



<b>sabena</b> <sup>®</sup> <b>B707</b>	Module: PYLON 3	A/C Reg :	Check :	 <b>U1F2000503</b>
	Oper. : RT-MP LC			
	Type : MEC-INSP	Issuer : A43710	Cert.St.: 24828	
Spec. : MECH. INSP	Release Date: 16.10.2001		Page 1 of 2	

**ENG #3 ENG MOUNT INSP**

Execution / Start Date:	
End Date:	

MAINT	RII/INSP

**ENG #3 ENG MOUNT INSP**

<b>sabena</b> B707	Module: PYLON 3	A/C Reg :	Check :	 <b>U1F2000503</b> Page 2 of 2
	Oper. : RT-MP LC	Issuer : A43710	Cert.St.: 24828	
	Type : MEC-INSP	Release Date: 16.10.2001		
	Spec. : MECH. INSP			

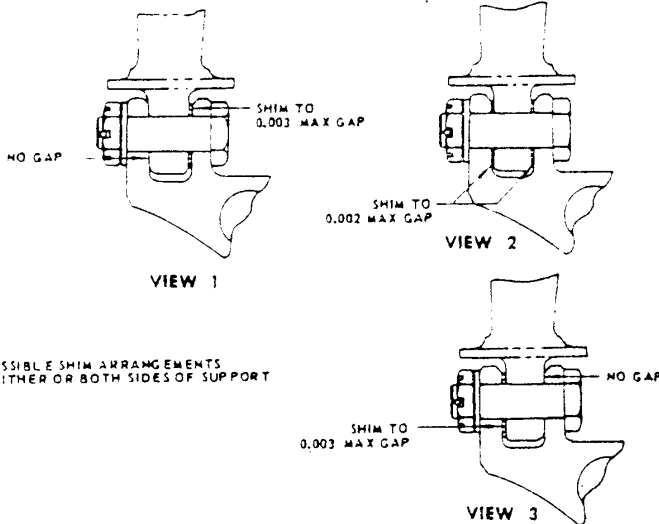
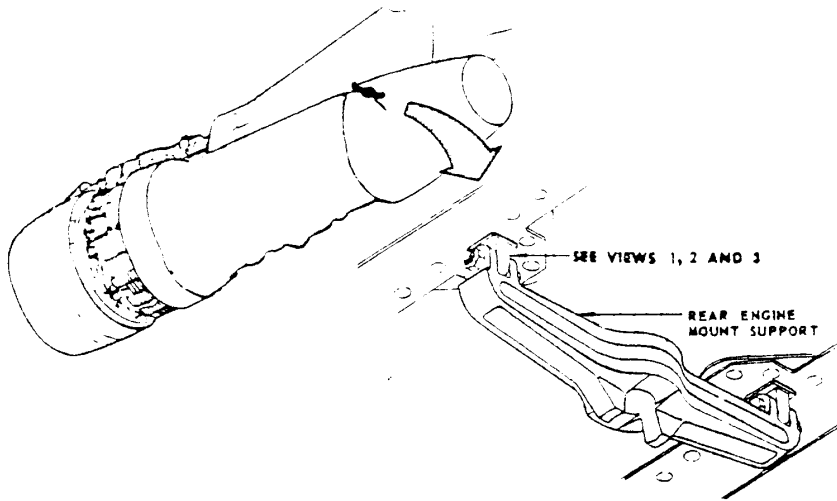
**ENG #3 ENG MOUNT INSP**

					MAINT	RII/INSP
Nr.	Hardtime	Task	Spec.	Related Documents		
1.		E3	INS	MMS-328 544310 11001 rev 15/05/01		
Check: C						
Zones: 457						
Access:						

**CONDITION: ENGINE COWLING REMOVED.**

**ENGINE #3 ATTACH FITTINGS INSPECTION.**

Detailed visual inspection of the rear engine support bracket .



PERMISSIBLE SHIM ARRANGEMENTS FOR EITHER OR BOTH SIDES OF SUPPORT

Engine Rear Mount Support