



sabena [®] B707	Module: PYLON 3	A/C Reg :	Check :	 U1F3000501
	Oper. : RT-MP LC			
	Type : STRUCT-INSP	Issuer : A59513	Cert.St.: 46928	
Spec. : MECH. INSP	Release Date: 24.11.2005		Page 1 of 4	

AD 85-12-01 PYLON 3 OUTBD VERT SUPPORT FITTING INSP

		MAINT	RII/INSP
Execution / Start Date:			
End Date:			

AD 85-12-01 PYLON 3 OUTBD VERT SUPPORT FITTING INSP

sabena B707	Module: PYLON 3	A/C Reg :	Check :	 U1F3000501 Page 2 of 4
	Oper. : RT-MP LC	Issuer : A59513	Cert.St.: 46928	
	Type : STRUCT-INSP	Release Date: 24.11.2005		
	Spec. : MECH. INSP			

AD 85-12-01 PYLON 3 OUTBD VERT SUPPORT FITTING INSP

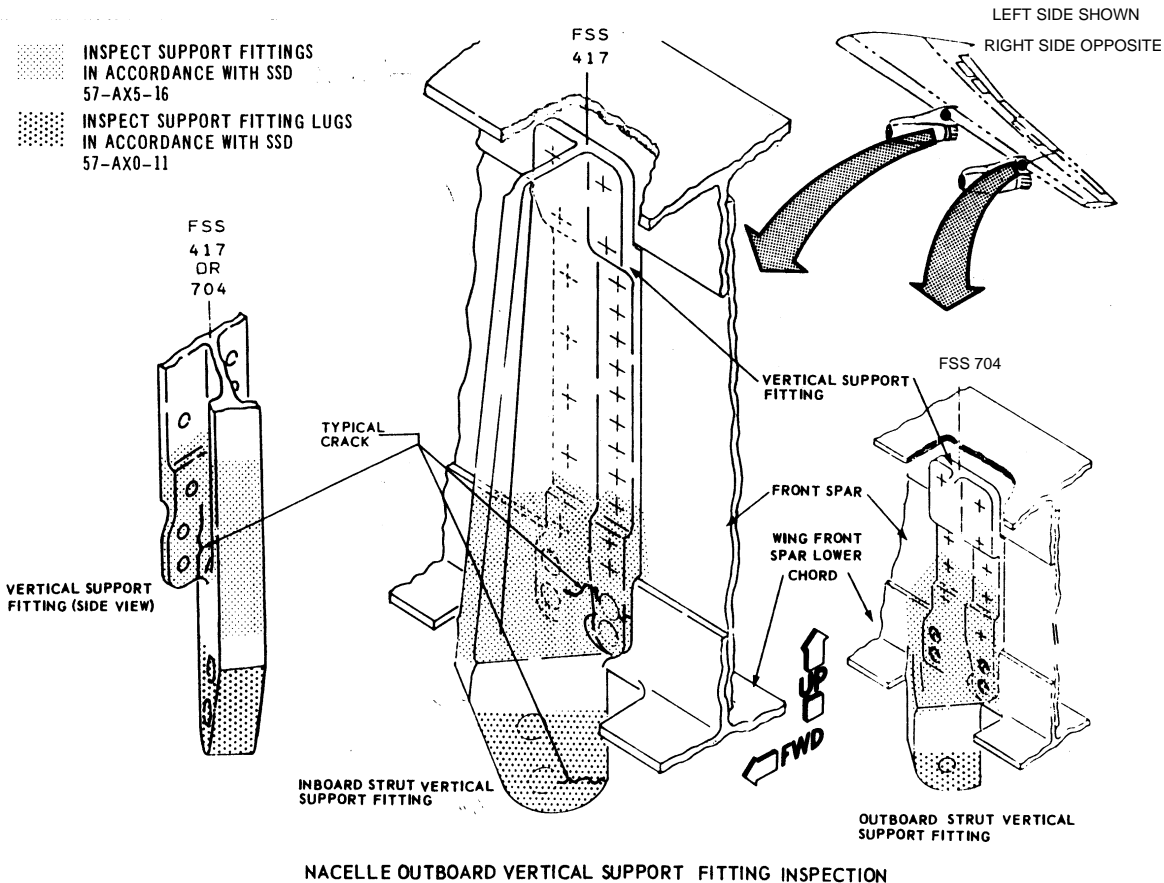
					MAINT	RII/INSP
Nr.	Hardtime	Task	Spec.	Related Documents		
1.	19980 CYC	E3	INS	AD 85-12-01 R1 rev 5439 MMS-328 544370 04000 rev 15.07.05 SB 57-3366 rev . SSID 57-A40-11/A rev .		
Check: B						
Zones: 457						
Access: 1713, 1715, 1722						
NRC YES <input type="radio"/> NO <input type="radio"/> IF YES, NUMBER(S):						


NACELLE # 3 OUTBD VERT SUPPORT FITTING, INBD & OUTBD.

CLOSE VISUAL, **INTERNAL** :

Inspect outbd vertical support fitting lugs for cracks, especially at the connection to the FWD DRAG FITTING.

NOTA : Threshold = A/C new time or time from new fitting installation per SB 3366. _



sabena B707	Module: PYLON 3	A/C Reg :	Check :	 U1F3000501 Page 3 of 4
	Oper. : RT-MP LC	Issuer : A59513	Cert.St.: 46928	
	Type : STRUCT-INSP	Release Date: 24.11.2005		
	Spec. : MECH. INSP			

AD 85-12-01 PYLON 3 OUTBD VERT SUPPORT FITTING INSP

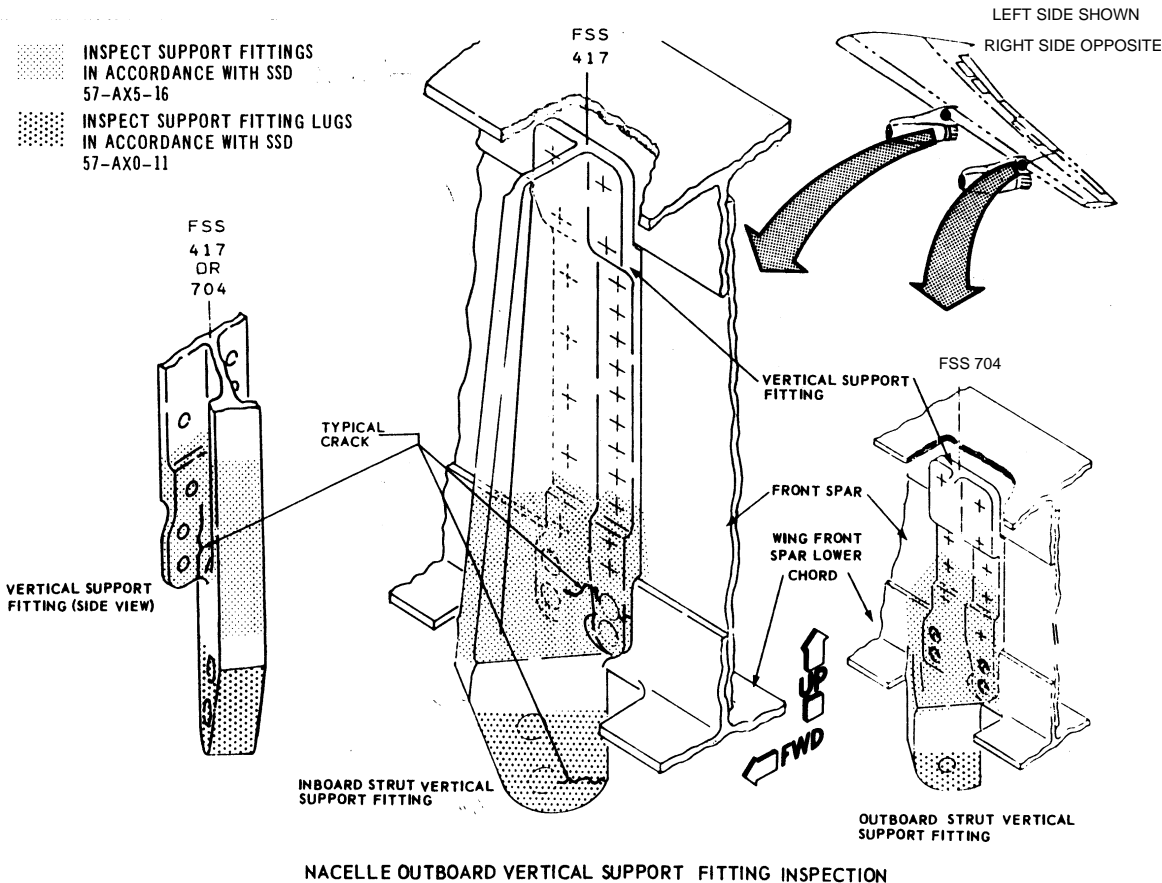
					MAINT	RII/INSP	
Nr.	Hardtime	Task	Spec.	Related Documents			
2.	20014 CYC	E3	INS	AD 85-12-01 R1 rev 5439 MMS-328 544370 04000 rev 15.07.05 SB 57-3366 rev . SSID 57-A40-11/A rev .			
Check: B							
Zones: 457							
Access: 1713, 1715, 1722							
NRC YES <input type="radio"/> NO <input type="radio"/>		IF YES, NUMBER(S):					


NACELLE # 3 OUTBD VERT SUPPORT FITTING, INBD & OUTBD.

CLOSE VISUAL, INTERNAL :

Inspect outbd vertical support fitting lugs for cracks, especially at the connection to the FWD DRAG FITTING.

NOTA : Threshold = A/C new time or time from new fitting installation per SB 3366. _



sabena B707	Module: PYLON 3	A/C Reg :	Check :	 U1F3000501 Page 4 of 4
	Oper. : RT-MP LC	Issuer : A59513	Cert.St.: 46928	
	Type : STRUCT-INSP	Release Date: 24.11.2005		
Spec. : MECH. INSP				

AD 85-12-01 PYLON 3 OUTBD VERT SUPPORT FITTING INSP

					MAINT	RII/INSP
Nr.	Hardtime	Task	Spec.	Related Documents		
3.		E3	INS	AD 85-12-01 R1 rev 5439 MMS-328 544370 04000 rev 15.07.05 SB 57-3366 rev . SSID 57-A40-11/A rev .		
Check: B						
Zones: 457						
Access: 1713, 1715, 1722						
NRC YES <input type="radio"/> NO <input type="radio"/>		IF YES, NUMBER(S):				

NACELLE # 3 OUTBD VERT SUPPORT FITTING, INBD & OUTBD.

CLOSE VISUAL, **INTERNAL** :

Inspect outbd vertical support fitting lugs for cracks, especially at the connection to the FWD DRAG FITTING.

NOTA : Threshold = A/C new time or time from new fitting installation per SB 3366. _

