



<b>sabena</b> <sup>®</sup> <b>B707</b>	Module: PYLON 3	A/C Reg :	Check :	 <b>U1F3000502</b>
	Oper. : RT-MP LC			
	Type : STRUCT-INSP	Issuer : A59513	Cert.St.: 46928	
Spec. : MECH. INSP	Release Date: 24.11.2005		Page 1 of 4	

AD 85-12-01      PYLON 3 FWD DRAG SUPPORT FITTING INSP

		MAINT	RII/INSP
Execution / Start Date:			
End Date:			

AD 85-12-01      PYLON 3 FWD DRAG SUPPORT FITTING INSP

<b>sabena</b> <b>B707</b>	Module: PYLON 3	A/C Reg :	Check :	 <b>U1F3000502</b>
	Oper. : RT-MP LC			
	Type : STRUCT-INSP	Issuer : A59513	Cert.St.: 46928	<b>Page 2 of 4</b>
Spec. : MECH. INSP	Release Date: 24.11.2005			

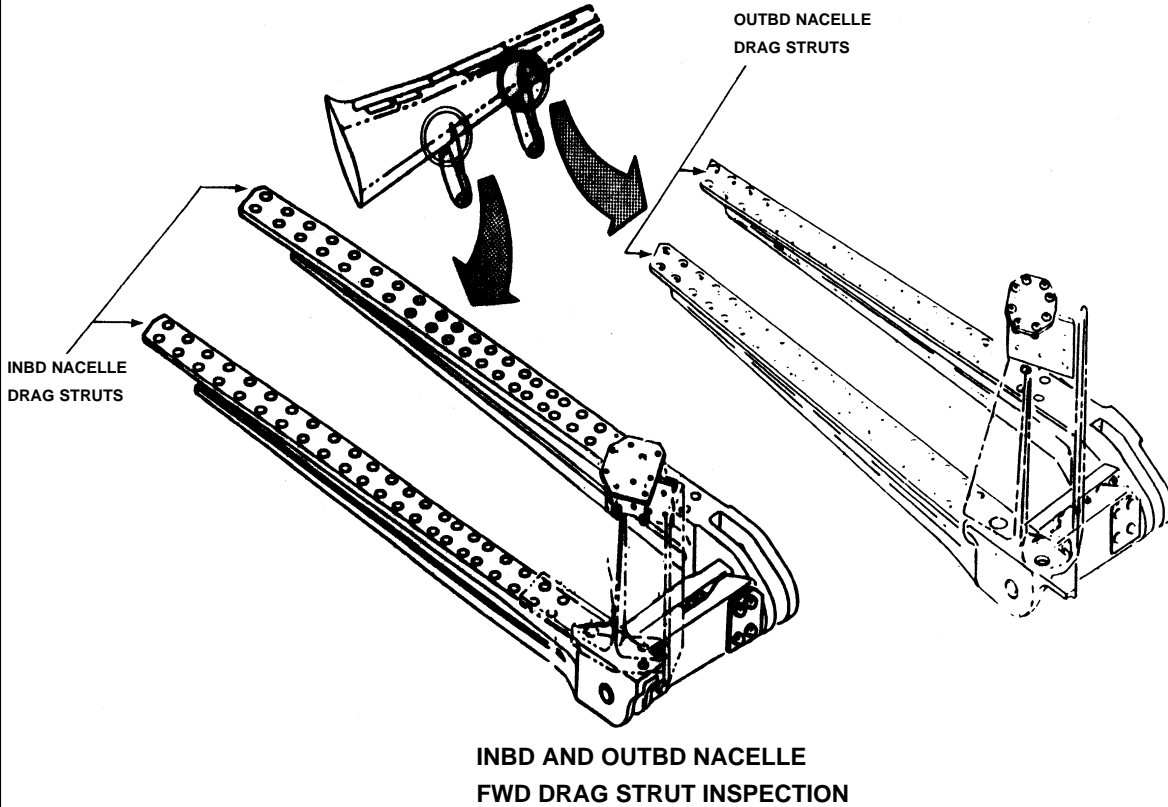
**AD 85-12-01 PYLON 3 FWD DRAG SUPPORT FITTING INSP**


					MAINT	RII/INSP
Nr.	Hardtime	Task	Spec.	Related Documents		
1.	19980 CYC	E3	INS	AD 85-12-01 R1 rev 5439 MMS-328 544370 05000 rev 15.07.05 SSID 57-A40-12/A rev .		
<b>Check:</b> B						
<b>Zones:</b> 457						
<b>Access:</b> 1715						
NRC YES <input type="radio"/> NO <input type="radio"/>		IF YES, NUMBER(S):				

**NACELLE # 3 FWD DRAG SUPPORT FITTING.**

CLOSE VISUAL, INTERNAL :

Inspect both inbd & outbd drag support fittings for cracks, paying particular attention to the LUGS & to the connection at the FRONT SPAR SUPPORT FITTING.



<b>sabena</b> <b>B707</b>	Module: PYLON 3	A/C Reg :	Check :	 <b>U1F3000502</b> <b>Page 3 of 4</b>
	Oper. : RT-MP LC	Issuer : A59513	Cert.St.: 46928	
	Type : STRUCT-INSP	Release Date: 24.11.2005		
Spec. : MECH. INSP				

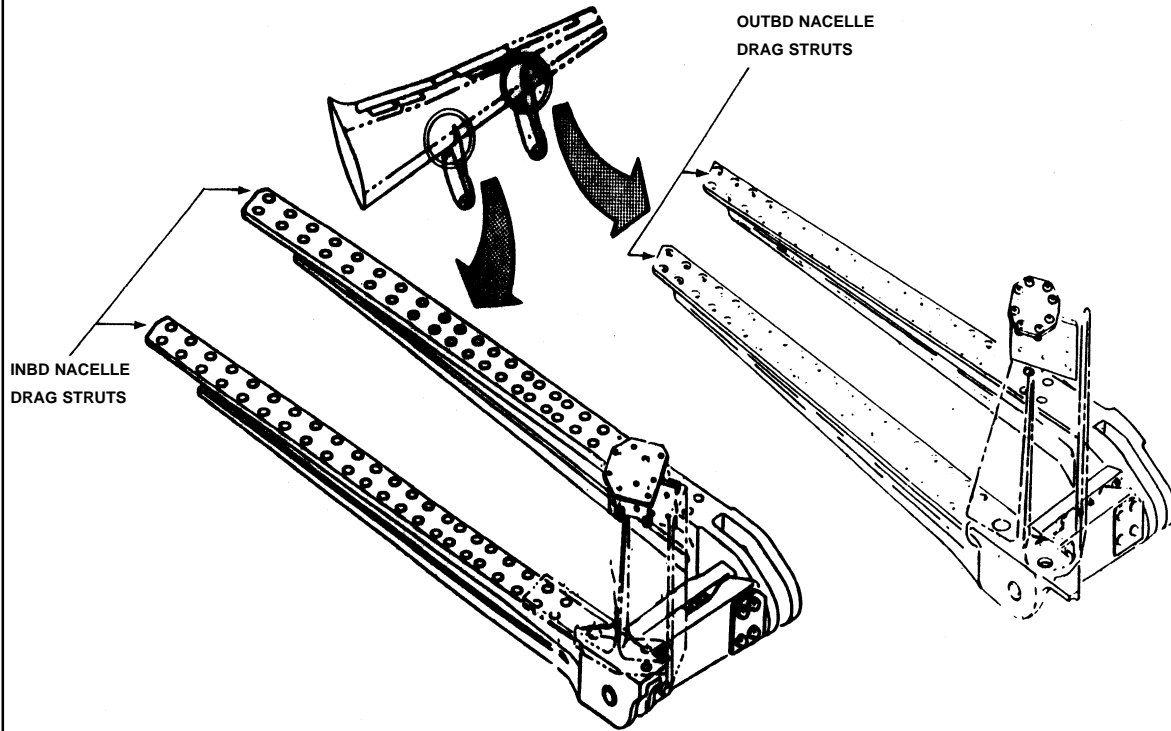
AD 85-12-01 PYLON 3 FWD DRAG SUPPORT FITTING INSP

					MAINT	RII/INSP	
Nr.	Hardtime	Task	Spec.	Related Documents			
2.	20014 CYC	E3	INS	AD 85-12-01 R1 rev 5439 MMS-328 544370 05000 rev 15.07.05 SSID 57-A40-12/A rev .			
<b>Check:</b> B							
<b>Zones:</b> 457							
<b>Access:</b> 1715							
NRC YES <input type="radio"/> NO <input type="radio"/>		IF YES, NUMBER(S):					


**NACELLE # 3 FWD DRAG SUPPORT FITTING.**

CLOSE VISUAL, **INTERNAL** :

Inspect both inbd & outbd drag support fittings for cracks, paying particular attention to the LUGS & to the connection at the FRONT SPAR SUPPORT FITTING.



**INBD AND OUTBD NACELLE  
FWD DRAG STRUT INSPECTION**

<b>sabena</b> <b>B707</b>	Module: PYLON 3	A/C Reg :	Check :	 <b>U1F3000502</b>
	Oper. : RT-MP LC			
	Type : STRUCT-INSP	Issuer : A59513	Cert.St.: 46928	<b>Page 4 of 4</b>
Spec. : MECH. INSP	Release Date: 24.11.2005			

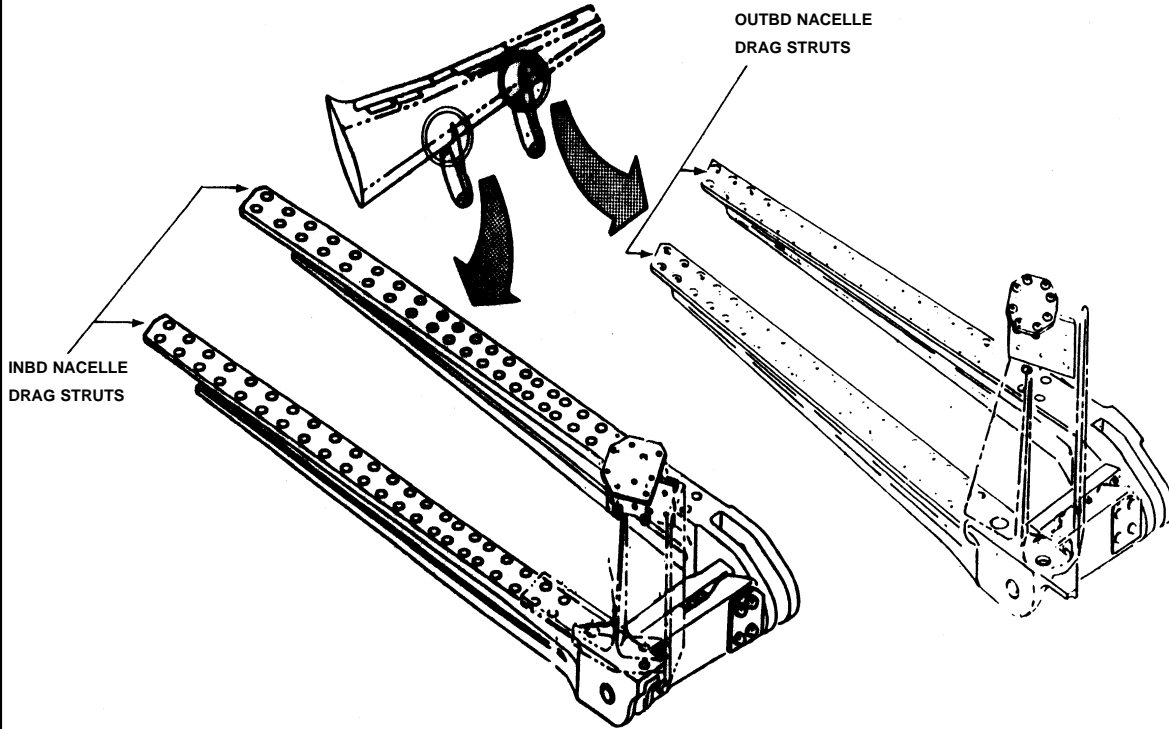
AD 85-12-01      PYLON 3 FWD DRAG SUPPORT FITTING INSP

					MAINT	RII/INSP	
Nr.	Hardtime	Task	Spec.	Related Documents			
3.		E3	INS	AD 85-12-01 R1 rev 5439 MMS-328 544370 05000 rev 15.07.05 SSID 57-A40-12/A rev .			
<b>Check:</b> B							
<b>Zones:</b> 457							
<b>Access:</b> 1715							
NRC YES <input type="radio"/> NO <input type="radio"/>		IF YES, NUMBER(S):					

**NACELLE # 3 FWD DRAG SUPPORT FITTING.**

CLOSE VISUAL, **INTERNAL** :

Inspect both inbd & outbd drag support fittings for cracks, paying particular attention to the LUGS & to the connection at the FRONT SPAR SUPPORT FITTING.



**INBD AND OUTBD NACELLE  
FWD DRAG STRUT INSPECTION**