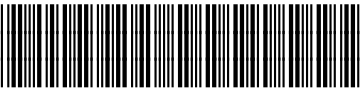



sabena [®] B707	Module: PYLON 4	A/C Reg :	Check :	 V1F3000500
	Oper. : RT-MP LC			
	Type : STRUCT-INSP	Issuer : A59513	Cert.St.: 46928	Page 1 of 4
Spec. : MECH. INSP	Release Date: 24.11.2005			

AD 85-12-01 PYLON 4 MID SPAR FITTINGS INSP

		MAINT	RII/INSP
Execution / Start Date:			
End Date:			

AD 85-12-01 PYLON 4 MID SPAR FITTINGS INSP

sabena B707	Module: PYLON 4	A/C Reg :	Check :	 V1F3000500
	Oper. : RT-MP LC			
	Type : STRUCT-INSP	Issuer : A59513	Cert.St.: 46928	Page 2 of 4
Spec. : MECH. INSP	Release Date: 24.11.2005			

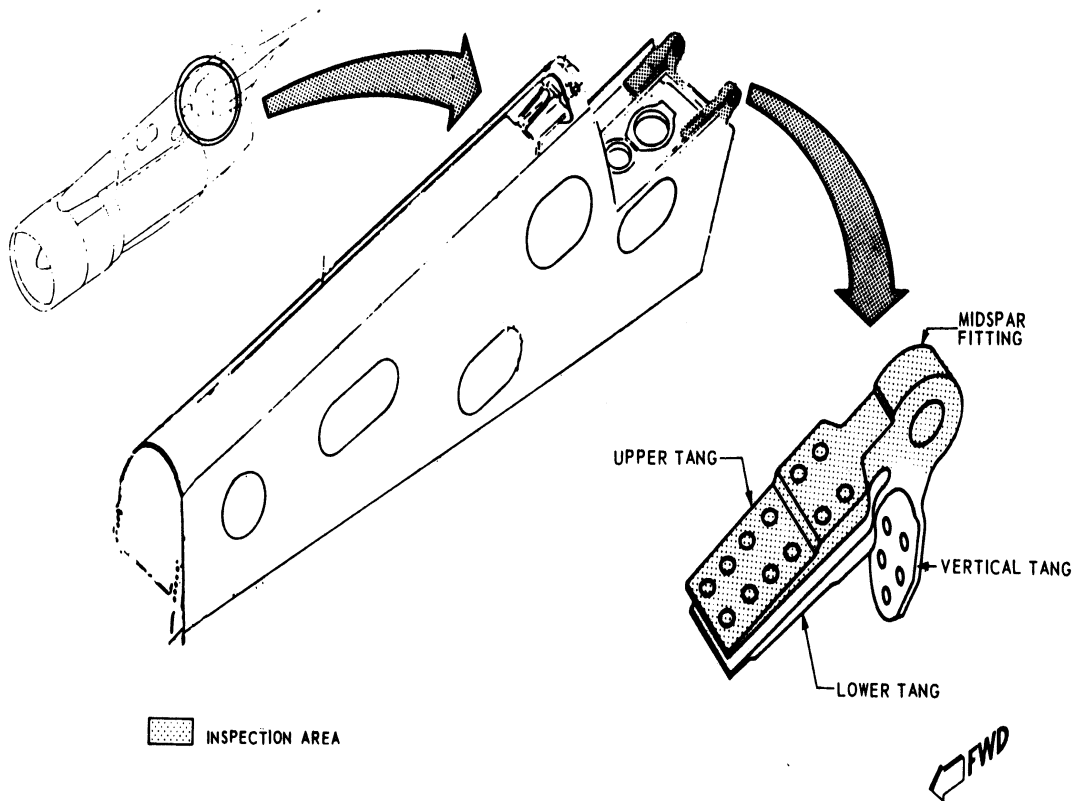
AD 85-12-01 PYLON 4 MID SPAR FITTINGS INSP

					MAINT	RII/INSP
Nr.	Hardtime	Task	Spec.	Related Documents		
1.	19980 CYC	E3	INS	AD 85-12-01 R1 rev 5439 MMS-328 544470 02001 rev 15.07.05 SSID 54-A40-02/A rev .		
Check: B						
Zones: 458						
Access: 1745, 1746, 1753, 1754						
NRC YES <input type="radio"/> NO <input type="radio"/>		IF YES, NUMBER(S):				


NACELLE # 4 MID SPAR FITTINGS.

CLOSE VISUAL, **INTERNAL** :

Inspect both mid spar fittings for cracks in the UPPER HORIZONTAL TANG ROOT AREA IN THE FITTING LUGS.



MIDSPAR FITTINGS, OUTBD NACELLES

sabena B707	Module: PYLON 4	A/C Reg :	Check :	 V1F3000500
	Oper. : RT-MP LC			
	Type : STRUCT-INSP	Issuer : A59513	Cert.St.: 46928	Page 3 of 4
Spec. : MECH. INSP	Release Date: 24.11.2005			

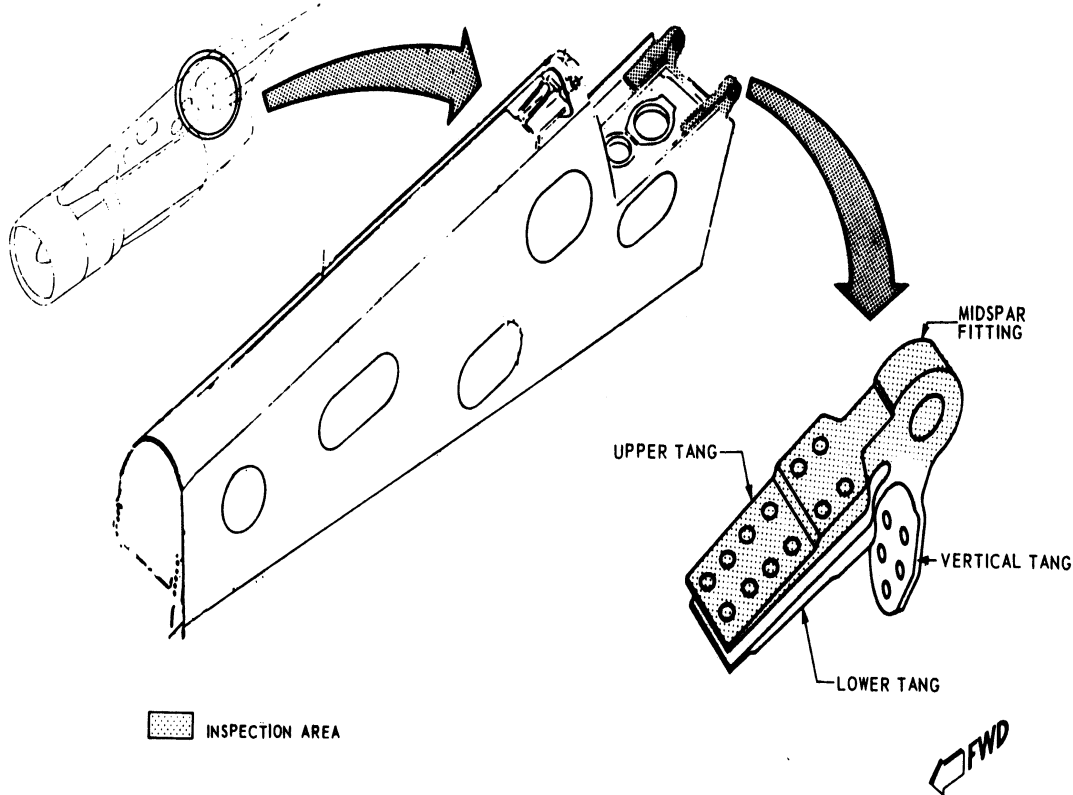
AD 85-12-01 PYLON 4 MID SPAR FITTINGS INSP

					MAINT	RII/INSP
Nr.	Hardtime	Task	Spec.	Related Documents		
2.	20014 CYC	E3	INS	AD 85-12-01 R1 rev 5439 MMS-328 544470 02001 rev 15.07.05 SSID 54-A40-02/A rev .		
Check: B						
Zones: 458						
Access: 1745, 1746, 1753, 1754						
NRC YES <input type="radio"/> NO <input type="radio"/>		IF YES, NUMBER(S):				


NACELLE # 4 MID SPAR FITTINGS.

CLOSE VISUAL, **INTERNAL** :

Inspect both mid spar fittings for cracks in the UPPER HORIZONTAL TANG ROOT AREA IN THE FITTING LUGS.



MIDSPAR FITTINGS, OUTBD NACELLES

sabena B707	Module: PYLON 4	A/C Reg :	Check :	 V1F3000500
	Oper. : RT-MP LC			
	Type : STRUCT-INSP	Issuer : A59513	Cert.St.: 46928	Page 4 of 4
Spec. : MECH. INSP	Release Date: 24.11.2005			

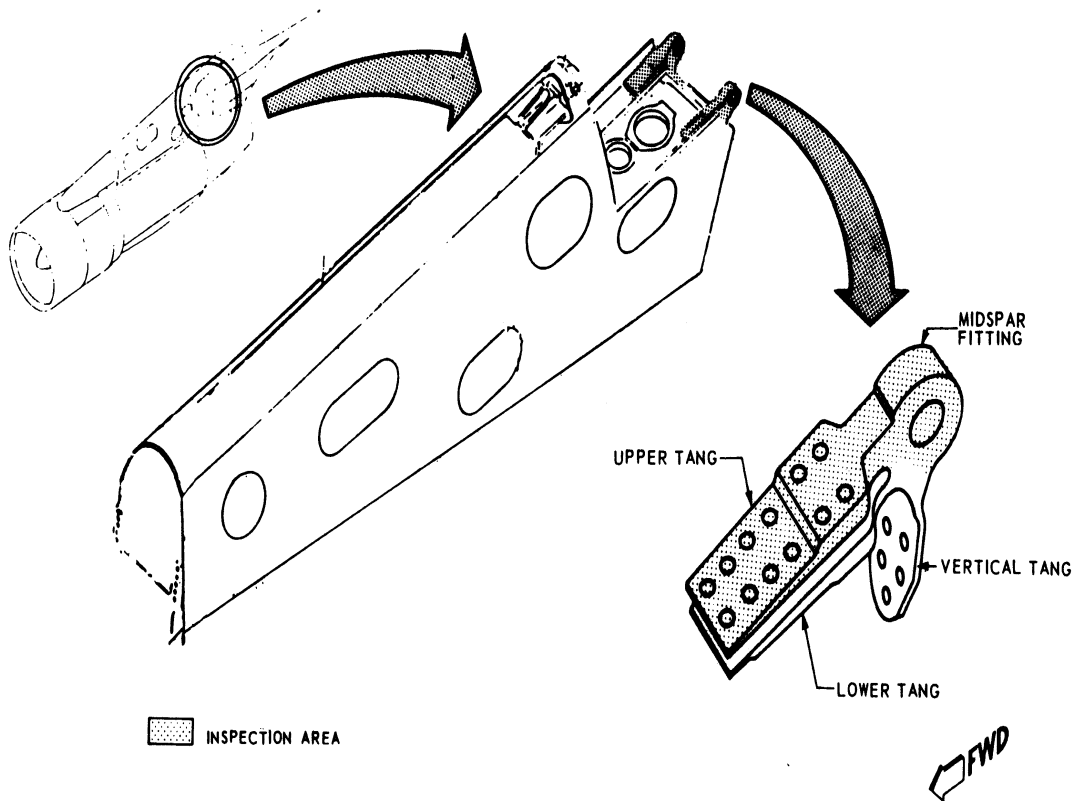
AD 85-12-01 PYLON 4 MID SPAR FITTINGS INSP

					MAINT	RII/INSP
Nr.	Hardtime	Task	Spec.	Related Documents		
3.		E3	INS	AD 85-12-01 R1 rev 5439 MMS-328 544470 02001 rev 15.07.05 SSID 54-A40-02/A rev .		
Check: B Zones: 458 Access: 1745, 1746, 1753, 1754						
NRC YES <input type="radio"/> NO <input type="radio"/>		IF YES, NUMBER(S):				

NACELLE # 4 MID SPAR FITTINGS.

CLOSE VISUAL, **INTERNAL** :

Inspect both mid spar fittings for cracks in the UPPER HORIZONTAL TANG ROOT AREA IN THE FITTING LUGS.



MIDSPAR FITTINGS, OUTBD NACELLES