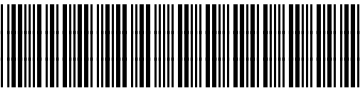



sabena [®] B707	Module: PYLON 4	A/C Reg :	Check :	 V1F3000504
	Oper. : RT-MP LC			
	Type : STRUCT-INSP	Issuer : A59513	Cert.St.: 46928	Page 1 of 4
Spec. : MECH. INSP	Release Date: 23.11.2005			

NACELLE STRUT # 4 STRUCT EXTERNAL INSP

Execution / Start Date:	
End Date:	

MAINT	RII/INSP

sabena B707	Module: PYLON 4	A/C Reg :	Check :	 V1F3000504 Page 2 of 4
	Oper. : RT-MP LC	Issuer : A59513	Cert.St.: 46928	
	Type : STRUCT-INSP	Release Date: 23.11.2005		
Spec. : MECH. INSP				

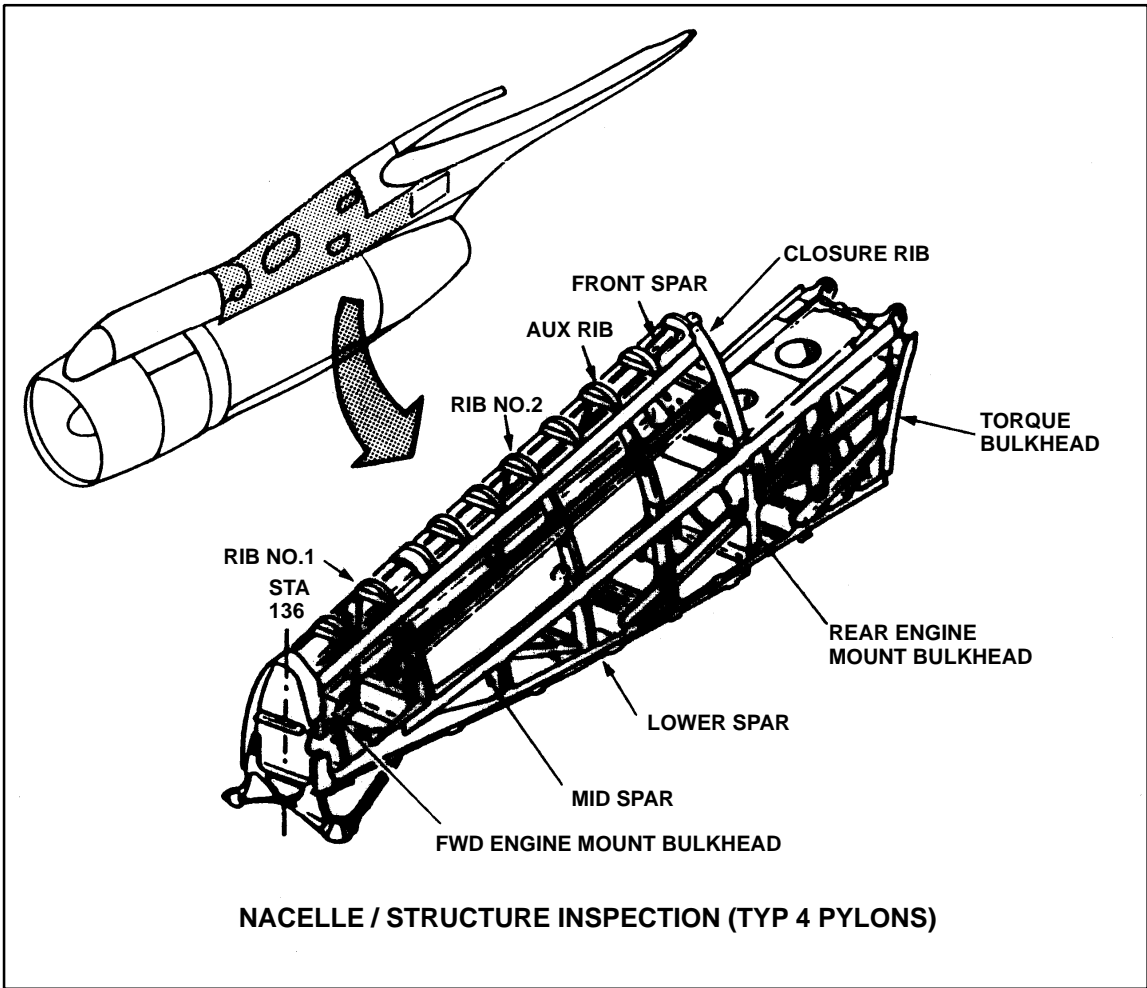
NACELLE STRUT # 4 STRUCT EXTERNAL INSP

					MAINT	RII/INSP
Nr.	Hardtime	Task	Spec.	Related Documents		
1.	19000 CYC	E3	INS	AD 85-12-01 R1 rev 5439 MMS-328 541470 01001 rev 15.07.05 SSID 54-A40-03/A rev .		
Check: B						
Zones: 458						
Access:						
NRC YES <input type="radio"/> NO <input type="radio"/>		IF YES, NUMBER(S):				


NACELLE / STRUT # 4 STRUCTURE:

CLOSE VISUAL, EXTERNAL:

Inspect for cracks in nacelle strut skin, paying particular attention to the areas adjacent to the SPARS, BULKHEADS, RIBS & especially near the STRUT & ENG SUPPORT FITTINGS.



NACELLE / STRUCTURE INSPECTION (TYP 4 PYLONS)

sabena B707	Module: PYLON 4	A/C Reg :	Check :	 V1F3000504 Page 3 of 4
	Oper. : RT-MP LC			
	Type : STRUCT-INSP	Issuer : A59513	Cert.St.: 46928	
	Spec. : MECH. INSP	Release Date: 23.11.2005		

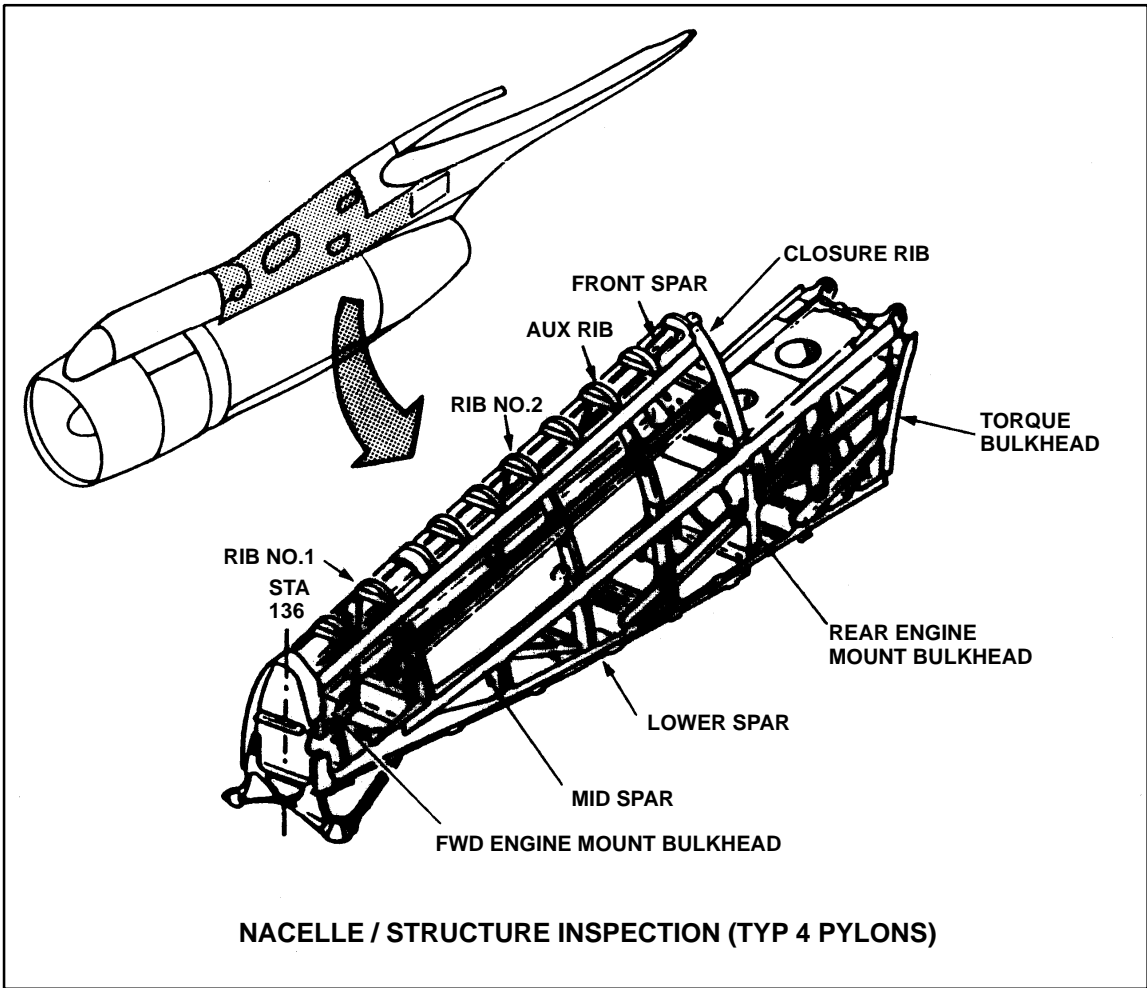
NACELLE STRUT # 4 STRUCT EXTERNAL INSP

					MAINT	RII/INSP
Nr.	Hardtime	Task	Spec.	Related Documents		
2.	19000 CYC	E3	INS	AD 85-12-01 R1 rev 5439 MMS-328 541470 01001 rev 15.07.05 SSID 54-A40-03/A rev .		
Check: B						
Zones: 458						
Access:						
NRC YES <input type="radio"/> NO <input type="radio"/>		IF YES, NUMBER(S):				


NACELLE / STRUT # 4 STRUCTURE:

CLOSE VISUAL, EXTERNAL:

Inspect for cracks in nacelle strut skin, paying particular attention to the areas adjacent to the SPARS, BULKHEADS, RIBS & especially near the STRUT & ENG SUPPORT FITTINGS.



NACELLE / STRUCTURE INSPECTION (TYP 4 PYLONS)

sabena B707	Module: PYLON 4	A/C Reg :	Check :	 V1F3000504 Page 4 of 4
	Oper. : RT-MP LC	Issuer : A59513	Cert.St.: 46928	
	Type : STRUCT-INSP	Release Date: 23.11.2005		
Spec. : MECH. INSP				

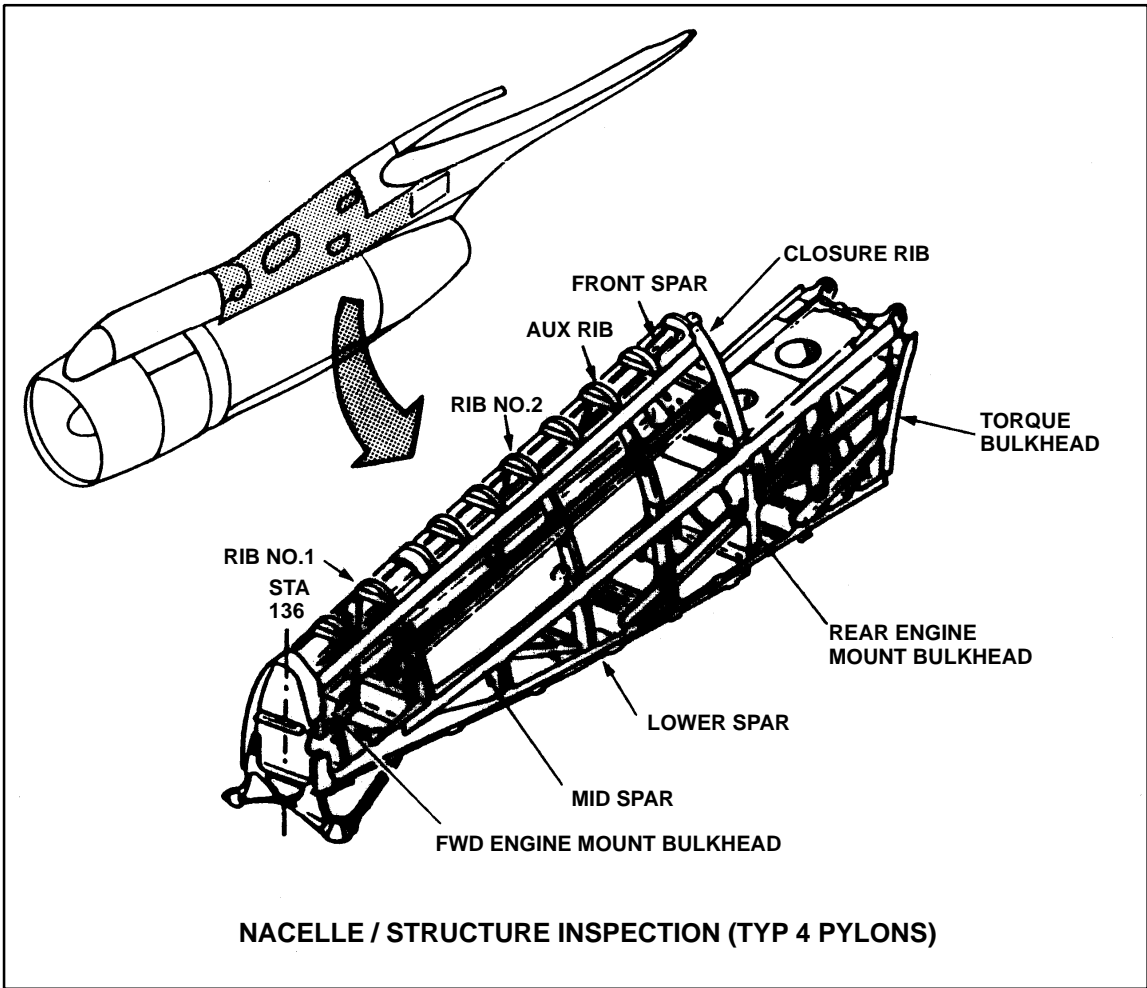
NACELLE STRUT # 4 STRUCT EXTERNAL INSP

					MAINT	RII/INSP
Nr.	Hardtime	Task	Spec.	Related Documents		
3.		E3	INS	AD 85-12-01 R1 rev 5439 MMS-328 541470 01001 rev 15.07.05 SSID 54-A40-03/A rev .		
Check: B Zones: 458 Access:						
NRC YES <input type="radio"/> NO <input type="radio"/>		IF YES, NUMBER(S):				

NACELLE / STRUT # 4 STRUCTURE:

CLOSE VISUAL, EXTERNAL:

Inspect for cracks in nacelle strut skin, paying particular attention to the areas adjacent to the SPARS, BULKHEADS, RIBS & especially near the STRUT & ENG SUPPORT FITTINGS.



NACELLE / STRUCTURE INSPECTION (TYP 4 PYLONS)