

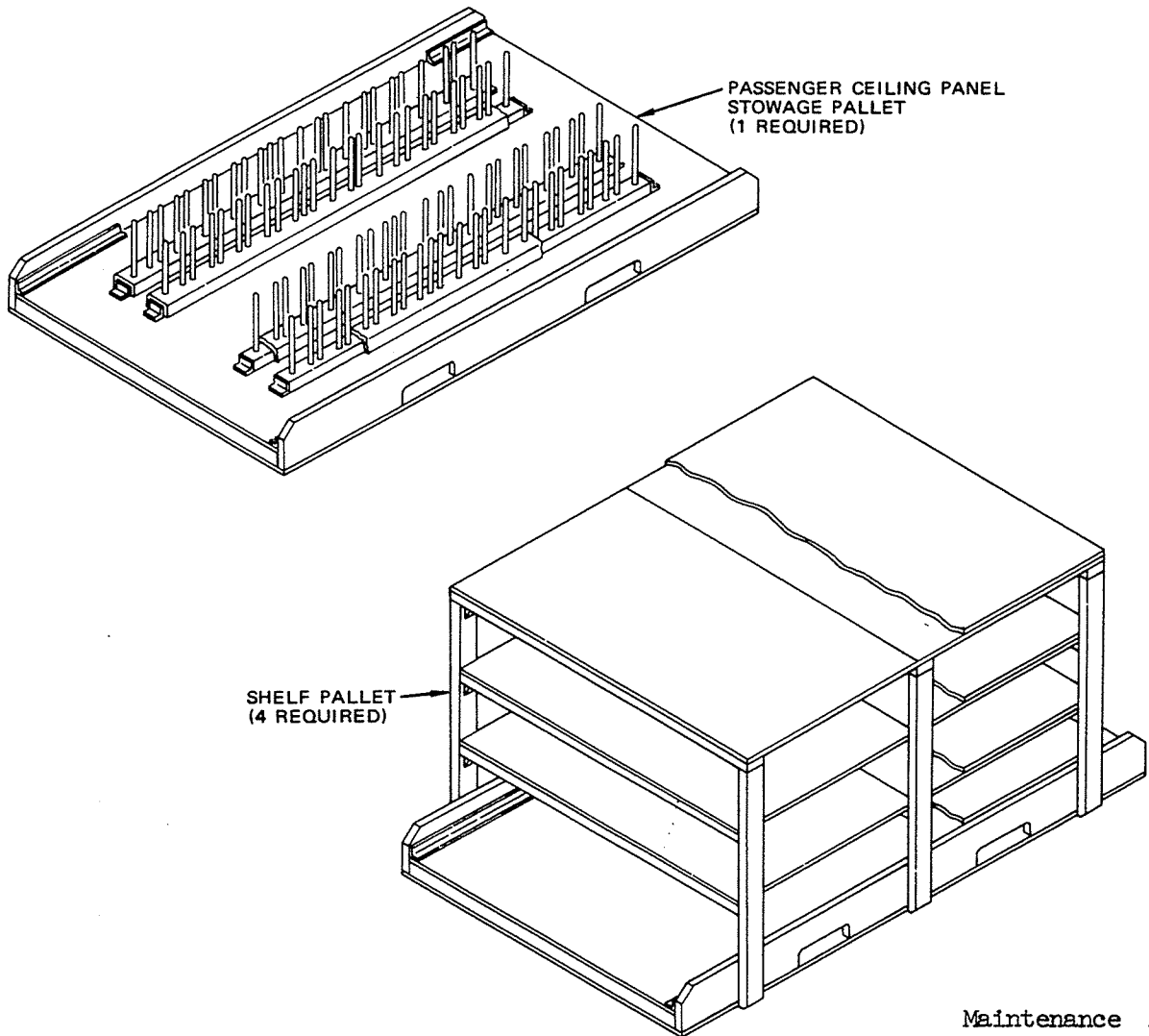
BOEING
Commercial Jet
**ILLUSTRATED
TOOL AND EQUIPMENT LIST**

PART NUMBER: F70247-1

Name.....Stowage Pallets - New Interior and Protective Cargo Panels

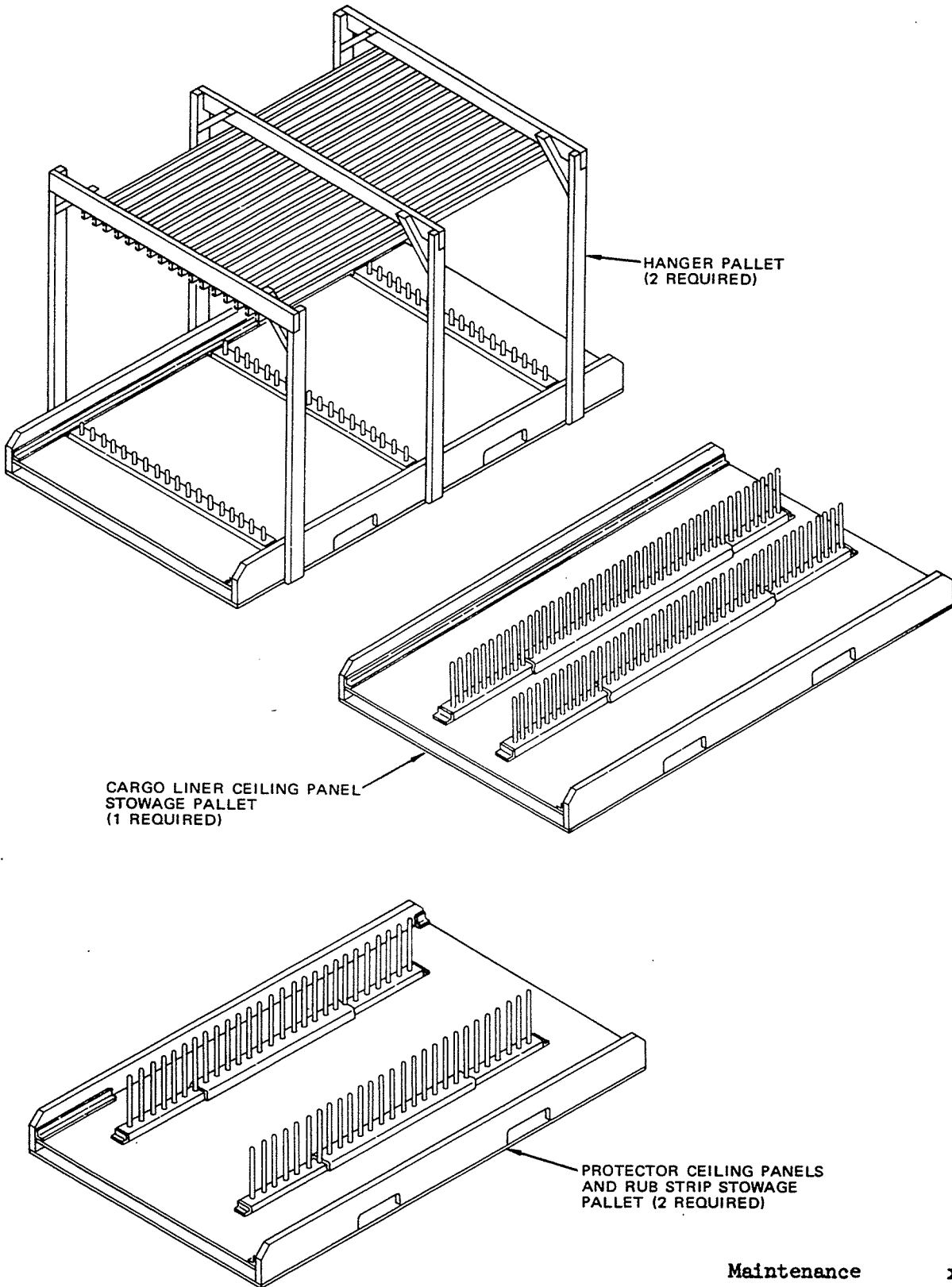
Usage.....To handle and store interior trim components and cargo protective panels for the convertible aircraft with new look interior.

Description.....This tool consists of a set of ten pallets 6 feet by 10-1/2 feet. They have fork lift slots for handling and racks and shelves constructed on top. Six of the pallets are designed to handle and store aircraft components when the airplane is in the cargo configuration and four pallets handle and store protective panels used in the cargo configuration.



Maintenance x
Overhaul

BOEING *Commercial Jet*
**ILLUSTRATED
 TOOL AND EQUIPMENT LIST**



HANGER PALLET
 (2 REQUIRED)

CARGO LINER CEILING PANEL
 STORAGE PALLET
 (1 REQUIRED)

PROTECTOR CEILING PANELS
 AND RUB STRIP STORAGE
 PALLET (2 REQUIRED)

Maintenance x
 Overhaul

New Interior and Protective Cargo Panels Storage Pallets
 Sheet 2

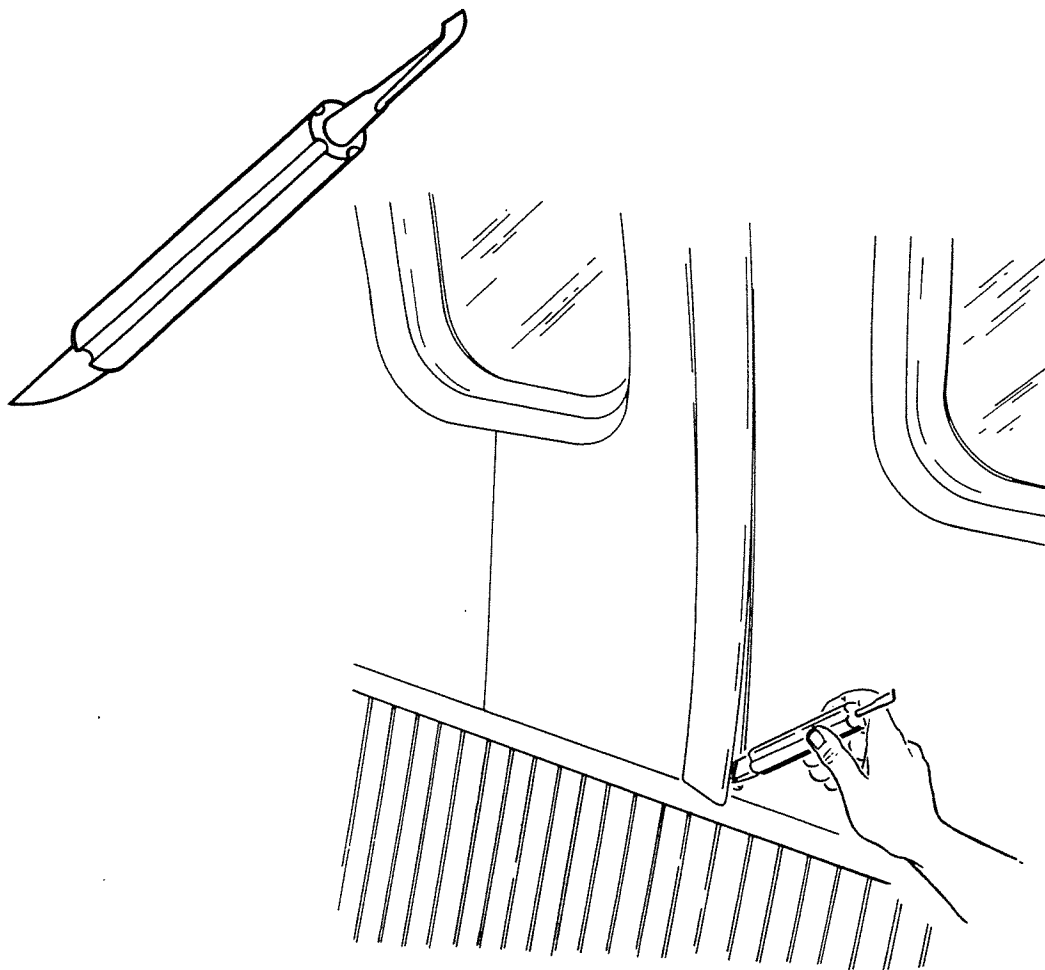
BOEING *Commercial Jet*
ILLUSTRATED
TOOL AND EQUIPMENT LIST

PART NUMBER: F70033

Name.....Remover Assembly - Interior Trim

Usage.....Used to remove the interior trim without marring or tearing the vinyl plastic covering of the cabin wall panels.

Description...The interior trim remover assembly is a combination plastic and steel tool .875 diameter x 7.60 inches long. The large end is made of plastic Tenite II, tool handle stock. It is shaped to a point and used to raise the trim off of the retainer. The small end has a steel hook which is inserted between the trim and retainer edge. It is drawn upward until the whole length of the trim is free from the retainer.



Maintenance x
Overhaul

Interior Trim Remover Assembly

707/720
Mar 20/73

~~BOEING~~ Commercial Jet
ILLUSTRATED
TOOL AND EQUIPMENT LIST

PART NUMBER: F70153,-500,-501

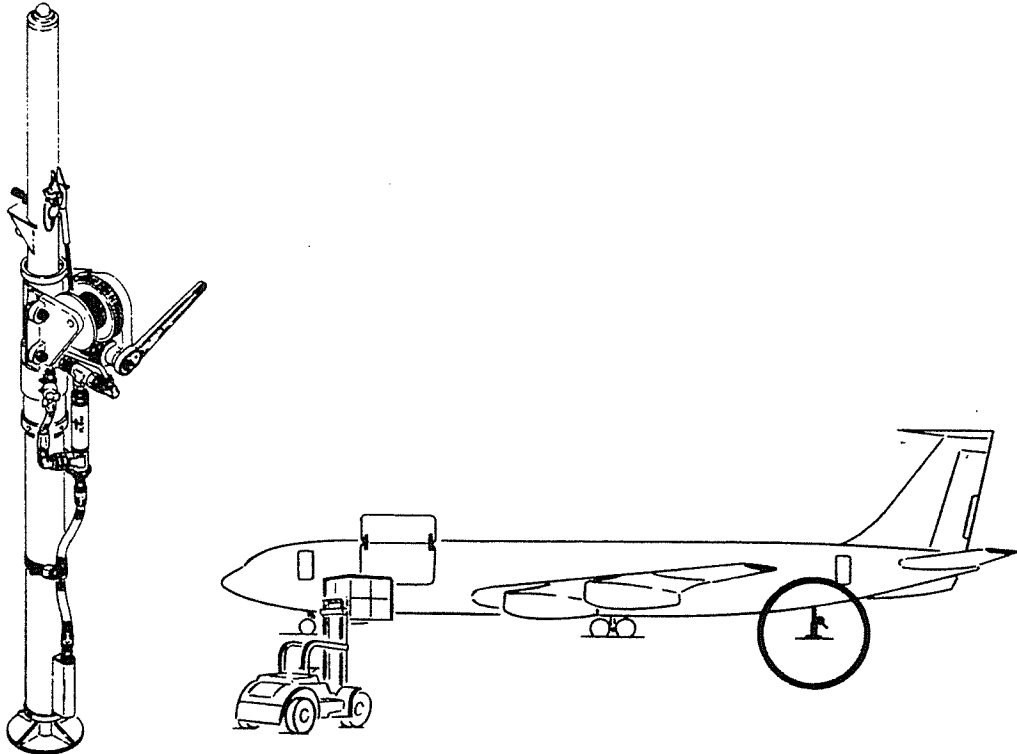
Name.....Strut Assembly - Cargo Loading Body Support

Usage.....The body support strut assembly mates with an adapter, mounted on the aft underside of the airplane fuselage, to dampen movement of the cargo door sill and prevent the airplane from tipping while cargo is being loaded or unloaded.

NOTE: For future procurement, order F70153-501.

Description...The strut assembly is an air-oil, double acting actuator with a hand crank mechanism to extend and retract the unit. Provisions are made inside the airplane for stowage on supports that attach to the seat tracks.

NOTE: See 707 Overhaul Manual, Chapter 25, for overhaul instructions on this unit.



Maintenance x
Overhaul

~~BOEING~~
Commercial Jet
**ILLUSTRATED
TOOL AND EQUIPMENT LIST**

PART NUMBER: F70174-1, -2, -3

Name.....Threshold Adapter Set - Cargo Loading

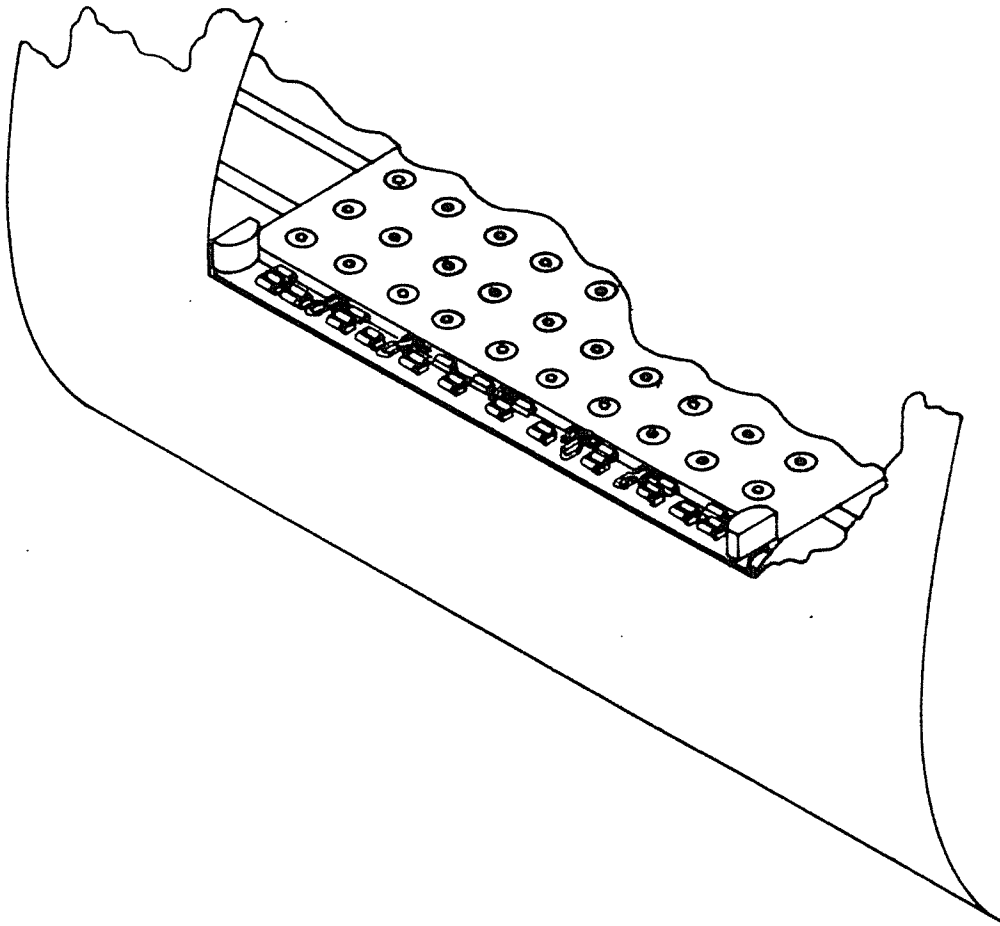
Usage.....The adapter set provides protection for the cargo threshold,
required pallet support and height adjustment for cargo loading.

NOTE: F70174-1 is nonadjustable and is used only on 727 low
profile configuration.

F70174-2 is adjustable and is used on 707-320, 727 high
profile configuration and 727 low profile configuration.

F70174-3 kit is required to convert F70174-1 to F70174-2.

Description...The adapter set consists of three interlocking assemblies (forward,
center and aft) and seven seat track attach fittings. The outboard
edge rests on the cargo door latch supports and the inboard edge
is fastened to the seat track with the seven seat track attach
fittings.



Maintenance x
Overhaul

Cargo Loading Threshold Adapter Set
(707)

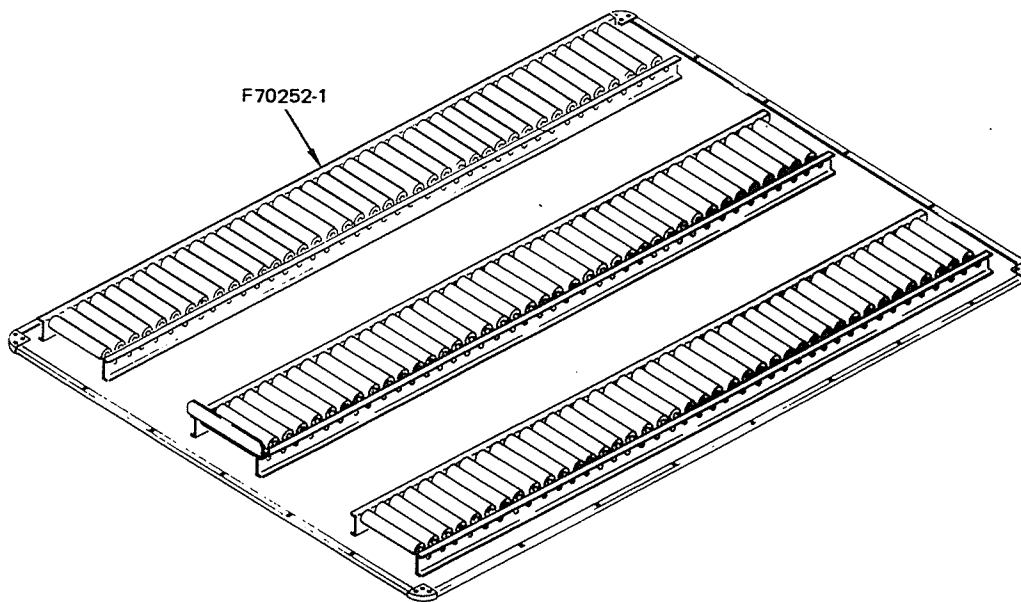
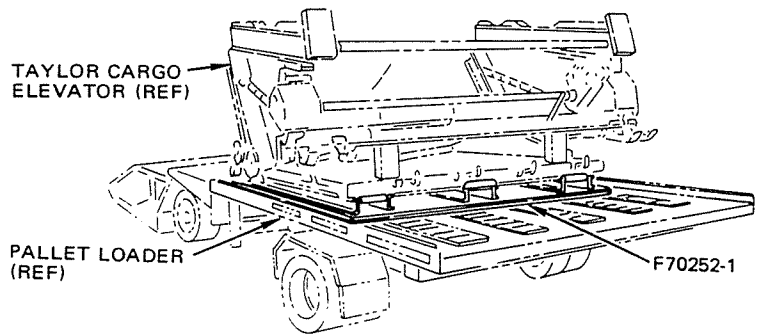
BOEING 
COMMERCIAL JET
ILLUSTRATED TOOL AND
EQUIPMENT LIST

PART NUMBER: F70252-1

Name.....Roller Pallet Adapter

Usage.....To adapt conventional pallet loaders, that have a side rail width of less than 102 inches, for installing or removing the Taylor Cargo Elevator. The Taylor Cargo Elevator is a flyaway "bootstrap" pallet loading device.

Description.....The adapter is an 88 inch by 125 inch pallet which has roller trays. The pallet is made from plywood or can be made from a standard pallet. The roller trays are 10-feet long and are bolted to the top of the pallet.



Maintenance x
Overhaul

707
Dec 20/78

Adapter, Roller Pallet

25-50
Page 3

