

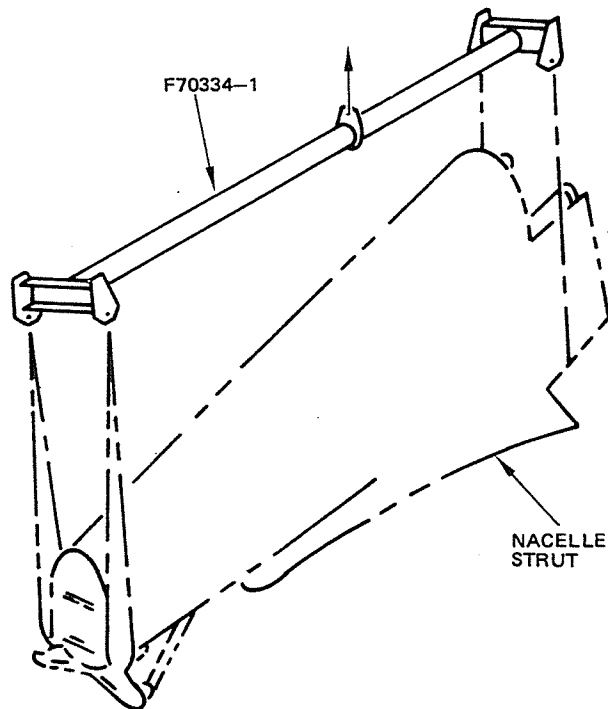
BOEING 
COMMERCIAL JET
ILLUSTRATED TOOL AND
EQUIPMENT LIST

PART NUMBER: F70334-1

Name.....Sling Assembly, Nacelle Strut Installation/Removal

Usage.....The F70334-1 sling is used to install or remove inboard and outboard 707 engine struts.

Description.....The sling is a built-up beam assembly with strap end fittings, nylon straps and hoist hook. Identification and proof load tags are attached.



Maintenance x
Overhaul

