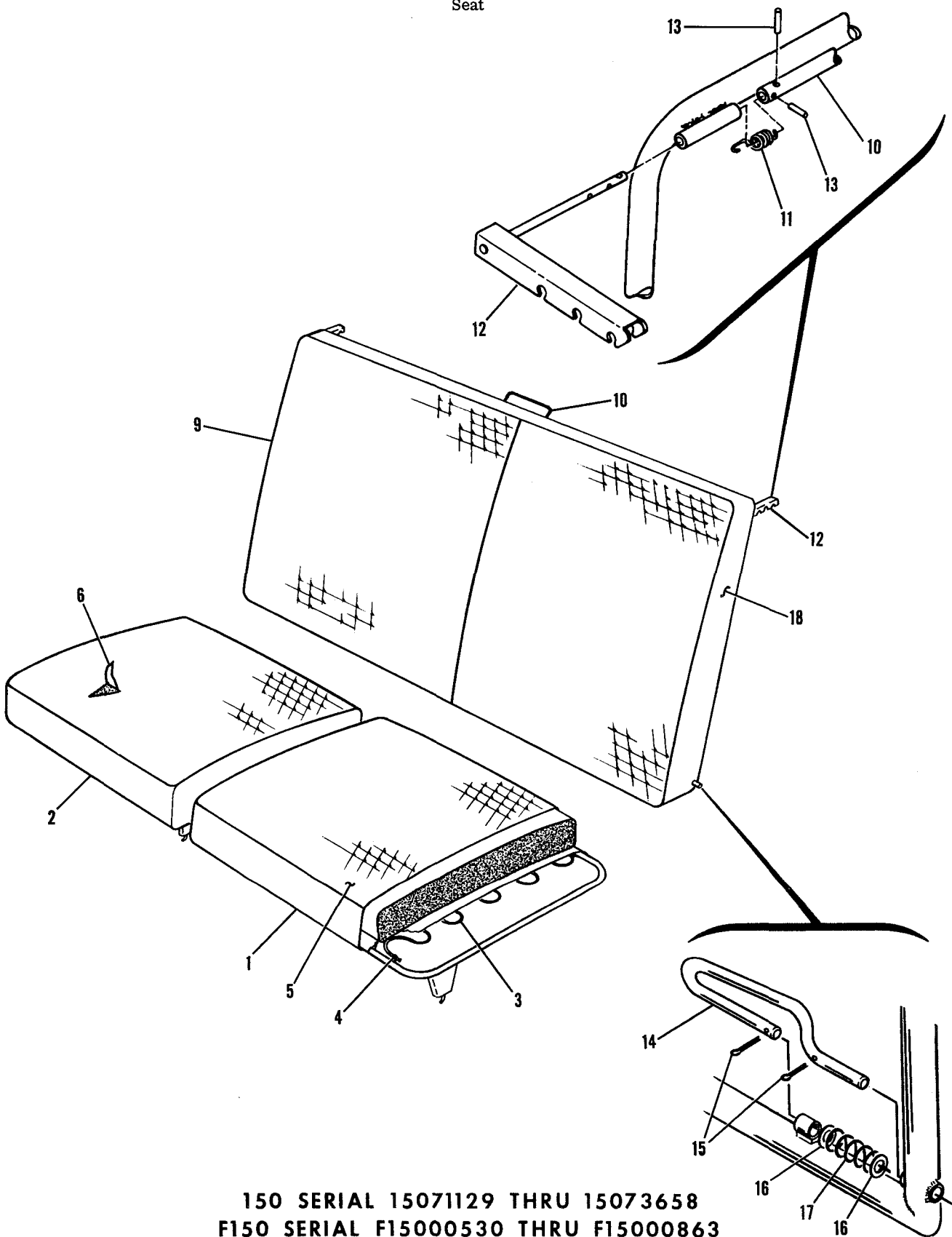


Seat

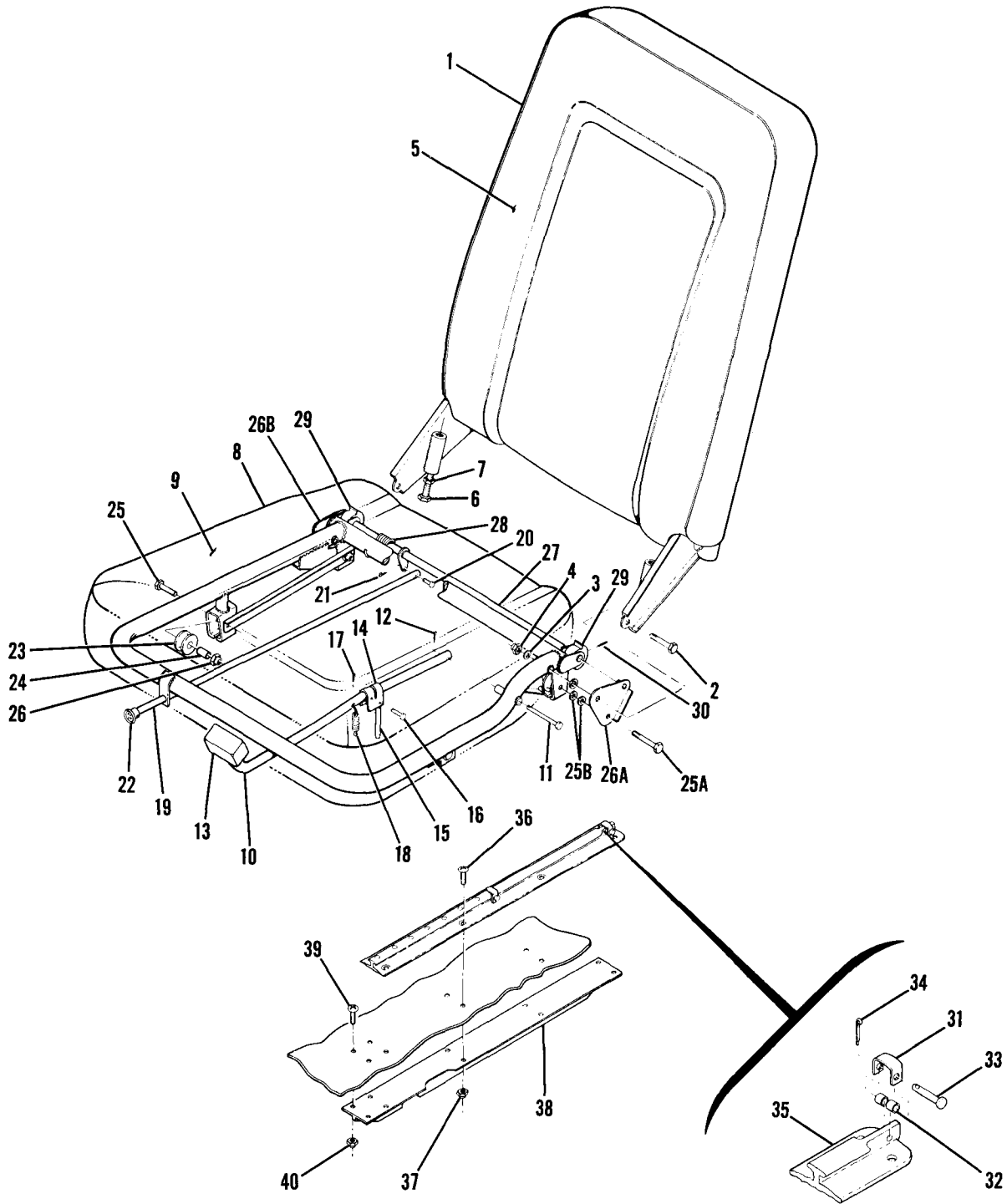


150 SERIAL 15071129 THRU 15073658
F150 SERIAL F15000530 THRU F15000863

Figure 43. Seat Installation

FIGURE AND INDEX NO.	PART NUMBER	DESCRIPTION	UNITS PER ASSY	USABLE ON CODE
43 -		1 2 3 4 5 6 7		
- 1	0411205-1 #	SEAT INSTALLATION -----	NP	A
- 2	0411205-2 #	CUSHION ASSEMBLY-SEAT BOTTOM LH -----	1	
- 3	0411794-7 #	CUSHION ASSEMBLY-SEAT BOTTOM RH -----	1	
- 4	S1146-1	SPRING -----	3	
- 5	0411205-201 #	CLIP -----	6	
- 6	0411205-200 #	COVER ASSEMBLY-SEAT BOTTOM LH -----	1	
- 7		COVER ASSEMBLY-SEAT BOTTOM RH -----	1	
- 8		DELETED -----		
- 9	0400119-1 #	DELETED -----		
-10	0411623	CUSHION ASSEMBLY-SEAT BACK -----	1	
-11	0511049	LATCH -----	1	
-12	0511049-1	SPRING-LATCH LH -----	1	
	0411935-1	SPRING-LATCH RH -----	1	
	0411935-2	LATCH ASSY-SEAT BACK LH -----	1	
		LATCH ASSY-SEAT BACK RH -----	1	
-13	NAS561P3-7	ATTACHING PARTS		
-14	0411938-1	ROLL PIN EN -----	2	
-15	MS24665-132	-----*		
-16	AN960-416L	PIN -----	1	
-17	0411818	ATTACHING PARTS		
-18	0400119-2 #	COTTER PIN -----	2	
		WASHER -----	2	
		SPRING -----	1	
		-----*		
		COVER ASSEMBLY-SEAT BACK UPHOLSTERY -----	1	
<p>NOTE. #THIS PART NUMBER MUST HAVE A SECOND DASH NUMBER ADDED TO DENOTE COLOR. REFER TO HOW TO ORDER UPHOLSTERED PARTS-PAGE VI.</p> <p>A---150 SERIAL 15071129 THRU 15073658 F150 SERIAL F15000530 THRU F15000863</p>				

Seat (Cont)



150 SERIAL 15071129 THRU 15072628
F150 SERIAL F15000530 THRU F15000738

Figure 44. Reclining Seat Installation

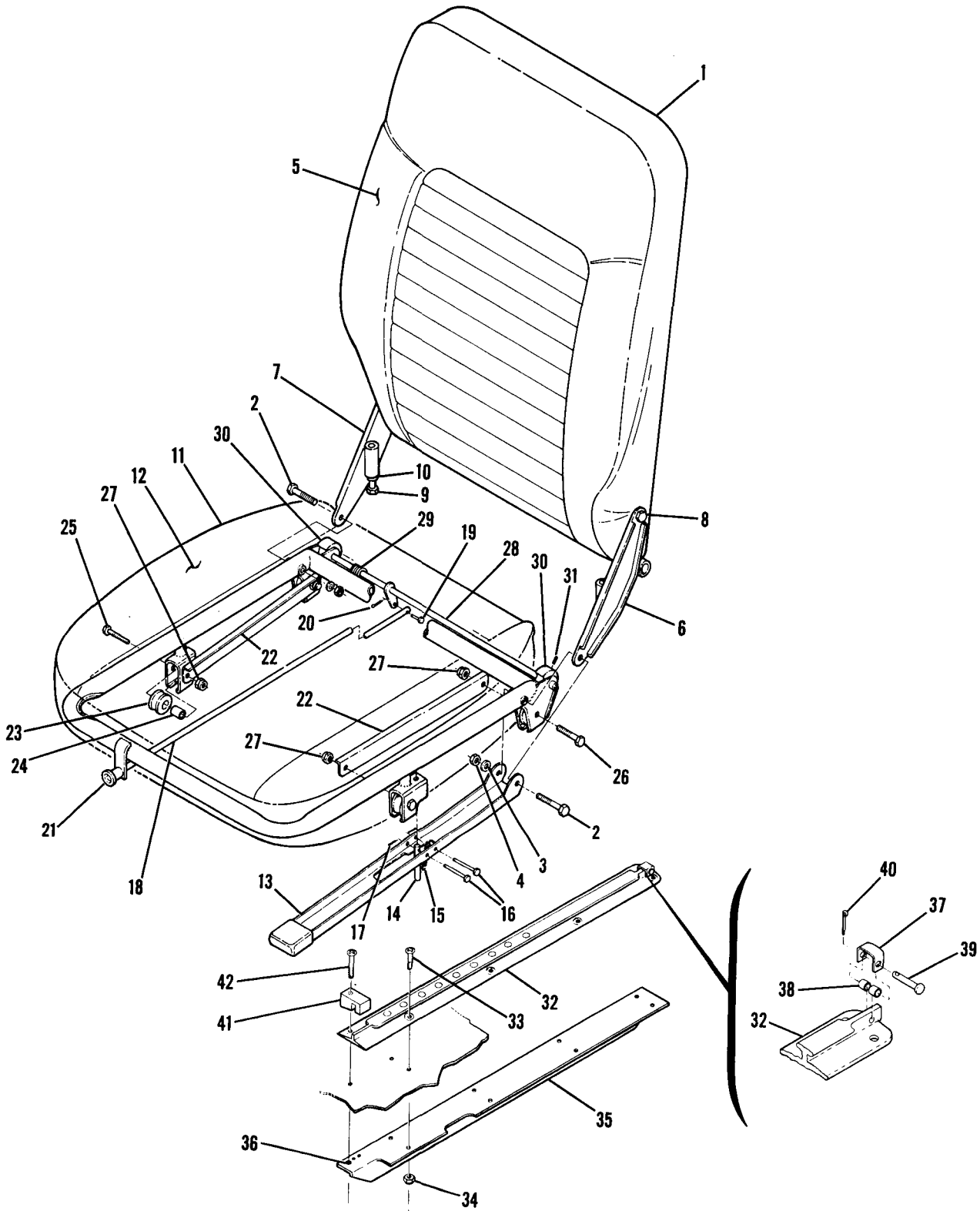
FIGURE AND INDEX NO.	PART NUMBER	DESCRIPTION	UNITS PER ASSY	USABLE ON CODE
		1 2 3 4 5 6 7		
44 -		RECLINING SEAT INSTALLATION -----	NP	A
	0414007-1 #	SEAT ASSEMBLY-RECLINING LH -----	1	B
	0414007-2 #	SEAT ASSEMBLY-RECLINING RH -----	1	B
	0414007-21 #	SEAT ASSEMBLY-RECLINING LH -----	1	C
	0414007-22 #	SEAT ASSEMBLY-RECLINING RH -----	1	C
- 1		SEAT BACK ASSEMBLY-UPHOLSTERED LH -----	NP	
		SEAT BACK ASSEMBLY-UPHOLSTERED RH -----	NP	
		ATTACHING PARTS		
- 2	AN3-13A	BOLT -----	2	B
	AN4-14A	BOLT -----	2	C
- 3	AN960-10	WASHER -----	2	B
	AN960-416	WASHER -----	AR	C
- 4	MS21044N3	NUT -----	2	B
	MS21042L4	NUT -----	2	C
		-----*		
- 5	0414007-17 #	COVER ASSEMBLY-SEAT BACK LH -----	1	B
	0414007-18 #	COVER ASSEMBLY-SEAT BACK RH -----	1	B
	0414007-27 #	COVER ASSEMBLY-SEAT BACK LH -----	1	C
	0414007-28 #	COVER ASSEMBLY-SEAT BACK RH -----	1	C
- 6	NAS428H4-12	BOLT-SEAT STOP -----	2	
- 7	AN315-4R	NUT-SEAT STOP -----	2	
- 8		SEAT BOTTOM ASSEMBLY-UPHOLSTERED LH -----	NP	
		SEAT BOTTOM ASSEMBLY-UPHOLSTERED RH -----	NP	
- 9	0414007-15 #	COVER ASSEMBLY-SEAT BOTTOM LH -----	1	B
	0414007-20 #	COVER ASSEMBLY-SEAT BOTTOM RH -----	1	B
	0414007-29 #	COVER ASSEMBLY-SEAT BOTTOM LH -----	1	C
	0414007-30 #	COVER ASSEMBLY-SEAT BOTTOM RH -----	1	C
-10	0414229-5	HANDLE ASSEMBLY-SEAT LATCH -----	1	
		ATTACHING PARTS		
-11	MS20392-2C59	PIN -----	1	
-12	MS24665-132	COTTER PIN -----	1	
		-----*		
-13	0700106-2	KNOB-HANDLE -----	1	
		ATTACHING PARTS		
	S102276-8	SCREW -----	1	
		-----*		
-14	0311644	CLEVIS-SEAT LATCH -----	1	
		ATTACHING PARTS		
	MS24665-283	COTTER PIN -----	1	
		-----*		
-15	0411262-1	PIN-SEAT LATCH -----	1	
		ATTACHING PARTS		
-16	MS20392-1C15	PIN -----	1	
-17	MS24665-132	COTTER PIN -----	1	
		-----*		
-18	0411265-1	SPRING-SEAT LATCH -----	1	
-19	0411268-3	HANDLE ASSEMBLY-RECLINING SEAT -----	1	
		ATTACHING PARTS		
-20	MS20392-1C11	PIN -----	1	
-21	MS24665-132	COTTER PIN -----	1	
		-----*		
-22	0713303-19	KNOB-RECLINING SEAT -----	1	
		ATTACHING PARTS		
	NAS561CF2-6	ROLL PIN -----	1	
		-----*		
-23	0311310	ROLLER -----	4	
		ATTACHING PARTS		
-24	0311586	BUSHING -----	1	
-25	AN3-11A	BOLT -----	1	B
	AN3-11A	BOLT FORWARD ROLLERS ONLY -----	1	C
-25A	AN3-13A	BOLT AFT ROLLERS ONLY -----	1	C
-25B	AN960-10	WASHER AFT ROLLERS ONLY -----	AR	C
-26	MS21044N3	NUT -----	1	
		-----*		
-26A	0414031-1	PLATE ASSEMBLY OUTBD LH SEAT & INBD RH SEAT -----	1	C
-26B	0414031-2	PLATE ASSEMBLY INBD LH SEAT & OUTBD RH SEAT -----	1	C
-27	0411105-1	SHAFT ASSEMBLY-RECLINING SEAT -----	1	

CONTINUED ON NEXT PAGE

FIGURE AND INDEX NO.	PART NUMBER	DESCRIPTION	UNITS PER ASSY	USABLE ON CODE
44 -28	0411266-1	SPRING-RECLINING SEAT -----	1	
	0411267-1	CAM-RECLINING SEAT -----	2	
-30	NAS561CF3-14	ATTACHING PARTS -----		
		ROLL PIN -----	1	
-31	0713074-1	STOP-SEAT -----	6	
-32	NAS43DD1-9	ATTACHING PARTS -----		
-33	MS20392-1C21	SPACER -----	2	
-34	MS24665-132	PIN -----	1	
-35	0410219-1	COTTER PIN -----	1	
		SEAT RAIL-OUTBOARD -----	2	
-36	NAS221-8	SEAT RAIL-INBOARD -----	2	
		ATTACHING PARTS -----		
-37	MS21044N3	SCREW -----	8	
-38	0411546-1	NUT -----	8	
		STIFFENER -----	3	
-39	NAS221-8	ATTACHING PARTS -----		
-40	MS21044N3	SCREW -----	2	
		NUT -----	2	
<p>NOTE. #THIS PART NUMBER MUST HAVE A SECOND DASH NUMBER ADDED TO DENOTE COLOR. REFER TO HOW TO ORDER UPHOLSTERED PARTS-PAGE VI.</p> <p>A---150 SERIAL 15071129 THRU 15072628 F150 SERIAL F15000530 THRU F15000738 B---150 SERIAL 15071129 THRU 15072003 F150 SERIAL F15000530 THRU F15000658 C---150 SERIAL 15072004 THRU 15072628 F150 SERIAL F15000659 THRU F15000738</p>				



Seat (Cont)

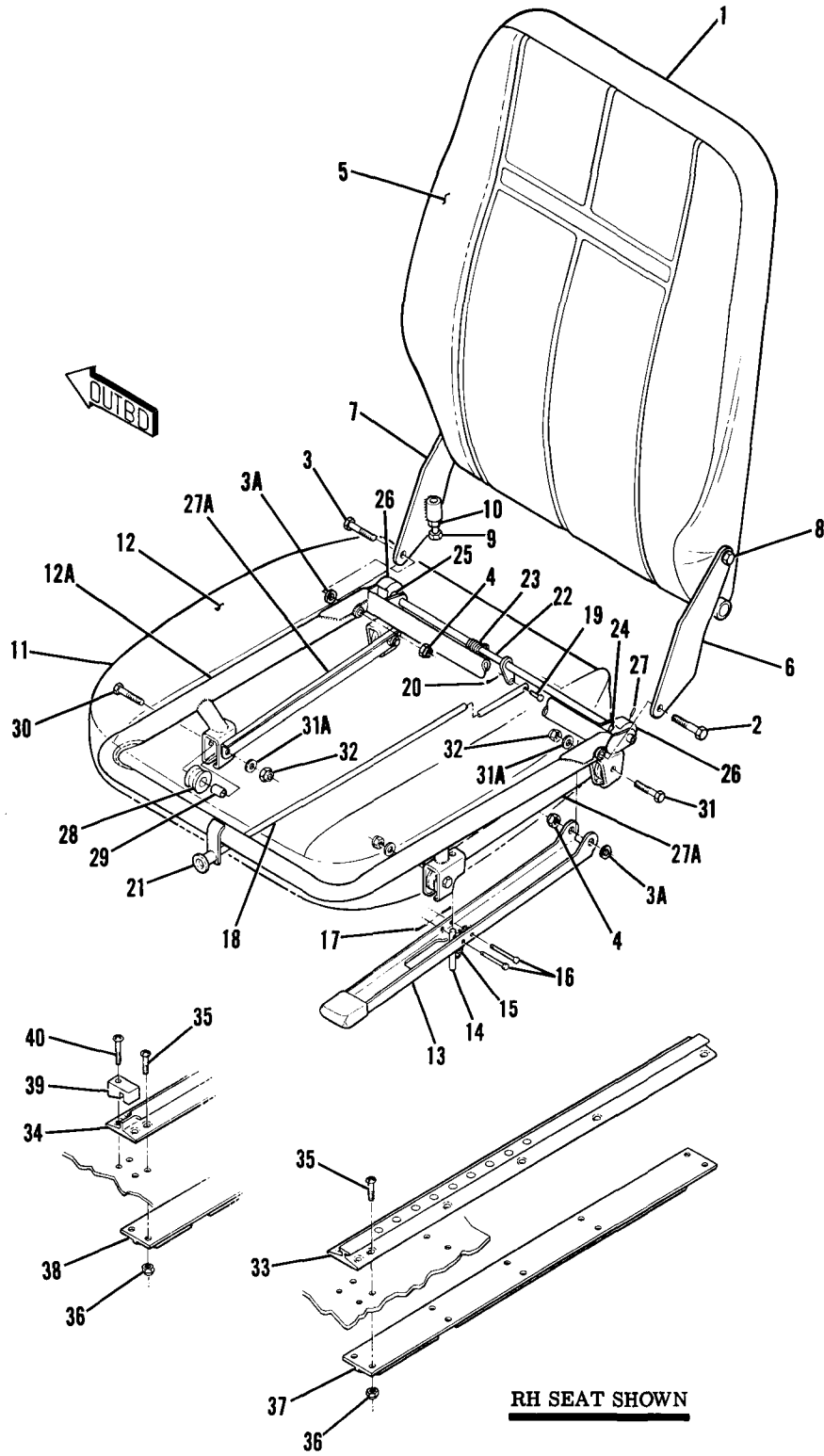


150 SERIAL 15072629 THRU 15073658
F150 SERIAL F15000739 THRU F15000863

Figure 44A. Reclining Seat Installation

FIGURE AND INDEX NO.	PART NUMBER		DESCRIPTION							UNITS PER ASSY	USABLE ON CODE
			1	2	3	4	5	6	7		
44A-			RECLINING SEAT INSTALLATION -----							NP	A
- 1	0414033-1	#	SEAT ASSEMBLY-RECLINING -----							2	
			SEAT BACK ASSEMBLY-UPHOLSTERED -----							NP	
			ATTACHING PARTS -----								
- 2	AN4-14A		BOLT -----							2	
- 3	AN960-416L		WASHER -----							1	B
- 4	MS21042L4		NUT -----							2	
			-----*								
- 5	0414033-7	#	COVER ASSEMBLY-SEAT BACK -----							1	
- 6	0414038-1		HINGE ASSEMBLY-LH -----							1	
- 7	0414038-2		HINGE ASSEMBLY-RH -----							1	
			ATTACHING PARTS -----								
- 8	AN4-14A		BOLT -----							1	
	AN960-416		WASHER -----							1	
	MS21042L4		NUT -----							1	
			-----*								
- 9	NAS428-4-6		BOLT-SEAT STOP -----							2	
-10	AN315-4R		NUT-SEAT STOP -----							2	
-11			SEAT BOTTOM ASSEMBLY-UPHOLSTERED -----							NP	
-12	0414033-3	#	COVER ASSEMBLY-SEAT BOTTOM -----							1	
-13	0414035-10		LEVER ASSEMBLY-SEAT LATCH -----							1	
-14	0414035-6		PIN-SEAT LATCH -----							1	
-15	0411265-2		SPRING-SEAT LATCH -----							1	
-16	MS20392-1C39		PIN -----							2	
-17	MS24665-132		COTTER PIN -----							2	
-18	0411268-3		HANDLE ASSEMBLY-RECLINING SEAT -----							1	
			ATTACHING PARTS -----								
-19	MS20392-1C11		PIN -----							1	
-20	MS24665-132		COTTER PIN -----							1	
			-----*								
-21	0713303-19		KNOB-RECLINING SEAT -----							1	
			ATTACHING PARTS -----								
	NAS561CF2-6		ROLL PIN -----							1	
			-----*								
-22	0414025-1		BRACE -----							2	
-23	0311310		ROLLER -----							4	
			ATTACHING PARTS -----								
-24	0311586		BUSHING -----							1	
-25	AN3-11A		BOLT FWD ROLLERS ONLY -----							1	
-26	AN3-13A		BOLT AFT ROLLERS ONLY -----							1	
-27	MS21044N3		NUT -----							1	
			-----*								
-28	0414035-15		SHAFT ASSEMBLY-RECLINING SEAT -----							1	
-29	0411266-1		SPRING-RECLINING SEAT -----							1	
-30	0411267-1		CAM-RECLINING SEAT -----							2	
			ATTACHING PARTS -----								
-31	NAS561CF3-14		ROLL PIN -----							1	
			-----*								
-32	0410230-3		SEAT RAIL-LH OUTBOARD & RH INBOARD -----							2	
	0410230-2		SEAT RAIL-RH OUTBOARD & LH INBOARD -----							2	
			ATTACHING PARTS -----								
-33	NAS221-8		SCREW -----							9	
-34	MS21044N3		NUT -----							9	
			-----*								
-35	0410230-4		STIFFENER ASSEMBLY -----							3	
-36	NAS682A3		NUTPLATE -----							1	
-37	0713074-1		SEAT STOP -----							4	
			ATTACHING PARTS -----								
-38	NAS43DD1-9		SPACER -----							2	
-39	MS20392-1C21		PIN -----							1	
-40	MS24665-132		COTTER PIN -----							1	
			-----*								
-41	0410232-1		SEAT STOP -----							2	
			ATTACHING PARTS -----								
-42	NAS221-17		SCREW -----							1	
			-----*								
NOTE. #THIS PART NUMBER MUST HAVE A SECOND DASH NUMBER ADDED TO DENOTE COLOR. REFER TO HOW TO ORDER UPHOLSTERED PARTS-PAGE VI.											
A---150 SERIAL 15072629 THRU 15073658 F150 SERIAL F15000739 THRU F15000863											
B---150 SERIAL 15072629 THRU 15072889 F150 SERIAL F15000739 THRU F15000863											

Seat (Cont)



150 SERIAL 15073659 THRU 15075781
F150 SERIAL F15000864 THRU F15001143

Figure 44B. Reclining Seat Installation

FIGURE AND INDEX NO.	PART NUMBER		DESCRIPTION	UNITS PER ASSY	USABLE ON CODE
		1 2 3 4 5 6 7			
448-			RECLINING SEAT INSTALLATION -----	NP	A
	0414041-1	#	SEAT ASSEMBLY-RECLINING LH WITH CLOUD GRAY INSERTS -----	1	B
	0414041-2	#	SEAT ASSEMBLY-RECLINING RH WITH CLOUD GRAY INSERTS -----	1	B
	0414041-11	#	SEAT ASSEMBLY-RECLINING LH SOLID COLOR OVERALL -----	1	C
	0414041-12	#	SEAT ASSEMBLY-RECLINING RH SOLID COLOR OVERALL -----	1	C
	0415007-1	#	SEAT ASSEMBLY-RECLINING LH WITH CLOUD GRAY INSERTS -----	1	D
	0415007-2	#	SEAT ASSEMBLY-RECLINING RH WITH CLOUD GRAY INSERTS -----	1	D
	0415009-1	#	SEAT ASSEMBLY-RECLINING LH SOLID COLOR OVERALL -----	1	E
	0415009-2	#	SEAT ASSEMBLY-RECLINING RH SOLID COLOR OVERALL -----	1	E
- 1			SEAT BACK ASSEMBLY-UPHOLSTERED -----	NP	
			ATTACHING PARTS		
- 2	AN4-15A		BOLT INBD -----	1	
- 3	AN4-14A		BOLT OUTBD -----	1	
- 3A	AN960-416L		WASHER -----	2	
- 4	MS21042L4		NUT -----	2	
			-----*		
- 5	0414041-7	#	COVER ASSEMBLY-SEAT BACK WITH CLOUD GRAY INSERT -----	1	B
	0414041-15	#	COVER ASSEMBLY-SEAT BACK SOLID COLOR OVERALL -----	1	C
	0415007-12	#	COVER ASSEMBLY-SEAT BACK WITH CLOUD GRAY INSERT -----	1	D
	0415009-5	#	COVER ASSEMBLY-SEAT BACK SOLID COLOR OVERALL -----	1	E
			ATTACHING PARTS		
	S1021A4-6		SCREW -----	4	
	AN960-4L		WASHER -----	4	
			-----*		
- 6	0414039-1		HINGE ASSEMBLY-LH -----	1	
- 7	0414039-2		HINGE ASSEMBLY-RH -----	1	
			ATTACHING PARTS		
- 8	AN4-14A		BOLT -----	1	
	AN960-416		WASHER -----	1	
	MS21042L4		NUT -----	1	
			-----*		
- 9	NAS428-4-6		BOLT-SEAT STOP -----	2	
-10	AN315-4R		NUT-SEAT STOP -----	2	
-11			SEAT BOTTOM ASSEMBLY-UPHOLSTERED -----	NP	
-12	0414041-3	#	COVER ASSEMBLY-SEAT BOTTOM WITH CLOUD GRAY INSERT -----	1	B
	0414041-9	#	COVER ASSEMBLY-SEAT BOTTOM SOLID COLOR OVERALL -----	1	C
	0415007-13	#	COVER ASSEMBLY-SEAT BOTTOM WITH CLOUD GRAY INSERT -----	1	D
	0415009-6	#	COVER ASSEMBLY-SEAT BOTTOM SOLID COLOR OVERALL -----	1	E
-12A	0414040-6		FRAME ASSY-WELDED SEAT BOTTOM RH -----	1	
	0414040-5		FRAME ASSY-WELDED SEAT BOTTOM LH -----	1	
	0414041-4		DIAPHRAGM-SEAT BOTTOM -----	1	
-13	0414040-11		LEVER ASSEMBLY-SEAT LATCH -----	1	
-14	0414035-6		PIN-SEAT LATCH -----	1	
-15	0411265-2		SPRING-SEAT LATCH -----	1	
-16	MS20392-1C35		PIN -----	2	
-17	MS24665-132		COTTER PIN -----	2	
-18	0411268-3		HANDLE ASSEMBLY-RECLINING SEAT -----	1	
			ATTACHING PARTS		
-19	MS20392-1C11		PIN -----	1	
-20	MS24665-132		COTTER PIN -----	1	
			-----*		
-21	0713303-19		KNOB-RECLINING SEAT -----	1	
			ATTACHING PARTS		
	NAS561CF2-6		ROLL PIN -----	1	
			-----*		
-22	0414040-15		SHAFT ASSEMBLY-RECLINING SEAT -----	1	
-23	0411266-1		SPRING -----	1	
-24	NAS43HT5-14		SPACER INBD -----	1	
-25	NAS43HT5-24		SPACER OUTBD -----	1	
-26	0411267-1		CAM-RECLINING SEAT -----	2	
			ATTACHING PARTS		
-27	NAS561C3-14		ROLL PIN -----	1	
			-----*		
-27A	0414066-1		BRACE -----	2	
-28	0311310		ROLLER -----	4	
			ATTACHING PARTS		
-29	0311586		BUSHING -----	1	
-30	AN3-11A		BOLT FWD ROLLERS USED WITHOUT 0414066-1 BRACE -----	1	
	AN3-12A		BOLT FWD ROLLERS USED WITH 0414066-1 BRACE -----	1	
-31	AN3-12A		BOLT AFT ROLLERS USED WITHOUT 0414066-1 BRACE -----	1	
	AN3-13A		BOLT AFT ROLLERS USED WITH 0414066-1 BRACE -----	1	
-31A	AN960-10		WASHER USED WITH 0414066-1 BRACE -----	1	
-32	MS21044N3		NUT -----	1	
			-----*		

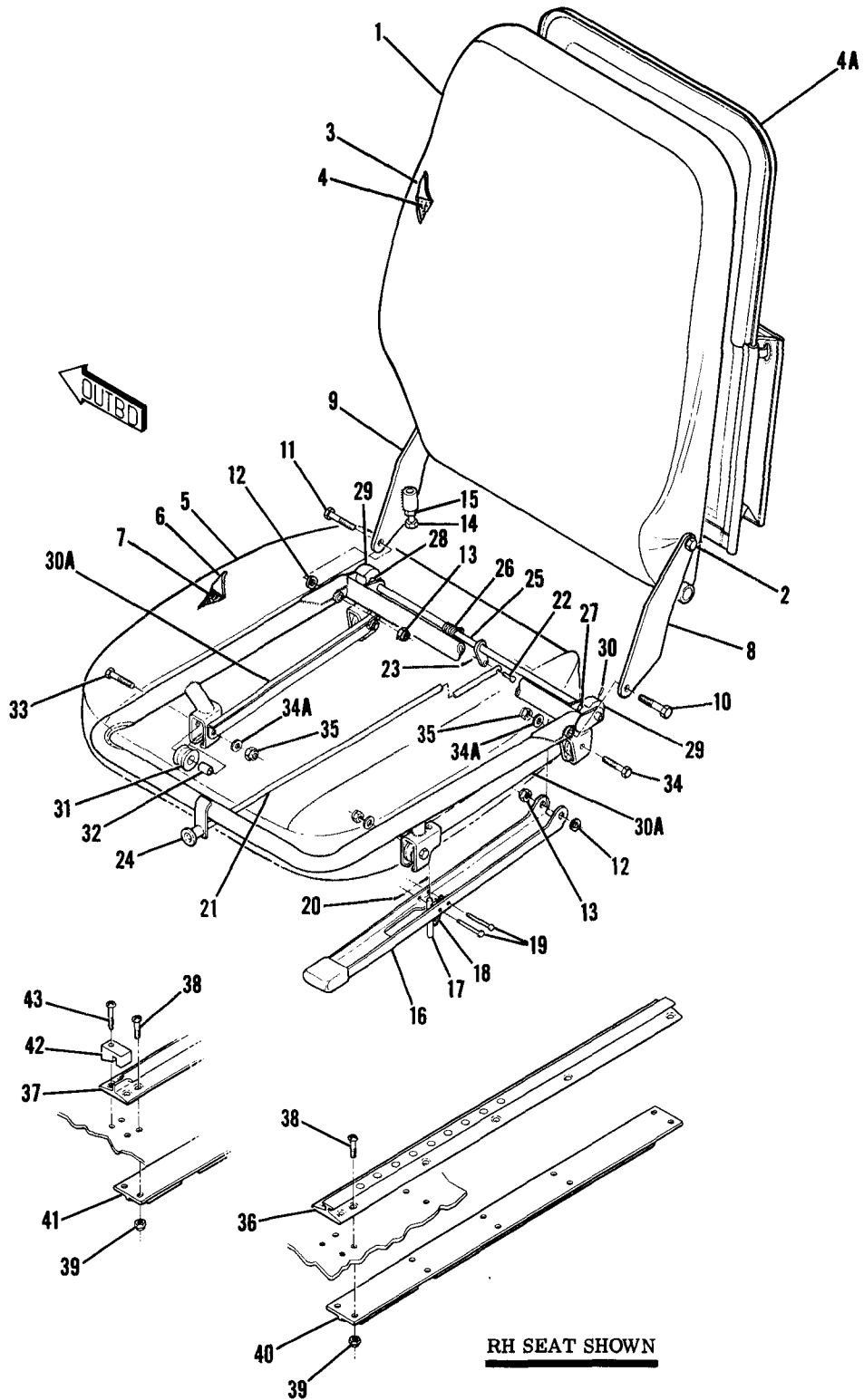
CONTINUED ON NEXT PAGE

FIGURE AND INDEX NO.	PART NUMBER	DESCRIPTION	UNITS PER ASSY	USABLE ON CODE
448-33	0410235-3	SEAT RAIL-INBD WEU 0410235-6 -----	2	
	0410235-6	SEAT RAIL-INBD -----	2	
-34	0410235-2	SEAT RAIL-RH OUTBD -----	1	
	0410235-1	SEAT RAIL-LH OUTBD -----	1	
		ATTACHING PARTS		
-35	NAS221-8	SCREW -----	10	
-36	MS21044N3	NUT -----	10	
		-----*		
-37	0410236-2	STIFFENER RH INBD ONLY -----	1	
-38	0410236-1	STIFFENER OUTBD -----	2	
-39	0410232-1	SEAT STOP OUTBD RAIL ONLY -----	2	
		ATTACHING PARTS		
-40	NAS221-17	SCREW -----	1	
		-----*		
<p>NOTE. #THIS PART NUMBER MUST HAVE A SECONDO DASH NUMBER ADDED TO DENOTE COLOR. REFER TO HOW TO ORDER UPHOLSTERED PARTS-PAGE VI.</p> <p>A---150 SERIAL 15073659 THRU 15075781 F150 SERIAL F15000864 THRU F15001143 B---150 SERIAL 15073659 THRU 15074850 F150 SERIAL F15000864 THRU F15001013 C---150 SERIAL 15073659 THRU 15074850 D---150 SERIAL 15074851 THRU 15075781 F150 SERIAL F15001014 THRU F15001143 E---150 SERIAL 15074851 THRU 15075781</p>				

FIGURE AND INDEX NO.	PART NUMBER		DESCRIPTION	UNITS PER ASSY	USABLE ON CODE
		1 2 3 4 5 6 7			
44C-			RECLINING SEAT INSTALLATION -----	NP	A
	0414048-2	#	SEAT ASSY-RECLINING RH WITH EMBOSSED VINYL INSERT -----	1	C
	0414048-1	#	SEAT ASSY-RECLINING LH WITH EMBOSSED VINYL INSERT -----	1	C
	0414060-2	#	SEAT ASSY-RECLINING RH WITH EMBOSSED VINYL INSERT -----	1	D
	0414060-1	#	SEAT ASSY-RECLINING LH WITH EMBOSSED VINYL INSERT -----	1	D
	0414050-2	#	SEAT ASSY-RECLINING RH PLAIN PERFORATED VINYL OVERALL -----	1	B
	0414050-1	#	SEAT ASSY-RECLINING LH PLAIN PERFORATED VINYL OVERALL -----	1	B
- 1	0414048-3	#	SEAT BACK ASSY WITH EMBOSSED VINYL INSERT -----	1	C
	0414060-5	#	SEAT BACK ASSY WITH EMBOSSED VINYL INSERT -----	1	D
	0414050-5	#	SEAT BACK ASSY PLAIN PERFORATED VINYL OVERALL -----	1	B
			ATTACHING PARTS		
- 2	AN4-14A		BOLT -----	2	
	AN960-416		WASHER UNDER BOLT HEAD -----	2	
	MS21042L4		NUT -----	2	
			-----*		
- 3	0414048-11	#	COVER ASSY-SEAT BACK WITH EMBOSSED VINYL INSERT -----	1	C
	0414060-6	#	COVER ASSY-SEAT BACK WITH EMBOSSED VINYL INSERT -----	1	D
	0415009-5	#	COVER ASSY-SEAT BACK PLAIN PERFORATED VINYL OVERALL --	1	B
			ATTACHING PARTS		
	S1021A4-6		SCREW -----	4	
	AN960-4L		WASHER -----	4	
			-----*		
- 4	0414048-8		CUSHION ASSY USED WITH 0414048-11 COVER -----	1	C
	0414060-9		CUSHION ASSY -----	1	D
	0415007-17		CUSHION ASSY USED WITH 0415009-5 COVER -----	1	B
- 4A	0414063-1	□	TRIM ASSY-SEAT BACK -----	1	D
			ATTACHING PARTS		
	S1021A4-6		SCREW -----	6	D
	S1023A6-6		SCREW -----	4	D
	S2255-1		WASHER -----	4	D
			-----*		
- 5	0414048-6	#	SEAT BOTTOM ASSY-RH WITH EMBOSSED VINYL INSERT -----	1	C
	0414048-7	#	SEAT BOTTOM ASSY-LH WITH EMBOSSED VINYL INSERT -----	1	C
	0414060-4	#	SEAT BOTTOM ASSY-RH WITH EMBOSSED VINYL INSERT -----	1	D
	0414060-3	#	SEAT BOTTOM ASSY-LH WITH EMBOSSED VINYL INSERT -----	1	D
	0414050-4	#	SEAT BOTTOM ASSY-RH PLAIN PERFORATED VINYL OVERALL -----	1	B
	0414050-3	#	SEAT BOTTOM ASSY-LH PLAIN PERFORATED VINYL OVERALL -----	1	B
- 6	0414048-13	#	COVER ASSY-SEAT BOTTOM WITH EMBOSSED VINYL INSERT -----	1	C
	0414060-7	#	COVER ASSY-SEAT BOTTOM WITH EMBOSSED VINYL INSERT -----	1	D
	0415009-6	#	COVER ASSY-SEAT BOTTOM PLAIN PERFORATED VINYL OVERALL --	1	B
- 7	0414048-4		CUSHION ASSY USED WITH 0414048-13 & 0414060-7 COVERS --	1	
	0415007-18		CUSHION ASSY USED WITH 0415009-6 COVER -----	1	B
- 8	0414039-1		HINGE ASSY-LH -----	1	
- 9	0414039-2		HINGE ASSY-RH -----	1	
			ATTACHING PARTS		
-10	AN4-15A		BOLT INBD -----	1	
-11	AN4-14A		BOLT OUTBD -----	1	
-12	AN960-416L		WASHER -----	1	
-13	MS21042L4		NUT -----	1	
			-----*		

CONTINUED ON NEXT PAGE

Seat (Cont)

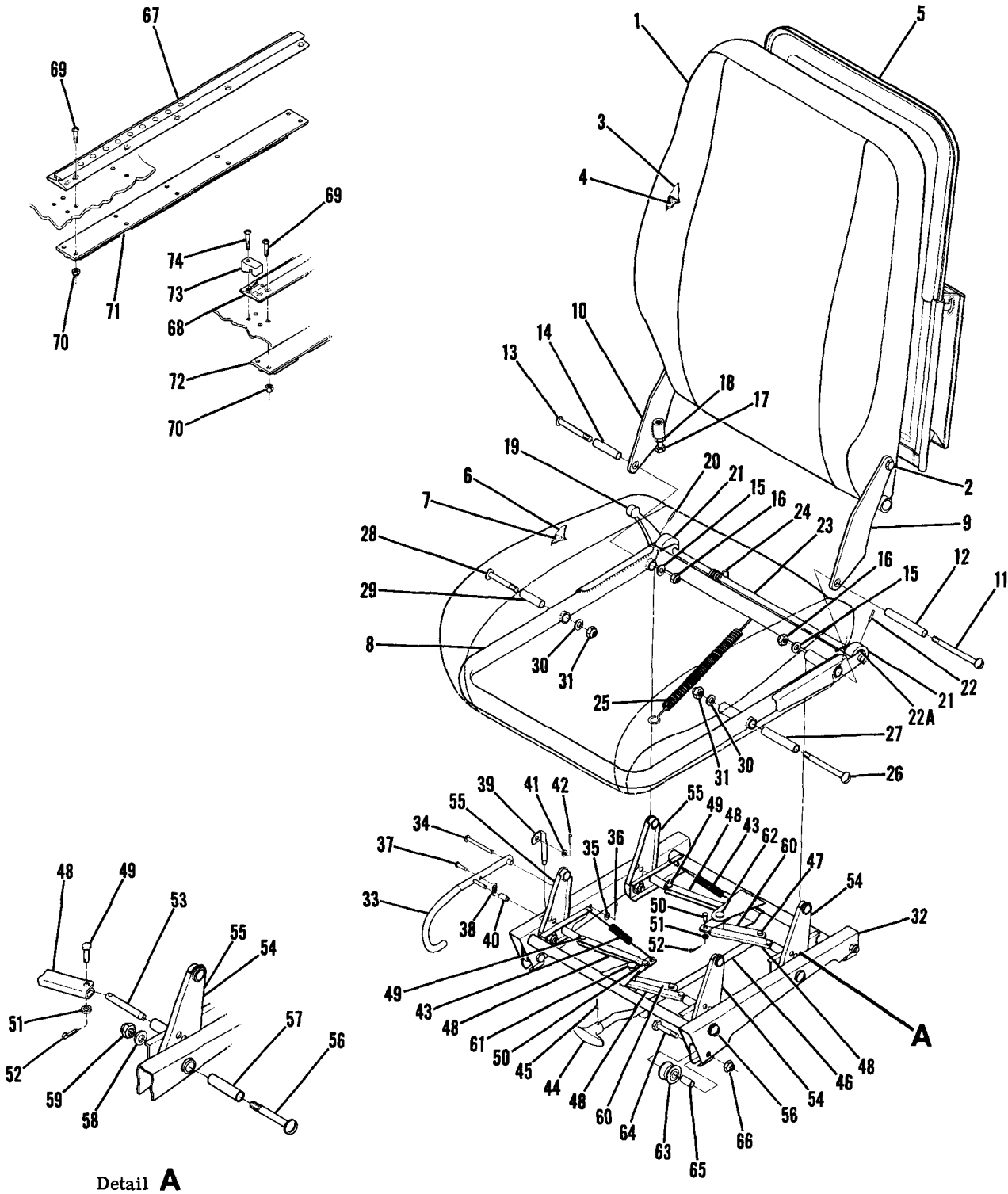


150 SERIAL 15075782 & ON
F150 SERIAL F15001144 & ON

Figure 44C. Reclining Seat Installation

FIGURE AND INDEX NO.	PART NUMBER	DESCRIPTION	UNITS PER ASSY	USABLE ON CODE
		1 2 3 4 5 6 7		
44C-14	NAS428-4-6	BOLT SEAT STOP -----	2	
-15	AN315-4R	NUT SEAT STOP -----	2	
-16	0414040-11	LEVER ASSY-SEAT LATCH -----	1	
-17	0414035-6	PIN-SEAT LATCH -----	1	
-18	0411265-2	SPRING-SEAT LATCH -----	1	
-19	MS20392-1C35	PIN -----	2	
-20	MS24665-132	COTTER PIN -----	2	
-21	0411268-3	HANDLE ASSY-RECLINING SEAT -----	1	
		ATTACHING PARTS		
-22	MS20392-1C11	PIN -----	1	
-23	MS24665-132	COTTER PIN -----	1	
		-----*		
-24	0713303-19	KNOB-HANDLE -----	1	
		ATTACHING PARTS		
	NAS561CF2-6	ROLL PIN -----	1	
		-----*		
-25	0414040-15	SHAFT ASSY-RECLINING SEAT -----	1	
-26	0411266-1	SPRING -----	1	
-27	NAS43HT5-14	SPACER INBD -----	1	
-28	NAS43HT5-24	SPACER OUTBD -----	1	
-29	0411267-1	CAM-RECLINING SEAT -----	2	
		ATTACHING PARTS		
-30	NAS561C3-14	ROLL PIN -----	1	
		-----*		
-30A	0414066-1	BRACE -----	2	
-31	0311310	ROLLER -----	4	
		ATTACHING PARTS		
-32	0311586	BUSHING -----	1	
-33	AN3-11A	BOLT FWD ROLLERS USED WITHOUT 0414066-1 BRACE -----	1	
	AN3-12A	BOLT FWD ROLLERS USED WITH 0414066-1 BRACE -----	1	
-34	AN3-12A	BOLT AFT ROLLERS USED WITHOUT 0414066-1 BRACE -----	1	
	AN3-13A	BOLT AFT ROLLERS USED WITH 0414066-1 BRACE -----	1	
-34A	AN960-10	WASHER USED WITH 0414066-1 BRACE -----	1	
-35	MS21044N3	NUT -----	1	
		-----*		
-36	0410235-3	SEAT RAIL-INBD WEU 0410235-6 -----	2	E
	0410235-6	SEAT RAIL-INBD -----	2	F
-37	0410235-2	SEAT RAIL-RH OUTBD -----	1	
	0410235-1	SEAT RAIL-LH OUTBD -----	1	
		ATTACHING PARTS		
-38	NAS221-8	SCREW -----	10	
-39	MS21044N3	NUT -----	10	
		-----*		
-40	0410236-2	STIFFENER RH INBD ONLY -----	1	
-41	0410236-1	STIFFENER OUTBD -----	2	
-42	0410232-1	SEAT STOP OUTBD RAIL ONLY -----	2	
		ATTACHING PARTS		
-43	NAS221-17	SCREW -----	1	
		-----*		
		NOTE. #THIS PART NUMBER MUST HAVE A SECOND DASH NUMBER ADDED TO DENOTE COLOR. REFER TO HOW TO ORDER UPHOLSTERED PARTS-PAGE VI.		
		NOTE. □THIS PART NUMBER MUST HAVE A SECOND DASH NUMBER ADD TO DENOTE COLOR. REFER TO HOW TO ORDER INTERIOR PARTS-PAGE VII.		
		A---150 SERIAL 15075782 & ON F150 SERIAL F15001144 & ON		
		B---150 SERIAL 15075782 THRU 15077005		
		C---150 SERIAL 15075782 THRU 15077005 F150 SERIAL F15001144 THRU F15001248		
		D---150 SERIAL 15077006 & ON F150 SERIAL F15001249 & ON		
		E---150 SERIAL 15075782 THRU 15077641 F150 SERIAL F15001144 THRU F15001323		
		F---150 SERIAL 15077642 & ON F150 SERIAL F15001324 & ON		

Seat (Cont)



150 SERIAL 15077006 & ON
F150 SERIAL F15001249 & ON

Figure 44D. Vertical Adjustable Seat Installation

FIGURE AND INDEX NO.	PART NUMBER	DESCRIPTION	UNITS PER ASSY	USABLE ON CODE
		1 2 3 4 5 6 7		
44D-		VERTICAL ADJUSTABLE SEAT INSTALLATION -----	NP	A
	0414056-1 #	SEAT ASSY-VERTICAL ADJUSTABLE LH -----	1	
	0414056-2 #	SEAT ASSY-VERTICAL ADJUSTABLE RH -----	1	
- 1	0414060-5 #	SEAT BACK ASSY-UPHOLSTERED -----	1	
		ATTACHING PARTS -----		
- 2	AN4-14A	BOLT -----	2	
	AN960-416	WASHER UNDER BOLT HEAD -----	2	
	MS21042L4	NUT -----	2	
		*-----		
- 3	0414060-6 #	COVER ASSY-SEAT BACK -----	1	
- 4	0414060-9	CUSHION ASSY-SEAT BACK -----	1	
- 5	0414063-1 □	TRIM ASSY-SEAT BACK -----	1	
		ATTACHING PARTS -----		
	S1021A4-6	SCREW -----	6	
	S1021A6-6	SCREW -----	4	
	S2255-1	WASHER -----	4	
		*-----		
	0414056-3 #	SEAT BOTTOM ASSY-UPHOLSTERED LH -----	1	
	0414056-4 #	SEAT BOTTOM ASSY-UPHOLSTERED RH -----	1	
- 6	0414060-7 #	COVER ASSY-SEAT BOTTOM -----	1	
- 7	0414048-4	CUSHION ASSY-SEAT BOTTOM -----	1	
	0414041-4	DIAPHRAGM-SEAT BOTTOM -----	1	
	0414065-1	SCUFF PLATE-DIAPHRAGM -----	2	
- 8	0414053-1	FRAME ASSY-LH -----	1	
	0414053-2	FRAME ASSY-RH -----	1	
- 9	0414039-5	HINGE ASSY-LH -----	1	
-10	0414039-6	HINGE ASSY-RH -----	1	
		ATTACHING PARTS -----		
-11	AN24-48A	BOLT OUTBD -----	1	
-12	0414054-22	SPACER OUTBD -----	1	
-13	AN24-32A	BOLT INBD -----	1	
-14	0414054-20	SPACER INBD -----	1	
-15	AN960-416	WASHER -----	1	
-16	MS21044N4	NUT -----	1	
		*-----		
-17	NAS428-4-6	BOLT-SEAT STOP -----	2	
-18	AN315-4R	NUT-SEAT STOP -----	2	
-19	0710312-3	HANDLE-RECLINING SEAT -----	1	
		ATTACHING PARTS -----		
-20	NAS561C3-10	ROLL PIN -----	1	
		*-----		
-21	0411267-1	CAM-RECLINING SEAT -----	2	
		ATTACHING PARTS -----		
-22	NAS561C3-14	ROLL PIN -----	1	
		*-----		
-22A	AN960-516	WASHER -----	4	
-23	0414054-24	SHAFT-RECLINING SEAT-LH -----	1	
	0414054-35	SHAFT-RECLINING SEAT-RH -----	1	
-24	0411266-1	SPRING-RECLINING SEAT -----	1	
-25	0414061-1	SPRING-VERTICAL SEAT ADJUST -----	1	
-26	AN24-44A	BOLT OUTBD -----	1	
-27	0414054-21	SPACER OUTBD -----	1	
-28	AN24-27A	BOLT INBD -----	1	
-29	0414054-18	SPACER INBD -----	1	
-30	AN960-416	WASHER -----	2	
-31	MS21044N4	NUT -----	2	
-32	0414053-3	PEDESTAL ASSY-WELDED LH -----	1	
	0414053-4	PEDESTAL ASSY-WELDED RH -----	1	
-33	0414054-41	HANDLE ASSY-LH -----	1	
	0414054-40	HANDLE ASSY-RH -----	1	
		ATTACHING PARTS -----		
-34	MS20392-1C47	PIN -----	1	
-35	AN960-4L	WASHER -----	1	
-36	MS24665-172	COTTER PIN -----	1	
		*-----		
-37	MS20392-1C11	PIN -----	1	
-38	0411265-2	SPRING -----	1	
-39	0414054-37	PIN ASSY-LOCKING LH -----	1	
	0414054-38	PIN ASSY-LOCKING RH -----	1	
		ATTACHING PARTS -----		
-40	NAS43HT1-27	SPACER -----	1	
-41	AN960-4L	WASHER -----	1	
-42	MS24665-172	COTTER PIN -----	1	
		*-----		
-43	1414116-3	SPRING -----	2	

CONTINUED ON NEXT PAGE

FIGURE AND INDEX NO.	PART NUMBER	DESCRIPTION							UNITS PER ASSY	USABLE ON CODE
		1	2	3	4	5	6	7		
44D-44	0414057-1	HANDLE-SEAT RELEASE ATTACHING PARTS							1	
-45	NAS561-3-8	ROLL PIN							1	
-46	0414054-11	SHAFT-SEAT RELEASE ATTACHING PARTS							1	
-47	MS20392-2C15	PIN							2	
	AN960-10L	WASHER							2	
	MS24665-132	COTTER PIN							2	
-48	0414054-5	LINKAGE ATTACHING PARTS							4	
-49	MS20392-1C11	PIN							1	
-50	MS20392-1C7	PIN							1	
-51	AN960-4L	WASHER							2	
-52	MS24665-170	COTTER PIN							2	
-53	0414054-10	PIN-SEAT RELEASE							4	
-54	0414054-8	BELLCRANK ASSY-LH							2	
-55	0414054-7	BELLCRANK ASSY-RH ATTACHING PARTS							2	
-56	AN24-30A	BOLT							1	
-57	0414054-19	SPACER							1	
-58	AN960-416	WASHER							1	
-59	MS21044N4	NUT							1	
-60	0414054-31	BELLCRANK ASSY ATTACHING PARTS							2	
-61	MS20392-3C39	PIN FWD							1	
-62	MS20392-3C33	PIN AFT							1	
	AN960-416L	WASHER							1	
	MS24665-134	COTTER PIN							1	
-63	0311310	ROLLER ATTACHING PARTS							4	
-64	AN3-12A	BOLT							1	
-65	0311586	BUSHING							1	
-66	MS21044N3	NUT							1	
-67	0410235-3	SEAT RAIL-INBD WEU 0410235-6							2	B
	0410235-6	SEAT RAIL INBD							2	C
-68	0410235-1	SEAT RAIL-LH OUTBD							1	
	0410235-2	SEAT RAIL-RH OUTBD ATTACHING PARTS							1	
-69	NAS221-8	SCREW							10	
-70	MS21044N3	NUT							10	
-71	0410236-2	STIFFENER RH INBD ONLY							1	
-72	0410236-1	STIFFENER OUTBD							2	
-73	0410232-1	SEAT STOP OUTBD RAILS ONLY ATTACHING PARTS							2	
-74	NAS221-17	SCREW							1	

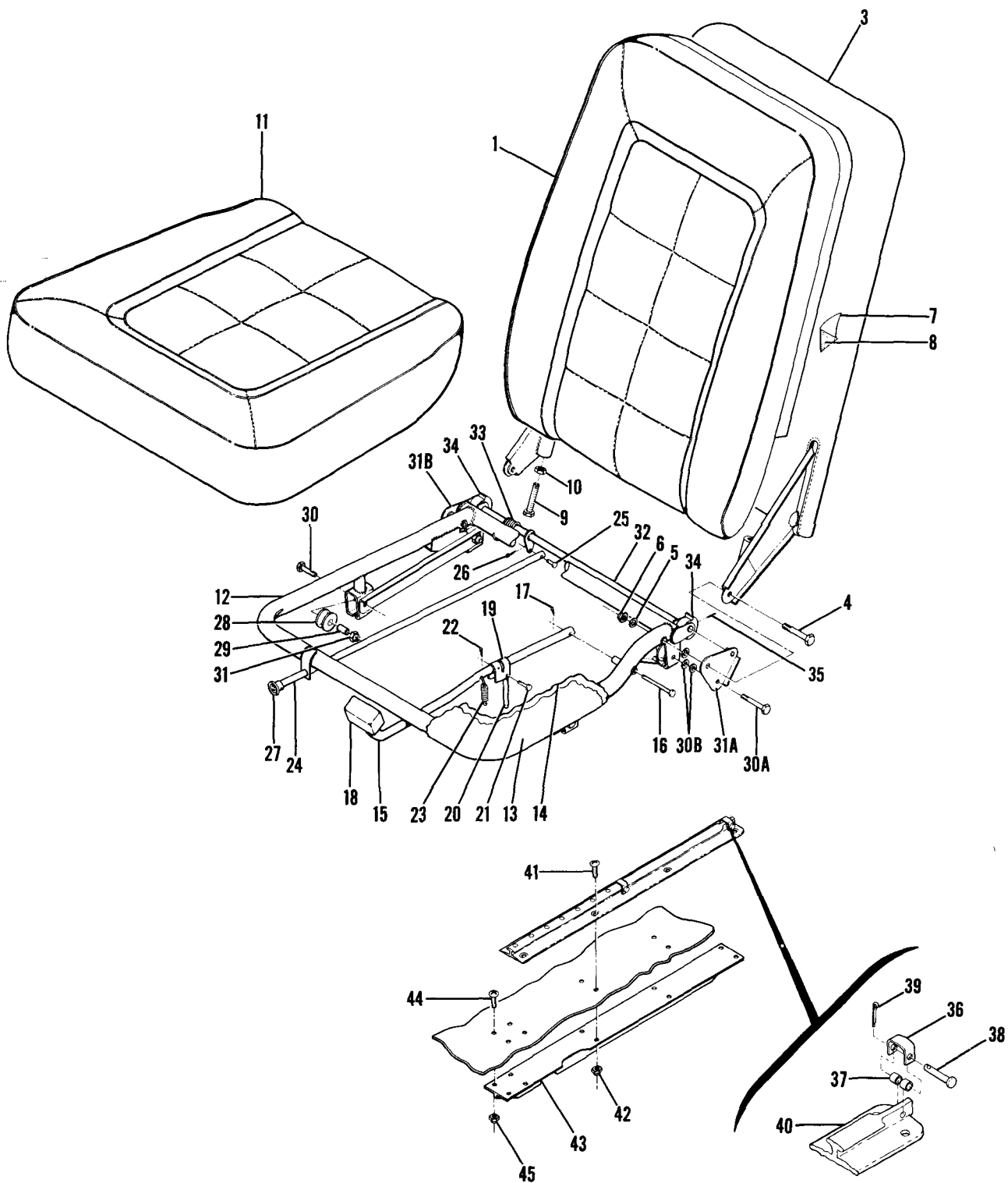
NOTE. #THIS PART NUMBER MUST HAVE A SECOND DASH NUMBER ADDED TO DENOTE COLOR. REFER TO HOW TO ORDER UPHOLSTERED PARTS-PAGE VI.

NOTE. □THIS PART NUMBER MUST HAVE A SECOND DASH NUMBER ADDED TO DENOTE COLOR. REFER TO HOW TO ORDER INTERIOR PARTS-PAGE VII.

A---150 SERIAL 15077006 & ON
 F150 SERIAL F15001249 & ON
 B---150 SERIAL 15077006 THRU 15077641
 F150 SERIAL F15001249 THRU F15001323
 C---150 SERIAL 15077642 & ON
 F150 SERIAL F15001324 & ON



Seat (Cont)



A150 SERIAL A1500001 THRU A1500276
FA150 SERIAL FA1500001 THRU FA1500166

Figure 45. Reclining Seat Installation - Aerobat

FIGURE AND INDEX NO.	PART NUMBER		DESCRIPTION	UNITS PER ASSY	USABLE ON CODE
			1 2 3 4 5 6 7		
45 -	0414009-15	#	RECLINING SEAT INSTALLATION AEROBAT -----	NP 1	A
	0414009-16	#	SEAT ASSEMBLY-RECLINING RH -----	1	
- 1	0414009-5	#	SEAT ASSEMBLY-RECLINING RH -----	1	
	0414009-6	#	CUSHION ASSEMBLY-SEAT BACK LH -----	1	
- 2			CUSHION ASSEMBLY-SEAT BACK RH -----	1	
			DELETED, NEVER USED -----		
- 3	0414009-205	**#	SEAT BACK ASSEMBLY-LH -----	1	
	0414009-204	**#	SEAT BACK ASSEMBLY-RH -----	1	
			ATTACHING PARTS		
- 4	AN3-13A		BOLT -----	2	B
	AN4-14A		BOLT -----	2	C
- 5	AN960-10		WASHER -----	2	B
	AN960-416		WASHER -----	AR	C
- 6	MS21044N3		NUT -----	2	B
	MS21042L4		NUT -----	2	C
			-----*		
- 7	0414009-12	#	COVER ASSEMBLY-SEAT BACK LH -----	1	
	0414009-14	#	COVER ASSEMBLY-SEAT BACK RH -----	1	
- 8	0414009-13		DIAPHRAGM-SEAT BACK -----	1	
- 9	NAS428H4-12		BOLT-SEAT STOP -----	2	
-10	AN315-4R		NUT-SEAT STOP -----	2	
-11	0414009-3	#	CUSHION ASSEMBLY-SEAT BOTTOM LH -----	1	
	0414009-4	#	CUSHION ASSEMBLY-SEAT BOTTOM RH -----	1	
-12	0414009-207	%#	SEAT BOTTOM ASSEMBLY-LH -----	1	
	0414009-206	%#	SEAT BOTTOM ASSEMBLY-RH -----	1	
-13	0414009-11	#	COVER ASSEMBLY-SEAT BOTTOM FRAME LH -----	1	
	0414009-13	#	COVER ASSEMBLY-SEAT BOTTOM FRAME RH -----	1	
-14	0414007-14		DIAPHRAGM -----	1	
-15	0414229-5		HANDLE ASSEMBLY-SEAT LATCH -----	1	
			ATTACHING PARTS		
-16	MS20392-2C59		PIN -----	1	
-17	MS24665-132		COTTER PIN -----	1	
			-----*		
-18	0700106-2		KNOB-HANDLE -----	1	
			ATTACHING PARTS		
	S102226-8		SCREW -----	1	
			-----*		
-19	0311644		CLEVIS-SEAT LATCH -----	1	
			ATTACHING PARTS		
	MS24665-283		COTTER PIN -----	1	
			-----*		
-20	0411262-1		PIN-SEAT LATCH -----	1	
			ATTACHING PARTS		
-21	MS20392-1C15		PIN -----	1	
-22	MS24665-132		COTTER PIN -----	1	
			-----*		
-23	0411265-1		SPRING-SEAT LATCH -----	1	
-24	0411268-3		HANDLE ASSEMBLY-RECLINING SEAT -----	1	
			ATTACHING PARTS		
-25	MS20392-1C11		PIN -----	1	
-26	MS24665-132		COTTER PIN -----	1	
			-----*		
-27	0713303-19		KNOB-RECLINING SEAT -----	1	
			ATTACHING PARTS		
	NAS561CF2-6		ROLL PIN -----	1	
			-----*		
-28	0311310		ROLLER -----	4	
			ATTACHING PARTS		
-29	0311586		BUSHING -----	1	
-30	AN3-11A		BOLT -----	1	B
	AN3-11A		BOLT FORWARD ROLLERS ONLY -----	1	C
-30A	AN3-13A		BOLT AFT ROLLERS ONLY -----	1	C
-30B	AN960-10		WASHER AFT ROLLERS ONLY -----	AR	C
-31	MS21044N3		NUT -----	1	
			-----*		

CONTINUED ON NEXT PAGE

FIGURE AND INDEX NO.	PART NUMBER	DESCRIPTION							UNITS PER ASSY	USABLE ON CODE
		1	2	3	4	5	6	7		
45 -31A	0414031-1	PLATE ASSEMBLY OUTBD LH SEAT & INBD RH SEAT -----							1	C
-31B	0414031-2	PLATE ASSEMBLY INBD LH SEAT & OUTBD RH SEAT -----							1	C
-32	0411105-1	SHAFT ASSEMBLY-RECLINING SEAT -----							1	
-33	0411266-1	SPRING-RECLINING SEAT -----							1	
-34	0411267-1	CAM-RECLINING SEAT -----							2	
		ATTACHING PARTS								
-35	NAS561CF3-14	ROLL PIN -----							1	
		---*---								
-36	0713074-1	STOP-SEAT -----							6	
		ATTACHING PARTS								
-37	NAS43DD1-9	SPACER -----							2	
-38	MS20392-1C21	PIN -----							1	
-39	MS24665-132	COTTER PIN -----							1	
		---*---								
-40	0410219-1	SEAT RAIL-CUTBOARD -----							2	
	0410219-2	SEAT RAIL-INBOARD -----							2	
		ATTACHING PARTS								
-41	NAS221-8	SCREW -----							8	
-42	MS21044N3	NUT -----							8	
		---*---								
-43	0411546-1	STIFFENER -----							3	
		ATTACHING PARTS								
-44	NAS221-8	SCREW -----							2	
-45	MS21044N3	NUT -----							2	
		---*---								
<p>NOTE. #THIS PART NUMBER MUST HAVE A SECOND DASH NUMBER ADDED TO DENOTE COLOR. REFER TO HOW TO ORDER UPHOLSTERED PARTS-PAGE VI.</p> <p>NOTE. *THESE PARTS ARE NOT INTERCHANGEABLE WITH EXISTING SEAT BACK ASSY & SEAT BOTTOM ASSY FOR AIRCRAFT SERIALS A1500001 THRU A1500176 & FA1500001 THRU FA1500080. WHEN INITIALLY REPLACING THESE PARTS FOR THIS SERIAL BLOCK OF AIRCRAFT ALSO ORDER CORRESPONDING SEAT BOTTOM ASSY PART NO. 0414009-207 LH OR 0414009-206 RH & TWO AN4-14A BOLTS, SIX AN960-416 WASHERS, TWO NAS679A4 NUTS.</p> <p>NOTE. #THESE PARTS ARE NOT INTERCHANGEABLE WITH EXISTING SEAT BOTTOM ASSY & SEAT BACK ASSY FOR AIRCRAFT SERIALS A1500001 THRU A1500176 & FA1500001 THRU FA1500080. WHEN INITIALLY REPLACING THESE PARTS FOR THIS SERIAL BLOCK OF AIRCRAFT ALSO ORDER CORRESPONDING SEAT BACK ASSY PART NO. 0414009-205 LH OR 0414009-204 RH & TWO AN4-14A BOLTS, SIX AN960-416 WASHERS, TWO NAS679A4 NUTS.</p> <p>A---A150 SERIAL A1500001 THRU A1500276 FA150 SERIAL FA1500001 THRU FA1500166 B---A150 SERIAL A1500001 THRU A1500176 FA150 SERIAL FA1500001 THRU FA1500080 C---A150 SERIAL A1500177 THRU A1500276 FA150 SERIAL FA1500081 THRU FA1500166</p>										

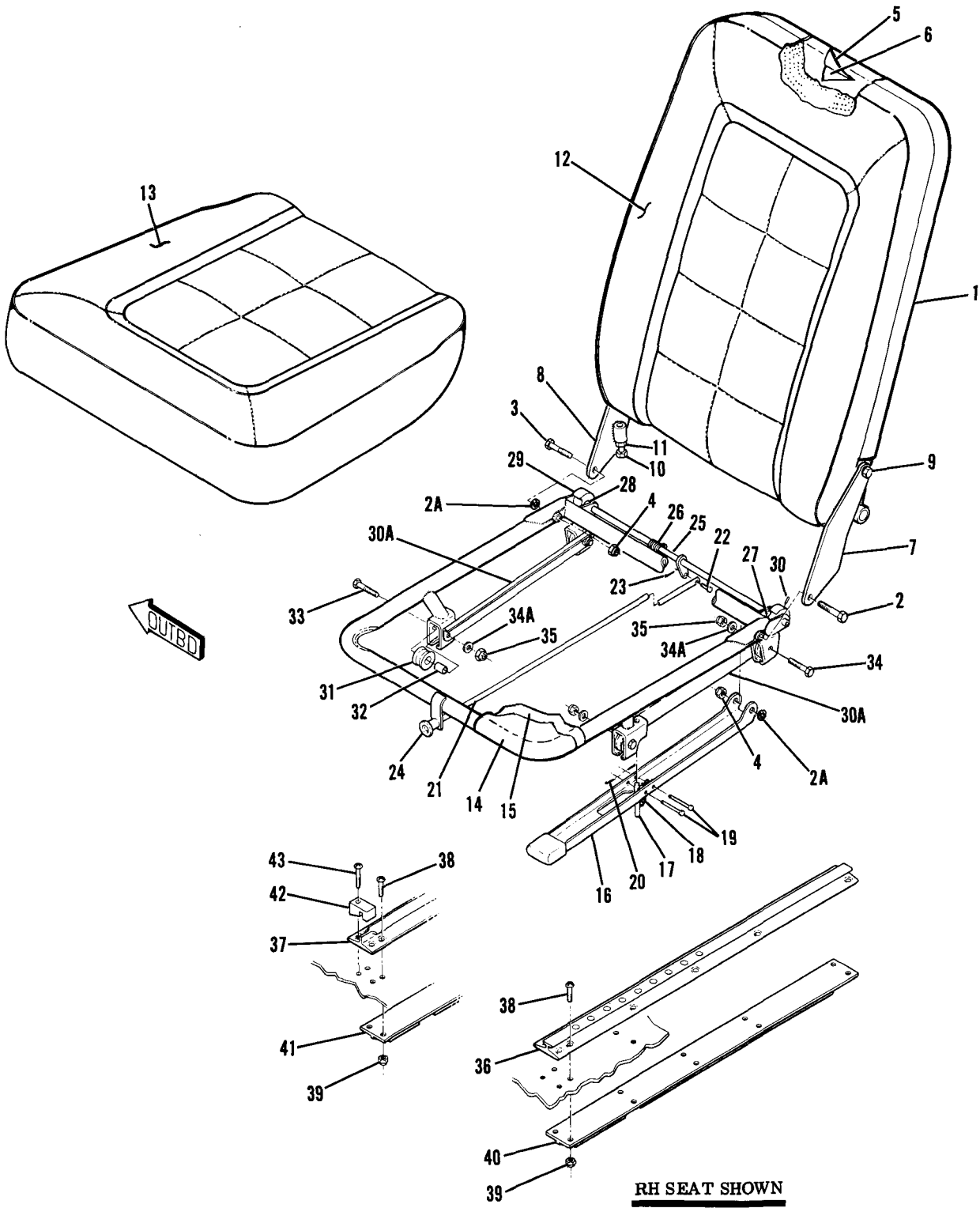
FIGURE AND INDEX NO.	PART NUMBER		DESCRIPTION	UNITS PER ASSY	USABLE ON CODE
			1 2 3 4 5 6 7		
45A-			RECLINING SEAT INSTALLATION-AEROBAT -----	NP	A
	0414034-1	#	SEAT ASSEMBLY-RECLINING LH -----	1	
	0414034-2	#	SEAT ASSEMBLY-RECLINING RH -----	1	
- 1			SEAT BACK ASSEMBLY -----	NP	
			ATTACHING PARTS		
- 2	AN4-14A		BOLT -----	2	
- 3	AN960-416L		WASHER -----	1	B
- 4	MS21042L4		NUT -----	2	
			---*---		
- 5	0414034-12	#	COVER ASSEMBLY-SEAT BACK FRAME -----	1	
- 6	0414033-8		DIAPHRAGM-SEAT BACK -----	1	
			ATTACHING PARTS		
	S102144-6		SCREW -----	5	
	AN960-4L		WASHER -----	5	
			---*---		
- 7	0414038-1		HINGE ASSEMBLY-LH -----	1	
- 8	0414038-2		HINGE ASSEMBLY-RH -----	1	
			ATTACHING PARTS		
- 9	AN4-14A		BOLT -----	1	
	AN960-416		WASHER -----	1	
	MS21042L4		NUT -----	1	
			---*---		
CONTINUED ON NEXT PAGE					

FIGURE AND INDEX NO.	PART NUMBER	DESCRIPTION	UNITS PER ASSY	USABLE ON CODE
		1 2 3 4 5 6 7		
45A-10	NAS428-4-6	BOLT-SEAT STOP -----	2	
-11	AN315-4R	NUT-SEAT STOP -----	2	
-12	0414034-7 #	CUSHION ASSEMBLY-SEAT BACK LH -----	1	
	0414034-8 #	CUSHION ASSEMBLY-SEAT BACK RH -----	1	
-13	0414034-3 #	CUSHION ASSEMBLY-SEAT BOTTOM LH -----	1	
	0414034-4 #	CUSHION ASSEMBLY-SEAT BOTTOM RH -----	1	
		SEAT BOTTOM ASSEMBLY -----	NP	
-14	0414034-13 #	COVER ASSEMBLY-SEAT BOTTOM -----	1	
-15	0414033-4	DIAPHRAGM-SEAT BOTTOM -----	1	
-16	0414035-10	LEVER ASSEMBLY-SEAT LATCH -----	1	
-17	0414035-6	PIN-SEAT LATCH -----	1	
-18	0411265-2	SPRING-SEAT LATCH -----	1	
-19	MS20392-1C39	PIN -----	2	
-20	MS24665-132	COTTER PIN -----	2	
-21	0411268-3	HANDLE ASSEMBLY-RECLINING SEAT -----	1	
		ATTACHING PARTS		
-22	MS20392-1C11	PIN -----	1	
-23	MS24665-132	COTTER PIN -----	1	
		---*---		
-24	0713303-19	KNOB-RECLINING SEAT -----	1	
		ATTACHING PARTS		
	NAS561CF2-6	ROLL PIN -----	1	
		---*---		
-25	0414025-1	BRACE -----	2	
-26	0311310	ROLLER -----	4	
		ATTACHING PARTS		
-27	0311586	BUSHING -----	1	
-28	AN3-11A	BOLT FWD ROLLERS ONLY -----	1	
-29	AN3-13A	BOLT AFT ROLLERS ONLY -----	1	
-30	MS21044N3	NUT -----	1	
		---*---		
-31	0414035-15	SHAFT ASSEMBLY-RECLINING SEAT -----	1	
-32	0411266-1	SPRING-RECLINING SEAT -----	1	
-33	0411267-1	CAM-RECLINING SEAT -----	2	
		ATTACHING PARTS		
-34	NAS561CF3-14	ROLL PIN -----	1	
		---*---		
-35	0410230-3	SEAT RAIL-LH OUTBOARD & RH INBOARD -----	2	
	0410230-2	SEAT RAIL-RH OUTBOARD & LH INBOARD -----	2	
		ATTACHING PARTS		
-36	NAS221-8	SCREW -----	9	
-37	MS21044N3	NUT -----	9	
		---*---		
-38	0410230-4	STIFFENER ASSEMBLY -----	3	
-39	NAS682A3	NUTPLATE -----	1	
-40	0713074-1	SEAT STOP -----	4	
		ATTACHING PARTS		
-41	NAS43DD1-9	SPACER -----	2	
-42	MS20392-1C21	PIN -----	1	
-43	MS24665-132	COTTER PIN -----	1	
		---*---		
-44	0410232-1	SEAT STOP -----	2	
		ATTACHING PARTS		
-45	NAS221-17	SCREW -----	1	
		---*---		

NOTE. #THIS PART NUMBER MUST HAVE A SECOND DASH NUMBER ADDED TO DENOTE COLOR. REFER TO HOW TO ORDER UPHOLSTERED PARTS-PAGE VI.

A---A150 SERIAL A1500277 THRU A1500342
 B---A150 SERIAL A1500227 THRU A1500298

Seat (Cont)



**A150 SERIAL A1500343 THRU A1500523
FA150 SERIAL FA1500167 THRU FA1500261**

Figure 45B. Reclining Seat Installation - Aerobat

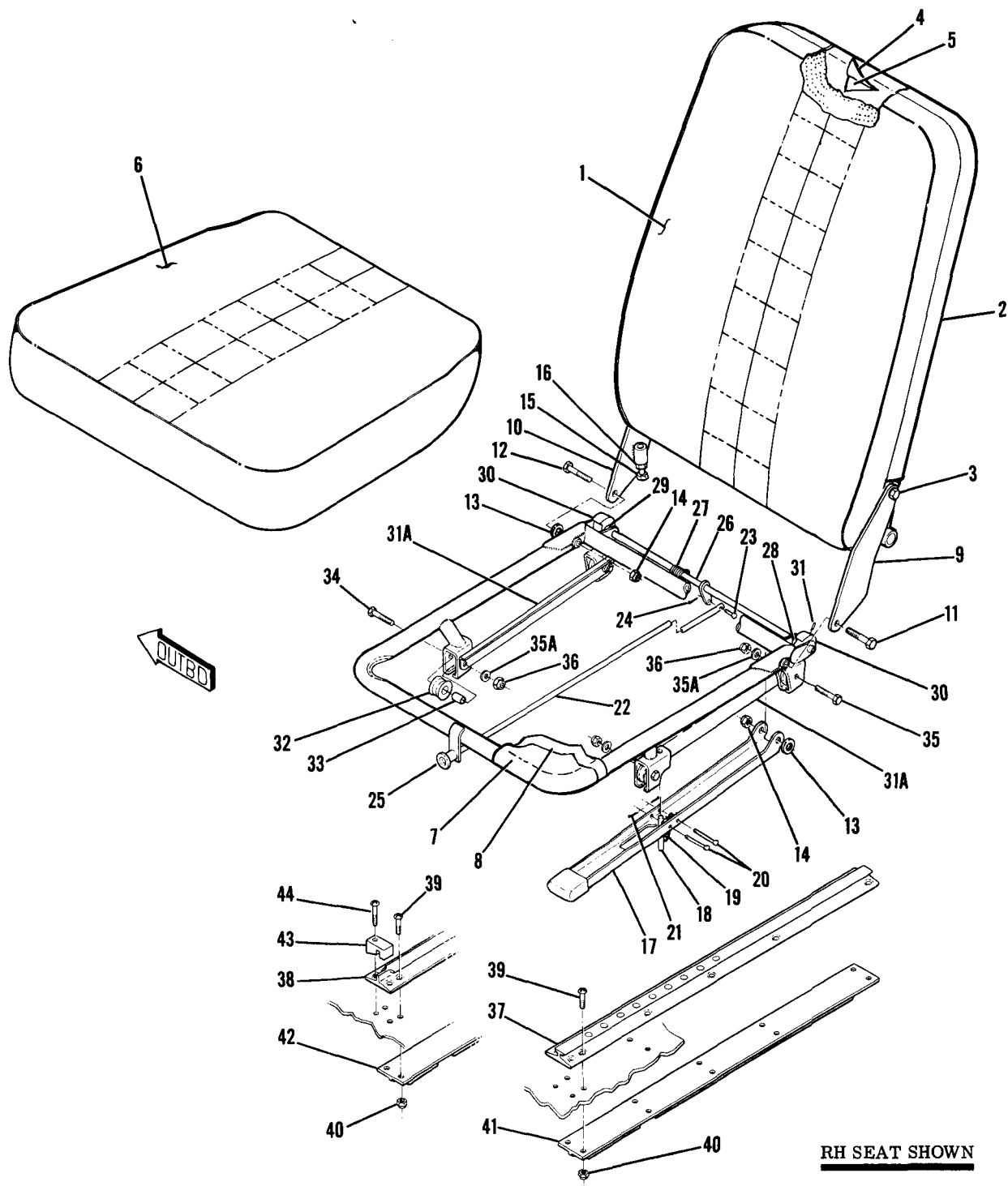
FIGURE AND INDEX NO.	PART NUMBER		DESCRIPTION	UNITS PER ASSY	USABLE ON CODE
45B-			RECLINING SEAT INSTALLATION-AEROBAT -----	NP	A
	0414042-1	#	SEAT ASSEMBLY-RECLINING LH -----	1	B
	0414042-2	#	SEAT ASSEMBLY-RECLINING RH -----	1	B
	0415008-1	#	SEAT ASSEMBLY-RECLINING LH -----	1	C
	0415008-2	#	SEAT ASSEMBLY-RECLINING RH -----	1	C
- 1			SEAT BACK ASSEMBLY -----	NP	
			ATTACHING PARTS -----		
- 2	AN4-15A		BOLT INBD -----	1	
- 2A	AN960-416L		WASHER -----	2	
- 3	AN4-14A		BOLT OUTBD -----	1	
- 4	MS21042L4		NUT -----	2	
			-----*		
- 5	0414034-12	#	COVER ASSEMBLY-SEAT BACK FRAME -----	1	B
	0415008-23	#	COVER ASSEMBLY-SEAT BACK FRAME -----	1	C
- 6	0414033-8		DIAPHRAGM-SEAT BACK -----	1	
			ATTACHING PARTS -----		
	S1021A4-6		SCREW -----	5	
	AN960-4L		WASHER -----	5	
			-----*		
- 7	0414039-1		HINGE ASSEMBLY-LH -----	1	
- 8	0414039-2		HINGE ASSEMBLY-RH -----	1	
			ATTACHING PARTS -----		
- 9	AN4-14A		BOLT -----	1	
	AN960-416		WASHER -----	1	
	MS21042L4		NUT -----	1	
			-----*		
-10	NAS428-4-6		BOLT-SEAT STOP -----	2	
-11	AN315-4R		NUT-SEAT STOP -----	2	
-12	0414034-8	#	CUSHION ASSEMBLY-SEAT BACK RH -----	1	B
	0414034-7	#	CUSHION ASSEMBLY-SEAT BACK LH -----	1	B
	0415008-6	#	CUSHION ASSEMBLY-SEAT BACK RH -----	1	C
	0415008-5	#	CUSHION ASSEMBLY-SEAT BACK LH -----	1	C
-13	0414042-4	#	CUSHION ASSEMBLY-SEAT BOTTOM RH -----	1	B
	0414042-3	#	CUSHION ASSEMBLY-SEAT BOTTOM LH -----	1	B
	0415008-4	#	CUSHION ASSEMBLY-SEAT BOTTOM RH -----	1	C
	0415008-3	#	CUSHION ASSEMBLY-SEAT BOTTOM LH -----	1	C
			SEAT BOTTOM ASSEMBLY -----	NP	
-14	0414042-8	#	COVER ASSEMBLY-SEAT BOTTOM FRAME -----	1	B
	0415008-24	#	COVER ASSEMBLY-SEAT BOTTOM FRAME -----	1	C
-15	0414041-4		DIAPHRAGM-SEAT BOTTOM -----	1	
-16	0414040-11		LEVER ASSEMBLY-SEAT LATCH -----	1	
-17	0414035-6		PIN-SEAT LATCH -----	1	
-18	0411265-2		SPRING-SEAT LATCH -----	1	
-19	MS20392-1C35		PIN -----	2	
-20	MS24665-132		COTTER PIN -----	2	
-21	0411268-3		HANDLE ASSEMBLY-RECLINING SEAT -----	1	
			ATTACHING PARTS -----		
-22	MS20392-1C11		PIN -----	1	
-23	MS24665-132		COTTER PIN -----	1	
			-----*		
-24	0713303-19		KNOB-RECLINING SEAT -----	1	
			ATTACHING PARTS -----		
	NAS561CF2-6		ROLL PIN -----	1	
			-----*		
-25	0414040-15		SHAFT ASSEMBLY-RECLINING SEAT -----	1	
-26	0411266-1		SPRING -----	1	
-27	NAS43HT5-14		SPACER INBD -----	1	
-28	NAS43HT5-24		SPACER OUTBD -----	1	
-29	0411267-1		CAM-RECLINING SEAT -----	2	
			ATTACHING PARTS -----		
-30	NAS561C3-14		ROLL PIN -----	1	
			-----*		
-30A	0414066-1		BRACE -----	2	
-31	0311310		ROLLER -----	4	
			ATTACHING PARTS -----		
-32	0311586		BUSHING -----	1	
-33	AN3-11A		BOLT FWD ROLLERS USED WITHOUT 0414066-1 BRACE -----	1	
	AN3-12A		BOLT FWD ROLLERS USED WITH 0414066-1 BRACE -----	1	
-34	AN3-12A		BOLT AFT ROLLERS USED WITHOUT 0414066-1 BRACE -----	1	
	AN3-13A		BOLT AFT ROLLERS USED WITH 0414066-1 BRACE -----	1	
-34A	AN960-10		WASHER USED WITH 0414066-1 BRACE -----	1	
-35	MS21044N3		NUT -----	1	
			-----*		

CONTINUED ON NEXT PAGE

FIGURE AND INDEX NO.	PART NUMBER	DESCRIPTION	UNITS PER ASSY	USABLE ON CODE
		1 2 3 4 5 6 7		
45B-36	0410235-3	SEAT RAIL-INBD WEU 0410235-6 -----	2	
	0410235-6	SEAT RAIL-INBD -----	2	
-37	0410235-1	SEAT RAIL-LH OUTBD -----	1	
	0410235-2	SEAT RAIL-RH OUTBD -----	1	
		ATTACHING PARTS		
-38	NAS221-8	SCREW -----	10	
-39	MS21044N3	NUT -----	10	
		---*---		
-40	0410236-2	STIFFENER RH INBD ONLY -----	1	
-41	0410236-1	STIFFENER OUTBD -----	2	
-42	0410232-1	SEAT STOP OUTBD RAIL ONLY -----	2	
		ATTACHING PARTS		
-43	NAS221-17	SCREW -----	1	
		---*---		
		NOTE. #THIS PART NUMBER MUST HAVE A SECOND DASH NUMBER ADDED TO DENOTE COLOR. REFER TO HOW TO ORDER UPHOLSTERED PARTS--PAGE VI.		
		A---A150 SERIAL A1500343 THRU A1500523 FA150 SERIAL FA1500167 THRU FA1500261		
		B---A150 SERIAL A1500343 THRU A1500429 FA150 SERIAL FA1500167 THRU FA1500211		
		C---A150 SERIAL A1500430 THRU A1500523 FA150 SERIAL FA1500212 THRU FA1500261		



Seat (Cont)



**A150 SERIAL A1500524 & ON
FA150 SERIAL FA1500262 & ON**

Figure 45C. Reclining Seat Installation - Aerobat



FIGURE AND INDEX NO.	PART NUMBER		DESCRIPTION							UNITS PER ASSY	USABLE ON CODE
			1	2	3	4	5	6	7		
45C-			RECLINING SEAT INSTALLATION-AEROBAT -----							NP	A
	0414049-2	#	SEAT ASSY-RECLINING RH -----							1	
	0414049-1	#	SEAT ASSY-RECLINING LH -----							1	
- 1	0414049-4	#	UPHOLSTERED CUSHION ASSY-SEAT BACK -----							1	
- 2	0414049-9	#	SEAT BACK ASSY -----							1	
			ATTACHING PARTS								
- 3	AN4-14A		BOLT -----							2	
	AN960-416		WASHER UNDER BOLT HEAD -----							2	
	MS21042L4		NUT -----							2	
			-----*								
- 4	0415008-23	#	COVER ASSY-SEAT BACK FRAME -----							1	
- 5	0414033-8		DIAPHRAGM-SEAT BACK -----							1	
			ATTACHING PARTS								
	S1021A4-6		SCREW -----							4	
	AN960-4L		WASHER -----							4	
			-----*								
- 6	0414049-3	#	UPHOLSTERED CUSHION ASSY-SEAT BOTTOM -----							1	
	0414049-6	#	SEAT BOTTOM ASSY-RH -----							1	
	0414049-5	#	SEAT BOTTOM ASSY-LH -----							1	
- 7	0415008-24	#	COVER ASSY-SEAT BOTTOM FRAME -----							1	
- 8	0414041-4		DIAPHRAGM-SEAT BOTTOM -----							1	
- 9	0414039-1		HINGE ASSY-LH -----							1	
-10	0414039-2		HINGE ASSY-RH -----							1	
			ATTACHING PARTS								
-11	AN4-15A		BOLT INBD -----							1	
-12	AN4-14A		BOLT OUTBD -----							1	
-13	AN960-416L		WASHER -----							1	
-14	MS21042L4		NUT -----							1	
			-----*								
-15	NAS428-4-6		BOLT-SEAT STOP -----							2	
-16	AN315-4R		NUT-SEAT STOP -----							2	
-17	0414040-11		LEVER ASSY-SEAT LATCH -----							1	
-18	0414035-6		PIN-SEAT LATCH -----							1	
-19	0411265-2		SPRING-SEAT LATCH -----							1	
-20	MS20392-1C35		PIN -----							2	
-21	MS24665-132		COTTER PIN -----							2	
-22	0411268-3		HANDLE ASSY-RECLINING SEAT -----							1	
			ATTACHING PARTS								
-23	MS20392-1C11		PIN -----							1	
-24	MS24665-132		COTTER PIN -----							1	
			-----*								
-25	0713303-19		KNOB-RECLINING SEAT -----							1	
			ATTACHING PARTS								
	NAS561CF2-6		ROLL PIN -----							1	
			-----*								
-26	0414040-15		SHAFT ASSY-RECLINING SEAT -----							1	
-27	0411266-1		SPRING -----							1	
-28	NAS43HT5-14		SPACER INBD -----							1	
-29	NAS43HT5-24		SPACER OUTBD -----							1	
-30	0411267-1		CAM-RECLINING SEAT -----							2	
			ATTACHING PARTS								
-31	NAS561C3-14		ROLL PIN -----							1	
			-----*								
-31A	0414066-1		BRACE -----							2	
-32	0311310		ROLLER -----							4	
			ATTACHING PARTS								
-33	0311586		BUSHING -----							1	
-34	AN3-11A		BOLT FWD ROLLERS USED WITHOUT 0414066-1 BRACE -----							1	
	AN3-12A		BOLT FWD ROLLERS USED WITH 0414066-1 BRACE -----							1	
-35	AN3-12A		BOLT AFT ROLLERS USED WITHOUT 0414066-1 BRACE -----							1	
	AN3-13A		BOLT AFT ROLLERS USED WITH 0414066-1 BRACE -----							1	
-35A	AN960-10		WASHER USED WITH 0414066-1 BRACE -----							1	
-36	MS21044N3		NUT -----							1	
			-----*								

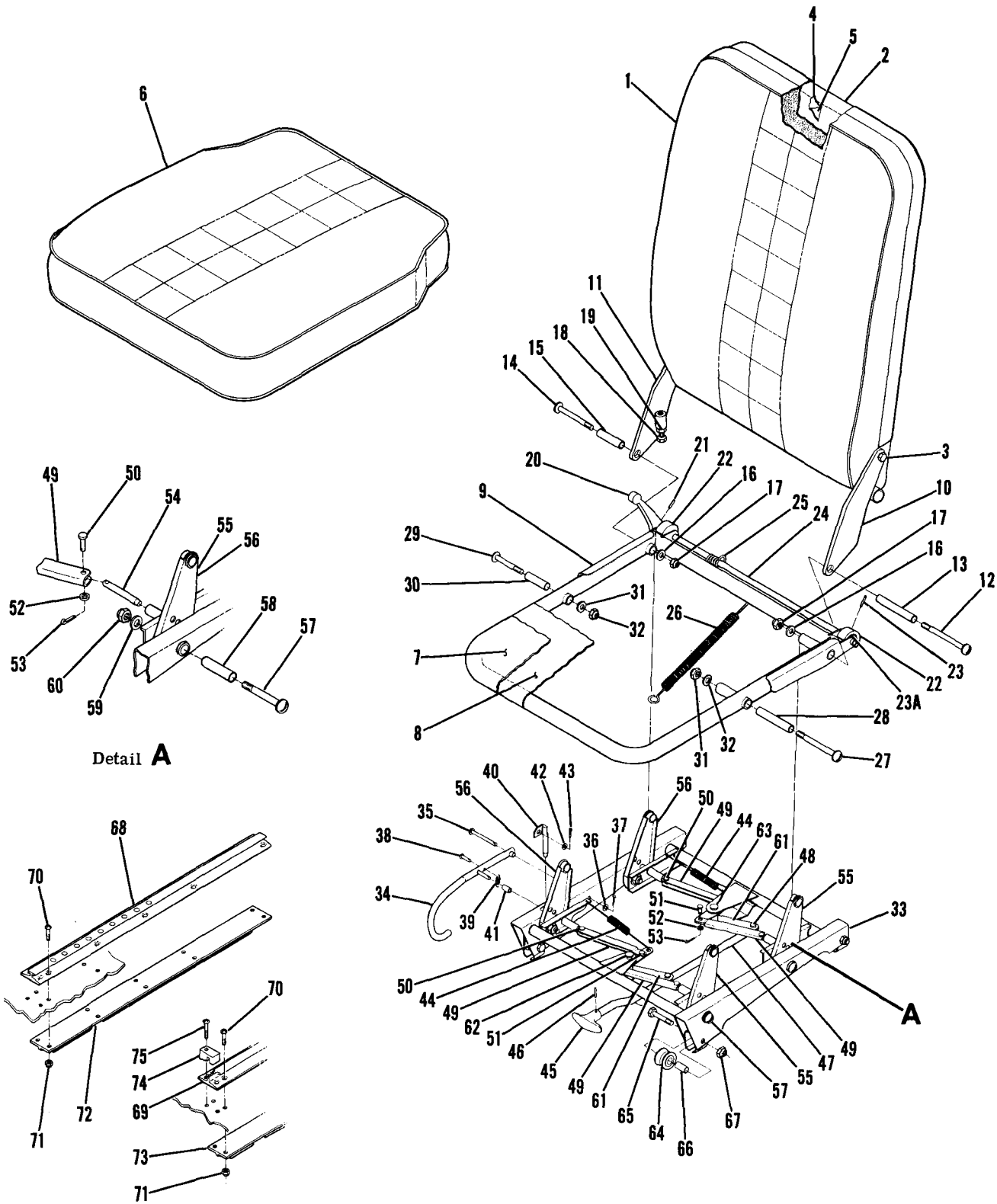
CONTINUED ON NEXT PAGE

FIGURE AND INDEX NO.	PART NUMBER	DESCRIPTION	UNITS PER ASSY	USABLE ON CODE
45C-37	0410235-3	SEAT RAIL-INBD WEU 0410235-6 -----	2	B
	0410235-6	SEAT RAIL-INBD -----	2	C
-38	0410235-1	SEAT RAIL-LH OUTBD -----	1	
	0410235-2	SEAT RAIL-RH OUTBD -----	1	
		ATTACHING PARTS		
-39	NAS221-8	SCREW -----	10	
-40	MS21044N3	NUT -----	10	
		-----*		
-41	0410236-2	STIFFENER RH INBD ONLY -----	1	
-42	0410236-1	STIFFENER OUTBD -----	2	
-43	0410232-1	SEAT STOP OUTBD RAIL ONLY -----	2	
		ATTACHING PARTS		
-44	NAS221-17	SCREW -----	1	
		-----*		
<p>NOTE. #THIS PART NUMBER MUST HAVE A SECOND DASH NUMBER ADDED TO DENGTE COLOR. REFER TO HOW TO ORDER UPHOLSTERED PARTS-PAGE VI.</p> <p>A---A150 SERIAL A1500524 & ON FA150 SERIAL FA1500262 & ON</p> <p>B---A150 SERIAL A1500524 THRU A1500647 FA150 SERIAL FA1500262 THRU FA1500301</p> <p>C---A150 SERIAL A1500648 & ON FA150 SERIAL FA1500302 & ON</p>				

FIGURE AND INDEX NO.	PART NUMBER		DESCRIPTION	UNITS PER ASSY	USABLE ON CODE
			1 2 3 4 5 6 7		
45D-			VERTICAL ADJUSTABLE SEAT INSTALLATION-AEROBAT -----	N	A
	0414058-1	#	SEAT ASSY-VERTICAL ADJUSTABLE LH -----	1	
	0414058-2	#	SEAT ASSY-VERTICAL ADJUSTABLE RH -----	1	
- 1	0414049-4	#	UPHOLSTERED CUSHION ASSY-SEAT BACK -----	1	
- 2	0414049-9	#	SEAT BACK ASSY -----	1	
			ATTACHING PARTS		
- 3	AN4-14A		BOLT -----	2	
	AN960-416		WASHER UNDER BOLT HEAD -----	2	
	MS21042L4		NUT -----	2	
			---*---		
- 4	0415008-23	#	COVER ASSY-SEAT BACK FRAME -----	1	
- 5	0414033-8	#	DIAPHRAGM-SEAT BACK -----	1	
			ATTACHING PARTS		
	S1021A4-6		SCREW -----	4	
	AN960-4L		WASHER -----	4	
			---*---		
- 6	0414049-3	#	UPHOLSTERED CUSHION ASSY-SEAT BOTTOM -----	1	
	0414058-3	#	SEAT BOTTOM ASSY-LH -----	1	
	0414058-4	#	SEAT BOTTOM ASSY-RH -----	1	
- 7	0415008-24	#	COVER ASSY-SEAT BOTTOM FRAME -----	1	
- 8	0414041-4		DIAPHRAGM-SEAT BOTTOM -----	1	
	0414065-1		SCUFF PLATE-DIAPHRAGM -----	2	
- 9	0414053-1		FRAME ASSY-LH -----	1	
	0414053-2		FRAME ASSY-RH -----	1	
-10	0414039-5		HINGE ASSY-LH -----	1	
-11	0414039-6		HINGE ASSY-RH -----	1	
			ATTACHING PARTS		
-12	AN24-48A		BOLT OUTBD -----	1	
-13	0414054-22		SPACER OUTBD -----	1	
-14	AN24-32A		BOLT INBD -----	1	
-15	0414054-20		SPACER INBD -----	1	
-16	AN960-416		WASHER -----	1	
-17	MS21044N4		NUT -----	1	
			---*---		
-18	NAS428-4-6		BOLT-SEAT STOP -----	2	
-19	AN315-4R		NUT-SEAT STOP -----	2	
-20	0710312-3		HANDLE-RECLINING SEAT -----	1	
			ATTACHING PARTS		
-21	NAS561C3-10		ROLL PIN -----	1	
			---*---		
-22	0411267-1		CAM-RECLINING SEAT -----	2	
			ATTACHING PARTS		
-23	NAS561C3-14		ROLL PIN -----	1	
			---*---		
-23A	AN960-516		WASHER -----	4	
-24	0414054-24		SHAFT-RECLINING SEAT-LH -----	1	
	0414054-35		SHAFT-RECLINING SEAT RH -----	1	
-25	0411266-1		SPRING-RECLINING SEAT -----	1	
-26	0414061-1		SPRING-VERTICAL SEAT ADJUST -----	1	
-27	AN24-44A		BOLT OUTBD -----	1	
-28	0414054-21		SPACER OUTBD -----	1	
-29	AN24-27A		BOLT INBD -----	1	
-30	0414054-18		SPACER INBD -----	1	
-31	AN960-416		WASHER -----	2	
-32	MS21044N3		NUT -----	2	
-33	0414053-3		PEDESTAL ASSY-WELDED LH -----	1	
	0414053-4		PEDESTAL ASSY-WELDED RH -----	1	
-34	0414054-41		HANDLE ASSY-LH -----	1	
	0414054-40		HANDLE ASSY-RH -----	1	
			ATTACHING PARTS		
-35	MS20392-1C47		PIN -----	1	
-36	AN960-4L		WASHER -----	1	
-37	MS24665-172		COTTER PIN -----	1	
			---*---		
-38	MS20392-1C11		PIN -----	1	
-39	0411265-2		SPRING -----	1	
-40	0414054-37		PIN ASSY-LOCKING LH -----	1	
	0414054-38		PIN ASSY-LOCKING RH -----	1	
			ATTACHING PARTS		
-41	NASHT1-27		SPACER -----	1	
-42	AN960-4L		WASHER -----	1	
-43	MS24665-172		COTTER PIN -----	1	
			---*---		
-44	1414116-3		SPRING -----	2	

CONTINUED ON NEXT PAGE

Seat (Cont)



A150 SERIAL A1500610 & ON
FA150 SERIAL FA1500282 & ON

Figure 45D. Vertical Adjustable Seat Installation - Aerobat

FIGURE AND INDEX NO.	PART NUMBER	DESCRIPTION	UNITS PER ASSY	USABLE ON CODE
450-45	0414057-1	HANDLE-SEAT RELEASE ----- ATTACHING PARTS -----	1	
-46	NAS561-3-8	ROLL PIN ----- -----*	1	
-47	0414054-11	SHAFT-SEAT RELEASE ----- ATTACHING PARTS -----	1	
-48	MS20392-2C15 AN960-10L MS24665-132	PIN ----- WASHER ----- COTTER PIN ----- -----*	2 2 2	
-49	0414054-5	LINKAGE ----- ATTACHING PARTS -----	4	
-50	MS20392-1C11	PIN -----	1	
-51	MS20392-1C7	PIN -----	1	
-52	AN960-4L	WASHER -----	2	
-53	MS24665-170	COTTER PIN ----- -----*	2	
-54	0414054-10	PIN-SEAT RELEASE -----	4	
-55	0414054-8	BELLCRANK ASSY-LH -----	2	
-56	0414054-7	BELLCRANK ASSY-RH ----- ATTACHING PARTS -----	2	
-57	AN24-30A	BOLT -----	1	
-58	0414054-19	SPACER -----	1	
-59	AN960-416	WASHER -----	1	
-60	MS21044N4	NUT ----- -----*	1	
-61	0414054-31	BELLCRANK ASSY ----- ATTACHING PARTS -----	2	
-62	MS20392-3C39	PIN FWD -----	1	
-63	MS20392-3C33 AN960-416L MS24665-134	PIN AFT ----- WASHER ----- COTTER PIN ----- -----*	1 1 1	
-64	0311310	ROLLER ----- ATTACHING PARTS -----	4	
-65	AN3-12A	BOLT -----	1	
-66	0311586	BUSHING -----	1	
-67	MS21044N3	NUT ----- -----*	1	
-68	0410235-3 0410235-6	SEAT RAIL-INBD WEU 0410235-6 ----- SEAT RAIL-INBD -----	2 2	B C
-69	0410235-1 0410235-2	SEAT RAIL-LH OUTBD ----- SEAT RAIL-RH OUTBD ----- ATTACHING PARTS -----	1 1	
-70	NAS221-8	SCREW -----	10	
-71	MS21044N3	NUT ----- -----*	10	
-72	0410236-2	STIFFENER RH INBD ONLY -----	1	
-73	0410236-1	STIFFENER OUTBD -----	2	
-74	0410232-1	SEAT STOP OUTBD RAILS ONLY ----- ATTACHING PARTS -----	2	
-75	NAS221-17	SCREW ----- -----*	1	

NOTE. #THIS PART NUMBER MUST HAVE A SECOND DASH NUMBER ADDED TO DENOTE COLOR. REFER TO HOW TO ORDER UPHOLSTERED PARTS-PAGE VI.

A---A150 SERIAL A1500610 & ON
FA150 SERIAL FA1500282 & ON
B---A150 SERIAL A1500610 THRU A1500647
FA150 SERIAL FA1500282 THRU FA1500301
C---A150 SERIAL A1500648 & ON
FA150 SERIAL FA1500302 & ON

Seat (Cont)

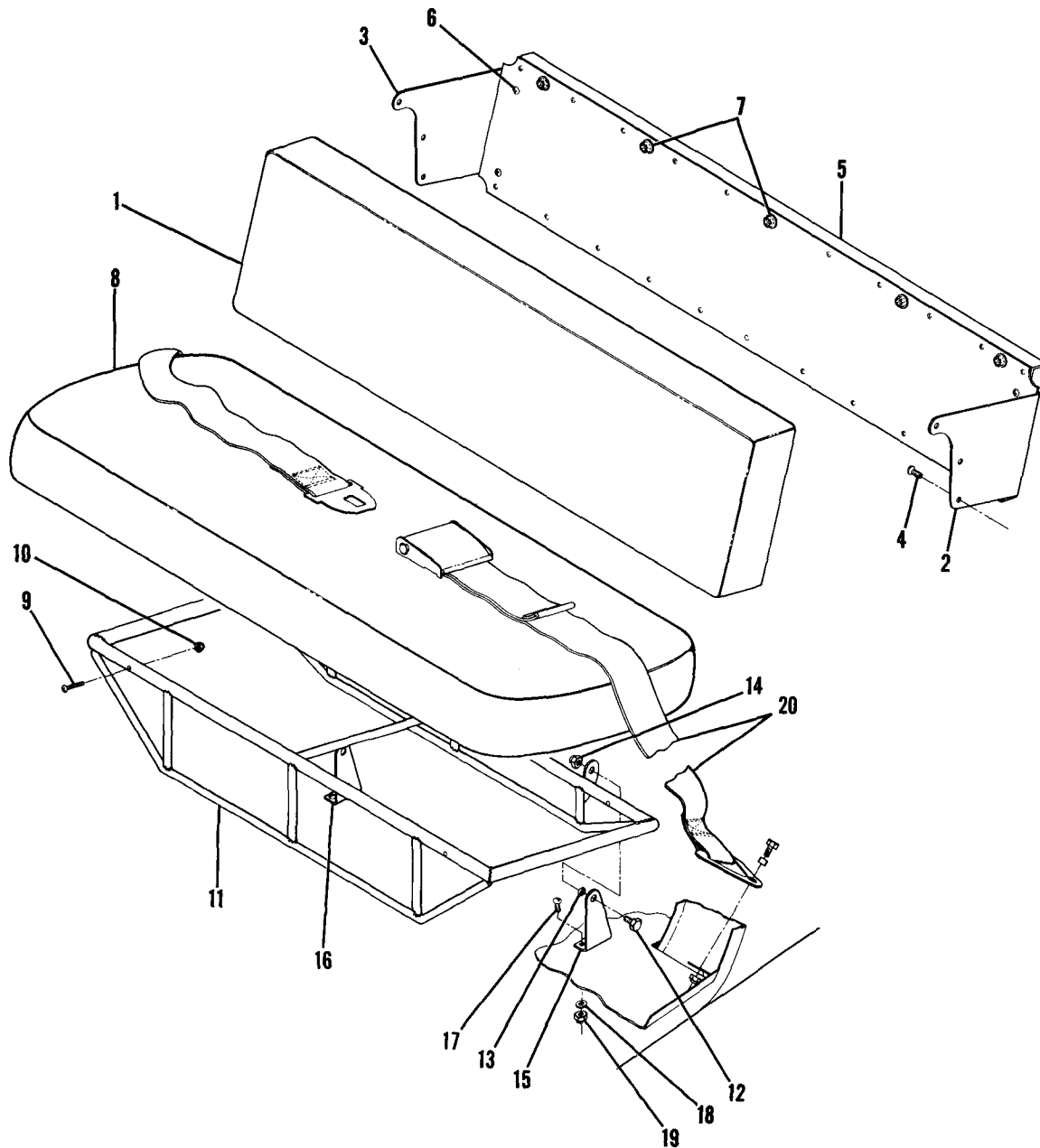
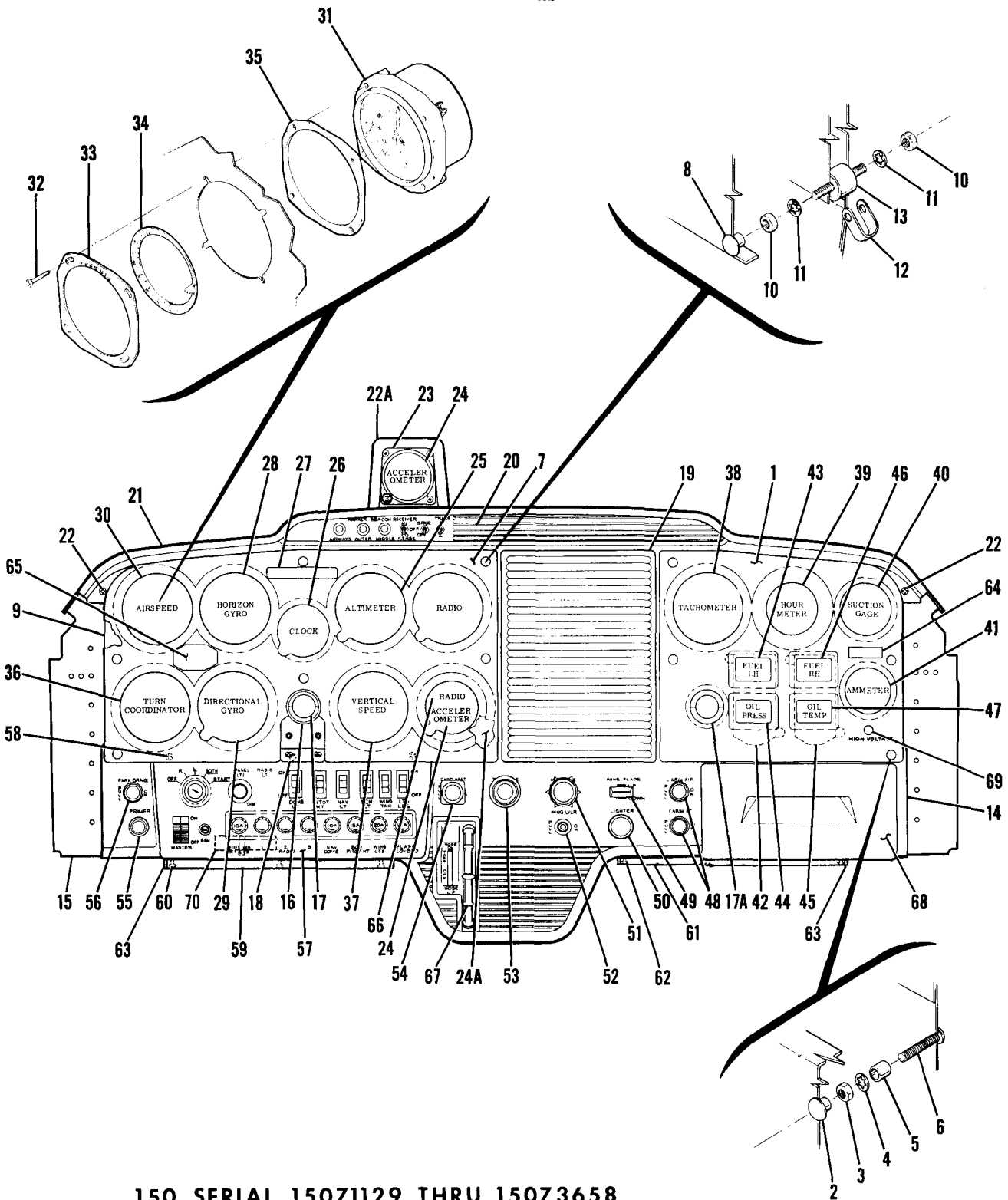


Figure 46. Auxiliary Seat Installation



FIGURE AND INDEX NO.	PART NUMBER		DESCRIPTION							UNITS PER ASSY	USABLE ON CODE
			1	2	3	4	5	6	7		
46 -			AUXILIARY SEAT INSTALLATION -----							NP	
- 1	0711080-1	#	BACKREST ASSEMBLY -----							1	
	AN227-7		SOCKET -----							5	
	AN227-6		BUTTON -----							5	
- 2	0400138-1	□	SUPPORT ASSEMBLY-BACKREST LH -----							1	
- 3	0400138-2	□	SUPPORT ASSEMBLY-BACKREST RH -----							1	
			ATTACHING PARTS -----								
- 4	NAS388-104		SCREW -----							3	
			-----*								
	NAS682A3K		NUTPLATE -----							2	
- 5	0400131-1		SEAT BACK SUPPORT ASSEMBLY -----							1	
			ATTACHING PARTS -----								
- 6	AN520-10R5		SCREW -----							4	
			-----*								
- 7	AN227-8		STUD -----							5	
	AN227-9		STUD -----							5	
- 8	0400136-6	#	SEAT BOTTOM ASSEMBLY -----							1	A
	0400136-9	#	SEAT BOTTOM ASSEMBLY -----							1	B
			ATTACHING PARTS -----								
- 9	AN315-8R14		SCREW -----							4	
-10	MS21044N08		NUT -----							4	
			-----*								
-11	0400134-5	□	FRAME ASSEMBLY -----							1	
			ATTACHING PARTS -----								
-12	AN3-4A		BOLT -----							2	
-13	NAS43HT3-6		SPACER -----							2	
-14	MS21044N3		NUT -----							2	
			-----*								
-15	0711098-7		HINGE-FLOOR FITTING LH -----							1	
-16	0711098-8		HINGE-FLOOR FITTING RH -----							1	
			ATTACHING PARTS -----								
-17	AN515-8R8		SCREW -----							2	
-18	AN960-8		WASHER -----							2	
-19	MS21044N08		NUT -----							2	
			-----*								
-20	SEE FIG 50A		SEAT BELT INSTL -----							1	
<p>NOTE. #THIS PART NUMBER MUST HAVE A SECOND DASH NUMBER ADDED TO DENOTE COLOR. REFER TO HOW TO ORDER UPHOLSTERED PARTS-PAGE VI.</p> <p>NOTE. #THIS PART NUMBER MUST HAVE A SECOND DASH NUMBER ADDED TO DENOTE COLOR. REFER TO HOW TO ORDER INTERIOR PARTS-PAGE VII.</p> <p>A---150 SERIAL 15071129 THRU 15073658 F150 SERIAL F15000530 THRU F15000863 A150 SERIAL A1500001 THRU A1500342 FA150 SERIAL FA150001 THRU FA1500166</p> <p>B---150 SERIAL 15073659 & ON F150 SERIAL F15000864 & ON A150 SERIAL A1500343 & ON FA150 SERIAL FA1500167 & ON</p>											

Instruments



150 SERIAL 15071129 THRU 15073658
 F150 SERIAL F15000530 THRU F15000863
 A150 SERIAL A1500001 THRU A1500342
 FA150 SERIAL FA1500001 THRU FA1500166

15071129 THRU 15072628
 F15000530 THRU F15000738
 A1500001 THRU A1500276
 FA1500001 THRU FA1500166

Figure 47. Instrument Panel Equipment Installation