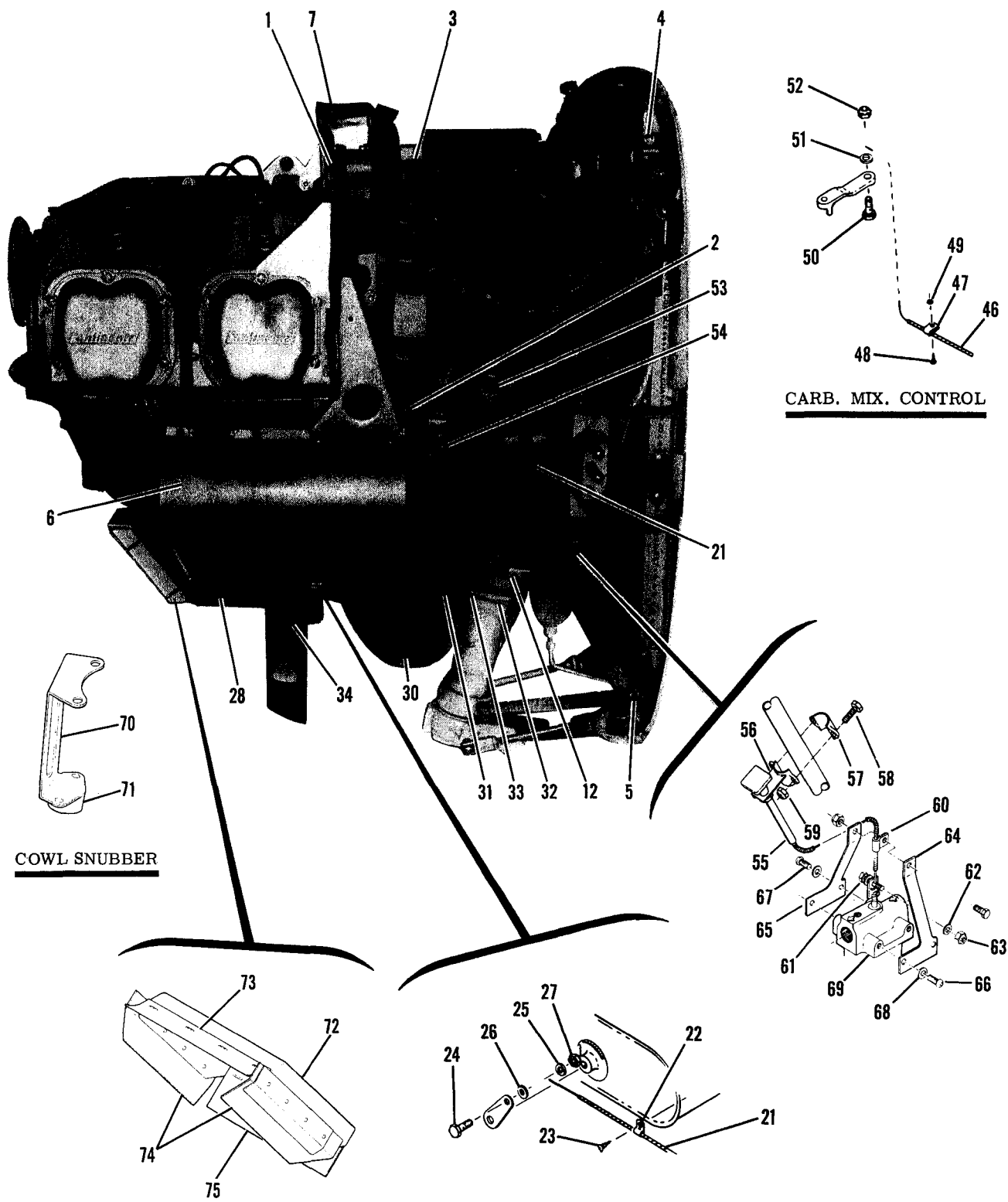


Engine

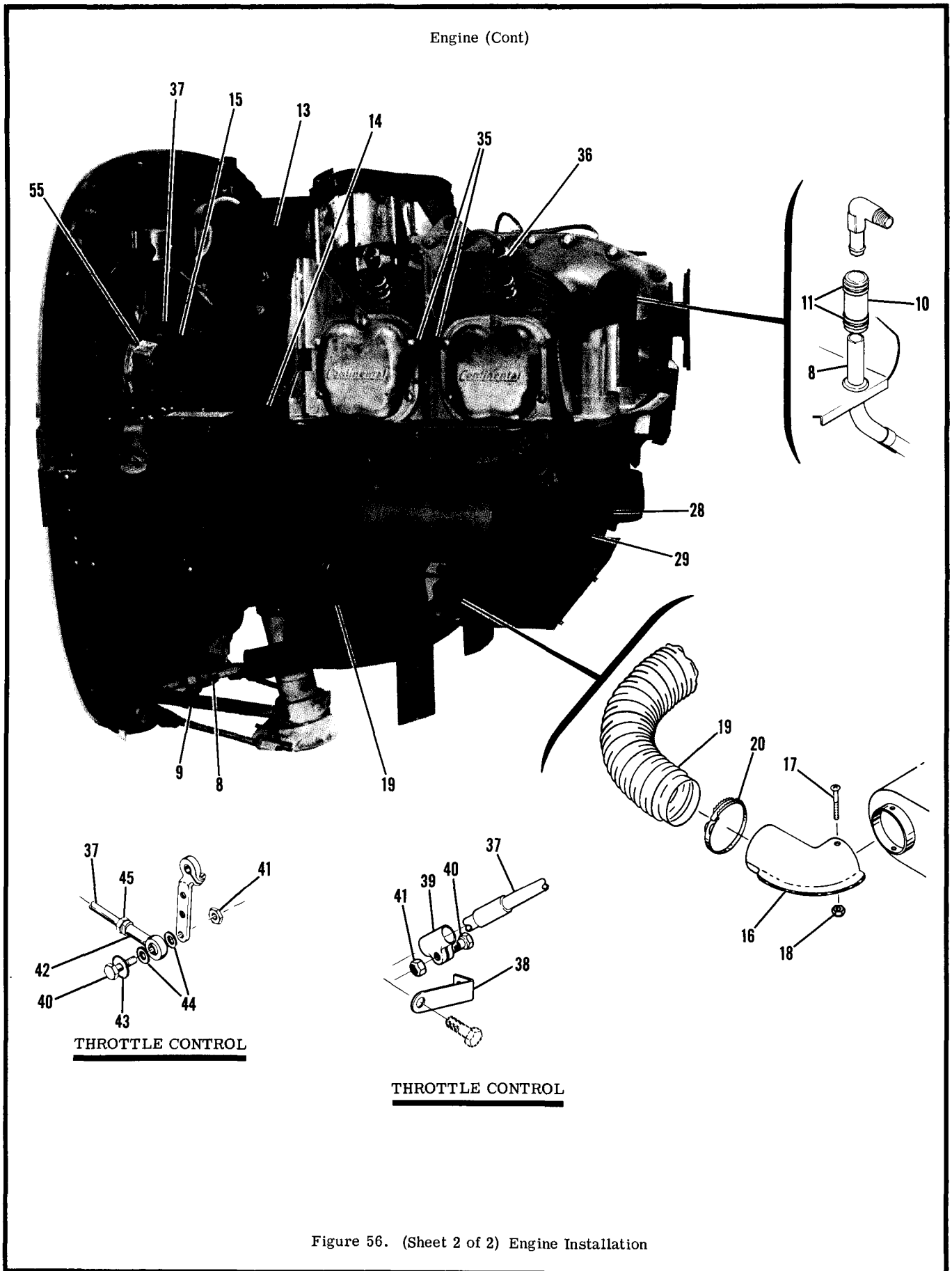


CARB. MIX. CONTROL

COWL SNUBBER

Figure 56. (Sheet 1 of 2) Engine Installation

Engine (Cont)



THROTTLE CONTROL

THROTTLE CONTROL

Figure 56. (Sheet 2 of 2) Engine Installation

FIGURE AND INDEX NO.	PART NUMBER	DESCRIPTION	UNITS PER ASSY	USABLE ON CODE
56 -	0-200A	ENGINE INSTALLATION ----- ENGINE SPEC 48 CM ----- ATTACHING PARTS -----	NP 1	
- 1	AN6-54A	BOLT UPPER FWD MOUNTS ONLY -----	2	G
	AN6-43A	BOLT UPPER FWD MOUNTS ONLY -----	2	H
- 2	AN6-43A	BOLT LWR FWD LH MOUNT ONLY -----	1	
	AN6-44A	BOLT LWR FWD RH MOUNT ONLY -----	1	
	0551012-2	STRAP-GROUND LWR FWD MOUNTS ONLY -----	2	
	AN960-616	WASHER -----	3	
	MS21042L6	NUT -----	4	
- 3	0451120-1	MOUNT ASSEMBLY-ENGINE -----	1	
- 4	AN5-22A	BOLT UPPER AFT MOUNTS ONLY -----	2	
- 5	AN5-20A	BOLT LOWER AFT MOUNTS ONLY -----	2	
	AN960-516	WASHER -----	4	
	S1450-5-18-063	WASHER -----	4	
	MS20365-524C	NUT -----	4	
	SEE FIG 57	ENGINE COMPONENTS & ACCESSORIES -----	1	
- 6	SEE FIG 58	ENGINE EXHAUST STACK ASSEMBLY -----	1	
- 7	SEE FIG 59	ENGINE BAFFLES INSTALLATION -----	1	E
	SEE FIG 59A	ENGINE BAFFLES INSTALLATION -----	1	F
- 8	0456004-2	LINE-VENT -----	1	
		ATTACHING PARTS -----		
- 9	S1485D10U	CLAMP -----	1	
	S1021Z8-10	SCREW -----	1	
		-----*		
-10	S51-10	HOSE 4.75 IN LG BULK ITEM REF S51-10-19 -----	1	
		ATTACHING PARTS -----		
-11	NAS397-16	CLAMP -----	2	
		-----*		
-12	S1167-6-0230	HOSE ASSEMBLY-FUEL CARB TO STRAINER -----	1	E
	S1167-6-0194	HOSE ASSEMBLY-FUEL CARB TO STRAINER -----	1	F
		ATTACHING PARTS -----		
	AN816-6D	NIPPLE -----	1	
	MS20822-6-6D	ELBOW -----	1	A
	AN816-6-6D	NIPPLE -----	1	B
	AN912-2D	BUSHING -----	1	F
	MS20823-6D	ELBOW -----	1	F
		-----*		
-13	S1053E8T	HOSE-BLAST 19.75 IN LG BULK ITEM REF S1053E8T19.75 -----	1	
		ATTACHING PARTS -----		
	NAS397-16	CLAMP -----	1	
	NAS397-18	CLAMP -----	1	
		-----*		
-14	0750139	ADAPTER-OIL TEMPERATURE -----	1	L
	S1630-4	SENDING UNIT-OIL TEMPERATURE -----	1	M
	MS35769-11	GASKET -----	1	M
-15	SEE FIG 78	HOSE ASSEMBLY-OIL PRESSURE -----	1	
-16	0450314	FITTING ASSEMBLY-CARBURETOR HEAT -----	1	
		ATTACHING PARTS -----		
-17	AN515-8R40	SCREW -----	1	
-18	MS21045L08	NUT -----	1	
		-----*		
-19	S1053K16T	HOSE-CARB AIR BOX TO RH SHROUD 17.0 IN LG BULK ITEM REF S1053K16T17.0 -----	1	
		ATTACHING PARTS -----		
-20	NAS397-34	CLAMP -----	2	
		-----*		
-21	S1230-19	CONTROL-CARBURETOR HEAT -----	1	
		ATTACHING PARTS -----		
-22	S1485D3U	CLAMP -----	2	
-23	S1021Z6-8	SCREW -----	1	
-24	0450311	CLAMP -----	1	
-25	AN960-10	WASHER -----	1	
-26	AN960-10L	WASHER -----	1	
-27	MS21045L3	NUT -----	1	
	AN742D2	CLAMP FASTEN CARB HEAT CONTROL TO MOUNT -----	1	
	S1485D8U	CLAMP FASTEN CARB HEAT CONTROL TO MOUNT -----	1	
	S1021Z8-8	SCREW FASTEN CARB HEAT CONTROL TO MOUNT -----	1	
		-----*		

CONTINUED ON NEXT PAGE

FIGURE AND INDEX NO.	PART NUMBER	DESCRIPTION	UNITS PER ASSY	USABLE ON CODE
56 -28	S1053E16T	HOSE-AIR INTAKE LH 27.0 IN LG BULK ITEM -----	1	E
	S1053E16T	REF S1053E16T27.0 HOSE-AIR INTAKE LH 20.0 IN LG BULK ITEM -----	1	F
	0550100-11	ATTACHING PARTS		
	AN742D34	BRACKET ATTACH HOSE AT CARBURETOR -----	1	
	AN520-18R8	CLAMP ATTACH HOSE AT CARBURETOR -----	1	
	MS21045L3	SCREW ATTACH HOSE AT CARBURETOR -----	1	
		NUT ATTACH HOSE AT CARBURETOR -----	1	
		-----*		
-29	S1053E16T	HOSE-AIR INTAKE RH 19.0 IN LG BULK ITEM -----	1	E
	S1053E16T	REF S1053E16T19.0 HOSE-AIR INTAKE LH 20.0 IN LG BULK ITEM -----	1	F
-30		ATTACHING PARTS		
	NAS397-34	CLAMP -----	2	
-31		-----*		
	S1053K24T	HOSE-CABIN HEATER VALVE TO LH SHROUD 30.0 IN LG ----- BULK ITEM REF S1053K24T30.0	1	
-32		ATTACHING PARTS		
	NAS398-50	CLAMP -----	2	
-33	MS21919DG48	CLAMP -----	1	
	MS21919DG36	CLAMP -----	1	
-34	AN520-10R10	SCREW -----	1	
	AN960-10L	WASHER -----	1	
-35	MS21045L3	NUT -----	1	
		-----*		
-36	0450340-1	BRACE ASSEMBLY-EXHAUST STACK -----	1	
		ATTACHING PARTS		
-37	AN741-16P	CLAMP -----	2	
	AN4C6A	BOLT -----	2	
-38	MS21042L4	NUT -----	2	
		-----*		
-39	0750178-2	CLAMP LWR SPARK PLUG LEAD TO REAR CYLINDER -----	2	
	SEE FIG 57	SPARK PLUG -----	8	
-40	S1222-17	CONTROL ASSEMBLY-THROTTLE WEU C299505-0202S -----	1	C
	C299505-0202S	CONTROL ASSEMBLY-THROTTLE -----	1	D
-41	9863053-7	CONTROL ASSEMBLY-THROTTLE -----	1	Q
		ATTACHING PARTS		
-42	0450343-1	BRACKET -----	1	
	0450191-1	CLAMP -----	1	
-43	AN3-5A	BGLT -----	2	
	MS21045L3	NUT -----	2	
-44	S1104-3	ROD END -----	1	
	AN970-3	WASHER -----	1	
-45	AN960D10	WASHER -----	2	
	AN356-1032	LOCKNUT -----	1	
-46	S1399-1	SLEEVE 1.5 IN LG BULK ITEM REF S1399-1-1.50 -----	1	
		-----*		
-47	S1777-1	CONTROL-CARBURETOR MIXTURE -----	1	J
	S1234-11	CONTROL-CARBURETOR MIXTURE -----	1	N
-48	9862010-3	CONTROL-CARBURETOR MIXTURE -----	1	Q
		ATTACHING PARTS		
-49	AN742D3	CLAMP -----	1	P
	S2226-2	CLAMP -----	1	Q
-50	AN3-3A	BOLT -----	1	
	MS21045L3	NUT -----	1	
-51	0450311-6	CLAMP -----	1	J
	0450311-12	CLAMP -----	1	K
-52	AN960-416L	WASHER -----	1	
	MS21042L4	NUT -----	1	
	AN735D24	CLAMP FASTEN MIXTURE CONTROL TO OIL FILLER TUBE -----	1	
	S1485D10U	CLAMP FASTEN MIXTURE CONTROL TO OIL FILLER TUBE -----	1	P
	S1021Z8-8	SCREW FASTEN MIXTURE CONTROL TO OIL FILLER TUBE -----	1	P
	S2226-2	CLAMP FASTEN MIXTURE CONTROL TO OIL FILLER TUBE -----	1	Q
	AN3-3A	BOLT FASTEN MIXTURE CONTROL TO OIL FILLER TUBE -----	1	Q
	MS21045L3	NUT FASTEN MIXTURE CONTROL TO OIL FILLER TUBE -----	1	Q
		-----*		

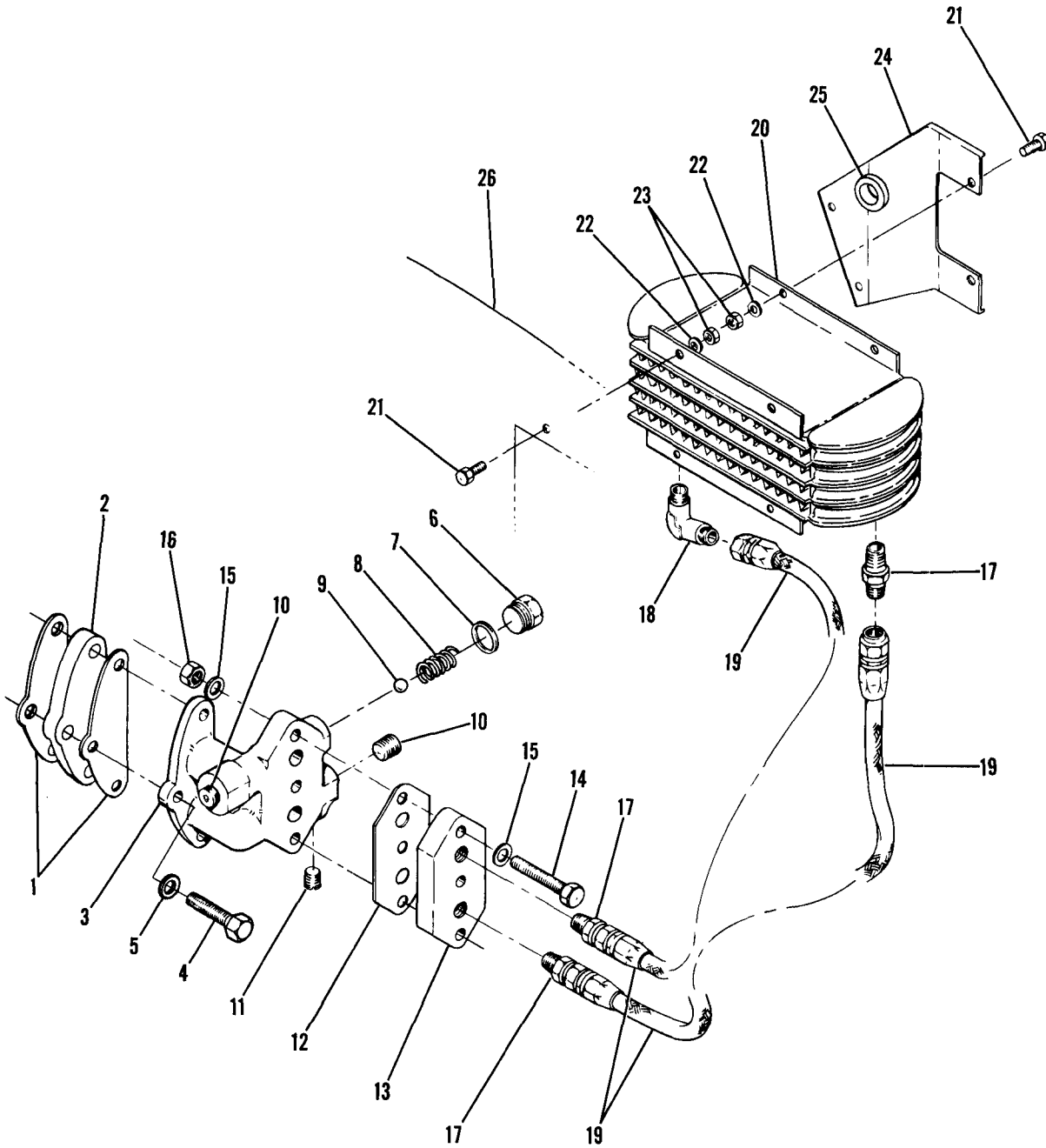
CONTINUED ON NEXT PAGE

FIGURE AND INDEX NO.	PART NUMBER	DESCRIPTION	UNITS PER ASSY	USABLE ON CODE		
					1	2
56 -53	0400311-103	LINE ASSEMBLY-PRIMER ATTACHING PARTS	1			
-54	AN742D2	CLAMP TIN	1			
	S1485D8U	CLAMP	1			
	S1021Z8-8	SCREW	1			
	NAS446-4-3	NUT	1			
-55	S1517-11	CONTROL ASSEMBLY-STRAINER DRAIN ATTACHING PARTS	1			
-56	0456002-1	BRACKET ASSEMBLY	1			
-57	AN741T6P	CLAMP	1			
-58	AN4-6A	BOLT	2			
-59	MS21042L4	NUT	2			
-60	AN742D3	CLAMP	1			
	AN515-10R10	SCREW	1			
	MS21045L3	NUT	1			
-61	0450311-3	CLAMP	1			
-62	AN960-416	WASHER	AR			
-63	MS21042L4	NUT	1			
-64	0500315-1	BRACKET-STRAINER DRAIN CONTROL	1			
-65	0500315-2	BRACKET-STRAINER DRAIN CONTROL	1			
-66	MS20074-03-04	BOLT COMMON TO STRAINER ATTACH	2			
-67	AN515-10R10	SCREW	2			
-68	AN936A10	WASHER TWO ARE COMMON TO STRAINER ATTACH	4			
-69	SEE FIG 77	FUEL STRAINER ASSEMBLY	1			
-70	0452019-1	BRACKET ASSEMBLY-COWL SNUBBER	1	F		
-71	S1115-29	SHOCKMOUNT	1	F		
-72	0452017-15	SEAL ASSEMBLY-CARBURETOR AIR FILTER	1	F		
-73	0452017-5	SEAL-UPPER	1	F		
-74	0452017-6	SEAL-SIDE	2	F		
-75	0452017-7	SEAL-LOWER	1	F		
<p>NOTE. *WHEN INITIALLY REPLACING THIS PART ON AIRCRAFT PRIOR TO SERIALS 15077216 & A1500631 A NEW OIL TEMP GAGE, PART NUMBER 442907-1, MUST BE INSTALLED.</p> <p>A---150 SERIAL F15000530 THRU F15000619 B---150 SERIAL 15071129 THRU 15072003 F150 SERIAL F15000620 THRU F15000658 A150 SERIAL A1500001 THRU A1500226 FA150 SERIAL FA1500001 THRU FA1500081 C---150 SERIAL 15071129 THRU 15071874 F150 SERIAL F15000530 THRU F15000658 A150 SERIAL A1500001 THRU A1500182 FA150 SERIAL FA1500001 THRU FA1500081 D---150 SERIAL 15071875 THRU 15078505 F150 SERIAL F15000659 THRU F15001338 A150 SERIAL A1500183 THRU A1500684 FA150 SERIAL FA1500082 THRU FA1500311 E---150 SERIAL 15071129 THRU 15072003 F150 SERIAL F15000530 THRU F15000658 A150 SERIAL A1500001 THRU A1500226 FA150 SERIAL FA1500001 THRU FA1500081 F---150 SERIAL 15072004 & ON F150 SERIAL F15000659 & ON A150 SERIAL A1500227 & ON FA150 SERIAL FA1500082 & ON G---150 SERIAL 15071129 THRU 15072537 F150 SERIAL F15000530 THRU F15000738 A150 SERIAL A1500001 THRU A1500264 FA150 SERIAL FA1500001 THRU FA1500121 H---150 SERIAL 15072538 & ON F150 SERIAL F15000739 & ON A150 SERIAL A1500265 & ON J---150 SERIAL 15071129 THRU 15075781 F150 SERIAL F15000530 THRU F15001143 A150 SERIAL A1500001 THRU A1500523 FA150 SERIAL FA1500001 THRU FA1500261</p>						
CONTINUED ON NEXT PAGE						

FIGURE AND INDEX NO.	PART NUMBER	DESCRIPTION	UNITS PER ASSY	USABLE ON CODE
56 -		<p style="text-align: center;">1 2 3 4 5 6 7</p> <p>K---150 SERIAL 15075782 & ON F150 SERIAL F15001144 & ON A150 SERIAL A1500524 & ON FA150 SERIAL FA1500262 & ON</p> <p>L---150 SERIAL 15071129 THRU 15077005 F150 SERIAL F15000530 THRU F15001248 A150 SERIAL A1500001 THRU A1500609 FA150 SERIAL FA1500001 THRU FA1500281</p> <p>M---150 SERIAL 15077006 & ON F150 SERIAL F15001249 & ON A150 SERIAL A1500610 & ON FA150 SERIAL FA1500282 & ON</p> <p>N---150 SERIAL 15075782 THRU 15078505 F150 SERIAL F15001144 THRU F15001338 A150 SERIAL A1500524 THRU A1500684 FA150 SERIAL FA1500262 THRU FA1500311</p> <p>P---150 SERIAL 15071129 THRU 15078505 F150 SERIAL F15000530 THRU F15001338 A150 SERIAL A1500001 THRU A1500684 FA150 SERIAL FA1500001 THRU FA1500311</p> <p>Q---150 SERIAL 15078506 & ON F150 SERIAL F15001339 & ON A150 SERIAL A1500685 & ON FA150 SERIAL FA1500312 & ON</p>		

FIGURE AND INDEX NO.	PART NUMBER	DESCRIPTION	UNITS PER ASSY	USABLE ON CODE
		1 2 3 4 5 6 7		
57 -	*	ENGINE COMPONENTS & ASSOCIATED ACCESSORIES -----	NP	
- 1	628122	CARBURETOR AIR INTAKE HOUSING ASSEMBLY CM -----	1	
- 2	21323	GASKET-CARBURETOR AIR INTAKE TO CARBURETOR CM -----	1	
- 3	C294510-0201	FILTER-CARBURETOR AIR -----	1	
- 4	35923	GASKET-CARBURETOR AIR FILTER CM -----	1	
- 5	633028	CARBURETOR ASSEMBLY MARVEL 10-1494 CM -----	1	
- 6	21051	GASKET CARBURETOR TO ENGINE CM -----	1	
- 7	634464	STARTER WITHOUT CLUTCH CM -----	1	
- 8	634465	CLUTCH-STARTER CM -----	1	
- 9	352179	GASKET-STARTER TO ENGINE CM -----	1	
-10	C611501-0204	ALTERNATOR-60 AMP WITHOUT DRIVE -----	1	
	E05820	DRIVE ASSEMBLY-ALTERNATOR CM -----	1	
-11	35019	GASKET-ALTERNATOR TO ENGINE CM -----	1	
-12	C611001-0102	VOLTAGE REGULATOR 60 AMP -----	1	A
	C611001-0201	VOLTAGE REGULATOR 60 AMP -----	1	B
-13	633401	MAGNETO SLICK 4001 CM -----	2	
-14	36066	GEAR-MAGNETO DRIVE CM USED WITH 633401 ABOVE -----	2	
-15	633914	IGNITION HARNESS-RIGHT MAGNETO CM -----	1	
-16	633915	IGNITION HARNESS-LEFT MAGNETO CM -----	1	
-17	REM40E	SPARK PLUG-18MM CHAMPIGN -----	AR	
	SR88	SPARK PLUG-18MM AC -----	AR	
 --NOTE-- 				
THIS FIGURE IS NOT ILLUSTRATED				
<p>NOTE. *THIS LISTING IS COMPILED TO PROVIDE PART NUMBERS OF COMMONLY USED ENGINE COMPONENTS AND ASSOCIATED ACCESSORIES. RELATIONSHIP OF THESE PARTS TO ENGINE OR AIRCRAFT ASSEMBLIES IS NOT INDICATED BY INDENTIGN. THIS FIGURE IS NOT ILLUSTRATED. INDEX NUMBERS ARE PROVIDED FOR LOCATION OF LINE ON WHICH THE PART NUMBER APPEARS.</p>				
 --NOTE-- 				
FOR ENGINE COMPONENTS NOT LISTED ON THIS FIGURE REFER TO CONTINENTAL PARTS CATALOG.				
<p>A---150 SERIAL 15071129 THRU 15077005 F150 SERIAL F15000530 THRU F15001248 A150 SERIAL A1500001 THRU A1500609 FA150 SERIAL FA1500001 THRU FA1500281</p> <p>B---150 SERIAL 15077006 & ON F150 SERIAL F15001249 & ON A150 SERIAL A1500610 & ON FA150 SERIAL FA1500282 & ON</p>				

Engine (Cont)



150 SERIAL 15078527 & ON
F150 SERIAL F15001379 & ON
A150 SERIAL A1500686 & ON

Figure 57A. Oil Cooler Installation

FIGURE AND INDEX NO.	PART NUMBER	DESCRIPTION	UNITS PER ASSY	USABLE ON CODE
		1 2 3 4 5 6 7		
57A-		OIL COOLER INSTALLATION -----	NP	A
- 1	530642	GASKET CM -----	2	
- 2	0456003-5	SPACER -----	1	
- 3	4763	ADAPTOR-OIL COOLER CM -----	1	
		ATTACHING PARTS		
- 4	MS20074-05-12	BOLT -----	3	
- 5	AN960PD516L	WASHER -----	3	
		---*---		
- 6	532432	PLUG CM -----	1	
- 7	AN900-10	GASKET -----	1	
- 8	2848	SPRING CM -----	1	
- 9	2849	BALL CM -----	1	
-10	401753	PLUG CM -----	2	
-11	2024	PLUG CM -----	1	
-12	0456003-1	GASKET -----	1	
-13	0450035-1	ADAPTOR-OIL COOLER -----	1	
		ATTACHING PARTS		
-14	AN6-16	BOLT -----	3	
-15	AN960PD616L	WASHER -----	6	
-16	MS21042L6	WASHER -----	3	
		---*---		
-17	AN816-6-6D	NIPPLE -----	3	
-18	MS20822-6-6D	ELBOW -----	1	
-19	S1236-6-0094	HOSE ASSY -----	2	
-20	105788	OIL COOLER SW -----	1	
		ATTACHING PARTS		
-21	AN3-4A	BOLT -----	6	
-22	AN960PD10L	WASHER -----	6	
-23	MS21045L3	NUT -----	6	
		---*---		
-24	0456005-1	BRACKET-OIL COOLER -----	1	
-25	MS35489-20	GROMMET -----	1	
-26	SEE FIG 59A	BAFFLE ASSY-OIL COOLER -----	1	
		A---150 SERIAL 15078527 & ON F150 SERIAL F15001379 & ON A150 SERIAL A1500686 & ON		

Engine (Cont)

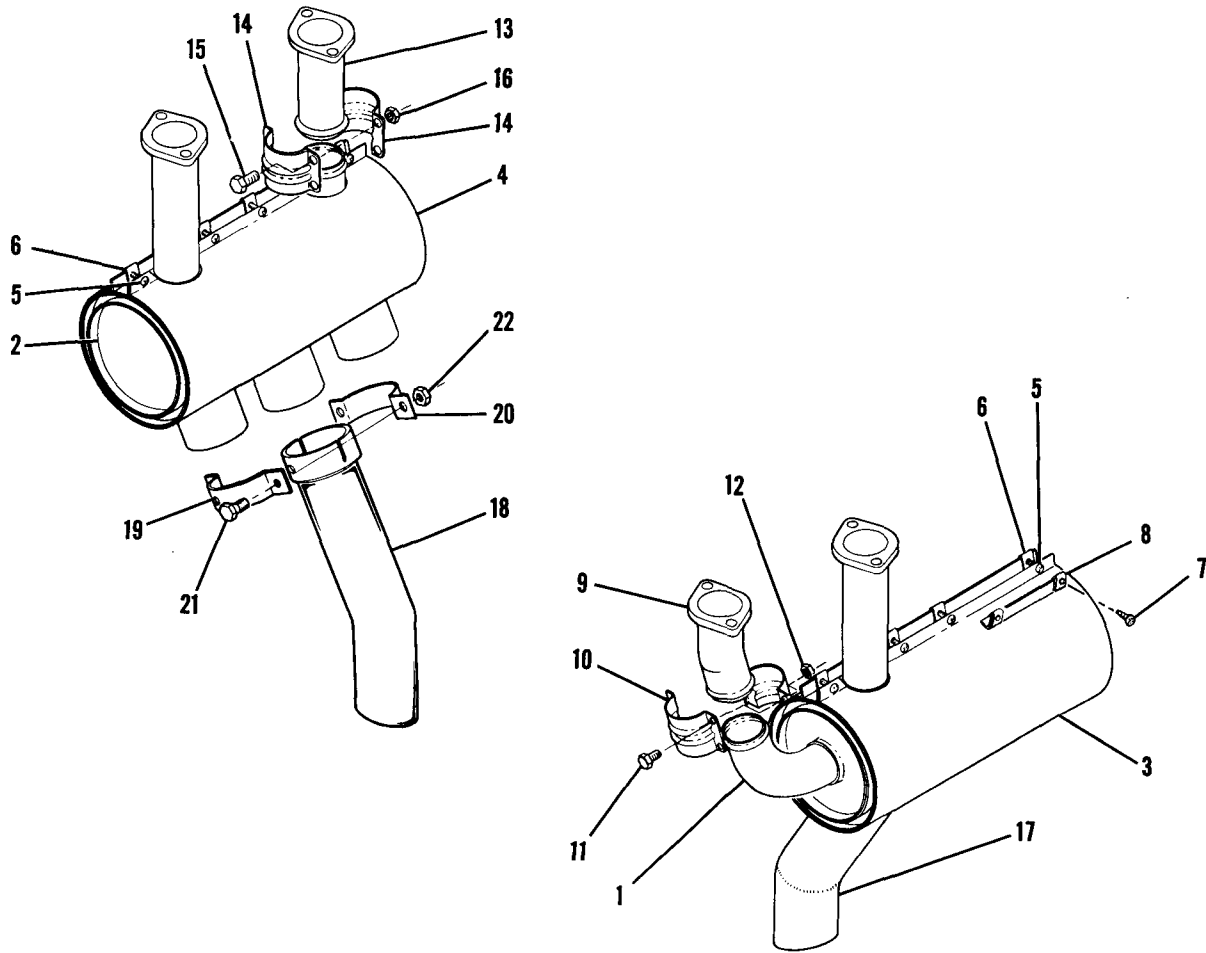
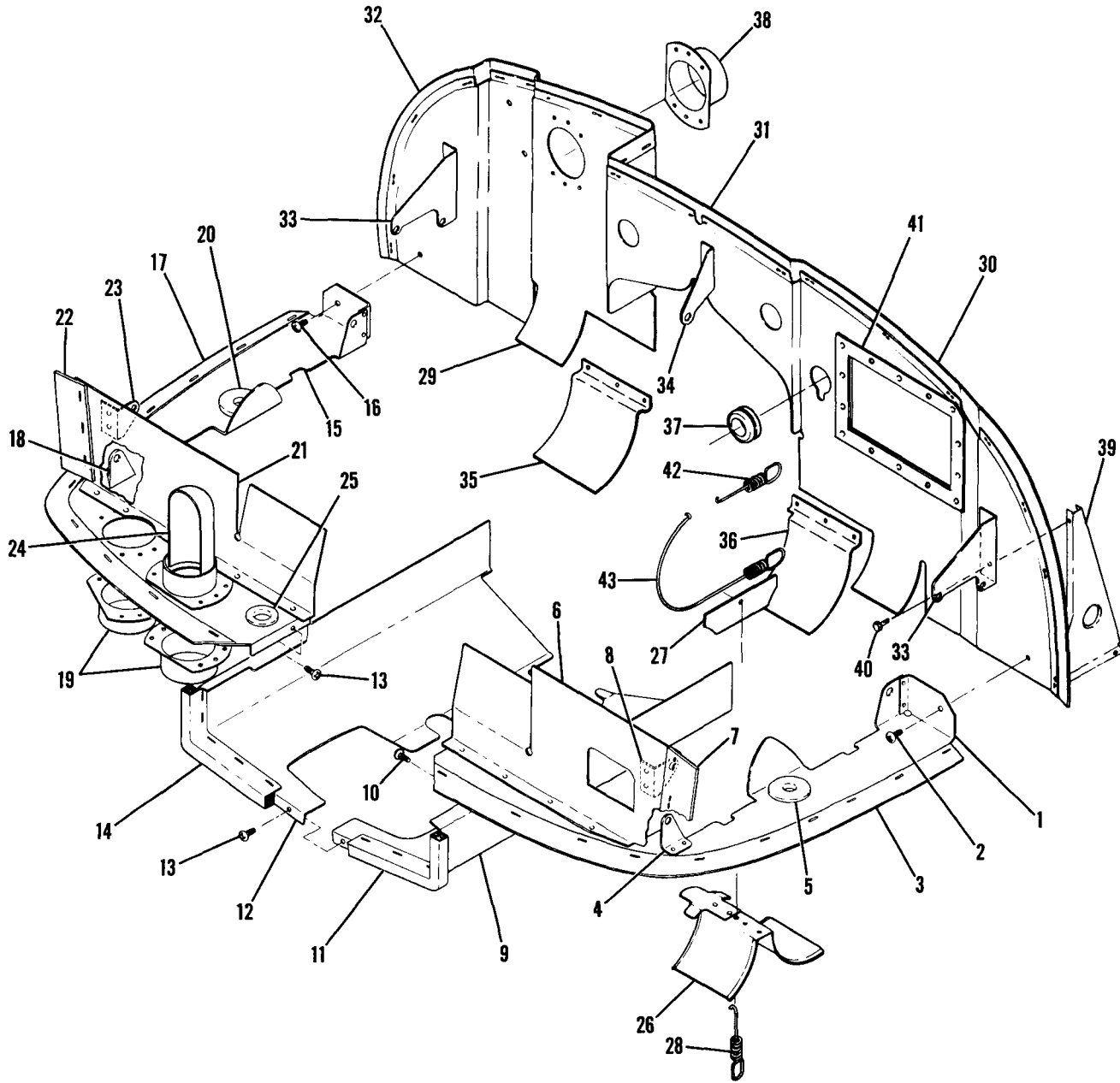


Figure 58. Exhaust Stack Assemblies

FIGURE AND INDEX NO.	PART NUMBER	DESCRIPTION	UNITS PER ASSY	USABLE ON CODE
		1 2 3 4 5 6 7		
58 -	0450400-21	EXHAUST STACK ASSEMBLY-LH -----	1	
	0450400-25	EXHAUST STACK ASSEMBLY-RH -----	1	
- 1	0450400-3	MUFFLER WELD ASSEMBLY-LH -----	1	
- 2	0450400-26	MUFFLER WELD ASSEMBLY-RH -----	1	
- 3	0450400-23	SHROUD ASSY-EXHAUST STACK LH -----	1	
- 4	0450400-6	SHROUD ASSY-EXHAUST STACK RH -----	1	
		ATTACHING PARTS		
- 5	S102128-20	SCREW -----	4	
- 6	NAS395-14-3	NUT -----	4	
- 7	S102128-6	SCREW LH SHROUD ONLY -----	2	
- 8	NAS395-14-3	NUT LH SHROUD ONLY -----	2	
		---*---		
- 9	0450338-69	RISER ASSEMBLY-LH WEU 0450338-76 -----	1	C
	0450338-76	RISER ASSEMBLY-LH -----	1	D
		ATTACHING PARTS		
-10	0550176-50	CLAMP ASSEMBLY INCLUDES BOTH HALVES -----	1	
-11	AN3-4A	BOLT -----	2	
-12	MS21045L3	NUT -----	2	
		---*---		
-13	0450338-70	STACK ASSEMBLY-RH WEU 0450338-74 -----	1	A
	0450338-74	STACK ASSEMBLY-RH -----	1	B
		ATTACHING PARTS		
-14	0550176-50	CLAMP ASSEMBLY INCLUDES BOTH HALVES -----	1	
-15	AN3-4A	BOLT -----	1	
-16	MS21045L3	NUT -----	1	
		---*---		
-17	0450338-67	TAILPIPE ASSEMBLY-LH -----	1	
-18	0450338-66	TAILPIPE ASSEMBLY-RH -----	1	
		ATTACHING PARTS		
-19	0450338-9	CLAMP HALF ASSEMBLY -----	1	
-20	0450338-10	CLAMP HALF -----	1	
-21	AN4-3A	BOLT -----	2	
-22	MS21042L4	NUT -----	2	
		---*---		
		A---150 SERIAL 15071129 THRU 15073487 F150 SERIAL F15000530 THRU F15000833 A150 SERIAL A1500001 THRU A1500334 FA150 SERIAL FA1500001 THRU FA1500166		
		B---150 SERIAL 15073488 & ON F150 SERIAL F15000834 & ON A150 SERIAL A1500335 & ON FA150 SERIAL FA1500167 & ON		
		C---150 SERIAL 15071129 THRU 15074879 F150 SERIAL F15000530 & ON A150 SERIAL A1500001 THRU A1500419 FA150 SERIAL FA1500001 & ON		
		D---150 SERIAL 15074880 & ON A150 SERIAL A1500420 & ON		

Engine (Cont)



150 SERIAL 15071129 THRU 15072003
F150 SERIAL F15000530 THRU F15000658
A150 SERIAL A1500001 THRU A1500226
FA150 SERIAL FA1500001 THRU FA1500081

Figure 59. Engine Baffles Installation

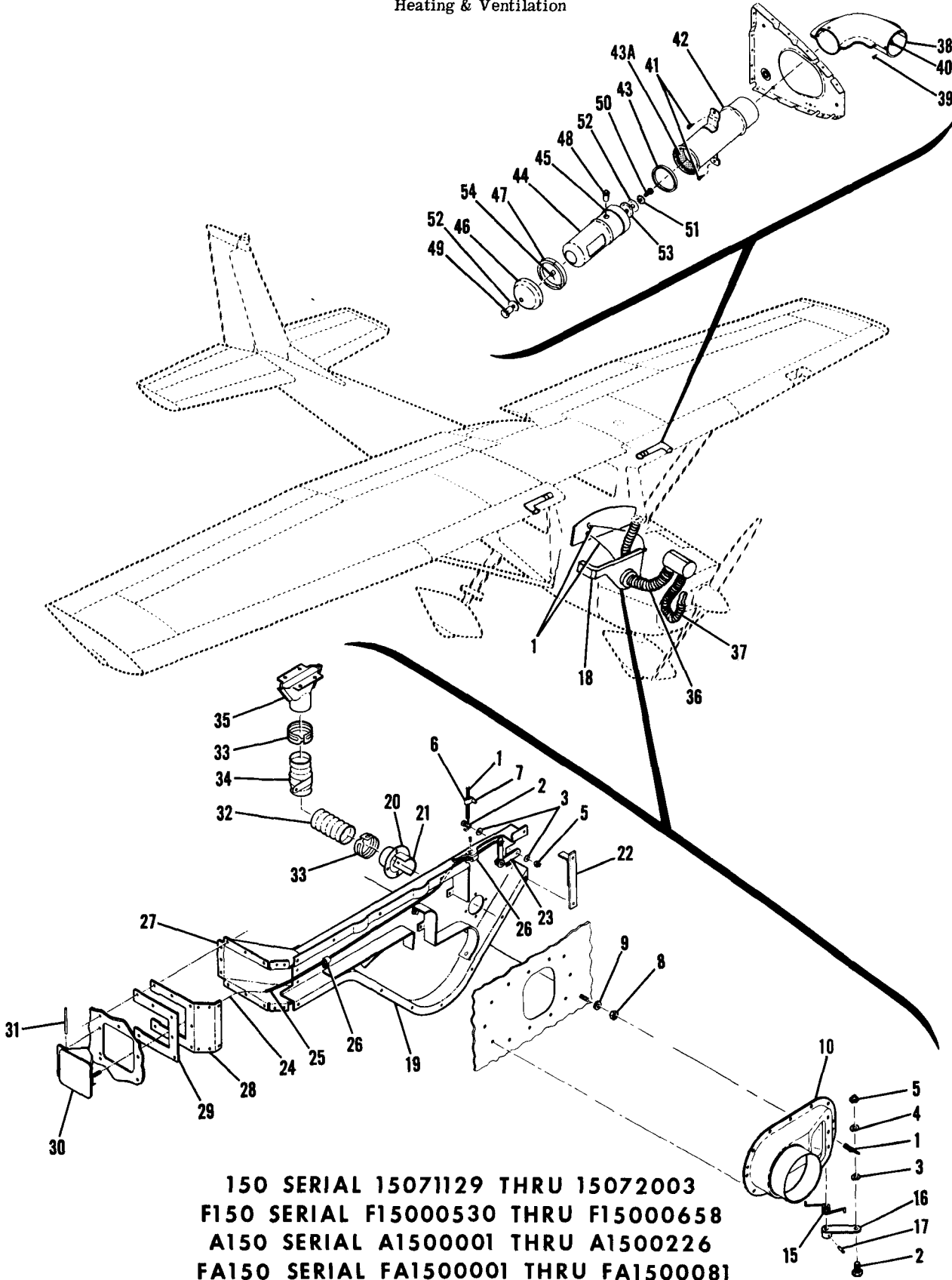
FIGURE AND INDEX NO.	PART NUMBER	DESCRIPTION	UNITS PER ASSY	USABLE ON CODE
		1 2 3 4 5 6 7		
59 -		BAFFLES INSTALLATION-ENGINE -----	NP	A
- 1	0450502-31	BAFFLE ASSEMBLY-LEFT CYLINDER -----	1	
		ATTACHING PARTS -----		
- 2	S102128-6	SCREW -----	1	
	NAS446-4-3	NUT -----	1	
		-----*		
- 3	0450502-12	SEAL-LEFT CYLINDER BAFFLE -----	1	
- 4	0450507-1	BRACKET-LEFT CYLINDER BAFFLE -----	1	
- 5	MS35489-15	GROMMET -----	1	
- 6	0450303-1	BAFFLE ASSEMBLY-LEFT CYLINDER VERTICAL -----	1	
- 7	0450303-3	SEAL-VERTICAL BAFFLE -----	1	
- 8	0450302-3	BRACKET -----	1	
- 9	0450502-23	BAFFLE ASSEMBLY-LOWER CASE LH -----	1	
		ATTACHING PARTS -----		
-10	S102128-6	SCREW -----	1	
	NAS446-4-3	NUT -----	1	
		-----*		
-11	0450234-29	RUB STRIP-LEFT LOWER BAFFLE -----	1	
-12	0450502-22	BAFFLE ASSEMBLY-LOWER CASE RH -----	1	
		ATTACHING PARTS -----		
-13	S102128-6	SCREW -----	2	
	NAS446-4-3	NUT -----	2	
		-----*		
-14	0450234-29	RUB STRIP-RIGHT LOWER BAFFLE -----	1	
-15	0450502-32	BAFFLE ASSEMBLY-RIGHT CYLINDER -----	1	
	SEE FIG 54	BAFFLE ASSEMBLY-RIGHT CYLINDER USED WITH -----	1	
		WINTERIZATION INSTALLATION ONLY -----		
		ATTACHING PARTS -----		
-16	S102128-6	SCREW -----	1	
	NAS446-4-3	NUT -----	1	
		-----*		
-17	0450502-13	SEAL-RIGHT CYLINDER BAFFLE -----	1	
-18	0450163-1	BRACKET-RIGHT CYLINDER BAFFLE -----	1	
-19	0450262	UNION-RIGHT CYLINDER BAFFLE -----	2	
-20	MS35489-15	GROMMET -----	1	
-21	0450302-1	BAFFLE ASSEMBLY-RIGHT CYLINDER VERTICAL -----	1	
-22	0450302-4	SEAL-VERTICAL BAFFLE -----	1	
-23	0450302-3	BRACKET -----	1	
-24	0450266-1	SCOOP ASSEMBLY-CABIN HEAT -----	1	
-25	MS35489-17	GROMMET -----	1	
-26	0450322	BAFFLE-INTER CYLINDER LH -----	1	
	0450322-1	BAFFLE-INTER CYLINDER RH -----	1	
-27	0450210	SUPPORT-INTER CYLINDER BAFFLE -----	2	
-28	0450211-1	FASTENER-INTER CYLINDER BAFFLE -----	2	
-29	0450502-36	BAFFLE ASSEMBLY-VERTICAL REAR -----	1	
	0450502-38	BAFFLE ASSEMBLY-VERTICAL REAR FLOATPLANE ONLY -----	1	
-30	0450502-28	SEAL-REAR BAFFLE LH -----	1	
-31	0450502-29	SEAL-REAR BAFFLE CENTER -----	1	
-32	0450502-30	SEAL-REAR BAFFLE RH -----	1	
-33	0450215-1	BRACKET-REAR BAFFLE -----	2	
-34	0450506-1	BRACKET-REAR BAFFLE -----	1	
-35	0450502-24	DEFLECTOR-RH -----	1	
-36	0450502-25	DEFLECTOR-LH -----	1	
-37	MS35489-20	GROMMET-REAR BAFFLE -----	2	
-38	0450262	UNION-ALTERNATOR BLAST TUBE -----	1	
-39	0450345-1	BRACE-REAR BAFFLE -----	1	
		ATTACHING PARTS -----		
-40	AN4-4A	BOLT -----	1	
	MS21042L4	NUT -----	1	
		-----*		
-41	0450034-1	DOUBLER-REAR BAFFLE FLOATPLANE ONLY -----	1	
-42	0450277-5	FASTENER-REAR BAFFLE -----	2	
-43	0450277-8	FASTENER-REAR BAFFLE -----	2	
	S290-832	WASHER -----	4	
		A---150 SERIAL 15071129 THRU 15072003 F150 SERIAL F15000530 THRU F15000658 A150 SERIAL A1500001 THRU A1500226 FA150 SERIAL FA1500001 THRU FA1500081		

FIGURE AND INDEX NO.	PART NUMBER	DESCRIPTION	UNITS PER ASSY	USABLE ON CODE
59A-		ENGINE BAFFLES INSTALLATION	NP	A
- 1	0455001-3	BAFFLE ASSEMBLY-HORIZONTAL LH	1	
		ATTACHING PARTS		
- 2	S102128-6	SCREW	1	
- 3	NAS446-4-3	NUT	1	
		-----*		
- 4	0455001-7	SEAL	1	
- 5	MS35489-15	GROMMET	1	
- 6	0450507-1	BRACKET	1	
- 7	0455000-5	BAFFLE ASSEMBLY-VERTICAL LH	1	
- 8	0450302-3	BRACKET	1	
- 9	0455000-7	SEAL-ENGINE BAFFLE	1	
-10	0450262	UNION	1	
-11	0450266-1	SCOOP ASSEMBLY	1	
-12	0450303-4	BRACKET	1	
-13		DELETED, NEVER USED		
-14	0455001-2	BAFFLE ASSEMBLY-HORIZONTAL RH	1	
		ATTACHING PARTS		
-15	S102128-6	SCREW	1	
	NAS446-4-3	NUT	1	
		-----*		
-16	0455001-8	SEAL	1	
-17	MS35489-15	GROMMET	1	
-18	0450163-1	BRACKET	1	
-19	0455001-4	BAFFLE ASSEMBLY-VERTICAL RH	1	
	SEE FIG 54A	BAFFLE ASSEMBLY-VERTICAL RH USED WITH WINTERIZATION INSTALLATION ONLY	1	
-20	0450303-5	BRACKET	1	
-21	0450302-3	BRACKET	1	
-22	0455001-10	SEAL	1	
-23		DELETED, NEVER USED		
-24	0450262	UNION	1	
-25		DELETED, NEVER USED		
-26	MS35489-17	GROMMET	1	
-27	0455000-11	BAFFLE ASSEMBLY-LOWER LH	1	
-28	0455000-4	BAFFLE ASSEMBLY-LOWER RH	1	
		ATTACHING PARTS		
-29	S102128-8	SCREW	3	
-30	NAS446-4-3	NUT	3	
		-----*		
-31	0455000-13	SEAL-LH	1	
-32	0455000-6	SEAL-RH	1	
-33	0450322	BAFFLE-INTER CYLINDER LH	1	
	0450322-1	BAFFLE-INTER CYLINDER RH	1	
-34	0450211-1	FASTENER-INTER CYLINDER BAFFLE	2	
-35	0450210	SUPPORT-INTER CYLINDER BAFFLE	2	
-36	0450502-42	BAFFLE ASSEMBLY-VERTICAL REAR	1	
	0450502-44	BAFFLE ASSEMBLY-VERTICAL REAR USED WITH OIL COOLER	1	B
-37	0450502-28	SEAL-REAR BAFFLE LH	1	
-38	0450502-29	SEAL-REAR BAFFLE CENTER	1	
-39	0450502-30	SEAL-REAR BAFFLE RH	1	
-40	0450215-1	BRACKET-REAR BAFFLE	2	
-41	0450506-1	BRACKET-REAR BAFFLE	1	
-42	0450262	UNION-ALTERNATOR BLAST TUBE	1	
-43	MS35489-20	GROMMET	2	
-44	0450502-24	DEFLECTOR-RH	1	
-45	0450502-25	DEFLECTOR-LH	1	
-46	0450345-1	BRACE-REAR BAFFLE	1	
		ATTACHING PARTS		
-47	AN4-4A	BOLT	1	
-48	MS21042L4	NUT	1	
		-----*		
-48A	0456006-1	DOUBLER-REAR BAFFLE USED WITH OIL COOLER	1	B
-49	0450277-5	FASTENER-REAR BAFFLE	2	
-50	0450277-8	FASTENER-REAR BAFFLE	2	
-51	S290-832	WASHER	4	
-52	0450171	BAFFLE-INTER HEAD	2	
-53	0450209	SUPPORT-INTER HEAD BAFFLE	2	
-54	0450211-2	FASTENER-INTER HEAD BAFFLE	2	

A---150 SERIAL 15072004 & ON
 F150 SERIAL F15000659 & ON
 A150 SERIAL A1500227 & ON
 FA150 SERIAL FA1500082 & ON

B---150 SERIAL 15078506 & ON
 F150 SERIAL F15001339 & ON
 A150 SERIAL A1500685 & ON

Heating & Ventilation



150 SERIAL 15071129 THRU 15072003
 F150 SERIAL F15000530 THRU F15000658
 A150 SERIAL A1500001 THRU A1500226
 FA150 SERIAL FA1500001 THRU FA1500081

Figure 60. Cabin Heating & Ventilating System Installation

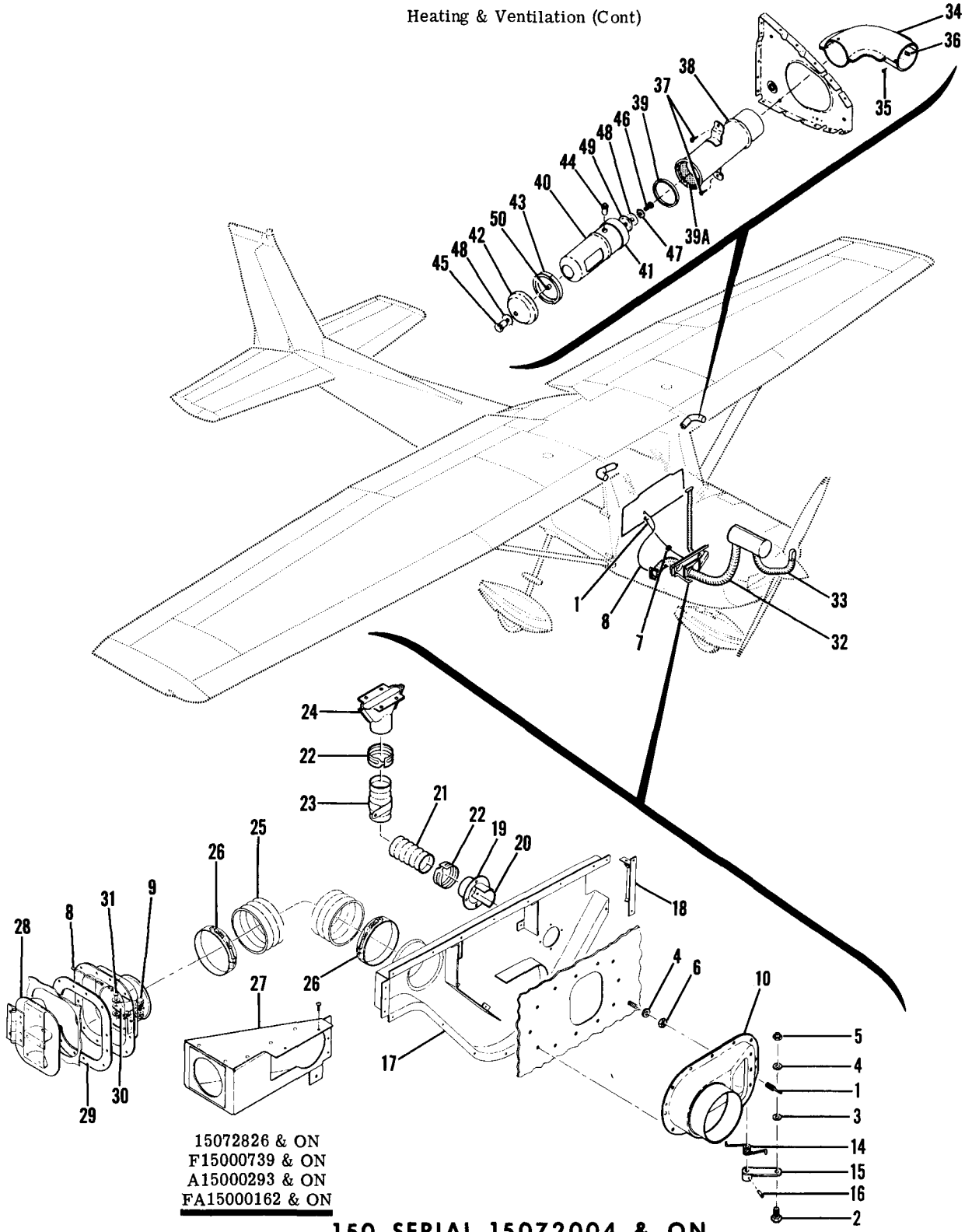
FIGURE AND INDEX NO.	PART NUMBER	DESCRIPTION	UNITS PER ASSY	USABLE ON CODE
		1 2 3 4 5 6 7		
60 -		CABIN HEATING & VENTILATING SYSTEM INSTALLATION -----	NP	A
- 1	S1239-46	CONTROL ASSEMBLY-CABIN HEAT & CABIN AIR -----	2	
		ATTACHING PARTS -----		
- 2	0450311	CLAMP -----	1	
- 3	AN960-10	WASHER -----	2	
- 4	AN960-10L	WASHER -----	1	
- 5	MS20365-1032C	NUT -----	1	
		-----*		
- 6	S1485D3U	CLAMP -----	1	
		ATTACHING PARTS -----		
- 7	S1021Z8-12	SCREW -----	1	
	NAS43DD3-22	SPACER -----	1	
		-----*		
- 8	S1283-1	NUT -----	2	
- 9	AN960-10L	WASHER -----	1	
-10	0453006-3	VALVE ASSEMBLY-CABIN HEATER -----	1	
-11		DELETED, NOT AVAILABLE -----		
-12		DELETED, NOT AVAILABLE -----		
-13		DELETED, NOT AVAILABLE -----		
-14		DELETED, NOT AVAILABLE -----		
-15	1253041-1	SPRING -----	1	
-16	1253037-1	ARM ASSEMBLY -----	1	
-17	NAS561C2-8	ROLL PIN -----	1	
-18	0453002-26	HEATER ASSEMBLY-CABIN -----	NP	
-19	0453002-25	DISTRIBUTOR ASSEMBLY -----	1	
-20	0453002-16	SPOUT-DEFROSTER -----	1	
-21	0453010-1	INSERT-HEATER SPOUT -----	1	
-22	0453002-4	DEFLECTOR-CABIN HEATER -----	1	
-23	0453002-24	BELLCRANK -----	1	
-24	S1398-1	WIRE-21.10 IN LG BULK ITEM REF S1398-1-21.10 -----	1	
-25	S1398-2	CASING-15.60 IN LG BULK ITEM REF S1398-2-15.60 -----	1	
		ATTACHING PARTS -----		
-26	S1485D3U	CLAMP -----	2	
	S1021Z8-8	SCREW -----	2	
		-----*		
-27	0453002-5	SCOOP -----	1	
-28	0453002-6	DOUBLER -----	1	
-29	0453002-10	SEAL -----	1	
-30	0453002-7	DOOR ASSEMBLY-CABIN AIR -----	1	
-31	MS20253P1-164	PIN-HINGE -----	1	
-32	S1053E10T	HOSE-28.00 IN LG BKI REF S1053E10T-28.00 -----	1	
		ATTACHING PARTS -----		
-33	NAS397-22	CLAMP -----	2	
-34	S1485D20U	CLAMP -----	1	
		-----*		
-35	0413452-1	NOZZLE ASSEMBLY-DEFROSTER -----	1	
-36	S1053K24T	HOSE-HEATER VALVE TO LH SHROUD 30.00 IN LG -----	1	
		BULK ITEM REF S1053K24T30.00 -----		
		ATTACHING PARTS -----		
	NAS398-50	CLAMP -----	2	
	MS21919DG48	CLAMP ATTACH HOSE TO NOSE GEAR -----	1	
	MS21919DG36	CLAMP ATTACH HOSE TO NOSE GEAR -----	1	
	AN520-10R10	SCREW ATTACH HOSE TO NOSE GEAR -----	1	
	AN960-10L	WASHER ATTACH HOSE TO NOSE GEAR -----	1	
	MS21044N3	NUT ATTACH HOSE TO NOSE GEAR -----	1	
		-----*		
-37	S1053E16T	HOSE-LH SHROUD TO RH BAFFLE 27.00 IN LG -----	1	
		BULK ITEM REF S1053E16T27.0 -----		
		ATTACHING PARTS -----		
	NAS397-34	CLAMP -----	2	
	0550100-11	BRACKET ATTACH HOSE AT CARBURETOR -----	1	
	AN942034	CLAMP ATTACH HOSE AT CARBURETOR -----	1	
	AN520-10R8	SCREW ATTACH HOSE AT CARBURETOR -----	1	
	MS21044N3	NUT ATTACH HOSE AT CARBURETOR -----	1	
		-----*		
-38	0413233	ELBOW ASSEMBLY-CABIN AIR VENT -----	2	
		ATTACHING PARTS -----		
-39	S1021Z8-6	SCREW -----	1	
-40	NAS446-4-3	NUT -----	1	
		-----*		

CONTINUED ON NEXT PAGE

FIGURE AND INDEX NO.	PART NUMBER	DESCRIPTION	UNITS PER ASSY	USABLE ON CODE
60 -	0413163-23	OUTLET ASSEMBLY-CABIN AIR LH -----	1	
	0413163-24	OUTLET ASSEMBLY-CABIN AIR RH -----	1	
		ATTACHING PARTS		
-41	S102128-6	SCREW -----	2	
		-----*		
-42	0413163-8	TUBE ASSEMBLY-LH -----	1	
	0413163-9	TUBE ASSEMBLY-RH -----	1	
-43	0413163-7	SEAL-FELT -----	1	
-43A	0413163-47	SEAL -----	1	
-44	0413163-18	OUTLET ASSEMBLY -----	1	
-45	0413163-43	SEAL -----	1	
	0413163-11	CAP ASSEMBLY-AIR OUTLET -----	1	
-46	0413257	CAP -----	1	
-47	S1441-2	SEAL-6.56 IN LG BULK ITEM REF S1441-2-6.56 -----	1	
-48	0413203	CATCH-BULLET WHEN EXHAUSTED USE S2024-1 -----	2	
	S2024-1	CATCH -----	2	
-49	0713303-2	KNOB-CAP -----	1	
		ATTACHING PARTS		
-50	AN515-8R8	SCREW -----	1	
-51	AN936A8	WASHER -----	1	
-52	0413228	WASHER -----	2	
-53	0413347-1	WASHER -----	1	
-54	NAS430D3-5	SPACER -----	1	
		-----*		
A---150 SERIAL 15071129 THRU 15072003 F150 SERIAL F15000530 THRU F15000658 A150 SERIAL A1500001 THRU A1500226 FA150 SERIAL FA1500001 THRU FA1500081				

FIGURE AND INDEX NO.	PART NUMBER	DESCRIPTION	UNITS PER ASSY	USABLE ON CODE
60A-		1 2 3 4 5 6 7		
- 1	S1239-46	CABIN HEATING & VENTILATING SYSTEM INSTALLATION ----- CONTROL ASSEMBLY-CABIN HEAT ----- ATTACHING PARTS -----	NP 1	A
- 2	0450311	CLAMP -----	1	
- 3	AN960-10	WASHER -----	1	
- 4	AN960-10L	WASHER -----	2	
- 5	MS20365-1032C	NUT -----	1	
- 6	S1283-1	NUT -----	2	
- 7	S1485D3U S1021Z8-10	CLAMP ----- SCREW -----	1 1	
- 8	S1239-46	CONTROL ASSEMBLY-CABIN AIR ----- ATTACHING PARTS -----	1	
- 9	0450311-5 AN960-10 MS21044N3	CLAMP ----- WASHER ----- NUT -----	1 1 1	
-10	0453006-3	VALVE ASSEMBLY-CABIN HEATER -----	1	
-11		DELETED, NOT AVAILABLE -----		
-12		DELETED, NOT AVAILABLE -----		
-13		DELETED, NOT AVAILABLE -----		
-14	1253041-1	SPRING -----	1	
-15	1253037-1	ARM ASSEMBLY -----	1	
-16	NAS561C2-8	ROLL PIN -----	1	
-17	0453002-27 0453002-31	DISTRIBUTOR ASSEMBLY-CABIN HEATER ----- DISTRIBUTOR ASSEMBLY-CABIN HEATER -----	1 1	B C
-18	0453002-4	DEFLECTOR-CABIN HEATER -----	1	
-19	0453002-16	SPOUT-DEFROSTER -----	1	
-20	0453010-1	INSERT-SPOUT -----	1	
-21	S1053E10T	HOSE-28.00 IN LG BK1 REF S1053E10T-28.00 ----- ATTACHING PARTS -----	1	
-22	NAS397-22	CLAMP -----	2	
-23	S1485D20U	CLAMP -----	1	
-24	0413452-1	NOZZLE ASSEMBLY-DEFROSTER -----	1	
-25	S1053E20T	HOSE-11.0 IN LG BK1 REF S1053E20T-11.0 ----- ATTACHING PARTS -----	1	B
-26	NAS398-42	CLAMP -----	2	B
-27	0413518-1 AN515-8R6	DUCT ASSEMBLY-AIR VALVE ----- ATTACHING PARTS ----- SCREW -----	1 4	C C
CONTINUED ON NEXT PAGE				

Heating & Ventilation (Cont)



15072826 & ON
 F15000739 & ON
 A15000293 & ON
 FA15000162 & ON

150 SERIAL 15072004 & ON
F150 SERIAL F15000659 & ON
A150 SERIAL A1500227 & ON
FA150 SERIAL FA1500082 & ON

Figure 60A. Cabin Heating & Ventilating System Installation

FIGURE AND INDEX NO.	PART NUMBER	DESCRIPTION	UNITS PER ASSY	USABLE ON CODE
		1 2 3 4 5 6 7		
60A-	1213475-2	INLET ASSEMBLY-COLD AIR -----	1	
-28	1213478-1	DOOR ASSY-COLD AIR INLET -----	1	
-29	1213483-1	SEAL -----	1	
-30	1213482-1	LEVER -----	1	
		ATTACHING PARTS		
-31	MS20392-1-7	PIN -----	2	
	AN960-6L	WASHER -----	1	
	AN960-4L	WASHER -----	AR	
	MS24665-132	PIN-COTTER -----	2	
		-----*		
-32	S1053K24T	HOSE-HEATER VALVE TO LH SHROUD 30.00 IN LG -----	1	
		BULK ITEM REF S1053K24T30.00		
		ATTACHING PARTS		
	NAS398-50	CLAMP -----	2	
	MS21919DG48	CLAMP ATTACH HOSE TO NOSE GEAR -----	1	
	MS21919DG36	CLAMP ATTACH HOSE TO NOSE GEAR -----	1	
	AN520-10R10	SCREW ATTACH HOSE TO NOSE GEAR -----	1	
	AN960-10L	WASHER ATTACH HOSE TO NOSE GEAR -----	1	
	MS21044N3	NUT ATTACH HOSE TO NOSE GEAR -----	1	
		-----*		
-33	S1053E16T	HOSE-LH SHROUD TO LH BAFFLE 20.00 IN LG -----	1	
		BULK ITEM REF S1053E16T20.00		
		ATTACHING PARTS		
	NAS397-34	CLAMP -----	2	
		-----*		
-34	0413233	ELBOW ASSEMBLY-CABIN AIR VENT -----	2	
		ATTACHING PARTS		
-35	S102128-6	SCREW -----	1	
-36	NAS446-4-3	NUT -----	1	
		-----*		
	0413163-23	OUTLET ASSEMBLY-CABIN AIR LH -----	1	
	0413163-24	OUTLET ASSEMBLY-CABIN AIR RH -----	1	
		ATTACHING PARTS		
-37	S102128-6	SCREW -----	2	
		-----*		
-38	0413163-8	TUBE ASSEMBLY-LH -----	1	
	0413163-9	TUBE ASSEMBLY-RH -----	1	
-39	0413163-7	SEAL-FELT -----	1	
-39A	0413163-47	SEAL -----	1	
-40	0413163-18	OUTLET ASSEMBLY -----	1	
-41	0413163-43	SEAL -----	1	
	0413163-11	CAP ASSEMBLY-AIR OUTLET -----	1	
-42	0413257	CAP -----	1	
-43	S1441-2	SEAL-6.56 IN LG BULK ITEM REF S1441-2-6.56 -----	1	
-44	S2024-1	CATCH -----	2	
-45	0713303-2	KNOB-CAP -----	1	
		ATTACHING PARTS		
-46	AN515-8R8	SCREW -----	1	
-47	AN936A8	WASHER -----	1	
-48	0413228	WASHER -----	2	
-49	0413347-1	WASHER -----	1	
-50	NAS43DD3-5	SPACER -----	1	
		-----*		
		A---150 SERIAL 15072004 & ON F150 SERIAL F15000659 & ON A150 SERIAL A1500227 & ON FA150 SERIAL FA1500082 & ON		
		B---150 SERIAL 15072004 THRU 15072825 F150 SERIAL F15000659 THRU F15000738 A150 SERIAL A1500227 THRU A1500292 FA150 SERIAL FA1500082 THRU FA1500161		
		C---150 SERIAL 15072826 & ON F150 SERIAL F15000739 & ON A150 SERIAL A1500293 & ON FA150 SERIAL FA1500162 & ON		

Control Pedals

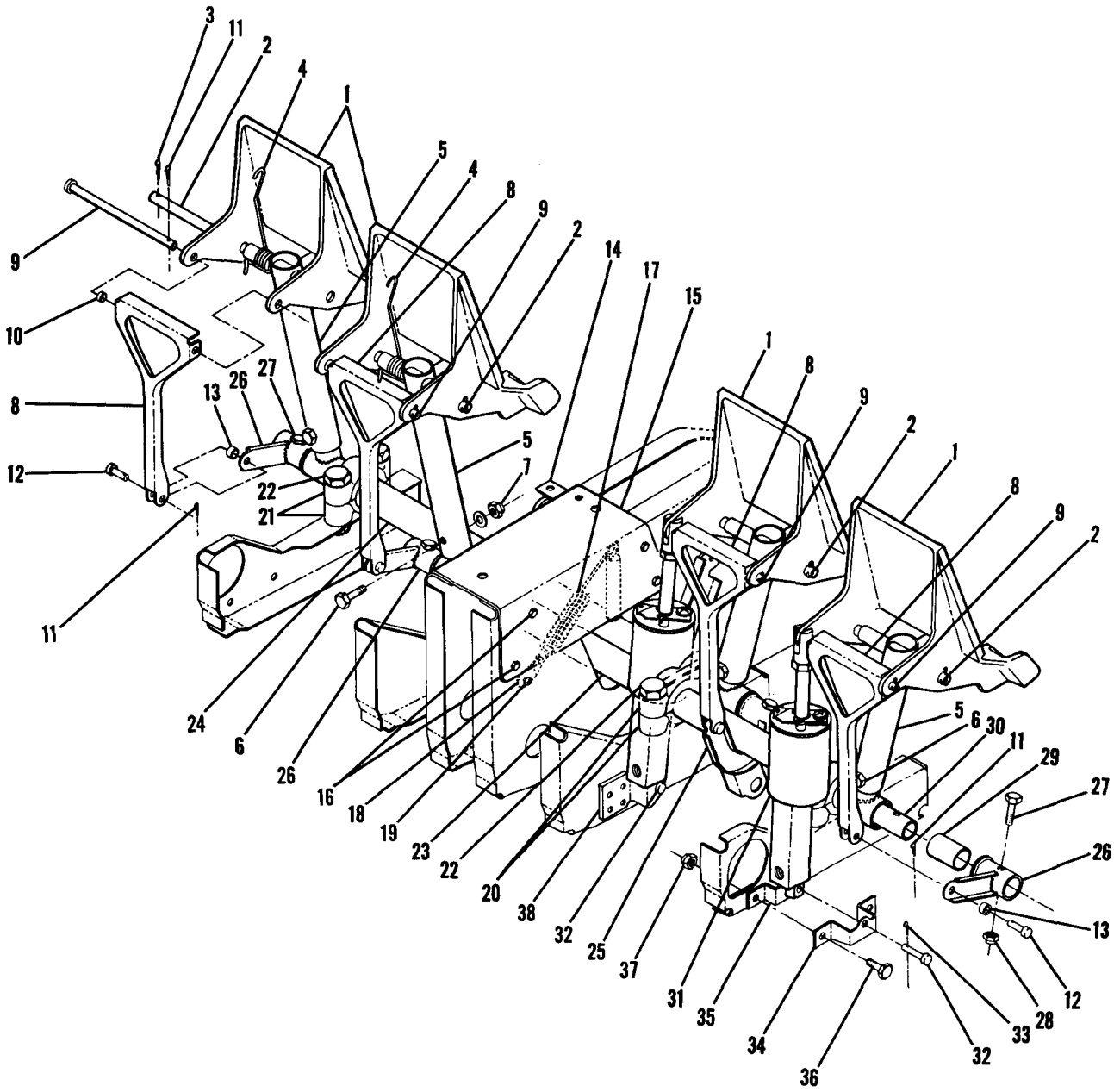
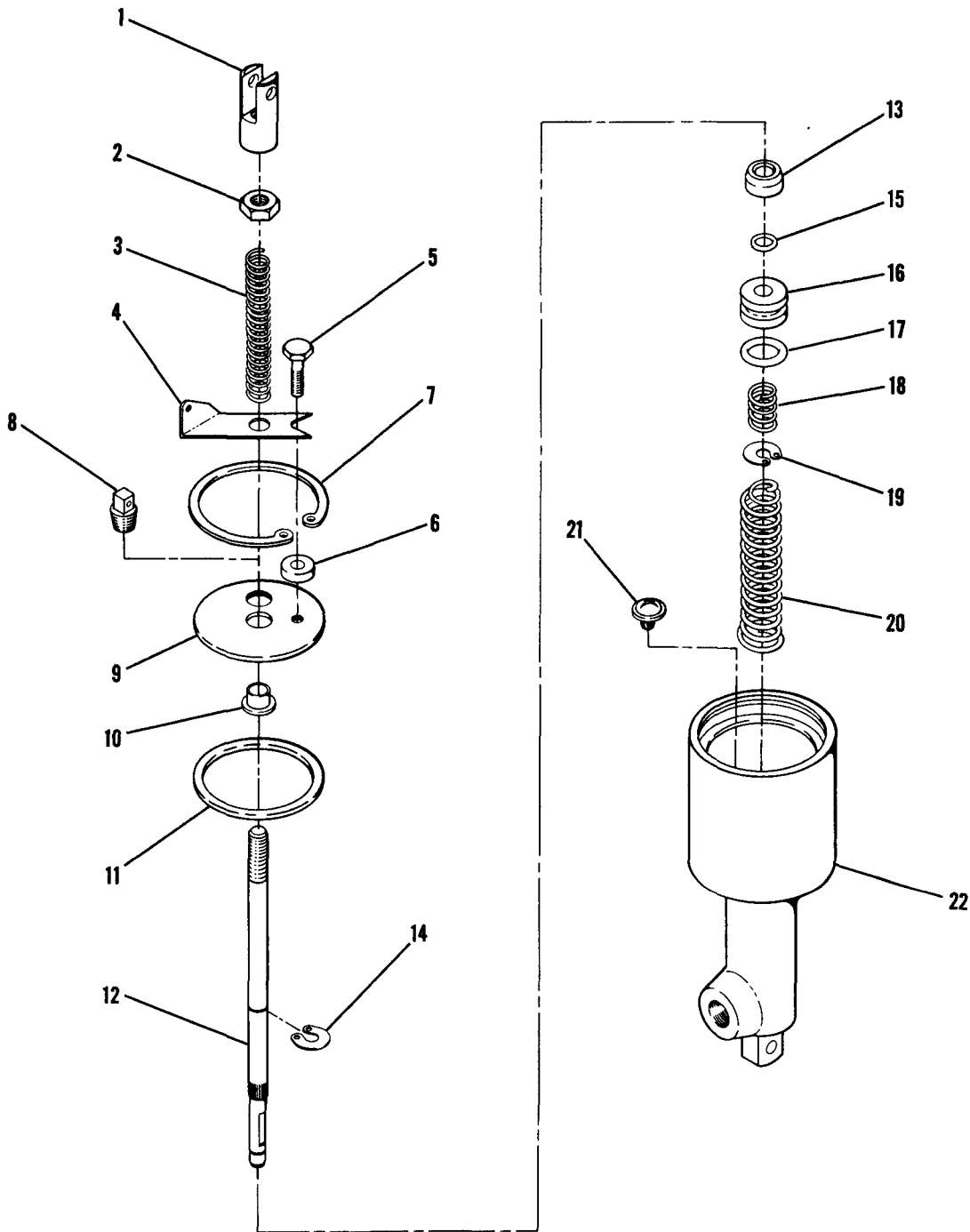


Figure 61. Rudder & Brake Pedal Installation

FIGURE AND INDEX NO.	PART NUMBER	DESCRIPTION	UNITS PER ASSY	USABLE ON CODE
61 -		1 2 3 4 5 6 7		
- 1	1460320-1	PEDAL INSTALLATION-RUDDER & BRAKE ----- PEDAL-BRAKE & RUDDER ----- ATTACHING PARTS -----	NP 4	
- 2	1460501-21	SHAFT -----	1	
- 3	MS24665-281	PIN-COTTER ----- -----*	2	
- 4	1460505-1	SPRING RH PEDALS ONLY -----	2	
- 5	0411307	ARM ASSEMBLY-RUDDER PEDAL ----- ATTACHING PARTS -----	4	
- 6	AN3-12A	BOLT -----	1	
	AN960-10	WASHER -----	1	
- 7	MS21044N3	NUT ----- -----*	1	
- 8	0411564	LINK-DUAL BRAKES ----- ATTACHING PARTS -----	4	
- 9	0411778-2	SHAFT -----	1	
-10	NAS42HT6-8	SPACER RH PEDALS ONLY -----	1	
-11	MS24665-132	PIN-COTTER -----	2	
-12	MS20392-2C13	PIN -----	1	
-13	NAS43HT3-12	SPACER ----- -----*	1	
-14	0400312-1	ANGLE ----- ATTACHING PARTS -----	1	
	AN3-4A	BOLT ----- -----*	1	
-15	0411286	STIFFENER-CONTROL Y BULKHEAD ----- ATTACHING PARTS -----	1	
-16	AN3-3A	BOLT ----- -----*	9	
-17	0310196-13	SPRING-BRAKE & RUDDER RETURN -----	2	
-18	0441132	CLIP ----- ATTACHING PARTS -----	2	
-19	AN520-10R7	SCREW -----	1	
	MS20365-1032C	NUT ----- -----*	1	
-20	S1675-1	BEARING HALF-INBOARD -----	4	
-21	S1674-1	BEARING HALF-OUTBOARD ----- ATTACHING PARTS -----	4	
-22	AN3-16A	BOLT -----	2	
	MS21044N3	NUT ----- -----*	2	
-23	0411526-1	WELD ASSEMBLY-RUDDER BAR -----	1	
-24	0411526-2	WELD ASSEMBLY-RUDDER BAR -----	1	
-25	0411573-1	BELLCRANK ASSEMBLY -----	1	
-26	0411563	BELLCRANK ASSEMBLY ----- ATTACHING PARTS -----	3	
-27	AN3-10A	BOLT -----	1	
-28	MS21044N3	NUT ----- -----*	1	
-29	S1003-43A	BEARING -----	4	
-30	0411565	TUBE-DUAL BRAKE TORQUE -----	2	
-31	SEE FIG 62	CYLINDER ASSEMBLY-BRAKE -----	2	A B
	SEE FIG 63	CYLINDER ASSEMBLY-BRAKE ----- ATTACHING PARTS -----	2	
-32	MS20392-2C15	PIN -----	1	
-33	MS24665-132	PIN-COTTER ----- -----*	1	
-34	0411550	BRACKET-BRAKE CYLINDER OUTSIDE -----	1	
-35	0411549	BRACKET-BRAKE CYLINDER INSIDE ----- ATTACHING PARTS -----	1	
-36	AN3-3A	BOLT -----	2	
-37	MS20365-1032C	NUT ----- -----*	2	
-38	0716224-2	ANCHDR-INBOARD CYLINDER ATTACH -----	1	
A---150 SERIAL 15071129 & ON A150 SERIAL A1500001 & ON B---F150 SERIAL F15000530 & ON FA150 SERIAL FA1500001 & ON				

Brake Cylinder

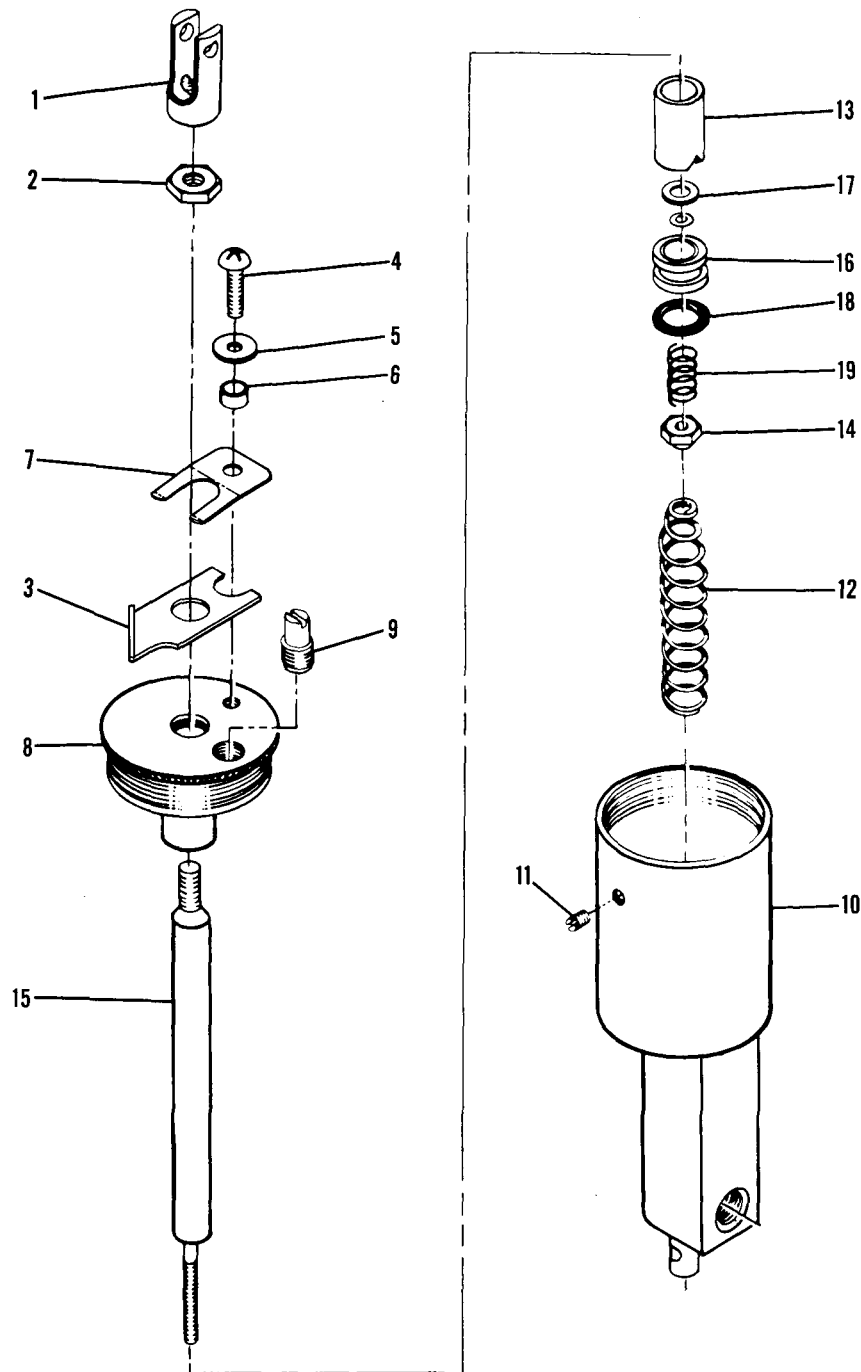


150 SERIAL 15071129 THRU 15071813
A150 SERIAL A1500001 THRU A1500170

Figure 62. Master Brake Cylinder Assembly

FIGURE AND INDEX NO.	PART NUMBER	DESCRIPTION	UNITS PER ASSY	USABLE ON CODE
		1 2 3 4 5 6 7		
62 -	C163020-0101	CYLINDER ASSEMBLY-MASTER BRAKE -----	2	A
- 1	A279A	CLEVIS GRDS -----	1	
- 2	AN316-4	NUT-LOCK -----	1	
- 3	A088A	SPRING GRDS -----	1	
- 4	A147A	LEVER-PARKING BRAKE GRDS -----	1	
- 5	AN3-5A	BOLT -----	1	
- 6	A126A	SPACER-RUBBER GRDS -----	1	
- 7	N5000-175	SNAP RING WKI -----	1	
- 8	A148A	PLUG-FILLER GRDS -----	1	
- 9	A064A	PLATE ASSEMBLY-COVER GRDS -----	1	
-10		BUSHING -----	NP	
-11	TS33-30	RUBBER RING SQ. CUT -----	1	
-12	A085A	SHAFT ASSEMBLY GRDS -----	1	
-13		COLLAR-THRUST GRDS -----	NP	
-14	X5133-21	SNAP RING WKI -----	1	
-15	AN6227B4	O RING -----	1	
-16	A223A	PISTON GRDS -----	1	
-17	AN6227B9	O RING -----	1	
-18	A113A	SPRING GRDS -----	1	
-19	X5133-21	SNAP RING WKI -----	1	
-20	A089A	SPRING GRDS -----	1	
-21	A087A	BOLT & LOCKWASHER ASSEMBLY GRDS -----	1	
-22	A061A	HOUSING-BRAKE CYLINDER GRDS -----	1	
		A---150 SERIAL 15071129 THRU 15071813 A150 SERIAL A1500001 THRU A1500170		

Brake Cylinder (Cont)



150 SERIAL 15071814 & ON
F150 SERIAL F15000530 & ON
A150 SERIAL A1500171 & ON
FA150 SERIAL FA1500001 & ON

Figure 63. Master Brake Cylinder Assembly

FIGURE AND INDEX NO.	PART NUMBER	DESCRIPTION	UNITS PER ASSY	USABLE ON CODE
		1 2 3 4 5 6 7		
63 -	0541138-19	CYLINDER ASSEMBLY-MASTER BRAKE -----	2	A
- 1	0541140	CLEVIS-ROD END -----	1	
- 2	AN316-4R	NUT-CHECK -----	1	
- 3	0541165-1	PLATE-LOCK -----	1	
		ATTACHING PARTS		
- 4	AN515-10R8	SCREW-MACHINE -----	1	
- 5	AN960-10	WASHER -----	1	
- 6	0541146-1	SPACER -----	1	
		-----*		
- 7	0541167-1	SPRING-PARKING BRAKE -----	1	
- 8	0541151	COVER-MASTER CYLINDER -----	1	
- 9	0541139	PLUG-FILLER -----	1	
-10	0541184-1	BODY-MASTER CYLINDER -----	1	
-11	AN565D6H3	SCREW -----	1	
-12	0541148	SPRING-PISTON RETURN -----	1	
-13	0541149	SLEEVE-PISTON ROD -----	1	
	0541138-5	PISTON ASSEMBLY-MASTER CYLINDER -----	1	
-14	22FH632	NUT SPS -----	1	
-15	0541144	ROD -----	1	
-16	0541143	PISTON -----	1	
-17	800-001-6	LOCK-O-SEAL PKSC -----	1	
-18	MS28775-110	O RING -----	1	
-19	0541148-1	SPRING -----	1	
A---150 SERIAL 15071814 & ON F150 SERIAL F15000530 & ON A150 SERIAL A1500171 & ON FA150 SERIAL FA1500001 & ON				

