

FIGURE AND INDEX NO.	PART NUMBER	DESCRIPTION	UNITS PER ASSY	USABLE ON CODE
		1 2 3 4 5 6 7		
79A-		VACUUM SYSTEM INSTALLATION -----	NP	A
- 1	C661075-0103 *	GYRO-DIRECTIONAL -----	1	
	C661075-0104 *	GYRO-DIRECTIONAL -----	1	
	C661075-0101 *	GYRO-DIRECTIONAL -----	1	
	C661075-0106 *	GYRO-DIRECTIONAL -----	1	B
	C661075-0105	GYRO-DIRECTIONAL WITH HEADING REFERENCE BUG -----	1	
		ATTACHING PARTS -----		
- 2	AN515B6R8	SCREW -----	4	
		---*---		
- 3	C661076-0102 %	GYRO-HORIZON -----	1	
	C661076-0101 %	GYRO-HORIZON -----	1	
	C661076-0103 %	GYRO-HORIZON -----	1	
	C661076-0105 %	GYRO-HORIZON -----	1	B
		ATTACHING PARTS -----		
- 4	AN51686R6	SCREW -----	4	
		---*---		
- 5	S1495-6	HOSE-11.50 IN LG BKI REF S1499-6L-11.50 -----	1	
		HORIZON GYRO TO RELIEF VALVE -----		
- 6	S1495-6	HOSE-19.25 IN LG BKI REF S1499-6L-19.25 -----	2	
		GYROS TO AIR FILTER -----		
- 7	S1495-4	HOSE-** IN LG BKI REF S1499-4J-** -----	1	
		HORIZON GYRO TOP SIDE OF SUCTION GAGE -----		
- 8	S1495-4	HOSE-** IN LG BKI REF S1691-2-** -----	1	
		HORIZON GYRO TO V SIDE OF SUCTION GAGE -----		
- 9	S1495-6	HOSE-11.50 IN LG BKI REF S1499-6L-11.50 -----	1	
		DIRECTIONAL GYRO TO RELIEF VALVE -----		
-10	S1495-10	HOSE-33.75 IN LG BKI REF S1495-10-33.75 -----	1	
		RELIEF VALVE TO VACUUM PUMP -----		
-11	S1497-6	FITTING-SOCKETLESS -----	4	
-12	S1693-1	STA STRAP -----	2	
-13	S1497-4	FITTING-SOCKETLESS -----	1	
-14	NAS397-8	CLAMP -----	3	
-15	1713039-1	ELBOW-ASSEMBLY -----	1	
-16	AN816-4D	NIPPLE -----	1	
-17	MS20826-6D	TEE -----	1	
-18	AN8160-6D	NIPPLE -----	3	
-19	MS20913-1D	PLUG-PIPE -----	1	
-20	S1494-10	CLAMP -----	2	
-21	S1494-14	CLAMP -----	2	
-22	C668509-0101	GAGE-SUCTION -----	1	
-23	C294502-0101	AIR FILTER ASSY-VACUUM -----	1	
		ATTACHING PARTS -----		
-24	S1693-3	STA STRAP -----	2	
		---*---		
-25	0713533-1	U TUBE-VACUUM FILTER -----	1	
-26	S1495-6	HOSE-2.0 IN LG BKI -----	1	
		ATTACHING PARTS -----		
-27	S1693-1	STA STRAP -----	2	
		---*---		
-28	0513448-1	BRACKET-AIR FILTER -----	1	
		ATTACHING PARTS -----		
-29	AN520-10R10	SCREW -----	2	
-30	AN960PD10L	WASHER -----	4	
-31	MS21045L3	NUT -----	2	
		---*---		
-32	C482001-0401	VALVE-VACUUM RELIEF -----	1	
		ATTACHING PARTS -----		
-33	AN924-10D	NUT -----	1	
-34	S1450-14A20-016	WASHER -----	2	
		---*---		
-35	C482001-0202	FILTER ELEMENT -----	1	
-36	C431003-0103	PUMP-VACUUM -----	1	
	C431002-0102	PUMP-VACUUM ALTERNATE -----	1	
	C431003-0301 %%	PUMP-VACUUM ALTERNATE -----	1	
-37	S1861-6	ELBOW -----	1	
-38	AN816-6-6D	NIPPLE -----	1	

CONTINUED ON NEXT PAGE

FIGURE AND INDEX NO.	PART NUMBER	DESCRIPTION							UNITS PER ASSY	USABLE ON CODE
		1	2	3	4	5	6	7		
79A-39 -40	0400311-88 AN912-40	TUBE ----- BUSHING USED WITH C431003-0301 PUMP ONLY ----- NOTE. *THESE GYROS ARE PHYSICALLY & FUNCTIONALLY INTERCHANGEABLE. NOTE. ‡THESE GYROS ARE PHYSICALLY & FUNCTIONALLY INTERCHANGEABLE. NOTE. **LENGTH TO BE DETERMINED LATER. NOTE. ‡‡WHEN C431003-0301 PUMP IS SUPPLIED AS A SPARE FOR C431002-0102 OR C431003-0103 PUMP, TWO AN912-40 BUSHINGS MUST ALSO BE ORDERED. A---150 SERIAL 15077006 & ON F150 SERIAL F15001249 & ON A150 SERIAL A1500610 & ON FA150 SERIAL FA1500282 & ON B---150 SERIAL 15077006 & ON A150 SERIAL A1500610 & ON							1 2	

FIGURE AND INDEX NO.	PART NUMBER	DESCRIPTION	UNITS PER ASSY	USABLE ON CODE
80 -		ELECTRICAL EQUIPMENT INSTALLATION -----	NP	
- 1	0511319-201 *	BATTERY KIT-AIRCRAFT -----	1	
- 2	0412007-9	STRAP-BATTERY GROUND -----	1	
	S292-16	SLEEVING-INSULATION 10.00 IN LG BKI -----	1	K
- 3	0410011-PA8	CABLE-BATTERY TO BATTERY CONTACTOR -----	1	J
	0470401-PA1	CABLE-BATTERY TO BATTERY CONTACTOR -----	1	K
- 4	0410011-PA14	CABLE-BATTERY CONTACTOR TO STARTER CONTACTOR -----	1	J
	0470401-PA5	CABLE-BATTERY CONTACTOR TO STARTER CONTACTOR -----	1	K
- 5	S1579-1	CONTACTOR-BATTERY WEU S1579-2 -----	1	E
	S1579-2	CONTACTOR-BATTERY -----	1	F
		ATTACHING PARTS		
- 6	AN3-3A	BOLT -----	2	
- 7	AN960-10L	WASHER -----	2	
- 8	MS20365-1032C	NUT -----	2	
		-----*-----		
- 9	S1807-1	COVER -----	2	
-10	S2209-1	STA-STRAP -----	2	
-11	0770728-1	DIODE ASSEMBLY INCLUDES TERMINALS -----	1	
-12	S1090-22	FUSE HOLDER ASSEMBLY-ELECTRIC CLOCK & HOURMETER -----	1	
	S1090-23	CAP -----	1	
	S1091-1	FUSE-1 AMP ELECTRIC CLOCK & HOURMETER -----	1	
		GROUND SERVICE PLUG INSTALLATION -----	1	
-13	AN2552-3A	RECEPTACLE-GROUND SERVICE PLUG -----	1	
		ATTACHING PARTS		
-14	AN509-10R14	SCREW -----	2	
-15	MS21045L3	NUT -----	2	
		-----*-----		
-16	0553005-1	BRACKET-GROUND SERVICE PLUG -----	1	
-17	0453004-1	DOUBLER -----	1	
-18	0453005-1	STIFFENER -----	1	
-19	0312155-10	GROUND STRAP -----	1	

CONTINUED ON NEXT PAGE

Electrical Equipment

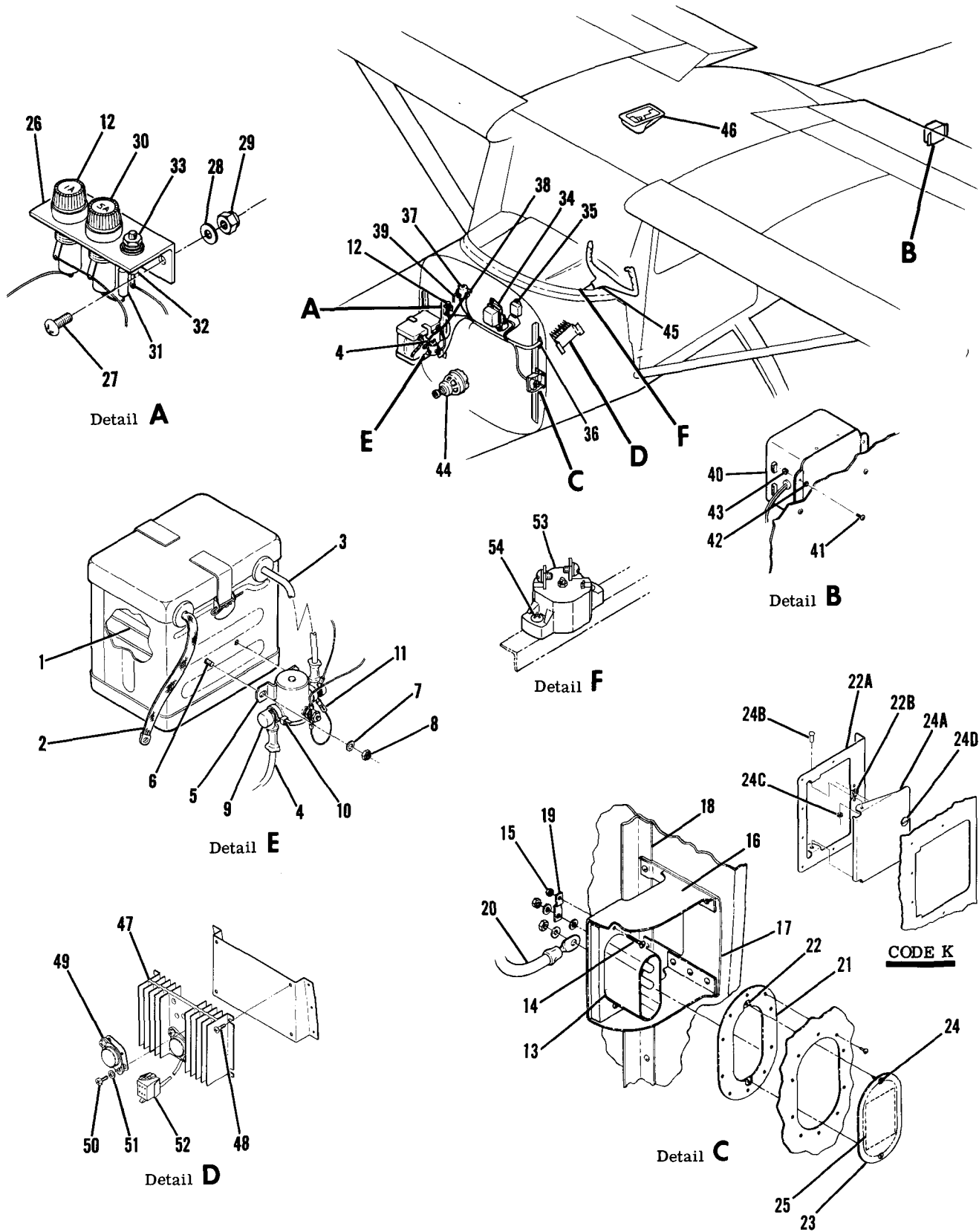


Figure 80. Electrical Equipment Installation