

11

**PLACARDS AND
MARKINGS**

CHAPTER 11
 PLACARDS AND MARKINGS
 LIST OF EFFECTIVE PAGES

CH-SECT	UNIT-FIG	PAGE	DATE	CH-SECT	UNIT-FIG	PAGE	DATE
LEP		1 *	NOV 30/18	11-23-01	1	0 *	NOV 30/18
LEP		2 *	NOV 30/18	11-23-01	1	1 *	NOV 30/18
LEP		3 *	NOV 30/18	11-23-02	1	0 *	NOV 30/18
LEP		4 *	NOV 30/18	11-23-02	1	1 *	NOV 30/18
TOC		1 *	NOV 30/18	11-24-00	1	0 *	NOV 30/18
TOC		2 *	NOV 30/18	11-24-00	1	1 *	NOV 30/18
TOC		3 *	NOV 30/18	11-25-00	1	0 *	NOV 30/18
TOC		4 *	NOV 30/18	11-25-00	1	1 *	NOV 30/18
TOC		5 *	NOV 30/18	11-25-00	1A	0 *	NOV 30/18
TOC		6 *	NOV 30/18	11-25-00	1A	1 *	NOV 30/18
TOC		7 *	NOV 30/18	11-25-00	1B	0 *	NOV 30/18
11-00-00	1	0 *	NOV 30/18	11-25-00	1B	1 *	NOV 30/18
11-00-00	1	1 *	NOV 30/18	11-26-00	1	0 *	NOV 30/18
11-20-00	1	0 *	NOV 30/18	11-26-00	1	1 *	NOV 30/18
11-20-00	1	1 *	NOV 30/18	11-26-00	1A	0 *	NOV 30/18
11-21-00	1	0 *	NOV 30/18	11-26-00	1A	1 *	NOV 30/18
11-21-00	1	1 *	NOV 30/18	11-26-00	1B	0 *	NOV 30/18
11-21-01	1	0 *	NOV 30/18	11-26-00	1B	1 *	NOV 30/18
11-21-01	1	1 *	NOV 30/18	11-30-00	1	0 *	NOV 30/18
11-21-01	2	0 *	NOV 30/18	11-30-00	1	1 *	NOV 30/18
11-21-01	2	1 *	NOV 30/18	11-31-00	1	0 *	NOV 30/18
11-21-02	1	0 *	NOV 30/18	11-31-00	1	1 *	NOV 30/18
11-21-02	1	1 *	NOV 30/18	11-31-01	1	0 *	NOV 30/18
11-22-00	1	0 *	NOV 30/18	11-31-01	1	1 *	NOV 30/18
11-22-00	1	1 *	NOV 30/18	11-31-01	1A	0 *	NOV 30/18
11-22-01	1	0 *	NOV 30/18	11-31-01	1A	1 *	NOV 30/18
11-22-01	1	1 *	NOV 30/18	11-31-02	1	0 *	NOV 30/18
11-22-01	1	2 *	NOV 30/18	11-31-02	1	1 *	NOV 30/18
11-22-01	1	3 *	NOV 30/18	11-31-02	1A	0 *	NOV 30/18
11-22-01	1A	0 *	NOV 30/18	11-31-02	1A	1 *	NOV 30/18
11-22-01	1A	1 *	NOV 30/18	11-31-02	1B	0 *	NOV 30/18
11-22-01	2	0 *	NOV 30/18	11-31-02	1B	1 *	NOV 30/18
11-22-01	2	1 *	NOV 30/18	11-31-02	1C	0 *	NOV 30/18
11-22-01	3	0 *	NOV 30/18	11-31-02	1C	1 *	NOV 30/18
11-22-01	3	1 *	NOV 30/18	11-31-02	2	0 *	NOV 30/18
11-22-02	1	0 *	NOV 30/18	11-31-02	2	1 *	NOV 30/18
11-22-02	1	1 *	NOV 30/18	11-31-03	1	0 *	NOV 30/18
11-22-02	2	0 *	NOV 30/18	11-31-03	1	1 *	NOV 30/18
11-22-02	2	1 *	NOV 30/18	11-31-03	1A	0 *	NOV 30/18
11-23-00	1	0 *	NOV 30/18	11-31-03	1A	1 *	NOV 30/18
11-23-00	1	1 *	NOV 30/18	11-31-03	1B	0 *	NOV 30/18

* THE ASTERISK INDICATES PAGES CHANGED, ADDED OR DELETED

11 - LIST OF EFFECTIVE PAGES

CH-SECT				CH-SECT			
UNIT-FIG	PAGE		DATE	UNIT-FIG	PAGE		DATE
11-31-03	1B	1 *	NOV 30/18	11-33-02	1	0 *	NOV 30/18
11-31-03	2	0 *	NOV 30/18	11-33-02	1	1 *	NOV 30/18
11-31-03	2	1 *	NOV 30/18	11-33-02	1A	0 *	NOV 30/18
11-31-04	1	0 *	NOV 30/18	11-33-02	1A	1 *	NOV 30/18
11-31-04	1	1 *	NOV 30/18	11-33-02	1B	0 *	NOV 30/18
11-31-05	1	0 *	NOV 30/18	11-33-02	1B	1 *	NOV 30/18
11-31-05	1	1 *	NOV 30/18	11-33-02	1C	0 *	NOV 30/18
11-32-00	1	0 *	NOV 30/18	11-33-02	1C	1 *	NOV 30/18
11-32-00	1	1 *	NOV 30/18	11-33-02	1D	0 *	NOV 30/18
11-32-01	1	0 *	NOV 30/18	11-33-02	1D	1 *	NOV 30/18
11-32-01	1	1 *	NOV 30/18	11-33-02	1E	0 *	NOV 30/18
11-32-01	1A	0 *	NOV 30/18	11-33-02	1E	1 *	NOV 30/18
11-32-01	1A	1 *	NOV 30/18	11-33-02	1F	0 *	NOV 30/18
11-32-01	1B	0 *	NOV 30/18	11-33-02	1F	1 *	NOV 30/18
11-32-01	1B	1 *	NOV 30/18	11-33-03	1	0 *	NOV 30/18
11-32-01	1C	0 *	NOV 30/18	11-33-03	1	1 *	NOV 30/18
11-32-01	1C	1 *	NOV 30/18	11-33-03	3	0 *	NOV 30/18
11-32-01	1D	0 *	NOV 30/18	11-33-03	3	1 *	NOV 30/18
11-32-01	1D	1 *	NOV 30/18	11-34-00	1	0 *	NOV 30/18
11-32-02	1	0 *	NOV 30/18	11-34-00	1	1 *	NOV 30/18
11-32-02	1	1 *	NOV 30/18	11-34-01	1	0 *	NOV 30/18
11-32-02	1A	0 *	NOV 30/18	11-34-01	1	1 *	NOV 30/18
11-32-02	1A	1 *	NOV 30/18	11-34-01	1A	0 *	NOV 30/18
11-32-02	2	0 *	NOV 30/18	11-34-01	1A	1 *	NOV 30/18
11-32-02	2	1 *	NOV 30/18	11-34-01	2	0 *	NOV 30/18
11-32-03	1	0 *	NOV 30/18	11-34-01	2	1 *	NOV 30/18
11-32-03	1	1 *	NOV 30/18	11-34-01	3	0 *	NOV 30/18
11-32-03	1A	0 *	NOV 30/18	11-34-01	3	1 *	NOV 30/18
11-32-03	1A	1 *	NOV 30/18	11-34-01	4	0 *	NOV 30/18
11-32-03	1B	0 *	NOV 30/18	11-34-01	4	1 *	NOV 30/18
11-32-03	1B	1 *	NOV 30/18	11-34-01	5	0 *	NOV 30/18
11-32-04	1	0 *	NOV 30/18	11-34-01	5	1 *	NOV 30/18
11-32-04	1	1 *	NOV 30/18	11-34-02	1	0 *	NOV 30/18
11-32-04	2	0 *	NOV 30/18	11-34-02	1	1 *	NOV 30/18
11-32-04	2	1 *	NOV 30/18	11-34-02	2	0 *	NOV 30/18
11-33-00	1	0 *	NOV 30/18	11-34-02	2	1 *	NOV 30/18
11-33-00	1	1 *	NOV 30/18	11-34-02	3	0 *	NOV 30/18
11-33-01	1	0 *	NOV 30/18	11-34-02	3	1 *	NOV 30/18
11-33-01	1	1 *	NOV 30/18	11-35-00	1	0 *	NOV 30/18
11-33-01	2	0 *	NOV 30/18	11-35-00	1	1 *	NOV 30/18
11-33-01	2	1 *	NOV 30/18	11-35-00	2	0 *	NOV 30/18
11-33-01	3	0 *	NOV 30/18	11-35-00	2	1 *	NOV 30/18
11-33-01	3	1 *	NOV 30/18	11-35-00	3	0 *	NOV 30/18
11-33-01	5	0 *	NOV 30/18	11-35-00	3	1 *	NOV 30/18
11-33-01	5	1 *	NOV 30/18	11-35-00	4	0 *	NOV 30/18

* THE ASTERISK INDICATES PAGES CHANGED, ADDED OR DELETED

11 - LIST OF EFFECTIVE PAGES

PAGE 2

CH-SECT	UNIT-FIG	PAGE		DATE	CH-SECT	UNIT-FIG	PAGE	DATE
11-35-00	4	1	*	NOV 30/18				
11-36-00	1	0	*	NOV 30/18				
11-36-00	1	1	*	NOV 30/18				
11-36-01	1	0	*	NOV 30/18				
11-36-01	1	1	*	NOV 30/18				
11-36-01	1A	0	*	NOV 30/18				
11-36-01	1A	1	*	NOV 30/18				
11-36-01	1B	0	*	NOV 30/18				
11-36-01	1B	1	*	NOV 30/18				
11-36-01	2	0	*	NOV 30/18				
11-36-01	2	1	*	NOV 30/18				
11-36-01	2A	0	*	NOV 30/18				
11-36-01	2A	1	*	NOV 30/18				
11-36-02	1	0	*	NOV 30/18				
11-36-02	1	1	*	NOV 30/18				
11-36-02	1A	0	*	NOV 30/18				
11-36-02	1A	1	*	NOV 30/18				
11-36-03	1	0	*	NOV 30/18				
11-36-03	1	1	*	NOV 30/18				
11-36-03	1A	0	*	NOV 30/18				
11-36-03	1A	1	*	NOV 30/18				
11-37-00	1	0	*	NOV 30/18				
11-37-00	1	1	*	NOV 30/18				
11-37-00	2	0	*	NOV 30/18				
11-37-00	2	1	*	NOV 30/18				
11-37-00	2	2	*	NOV 30/18				

* THE ASTERISK INDICATES PAGES CHANGED, ADDED OR DELETED

11 - LIST OF EFFECTIVE PAGES

PAGE INTENTIONALLY BLANK

11 - LIST OF EFFECTIVE PAGES

PAGE 4

NOV 30/18

CHAPTER 11
PLACARDS AND MARKINGS
TABLE OF CONTENTS

SUBJECT	CHAPTER SECTION FIG. SUBJECT	VALIDITY
PLACARDS AND MARKINGS	11-00	
PLACARDS AND MARKINGS	11-00-00 1	S/N 1 - 9999

SUBJECT	CHAPTER SECTION FIG. SUBJECT	VALIDITY
EXTERIOR PLACARDS AND MARKINGS	11-20	
EXTERIOR PLACARDS AND MARKINGS	11-20-00 1	S/N 1 - 9999
AREA 100	11-21-00	
AREA 100	11-21-00 1	S/N 1 - 9999
EXTERIOR	11-21-01 1	S/N 1 - 9999
EXTERIOR	11-21-01 2	S/N 1 - 9999
INTERIOR	11-21-02 1	S/N 1 - 9999
AREA 210	11-22-00	
AREA 210	11-22-00 1	S/N 1 - 9999
EXTERIOR	11-22-01 1	S/N 1 - 9999
EXTERIOR	11-22-01 1A	BRAZIL
EXTERIOR	11-22-01 2	GROUND POWER RECEPTACLE
EXTERIOR	11-22-01 3	ELT
INTERIOR	11-22-02 1	S/N 1 - 9999
INTERIOR	11-22-02 2	OPTION
AREA 220	11-23-00	
AREA 220	11-23-00 1	S/N 1 - 9999
EXTERIOR	11-23-01 1	S/N 1 - 9999
INTERIOR	11-23-02 1	S/N 1 - 9999
AREA 300	11-24-00	
AREA 300	11-24-00 1	OPTION
AREAS 500/600	11-25-00	
AREAS 500/600	11-25-00 1	S/N 1 - 764, 766 - 878, WITH FUEL TANKS 26.9 U.S. GAL (102 L)
AREAS 500/600	11-25-00 1A	S/N 1 - 9999 WITH FUEL TANKS 20.1 U.S. GAL (76 L)
AREAS 500/600	11-25-00 1B	BRAZIL, WITH FUEL TANKS 20.1 U.S. GAL (76 L)
AREA 700	11-26-00	

11 - TABLE OF CONTENTS

SUBJECT	CHAPTER SECTION FIG. SUBJECT	VALIDITY
AREA 700	11-26-00 1	S/N 1 - 9999 WITH TELESCOPIC LEG MLG
AREA 700	11-26-00 1A	BRAZIL, WITH TELESCOPIC LEG MLG
AREA 700	11-26-00 1B	S/N 1 - 9999 WITH TRAILING ARM MLG

SUBJECT	CHAPTER SECTION FIG. SUBJECT	VALIDITY
INTERIOR PLACARDS AND MARKINGS	11-30	
INTERIOR PLACARDS AND MARKINGS	11-30-00 1	S/N 1 - 9999
AREA 230	11-31-00	
AREA 230	11-31-00 1	S/N 1 - 9999
DOORS	11-31-01 1	S/N 1 - 9999
DOORS	11-31-01 1A	BRAZIL
CIRCUIT-BREAKER PANEL	11-31-02 1	S/N 1 - 44, 46 - 48, 52, 53
CIRCUIT-BREAKER PANEL	11-31-02 1A	S/N 45, 49 - 51, 54 - 822, 850 - 887, 889 - 947
CIRCUIT-BREAKER PANEL	11-31-02 1B	S/N 823 - 849, 888, 948 - 9999, PRE-MOD. 151
CIRCUIT-BREAKER PANEL	11-31-02 1C	S/N 1 - 9999 POST-MOD. 151
CIRCUIT-BREAKER PANEL	11-31-02 2	OPTION
FUSE BOX	11-31-03 1	S/N 1 - 560
FUSE BOX	11-31-03 1A	S/N 561 - 822, 850 - 887, 889 - 947
FUSE BOX	11-31-03 1B	S/N 823 - 849, 888, 948 - 9999
FUSE BOX	11-31-03 2	OPTION
DUCT	11-31-04 1	OPTION
MISCELLANEOUS	11-31-05 1	S/N 1 - 9999
AREA 240	11-32-00	
AREA 240	11-32-00 1	S/N 1 - 9999
INSTRUCTION	11-32-01 1	S/N 1 - 587, 589 - 599, 601 - 609, NOT VALID FOR ENGLISH-SPEAKING COUNTRIES
INSTRUCTION	11-32-01 1A	S/N 1 - 587, 589 - 599, 601 - 609, ENGLISH-SPEAKING COUNTRIES

11 - TABLE OF CONTENTS

PAGE 4

NOV 30/18

SUBJECT	CHAPTER SECTION FIG. SUBJECT	VALIDITY
INSTRUCTION	11-32-01 1B	S/N 588, 600, 610 - 9999, NOT VALID FOR ENGLISH-SPEAKING COUNTRIES, WITHOUT OPTION OPT10 D856
INSTRUCTION	11-32-01 1C	S/N 588, 600, 610 - 9999, ENGLISH-SPEAKING COUNTRIES, WITHOUT OPTION OPT10 D856
INSTRUCTION	11-32-01 1D	S/N 948 - 9999 NOT VALID FOR ENGLISH-SPEAKING COUNTRIES, WITH OPTION OPT10 D856
FLIGHT CONDITIONS	11-32-02 1	STD
FLIGHT CONDITIONS	11-32-02 1A	OPTION
FLIGHT CONDITIONS	11-32-02 2	OPTION
CARGO COMPARTMENT DOOR	11-32-03 1	S/N 1 - 9999 PRE-MOD. 151
CARGO COMPARTMENT DOOR	11-32-03 1A	BRAZIL, S/N 400 - 412, 414 - 9999
CARGO COMPARTMENT DOOR	11-32-03 1B	S/N 1 - 9999 POST-MOD. 151
MISCELLANEOUS	11-32-04 1	S/N 1 - 9999
MISCELLANEOUS	11-32-04 2	OPTION
AREA 250	11-33-00	
AREA 250	11-33-00 1	S/N 1 - 9999
L.H. INSTRUMENT PANEL	11-33-01 1	S/N 1 - 9999
L.H. INSTRUMENT PANEL	11-33-01 2	OPTION
L.H. INSTRUMENT PANEL	11-33-01 3	GPS
L.H. INSTRUMENT PANEL	11-33-01 5	ELT
VISUAL ALARM PANEL	11-33-02 1	S/N 1 - 587
VISUAL ALARM PANEL	11-33-02 1A	S/N 588 - 9999 PRE-MOD. 151, NOT VALID FOR GPS
VISUAL ALARM PANEL	11-33-02 1B	GPS PRE-MOD. 151, NOT VALID FOR ENGLISH-SPEAKING COUNTRIES
VISUAL ALARM PANEL	11-33-02 1C	GPS PRE-MOD. 151, ENGLISH-SPEAKING COUNTRIES

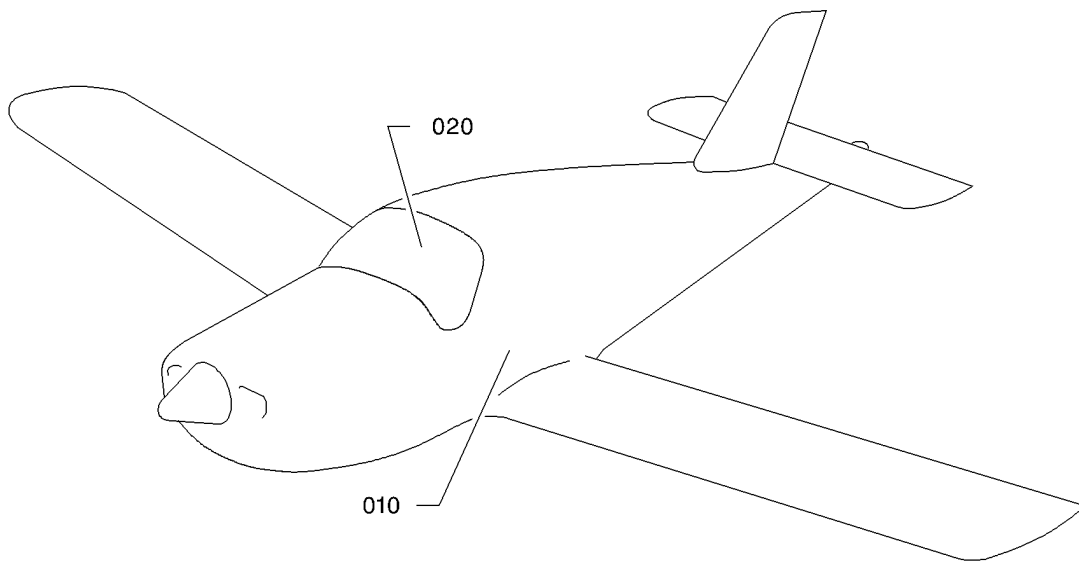
11 - TABLE OF CONTENTS

PAGE 5

SUBJECT	CHAPTER SECTION FIG. SUBJECT	VALIDITY
VISUAL ALARM PANEL	11-33-02 1D	S/N 1 - 9999 POST-MOD. 151, NOT VALID FOR ENGLISH - SPEAKING COUNTRIES
VISUAL ALARM PANEL	11-33-02 1E	S/N 1 - 9999 POST-MOD. 151, ENGLISH - SPEAKING COUNTRIES
VISUAL ALARM PANEL	11-33-02 1F	GPS
R.H. INSTRUMENT PANEL	11-33-03 1	OPTION
R.H. INSTRUMENT PANEL	11-33-03 3	ELT
STRIPS	11-34-00	
STRIPS	11-34-00 1	S/N 1 - 9999
L.H. STRIP	11-34-01 1	S/N 1 - 764, 766 - 878, WITH FUEL TANKS 26.9 U.S. GAL (102 L)
L.H. STRIP	11-34-01 1A	S/N 1 - 9999 WITH FUEL TANKS 20.1 U.S. GAL (76 L)
L.H. STRIP	11-34-01 2	OPTION
L.H. STRIP	11-34-01 3	RADIO AND A/P MASTER
L.H. STRIP	11-34-01 4	RADIO AND A/P MASTER
L.H. STRIP	11-34-01 5	EMERGENCY STATIC
R.H. STRIP	11-34-02 1	S/N 1 - 9999
R.H. STRIP	11-34-02 2	OPTION
R.H. STRIP	11-34-02 3	RADIO AND A/P MASTER
CENTRAL CONSOLE	11-35-00	
CENTRAL CONSOLE	11-35-00 1	S/N 1 - 9999
CENTRAL CONSOLE	11-35-00 2	OPTION
CENTRAL CONSOLE	11-35-00 3	OPTION
CENTRAL CONSOLE	11-35-00 4	OPTION
PEDESTAL	11-36-00	
PEDESTAL	11-36-00 1	S/N 1 - 9999
FRONT PEDESTAL	11-36-01 1	S/N 1 - 587, 589 - 599, 601 - 609

11 - TABLE OF CONTENTS

SUBJECT	CHAPTER SECTION FIG. SUBJECT	VALIDITY
FRONT PEDESTAL	11-36-01 1A	S/N 588, 600, 610 - 9999, NOT VALID FOR ENGLISH-SPEAKING COUNTRIES
FRONT PEDESTAL	11-36-01 1B	S/N 588, 600, 610 - 9999, ENGLISH-SPEAKING COUNTRIES
FRONT PEDESTAL	11-36-01 2	S/N 1 - 587, 589 - 599, 601 - 609
FRONT PEDESTAL PEDESTAL - CENTRAL PART	11-36-01 2A 11-36-02 1	S/N 588, 600, 610 - 9999 S/N 1 - 764, 766 - 878, WITH CONSTANT SPEED PROPELLER
PEDESTAL - CENTRAL PART	11-36-02 1A	S/N 1 - 9999 WITH FIXED PITCH PROPELLER
PEDESTAL - REAR PART	11-36-03 1	S/N 731 - 764, 766 - 878, WITH FUEL TANKS 26.9 U.S. GAL (102 L)
PEDESTAL - REAR PART	11-36-03 1A	S/N 731 - 9999 WITH FUEL TANKS 20.1 U.S. GAL (76 L)
MISCELLANEOUS	11-37-00	
MISCELLANEOUS	11-37-00 1	OPTION
MISCELLANEOUS	11-37-00 2	SEE SB 10-099-28



I411000AAABWZ4300

PLACARDS AND MARKINGS
FIGURE 1

FIG.ITEM	PART NUMBER	NOMENCLATURE		EFFECT FROM TO	UNITS PER ASSY	OBS
		1234567 				
1 - 1	TB11-00-00-01-001		PLACARDS AND MARKINGS		RF	
10	TB11-20-00-01		.EXTERIOR PLACARDS AND MARKINGS		1	
20	TB11-30-00-01		.INTERIOR PLACARDS AND MARKINGS		1	

- ITEM NOT ILLUSTRATED

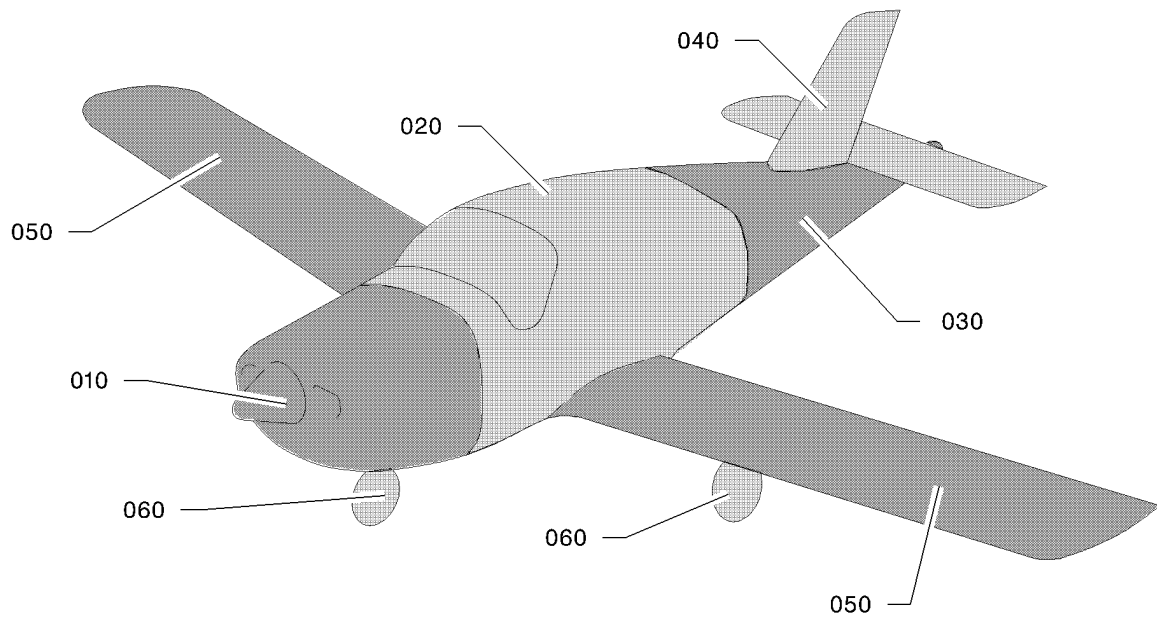
11-00-00

FIG. 1

PAGE 1 R

NOV 30/18

S/N 1 - 9999



I4110000AAA BWZ14300

EXTERIOR PLACARDS AND MARKINGS
FIGURE 1

11-20-00

FIG. 1
PAGE 0 R

NOV 30/18

FIG.ITEM	PART NUMBER	NOMENCLATURE	EFFECT FROM TO	UNITS PER ASSY	OBS
1 - 1 10 20 30 40 50 60	TB11-20-00-01-001 TB11-21-00-01 TB11-22-00-01 TB11-23-00-01 TB11-24-00-01 TB11-25-00-01 TB11-26-00-01	1234567 EXTERIOR PLACARDS AND MARKINGS .AREA 100 .AREA 210 .AREA 220 .AREA 300 .AREAS 500/600 .AREA 700		RF 1 1 1 1 1 1	

- ITEM NOT ILLUSTRATED

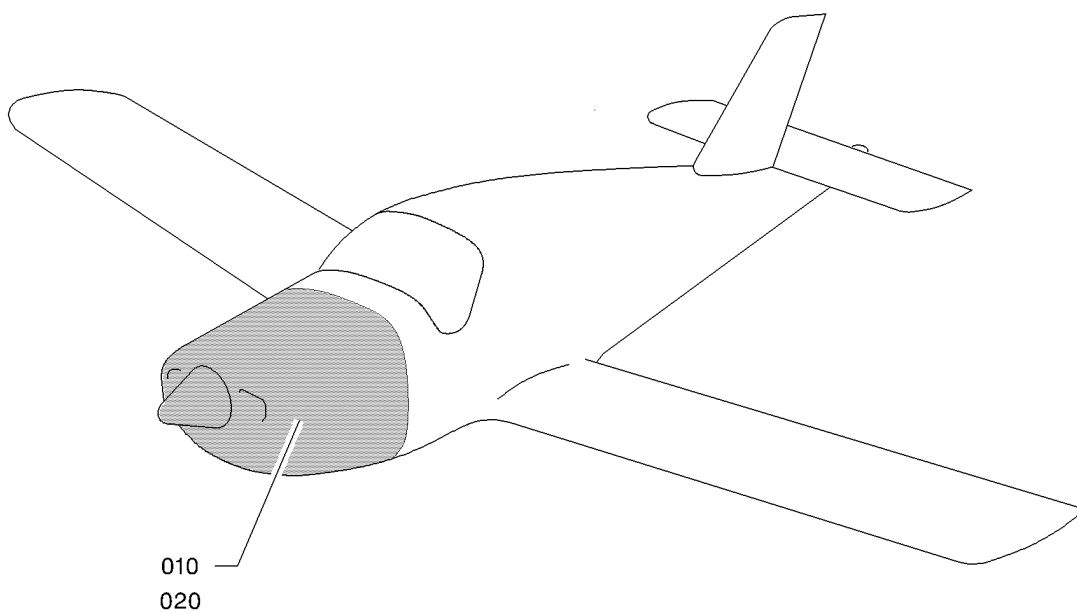
11-20-00

FIG. 1

PAGE 1 R

NOV 30/18

S/N 1 - 9999



I411000AAABWZ4400

AREA 100
FIGURE 1

S/N 1 - 9999

11-21-00
FIG. 1
PAGE 0 R
NOV 30/18

FIG.ITEM	PART NUMBER	NOMENCLATURE	EFFECT FROM TO	UNITS PER ASSY	OBS
1 - 1 10 20	TB11-21-00-01-001 TB11-21-01-01 TB11-21-02-01	<div style="display: flex; align-items: center;"> <div style="margin-right: 10px;">1234567 </div> <div> AREA 100 .EXTERIOR .INTERIOR </div> </div>		RF 1 1	

- ITEM NOT ILLUSTRATED

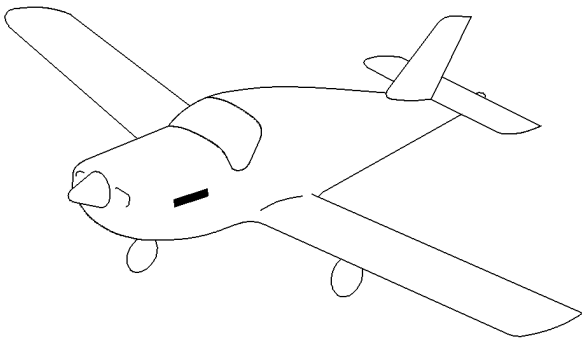
11-21-00

FIG. 1

PAGE 1 R

NOV 30/18

S/N 1 - 9999



030

TAMPICO GT

010

TAMPICO

Club

020

EXTERIOR
FIGURE 1

11-21-01

FIG. 1

PAGE 0 R

NOV 30/18

I4112001AAAFUZ4301

FIG. ITEM	PART NUMBER	1234567 	NOMENCLATURE	EFFECT FROM TO	UNITS PER ASSY	OBS
1 - 1	TF11-21-01-01-001		EXTERIOR		RF	
10	7063651201		.LABEL VF7828 OPT TO TAMPICO BLANC MADE BY VF7828 WHITE MARKING		2	
- 10A	7063651205		.LABEL VF7828 OPT TO TAMPICO NOIR MADE BY VF7828 BLACK MARKING		2	
20	7063651208		.LABEL VF7828 OPT TO CLUB NOIR MADE BY VF7828 BLACK MARKING		2	
30	7063264003		.L.H. LABEL, BLACK MARKING POST-MOD. 151		1	
- 30A	7063264002		.R.H. LABEL, BLACK MARKING POST-MOD. 151		1	
- 30B	7063264001		.L.H. LABEL, WHITE MARKING POST-MOD. 151		1	
- 30C	7063264000		.R.H. LABEL, WHITE MARKING POST-MOD. 151		1	

- ITEM NOT ILLUSTRATED

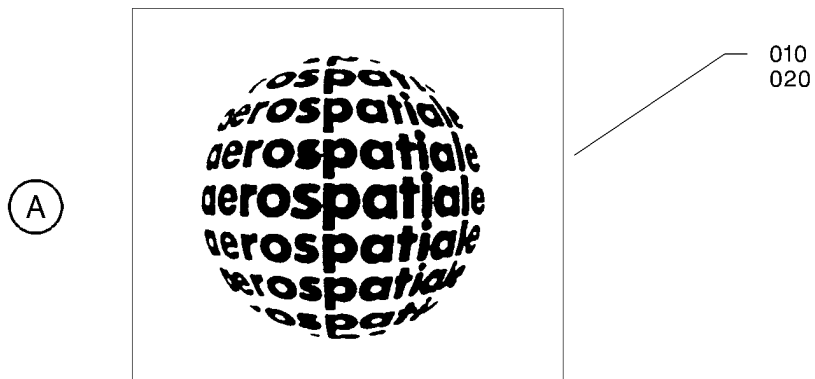
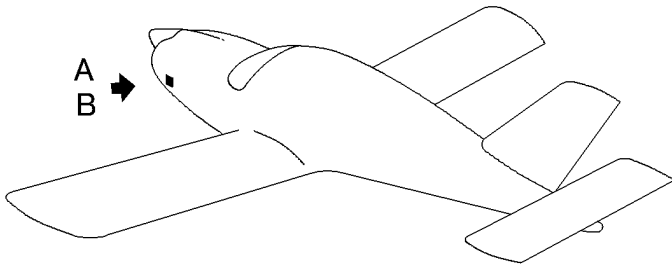
11-21-01

FIG. 1

PAGE 1 R

NOV 30/18

S/N 1 - 9999



I4112000AAA BYZ4305

EXTERIOR
FIGURE 2

11-21-01

FIG. 2

PAGE 0 R

NOV 30/18

FIG.ITEM	PART NUMBER	NOMENCLATURE		EFFECT FROM TO	UNITS PER ASSY	OBS
		1234567 				
2 - 1	TB11-21-01-02-001		EXTERIOR		RF	
10	TB10 72061100		.LABEL S/N 1 - 1624 BLACK MARKING RPLD BY 7252651201		2	NP
- 10A	7252651201		.LABEL OPT TO TB1072061100 AEROSP. NOIR MADE BY VF7828 S/N 1 - 1624 BLACK MARKING RPLS TB10 72061100		2	R
10B	7252654101		.LABEL OPT TO TB1072064101 SOCATA BLANC MADE BY VF7828 S/N 1625 - 2053, 2055 - 2089, 2091 - 2097, 2100 - 2101, WHITE MARKING		2	R
20	TB10 72061101		.LABEL S/N 1 - 1624 WHITE MARKING RPLD BY 7252651200		2	NP
- 20A	7252651200		.LABEL OPT TO TB1072061101 AEROSP. BLANC MADE BY VF7828 S/N 1 - 1624 WHITE MARKING RPLS TB10 72061101		2	R
20B	7252654100		.LABEL OPT TO TB1072064100 SOCATA G.A NOIR MADE BY VF7828 S/N 1625 - 2053, 2055 - 2089, 2091 - 2097, 2100 - 2101, BLACK MARKING		2	R
30	TB10 72074100		.LABEL S/N 2054, 2090, 2096, 2098, 2099, 2102 - 9999		2	

- ITEM NOT ILLUSTRATED

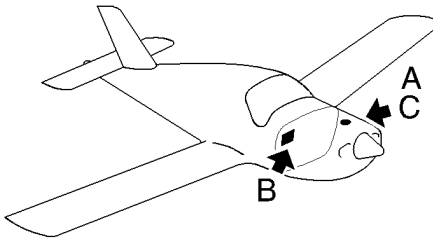
11-21-01

FIG. 2

PAGE 1

NOV 30/18

S/N 1 - 9999



(B)

030
040

VERIFIER PERIODIQUEMENT LE NIVEAU DU LIQUIDE DE FREINS. LIQUIDE : AEROSHELL FLUID. 41 (A DEFAUT VOIR MANUEL DE VOL)
CHECK OFTEN LEVEL OF HYDRAULIC BRAKES. FLUID : AEROSHELL FLUID. 41 (FOR LACK OF SEE THE FLIGHT MANUAL)
BREMSOLSTAND LAUFEND NACHPRUFEN. BREMSOL : AEROSHELL FLUID. 41 (IN ERMANGELUNG FLUGHANDBUCH SEHEN)

(A)

010B

A la livraison ce moteur est lubrifié avec une huile minérale. Après les 50 premières heures, utiliser une huile dispersante. Pour les viscosités se reporter au manuel de vol.	On delivery this engine is filled up with mineral oil. After the first 50 hours use ashless dispersant oil. For the grades see pilot's operating handbook.
---	--

010A

NA ENTREGA ESTE MOTOR ESTÁ LUBRIFICADO COM :	ON DELIVERY . THIS ENGINE IS FILLED UP WITH :
AeroShell OIL 80	
APÓS AS 50 PRIMEIRAS HORAS, UTILIZAR:	AFTER THE FIRST 50 HOURS . USE :
AeroShell OIL W 80	

A LA LIVRAISON . CE MOTEUR EST LUBRIFIE AVEC :	ON DELIVERY . THIS ENGINE IS FILLED UP WITH :
AeroShell OIL 80	
APRES LES 50 PREMIERES HEURES. UTILISER :	AFTER THE FIRST 50 HOURS . USE :
AeroShell OIL W 80	

010

(C)

CAPACIDADE DE ÓLEO
 8 l
 8,4 qt

020A

Capacité d'huile 8 l 8,4 qt	Oil system capacity 8 l 8.4 qt
-----------------------------------	--------------------------------------

020

INTERIOR
FIGURE 1

11-21-02

FIG. 1

PAGE 0 R

NOV 30/18

FIG.ITEM	PART NUMBER	NOMENCLATURE		EFFECT FROM TO	UNITS PER ASSY	OBS
		1234567 				
1 - 1	TF11-21-02-01-001		INTERIOR		RF	
10	TB10 72053100		.LABEL RPLD BY TB10 7205310200		1	OR
10A	TB10 72926139		.LABEL BRAZIL		1	OR
10B	TB10 7205310200		.LABEL RPLS TB10 72053100		1	
20	TB10 72054911		.LABEL		1	
20A	TB10 72926155		.LABEL BRAZIL		1	OR
30	TB10 72025100		.LABEL BLACK MARKING		1	
40	TB10 72025102		.LABEL WHITE MARKING		1	

- ITEM NOT ILLUSTRATED

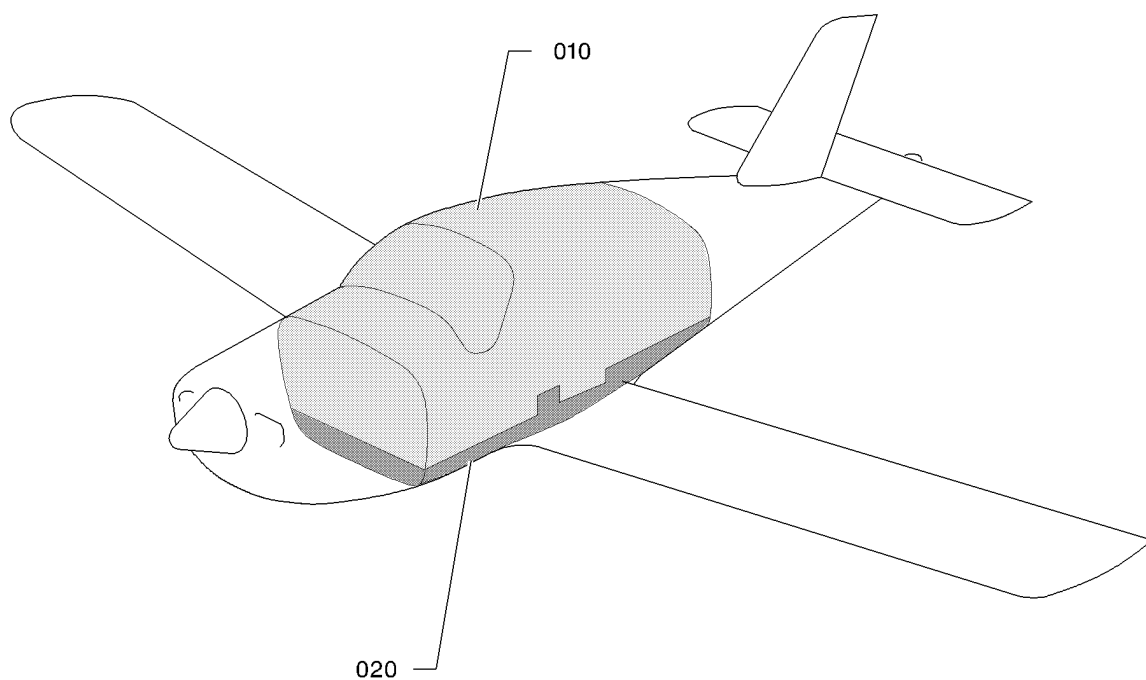
11-21-02

FIG. 1

PAGE 1 R

NOV 30/18

S/N 1 - 9999



14110000AAACWZ4300

AREA 210
FIGURE 1

11-22-00

FIG. 1
PAGE 0 R

NOV 30/18

FIG.ITEM	PART NUMBER	1234567 NOMENCLATURE	EFFECT FROM TO	UNITS PER ASSY	OBS
1 - 1 10 20	TB11-22-00-01-001 TB11-22-01-01 TB11-22-02-01	AREA 210 .EXTERIOR .INTERIOR		RF 1 1	

- ITEM NOT ILLUSTRATED

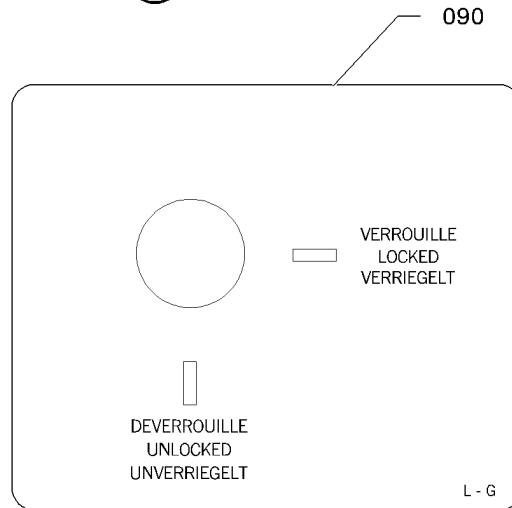
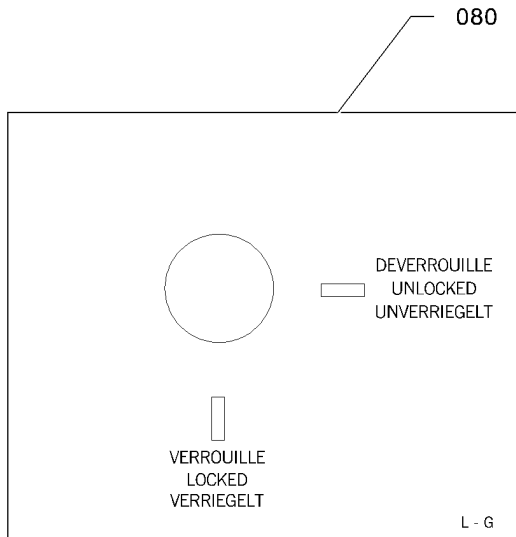
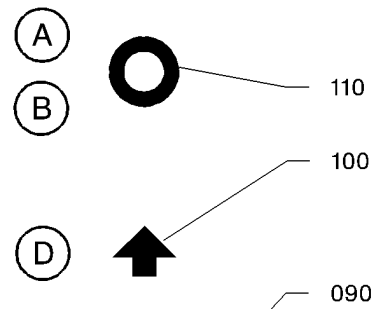
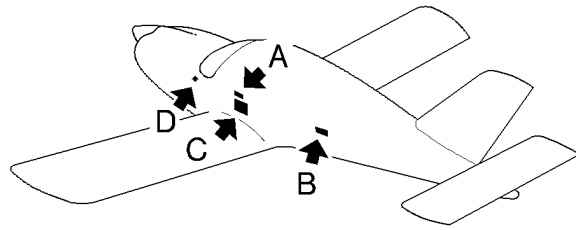
11-22-00

FIG. 1

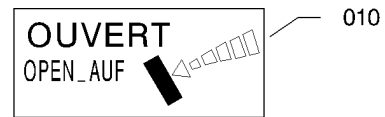
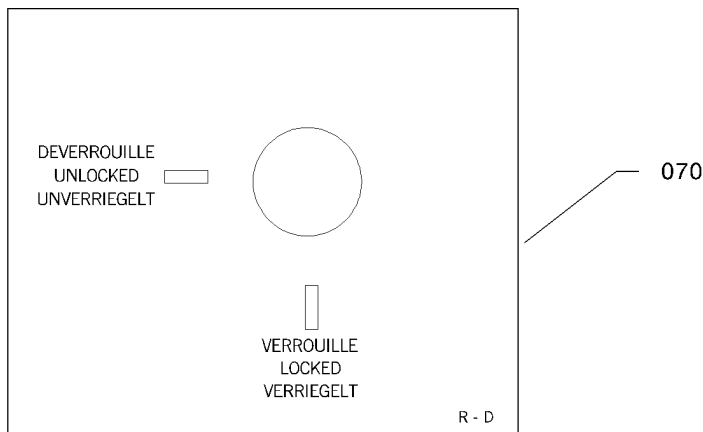
PAGE 1 R

NOV 30/18

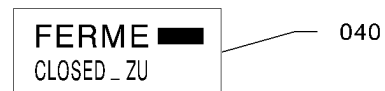
S/N 1 - 9999



(C)



(A)



(B)



14112000AAAAYZ4303

EXTERIOR
FIGURE 1

11-22-01

FIG. 1
PAGE 0 R
NOV 30/18

FIG.ITEM	PART NUMBER	NOMENCLATURE		EFFECT FROM TO	UNITS PER ASSY	OBS
		1234567 				
1 - 1	TB11-22-01-01-001		EXTERIOR		RF	
10	TB10 72500162		.LABEL RPLD BY TB10 72026104 OR TB10 72026108		1	OR
- 10A	TB10 72026108		.LABEL BLACK MARKING RPLS TB10 72500162		1	
- 10B	TB10 72026104		.LABEL WHITE MARKING RPLS TB10 72500162		1	
20	TB10 72500163		.LABEL RPLD BY TB10 72026105 OR TB10 72026109		1	OR
- 20A	TB10 72026109		.LABEL BLACK MARKING RPLS TB10 72500163		1	
- 20B	TB10 72026105		.LABEL WHITE MARKING RPLS TB10 72500163		1	
30	TB10 72500164		.LABEL RPLD BY TB10 72026106 OR TB10 72026110		1	OR
- 30A	TB10 72026110		.LABEL BLACK MARKING RPLS TB10 72500164		1	
- 30B	TB10 72026106		.LABEL WHITE MARKING RPLS TB10 72500164		1	
40	TB10 72500165		.LABEL RPLD BY TB10 72026107 OR TB10 72026111		1	OR
- 40A	TB10 72026111		.LABEL BLACK MARKING RPLS TB10 72500165		1	
- 40B	TB10 72026107		.LABEL WHITE MARKING RPLS TB10 72500165		1	
50	TB10 72049102		.LABEL BLACK MARKING		1	
- 50A	TB10 72049100		.LABEL WHITE MARKING		1	
70	TB10 72052101		.LABEL ON WHITE BACKGROUND RPLD BY TB10 72055101 OR TB10 72055103		1	OR
- 70A	TB10 72052103		.LABEL ON GREY BACKGROUND RPLD BY TB10 72055101 OR TB10 72055103		1	OR

- ITEM NOT ILLUSTRATED

11-22-01

FIG. 1

PAGE 1 R

NOV 30/18

FIG. ITEM	PART NUMBER	1234567 	NOMENCLATURE	EFFECT FROM TO	UNITS PER ASSY	OBS
1 - 70B	TB10 72055101		. LABEL ON TRANSPARENT BACKGROUND BLACK MARKING RPLS TB10 72052101 OR TB10 72052103		1	
- 70C	TB10 72055103		. LABEL ON TRANSPARENT BACKGROUND WHITE MARKING RPLS TB10 72052101 OR TB10 72052103		1	
80	TB10 72052100		. LABEL ON WHITE BACKGROUND LABEL DEPENDING ON THE WAY THE LOCK OPERATES RPLD BY TB10 72055100 OR TB10 72055102		1	OR
- 80A	TB10 72052102		. LABEL ON GREY BACKGROUND LABEL DEPENDING ON THE WAY THE LOCK OPERATES RPLD BY TB10 72055100 OR TB10 72055102		1	OR
- 80B	TB10 72055100		. LABEL ON TRANSPARENT BACKGROUND BLACK MARKING LABEL DEPENDING ON THE WAY THE LOCK OPERATES RPLS TB10 72052100 OR TB10 72052102		1	
- 80C	TB10 72055102		. LABEL ON TRANSPARENT BACKGROUND WHITE MARKING LABEL DEPENDING ON THE WAY THE LOCK OPERATES RPLS TB10 72052100 OR TB10 72052102		1	
90	TB10 72052105		. LABEL ON WHITE BACKGROUND LABEL DEPENDING ON THE WAY THE LOCK OPERATES RPLD BY TB10 72055105 OR TB10 72055106		1	OR
- 90A	TB10 72052106		. LABEL ON GREY BACKGROUND LABEL DEPENDING ON THE WAY THE LOCK OPERATES RPLD BY TB10 72055105 OR TB10 72055106		1	OR
- 90B	TB10 72055105		. LABEL ON TRANSPARENT BACKGROUND BLACK MARKING LABEL DEPENDING ON THE WAY THE LOCK OPERATES RPLS TB10 72052105 OR TB10 72052106		1	

- ITEM NOT ILLUSTRATED

11-22-01

FIG. 1

PAGE 2 R

NOV 30/18

FIG.ITEM	PART NUMBER	1234567 	NOMENCLATURE	EFFECT FROM TO	UNITS PER ASSY	OBS
1 - 90C	TB10 72055106		.LABEL ON TRANSPARENT BACKGROUND WHITE MARKING LABEL DEPENDING ON THE WAY THE LOCK OPERATES RPLS TB10 72052105 OR TB10 72052106		1	
100	TB10 72059100		.LABEL		2	
110	7743263100		.LABEL		3	

- ITEM NOT ILLUSTRATED

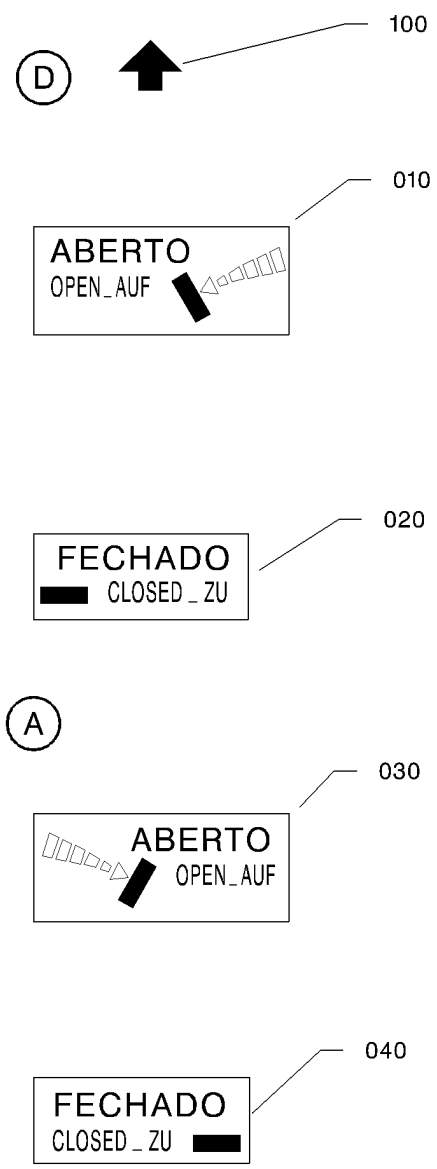
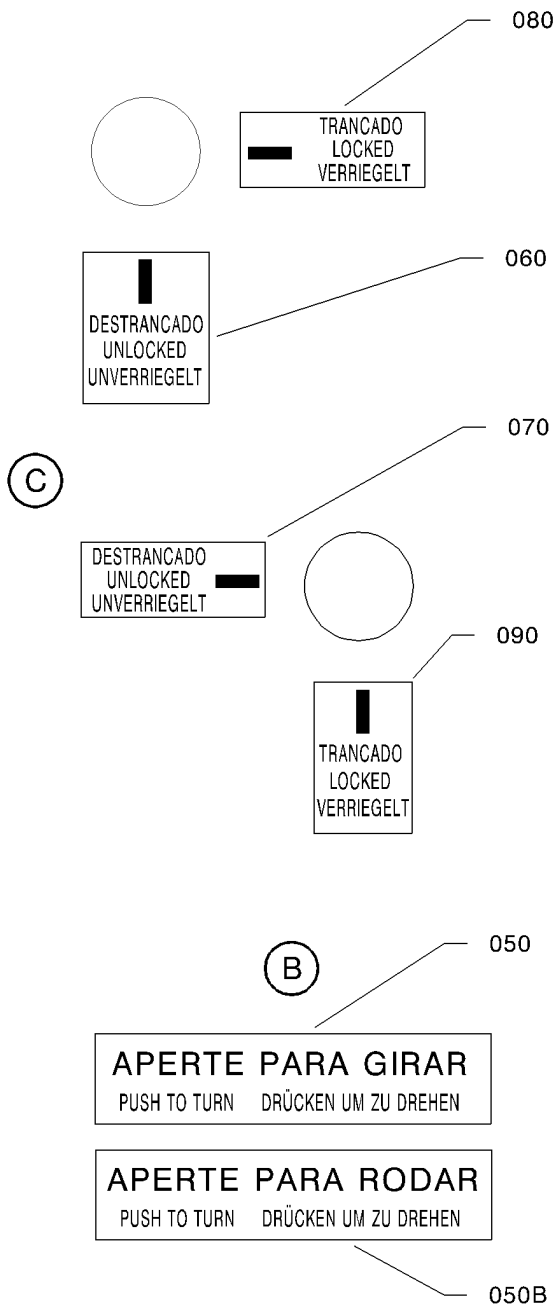
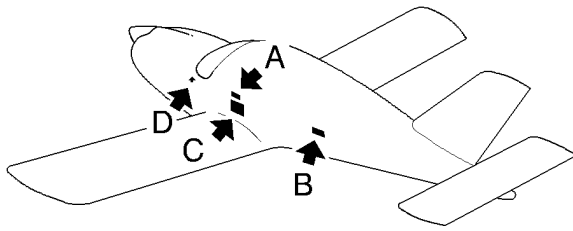
11-22-01

FIG. 1

PAGE 3 R

NOV 30/18

S/N 1 - 9999



I1112000AAAAYZ1502

EXTERIOR
FIGURE 1A

11-22-01

FIG. 1A

PAGE 0 R

NOV 30/18

FIG.ITEM	PART NUMBER	NOMENCLATURE	EFFECT FROM TO	UNITS PER ASSY	OBS
1A- 1	TB11-22-01-01A-001	EXTERIOR		RF	
10	TB10 7292613800	.LABEL SCOTCHCALL		1	
- 10A	TB10 7292612900	.LABEL POLYCARBONATE		1	
20	TB10 7292613600	.LABEL SCOTCHCALL		1	
- 20A	TB10 7292612700	.LABEL POLYCARBONATE		1	
30	TB10 7292613700	.LABEL SCOTCHCALL		1	
- 30A	TB10 7292612800	.LABEL POLYCARBONATE		1	
40	TB10 7292613500	.LABEL SCOTCHCALL		1	
- 40A	TB10 7292612600	.LABEL POLYCARBONATE		1	
50	TB10 72926142	.LABEL BLACK MARKING RPLD BY TB10 7292615800		1	NP
- 50A	TB10 72926143	.LABEL WHITE MARKING RPLD BY TB10 7292615900		1	NP
50B	TB10 7292615800	.LABEL BLACK MARKING RPLS TB10 72926142		1	
- 50C	TB10 7292615900	.LABEL WHITE MARKING RPLS TB10 72926143		1	
60	TB10 72926131	.LABEL		1	OR
70	TB10 72926132	.LABEL		1	OR
80	TB10 72926133	.LABEL		1	OR
90	TB10 72926134	.LABEL		1	OR
100	TB10 72059100	.LABEL		2	

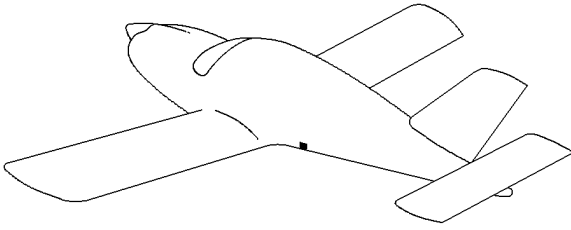
- ITEM NOT ILLUSTRATED

11-22-01

FIG. 1A

PAGE 1 R

NOV 30/18



010

PRISE DE PARC
14 volts CC
COUPER L'INTERRUPTEUR
GENERAL AVANT DE
METTRE OU DE RETIRER
LA PRISE

040

PRISE DE PARC
28 volts CC
COUPER L'INTERRUPTEUR
GENERAL AVANT DE
METTRE OU DE RETIRER
LA PRISE

020

EXTERNAL POWER
14 volts DC
TURN MASTER SWITCH
OFF BEFORE INSERTING
OR REMOVING PLUG

050

EXTERNAL POWER
28 volts DC
TURN MASTER SWITCH
OFF BEFORE INSERTING
OR REMOVING PLUG

030

AUSSENBORDANSCHLUSS
14 volts GLEICHSPANNUNG
DEN HAUPTSCHALTER
AUSSCHALTEN, BEVOR SIE
DEN STECKER EINSTECKEN
ODER HERAUSZIEHEN

060

AUSSENBORDANSCHLUSS
28 volts GLEICHSPANNUNG
DEN HAUPTSCHALTER
AUSSCHALTEN, BEVOR SIE
DEN STECKER EINSTECKEN
ODER HERAUSZIEHEN

080

070

TOMADA EXTERNA
28 volts CC
DESLIGUE A CHAVE GERAL
ANTES DE COLOCAR OU
RETIRAR A TOMADA

I4112000AAAWZ4301

EXTERIOR
FIGURE 2

11-22-01

FIG. 2

PAGE 0 R

NOV 30/18

FIG.ITEM	PART NUMBER	NOMENCLATURE		EFFECT FROM TO	UNITS PER ASSY	OBS
		1234567 				
2 - 1	TB11-22-01-02-001		EXTERIOR		RF	
10	TB10 72902100		.LABEL S/N 1 - 822, 850 - 887, 889 - 947, FRENCH		1	
20	TB10 72902101		.LABEL S/N 1 - 822, 850 - 887, 889 - 947, ENGLISH-SPEAKING COUNTRIES		1	
30	TB10 72902102		.LABEL S/N 1 - 822, 850 - 887, 889 - 947, GERMAN		1	
40	TB20 72811100		.LABEL S/N 823 - 849, 888, 948 - 9999, FRENCH		1	
50	TB20 72811101		.LABEL S/N 823 - 849, 888, 948 - 9999, ENGLISH-SPEAKING COUNTRIES		1	
60	TB20 72811102		.LABEL S/N 823 - 849, 888, 948 - 9999, GERMAN		1	
70	TB10 72926141		.LABEL S/N 823 - 849, 888, 948 - 9999, BRAZIL		1	OR
80	TB20 21801100		.LABEL S/N 1789 - 9999		1	

- ITEM NOT ILLUSTRATED

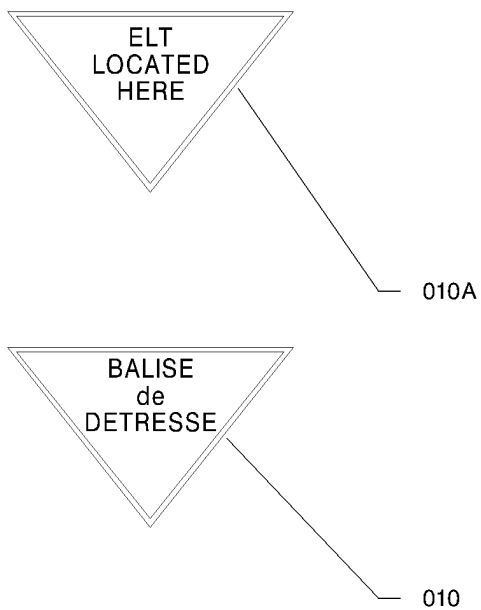
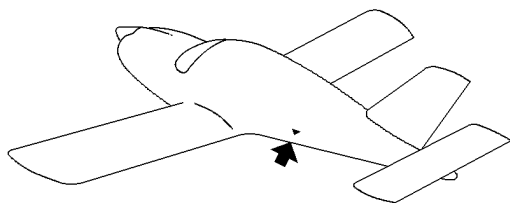
11-22-01

FIG. 2

PAGE 1 R

NOV 30/18

GROUND POWER RECEPTACLE



14112001AAAACWZ4401

EXTERIOR
FIGURE 3

11-22-01

FIG. 3
PAGE 0 R
NOV 30/18

FIG.ITEM	PART NUMBER	NOMENCLATURE	EFFECT FROM TO	UNITS PER ASSY	OBS
3 - 1	TB11-22-01-03-001	1234567 EXTERIOR		RF	
10	TB20 72819100	.LABEL		1	
		FRENCH			
10A	TB20 72819100	.LABEL		1	
		ENGLISH-SPEAKING COUNTRIES			

- ITEM NOT ILLUSTRATED

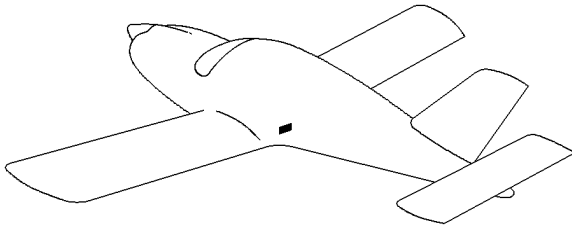
11-22-01

FIG. 3

PAGE 1 R

NOV 30/18

ELT



RELAIS
- RENTRER -

010

RELAIS
- SORTIR -

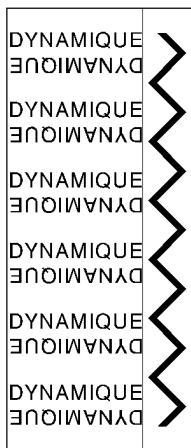
020

UP
RELAY

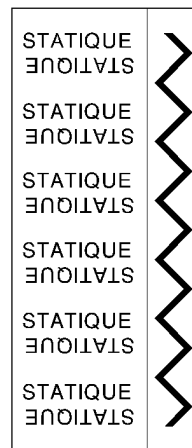
030

DOWN
RELAY

040



050



060

I4112000AAAHYZ4301

INTERIOR
FIGURE 1

11-22-02

FIG. 1

PAGE 0 R

NOV 30/18

FIG.ITEM	PART NUMBER	1234567 	NOMENCLATURE	EFFECT FROM TO	UNITS PER ASSY	OBS
1 - 1	TF11-22-02-01-001		INTERIOR		RF	
10	TB20 72008100		.LABEL OPTION FOR 14V, STD FOR 28V		1	
20	TB20 72008101		.LABEL OPTION FOR 14V, STD FOR 28V		1	
30	TB20 72215100		.LABEL OPTION FOR 14V, STD FOR 28V		1	
40	TB20 72215101		.LABEL OPTION FOR 14V, STD FOR 28V		1	
50	7131790170		.CARD (QTY 10) VF0331 OPT TO L40-200 STATIQUE MADE BY VF0331		AR	
60	7131790170		.CARD (QTY 10) VF0331 OPT TO L40-200 STATIQUE MADE BY VF0331		AR	

- ITEM NOT ILLUSTRATED

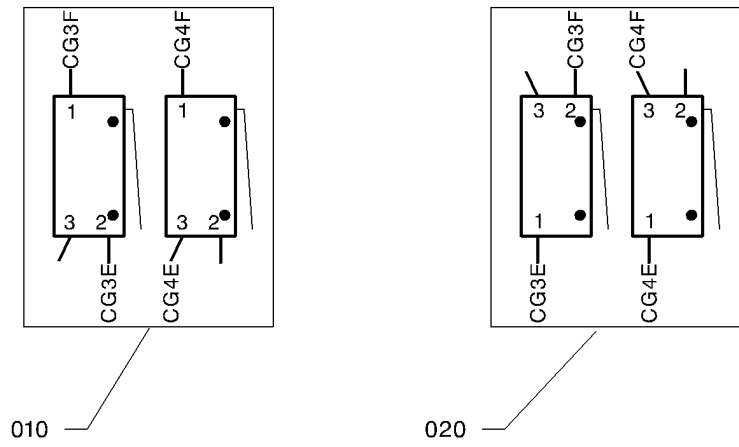
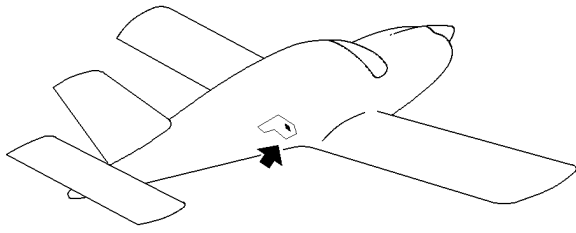
11-22-02

FIG. 1

PAGE 1 R

NOV 30/18

S/N 1 - 9999



14112200AA CYZ4300

INTERIOR
FIGURE 2

OPTION

11-22-02

FIG. 2

PAGE 0 R

NOV 30/18

FIG.ITEM	PART NUMBER	NOMENCLATURE	EFFECT FROM TO	UNITS PER ASSY	OBS
2 - 1 10	TF11-22-02-02-001 TB10 72922100	1234567 INTERIOR .LABEL S/N 1 - 728 WITH FLAPS PRESELECTION		RF 1	
20	TB10 72922101	.LABEL S/N 1 - 728 FLAPS PRESELECTION		1	

- ITEM NOT ILLUSTRATED

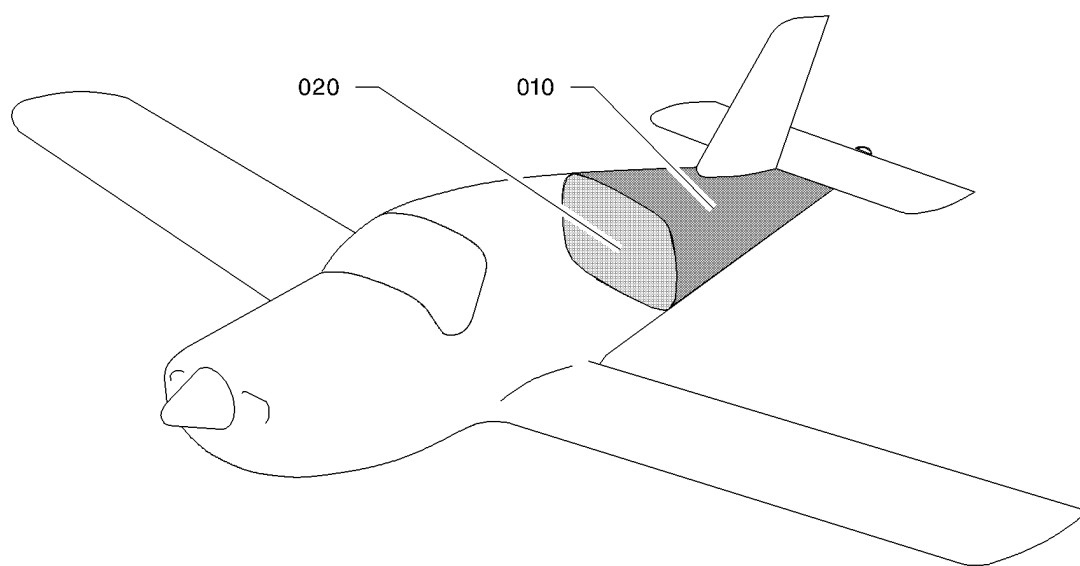
11-22-02

FIG. 2

PAGE 1 R

NOV 30/18

OPTION



I411000AAABWZ4500

AREA 220
FIGURE 1

FIG.ITEM	PART NUMBER	NOMENCLATURE	EFFECT FROM TO	UNITS PER ASSY	OBS
1 - 1 10 20	TB11-23-00-01-001 TB11-23-01-01 TB11-23-02-01	<div style="text-align: center;"> 1234567 </div> AREA 220 .EXTERIOR .INTERIOR		RF 1 1	

- ITEM NOT ILLUSTRATED

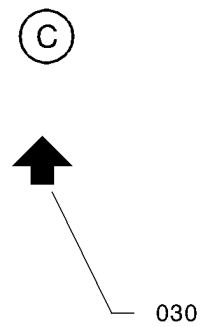
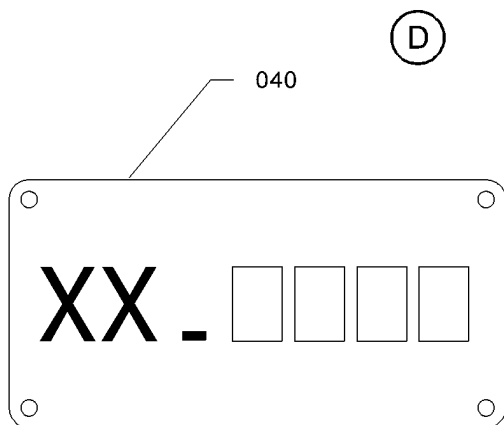
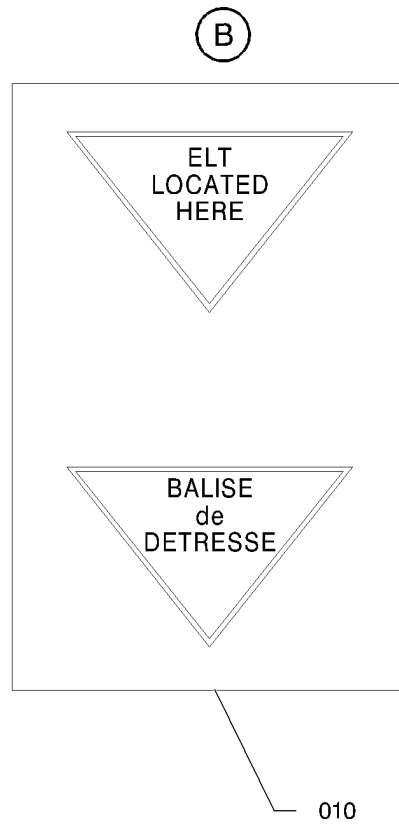
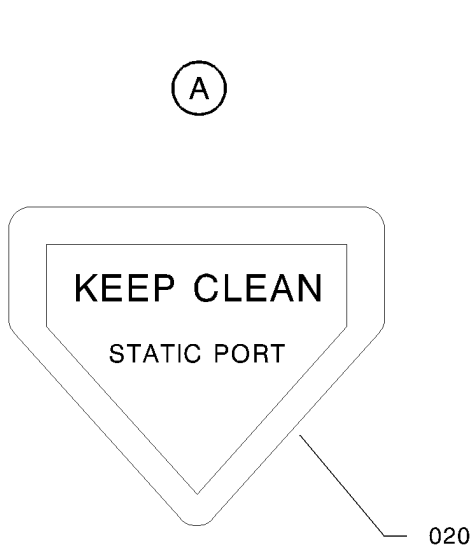
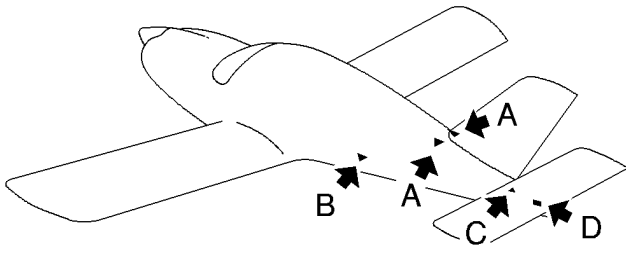
11-23-00

FIG. 1

PAGE 1 R

NOV 30/18

S/N 1 - 9999



EXTERIOR
FIGURE 1

11-23-01

FIG. 1

PAGE 0 R

NOV 30/18

FIG.ITEM	PART NUMBER	NOMENCLATURE	EFFECT FROM TO	UNITS PER ASSY	OBS
1 - 1	TB11-23-01-01-001	EXTERIOR		RF	
10	TB20 72819100	.LABEL ELT		1	
20	TB20 72819102	.LABEL STATIC PORT		2	
30	TB10 72059100	.LABEL		2	
40	TB10 72008100	.PLACARD OPTION		1	

- ITEM NOT ILLUSTRATED

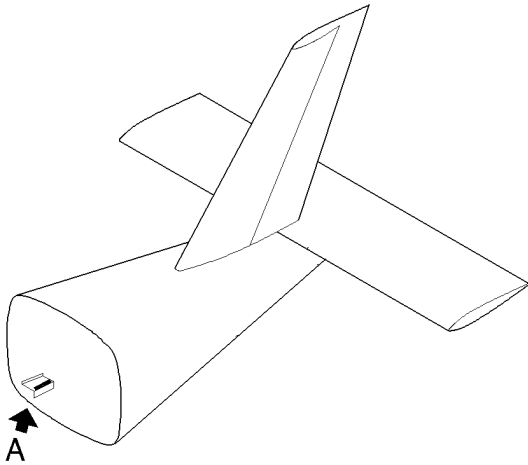
11-23-01

FIG. 1

PAGE 1 R

NOV 30/18

S/N 1 - 9999



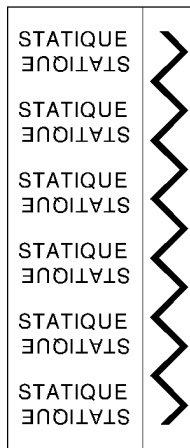
(A)

RIGHT PWR

010

LEFT PWR

020



030

I4112300AAAYZ4300

INTERIOR
FIGURE 1

11-23-02

FIG. 1

PAGE 0 R

NOV 30/18

FIG.ITEM	PART NUMBER	1234567 	NOMENCLATURE	EFFECT FROM TO	UNITS PER ASSY	OBS
1 - 1	TF11-23-02-01-001		INTERIOR		RF	
10	TB20 72808101		.LABEL ANTICOLLISION LIGHTS OPTION		1	
20	TB20 72808100		.LABEL ANTICOLLISION LIGHTS OPTION		1	
30	7131790170		.CARD (QTY 10) VF0331 OPT TO L40-200 STATIQUE MADE BY VF0331		AR	

- ITEM NOT ILLUSTRATED

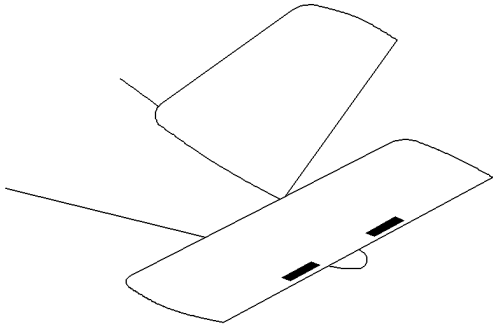
11-23-02

FIG. 1

PAGE 1 R

NOV 30/18

S/N 1 - 9999



010

NÃO EMPURRE

I4112001AAAAGWZ14300

AREA 300
FIGURE 1

OPTION

11-24-00

FIG. 1

PAGE 0 R

NOV 30/18

FIG.ITEM	PART NUMBER	NOMENCLATURE	EFFECT FROM TO	UNITS PER ASSY	OBS
1 - 1 10	TF11-24-00-01-001 TB10 72927100	<div style="text-align: center;"> 1234567 </div> AREA 300 .LABEL BRAZIL		RF 2	OR

- ITEM NOT ILLUSTRATED

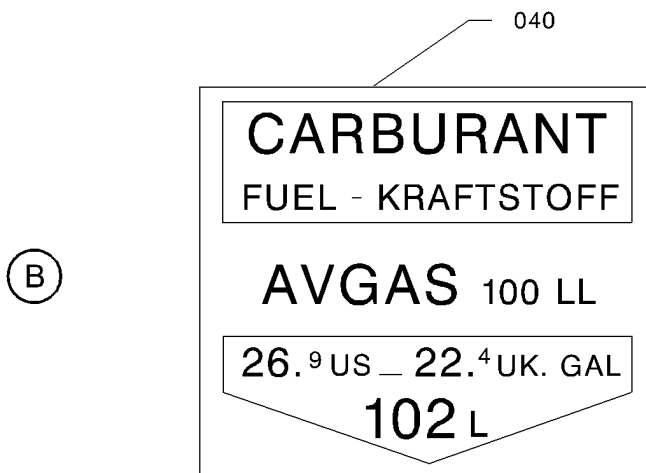
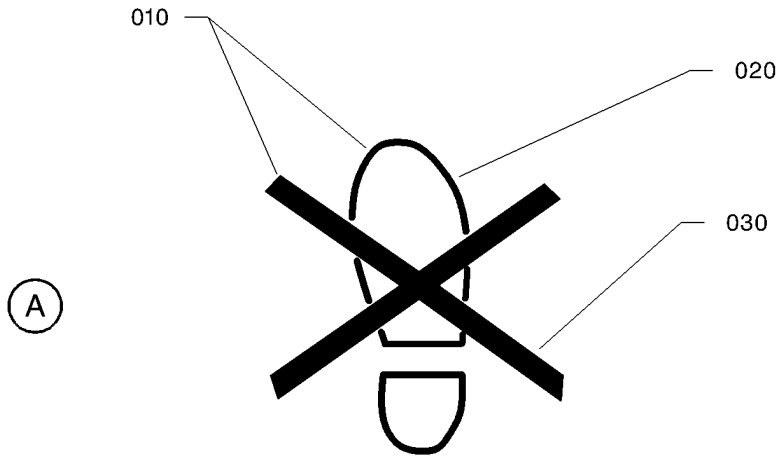
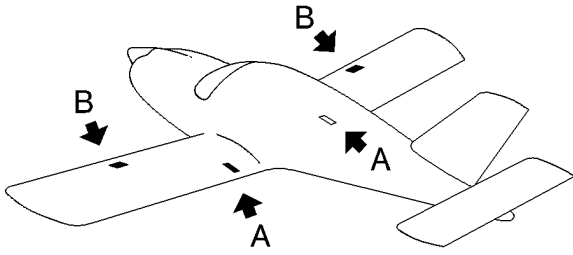
11-24-00

FIG. 1

PAGE 1 R

NOV 30/18

OPTION



I4112500AAA-AWZ4400

AREAS 500/600
FIGURE 1

S/N 1 - 764, 766 - 878, WITH FUEL TANKS 26.9 U.S. GAL (102 L)

11-25-00

FIG. 1
PAGE 0 R
NOV 30/18

FIG.ITEM	PART NUMBER	NOMENCLATURE		EFFECT FROM TO	UNITS PER ASSY	OBS
		1234567 				
1 - 1	TF11-25-00-01-001		AREAS 500/600		RF	
10	TB10 72500114		.LABEL RPLD BY 7063651203 AND 7063651207		2	NP
20	7063651207		.LABEL VF7828 OPT TO MARCHE PIED NOIR MADE BY VF7828 RPLS TB10 72500114		2	
30	7063651203		.LABEL VF7828 OPT TO MARCHE PIED ROUGE MADE BY VF7828 RPLS TB10 72500114		2	
40	TB10 72500168		.LABEL RPLD BY TB10 72022104 OR TB10 72022107		2	NP
- 40A	TB10 72022104		.LABEL BLACK MARKING RPLS TB10 72500168		2	
- 40B	TB10 72022107		.LABEL WHITE MARKING RPLS TB10 72500168		2	

- ITEM NOT ILLUSTRATED

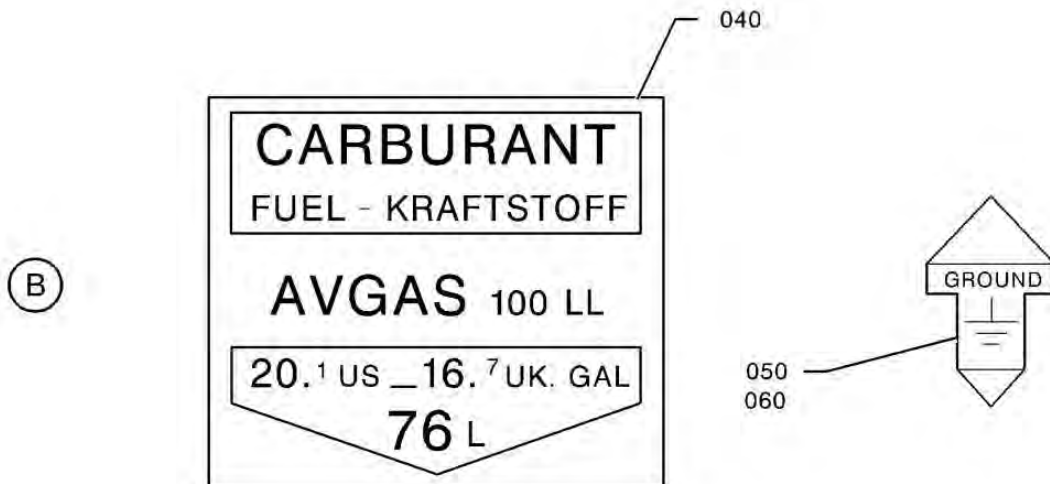
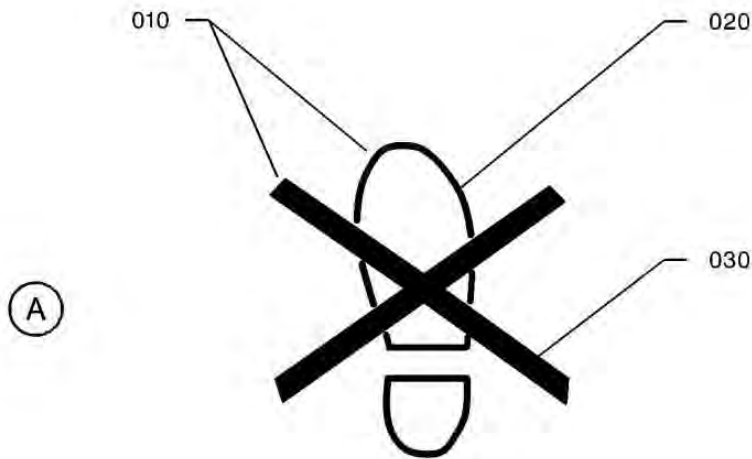
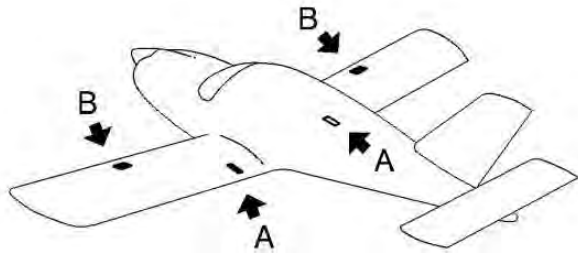
11-25-00

FIG. 1

PAGE 1 R

NOV 30/18

S/N 1 - 764, 766 - 878, WITH FUEL TANKS 26.9 U.S. GAL (102 L)



14112500AAA4WZ4301

AREAS 500/600
FIGURE 1A

11-25-00

FIG. 1A

PAGE 0 R

NOV 30/18

FIG. ITEM	PART NUMBER	NOMENCLATURE		EFFECT FROM TO	UNITS PER ASSY	OBS
		1234567 				
1A- 1	TF11-25-00-01A-001		AREAS 500/600		RF	
10	TB10 72500114		.LABEL RPLD BY 7063651203 AND 7063651207		2	NP
20	7063651207		.LABEL VF7828 OPT TO MARCHE PIED NOIR MADE BY VF7828 RPLS TB10 72500114		2	
30	7063651203		.LABEL VF7828 OPT TO MARCHE PIED ROUGE MADE BY VF7828 RPLS TB10 72500114		2	
40	TB10 72500167		.LABEL RPLD BY TB10 72022105 OR TB10 72022108		2	NP
- 40A	TB10 72022105		.LABEL BLACK MARKING RPLS TB10 72500167		2	
- 40B	TB10 72022108		.LABEL WHITE MARKING RPLS TB10 72500167		2	
50	TB10 72934102		.LABEL POST-MOD. 151 WHITE MARKING		AR	
60	TB10 72934103		.LABEL POST-MOD. 151 BLACK MARKING		AR	

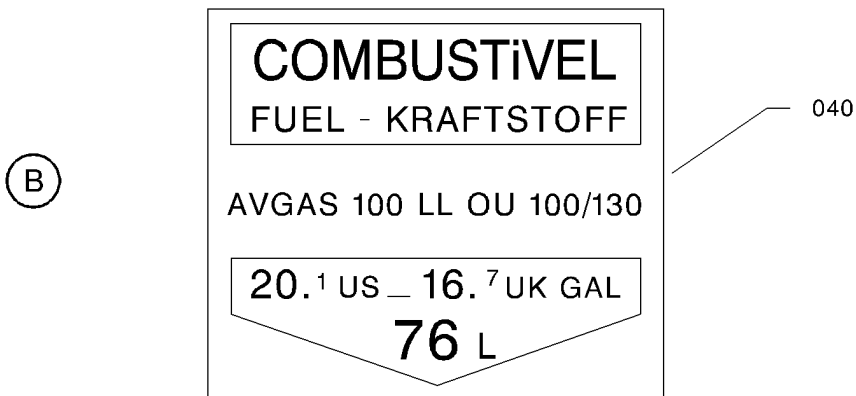
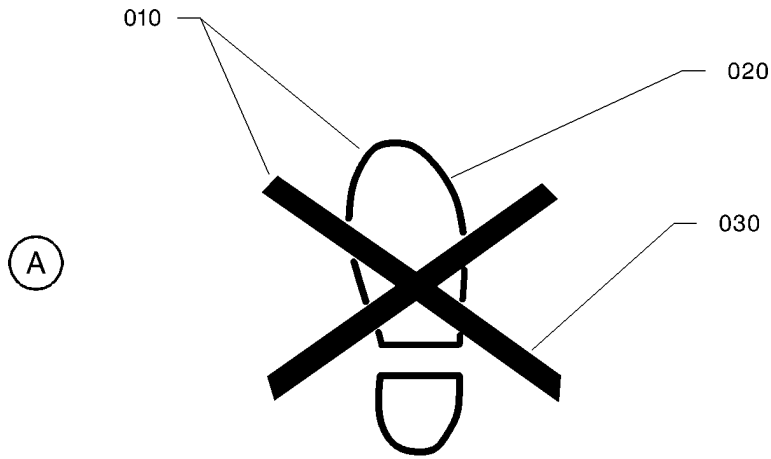
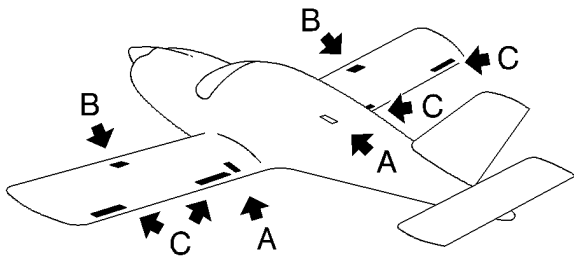
- ITEM NOT ILLUSTRATED

11-25-00

FIG. 1A

PAGE 1 R

NOV 30/18



I4112500AAA/WZ14300

AREAS 500/600
FIGURE 1B

11-25-00

FIG. 1B

PAGE 0 R

NOV 30/18

FIG.ITEM	PART NUMBER	1234567 	NOMENCLATURE	EFFECT FROM TO	UNITS PER ASSY	OBS
1B- 1	TF11-25-00-01B-001		AREAS 500/600		RF	
10	TB10 72500114		.LABEL RPLD BY 7063651203 AND 7063651207		2	NP
20	7063651207		.LABEL VF7828 OPT TO MARCHE PIED NOIR MADE BY VF7828		2	
30	7063651203		RPLS TB10 72500114 .LABEL VF7828 OPT TO MARCHE PIED ROUGE MADE BY VF7828		2	
40	TB09 72925154		.LABEL		2	OR
50	TB10 72927100		.LABEL		4	OR

- ITEM NOT ILLUSTRATED

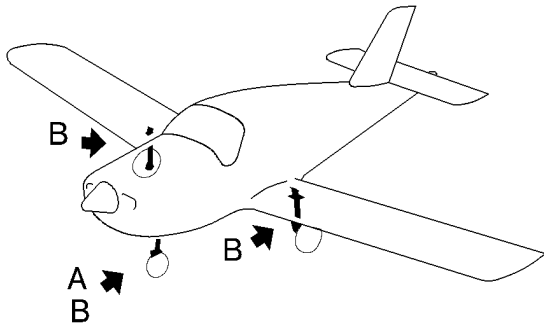
11-25-00

FIG. 1B

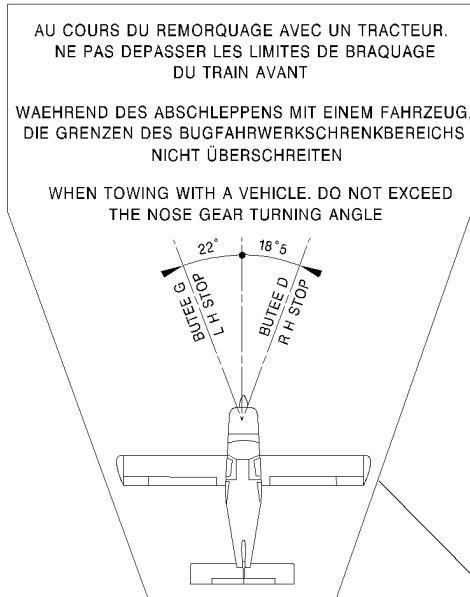
PAGE 1 R

NOV 30/18

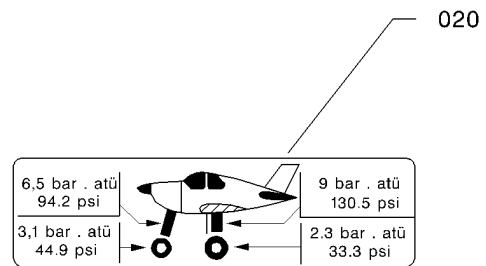
BRAZIL, WITH FUEL TANKS 20.1 U.S. GAL (76 L)



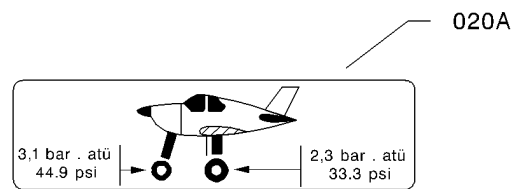
(A)



010



(B)



I4112000AAAADUZ4301

AREA 700
FIGURE 1

11-26-00

FIG. 1

PAGE 0 R

NOV 30/18

FIG.ITEM	PART NUMBER	1234567 	NOMENCLATURE	EFFECT FROM TO	UNITS PER ASSY	OBS
1 - 1	TF11-26-00-01-001		AREA 700		RF	
10	TB10 72057100		.LABEL		1	
20	TB10 72021100		.LABEL		3	NP
			S/N 1 - 1299			
			RPLD BY TB10 72063100			
20A	TB10 72063100		.LABEL		3	
			RPLS TB10 72062100 AND TB10 72021100			

- ITEM NOT ILLUSTRATED

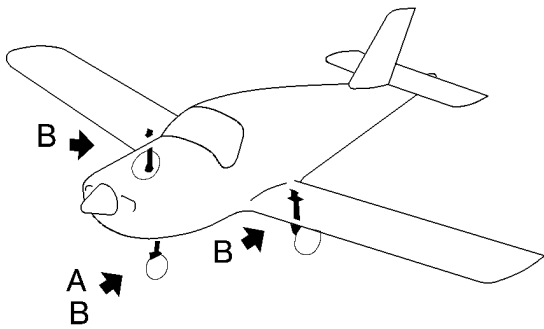
11-26-00

FIG. 1

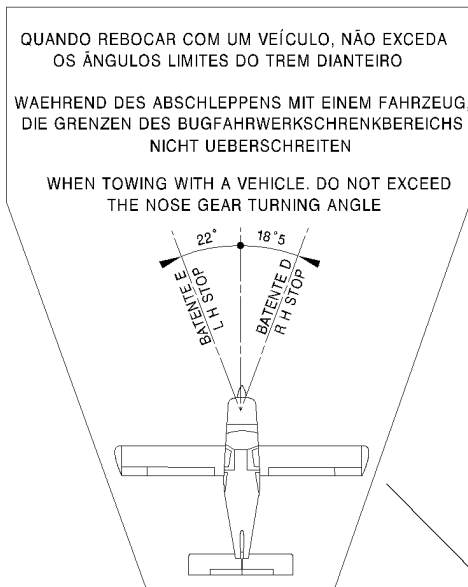
PAGE 1 R

NOV 30/18

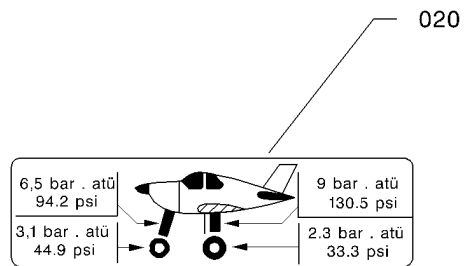
S/N 1 - 9999 WITH TELESCOPIC LEG MLG



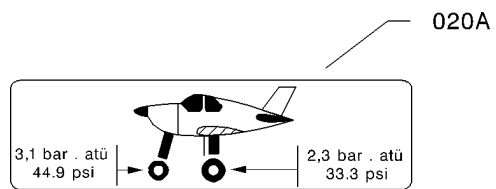
(A)



010



(B)



I4112000AAADUZ4401

AREA 700
FIGURE 1A

11-26-00

FIG. 1A

PAGE 0 R

NOV 30/18

FIG.ITEM	PART NUMBER	1234567 	NOMENCLATURE	EFFECT FROM TO	UNITS PER ASSY	OBS
1A- 1	TF11-26-00-01A-001		AREA 700		RF	
10	TB10 72926153		.LABEL		1	OR
20	TB10 72021100		.LABEL		3	NP
			S/N 1 - 1299			
			RPLD BY TB10 72063100			
20A	TB10 72063100		.LABEL		3	
			RPLS TB10 72062100 AND TB10 72021100			

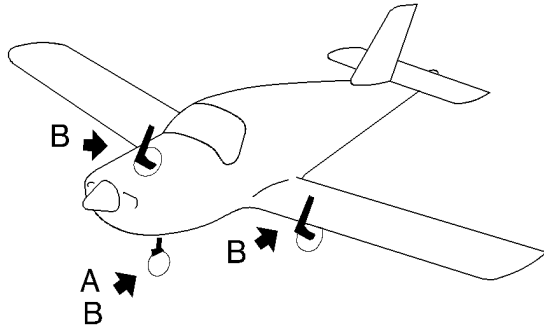
- ITEM NOT ILLUSTRATED

11-26-00

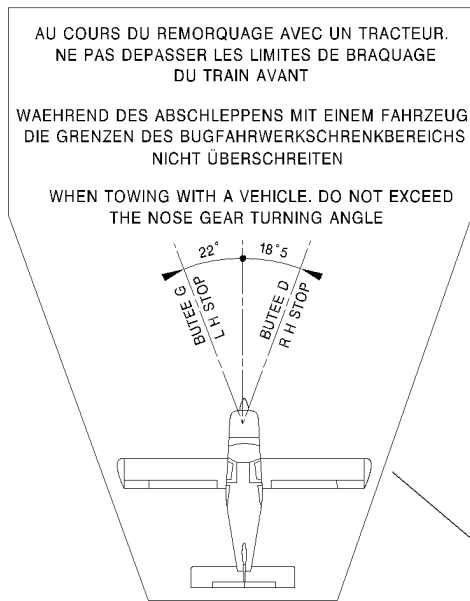
FIG. 1A

PAGE 1 R

NOV 30/18

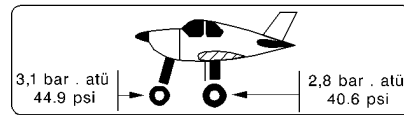


(A)



010

(B)



020

14112000AAADUZ4501

AREA 700
FIGURE 1B

11-26-00

FIG. 1B

PAGE 0 R

NOV 30/18

FIG.ITEM	PART NUMBER	1234567 NOMENCLATURE	EFFECT FROM TO	UNITS PER ASSY	OBS
1B- 1 10 20	TF11-26-00-01B-001 TB10 72057100 TB10 7206310400	AREA 700 .LABEL .LABEL		RF 1 3	

- ITEM NOT ILLUSTRATED

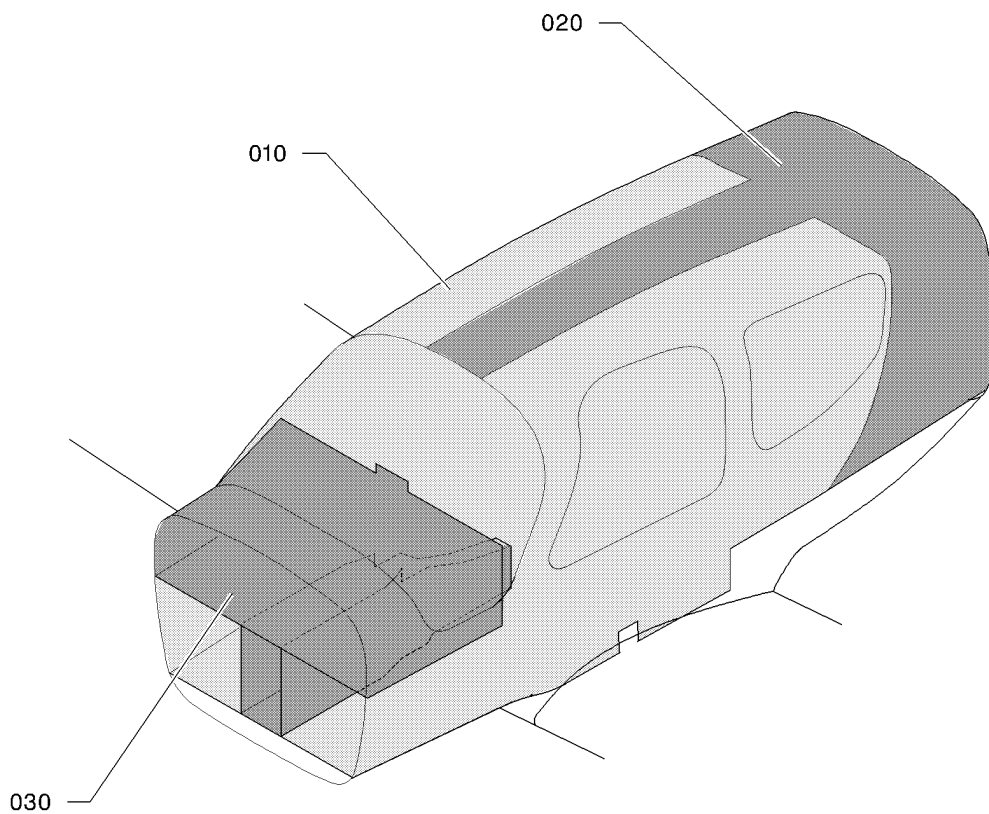
11-26-00

FIG. 1B

PAGE 1 R

NOV 30/18

S/N 1 - 9999 WITH TRAILING ARM MLG



I4110000AACWZ4400

INTERIOR PLACARDS AND MARKINGS
FIGURE 1

FIG.ITEM	PART NUMBER	NOMENCLATURE	EFFECT FROM TO	UNITS PER ASSY	OBS
1 - 1 10 20 30	TB11-30-00-01-001 TB11-31-00-01 TB11-32-00-01 TB11-33-00-01	1234567 INTERIOR PLACARDS AND MARKINGS .AREA 230 .AREA 240 .AREA 250		RF 1 1 1	

- ITEM NOT ILLUSTRATED

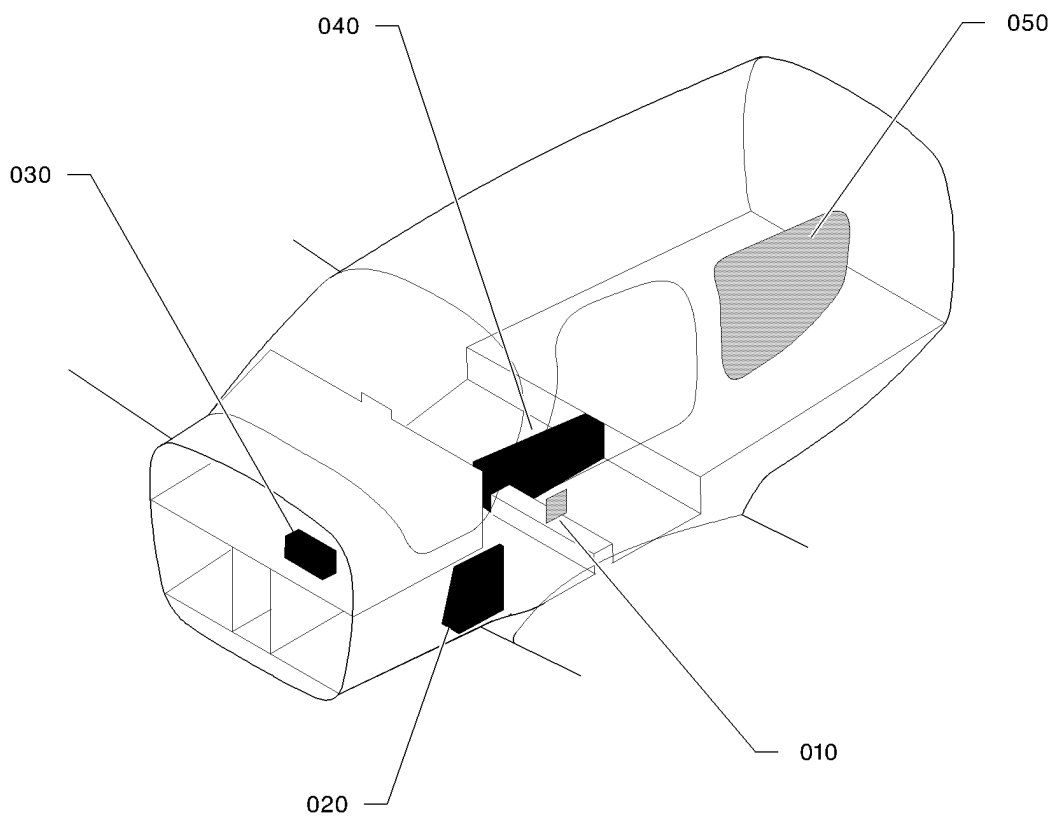
11-30-00

FIG. 1

PAGE 1 R

NOV 30/18

S/N 1 - 9999



I411000AAACWZ14800

AREA 230
FIGURE 1

11-31-00
FIG. 1
PAGE 0 R
NOV 30/18

FIG.ITEM	PART NUMBER	NOMENCLATURE		EFFECT FROM TO	UNITS PER ASSY	OBS
		1234567 				
1 - 1	TB11-31-00-01-001		AREA 230		RF	
10	TB11-31-01-01		.DOORS		1	
20	TB11-31-02-01		.CIRCUIT-BREAKER PANEL		1	
30	TB11-31-03-01		.FUSE BOX		1	
40	TB11-31-04-01		.DUCT		1	
50	TB11-31-05-01		.MISCELLANEOUS		1	

- ITEM NOT ILLUSTRATED

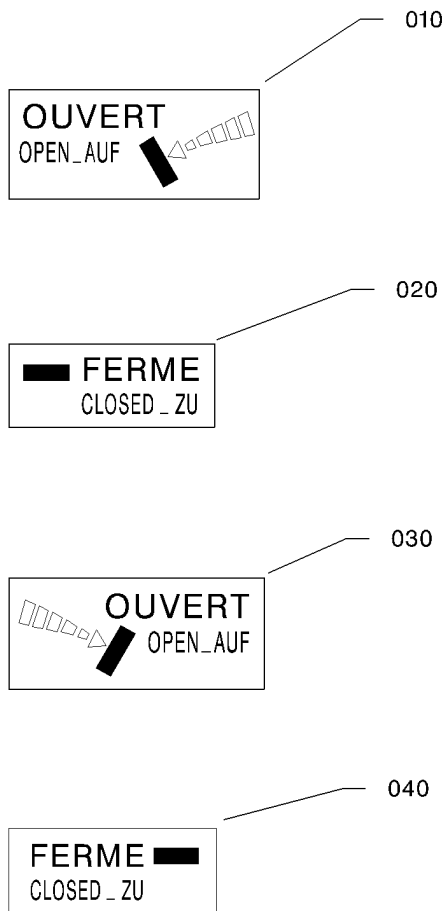
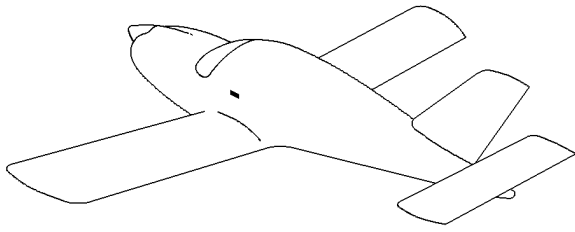
11-31-00

FIG. 1

PAGE 1 R

NOV 30/18

S/N 1 - 9999



I4112000AAAYZ14301

DOORS
FIGURE 1

11-31-01

FIG. 1
PAGE 0 R

NOV 30/18

FIG.ITEM	PART NUMBER	NOMENCLATURE		EFFECT FROM TO	UNITS PER ASSY	OBS
		1234567 				
1 - 1	TB11-31-01-01-001		DOORS		RF	
10	TB10 72500162		.LABEL RPLD BY TB10 72026102		1	OR
- 10A	TB10 72026102		.LABEL RPLS TB10 72500162		1	
20	TB10 72500163		.LABEL RPLD BY TB10 72026103		1	OR
- 20A	TB10 72026103		.LABEL RPLS TB10 72500163		1	
30	TB10 72500164		.LABEL RPLD BY TB10 72026100		1	OR
- 30A	TB10 72026100		.LABEL RPLS TB10 72500164		1	
40	TB10 72500165		.LABEL RPLD BY TB10 72026101		1	OR
- 40A	TB10 72026101		.LABEL RPLS TB10 72500165		1	

- ITEM NOT ILLUSTRATED

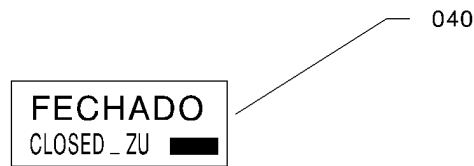
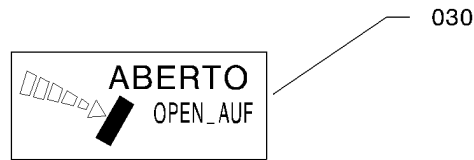
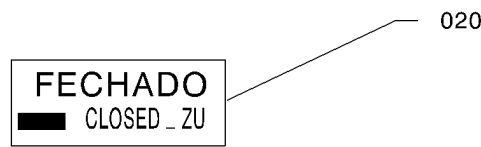
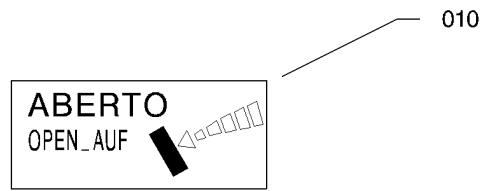
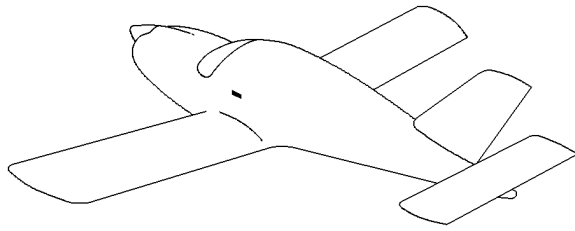
11-31-01

FIG. 1

PAGE 1 R

NOV 30/18

S/N 1 - 9999



14112000AAAAYZ14401

DOORS
FIGURE 1A

11-31-01

FIG. 1A
PAGE 0 R

NOV 30/18

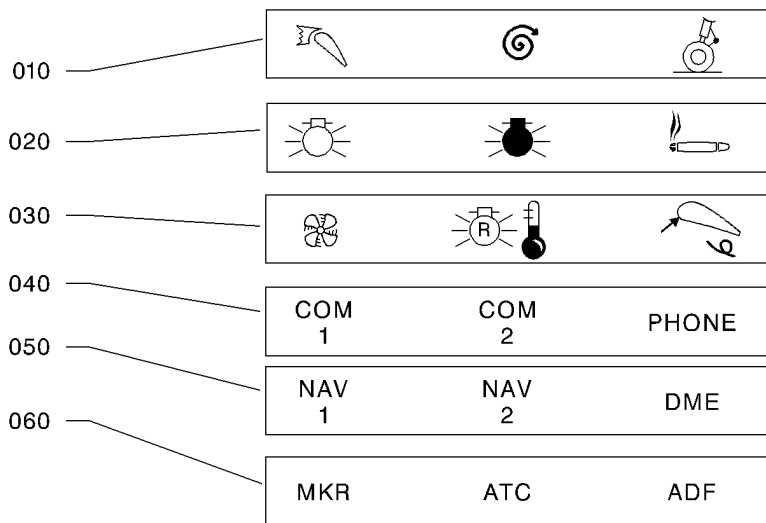
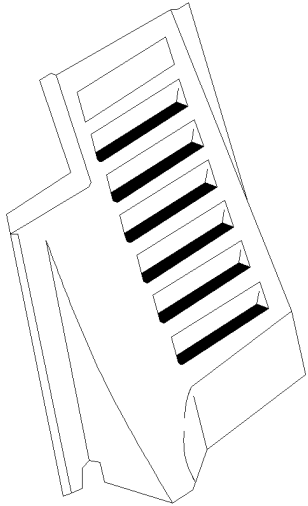
FIG.ITEM	PART NUMBER	1234567 							NOMENCLATURE	EFFECT FROM TO	UNITS PER ASSY	OBS
1A- 1	TB11-31-01-01A-001								DOORS		RF	
10	TB10 72926138								.LABEL		1	OR
20	TB10 72926136								.LABEL		1	OR
30	TB10 72926137								.LABEL		1	OR
40	TB10 72926135								.LABEL		1	OR

- ITEM NOT ILLUSTRATED

11-31-01

FIG. 1A
PAGE 1 R

NOV 30/18



I4113005AAA DUZ4301

CIRCUIT-BREAKER PANEL
FIGURE 1

11-31-02

FIG. 1
PAGE 0 R

NOV 30/18

FIG.ITEM	PART NUMBER	1234567 	NOMENCLATURE	EFFECT FROM TO	UNITS PER ASSY	OBS
1 - 1	TF11-31-02-01-001		CIRCUIT-BREAKER PANEL		RF	
10	TB10 72017101		.LABEL NOT VALID FOR ENGLISH-SPEAKING COUNTRIES		1	
20	TB10 72017102		.LABEL NOT VALID FOR ENGLISH-SPEAKING COUNTRIES		1	
30	TB10 72017103		.LABEL NOT VALID FOR ENGLISH-SPEAKING COUNTRIES		1	
40	TB10 72017104		.LABEL ENGLISH-SPEAKING COUNTRIES		1	
50	TB10 72017105		.LABEL ENGLISH-SPEAKING COUNTRIES		1	
60	TB10 72017106		.LABEL ENGLISH-SPEAKING COUNTRIES		1	

- ITEM NOT ILLUSTRATED

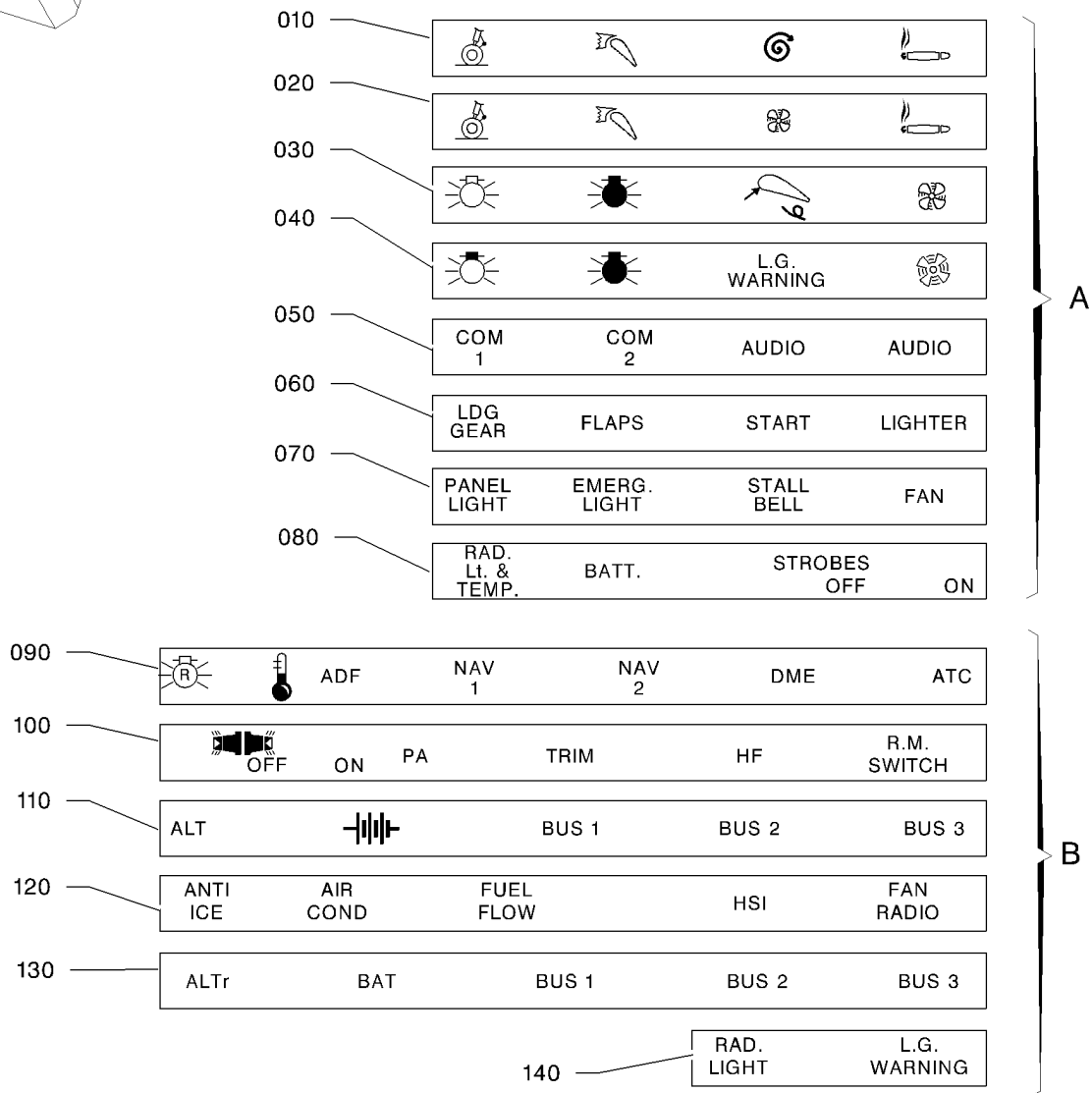
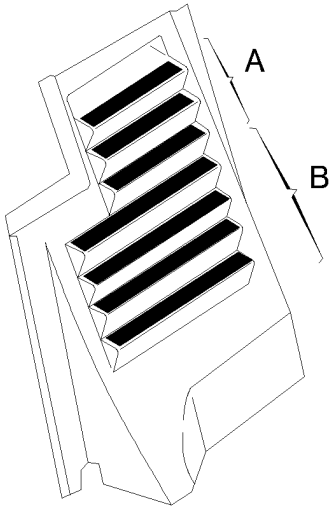
11-31-02

FIG. 1

PAGE 1 R

NOV 30/18

S/N 1 - 44, 46 - 48, 52, 53



CIRCUIT-BREAKER PANEL
FIGURE 1A

11-31-02

FIG. 1A

PAGE 0 R

NOV 30/18

I4113005AAA CUZ4301

FIG.ITEM	PART NUMBER	NOMENCLATURE		EFFECT FROM TO	UNITS PER ASSY	OBS
		1234567 				
1A- 1	TF11-31-02-01A-001		CIRCUIT-BREAKER PANEL		RF	
10	TB10 72030100		.LABEL NOT VALID FOR ENGLISH-SPEAKING COUNTRIES		1	
20	TB20 72205102		.LABEL NOT VALID FOR ENGLISH-SPEAKING COUNTRIES, AS SPARE PARTS ORDER FOLLOWING FIG. 01B		1	
30	TB10 72030101		.LABEL NOT VALID FOR ENGLISH-SPEAKING COUNTRIES		1	
40	TB20 72030100		.LABEL NOT VALID FOR ENGLISH-SPEAKING COUNTRIES		1	
50	TB10 72030102		.LABEL ENGLISH-SPEAKING COUNTRIES, AS SPARE PARTS ORDER FOLLOWING FIG. 01B		1	
60	TB10 72930104		.LABEL ENGLISH-SPEAKING COUNTRIES		1	
70	TB10 72930105		.LABEL NOT VALID FOR ENGLISH-SPEAKING COUNTRIES		1	
80	TB10 72934109		.LABEL ENGLISH-SPEAKING COUNTRIES		1	
90	TB10 72030103		.LABEL NOT VALID FOR ENGLISH-SPEAKING COUNTRIES		1	
100	TB10 72030104		.LABEL NOT VALID FOR ENGLISH-SPEAKING COUNTRIES, AS SPARE PARTS ORDER FOLLOWING FIG. 01B		1	
110	TB10 72030105		.LABEL ENGLISH-SPEAKING COUNTRIES		1	
120	TB20 72030103		.LABEL ENGLISH-SPEAKING COUNTRIES		1	
130	TB20 72205100		.LABEL ENGLISH-SPEAKING COUNTRIES, AS SPARE PARTS ORDER FOLLOWING FIG. 01B		1	
140	TB10 72934110		.LABEL ENGLISH-SPEAKING COUNTRIES		1	

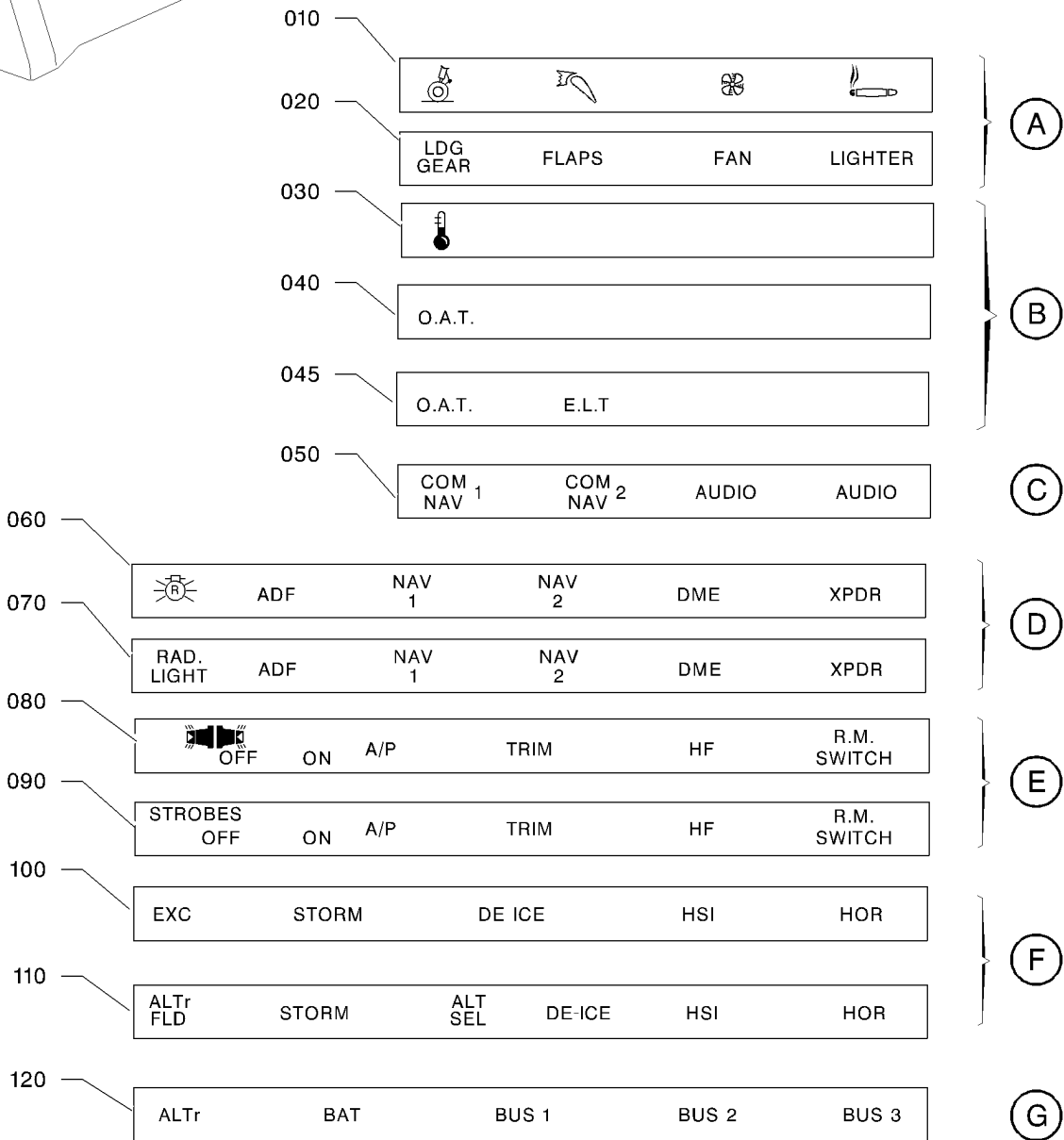
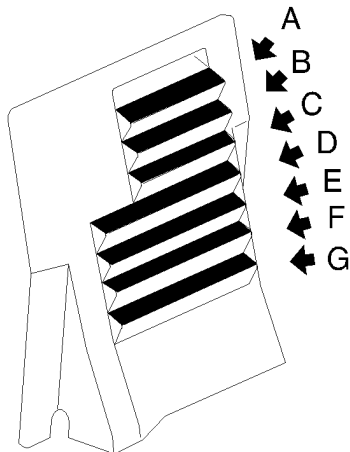
- ITEM NOT ILLUSTRATED

11-31-02

FIG. 1A

PAGE 1 R

NOV 30/18



CIRCUIT-BREAKER PANEL
FIGURE 1B

11-31-02

FIG. 1B

PAGE 0 R

NOV 30/18

I4113005AAAAYZ4302

FIG.ITEM	PART NUMBER	NOMENCLATURE		EFFECT FROM TO	UNITS PER ASSY	OBS
		1234567 				
1B- 1	TB11-31-02-01B-001		CIRCUIT-BREAKER PANEL		RF	
10	TB20 72206106		.LABEL NOT VALID FOR ENGLISH-SPEAKING COUNTRIES		1	
20	TB20 72206111		.LABEL ENGLISH-SPEAKING COUNTRIES		1	
30	TB20 72206105		.LABEL NOT VALID FOR ENGLISH-SPEAKING COUNTRIES RPLD BY TB20 72206112		1	OR
40	TB20 72206110		.LABEL ENGLISH-SPEAKING COUNTRIES RPLD BY TB20 72206112		1	OR
45	TB20 72206112		.LABEL RPLS TB20 72206105 OR TB20 72206110		1	
50	TB20 72206104		.LABEL ENGLISH-SPEAKING COUNTRIES		1	
60	TB20 72206103		.LABEL NOT VALID FOR ENGLISH-SPEAKING COUNTRIES		1	
70	TB20 72206109		.LABEL ENGLISH-SPEAKING COUNTRIES		1	
80	TB20 72206102		.LABEL S/N 823 - 849, 888, 948 - 1981 RPLD BY TB20 72206108		1	OR
90	TB20 72206108		.LABEL ENGLISH-SPEAKING COUNTRIES RPLS TB20 72206102		1	
100	TB20 72206101		.LABEL ENGLISH-SPEAKING COUNTRIES		1	
110	TB20 72206107		.LABEL ENGLISH-SPEAKING COUNTRIES		1	
120	TB20 72206100		.LABEL ENGLISH-SPEAKING COUNTRIES		1	

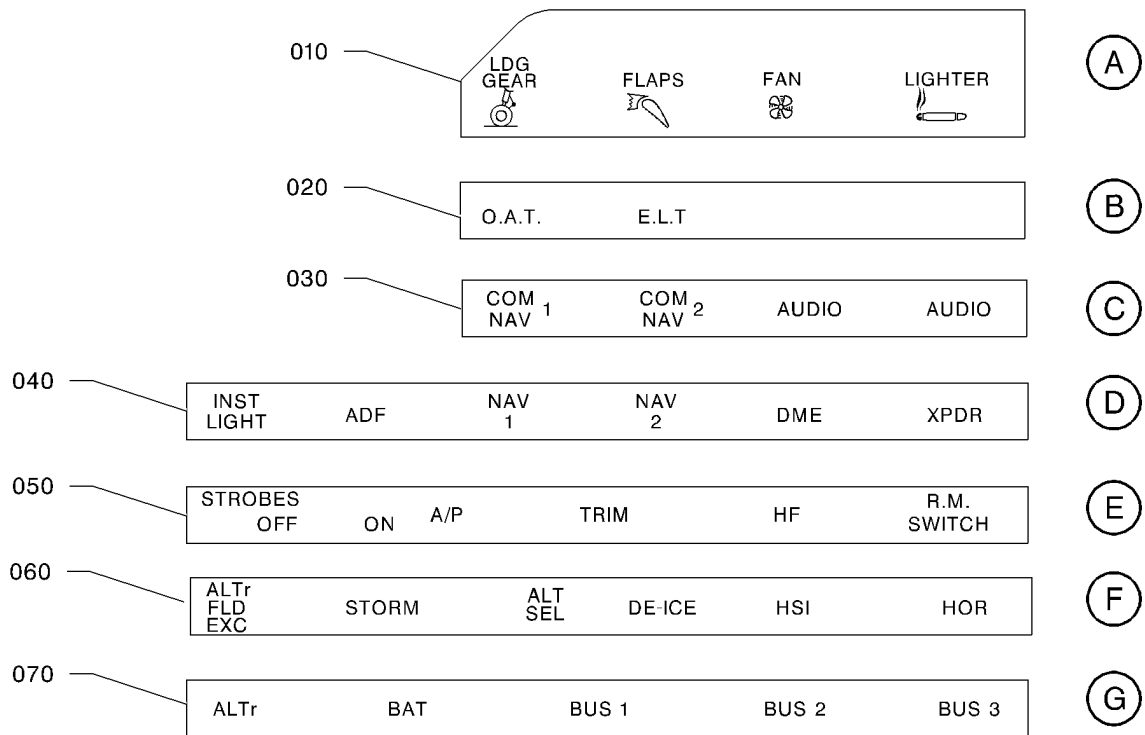
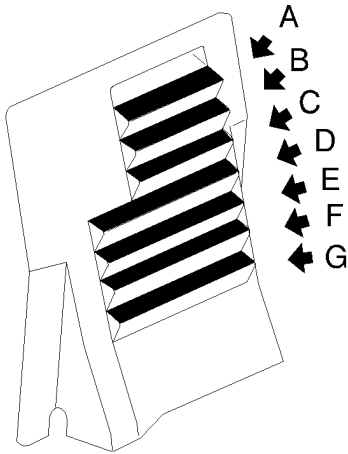
- ITEM NOT ILLUSTRATED

11-31-02

FIG. 1B

PAGE 1 R

NOV 30/18



I4113005AAAYZ4400

CIRCUIT-BREAKER PANEL
FIGURE 1C

11-31-02

FIG. 1C

PAGE 0 R

NOV 30/18

FIG.ITEM	PART NUMBER	NOMENCLATURE		EFFECT FROM TO	UNITS PER ASSY	OBS
		1234567 				
1C- 1	TB11-31-02-01C-001		CIRCUIT-BREAKER PANEL		RF	
10	TB20 7220611600		.LABEL		1	
20	TB20 72206112		.LABEL		1	
30	TB20 72206104		.LABEL		1	
40	TB20 7220611400		.LABEL		1	
50	TB20 72206108		.LABEL		1	
60	TB20 7220611500		.LABEL		1	
70	TB20 72206100		.LABEL		1	

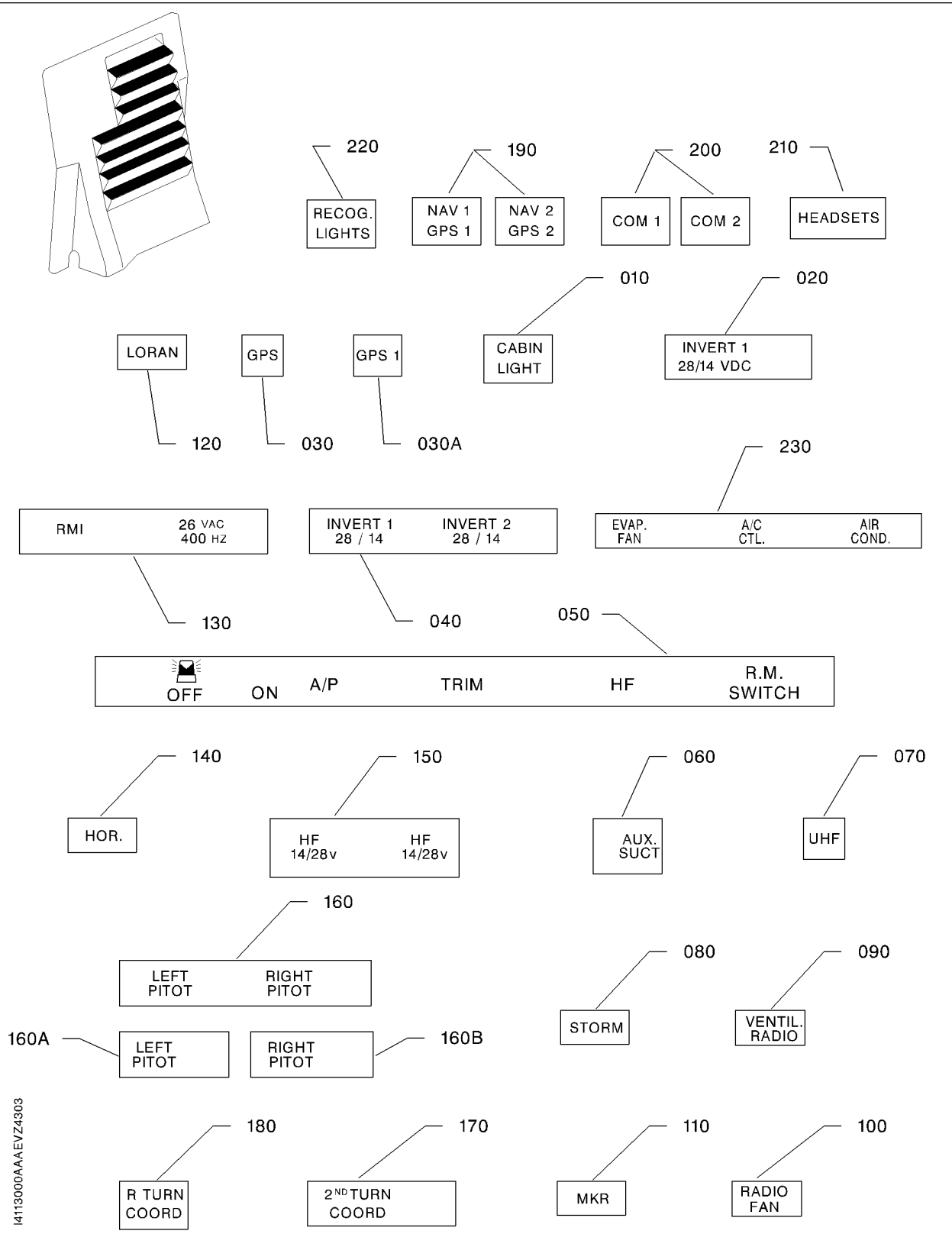
- ITEM NOT ILLUSTRATED

11-31-02

FIG. 1C

PAGE 1 R

NOV 30/18



CIRCUIT-BREAKER PANEL
FIGURE 2

11-31-02

FIG. 2

PAGE 0 R

NOV 30/18

14113000AAA4EVZ4303

FIG. ITEM	PART NUMBER	NOMENCLATURE		EFFECT FROM TO	UNITS PER ASSY	OBS
		1234567 				
2 - 1	TF11-31-02-02-001		CIRCUIT-BREAKER PANEL		RF	
10	TB09 72905100		.LABEL		AR	
20	TB10 72800100		.LABEL		AR	
30	TB10 72804100		.LABEL		AR	
30A	TB10 7280411900		.LABEL		AR	
40	TB10 72805101		.LABEL ON TRANSPARENT BACKGROUND		AR	
- 40A	TB10 72805102		.LABEL		AR	
50	TB10 72806101		.LABEL		AR	
60	TB20 72833100		.LABEL		AR	
70	TB20 72840103		.LABEL		AR	
80	TB20 72900100		.LABEL		AR	
90	TB20 72900101		.LABEL		AR	
100	TB20 72900102		.LABEL		AR	
110	TB20 72900103		.LABEL		AR	
120	TB20 72900104		.LABEL		AR	
130	TB20 72912100		.LABEL		AR	
140	TB20 72951105		.LABEL		AR	
150	TB10 66004105		.LABEL		AR	
160	TB20 72919101		.LABEL		AR	
160A	TB20 72833102		.LABEL		AR	
160B	TB20 72833104		.LABEL		AR	
170	TB09 72805103		.LABEL		AR	
			RPLD BY TB09 7280510500			
-170A	TB09 7280510500		.LABEL		AR	
			RPLS TB09 72805103			
180	TB09 72805106		.LABEL		AR	
190	TB10 7280411400		.LABEL		AR	
200	TB10 7280411800		.LABEL		AR	
210	TB20 7283210400		.LABEL		AR	
220	TB20 7284610100		.LABEL		AR	
230	TB20 72840101		.LABEL		AR	

- ITEM NOT ILLUSTRATED

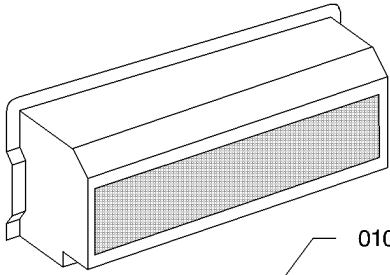
11-31-02

FIG. 2

PAGE 1 R

NOV 30/18

OPTION

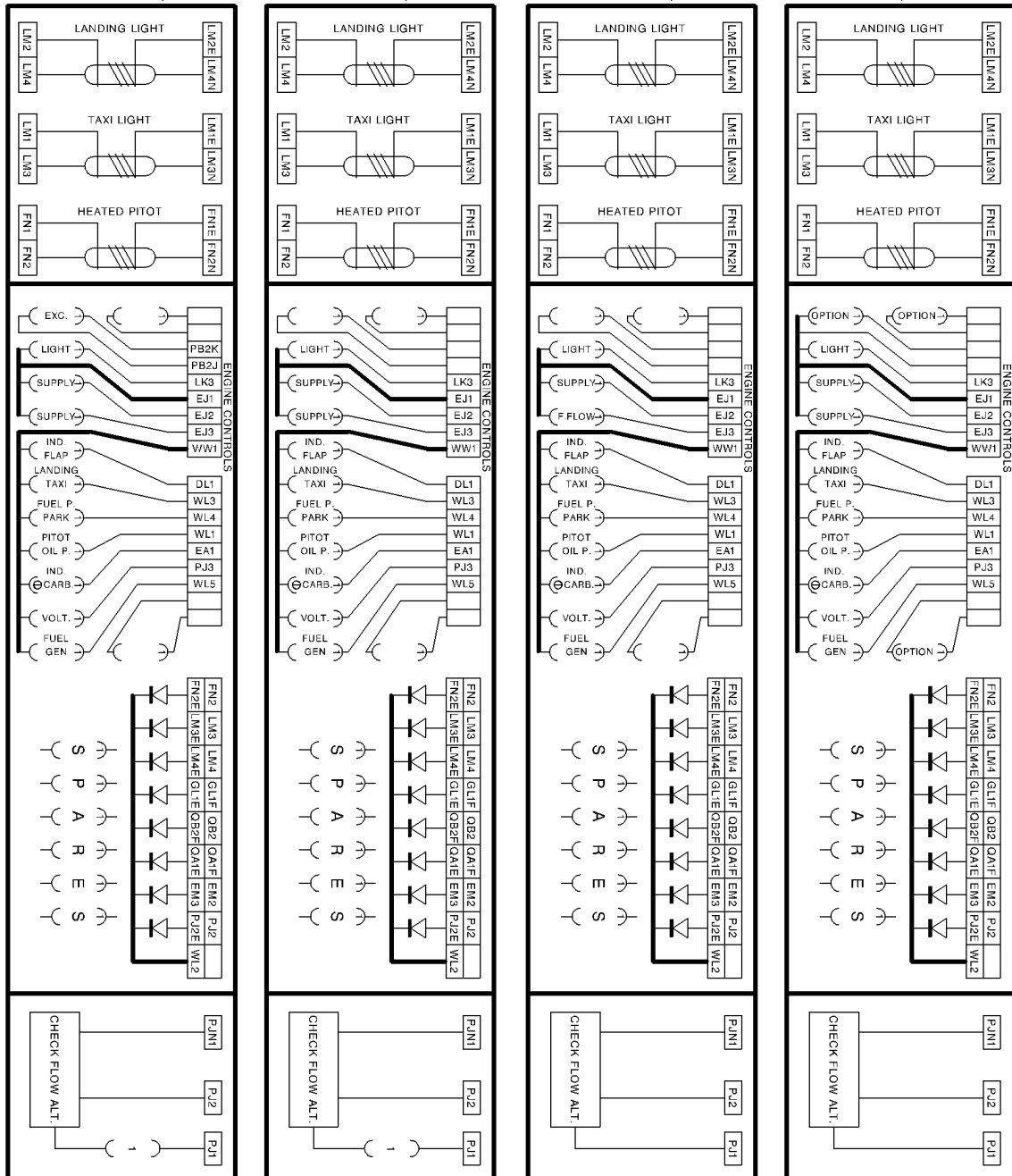


010

020

030

040



FUSE BOX
FIGURE 1

11-31-03

FIG. 1

PAGE 0 R

NOV 30/18

FIG.ITEM	PART NUMBER	1234567 	NOMENCLATURE	EFFECT FROM TO	UNITS PER ASSY	OBS
1 - 1	TF11-31-03-01-001		FUSE BOX		RF	
10	TB10 72002100		.LABEL S/N 1 - 100		1	
20	TB10 72002101		.LABEL S/N 101 - 560		1	
30	TB10 72002102		.LABEL		1	
40	TB10 72002103		.LABEL AUSTRALIA		1	

- ITEM NOT ILLUSTRATED

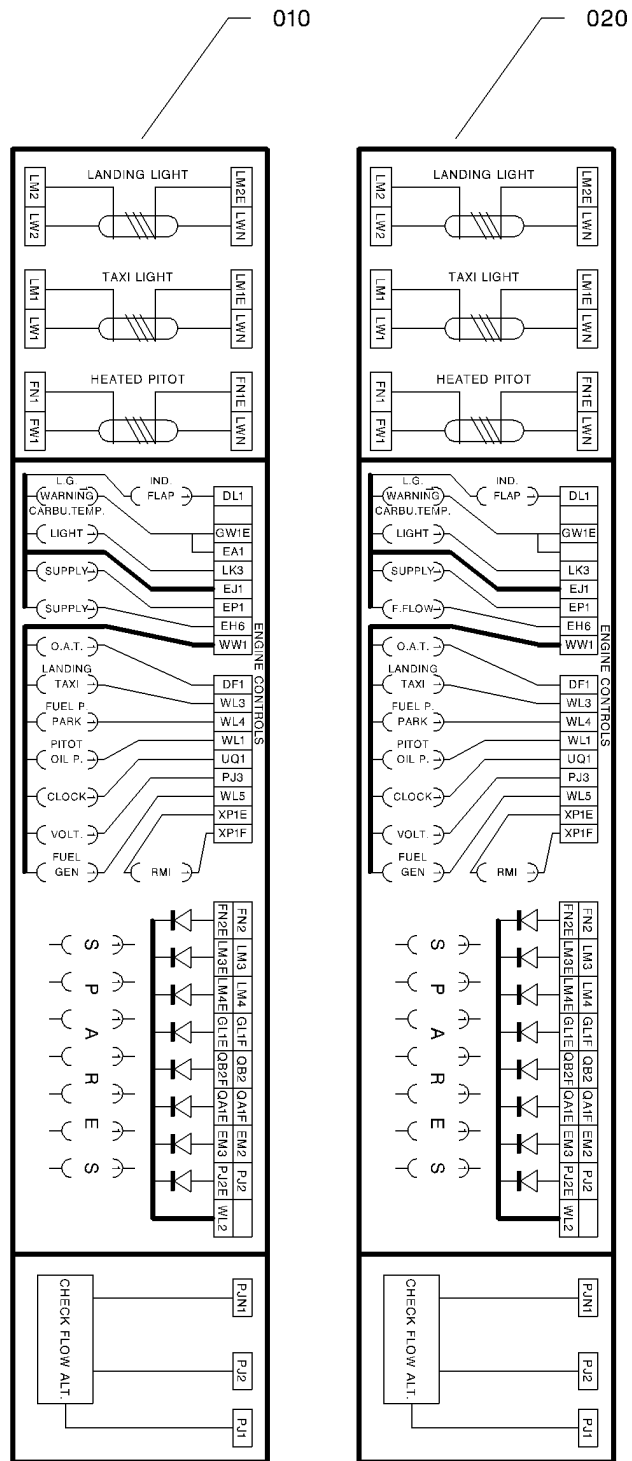
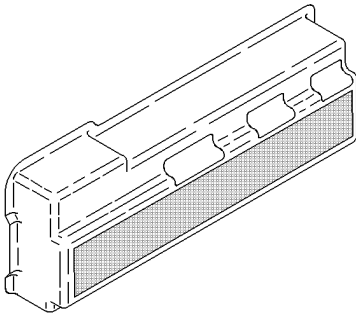
11-31-03

FIG. 1

PAGE 1 R

NOV 30/18

S/N 1 - 560



FUSE BOX
FIGURE 1A

11-31-03

FIG. 1A

PAGE 0 R

NOV 30/18

I4113007AAA B V Z 4300

FIG.ITEM	PART NUMBER	1234567 NOMENCLATURE	EFFECT FROM TO	UNITS PER ASSY	OBS
1A- 1 10 20	TF11-31-03-01A-001 TB20 72002101 TB20 72002102	FUSE BOX .LABEL .LABEL		RF 1 1	

- ITEM NOT ILLUSTRATED

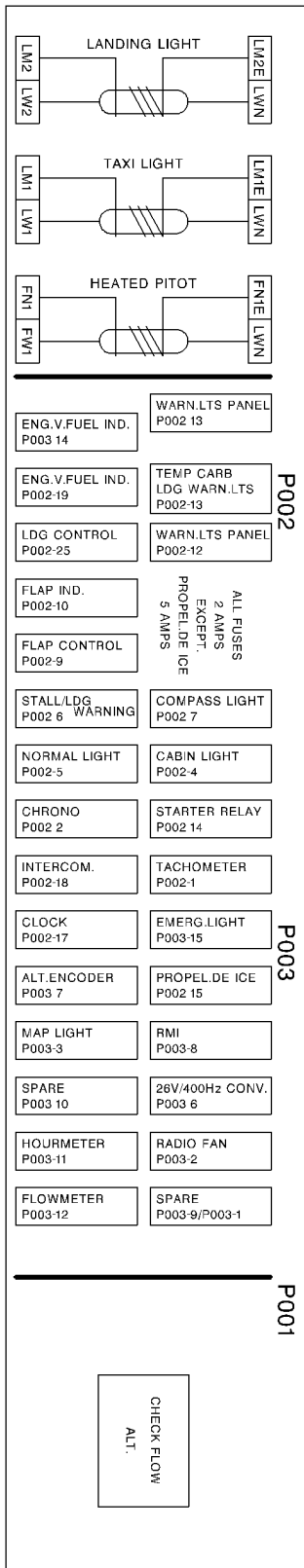
11-31-03

FIG. 1A

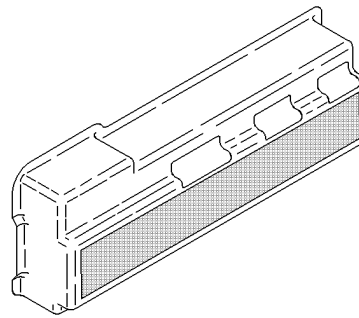
PAGE 1 R

NOV 30/18

S/N 561 - 822, 850 - 887, 889 - 947



010



020

SPARE 2A

14113007AAAACVZ4301

FUSE BOX
FIGURE 1B

11-31-03

FIG. 1B

PAGE 0 R

NOV 30/18

FIG.ITEM	PART NUMBER	1234567 NOMENCLATURE	EFFECT FROM TO	UNITS PER ASSY	OBS
1B- 1 10 20	TF11-31-03-01B-001 TB20 72210100 TB20 72210104	FUSE BOX .LABEL .LABEL		RF 1 1	

- ITEM NOT ILLUSTRATED

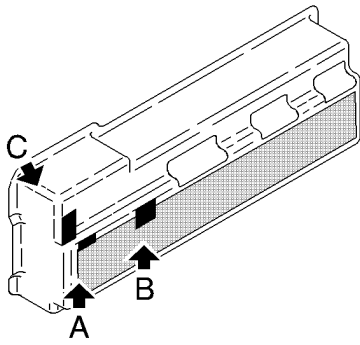
11-31-03

FIG. 1B

PAGE 1 R

NOV 30/18

S/N 823 - 849, 888, 948 - 9999



(A)



010



040

(B)

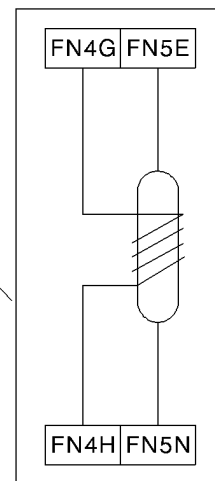
ALL FUSES
2 AMPS
EXCEP.
PROPEL.DE ICE
and.START RELAY
5 AMPS

020

ALL FUSES
2 AMPS
EXCEP.
PROPEL.DE ICE
5 AMPS

050

(C)



030

AMMETER/VOLTMETER
P 003-10

060

I4113007AAACVZ4400

FUSE BOX
FIGURE 2

11-31-03

FIG. 2

PAGE 0 R

NOV 30/18

FIG.ITEM	PART NUMBER	NOMENCLATURE		EFFECT FROM TO	UNITS PER ASSY	OBS
		1234567 				
2 - 1	TB11-31-03-02-001		FUSE BOX		RF	
10	TB20 72828102		.LABEL STARTING VIBRATOR		1	
20	TB20 72828103		.LABEL STARTING VIBRATOR		1	
30	TB20 72919100		.LABEL PITOT 2		1	
40	TB20 72210106		.LABEL KIT OPT10 9174		1	
50	TB20 72210107		.LABEL KIT OPT10 9174		1	
60	TB20 72842101		.LABEL AMMETER/VOLTMETER		1	

- ITEM NOT ILLUSTRATED

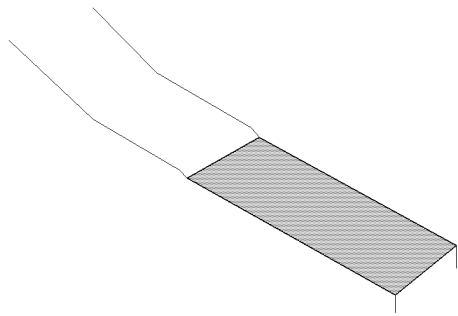
11-31-03

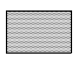
FIG. 2

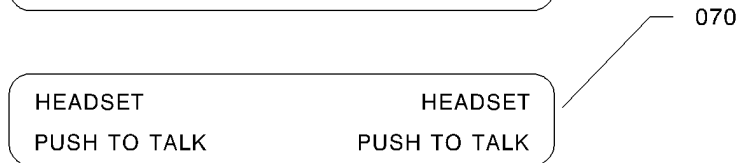
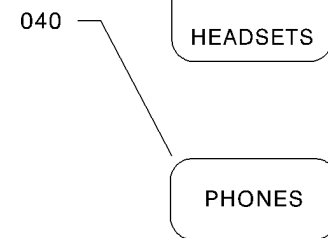
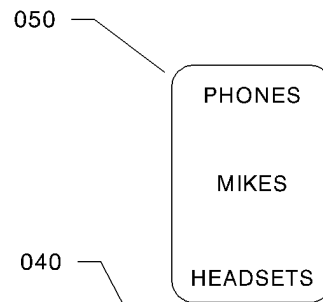
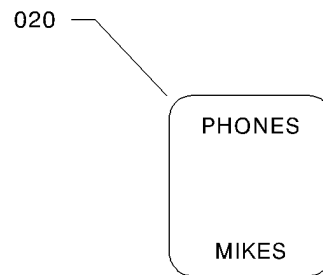
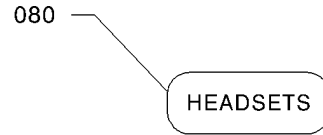
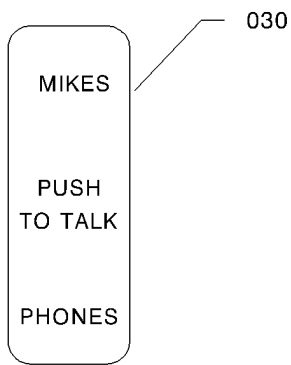
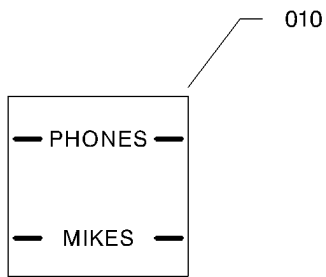
PAGE 1 R

NOV 30/18

OPTION



 Variante de localisation
Alternate location



I4113100AAAATY4303

DUCT
FIGURE 1

FIG.ITEM	PART NUMBER	1234567							EFFECT FROM TO	UNITS PER ASSY	OBS
1 - 1	TB11-31-04-01-001	DUCT								RF	
10	TB10 72936100	.PLACARD								AR	
20	TB20 72832100	.PLACARD								AR	
30	TB20 72831100	.PLACARD								AR	
40	TB20 72831102	.PLACARD								AR	
50	TB20 7283210200	.PLACARD								AR	
60	TB20 7283210800	.PLACARD								1	
70	TB20 7283211000	.PLACARD								1	
80	TB20 7283210600	.PLACARD								AR	

- ITEM NOT ILLUSTRATED

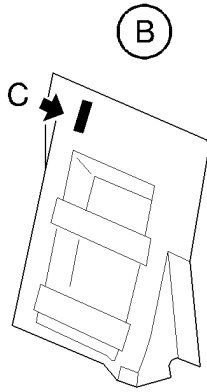
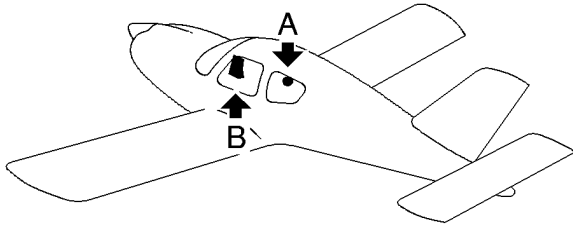
11-31-04

FIG. 1

PAGE 1 R

NOV 30/18

OPTION



(C)

FLIGHT
MANUAL

020

EM EMERGÊNCIA
ALIJE O VIDRO
COM UM GOLPE
COM OS PÉS

(A)

010

EN CAS D'URGENCE
DEGAGER LA GLACE
D'UN COUP DE PIED

IN EMERGENCY
KICK OUT HERE

IM NOTFALL
SCHLAGEN SIE
DAS FENSTER
MIT DEM FUSS EIN

030

MISCELLANEOUS
FIGURE 1

11-31-05

FIG. 1

PAGE 0 R

NOV 30/18

FIG.ITEM	PART NUMBER	1234567 	NOMENCLATURE	EFFECT FROM TO	UNITS PER ASSY	OBS
1 - 1	TB11-31-05-01-001		MISCELLANEOUS		RF	
10	TB10 72037000		.LABEL NOT VALID FOR BRAZIL, PRE-MOD. 151		2	
20	TB10 72926140		.LABEL BRAZIL, PRE-MOD. 151		1	OR
30	TB10 72500138		.LABEL OPTION RPLD BY TB10 72934137		1	OR
- 30A	TB10 72934137		.LABEL OPTION S/N 1 - 1792 RPLS TB10 72500138 RPLD BY TB10 72934145		1	OR
- 30B	TB10 72934145		.LABEL OPTION RPLS TB10 72934137		1	

- ITEM NOT ILLUSTRATED

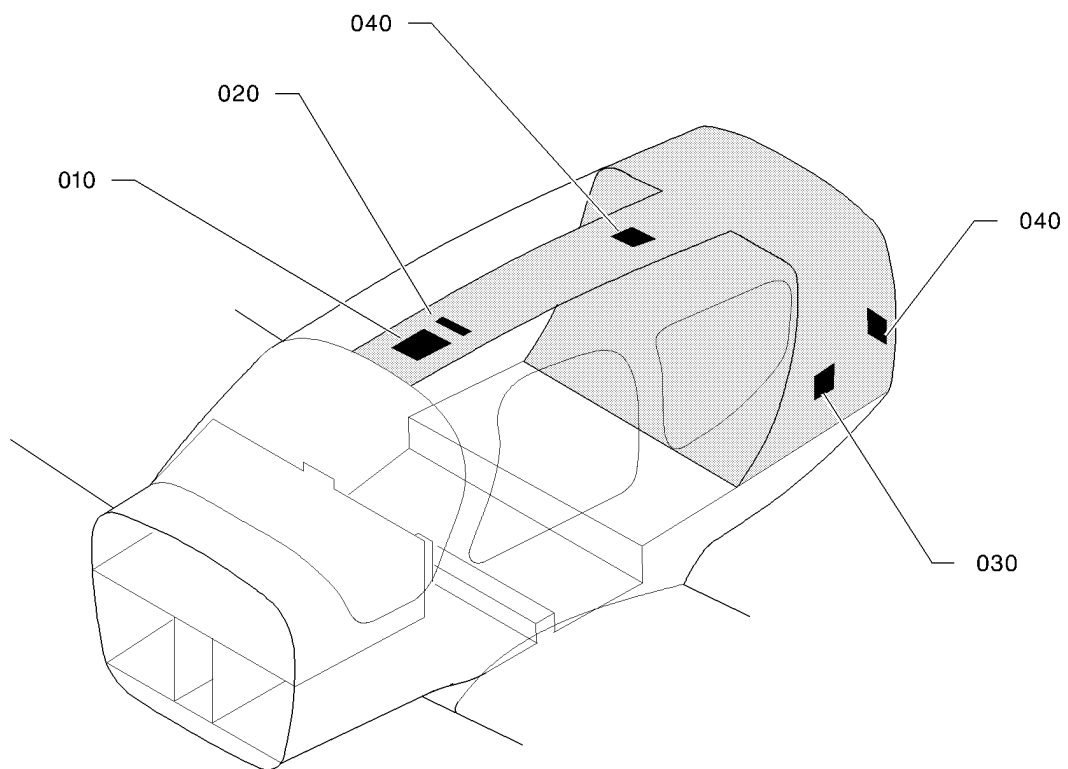
11-31-05

FIG. 1

PAGE 1 R

NOV 30/18

S/N 1 - 9999



I4110000AACWZ4500

AREA 240
FIGURE 1

11-32-00

FIG. 1
PAGE 0 R

NOV 30/18

FIG.ITEM	PART NUMBER	1234567 	NOMENCLATURE	EFFECT FROM TO	UNITS PER ASSY	OBS
1 - 1	TB11-32-00-01-001		AREA 240		RF	
10	TB11-32-01-01		.INSTRUCTION		1	
20	TB11-32-02-01		.FLIGHT CONDITIONS		1	
30	TB11-32-03-01		.CARGO COMPARTMENT DOOR		1	
40	TB11-32-04-01		.MISCELLANEOUS		1	

- ITEM NOT ILLUSTRATED

11-32-00

FIG. 1

PAGE 1 R

NOV 30/18

S/N 1 - 9999

TB 9

.CET AVION DOIT ETRE UTILISE EN CATEGORIE NORMALE OU UTILITAIRE CONFORMEMENT AUX PLAQUETTES, INSCRIPTIONS ET MANUEL DE VOL.

CATEGORIE NORMALE ET UTILITAIRE :

MASSE MAXIMALE	1060 kg
VITESSE DE MANOEUVRE V_A	227 km/h - 122 kt
VITESSE LIMITE V_{NE}	306 km/h - 165 kt
VITESSE MAXI VOILETS SORTIS V_{FE}	176 km/h - 95 kt

FACTEUR DE CHARGE, LIMITE DE CALCUL:

CATEGORIE "N"	VOILETS RENTRES	$-1,5 \leq n \leq +3,8$
	VOILETS BRAQUES	$0 \leq n \leq +2$
CATEGORIE "U"	VOILETS RENTRES	$1,8 \leq n \leq +4,4$
	VOILETS BRAQUES	$0 \leq n \leq +2$

.TOUTE MANOEUVRE ACROBATIQUE EST INTERDITE EN CATEGORIE "N".

.EN CATEGORIE "U", SEULES LES MANOEUVRES ACROBATIQUES SUIVANTES SONT AUTORISEES:

	VITESSE D'ENTREE
CHANDELLES	240 km/h - 130 kt
HUIT LENTS	230 km/h - 124 kt
VIRAGES SERRES	200 km/h - 108 kt
DECROCHAGES	

.LA VRILLE EST INTERDITE EN CATEGORIE NORMALE ET UTILITAIRE.

.LES REPERES, PLAQUETTES ET INSCRIPTIONS CORRESPONDENT A L'UTILISATION EN CATEGORIE "N" ET "U"

TB 9

.DIESES FLUGZEUG IST IN KATEGORIE NORMALFLUGZEUG ODER NUTZFLUGZEUG NACH DEN HINWEISSCHILDERN, DEN BESCHRIFTUNGEN UND DEM FLUGHANDBUCH ZU BETRIEBEN.

KATEGORIE NORMALFLUGZEUG UND NUTZFLUGZEUG:

HÖCHSTZULÄSSIGES GEWICHT	1060 kp
MANÖVERGESCHWINDIGKEIT V_A	227 km/h
HÖCHSTZULÄSSIGES GESCHWINDIGKEIT V_{NE}	306 km/h
GRENZGESCHWINDIGKEIT BEI AUSGEFAHRENE	
LANDEKLAPPEN V_{FE}	176 km/h

MAXIMALES LASTENVIELFACHES:

- KATEGORIE NORMALFLUGZEUG

BEI EINGEFAHRENE LANDEKLAPPEN	$-1,5 \leq n \leq +3,8$
BEI HERUNTERGEFAHRENE LANDEKLAPPEN	$0 \leq n \leq +2$

- KATEGORIE NUTZFLUGZEUG

BEI EINGEFAHRENE LANDEKLAPPEN	$1,8 \leq n \leq +4,4$
BEI HERUNTERGEFAHRENE LANDEKLAPPEN	$0 \leq n \leq +2$

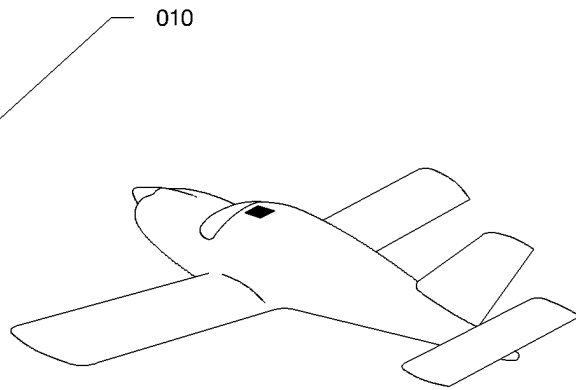
KUNSTFLUG IN DER KATEGORIE NORMALFLUGZEUG IST VERBOTEN.

.NUR IN DER KATEGORIE NUTZFLUGZEUG SIND FOLGENDE KUNSTFLUGFIGUREN GESTATTET :

	ANFANGS- GESCHWINDIGKEIT
CHANDELLE	240 km/h
LAZY EIGHT	230 km/h
STEILKURVEN	200 km/h
UBERZIEHEN	

.TRUDELN IST SOWOHL FÜR KATEGORIE NORMALFLUGZEUG ALS AUCH FÜR KATEGORIE NUTZFLUGZEUG VERBOTEN.

DIE MARKIERUNGEN, HINWEISSCHILDER UND BESCHRIFTUNGEN ENTSPRECHEN DER KATEGORIE NORMALFLUGZEUG UND NUTZFLUGZEUG.



I4113002AAAUFUZ4301

INSTRUCTION
FIGURE 1

11-32-01

FIG. 1

PAGE 0 R

NOV 30/18

S/N 1 - 587, 589 - 599, 601 - 609, NOT VALID FOR ENGLISH-SPEAKING COUNTRIES

FIG.ITEM	PART NUMBER	NOMENCLATURE	EFFECT FROM TO	UNITS PER ASSY	OBS
1 - 1	TF11-32-01-01-001	INSTRUCTION		RF	
10	TB10 72500156	.PLACARD FRENCH		1	OR
20	TB10 72500158	.PLACARD GERMAN		1	OR

- ITEM NOT ILLUSTRATED

11-32-01

FIG. 1

PAGE 1 R

NOV 30/18

S/N 1 - 587, 589 - 599, 601 - 609, NOT VALID FOR ENGLISH-SPEAKING COUNTRIES

TB 9

.THIS AIRCRAFT MUST BE FLOWN IN NORMAL OR UTILITY CATEGORY IN ACCORDANCE WITH THE PLACARDS, MARKINGS AND FLIGHT MANUAL.

NORMAL AND UTILITY CATEGORY

MAXIMUM WEIGHT	2337 lbs
MANEUVERING SPEED V_A	122 kt-141 MPH
NEVER EXCEED SPEED V_{NE}	165 kt 190 MPH
FLAPS EXTENDED SPEED V_{FE}	95 kt-109 MPH

DESIGN LIMIT LOAD FACTOR

"N" CATEGORY	FLAPS RETRACTED	$-1,5 \leq n \leq +3,8$
	FLAPS EXTENDED	$0 \leq n \leq +2$
"U" CATEGORY	FLAPS RETRACTED	$-1,8 \leq n \leq +4,4$
	FLAPS EXTENDED	$0 \leq n \leq +2$

.ANY AEROBATIC MANOEUVRE IS PROHIBITED IN NORMAL CATEGORY.

.IN UTILITY CATEGORY, ONLY THE FOLLOWING AEROBATIC MANOEUVRES ARE PERMITTED:

	ENTRY SPEED
CHANDELLES	130 kt-149 MPH
LAZY HEIGHT	124 kt 143 MPH
STEEP TURNS	108 kt-124 MPH
STALLS	

.VOLUNTARY SPINS ARE PROHIBITED IN BOTH NORMAL AND UTILITY CATEGORIES.

.MARKINGS, PLACARDS AND INSTRUCTION PLATES APPLY TO CATEGORIES "N" AND "U".

010

TB 9

.THIS AIRCRAFT MUST BE FLOWN IN NORMAL OR UTILITY CATEGORY IN ACCORDANCE WITH THE PLACARDS, MARKINGS AND FLIGHT MANUAL.

NORMAL AND UTILITY CATEGORY

MAXIMUM WEIGHT	1060 kg
MANOEUVRE SPEED V_A	122 kt
NEVER EXCEED SPEED V_{NE}	165 kt
FLAPS EXTENDED SPEED V_{FE}	95 kt

DESIGN LIMIT LOAD FACTOR

"N" CATEGORY	FLAPS RETRACTED	$1,5 \leq n \leq +3,8$
	FLAPS EXTENDED	$0 \leq n \leq +2$
"U" CATEGORY	FLAPS RETRACTED	$-1,8 \leq n \leq +4,4$
	FLAPS EXTENDED	$0 \leq n \leq +2$

.ANY AEROBATIC MANOEUVRE IS PROHIBITED IN NORMAL CATEGORY.

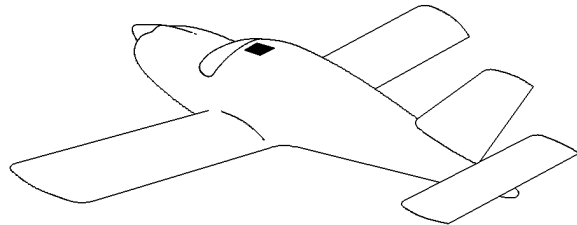
.IN UTILITY CATEGORY, ONLY THE FOLLOWING AEROBATIC MANOEUVRES ARE PERMITTED:

	ENTRY SPEED
CHANDELLES	130 kt
LAZY HEIGHT	124 kt
STEEP TURNS	108 kt
STALLS	

.VOLUNTARY SPINS ARE PROHIBITED IN BOTH NORMAL AND UTILITY CATEGORIES.

.MARKINGS, PLACARDS AND INSTRUCTION PLATES APPLY TO CATEGORIES "N" AND "U".

020



I4T13002AAA FUZ4401

INSTRUCTION
FIGURE 1A

11-32-01

FIG. 1A

PAGE 0 R

NOV 30/18

FIG.ITEM	PART NUMBER	NOMENCLATURE	EFFECT FROM TO	UNITS PER ASSY	OBS
1A- 1	TF11-32-01-01A-001	INSTRUCTION		RF	
10	TB10 72500157	.PLACARD NOT VALID FOR AUSTRALIA		1	OR
20	TB10 72500160	.PLACARD AUSTRALIA		1	OR

- ITEM NOT ILLUSTRATED

11-32-01

FIG. 1A

PAGE 1 R

NOV 30/18

S/N 1 - 587, 589 - 599, 601 - 609, ENGLISH-SPEAKING COUNTRIES

TB 9

• CET AVION DOIT ETRE UTILISE EN CATEGORIE NORMALE OU UTILITAIRE CONFORMEMENT AUX PLAQUETTES, INSCRIPTIONS ET MANUEL DE VOL.

CATEGORIE NORMALE ET UTILITAIRE

MASSE MAXIMALE	1060 kg
VITESSE DE MANOEUVRE V_A	227 km/h - 122 kt
VITESSE LIMITE V_{NE}	306 km/h - 165 kt
VITESSE MAXI VOILETS SORTIS V_{FE}	176 km/h - 95 kt

FACTEUR DE CHARGE LIMITE DE CALCUL:

CATEGORIE "N"	VOILETS RENTRES	$1,5 \leq n \leq +3,8$
	VOILETS BRAQUES	$0 \leq n \leq +2$
CATEGORIE "U"	VOILETS RENTRES	$-1,8 \leq n \leq +4,4$
	VOILETS BRAQUES	$-0 \leq n \leq +2$

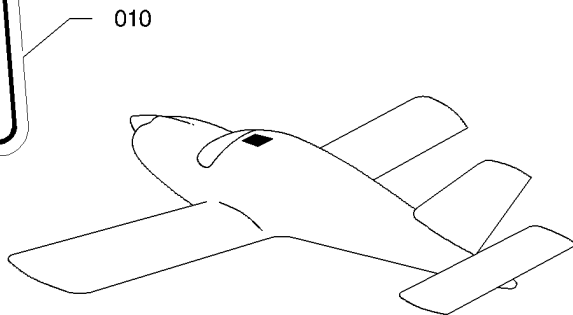
• TOUTE MANOEUVRE ACROBATIQUE EST INTERDITE EN CATEGORIE "N".

• EN CATEGORIE "U" SEULES LES MANOEUVRES ACROBATIQUES SUIVANTES SONT AUTORISEES :

	VITESSE D'ENTREE
CHANDELLES	240 km/h - 130 kt
HUIT LENTS	230 km/h - 124 kt
VIRAGES SERRES	200 km/h - 108 kt
DECROCHAGES	

• LA VRILLE EST INTERDITE EN CATEGORIE NORMALE ET UTILITAIRE.

• LES REPERES, PLAQUETTES ET INSCRIPTIONS CORRESPONDENT A L'UTILISATION EN CATEGORIE NORMALE ET UTILITAIRE.



010

I4113002AAAAGUZ4301

TB 9

• DIESES FLUGZEUG IST IN KATEGORIE NORMALFLUGZEUG ODER NUTZFLUGZEUG NACH DEN HINWEISSCHILDERN, DEN BESCHRIFTUNGEN UND DEM FLUGHANDBUCH ZU BETREIBEN.

KATEGORIE NORMALFLUGZEUG UND NUTZFLUGZEUG:

HÖCHSTZULÄSSIGES GEWICHT	1060 kg
MANÖVERGESCHWINDIGKEIT V_A	227 km/h - 122 kt
HÖCHSTZULÄSSIGES GESCHWINDIGKEIT V_{NE}	306 km/h - 165 kt
GRENZGESCHWINDIGKEIT BEI AUSGEFAHRENEN LANDEKLAPPEN V_{FE}	176 km/h - 95 kt

MAXIMALES LASTENVIELFACHES:

KATEGORIE NORMALFLUGZEUG		
BEI EINGEFAHRENEN LANDEKLAPPEN	$-1,5 \leq n \leq +3,8$	
BEI HERUNTERGEFAHRENEN LANDEKLAPPEN	$0 \leq n \leq +2$	
KATEGORIE NUTZFLUGZEUG		
BEI EINGEFAHRENEN LANDEKLAPPEN	$-1,8 \leq n \leq +4,4$	
BEI HERUNTERGEFAHRENEN LANDEKLAPPEN	$0 \leq n \leq +2$	

• KUNSTFLUG IN DER KATEGORIE NORMALFLUGZEUG IST VERBOTEN.

• NUR IN DER KATEGORIE NUTZFLUGZEUG SIND FOLGENDE KUNSTFLUGFIGUREN GESTATTET :

	ANFANGS GESCHWINDIGKEIT
KERZEN	240 km/h - 130 kt
LANGSAME ACHT	230 km/h - 124 kt
STEILKURVEN	200 km/h - 108 kt
ABRISSMANÖVER	

• TRUDELN IST SOWOHL FÜR KATEGORIE NORMALFLUGZEUG ALS AUCH FÜR KATEGORIE NUTZFLUGZEUG VERBOTEN.

• DIE MARKIERUNGEN, HINWEISSCHILDER UND BESCHRIFTUNGEN ENTSPRECHEN DER KATEGORIE NORMALFLUGZEUG UND NUTZFLUGZEUG.

020

INSTRUCTION
FIGURE 1B

11-32-01

FIG. 1B

PAGE 0 R

NOV 30/18

FIG.ITEM	PART NUMBER	NOMENCLATURE		EFFECT FROM TO	UNITS PER ASSY	OBS
		1234567 				
1B- 1	TF11-32-01-01B-001		INSTRUCTION		RF	
10	TB09 72004000		.PLACARD FRENCH		1	
20	TB09 72004002		.PLACARD GERMAN		1	

- ITEM NOT ILLUSTRATED

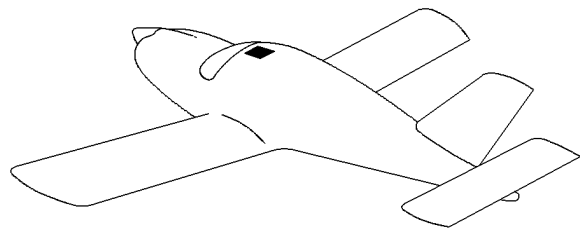
11-32-01

FIG. 1B

PAGE 1 R

NOV 30/18

S/N 588, 600, 610 - 9999, NOT VALID FOR ENGLISH-SPEAKING COUNTRIES, WITHOUT OPTION OPT10 D856



TB 9

THIS AIRCRAFT MUST BE FLOWN IN NORMAL OR UTILITY CATEGORY IN ACCORDANCE WITH THE PLACARDS, MARKINGS AND FLIGHT MANUAL.

NORMAL AND UTILITY CATEGORY

MAXIMUM WEIGHT	2337 lbs
MANEUVERING SPEED V_A	122 KIAS
NEVER EXCEED SPEED V_{NE}	165 KIAS
FLAPS EXTENDED SPEED V_{FE}	95 KIAS

DESIGN LIMIT LOAD FACTOR

"N" CATEGORY	FLAPS RETRACTED	$-1.5 \leq n \leq +3.8$
	FLAPS EXTENDED	$-0 \leq n \leq +2$
"U" CATEGORY	FLAPS RETRACTED	$-1.8 \leq n \leq +4.4$
	FLAPS EXTENDED	$0 \leq n \leq +2$

ANY ACROBATIC MANEUVER IS PROHIBITED IN NORMAL CATEGORY.

IN UTILITY CATEGORY ONLY THE FOLLOWING ACROBATIC MANEUVERS ARE PERMITTED:

	ENTRY SPEED
CHANDELLES	130 KIAS
LAZY HEIGHT	124 KIAS
STEEP TURNS	108 KIAS
STALLS	

VOLUNTARY SPINS ARE PROHIBITED IN BOTH NORMAL AND UTILITY CATEGORIES.

MARKINGS, PLACARDS AND INSTRUCTION PLATES APPLY TO CATEGORIES "N" AND "U".

010

TB 9

THIS AIRCRAFT MUST BE FLOWN IN UTILITY CATEGORY IN ACCORDANCE WITH THE PLACARDS, MARKINGS AND FLIGHT MANUAL.

NORMAL AND UTILITY CATEGORY:

INVERTED FLIGHT	PROHIBITED
ACROBATIC MANEUVERS	PROHIBITED (EXCEPT AS NOTED BELOW)
INTENTIONAL SPINS	PROHIBITED
ICING CONDITIONS	PROHIBITED

MAXIMUM WEIGHT	2337 lbs
MANEUVERING SPEED V_A	122 KIAS
NEVER EXCEED SPEED V_{NE}	165 KIAS
FLAP EXTENDED SPEED V_{FE}	95 KIAS

DESIGN LIMIT LOAD FACTOR

FLAPS RETRACTED	$-1.8 \leq n \leq +4.4$
FLAPS EXTENDED	$-0 \leq n \leq +2$

IN UTILITY CATEGORY, ONLY THE FOLLOWING ACROBATIC MANEUVERS ARE PERMITTED :

	ENTRY SPEED
CHANDELLES	130 KIAS
LAZY HEIGHT	124 KIAS
STEEP TURNS	108 KIAS

030

I4113002AAAGUZ4401

020

TB 9

THIS AIRCRAFT MUST BE FLOWN IN NORMAL OR UTILITY CATEGORY IN ACCORDANCE WITH THE PLACARDS, MARKINGS AND FLIGHT MANUAL.

NORMAL AND UTILITY CATEGORY:

MAXIMUM WEIGHT	1060 kg
MANEUVERING SPEED V_A	122 KIAS
NEVER EXCEED SPEED V_{NE}	165 KIAS
FLAP EXTENDED SPEED V_{FE}	95 KIAS

DESIGN LIMIT LOAD FACTOR

"N" CATEGORY	FLAPS RETRACTED	$1.5 \leq n \leq +3.8$
	FLAPS EXTENDED	$0 \leq n \leq +2$
"U" CATEGORY	FLAPS RETRACTED	$-1.8 \leq n \leq +4.4$
	FLAPS EXTENDED	$-0 \leq n \leq +2$

ANY ACROBATIC MANEUVER IS PROHIBITED IN NORMAL CATEGORY.

IN UTILITY CATEGORY, ONLY THE FOLLOWING ACROBATIC MANEUVERS ARE PERMITTED:

	ENTRY SPEED
CHANDELLES	130 KIAS
LAZY HEIGHT	124 KIAS
STEEP TURNS	108 KIAS
STALLS	

VOLUNTARY SPINS ARE PROHIBITED IN BOTH NORMAL AND UTILITY CATEGORIES.

MARKINGS, PLACARDS AND INSTRUCTION PLATES APPLY TO CATEGORIES "N" AND "U".

INSTRUCTION
FIGURE 1C

11-32-01

FIG. 1C

PAGE 0 R

NOV 30/18

S/N 588, 600, 610 - 9999, ENGLISH-SPEAKING COUNTRIES, WITHOUT OPTION OPT10 D856

FIG.ITEM	PART NUMBER	1234567 	NOMENCLATURE	EFFECT FROM TO	UNITS PER ASSY	OBS
1C- 1	TF11-32-01-01C-001		INSTRUCTION		RF	
10	TB09 72004001		.PLACARD NOT VALID FOR AUSTRALIA AND U.S.		1	
20	TB09 72004004		.PLACARD AUSTRALIA		1	
30	TB09 72004005		.PLACARD U.S.		1	

- ITEM NOT ILLUSTRATED

11-32-01

FIG. 1C

PAGE 1 R

NOV 30/18

S/N 588, 600, 610 - 9999, ENGLISH-SPEAKING COUNTRIES, WITHOUT OPTION OPT10 D856

TB 9

• CET AVION DOIT ETRE UTILISE EN CATEGORIE NORMALE OU UTILITAIRE CONFORMEMENT AUX PLAQUETTES INSCRIPTIONS ET MANUEL DE VOL.

CATEGORIE NORMALE ET UTILITAIRE

MASSE MAXIMALE	955 kg
VITESSE DE MANOEUVRE V_A	227 km/h 122 kt
VITESSE LIMITE V_{NE}	306 km/h 165 kt
VITESSE MAXI VOLETS SORTIS V_{FE}	176 km/h - 95 kt

FACTEUR DE CHARGE LIMITE DE CALCUL:

CATEGORIE "N"	VOLETS RENTRES	-1,5	A	A	n	n	+3,8
	VOLETS BRAQUES	0	A	n	A	A	+2
CATEGORIE "U"	VOLETS RENTRES	1,8	A	n	A	A	+4,4
	VOLETS BRAQUES	0	A	n	A	A	+2

• TOUTE MANOEUVRE ACROBATIQUE EST INTERDITE EN CATEGORIE "N"

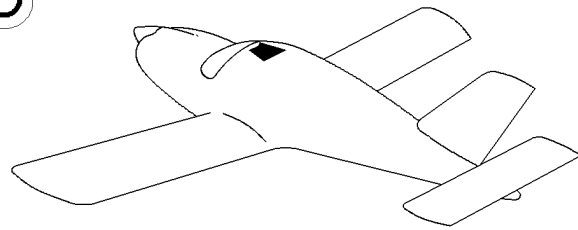
• EN CATEGORIE "U" SEULES LES MANOEUVRES ACROBATIQUES SUIVANTES SONT AUTORISEES:

	VITESSE D'ENTREE
CHANDELLES	240 km/h - 130 kt
HUIT LENTS	230 km/h - 124 kt
VIRAGES SERRES	200 km/h - 108 kt
DECROCHAGES	

• LA VRILLE EST INTERDITE EN CATEGORIE NORMALE ET UTILITAIRE

• LES REPERES, PLAQUETTES ET INSCRIPTIONS CORRESPONDENT A L'UTILISATION EN CATEGORIE NORMALE ET UTILITAIRE

010



I4113002AAAULZ4301

TB 9

• DIESES FLUGZEUG IST IN KATEGORIE NORMALFLUGZEUG ODER NUTZFLUGZEUG NACH DEN HINWEISSCHILDERN, DEN BESCHRIFTUNGEN UND DEM FLUGHANDBUCH ZU BETREIBEN

KATEGORIE NORMALFLUGZEUG UND NUTZFLUGZEUG:

HÖCHSTZULÄSSIGES GEWICHT	955 kg
MANÖVERGESCHWINDIGKEIT V_A	227 km/h - 122 kt
HÖCHSTZULÄSSIGES GESCHWINDIGKEIT V_{NE}	306 km/h - 165 kt
GRENZGESCHWINDIGKEIT BEI AUSGEFAHRENNEN LANDEKLAPPEN V_{FE}	176 km/h - 95 kt

MAXIMALES LASTENVIELFACHES:

-KATEGORIE NORMALFLUGZEUG							
BEI EINGEFARENEN LANDEKLAPPEN	-1,5	A	A	n	n	+3,8	
BEI HERUNTERGEFAHRENNEN LANDEKLAPPEN	0	A	n	A	A	+2	
-KATEGORIE NUTZFLUGZEUG							
BEI EINGEFARENEN LANDEKLAPPEN	1,8	A	n	A	A	+4,4	
BEI HERUNTERGEFAHRENNEN LANDEKLAPPEN	0	A	n	A	A	+2	

• KUNSTFLUG IN DER KATEGORIE NORMALFLUGZEUG IST VERBOTEN.

• NUR IN DER KATEGORIE NUTZFLUGZEUG SIND FOLGENDE KUNSTFLUGFIGUREN GESTATTET:

	ANFANGS
	GESCHWINDIGKEIT
KERZEN	240 km/h - 130 kt
LANGSAM ACHT	230 km/h - 124 kt
STEILKURVEN	200 km/h - 108 kt
ABRISSMANÖVER	

• TRÜDELN IST SOWOHL FÜR KATEGORIE NORMALFLUGZEUG ALS AUCH FÜR KATEGORIE NUTZFLUGZEUG VERBOTEN.

• DIE MARKIERUNGEN, HINWEISSCHILDER UND BESCHRIFTUNGEN ENTSPRECHEN DER KATEGORIE NORMALFLUGZEUG UND NUTZFLUGZEUG.

020

INSTRUCTION
FIGURE 1D

11-32-01

FIG. 1D

PAGE 0 R

NOV 30/18

FIG.ITEM	PART NUMBER	NOMENCLATURE	EFFECT FROM TO	UNITS PER ASSY	OBS
1D- 1	TF11-32-01-01D-001	INSTRUCTION		RF	
10	TB09 72802000	.PLACARD FRENCH		1	
20	TB09 72802001	.PLACARD GERMAN		1	

- ITEM NOT ILLUSTRATED

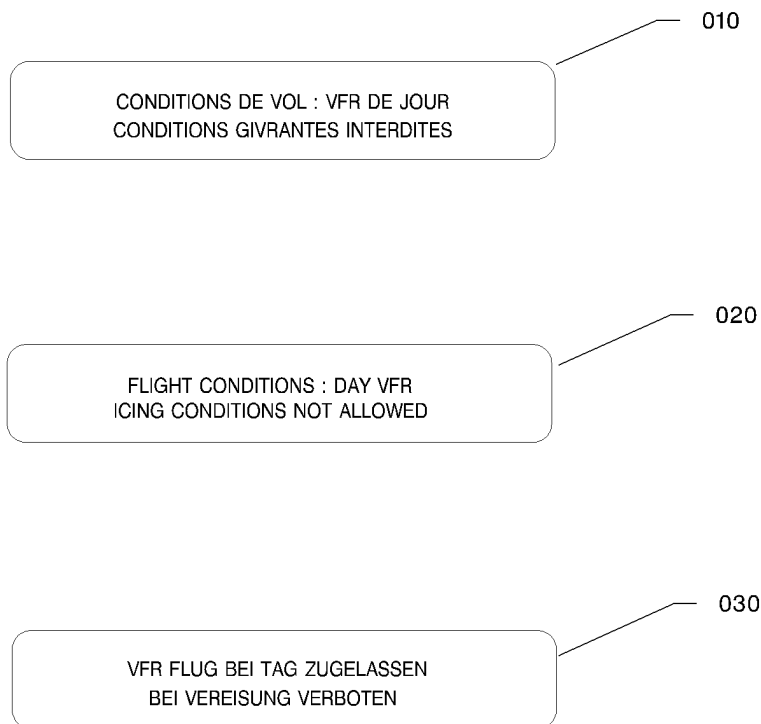
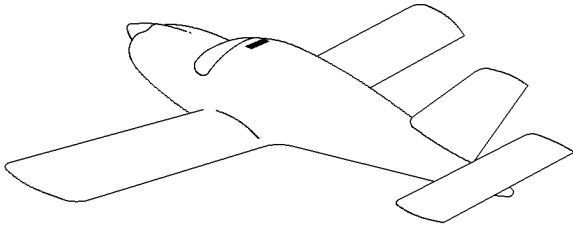
11-32-01

FIG. 1D

PAGE 1 R

NOV 30/18

S/N 948 - 9999 NOT VALID FOR ENGLISH-SPEAKING COUNTRIES, WITH OPTION OPT10 D856



I4113002AAA HUZ4301

FLIGHT CONDITIONS
FIGURE 1

11-32-02

FIG. 1

PAGE 0 R

NOV 30/18

FIG.ITEM	PART NUMBER	NOMENCLATURE	EFFECT FROM TO	UNITS PER ASSY	OBS
1 - 1 10	TB11-32-02-01-001 TB10 72029103	1234567 FLIGHT CONDITIONS .PLACARD		RF 1	
20	TB10 72029104	FRENCH .PLACARD ENGLISH-SPEAKING COUNTRIES		1	
30	TB10 72029105	.PLACARD GERMAN		1	

- ITEM NOT ILLUSTRATED

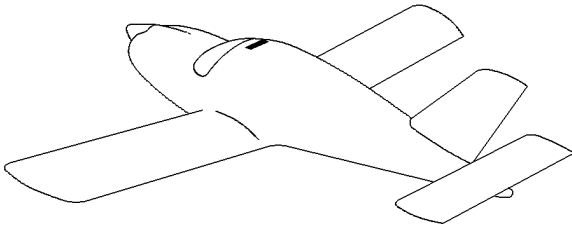
11-32-02

FIG. 1

PAGE 1 R

NOV 30/18

STD



CONDITIONS DE VOL : VFR DE JOUR ET DE NUIT
CONDITIONS GIVRANTES INTERDITES

010

FLIGHT CONDITIONS : DAY AND NIGHT VFR
ICING CONDITIONS NOT ALLOWED

020

VFR FLUG BEI TAG UND NACHT ZUGELASSEN
BEI VEREISUNG VERBOTEN

030

CONDITIONS DE VOL : IFR ET VFR DE JOUR ET DE NUIT
CONDITIONS GIVRANTES INTERDITES

040

FLIGHT CONDITIONS : DAY AND NIGHT IFR AND VFR
ICING CONDITIONS NOT ALLOWED

050

IFR UND VFR FLUG BEI TAG UND NACHT ZUGELASSEN
BEI VEREISUNG VERBOTEN

060

I4113002AAA HUZ4401

FLIGHT CONDITIONS
FIGURE 1A

11-32-02

FIG. 1A

PAGE 0 R

NOV 30/18

FIG.ITEM	PART NUMBER	1234567 	NOMENCLATURE	EFFECT FROM TO	UNITS PER ASSY	OBS
1A- 1	TF11-32-02-01A-001		FLIGHT CONDITIONS		RF	
10	TB10 72900101		.PLACARD FRENCH, VFR		1	
20	TB10 72900100		.PLACARD ENGLISH-SPEAKING COUNTRIES VFR		1	
30	TB10 72900102		.PLACARD GERMAN, VFR		1	
40	TB10 72901101		.PLACARD FRENCH, IFR AND VFR		1	
50	TB10 72901100		.PLACARD ENGLISH-SPEAKING COUNTRIES IFR, VFR		1	
60	TB10 72901102		.PLACARD GERMAN, IFR AND VFR		1	

- ITEM NOT ILLUSTRATED

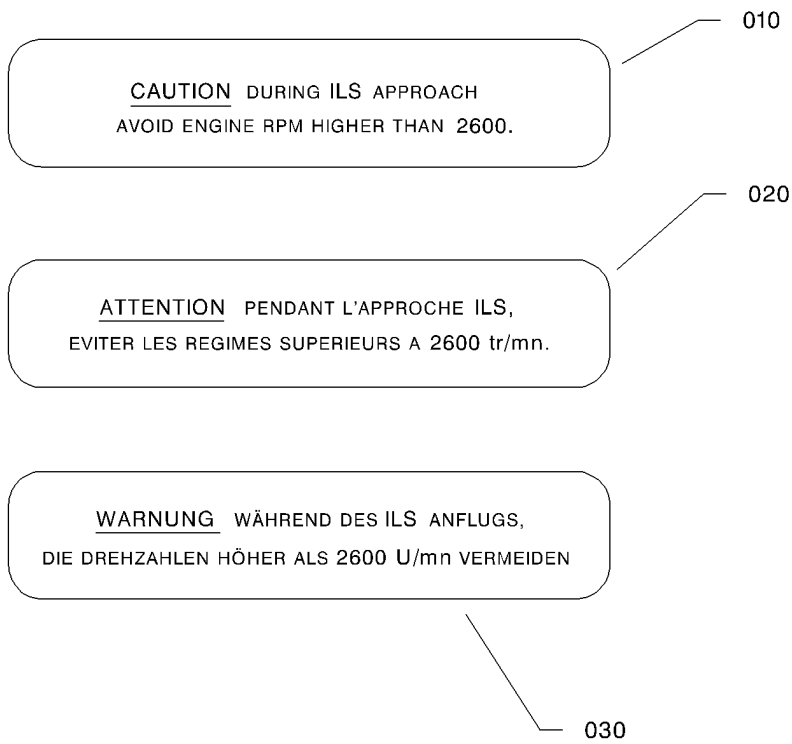
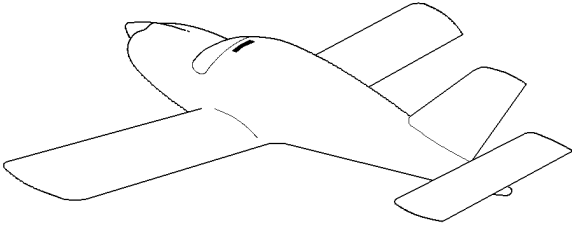
11-32-02

FIG. 1A

PAGE 1 R

NOV 30/18

OPTION



I4113100AAATY4400

FLIGHT CONDITIONS
FIGURE 2

11-32-02

FIG. 2

PAGE 0 R

NOV 30/18

FIG.ITEM	PART NUMBER	NOMENCLATURE	EFFECT FROM TO	UNITS PER ASSY	OBS
2 - 1 10	TB11-32-02-02-001 TB10 65967100	1234567 FLIGHT CONDITIONS .PLACARD		RF 1	R
20	TB10 65967101	ENGLISH-SPEAKING COUNTRIES .PLACARD		1	
30	TB10 65967102	FRENCH .PLACARD GERMAN		1	

- ITEM NOT ILLUSTRATED

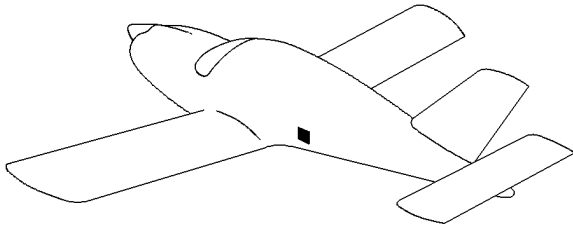
11-32-02

FIG. 2

PAGE 1

NOV 30/18

OPTION



40 kg - 88 lbs MAXIMUM

POUR INTRUCTIONS DE CHARGEMENT
SE REFERER A LE SECTION "MASSE
ET CENTRAGE" DU MANUEL DE VOL

FOR LOADING INSTRUCTIONS
SEE "WEIGHT AND BALANCE
DATA" IN FLIGHT MANUAL

FÜR BELADUNGSVORSCHRIFTEN
SIEHE ABSCHNITT "GEWICHT UND
SCHWERPUNKTLAGE" IM FLUGHANDBUCH.

010

65 kg - 143 lbs MAXIMUM

POUR INTRUCTIONS DE CHARGEMENT
SE REFERER A LA SECTION "MASSE
ET CENTRAGE" DU MANUEL DE VOL

FOR LOADING INSTRUCTIONS
SEE "WEIGHT AND BALANCE
DATA" IN FLIGHT MANUAL

FÜR BELADUNGSVORSCHRIFTEN
SIEHE ABSCHNITT "GEWICHT UND
SCHWERPUNKTLAGE" IM FLUGHANDBUCH.

010A

14113006AAAEEUZ4301

CARGO COMPARTMENT DOOR
FIGURE 1

11-32-03

FIG. 1

PAGE 0 R

NOV 30/18

FIG.ITEM	PART NUMBER	NOMENCLATURE	EFFECT FROM TO	UNITS PER ASSY	OBS
1 - 1	TF11-32-03-01-001	CARGO COMPARTMENT DOOR		RF	
10	TB09 72003100	.LABEL S/N 1 - 399, 413		1	
10A	TB10 72048100	.LABEL S/N 400 - 412, 414 - 9999		1	OR

- ITEM NOT ILLUSTRATED

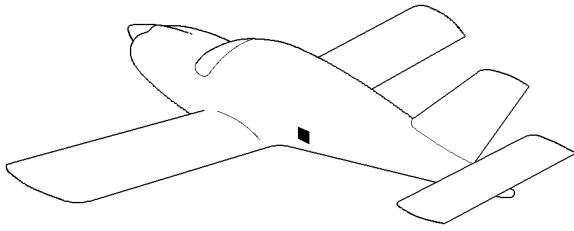
11-32-03

FIG. 1

PAGE 1 R

NOV 30/18

S/N 1 - 9999 PRE-MOD. 151



010

65 kg MÁXIMO

PARA INSTRUÇÕES DE CARREGAMENTO
CONSULTAR A SEÇÃO DE PESO
E BALANCEAMENTO DO MANUAL DE V6O

FOR LOADING INSTRUCTIONS
SEE "WEIGHT AND BALANCE
DATA" IN FLIGHT MANUAL

FÜR BELADUNGSVORSCHRIFTEN
SIEHE ABSCHNITT "GEWICHT UND
SCHWERPUNKTLAGE" IM FLUGHANDBUCH.

010A

65 kg MÁXIMO

PARA INSTRUÇÕES DE CARREGAMENTO
CONSULTAR A SEÇÃO DE PESO
E CENTRAGEM DO MANUAL DE VOO

FOR LOADING INSTRUCTIONS
SEE "WEIGHT AND BALANCE
DATA" IN FLIGHT MANUAL

FÜR BELADUNGSVORSCHRIFTEN
SIEHE ABSCHNITT "GEWICHT UND
SCHWERPUNKTLAGE" IM FLUGHANDBUCH.

14113006AAA EUZ4502

CARGO COMPARTMENT DOOR
FIGURE 1A

11-32-03

FIG. 1A

PAGE 0 R

NOV 30/18

FIG.ITEM	PART NUMBER	NOMENCLATURE	EFFECT FROM TO	UNITS PER ASSY	OBS
1A- 1	TF11-32-03-01A-001	CARGO COMPARTMENT DOOR		RF	
10	TB10 7292613000	.LABEL		1	NP
		RPLD BY TB10 7292615700			
10A	TB10 7292615700	.LABEL		1	OR
		RPLS TB10 7292613000			

- ITEM NOT ILLUSTRATED

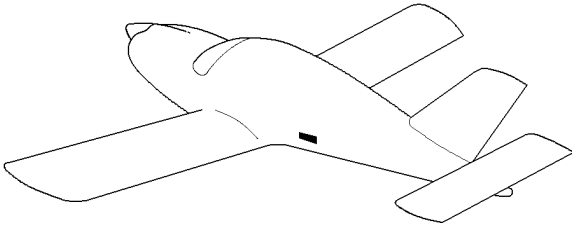
11-32-03

FIG. 1A

PAGE 1 R

NOV 30/18

BRAZIL, S/N 400 - 412, 414 - 9999



010

65 kg _ 143 lbs MAXIMUM

POUR INSTRUCTIONS DE CHARGEMENT SE REFERER A LA SECTION "MASSE ET CENTRAGE" DU MANUEL DE VOL.	FOR LOADING INSTRUCTIONS SEE "WEIGHT AND BALANCE DATA" IN FLIGHT MANUAL.	FÜR BELADUNGSVORSCHRIFTEN SIEHE ABSCHNITT "GEWICHT UND SCHWERPUNKTLAGE" IM FLUGHANDBUCH
---	--	---

I4113100AAAATY4500

CARGO COMPARTMENT DOOR
FIGURE 1B

11-32-03

FIG. 1B

PAGE 0 R

NOV 30/18

FIG.ITEM	PART NUMBER	NOMENCLATURE	EFFECT FROM TO	UNITS PER ASSY	OBS
1B- 1 10	TF11-32-03-01B-001 TB10 7207210000	<div style="text-align: center;"> 1234567 </div> CARGO COMPARTMENT DOOR .LABEL		RF 1	

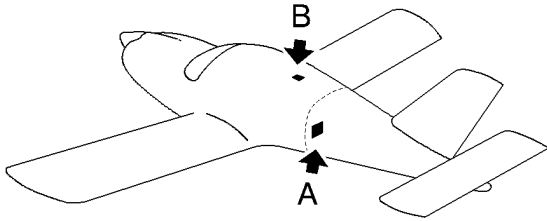
- ITEM NOT ILLUSTRATED

11-32-03

FIG. 1B

PAGE 1 R


NOV 30/18



(A)

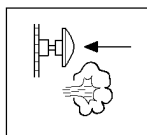
Services commerciaux Commercial Department 6 et 8, Rue Mazenod 69003 LYON Tél 78.60.07.35 Telex : 900810F	VERILAC	Usine Fabrication Manufacturing Factory : 01160 PONT-D' AIN Tél : 74.39.01.44	
— Peintures — Laques — Paint — Lacquer —			
Blanc neige Snow white	58204 <input type="checkbox"/>	Brun isard Isard brown	58241 <input type="checkbox"/>
Gris tempête Storm grey	58229 <input type="checkbox"/>	Bleu torrent Torrent blue	58272 <input type="checkbox"/>
Jaune Bigorre "Bigorre" yellow	58233 <input type="checkbox"/>	Bleu lac Lake blue	58275 <input type="checkbox"/>
Rouge Basque "Basque" red	58234 <input type="checkbox"/>	Vert pâturage Grazing green	58287 <input type="checkbox"/>
Orange couchant Orange setting sun	58240 <input type="checkbox"/>	Vert sapin Fir green	58289 <input type="checkbox"/>
Or Gold	<input type="checkbox"/>		

010

 La Peinture Haute Technologie Aerospace Coutings ZI 09100 PAMIERES France Tél(33) 05 61 60 18 18 - Fax(33) 05 61 60 23 30	
RAL 9016 <input type="checkbox"/> Blanc White	12150000 <input type="checkbox"/> Vernis
RAL 9010 <input type="checkbox"/> Blanc White	<input type="checkbox"/>
12970000 <input type="checkbox"/> Bleu Monaco Monaco Blue	<input type="checkbox"/>
12970628 <input type="checkbox"/> Vin Wine	<input type="checkbox"/>
12970644 <input type="checkbox"/> Bleu Azur Azur Blue	<input type="checkbox"/>
12922146 <input type="checkbox"/> Rouge Basque Basque Red	<input type="checkbox"/>
12970714 <input type="checkbox"/> Ming Blue	<input type="checkbox"/>
12970510 <input type="checkbox"/> Platinum	<input type="checkbox"/>
12920001 <input type="checkbox"/> Pearlescent diamond	<input type="checkbox"/>
12970620 <input type="checkbox"/> April green	RAL 9006 <input type="checkbox"/> Light aluminium
12970630 <input type="checkbox"/> Seminole red	12921025 <input type="checkbox"/> Or SOCATA
RAL 9011 <input type="checkbox"/> Noir Black	RAL 9007 <input type="checkbox"/> Grey aluminium

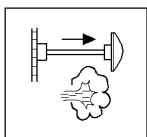
 5, chemin de Charpenay - JANNEYRIAS-38280 VILLETTE D'ANTHON - Tél.78.32.21.77			
BLANC WHITE VERKEHRSWEIB	RAL9016S <input type="checkbox"/>	BLEU BLUE KOBALTBLAU	RAL5013 <input type="checkbox"/>
JAUNE YELLOW ZINKGELB	RAL1018 <input type="checkbox"/>	VERT GREEN MOOSBRUN	RAL6005 <input type="checkbox"/>
ORANGE REINORANGE	RAL2004 <input type="checkbox"/>	VERT GREEN MINZGRUN	RAL6029 <input type="checkbox"/>
ROUGE RED VERKEHRSROT	RAL3020 <input type="checkbox"/>	GRIS GREY SILBERGRAU	RAL7001 <input type="checkbox"/>
BLEU BLUE LICHTBLAU	RAL5012 <input type="checkbox"/>	MARRON BROWN ROTBRAUN	RAL8012 <input type="checkbox"/>

020



040

(B)



050

030

MISCELLANEOUS
FIGURE 1

11-32-04

FIG. 1

PAGE 0 R

NOV 30/18

FIG.ITEM	PART NUMBER	NOMENCLATURE		EFFECT FROM TO	UNITS PER ASSY	OBS
		1234567 				
1 - 1	TB11-32-04-01-001		MISCELLANEOUS		RF	
10	TB10 06000102		.LABEL		1	
20	4853901988		.LABEL		1	
30	TB10 0600011800		.LABEL		1	
40	TB10 72500112		.LABEL		1	
			S/N 1 - 399			
50	TB10 72500111		.LABEL		1	
			S/N 400 - 479			

- ITEM NOT ILLUSTRATED

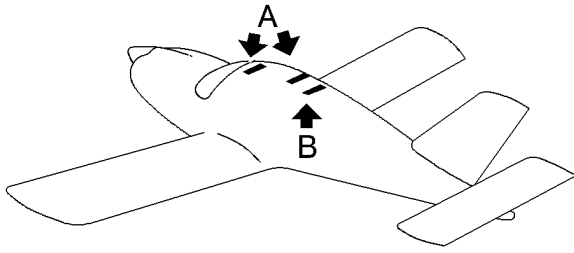
11-32-04

FIG. 1

PAGE 1 R

NOV 30/18

S/N 1 - 9999



(A)

010

SMOKING PROHIBITED DURING
FUELLING AND TAKE-OFF AND LANDING

(B)

020

MASSE MAXI POUR 3 PASSAGERS AUX PLACES AR. } 175 kg
 MAX GEWICHT FÜR 3 PASSAGIERE AUF DEM RÜCKSITZ }
 MAX WEIGHT FOR 3 PASSENGERS ON REAR SEATS } 386 lbs

030

MASSE MAXI AUX PLACES AR. MAX GEWICHT AUF DEM RÜCKSITZ MAX WEIGHT ON REAR SEATS			
CATEGORIE "N"	120 kg	CATEGORIE "N"	100 kg
KATEGORIE "N"	265 lbs	KATEGORIE "N"	220 lbs
CATEGORY "N"		CATEGORY "N"	

14113002AAAAYZ4301

MISCELLANEOUS
FIGURE 2

11-32-04

FIG. 2

PAGE 0 R

NOV 30/18

FIG.ITEM	PART NUMBER	1234567 	NOMENCLATURE	EFFECT FROM TO	UNITS PER ASSY	OBS
2 - 1	TF11-32-04-02-001		MISCELLANEOUS		RF	
10	TB10 72933100		.PLACARD AUSTRALIA		AR	
20	TB10 72065102		.PLACARD WITHOUT NOISE REDUCTION OPTION		1	
30	TB09 72803100		.PLACARD WITH NOISE REDUCTION		1	

- ITEM NOT ILLUSTRATED

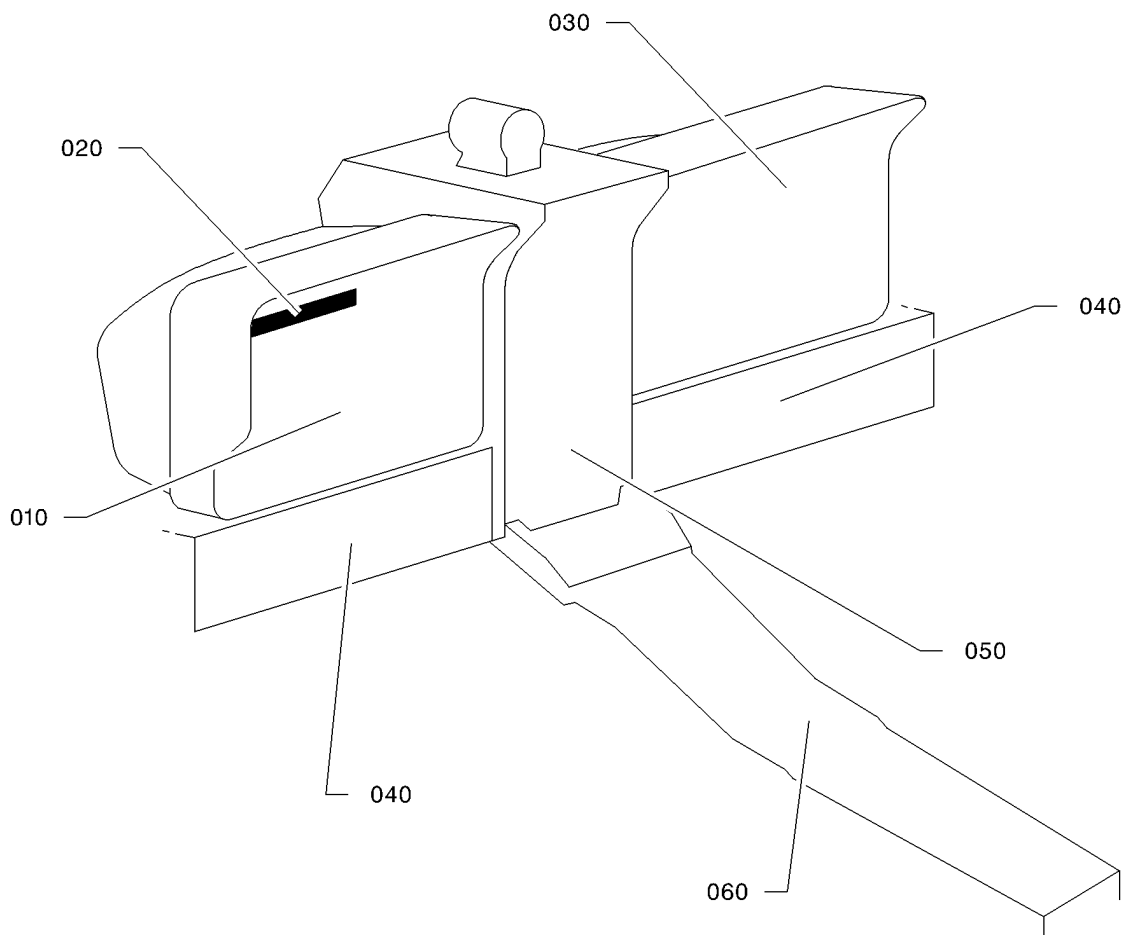
11-32-04

FIG. 2

PAGE 1 R

NOV 30/18

OPTION



14113000AAAAGWZ4300

AREA 250
FIGURE 1

11-33-00

FIG. 1
PAGE 0 R

NOV 30/18

FIG.ITEM	PART NUMBER	1234567 	NOMENCLATURE	EFFECT FROM TO	UNITS PER ASSY	OBS
1 - 1	TB11-33-00-01-001		AREA 250		RF	
10	TB11-33-01-01		.L.H. INSTRUMENT PANEL		1	
20	TB11-33-02-01		.VISUAL ALARM PANEL		1	
30	TB11-33-03-01		.R.H. INSTRUMENT PANEL		1	
40	TB11-34-00-01		.STRIPS		1	
50	TB11-35-00-01		.CENTRAL CONSOLE		1	
60	TB11-36-00-01		.PEDESTAL		1	
- 70	TB11-37-00-01		.MISCELLANEOUS		1	

- ITEM NOT ILLUSTRATED

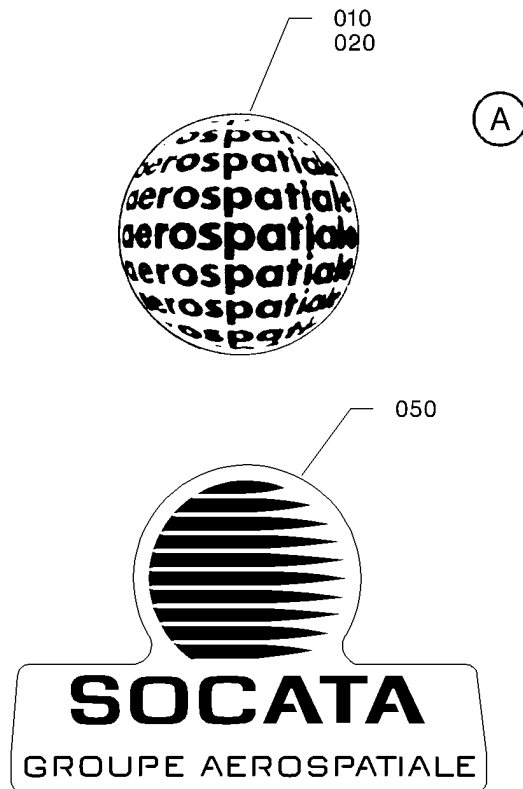
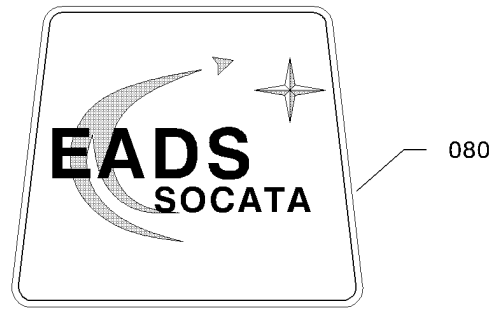
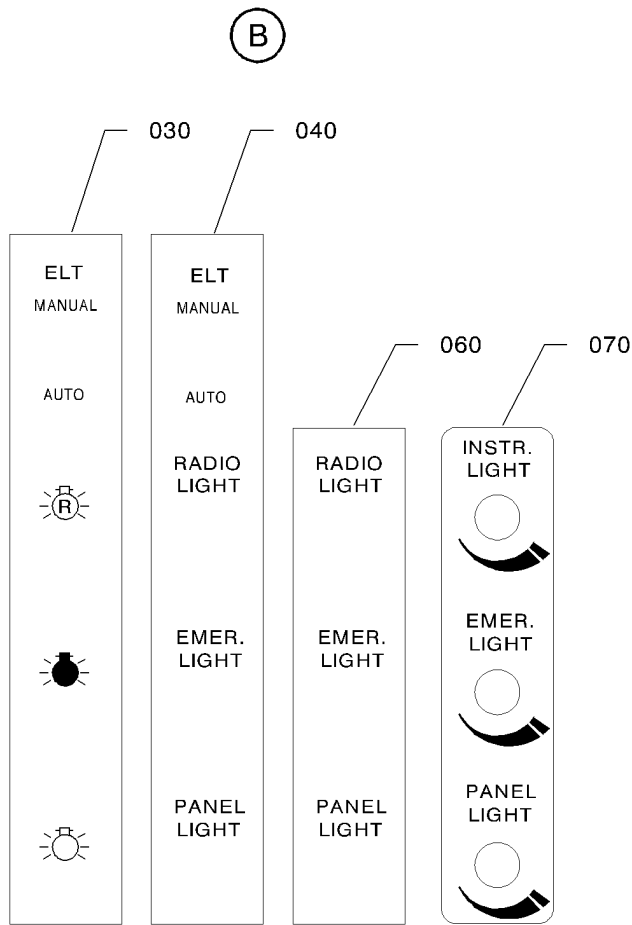
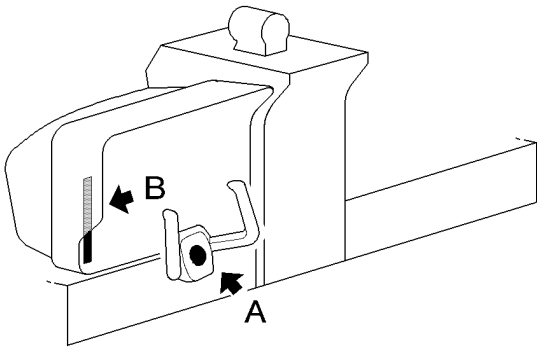
11-33-00

FIG. 1

PAGE 1 R

NOV 30/18

S/N 1 - 9999



I4113003AAA CVZ4305

L.H. INSTRUMENT PANEL
FIGURE 1

11-33-01

FIG. 1
PAGE 0 R

NOV 30/18

FIG.ITEM	PART NUMBER	NOMENCLATURE		EFFECT FROM TO	UNITS PER ASSY	OBS
		1234567 				
1 - 1	TF11-33-01-01-001		L.H. INSTRUMENT PANEL		RF	
10	TB10 27006120		.PLACARD - GOLD MARKINGS S/N 1 - 1624 SANS WITHOUT CHRONOMETER		1	
20	TB10 27006121		.PLACARD - SILVER MARKINGS S/N 1 - 1624 SANS WITHOUT CHRONOMETER		1	
30	TB09 72205101		.PLACARD S/N 1 - 764, 766 - 878, NOT VALID FOR ENGLISH-SPEAKING COUNTRIES		1	
40	TB09 72205100		.PLACARD S/N 1 - 764, 766 - 878, ENGLISH-SPEAKING COUNTRIES		1	
50	TB10 27048100		.PLACARD WITHOUT CHRONOMETER, WITH COVER TB10 2700640550		1	
60	TB09 7220510200		.PLACARD S/N 1 - 764, 766 - 878, ENGLISH-SPEAKING COUNTRIES		1	
70	TB09 7220510300		.PLACARD POST-MOD. 151		1	
80	TB10 72074101		.PLACARD WITHOUT CHRONOMETER, WITH COVER TB10 27006405		1	

- ITEM NOT ILLUSTRATED

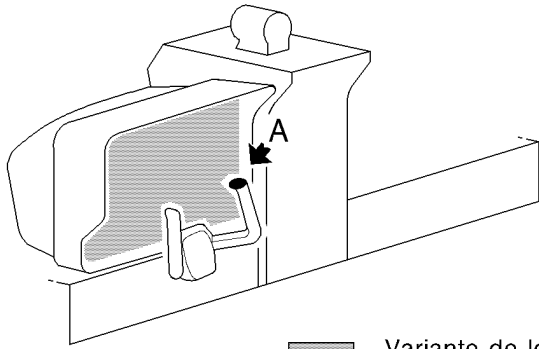
11-33-01


FIG. 1

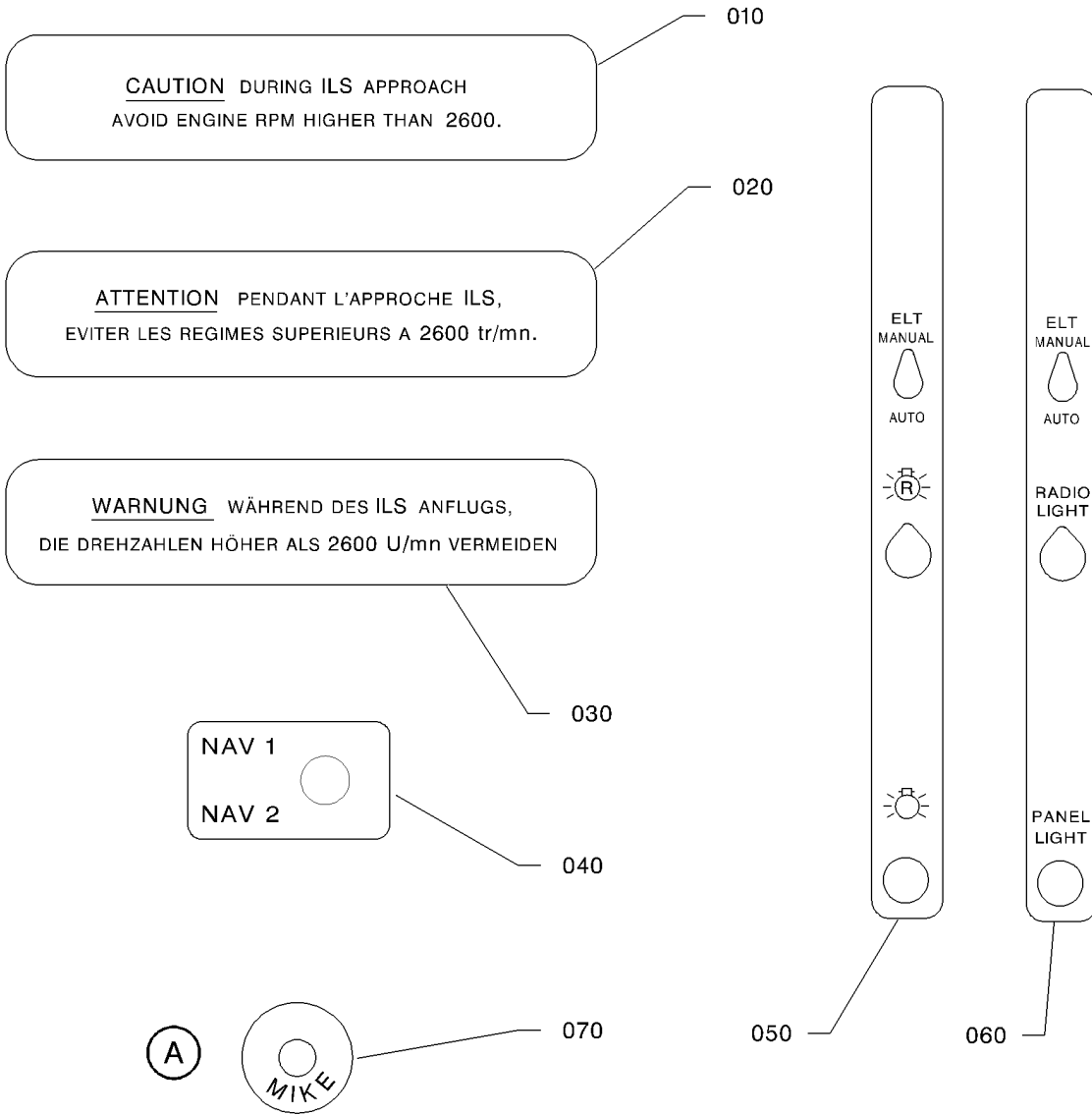
PAGE 1 R

NOV 30/18

S/N 1 - 9999



 Variante de localisation
Alternate location



14113003AAAUUZ4301

L.H. INSTRUMENT PANEL
FIGURE 2

11-33-01

FIG. 2
PAGE 0 R
NOV 30/18

FIG.ITEM	PART NUMBER	NOMENCLATURE	EFFECT FROM TO	UNITS PER ASSY	OBS
		1234567 			
2 - 1	TF11-33-01-02-001	L.H. INSTRUMENT PANEL		RF	
10	TB10 65967100	.PLACARD ENGLISH-SPEAKING COUNTRIES		1	
20	TB10 65967101	.PLACARD FRENCH		1	
30	TB10 65967102	.PLACARD GERMAN		1	
40	TB10 72837106	.PLACARD RMI		1	
50	TB09 72910100	.PLACARD S/N 765, 879 - 9999, NOT VALID FOR ENGLISH-SPEAKING COUNTRIES, ADDITIONAL LIGHTING		1	
60	TB09 72910101	.PLACARD S/N 765, 879 - 9999, ENGLISH-SPEAKING COUNTRIES, ADDITIONAL LIGHTING		1	
70	TB10 72918100	.LABEL SWITZERLAND		1	

- ITEM NOT ILLUSTRATED

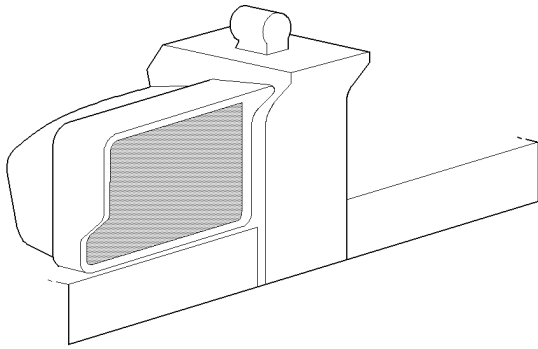
11-33-01


FIG. 2

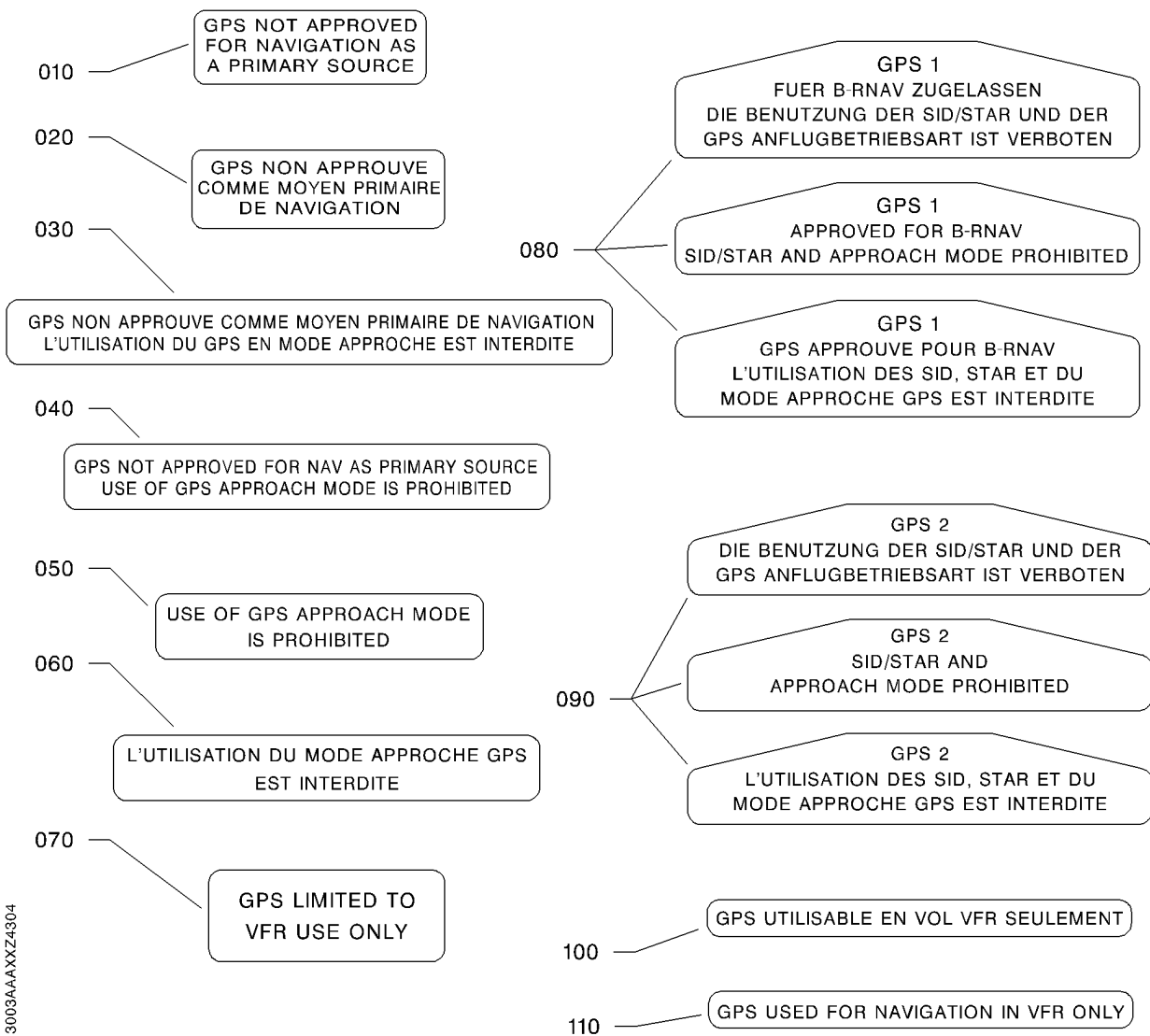
PAGE 1 R

NOV 30/18

OPTION



 Variante de localisation
Alternate location



I4113003AAAXZ4304

L.H. INSTRUMENT PANEL
FIGURE 3

11-33-01

FIG.ITEM	PART NUMBER	NOMENCLATURE		EFFECT FROM TO	UNITS PER ASSY	OBS
		1234567 				
3 - 1	TB11-33-01-03-001		L.H. INSTRUMENT PANEL		RF	
10	TB10 72804101		.LABEL ENGLISH-SPEAKING COUNTRIES		1	
20	TB10 72804105		.LABEL NOT VALID FOR ENGLISH-SPEAKING COUNTRIES		1	
30	TB10 72804102		.LABEL NOT VALID FOR ENGLISH-SPEAKING COUNTRIES		1	
40	TB10 72804103		.LABEL ENGLISH-SPEAKING COUNTRIES		1	
50	TB10 72804112		.LABEL ENGLISH-SPEAKING COUNTRIES		1	
60	TB10 72804113		.LABEL NOT VALID FOR ENGLISH-SPEAKING COUNTRIES		1	
70	TB20 72823100		.LABEL ENGLISH-SPEAKING COUNTRIES		1	
80	TB10 7280411500		.LABEL PRE-CHANGE 20332		1	
90	TB10 7280411600		.LABEL PRE-CHANGE 20332		1	
100	TB10 72804106		.LABEL NOT VALID FOR ENGLISH-SPEAKING COUNTRIES		1	
110	TB10 72804109		.LABEL ENGLISH-SPEAKING COUNTRIES		1	
120	TB10 7280412000		.LABEL POST-CHANGE 20332		1	

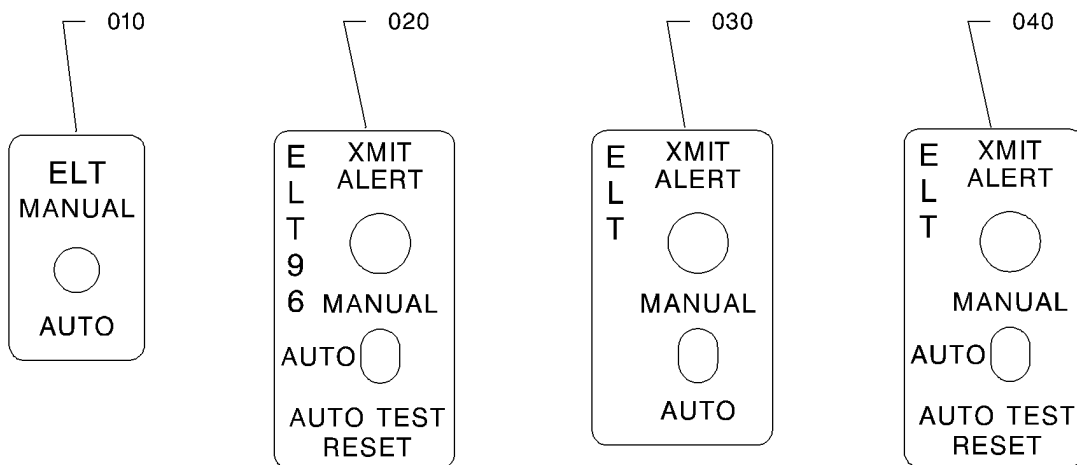
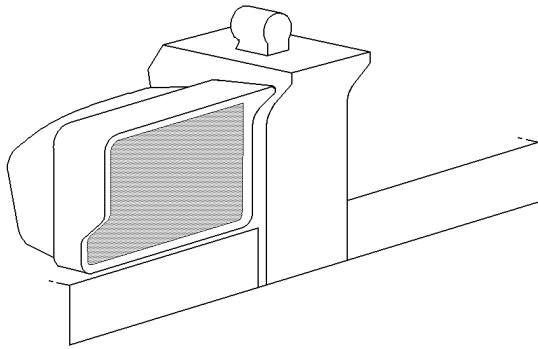
- ITEM NOT ILLUSTRATED

11-33-01

FIG. 3

PAGE 1 R

NOV 30/18



I4113009AAAXXZ24400

L.H. INSTRUMENT PANEL
FIGURE 5

11-33-01

FIG. 5
PAGE 0 R

NOV 30/18

FIG.ITEM	PART NUMBER	NOMENCLATURE		EFFECT FROM TO	UNITS PER ASSY	OBS
		1234567 				
5 - 1	TB11-33-01-05-001		L.H. INSTRUMENT PANEL		RF	
10	TB20 72821103		.LABEL PRE-MOD. 151		1	
- 10A	TB20 7282110800		.LABEL POST-MOD. 151		1	
20	TB20 72821104		.LABEL		1	
30	TB20 72821105		.LABEL		1	
40	TB20 72821107		.LABEL		1	

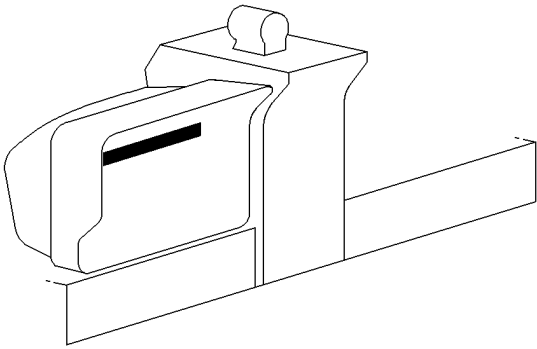
- ITEM NOT ILLUSTRATED

11-33-01

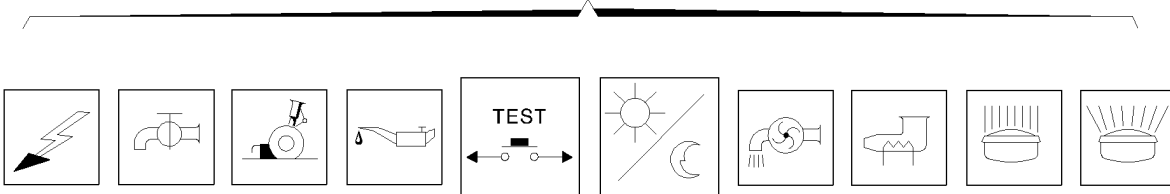
FIG. 5

PAGE 1 R

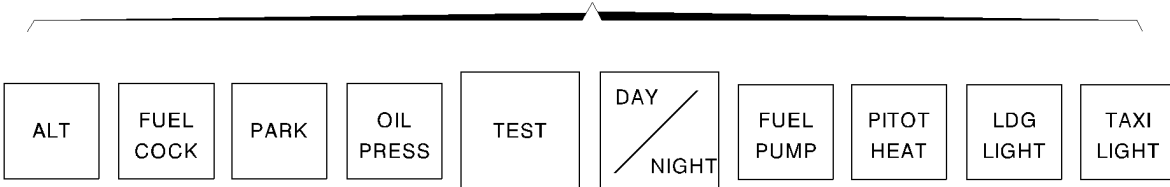
NOV 30/18



010



020



14113000AAAFAFWZ4300

VISUAL ALARM PANEL
FIGURE 1

11-33-02

FIG. 1
PAGE 0 R

NOV 30/18

FIG.ITEM	PART NUMBER	NOMENCLATURE	EFFECT FROM TO	UNITS PER ASSY	OBS
1 - 1 10	TB11-33-02-01-001 TB31-50-01-01	1234567 VISUAL ALARM PANEL .ADVISORY PANEL NOT VALID FOR ENGLISH-SPEAKING COUNTRIES		RF 1	
20	TB31-50-01-01	.ADVISORY PANEL ENGLISH-SPEAKING COUNTRIES		1	

- ITEM NOT ILLUSTRATED

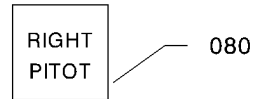
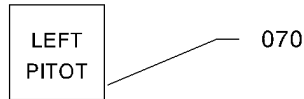
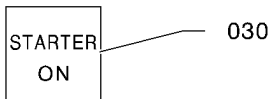
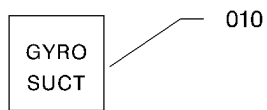
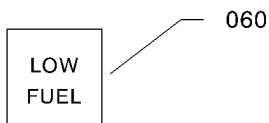
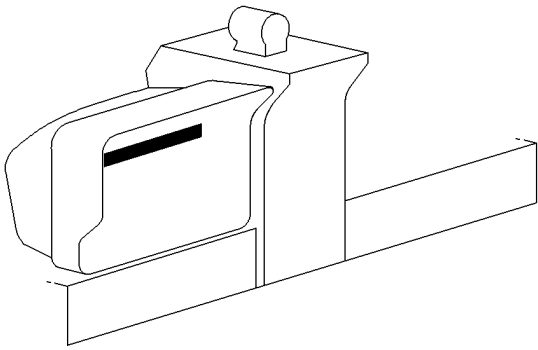
11-33-02

FIG. 1

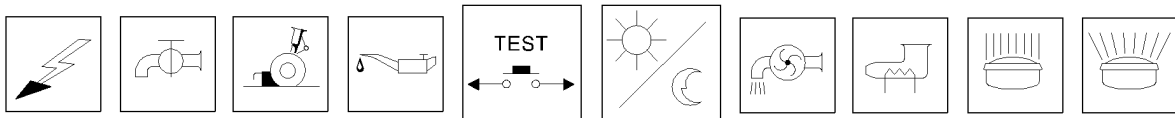
PAGE 1 R

NOV 30/18

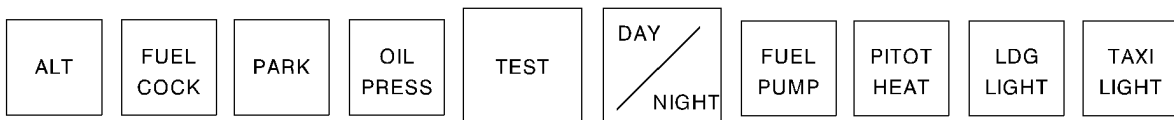
S/N 1 - 587



040



050



I4113000AAA FWZ4400

VISUAL ALARM PANEL
FIGURE 1A

11-33-02

FIG. 1A

PAGE 0 R

NOV 30/18

FIG.ITEM	PART NUMBER	NOMENCLATURE		EFFECT FROM TO	UNITS PER ASSY	OBS
		1234567 				
1A- 1	TF11-33-02-01A-001		VISUAL ALARM PANEL		RF	
10	TB10 78901107		.LABEL ENGLISH-SPEAKING COUNTRIES		1	
20	TB10 72904100		.LABEL NOT VALID FOR ENGLISH-SPEAKING COUNTRIES		1	
30	TB10 72904104		.LABEL ENGLISH-SPEAKING COUNTRIES		1	
40	TB10 72046000		.SET OF LABELS NOT VALID FOR ENGLISH-SPEAKING COUNTRIES		1	
50	TB10 72046001		.SET OF LABELS ENGLISH-SPEAKING COUNTRIES		1	
60	TB20 72824103		.LABEL ENGLISH-SPEAKING COUNTRIES		1	
70	TB20 72919108		.LABEL ENGLISH-SPEAKING COUNTRIES		1	
80	TB20 72919109		.LABEL ENGLISH-SPEAKING COUNTRIES		1	

- ITEM NOT ILLUSTRATED

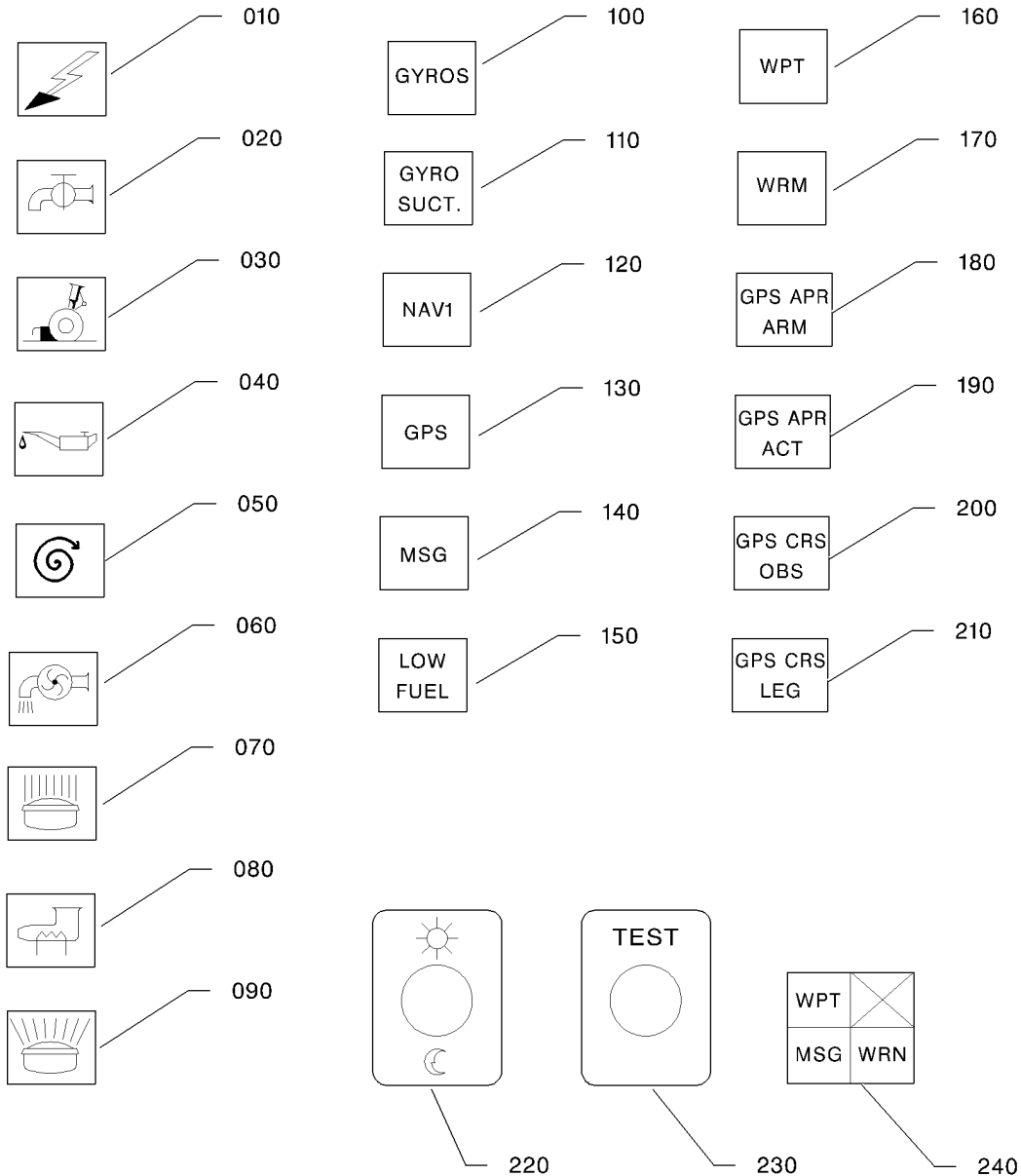
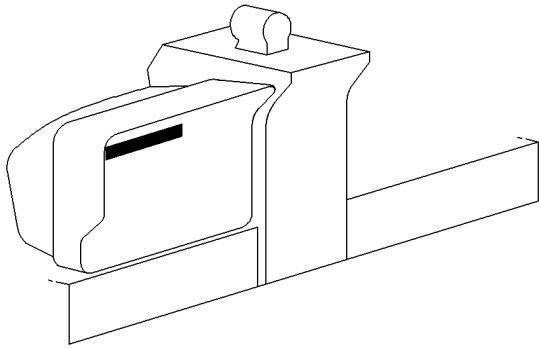
11-33-02

FIG. 1A

PAGE 1 R

NOV 30/18

S/N 588 - 9999 PRE-MOD. 151, NOT VALID FOR GPS



I4113003AAA-WXZ4301

VISUAL ALARM PANEL
FIGURE 1B

11-33-02

FIG. 1B

PAGE 0 R

NOV 30/18

FIG.ITEM	PART NUMBER	NOMENCLATURE		EFFECT FROM TO	UNITS PER ASSY	OBS
		1234567 				
1B- 1	TF11-33-02-01B-001	VISUAL	ALARM PANEL		RF	
10	TB20 72032106	.LABEL			1	
20	TB20 72032107	.LABEL			1	
30	TB20 72032108	.LABEL			1	
40	TB20 72032109	.LABEL			1	
50	TB20 72032103	.LABEL			1	
60	TB20 72032110	.LABEL			1	
70	TB20 72032113	.LABEL			1	
80	TB20 72032111	.LABEL			1	
90	TB20 72032112	.LABEL			1	
100	TB20 72032304	.LABEL			1	
110	TB20 72032204	.LABEL			1	
120	TB20 72032219	.LABEL			1	
130	TB20 72032200	.LABEL			1	
140	TB20 72032222	.LABEL			1	
150	TB20 72032205	.LABEL			1	
160	TB20 72032115	.LABEL			1	
170	TB20 72032214	.LABEL			1	
180	TB20 72032223	.LABEL			1	
190	TB20 72032224	.LABEL			1	
200	TB20 72032225	.LABEL			1	
210	TB20 72032226	.LABEL			1	
220	TB20 72837103	.LABEL			1	
230	TB20 72837105	.LABEL			1	
240	T700A3457016112	.LABEL			1	

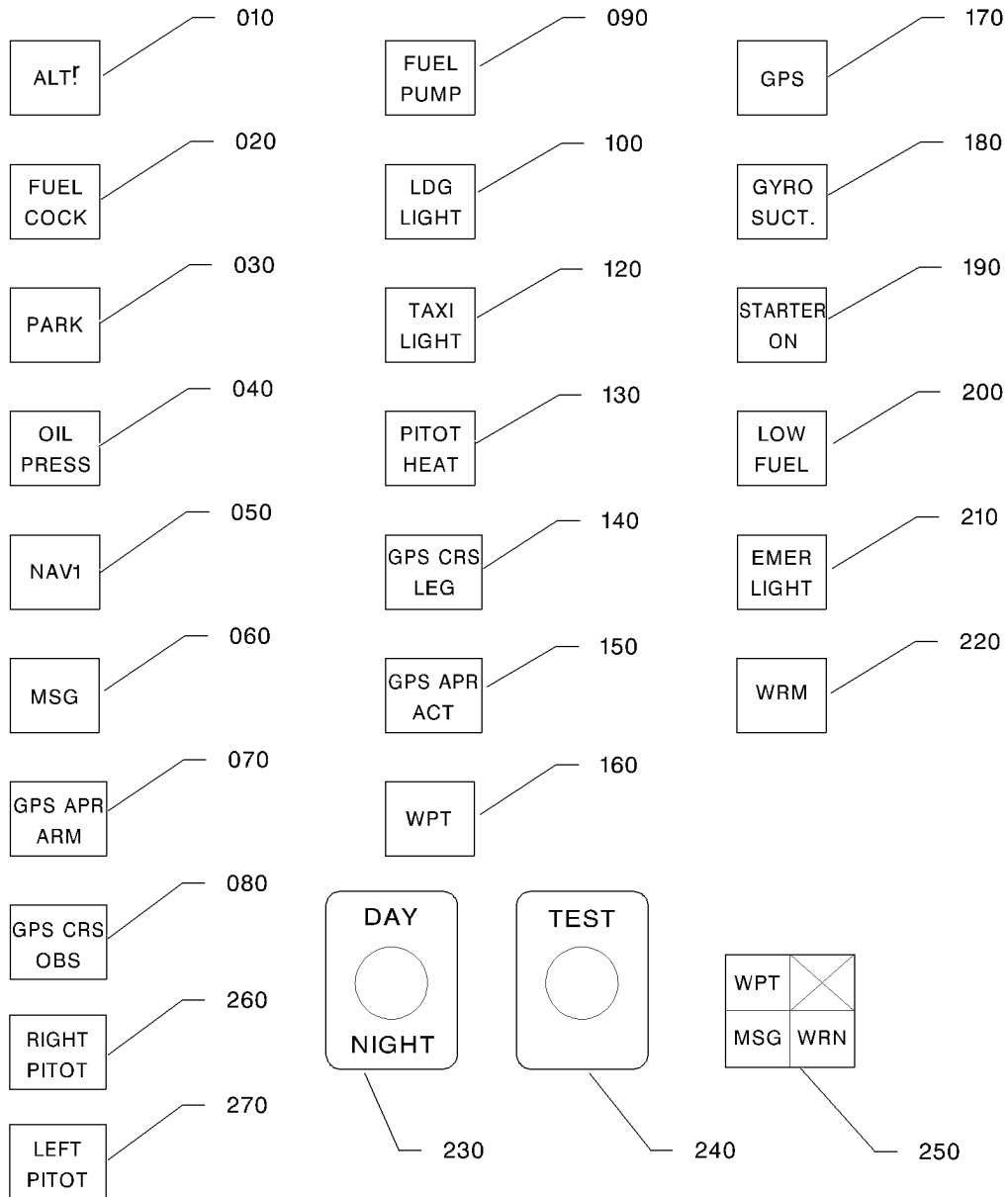
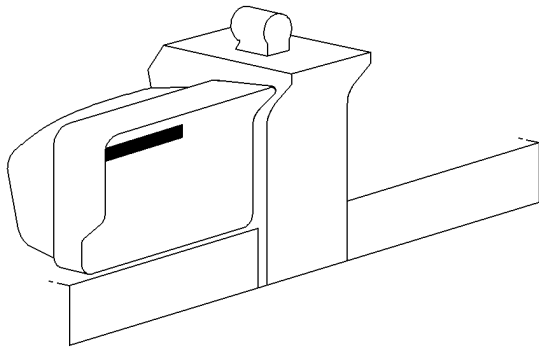
- ITEM NOT ILLUSTRATED

11-33-02

FIG. 1B

PAGE 1 R

NOV 30/18



I4113003AAA WXZ14302

VISUAL ALARM PANEL
FIGURE 1C

11-33-02

FIG. 1C

PAGE 0 R

NOV 30/18

FIG.ITEM	PART NUMBER	NOMENCLATURE						EFFECT FROM TO	UNITS PER ASSY	OBS
		1	2	3	4	5	6			
1C- 1	TF11-33-02-01C-001	VISUAL	ALARM	PANEL					RF	
10	TB20 72032206	.LABEL							1	
20	TB20 72032207	.LABEL							1	
30	TB20 72032208	.LABEL							1	
40	TB20 72032209	.LABEL							1	
50	TB20 72032219	.LABEL							1	
60	TB20 72032222	.LABEL							1	
70	TB20 72032223	.LABEL							1	
80	TB20 72032225	.LABEL							1	
90	TB20 72032210	.LABEL							1	
100	TB20 72032213	.LABEL							1	
120	TB20 72032212	.LABEL							1	
130	TB20 72032211	.LABEL							1	
140	TB20 72032226	.LABEL							1	
150	TB20 72032224	.LABEL							1	
160	TB20 72032215	.LABEL							1	
170	TB20 72032200	.LABEL							1	
180	TB20 72032204	.LABEL							1	
190	TB20 72032203	.LABEL							1	
200	TB20 72032205	.LABEL							1	
210	TB20 72032220	.LABEL							1	
220	TB20 72032214	.LABEL							1	
230	TB20 72837104	.LABEL							1	
240	TB20 72837105	.LABEL							1	
250	T700A3457016112	.LABEL							1	
260	TB20 72032216	.LABEL							1	
270	TB20 72032217	.LABEL							1	

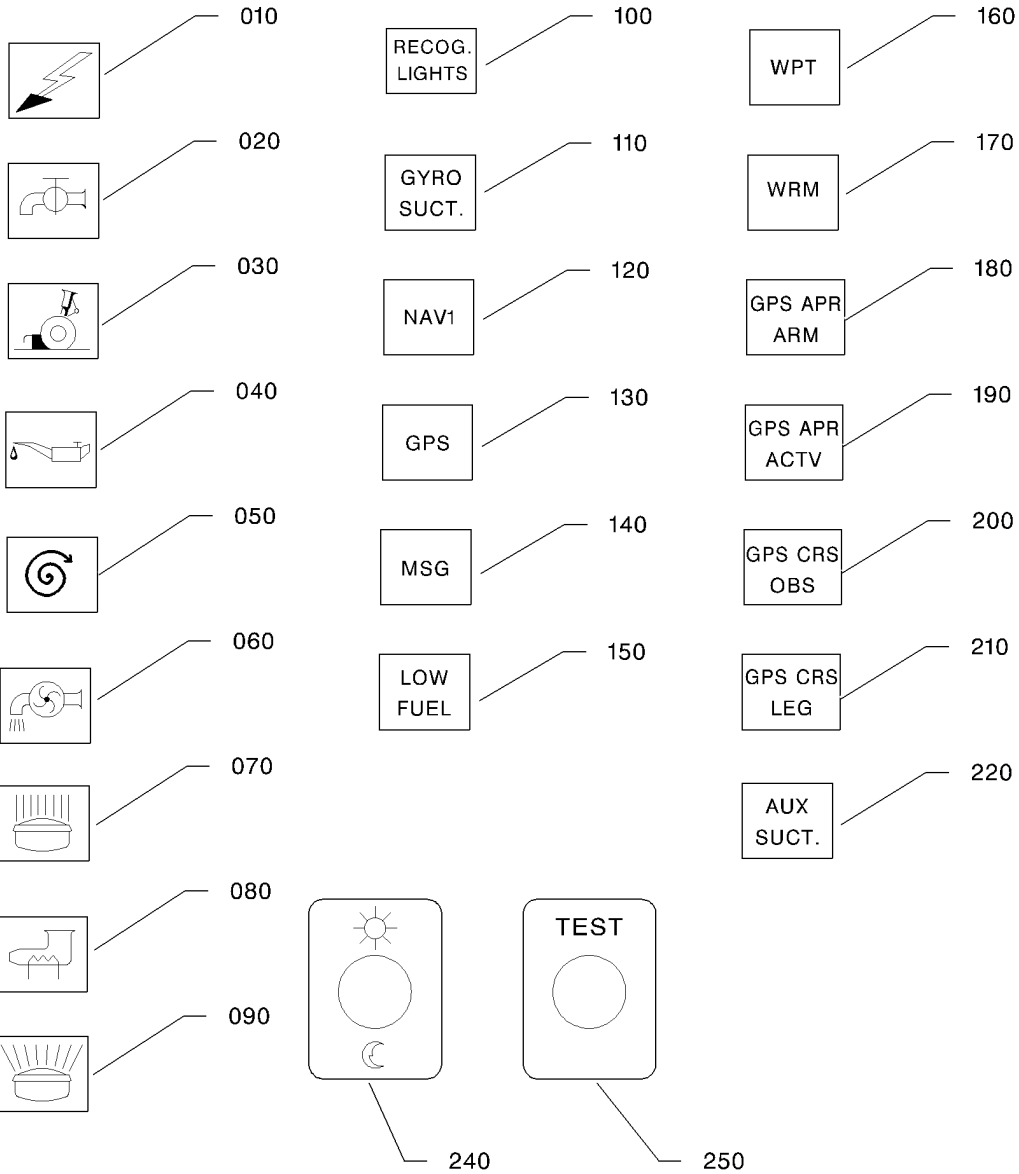
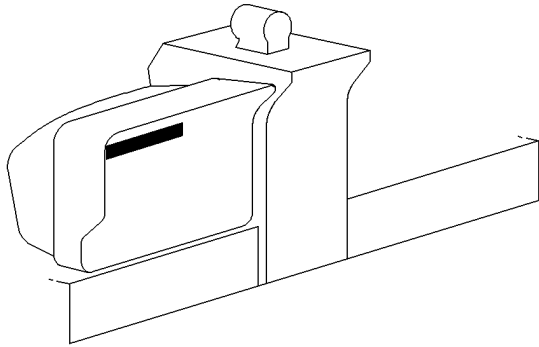
- ITEM NOT ILLUSTRATED

11-33-02

FIG. 1C

PAGE 1 R

NOV 30/18



I4113003AAASTY4300

VISUAL ALARM PANEL
FIGURE 1D

11-33-02

FIG. 1D

PAGE 0 R

NOV 30/18

FIG.ITEM	PART NUMBER	NOMENCLATURE		EFFECT FROM TO	UNITS PER ASSY	OBS
		1234567 				
1D- 1	TF11-33-02-01D-001		VISUAL ALARM PANEL		RF	
10	TB20 72032106		.LABEL		1	
20	TB20 72032107		.LABEL		1	
30	TB20 72032108		.LABEL		1	
40	TB20 72032109		.LABEL		1	
50	TB20 72032103		.LABEL		1	
60	TB20 72032110		.LABEL		1	
70	TB20 72032113		.LABEL		1	
80	TB20 72032111		.LABEL		1	
90	TB20 72032112		.LABEL		1	
100	TB20 7284610200		.LABEL		1	
			OPTION			
110	TB20 72032204		.LABEL		1	
120	TB20 72032219		.LABEL		1	
			OPTION			
130	TB20 72032200		.LABEL		1	
			OPTION			
140	TB20 72032222		.LABEL		1	
			OPTION			
150	TB20 72032205		.LABEL		1	
160	TB20 72032115		.LABEL		1	
			OPTION			
170	TB20 72032214		.LABEL		1	
			OPTION			
180	TB20 72032223		.LABEL		1	
			OPTION			
190	TB20 72032224		.LABEL		1	
			OPTION			
200	TB20 72032225		.LABEL		1	
			OPTION			
210	TB20 72032226		.LABEL		1	
			OPTION			
220	TB20 72032221		.LABEL		1	
			OPTION			
240	TB20 72837103		.LABEL		1	
250	TB20 72837105		.LABEL		1	

- ITEM NOT ILLUSTRATED

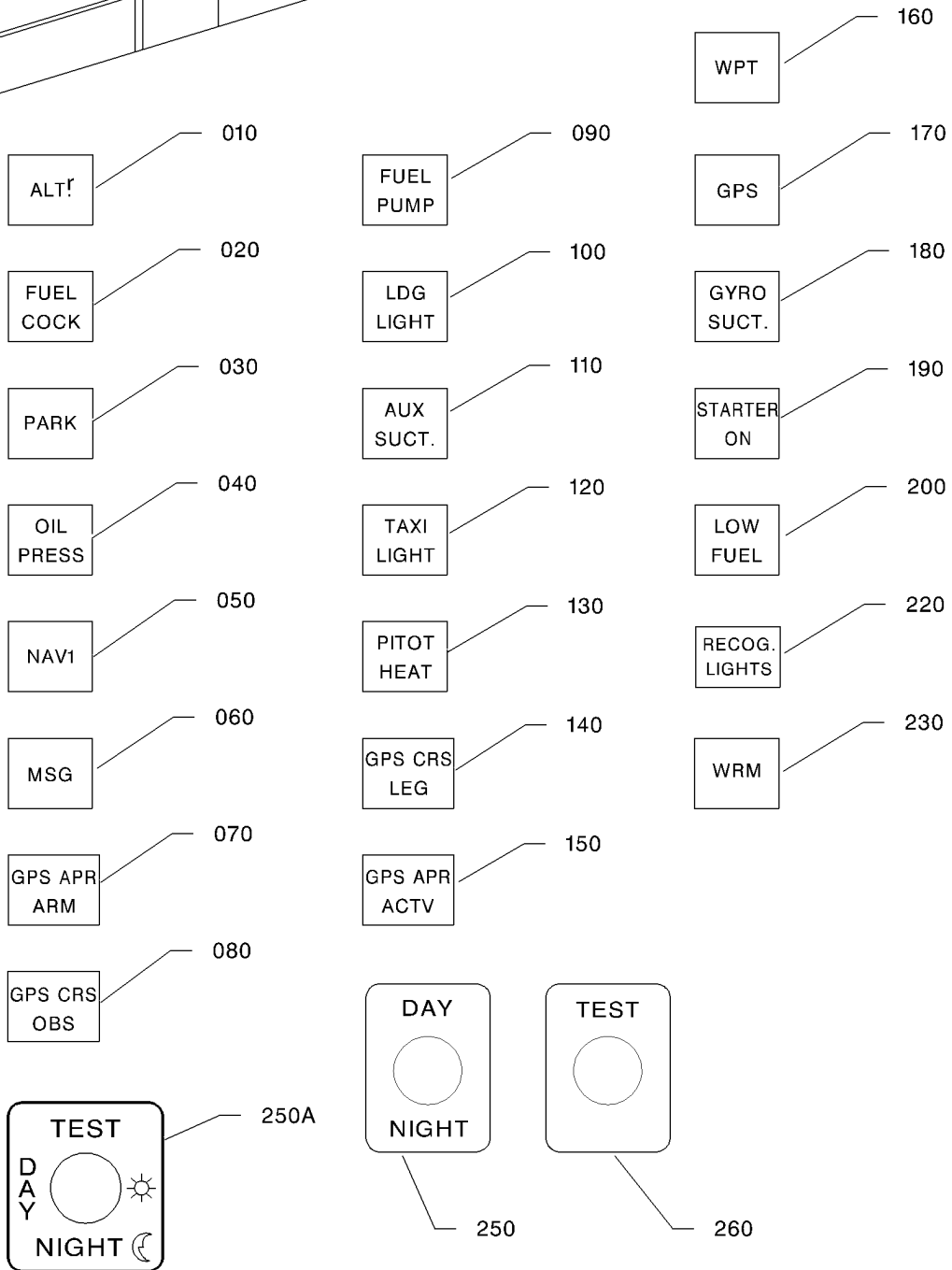
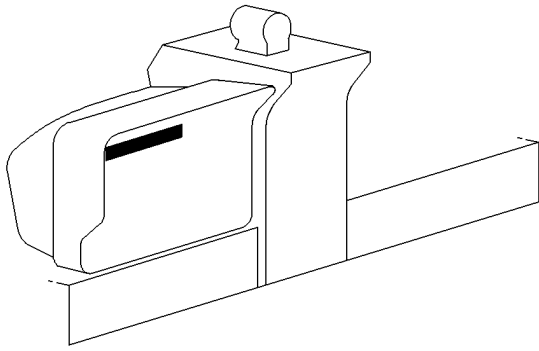
11-33-02

FIG. 1D

PAGE 1 R

NOV 30/18

S/N 1 - 9999 POST-MOD. 151, NOT VALID FOR ENGLISH - SPEAKING COUNTRIES



I4113003AAASTY4500

VISUAL ALARM PANEL
FIGURE 1E

11-33-02

FIG. 1E

PAGE 0 R

NOV 30/18

FIG.ITEM	PART NUMBER	NOMENCLATURE		EFFECT FROM TO	UNITS PER ASSY	OBS
		1234567 				
1E- 1	TF11-33-02-01E-001		VISUAL ALARM PANEL		RF	
10	TB20 72032206		.LABEL		1	
20	TB20 72032207		.LABEL		1	
30	TB20 72032208		.LABEL		1	
40	TB20 72032209		.LABEL		1	
50	TB20 72032219		.LABEL		1	
			OPTION			
60	TB20 72032222		.LABEL		1	
			OPTION			
70	TB20 72032223		.LABEL		1	
			OPTION			
80	TB20 72032225		.LABEL		1	
			OPTION			
90	TB20 72032210		.LABEL		1	
100	TB20 72032213		.LABEL		1	
110	TB20 72032221		.LABEL		1	
			OPTION			
120	TB20 72032212		.LABEL		1	
130	TB20 72032211		.LABEL		1	
140	TB20 72032226		.LABEL		1	
			OPTION			
150	TB20 72032224		.LABEL		1	
			OPTION			
160	TB20 72032215		.LABEL		1	
			OPTION			
170	TB20 72032200		.LABEL		1	
			OPTION			
180	TB20 72032204		.LABEL		1	
190	TB20 72032203		.LABEL		1	
200	TB20 72032205		.LABEL		1	
220	TB20 7284610200		.LABEL		1	
			OPTION			
230	TB20 72032214		.LABEL		1	
			OPTION			
250	TB20 72837104		.LABEL		1	
			VARIANT			
250A	TB20 7283711200		.LABEL		1	
			VARIANT			
260	TB20 72837105		.LABEL		1	

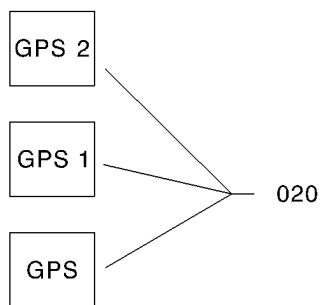
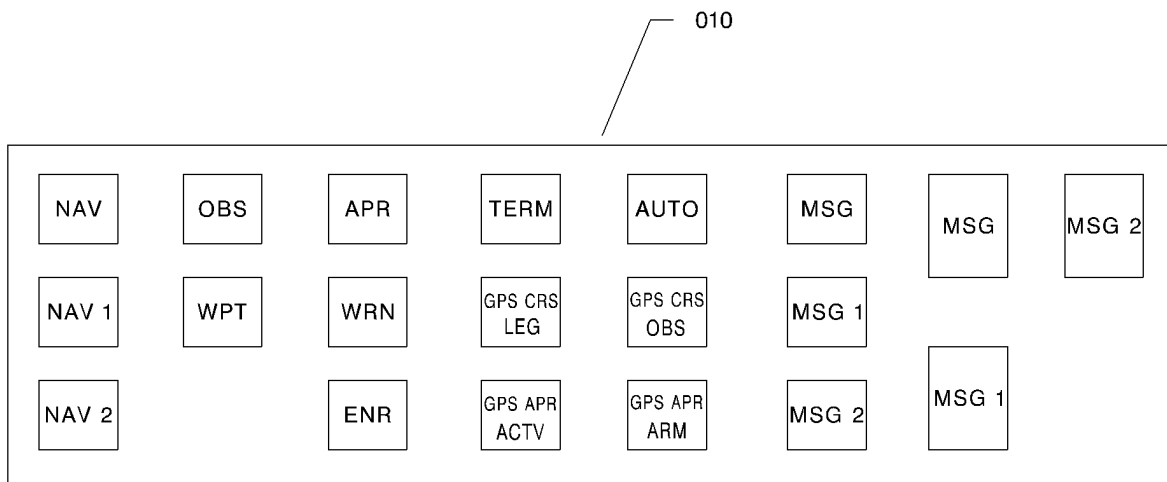
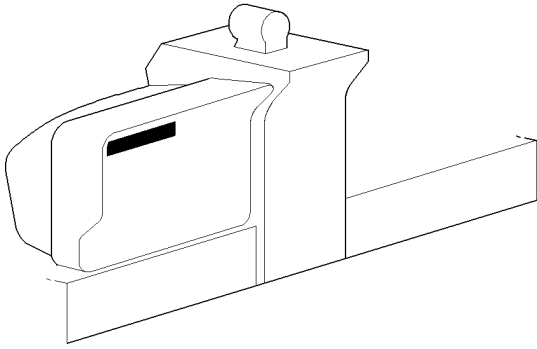
- ITEM NOT ILLUSTRATED

11-33-02

FIG. 1E

PAGE 1 R

NOV 30/18



I4113003AAADVZ14400

VISUAL ALARM PANEL
FIGURE 1F

11-33-02

FIG. 1F

PAGE 0 R

NOV 30/18

FIG.ITEM	PART NUMBER	NOMENCLATURE	EFFECT FROM TO	UNITS PER ASSY	OBS
		1234567 			
1F- 1	TB11-33-02-01F-001	VISUAL ALARM PANEL		RF	
10	TB20 7203223000	.LABEL		1	
20	TB20 7203220100	.LABEL BLACK MARKING ON A BLUE TRANSPARENT BACKGROUND		1	
- 20A	TB20 7203223100	.LABEL BLACK MARKING ON A TRANSPARENT BACKGROUND		1	

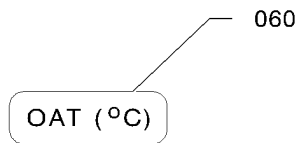
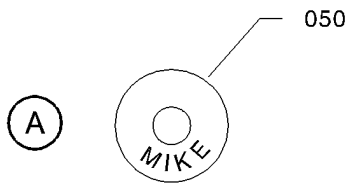
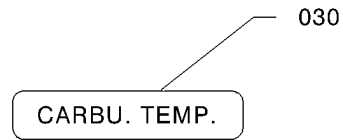
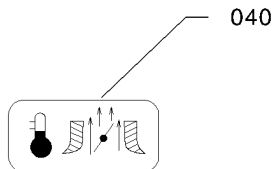
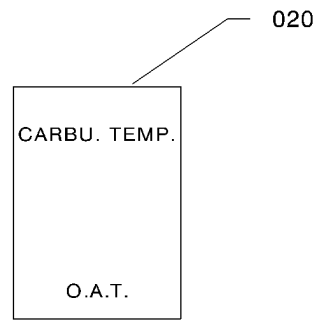
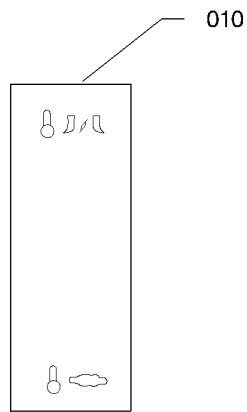
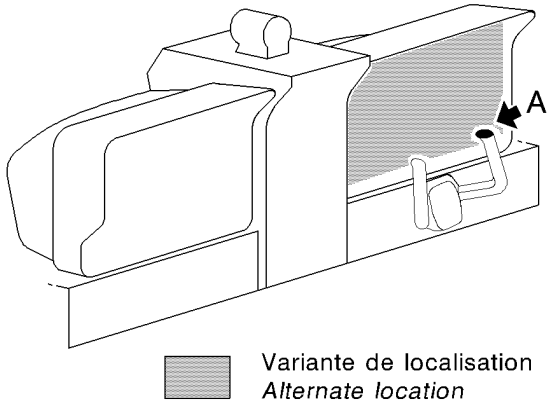
- ITEM NOT ILLUSTRATED

11-33-02

FIG. 1F

PAGE 1 R

NOV 30/18



I4113003AAA FVZ4302

R.H. INSTRUMENT PANEL
FIGURE 1

FIG.ITEM	PART NUMBER	NOMENCLATURE		EFFECT FROM TO	UNITS PER ASSY	OBS
		1234567 				
1 - 1	TF11-33-03-01-001		R.H. INSTRUMENT PANEL		RF	
10	TB10 72500121		.LABEL NOT VALID FOR ENGLISH-SPEAKING COUNTRIES		1	OR
20	TB10 72500130		.LABEL ENGLISH-SPEAKING COUNTRIES		1	OR
30	TB20 72823102		.LABEL OPTION OPT10 H757		1	
40	TB20 72823103		.LABEL NOT VALID FOR ENGLISH-SPEAKING COUNTRIES		1	
50	TB10 72918100		.LABEL SWITZERLAND		1	
60	TB20 72842105		.LABEL OUTSIDE TEMPERATURE		1	

- ITEM NOT ILLUSTRATED

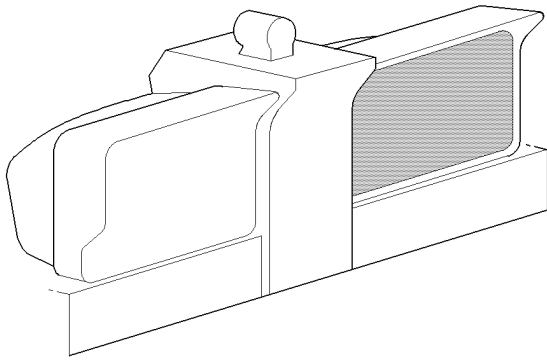
11-33-03

FIG. 1

PAGE 1 R

NOV 30/18

OPTION



Variante de localisation
Alternate location

010

ELT: FOR AVIATION EMERGENCY USE ONLY
UNAUTHORIZED OPERATION PROHIBITED

I4113003AAA DVZ24300

R.H. INSTRUMENT PANEL
FIGURE 3

ELT

11-33-03

FIG. 3

PAGE 0 R

NOV 30/18

FIG.ITEM	PART NUMBER	NOMENCLATURE	EFFECT FROM TO	UNITS PER ASSY	OBS
3 - 1 10	TB11-33-03-03-001 TB20 7285110000	1234567 R.H. INSTRUMENT PANEL .LABEL		RF 1	

- ITEM NOT ILLUSTRATED

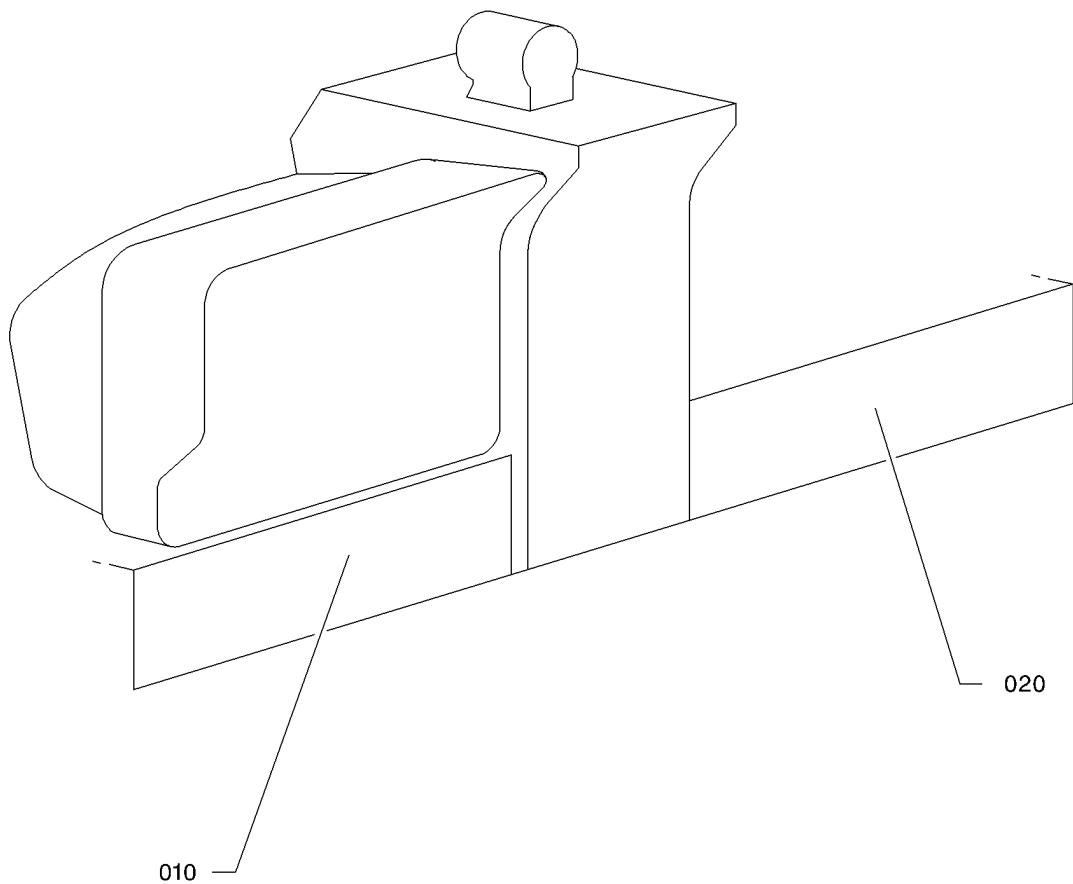
11-33-03

FIG. 3

PAGE 1 R

NOV 30/18

ELT



14113000AAAGWZ4400

STRIPS
FIGURE 1

11-34-00

FIG. 1
PAGE 0 R

NOV 30/18

FIG.ITEM	PART NUMBER	NOMENCLATURE	EFFECT FROM TO	UNITS PER ASSY	OBS
1 - 1 10 20	TF11-34-00-01-001 TB11-34-01-01 TB11-34-02-01	<div style="text-align: center;">1234567 </div> STRIPS .L.H. STRIP .R.H. STRIP		RF 1 1	

- ITEM NOT ILLUSTRATED

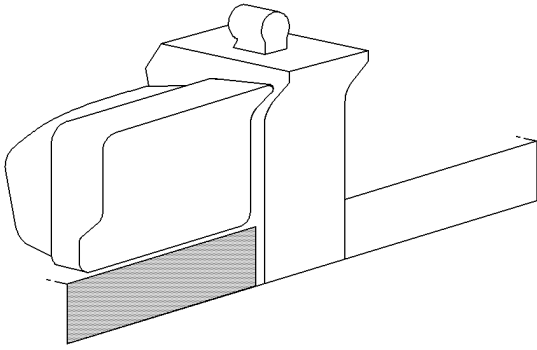
11-34-00


FIG. 1

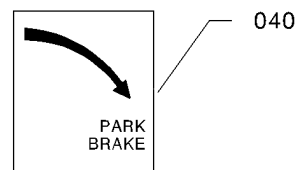
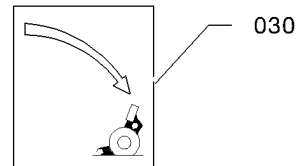
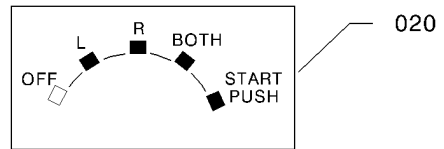
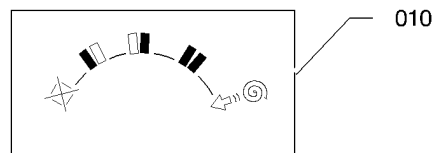
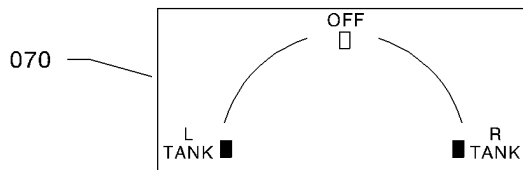
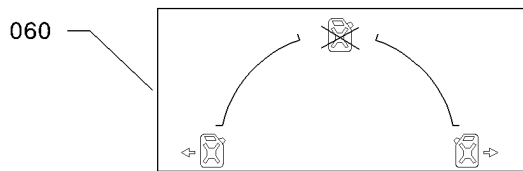
PAGE 1 R

NOV 30/18

S/N 1 - 9999



 Variante de localisation
Alternate location



080 102 L USABLE

102 L USABLE

090 26.9 US GAL USABLE

26.9 US GAL USABLE

I4113003AAAAGVZ4301

L.H. STRIP
FIGURE 1

11-34-01

FIG. 1
PAGE 0 R

NOV 30/18

FIG.ITEM	PART NUMBER	NOMENCLATURE		EFFECT FROM TO	UNITS PER ASSY	OBS
		1234567 				
1 - 1	TF11-34-01-01-001		L.H. STRIP		RF	
10	TB10 72500117		.LABEL NOT VALID FOR ENGLISH-SPEAKING COUNTRIES RPLD BY TB20 72035112		1	OR
20	TB10 72500132		.LABEL ENGLISH-SPEAKING COUNTRIES RPLD BY TB20 72035113		1	OR
30	TB20 72500125		.LABEL NOT VALID FOR ENGLISH-SPEAKING COUNTRIES RPLD BY TB20 72035114		1	OR
40	TB10 72500134		.LABEL ENGLISH-SPEAKING COUNTRIES RPLD BY TB20 72035115		1	OR
60	TB10 72500118		.LABEL S/N 1 - 730 NOT VALID FOR ENGLISH-SPEAKING COUNTRIES		1	OR
70	TB10 72500133		.LABEL S/N 1 - 730 ENGLISH-SPEAKING COUNTRIES		1	OR
80	TB10 72500151		.LABEL S/N 1 - 730		1	OR
90	TB10 72500148		.LABEL S/N 1 - 730		1	OR

- ITEM NOT ILLUSTRATED

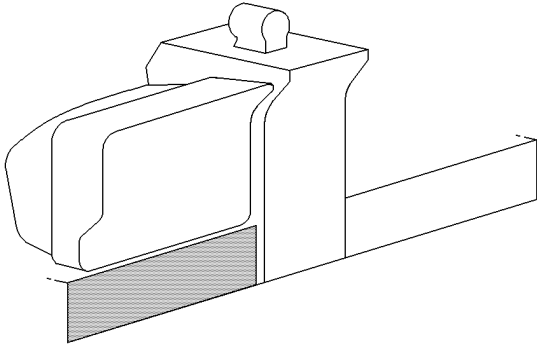
11-34-01


FIG. 1

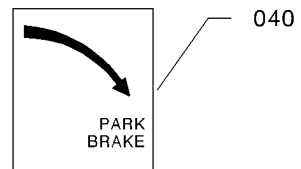
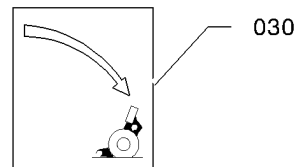
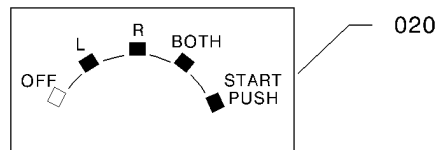
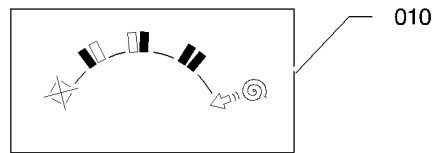
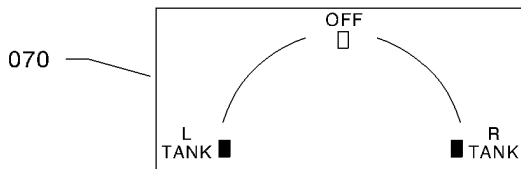
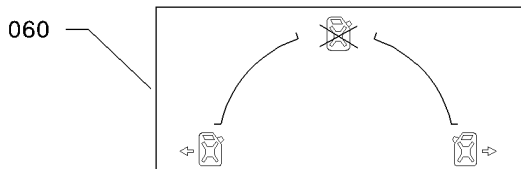
PAGE 1 R

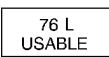
NOV 30/18

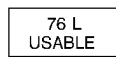
S/N 1 - 764, 766 - 878, WITH FUEL TANKS 26.9 U.S. GAL (102 L)

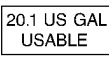


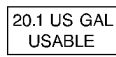
 Variante de localisation
Alternate location



080  76 L
USABLE

 76 L
USABLE

090  20.1 US GAL
USABLE

 20.1 US GAL
USABLE

I4113003AAAGVZ4401

L.H. STRIP
FIGURE 1A

11-34-01

FIG. 1A

PAGE 0 R

NOV 30/18

FIG.ITEM	PART NUMBER	1234567 	NOMENCLATURE	EFFECT FROM TO	UNITS PER ASSY	OBS
1A- 1	TF11-34-01-01A-001		L.H. STRIP		RF	
10	TB10 72500117		.LABEL S/N 1 - 1844, 1874, 1875, NOT VALID FOR ENGLISH-SPEAKING COUNTRIES RPLD BY TB20 72035112		1	OR
- 10A	TB20 72035112		.PLACARD NOT VALID FOR ENGLISH-SPEAKING COUNTRIES RPLS TB10 72500117		1	
20	TB10 72500132		.LABEL S/N 1 - 1844, 1874, 1875, ENGLISH-SPEAKING COUNTRIES RPLD BY TB20 72035113		1	OR
- 20A	TB20 72035113		.PLACARD ENGLISH-SPEAKING COUNTRIES RPLS TB10 72500132		1	
30	TB20 72500125		.LABEL S/N 1 - 1844, 1874, 1875, NOT VALID FOR ENGLISH-SPEAKING COUNTRIES RPLD BY TB20 72035114		1	OR
- 30A	TB20 72035114		.PLACARD NOT VALID FOR ENGLISH-SPEAKING COUNTRIES RPLS TB20 72500125		1	
40	TB10 72500134		.LABEL S/N 1 - 1844, 1874, 1875, ENGLISH-SPEAKING COUNTRIES RPLD BY TB20 72035115		1	OR
- 40A	TB20 72035115		.PLACARD ENGLISH-SPEAKING COUNTRIES RPLS TB10 72500134		1	
60	TB10 72500118		.LABEL S/N 1 - 730 NOT VALID FOR ENGLISH-SPEAKING COUNTRIES		1	OR
70	TB10 72500133		.LABEL S/N 1 - 730 ENGLISH-SPEAKING COUNTRIES		1	OR
80	TB10 72500150		.LABEL S/N 1 - 730		1	OR
90	TB10 72500147		.LABEL S/N 1 - 730		1	OR

- ITEM NOT ILLUSTRATED

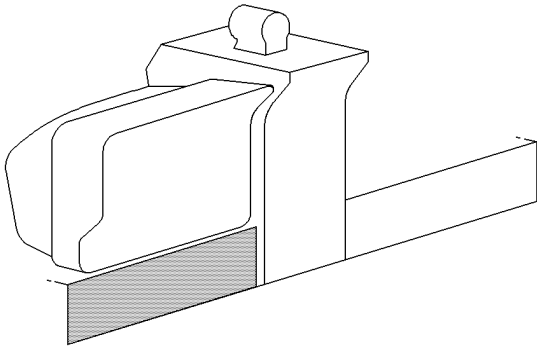
11-34-01


FIG. 1A

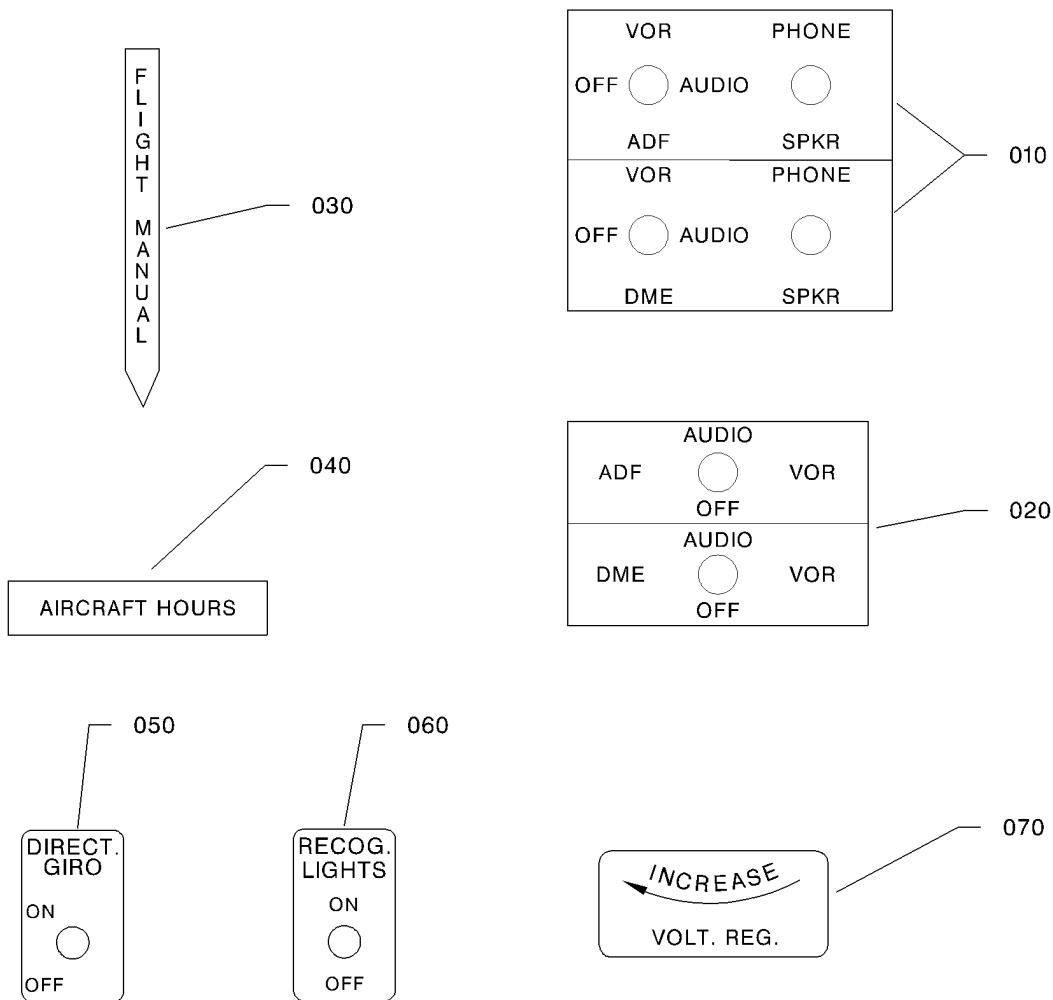
PAGE 1 R

NOV 30/18

S/N 1 - 9999 WITH FUEL TANKS 20.1 U.S. GAL (76 L)



 Variante de localisation
Alternate location



I4118003AAA JYZ4303

L.H. STRIP
FIGURE 2

FIG.ITEM	PART NUMBER	NOMENCLATURE		EFFECT FROM TO	UNITS PER ASSY	OBS
		1234567 				
2 - 1	TB11-34-01-02-001		L.H. STRIP		RF	
10	TB20 72830106		.LABEL VHF		1	
20	TB20 72830108		.LABEL VHF		1	
30	TB10 72500138		.LABEL ENGLISH-SPEAKING COUNTRIES RPLD BY TB10 72934137		1	OR
- 30A	TB10 72934137		.LABEL ENGLISH-SPEAKING COUNTRIES RPLS TB10 72500138		1	OR
40	TB10 72932100		.LABEL HOURMETER		1	
50	TB20 72822107		.LABEL ELECTRICAL DIRECTIONAL GYRO		1	
60	TB20 7284610000		.LABEL POST-MOD. 151		1	
70	TB20 7284810100		.LABEL WITH OPTION 34700A		1	

- ITEM NOT ILLUSTRATED

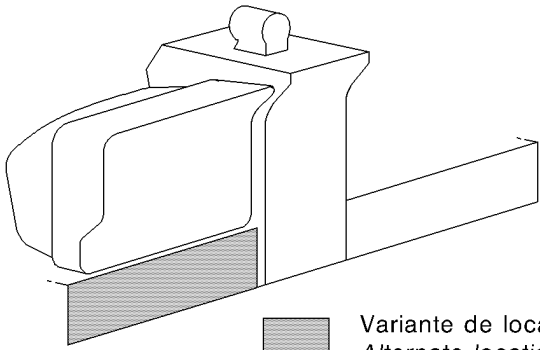
11-34-01


FIG. 2

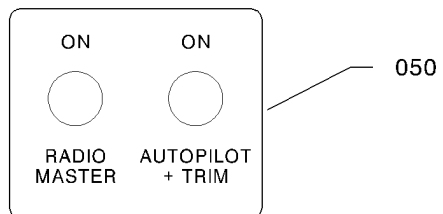
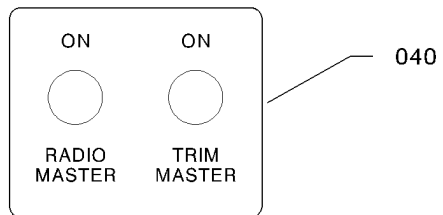
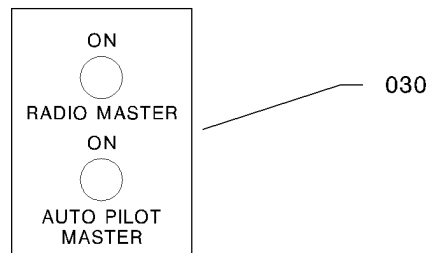
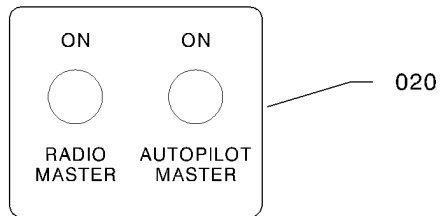
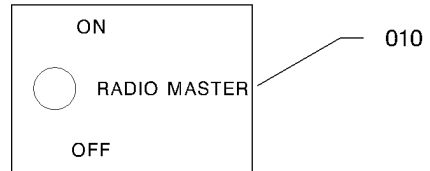
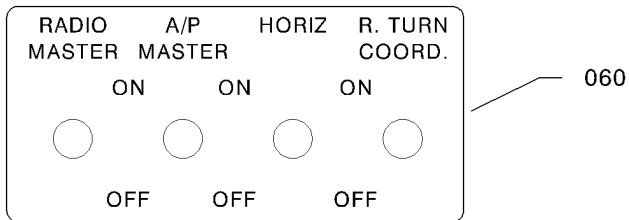
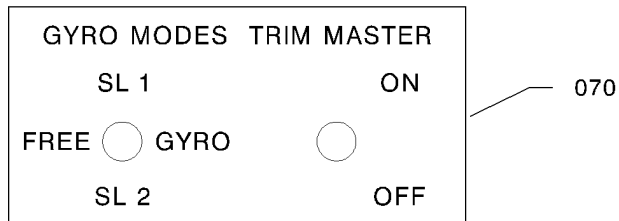
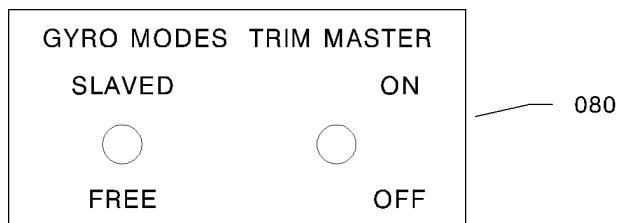
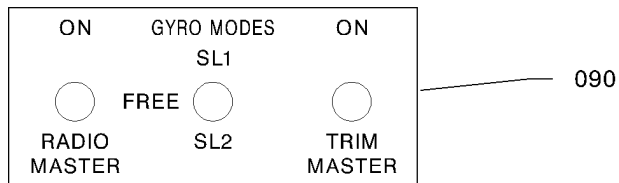
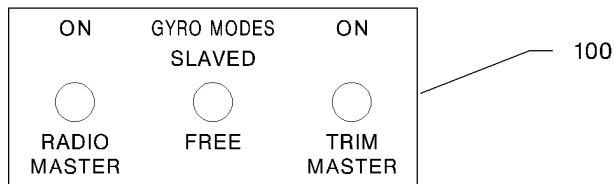
PAGE 1 R

NOV 30/18

OPTION



 Variante de localisation
Alternate location



I4113003AAAJYZ4401

L.H. STRIP
FIGURE 3

11-34-01

FIG. 3
PAGE 0 R
NOV 30/18

FIG. ITEM	PART NUMBER	NOMENCLATURE		EFFECT FROM TO	UNITS PER ASSY	OBS
		1234567 				
3 - 1	TB11-34-01-03-001		L.H. STRIP		RF	
10	TB20 72924100		.LABEL RPLD BY TB20 72830102		1	OR
- 10A	TB20 72830102		.PLACARD RPLS TB20 72924100		1	
- 10B	TB20 72830110		.PLACARD		1	
20	TB20 72924104		.LABEL RPLD BY TB20 72830104		1	OR
- 20A	TB20 72830104		.PLACARD RPLS TB20 72924104		1	
30	TB20 72924102		.LABEL RPLD BY TB20 72830100		1	OR
- 30A	TB20 72830100		.PLACARD RPLS TB20 72924102		1	
40	TB20 72924105		.LABEL		1	
50	TB20 72830112		.PLACARD		1	
60	TB20 72822101		.PLACARD		1	
70	TB20 72911100		.LABEL		1	
80	TB20 72911101		.LABEL		1	
90	TB20 72911102		.LABEL		1	
100	TB20 72911103		.LABEL		1	

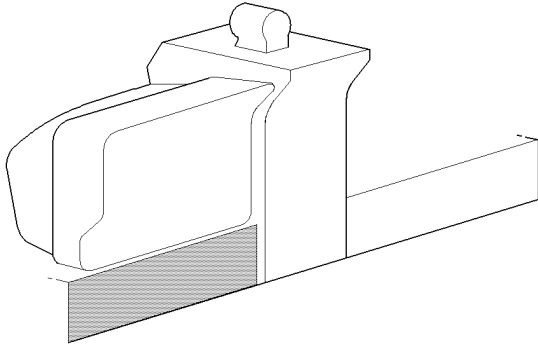
- ITEM NOT ILLUSTRATED


11-34-01

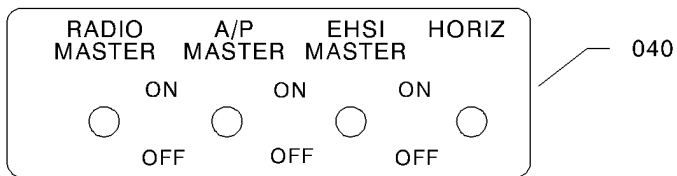
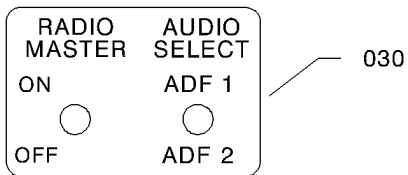
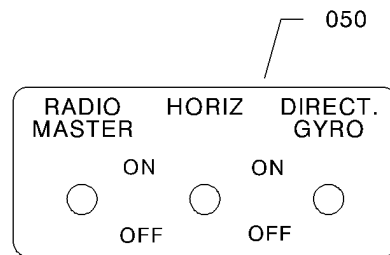
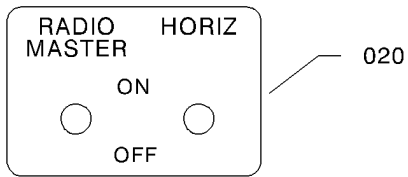
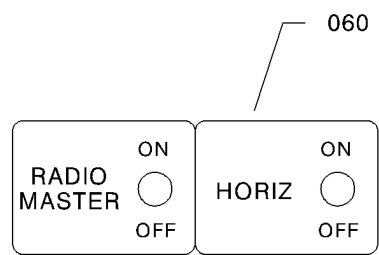
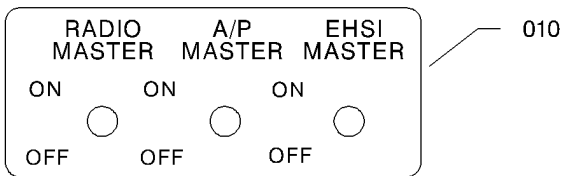
FIG. 3

PAGE 1 R

NOV 30/18



 Variante de localisation
Alternate location



I4113003AAAADVZ14500

L.H. STRIP
FIGURE 4

11-34-01

FIG. 4
PAGE 0 R

NOV 30/18

FIG.ITEM	PART NUMBER	1234567		EFFECT FROM TO	UNITS PER ASSY	OBS
4 - 1	TB11-34-01-04-001	L.H. STRIP			RF	
10	TB20 72822100	.LABEL			1	
20	TB20 72822102	.LABEL			1	
30	TB20 72822103	.LABEL			1	
40	TB20 72822105	.LABEL			1	
50	TB20 72822106	.LABEL			1	
60	TB20 7282210900	.LABEL			1	

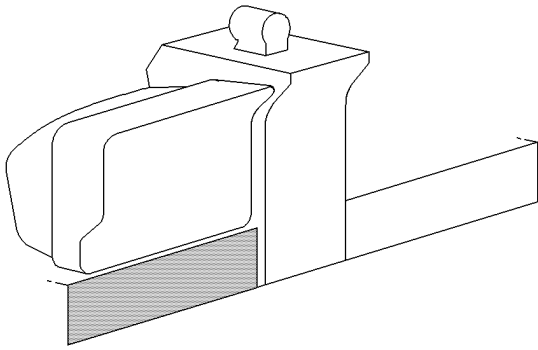
- ITEM NOT ILLUSTRATED


11-34-01

FIG. 4

PAGE 1 R

NOV 30/18



 Variante de localisation
Alternate location

STATIQUE
SECOURS
TIREZ 010

STATIC AIR
EMERGENCY
PULL 020

STATISCHER
NOTKREIS
ZIEHEN 030

STATIC AIR
ON
PULL 040

I4113003AAAJYZ4501

L.H. STRIP
FIGURE 5

FIG.ITEM	PART NUMBER	NOMENCLATURE		EFFECT FROM TO	UNITS PER ASSY	OBS
		1234567 				
5 - 1	TF11-34-01-05-001		L.H. STRIP		RF	
10	TB10 72500172		.LABEL RPLD BY TB10 72908100		1	NP
- 10A	TB10 72908100		.LABEL S/N 1 - 1844, 1874, 1875, FRENCH RPLS TB10 72500172 RPLD BY TB20 72035104		1	OR
- 10B	TB20 72035104		.PLACARD FRENCH RPLS TB10 72908100		1	
20	TB10 72500173		.LABEL RPLD BY TB10 72908101		1	NP
- 20A	TB10 72908101		.LABEL S/N 1 - 1844, 1874, 1875, ENGLISH-SPEAKING COUNTRIES RPLS TB10 72500173 RPLD BY TB20 72035106		1	OR
- 20B	TB20 72035106		.PLACARD ENGLISH-SPEAKING COUNTRIES RPLS TB10 72908101		1	
30	TB10 72500174		.LABEL RPLD BY TB10 72908102		1	NP
- 30A	TB10 72908102		.LABEL S/N 1 - 1844, 1874, 1875, GERMAN RPLS TB10 72500174 RPLD BY TB20 72035105		1	OR
- 30B	TB20 72035105		.PLACARD GERMAN RPLS TB10 72908102		1	
40	TB10 72926123		.PLACARD BRAZIL		1	

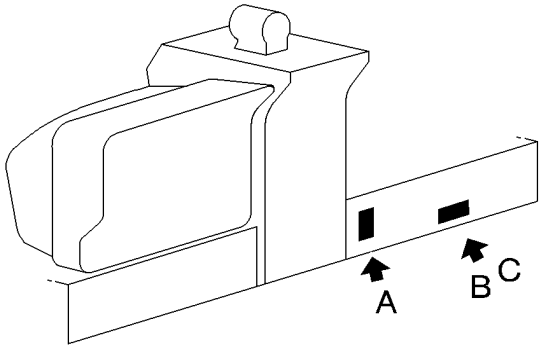
- ITEM NOT ILLUSTRATED

11-34-01

FIG. 5

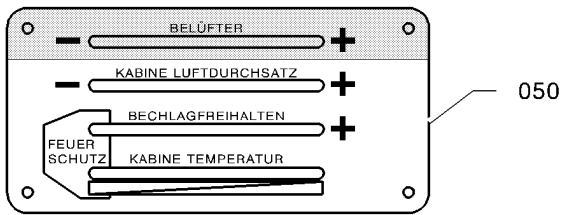
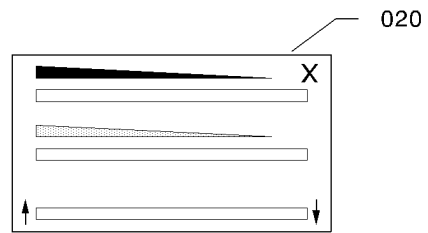
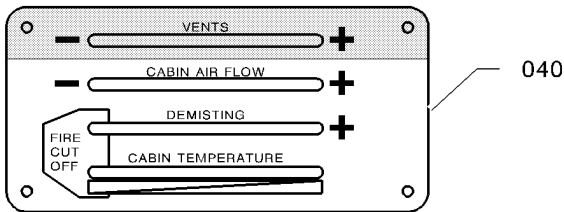
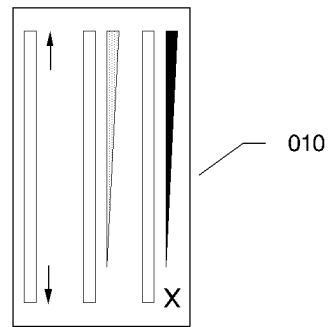
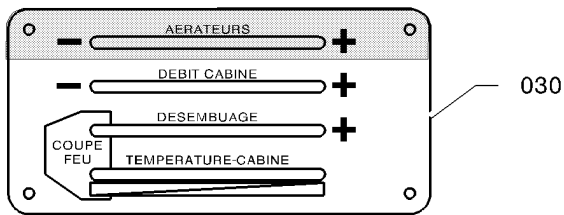
PAGE 1 R

NOV 30/18



(C)

(A)



(B)

R.H. STRIP
FIGURE 1

11-34-02

FIG. 1
PAGE 0 R
NOV 30/18

FIG.ITEM	PART NUMBER	1234567 	NOMENCLATURE	EFFECT FROM TO	UNITS PER ASSY	OBS
1 - 1	TF11-34-02-01-001		R.H. STRIP		RF	
10	TB10 72019100		.LABEL S/N 1 - 274		1	
20	TB10 72032000		.LABEL S/N 275 - 584		1	
- 20A	TB10 72934120		.CONTROL BOX ASSY S/N 275 - 584 NOT VALID FOR ENGLISH-SPEAKING COUNTRIES		1	
30	TB20 72207100		.PLACARD S/N 585 - 9999 NOT VALID FOR ENGLISH-SPEAKING COUNTRIES		1	
40	TB20 72207101		.PLACARD S/N 585 - 9999 ENGLISH-SPEAKING COUNTRIES		1	
50	TB20 72207102		.PLACARD S/N 585 - 9999 GERMAN		1	

- ITEM NOT ILLUSTRATED

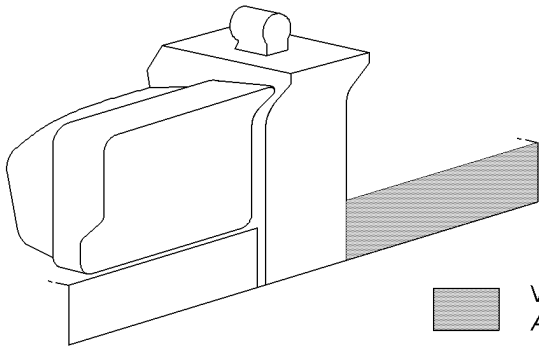
11-34-02

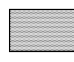
FIG. 1

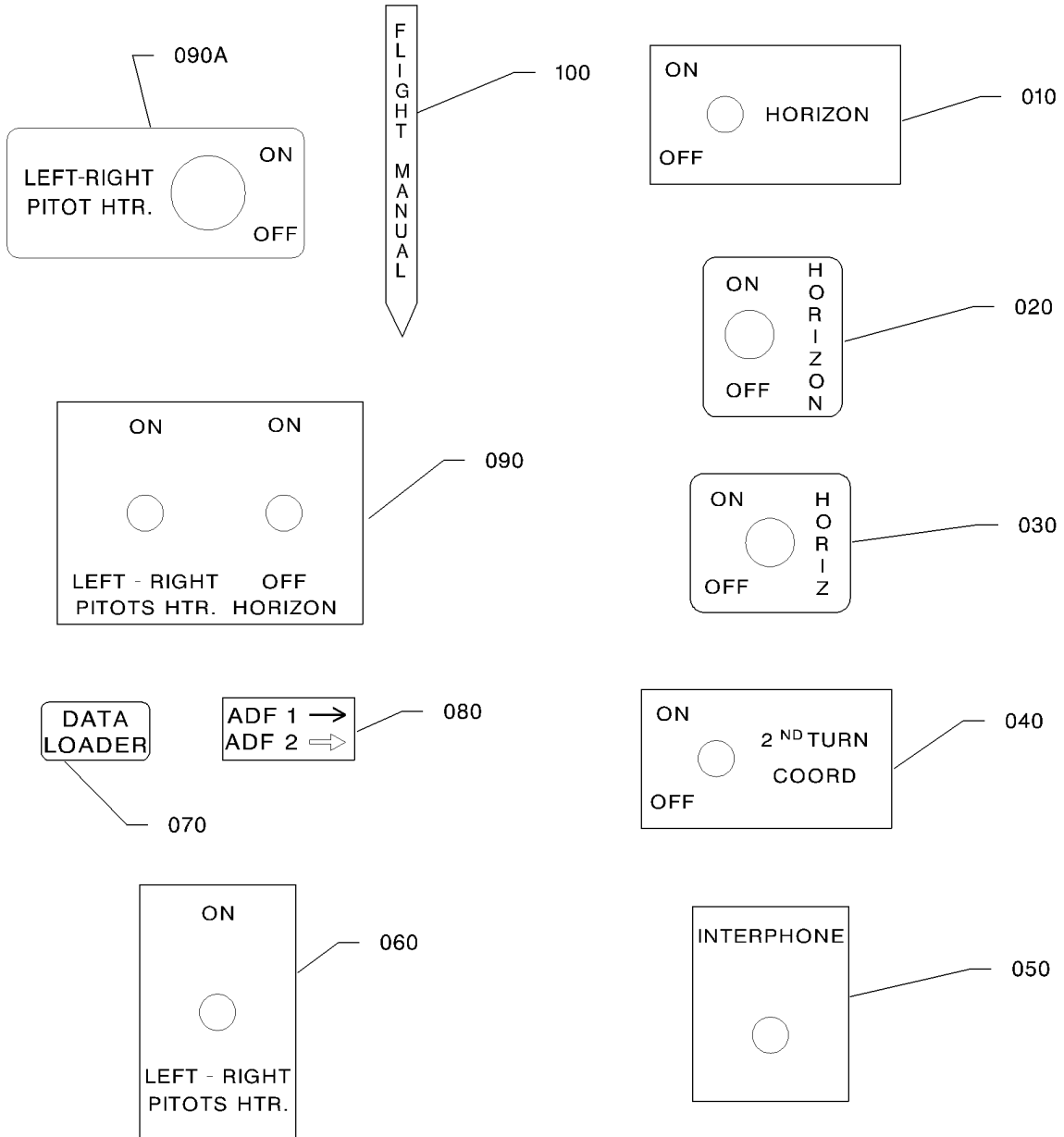
PAGE 1 R

NOV 30/18

S/N 1 - 9999



 Variante de localisation
Alternate location



I4113003AAA LWZ4302

R.H. STRIP
FIGURE 2

11-34-02

FIG. 2

PAGE 0 R

NOV 30/18

FIG.ITEM	PART NUMBER	NOMENCLATURE		EFFECT FROM TO	UNITS PER ASSY	OBS
		1234567 				
2 - 1	TB11-34-02-02-001		R.H. STRIP		RF	
10	TB20 72806100		.LABEL ON TRANSPARENT BACKGROUND ELECTRIC HORIZON RPLD BY TB20 72834100		1	OR
20	TB20 72834100		.PLACARD ELECTRIC HORIZON RPLS TB20 72806100 RPLD BY TB20 72834101		1	OR
30	TB20 72834101		.PLACARD ELECTRIC HORIZON RPLS TB20 72834100 RPLD BY TB20 72834102		1	OR
- 30A	TB20 72834102		.LABEL ELECTRIC HORIZON RPLS TB20 72834101		1	
40	TB09 72805100		.LABEL TURN-AND-BANK INDICATOR NO 2 RPLD BY TB09 7280510100		1	OR
- 40A	TB09 7280510100		.LABEL RPLS TB09 72805100		1	
50	TB20 72814100		.LABEL INTERPHONE		1	
60	TB20 72919107		.LABEL PITOT 2, VARIANT		1	
70	TB10 72804104		.LABEL KLN		1	
80	TB20 72914100		.LABEL ADF		1	
90	TB20 72807100		.LABEL PITOT 2, VARIANT		1	
90A	TB20 7280710100		.LABEL PITOT 2, VARIANT		1	
100	TB10 72500138		.LABEL ENGLISH-SPEAKING COUNTRIES RPLD BY TB10 72934137		1	OR
-100A	TB10 72934137		.LABEL S/N 1 - 1792 ENGLISH-SPEAKING COUNTRIES RPLS TB10 72500138		1	OR
-100B	TB10 72934145		.LABEL ENGLISH-SPEAKING COUNTRIES RPLS TB10 72934137		1	

- ITEM NOT ILLUSTRATED

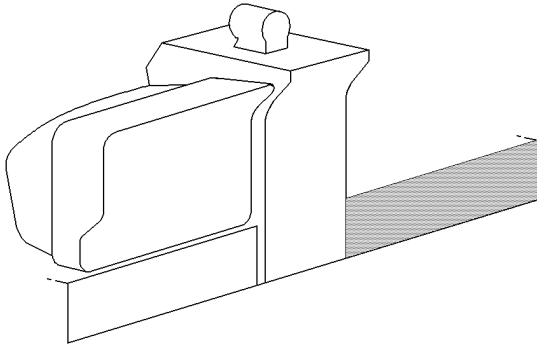
11-34-02


FIG. 2

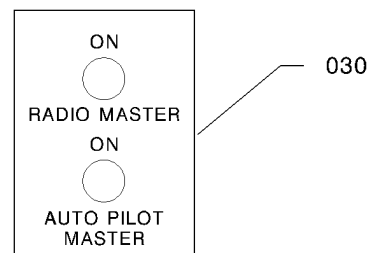
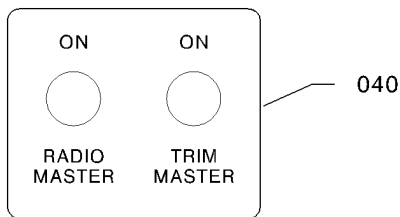
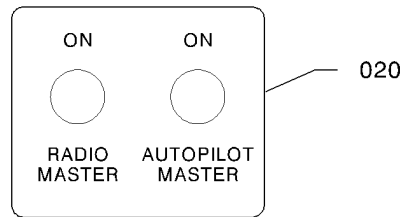
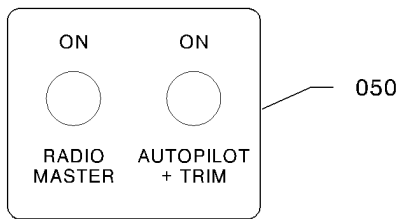
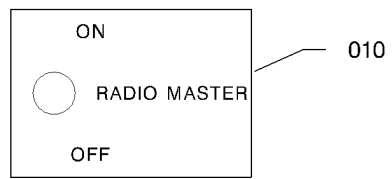
PAGE 1 R

NOV 30/18

OPTION



 Variante de localisation
Alternate location



I4113003AAALWZ4401

R.H. STRIP
FIGURE 3

FIG. ITEM	PART NUMBER	NOMENCLATURE		EFFECT FROM TO	UNITS PER ASSY	OBS
		1234567 				
3 - 1	TB11-34-02-03-001		R.H. STRIP		RF	
10	TB20 72924100		.LABEL RPLD BY TB20 72830102		1	OR
- 10A	TB20 72830102		.PLACARD RPLS TB20 72924100		1	
- 10B	TB20 72830110		.PLACARD		1	
20	TB20 72924104		.LABEL RPLD BY TB20 72830104		1	OR
- 20A	TB20 72830104		.PLACARD RPLS TB20 72924104		1	
30	TB20 72924102		.LABEL RPLD BY TB20 72830100		1	OR
- 30A	TB20 72830100		.PLACARD RPLS TB20 72924102		1	
40	TB20 72924105		.LABEL		1	
50	TB20 72830112		.PLACARD		1	

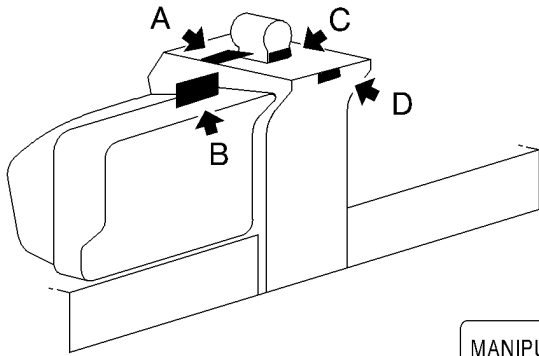
- ITEM NOT ILLUSTRATED

11-34-02

FIG. 3

PAGE 1 R

NOV 30/18



(A)

MANIPULER AVEC PRECAUTION
NE PAS FAIRE CHUTER
HANDLE WITH CARE
DO NOT DROP

010

(B)

BJ1	BJ2	BJ3	BJ4	BJ5
1	1	1	1	1
2	2	2	2	2
3	3	3	3	3
4	4	4	4	4
5	5	5	5	5
6	6	6	6	6
7	7	7	7	7
8	8	8	8	8
9	9	9	9	9
10	10	10	10	10
11	11	11	11	11
12	12	12	12	12

020

(C)

040

For	N	30	60	E	120	150
Steer						
For	S	210	240	W	300	330
Steer						

DATE: RADIO ON

030

Cm	N	30	60	E	120	150
Cc						
Cm	S	210	240	W	300	330
Cc						

Date: Radio on

(D)

DEFENSE DE FUMER 050

NO SMOKING 060

RAUCHEN VERBOTEN 070

I4113003AAADVZ4300

CENTRAL CONSOLE
FIGURE 1

11-35-00

FIG. 1
PAGE 0 R
NOV 30/18

FIG.ITEM	PART NUMBER	NOMENCLATURE		EFFECT FROM TO	UNITS PER ASSY	OBS
		1234567 				
1 - 1	TB11-35-00-01-001		CENTRAL CONSOLE		RF	
10	TB10 72045100		.LABEL		1	
20	TB10 72500170		.LABEL		1	OR
30	TB30 72087100		.PLACARD		1	
			NOT VALID FOR ENGLISH-SPEAKING COUNTRIES			
40	TB10 72931101		.PLACARD		1	
			ENGLISH-SPEAKING COUNTRIES			
50	TB20 72945100		.PLACARD		1	
			NOT VALID FOR ENGLISH-SPEAKING COUNTRIES			
60	TB20 72945102		.PLACARD		1	
			ENGLISH-SPEAKING COUNTRIES			
70	TB20 72945104		.PLACARD		1	
			GERMAN			

- ITEM NOT ILLUSTRATED

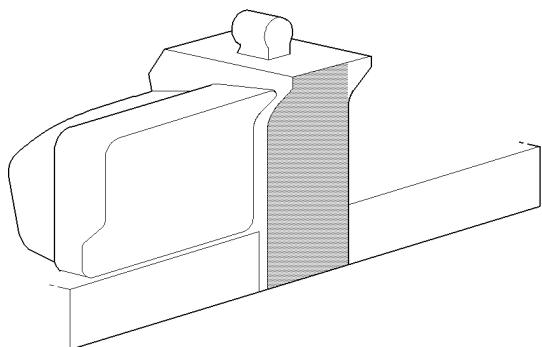
11-35-00


FIG. 1

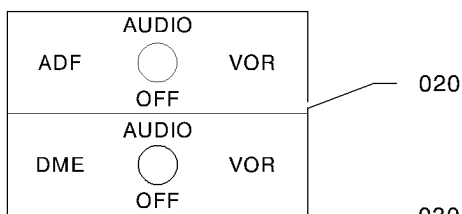
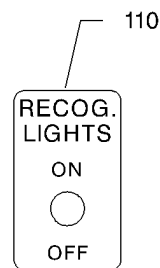
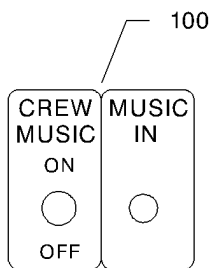
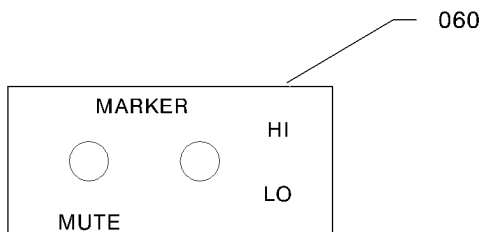
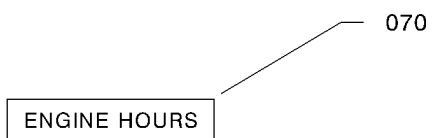
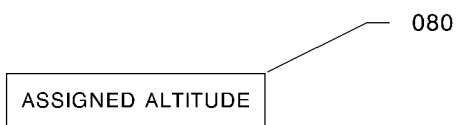
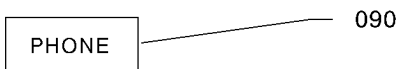
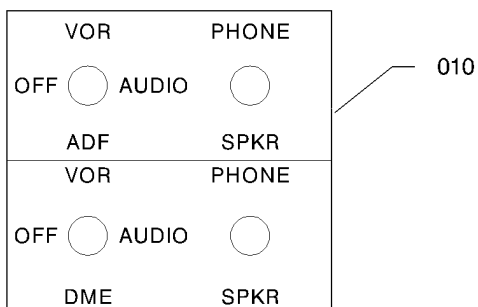
PAGE 1 R

NOV 30/18

S/N 1 - 9999



 Variante de localisation
Alternate location



ATTENTION
ETEINDRE LES FEUX A ECLATS LORS DE ROULAGE A PROXIMITE D UN AUTRE AVION OU LORS D UN VOL A TRAVERS LES NUAGES, LE BROUILLARD OU LA BRUME

WARNING
TURN OFF STROBE LIGHTS WHEN TAXIING IN VICINITY OF OTHER AIRCRAFT, OR DURING FLIGHT THROUGH CLOUD, FOG OR HAZE.

WARNUNG
BEI ROLLEN IN DER NAEHE EINES FLUGZEUGS ODER WAEHREND EINES FLUGS DURCH WOLKEN, NEBEL ODER DUFT, DIE BLITZLEUCHTEN AUSSCHALTEN

I4113003AAADVZ4401

CENTRAL CONSOLE
FIGURE 2

11-35-00

FIG. 2

PAGE 0 R

NOV 30/18

FIG.ITEM	PART NUMBER	NOMENCLATURE		EFFECT FROM TO	UNITS PER ASSY	OBS
		1234567 				
2 - 1	TB11-35-00-02-001		CENTRAL CONSOLE		RF	
10	TB20 72830106		.LABEL		1	
20	TB20 72830108		.LABEL		1	
30	TB20 72812101		.PLACARD		1	
40	TB20 72812100		.PLACARD		1	
50	TB20 72812102		.PLACARD		1	
60	TB20 72918100		.LABEL		1	
70	TB10 72932101		.LABEL		1	
80	TB10 72932102		.LABEL		1	
90	TB10 72932103		.LABEL		1	
100	TB20 7284510000		.LABEL		1	
110	TB20 7284610000		.LABEL		1	
			POST-MOD. 151			

- ITEM NOT ILLUSTRATED

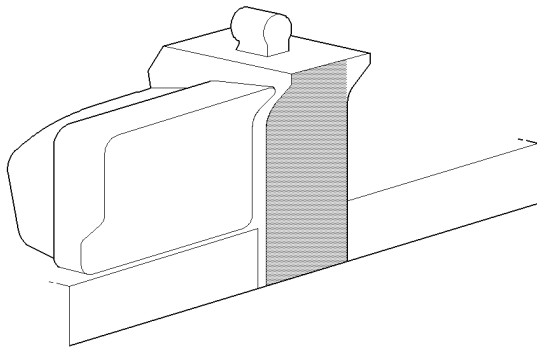
11-35-00

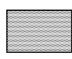
FIG. 2

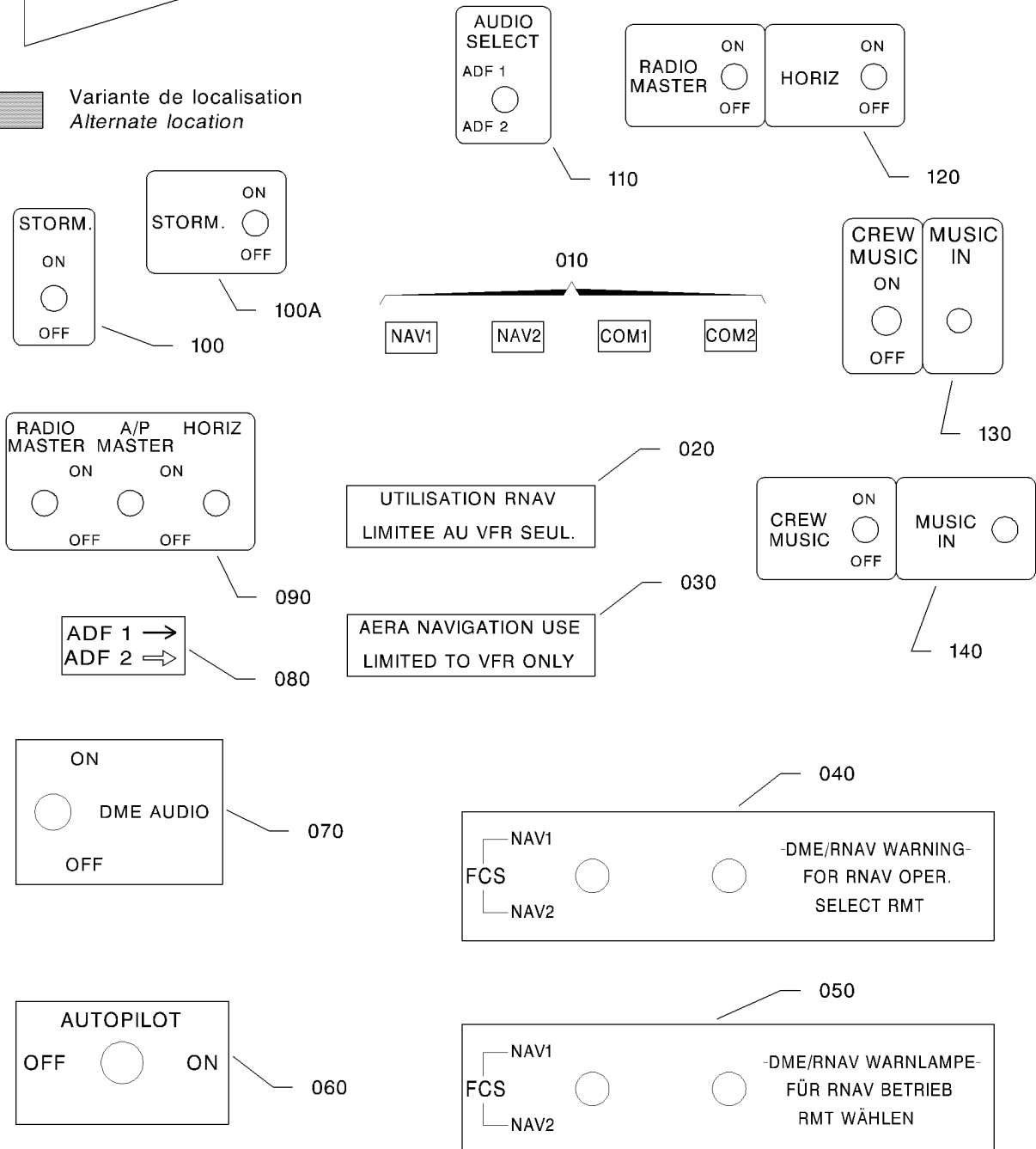
PAGE 1 R

NOV 30/18

OPTION



 Variante de localisation
Alternate location



CENTRAL CONSOLE
FIGURE 3

11-35-00

FIG. 3
PAGE 0 R
NOV 30/18

FIG.ITEM	PART NUMBER	NOMENCLATURE		EFFECT FROM TO	UNITS PER ASSY	OBS
		1234567 				
3 - 1	TB11-35-00-03-001		CENTRAL CONSOLE		RF	
10	TB20 72914101		.LABEL RPLD BY TB20 72914105		1	OR
- 10A	TB20 72914105		.PLACARD RPLS TB20 72914101		1	
20	TB20 72922100		.LABEL		1	
30	TB20 72922105		.LABEL		1	
40	TB20 72922101		.LABEL		1	
50	TB20 72922102		.LABEL		1	
60	TB10 72913100		.LABEL		1	
70	TB20 72914102		.LABEL		1	
80	TB20 72914100		.LABEL		1	
90	TB20 72822104		.LABEL		1	
100	TB20 7284710000		.LABEL VARIANT		1	
100A	TB20 7284710100		.LABEL VARIANT		1	
110	TB20 72822108		.LABEL		1	
120	TB20 7282210900		.LABEL		1	
130	TB20 7284510000		.LABEL		1	
140	TB20 7284510100		.LABEL		1	

- ITEM NOT ILLUSTRATED

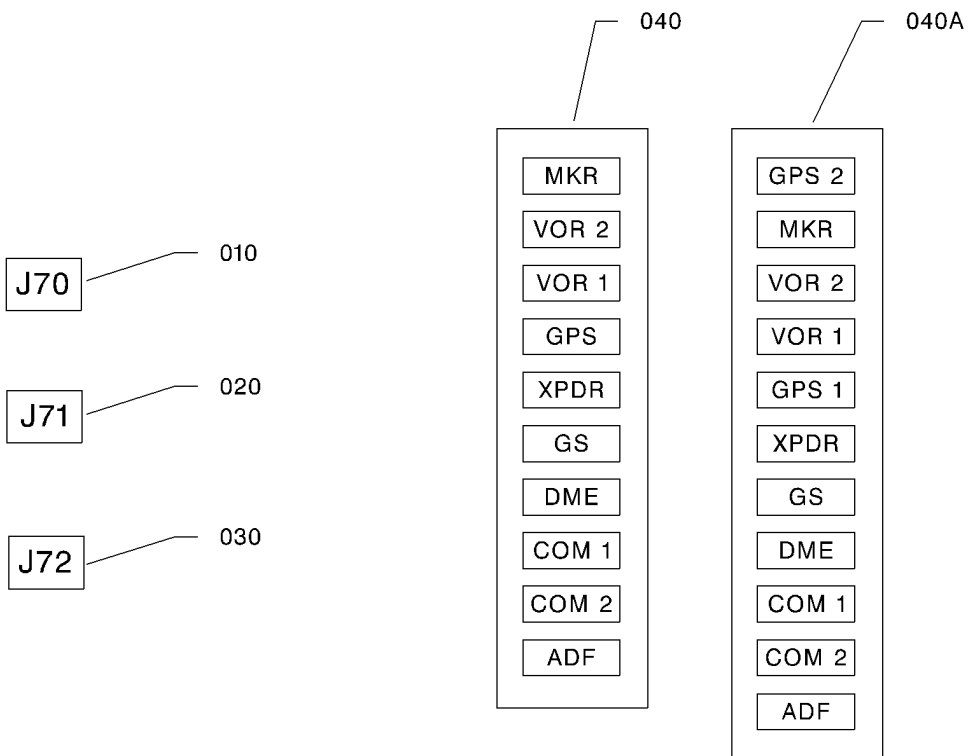
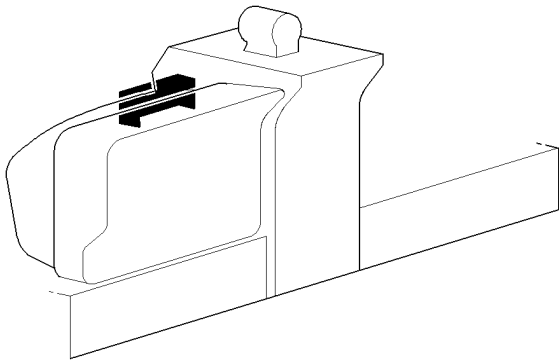
11-35-00

FIG. 3

PAGE 1 R

NOV 30/18

OPTION



14113003AAAADVZ14301

CENTRAL CONSOLE
FIGURE 4

OPTION

11-35-00

FIG. 4
PAGE 0 R
NOV 30/18

FIG.ITEM	PART NUMBER	NOMENCLATURE		EFFECT FROM TO	UNITS PER ASSY	OBS
		1234567 				
4 - 1	TB11-35-00-04-001		CENTRAL CONSOLE		RF	
10	T700A1130023112		.LABEL		1	
20	T700A1130023113		.LABEL		1	
30	T700A1130023114		.LABEL		1	
40	TB20 72821100		.LABEL		1	
40A	TB20 7282110900		.LABEL		1	

- ITEM NOT ILLUSTRATED

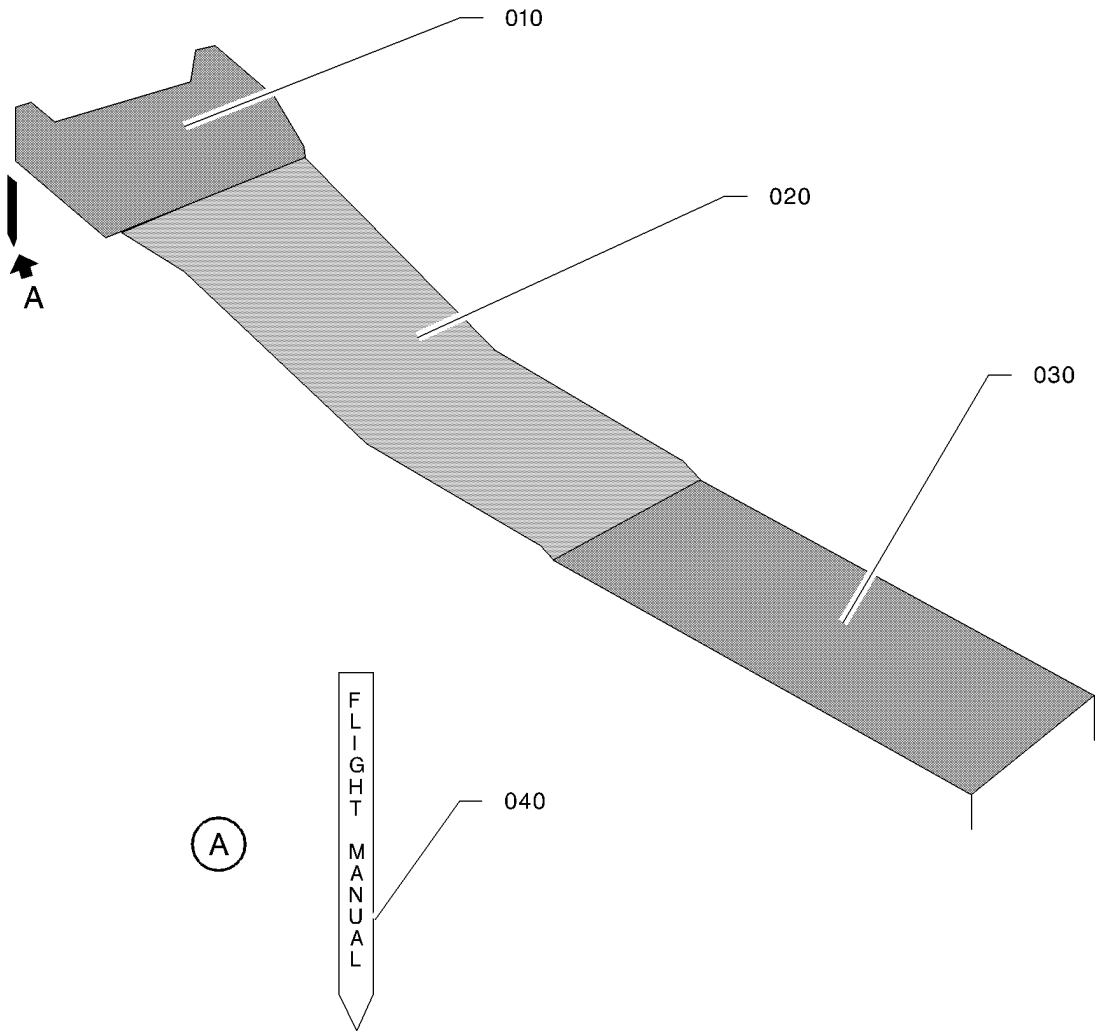
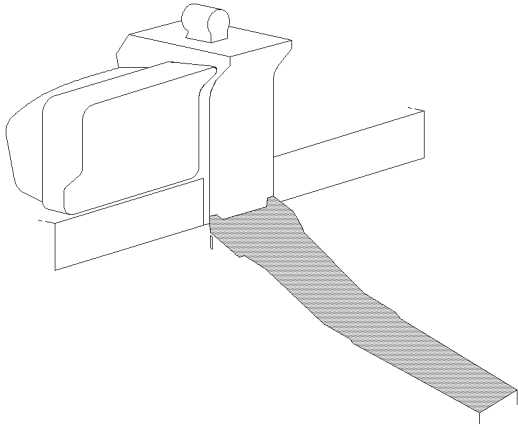
11-35-00

FIG. 4

PAGE 1 R

NOV 30/18

OPTION



I4113000AAAGWZ14301

PEDESTAL
FIGURE 1

11-36-00

FIG. 1

PAGE 0 R

NOV 30/18

FIG.ITEM	PART NUMBER	1234567 	NOMENCLATURE	EFFECT FROM TO	UNITS PER ASSY	OBS
1 - 1	TB11-36-00-01-001		PEDESTAL		RF	
10	TB11-36-01-01		.FRONT PEDESTAL		1	
20	TB11-36-02-01		.PEDESTAL - CENTRAL PART		1	
30	TB11-36-03-01		.PEDESTAL - REAR PART		1	
40	TB10 72500138		.LABEL OPTION RPLD BY TB10 72934137		1	OR
- 40A	TB10 72934137		.LABEL S/N 1 - 1792 OPTION RPLS TB10 72500138 RPLD BY TB10 72934145		1	OR
- 40B	TB10 72934145		.LABEL OPTION RPLS TB10 72934137		1	

- ITEM NOT ILLUSTRATED

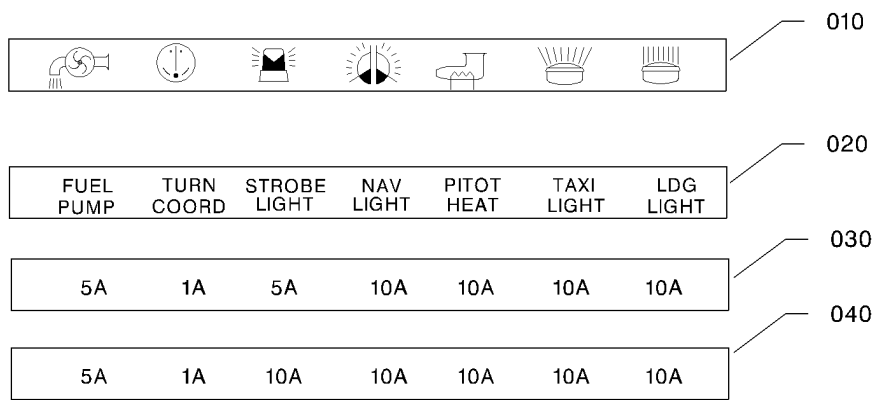
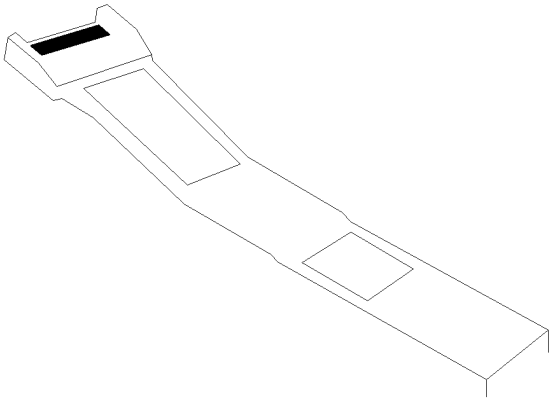
11-36-00

FIG. 1

PAGE 1 R

NOV 30/18

S/N 1 - 9999



I4113004AAADVZ4302

FRONT PEDESTAL
FIGURE 1

11-36-01

FIG. 1
PAGE 0 R

NOV 30/18

FIG.ITEM	PART NUMBER	NOMENCLATURE	EFFECT FROM TO	UNITS PER ASSY	OBS
		1234567 			
1 - 1	TF11-36-01-01-001	FRONT PEDESTAL		RF	
10	TB10 72500108	.PLACARD NOT VALID FOR ENGLISH-SPEAKING COUNTRIES		1	OR
20	TB10 72500124	.PLACARD ENGLISH-SPEAKING COUNTRIES		1	OR
30	TB10 72500125	.PLACARD ENGLISH-SPEAKING COUNTRIES FOR 5A ANTICOLLISION LIGHTS SWITCH-BREAKERS		1	OR
40	TB10 72500123	.PLACARD ENGLISH-SPEAKING COUNTRIES FOR 10A ANTICOLLISION LIGHTS SWITCH-BREAKERS		1	OR

- ITEM NOT ILLUSTRATED

11-36-01

FIG. 1

PAGE 1 R

NOV 30/18

S/N 1 - 587, 589 - 599, 601 - 609

FIG.ITEM	PART NUMBER	1234567 	NOMENCLATURE	EFFECT FROM TO	UNITS PER ASSY	OBS
1A- 1	TB11-36-01-01A-001		FRONT PEDESTAL		RF	
10	TB10 72050100		.PLACARD S/N 588, 600, 610 - 1980 RPLD BY TB10 72806100		1	OR
20	TB10 72806100		.PLACARD RPLS TB10 72050100		1	
30	TB20 72820101		.PLACARD ELECTRIC HORIZON OPTION RPLD BY TB20 72820102		1	OR
40	TB20 72820102		.PLACARD ELECTRIC HORIZON OPTION RPLS TB20 72820101		1	
50	TB20 72826100		.PLACARD SEFA		1	

- ITEM NOT ILLUSTRATED

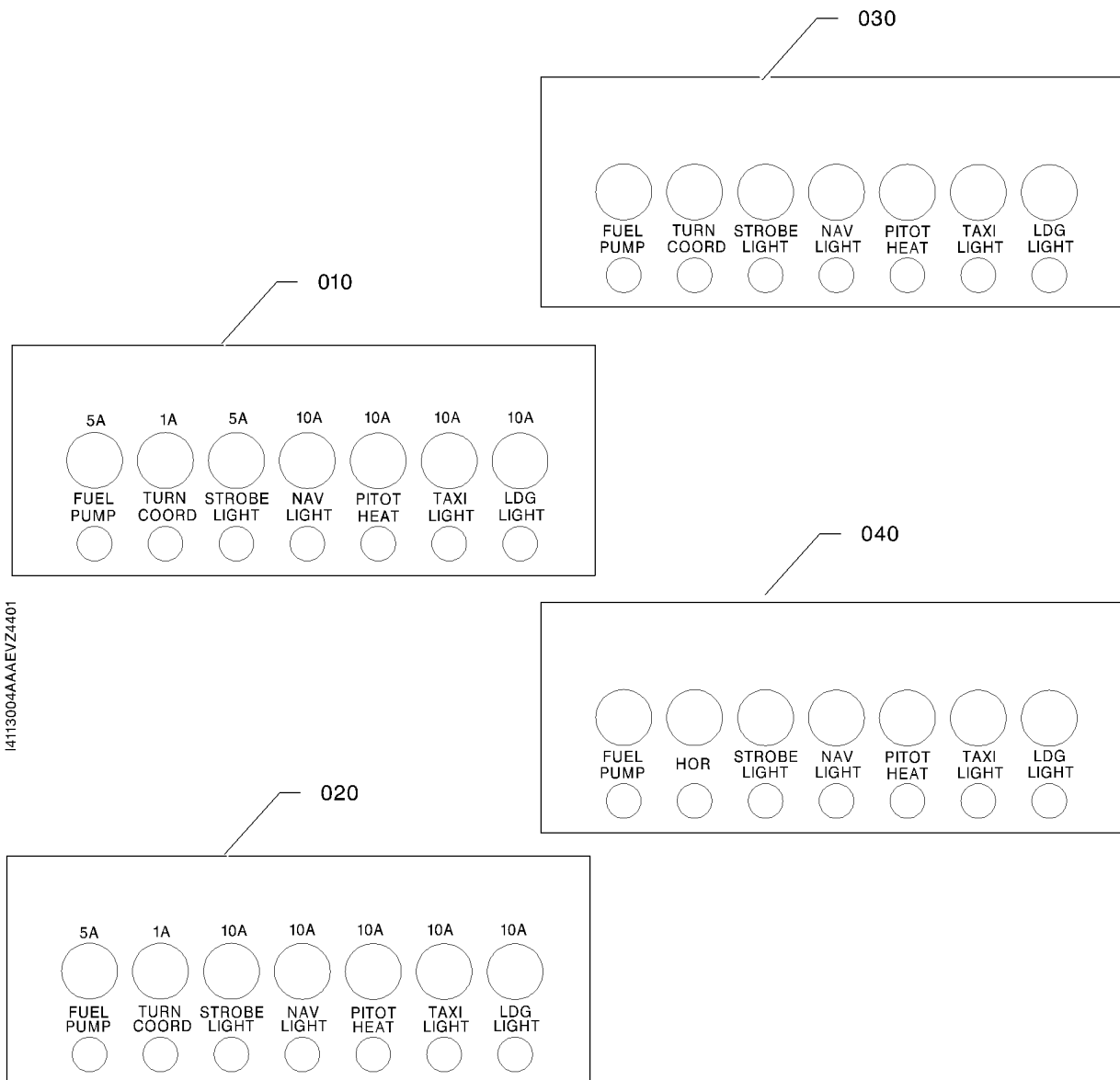
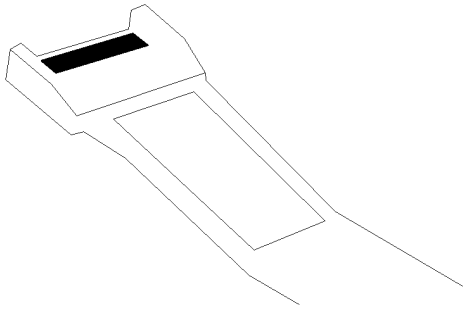
11-36-01

FIG. 1A

PAGE 1 R

NOV 30/18

S/N 588, 600, 610 - 9999, NOT VALID FOR ENGLISH-SPEAKING COUNTRIES



14113004AAAEEVZ4401

FRONT PEDESTAL
FIGURE 1B

11-36-01

FIG. 1B

PAGE 0 R

NOV 30/18

FIG.ITEM	PART NUMBER	NOMENCLATURE		EFFECT FROM TO	UNITS PER ASSY	OBS
		1234567 				
1B- 1 10	TF11-36-01-01B-001		FRONT PEDESTAL		RF	
	TB10 72938100		.PLACARD SWITCH-BREAKERS WITHOUT MARKINGS (AMPERAGE) FOR 5A ANTICOLLISION LIGHTS SWITCH-BREAKERS		1	
	TB10 72938101		.PLACARD SWITCH-BREAKERS WITHOUT MARKINGS (AMPERAGE) FOR 10A ANTICOLLISION LIGHTS SWITCH-BREAKERS		1	
	TB10 72938110		.PLACARD SWITCH-BREAKERS WITH MARKINGS (AMPERAGE)		1	
40	TB20 72820100		.PLACARD ELECTRIC HORIZON OPTION		1	

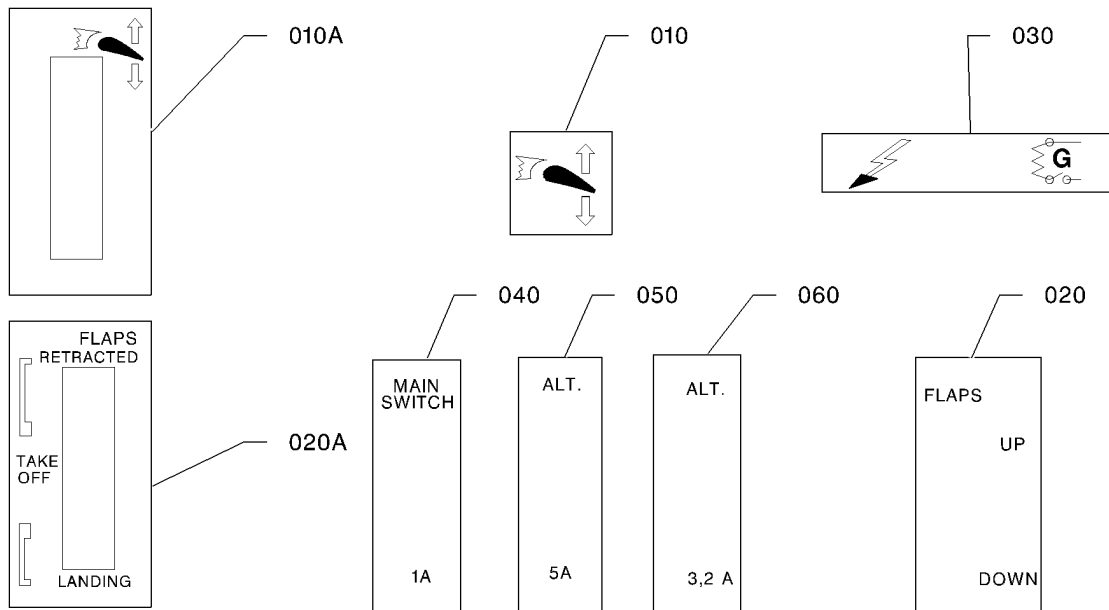
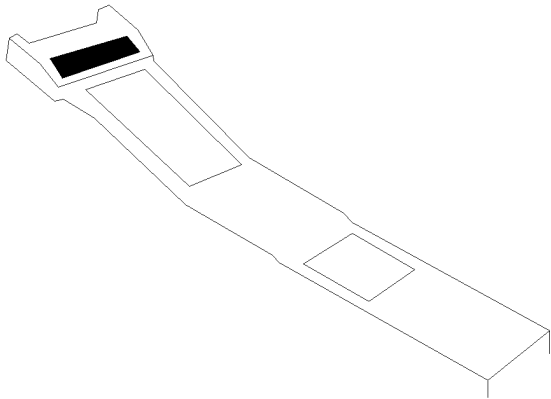
- ITEM NOT ILLUSTRATED

11-36-01

FIG. 1B

PAGE 1 R

NOV 30/18



I4113004AAADVZ14300

FRONT PEDESTAL
FIGURE 2

11-36-01

FIG. 2
PAGE 0 R

NOV 30/18

FIG.ITEM	PART NUMBER	NOMENCLATURE							EFFECT FROM TO	UNITS PER ASSY	OBS
		1	2	3	4	5	6	7			
2 - 1	TF11-36-01-02-001	FRONT PEDESTAL								RF	
10	TB10 72500109	.PLACARD NOT VALID FOR ENGLISH-SPEAKING COUNTRIES								1	OR
10A	TB10 72050911	.PLACARD NOT VALID FOR ENGLISH-SPEAKING COUNTRIES								1	
20	TB10 72500126	.PLACARD ENGLISH-SPEAKING COUNTRIES								1	OR
20A	TB10 72938914	.PLACARD NOT VALID FOR ENGLISH-SPEAKING COUNTRIES								1	
30	TB10 72500110	.PLACARD NOT VALID FOR ENGLISH-SPEAKING COUNTRIES								1	OR
40	TB10 72500122	.PLACARD ENGLISH-SPEAKING COUNTRIES								1	OR
50	TB10 72500128	.PLACARD ENGLISH-SPEAKING COUNTRIES FOR 5A ALTERNATOR SWITCH-BREAKERS								1	OR
60	TB10 72500129	.PLACARD ENGLISH-SPEAKING COUNTRIES FOR 3.2A ALTERNATOR SWITCH-BREAKERS								1	OR

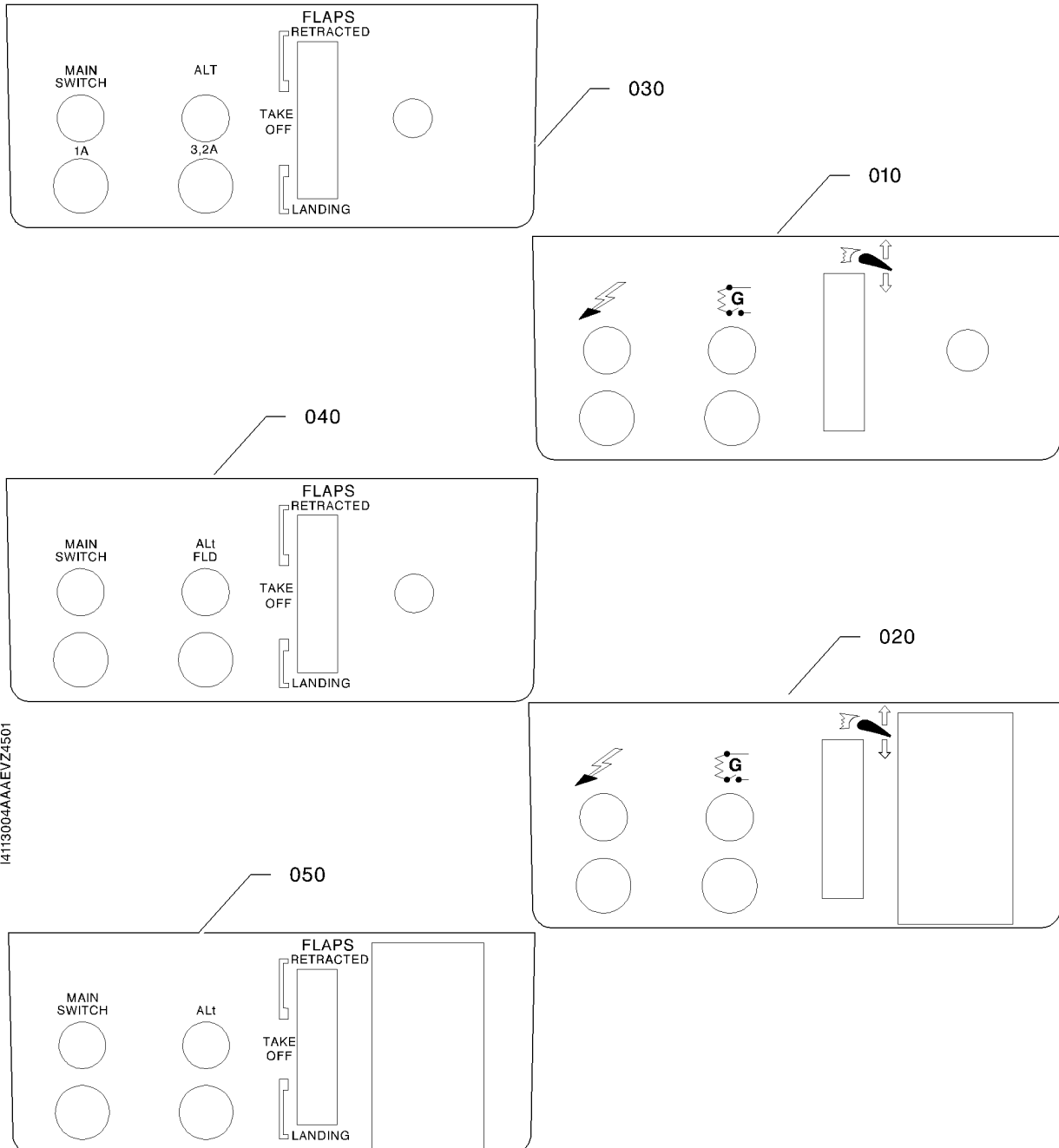
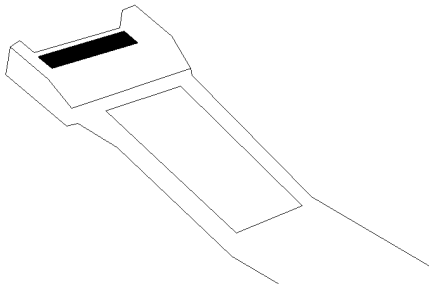
- ITEM NOT ILLUSTRATED

11-36-01

FIG. 2

PAGE 1 R

NOV 30/18



FRONT PEDESTAL
FIGURE 2A

11-36-01

FIG. 2A

PAGE 0 R

NOV 30/18

FIG.ITEM	PART NUMBER	NOMENCLATURE		EFFECT FROM TO	UNITS PER ASSY	OBS
		1234567 				
2A- 1 10 20 30 40 50	TF11-36-01-02A-001		FRONT PEDESTAL		RF	
	TB10 72050101		.PLACARD NOT VALID FOR ENGLISH-SPEAKING COUNTRIES, WITHOUT FLAPS PRESELECTION		1	
	TB10 72050102		.PLACARD NOT VALID FOR ENGLISH-SPEAKING COUNTRIES, WITH FLAPS PRESELECTION		1	
	TB10 72938111		.PLACARD ENGLISH-SPEAKING COUNTRIES WITHOUT FLAPS PRESELECTION, SWITCH-BREAKERS WITH MARKINGS (AMPERAGE)		1	
	TB10 72938104		.PLACARD ENGLISH-SPEAKING COUNTRIES WITHOUT FLAPS PRESELECTION, SWITCH-BREAKERS WITHOUT MARKINGS (AMPERAGE)		1	
	TB10 72938112		.PLACARD ENGLISH-SPEAKING COUNTRIES WITH FLAPS PRESELECTION		1	

- ITEM NOT ILLUSTRATED

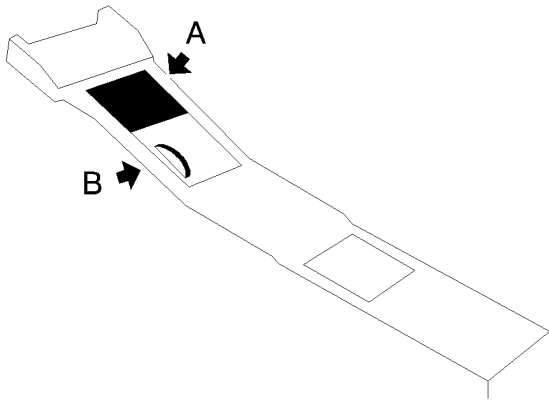
11-36-01

FIG. 2A

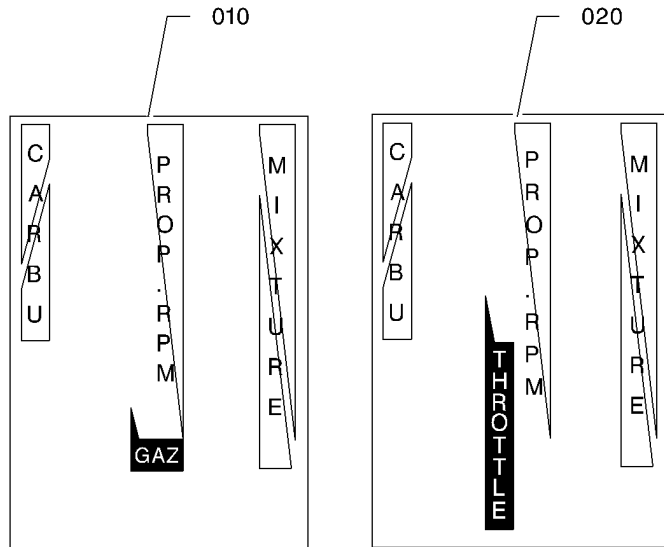
PAGE 1 R

NOV 30/18

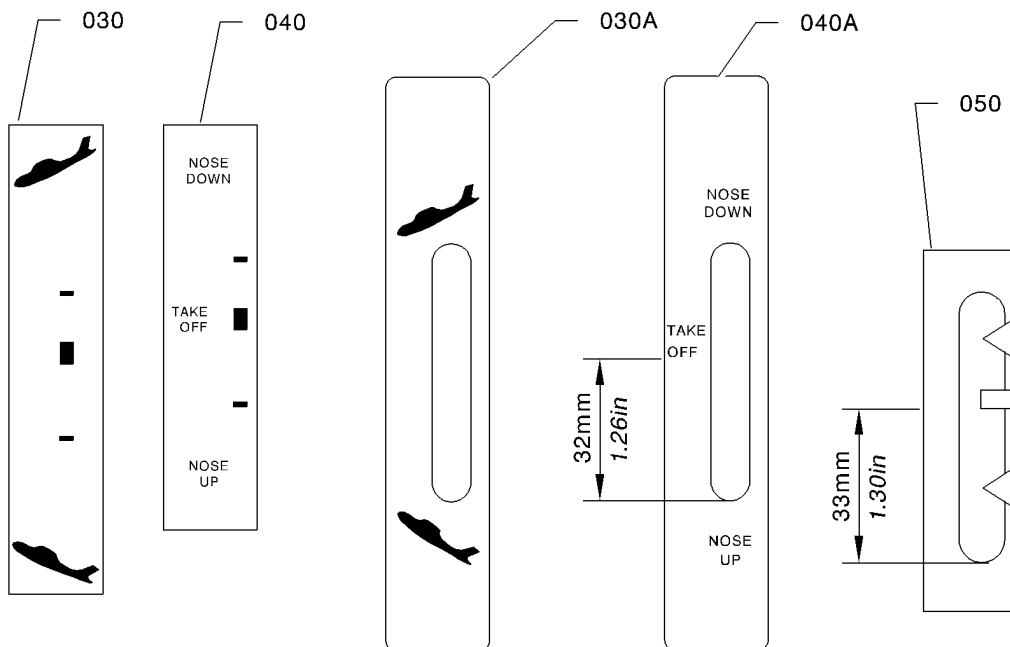
S/N 588, 600, 610 - 9999



(A)



(B)



I4113004AAAFVZ4301

PEDESTAL - CENTRAL PART
FIGURE 1

11-36-02

FIG. 1
PAGE 0 R
NOV 30/18

FIG.ITEM	PART NUMBER	NOMENCLATURE	EFFECT FROM TO	UNITS PER ASSY	OBS
		1234567 			
1 - 1	TF11-36-02-01-001	PEDESTAL - CENTRAL PART		RF	
10	TB10 72500107	.LABEL NOT VALID FOR ENGLISH-SPEAKING COUNTRIES RPLD BY TB10 72070100		1	OR
- 10A	TB10 72070100	.LABEL NOT VALID FOR ENGLISH-SPEAKING COUNTRIES RPLS TB10 72500107		1	
20	TB20 72500136	.LABEL ENGLISH-SPEAKING COUNTRIES RPLD BY TB10 72070102		1	OR
- 20A	TB10 72070102	.LABEL ENGLISH-SPEAKING COUNTRIES RPLS TB20 72500136		1	
30	TB20 72500109	.PLACARD S/N 1 - 587, 589 - 599, 601 - 609, NOT VALID FOR ENGLISH-SPEAKING COUNTRIES RPLD BY TB10 72060103 AND TB10 72060101		1	OR
30A	TB10 72060100	.PLACARD S/N 588, 600, 610 - 764, 766 - 878, NOT VALID FOR ENGLISH-SPEAKING COUNTRIES RPLD BY TB10 72060103		1	OR
- 30B	TB10 72060103	.PLACARD S/N 588, 600, 610 - 764, 766 - 878, NOT VALID FOR ENGLISH-SPEAKING COUNTRIES RPLS TB10 72060100		1	
40	TB10 72500135	.PLACARD S/N 1 - 587, 589 - 599, 601 - 609, ENGLISH-SPEAKING COUNTRIES RPLD BY TB10 72060101 AND TB10 72937102		1	NP
40A	TB10 72937100	.PLACARD S/N 588, 600, 610 - 764, 766 - 878, PAYS DE LANGUE ANGLAISE RPLD BY TB10 72937102		1	OR
- 40B	TB10 72937102	.PLACARD S/N 588, 600, 610 - 764, 766 - 878, PAYS DE LANGUE ANGLAISE RPLS TB10 72937100		1	
50	TB10 72060101	.PLACARD S/N 588, 600, 610 - 764, 766 - 878		1	

- ITEM NOT ILLUSTRATED

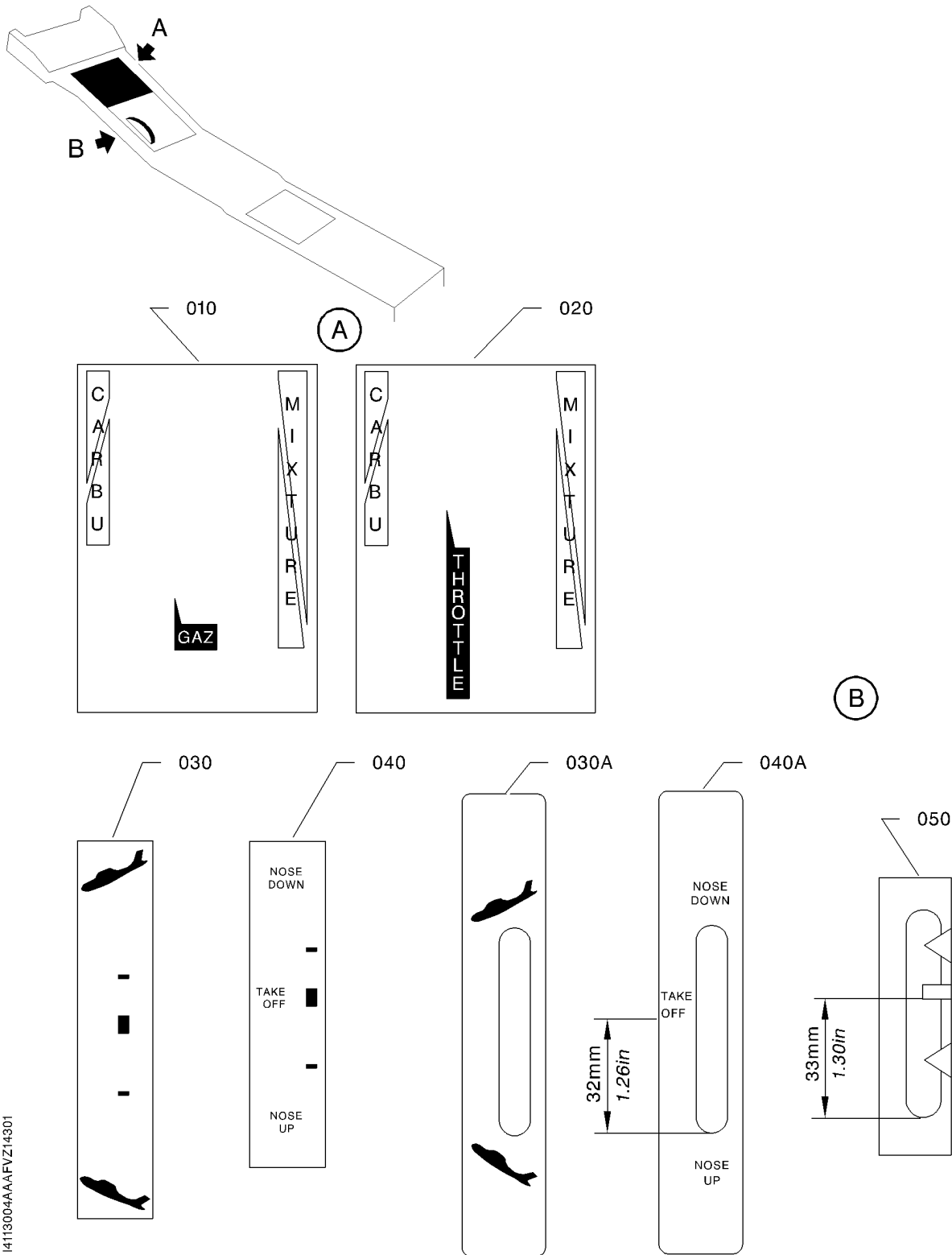
11-36-02

FIG. 1

PAGE 1 R

NOV 30/18

S/N 1 - 764, 766 - 878, WITH CONSTANT SPEED PROPELLER



I4113004AAA FVZ14301

PEDESTAL - CENTRAL PART
FIGURE 1A

11-36-02

FIG. 1A

PAGE 0 R

NOV 30/18

FIG.ITEM	PART NUMBER	1234567 	NOMENCLATURE	EFFECT FROM TO	UNITS PER ASSY	OBS
1A- 1	TF11-36-02-01A-001		PEDESTAL - CENTRAL PART		RF	
10	TB10 72500154		.LABEL S/N 1 - 1635, 1642 - 1647, 1656, 1657, NOT VALID FOR ENGLISH-SPEAKING COUNTRIES RPLD BY TB09 72010100		1	OR
- 10A	TB09 72010100		.LABEL RPLS TB10 72500154		1	
20	TB10 72500155		.LABEL S/N 1 - 1635, 1642 - 1647, 1656, 1657, ENGLISH-SPEAKING COUNTRIES RPLD BY TB09 72010102		1	OR
- 20A	TB09 72010102		.LABEL RPLS TB10 72500155		1	
30	TB20 72500109		.PLACARD S/N 1 - 587, 589 - 599, 601 - 609, NOT VALID FOR ENGLISH-SPEAKING COUNTRIES RPLD BY TB10 72060101 AND TB10 72060103		1	OR
30A	TB10 72060100		.PLACARD S/N 588, 600, 610 - 1635, 1642 - 1647, 1656 - 1657, NOT VALID FOR ENGLISH-SPEAKING COUNTRIES RPLD BY TB10 72060103		1	OR
- 30B	TB10 72060103		.PLACARD NOT VALID FOR ENGLISH-SPEAKING COUNTRIES RPLS TB10 72060100		1	
40	TB10 72500135		.PLACARD S/N 1 - 587, 589 - 599, 601 - 609, ENGLISH-SPEAKING COUNTRIES RPLD BY TB10 72060101 AND TB10 72937102		1	NP
40A	TB10 72937100		.PLACARD S/N 588, 600, 610 - 1635, 1642 - 1647, 1656, 1657, ENGLISH-SPEAKING COUNTRIES RPLD BY TB10 72937102		1	OR
- 40B	TB10 72937102		.PLACARD ENGLISH-SPEAKING COUNTRIES RPLS TB10 72937100		1	
50	TB10 72060101		.PLACARD S/N 588, 600, 610 - 9999		1	

- ITEM NOT ILLUSTRATED

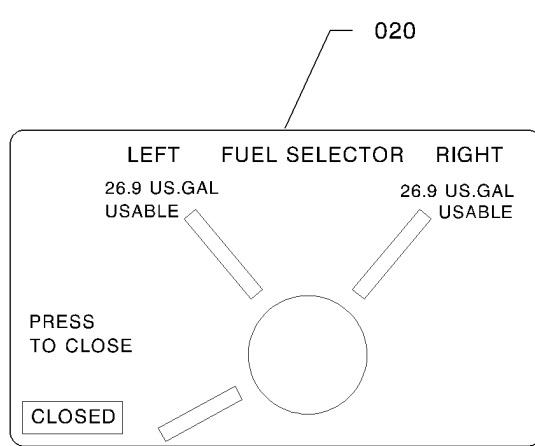
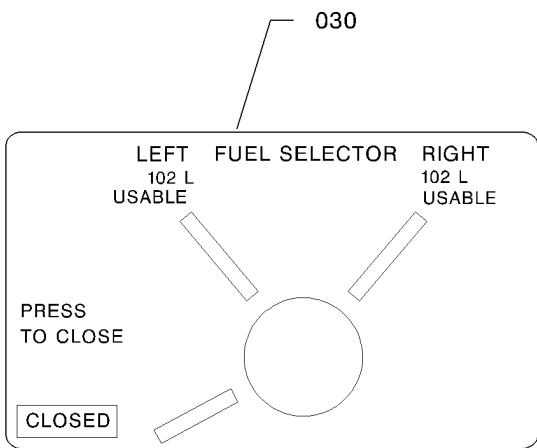
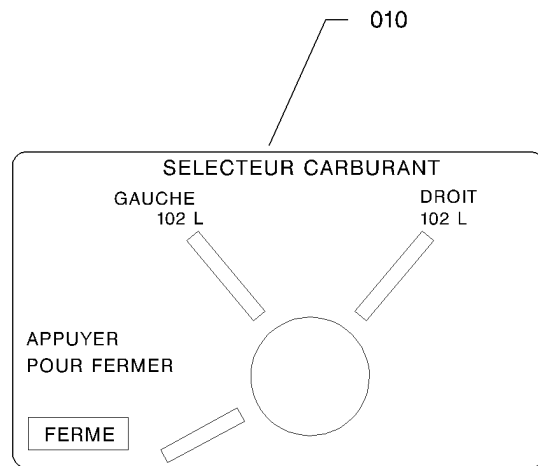
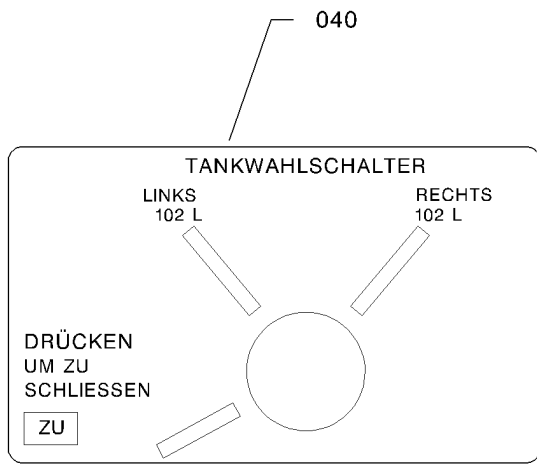
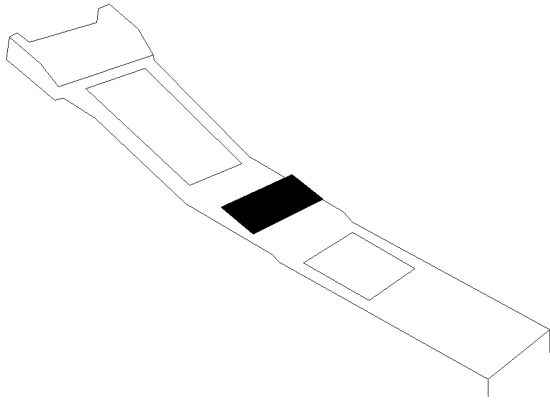
11-36-02

FIG. 1A

PAGE 1 R

NOV 30/18

S/N 1 - 9999 WITH FIXED PITCH PROPELLER



14113004AAACYZ4301

PEDESTAL - REAR PART
FIGURE 1

11-36-03

FIG. 1
PAGE 0 R

NOV 30/18

FIG.ITEM	PART NUMBER	1234567 	NOMENCLATURE	EFFECT FROM TO	UNITS PER ASSY	OBS
1 - 1	TF11-36-03-01-001		PEDESTAL - REAR PART		RF	
10	TB20 72018005		.PLACARD NOT VALID FOR ENGLISH-SPEAKING COUNTRIES		1	
20	TB20 72936010		.PLACARD ENGLISH-SPEAKING COUNTRIES ; U.S. GAL		1	
30	TB20 72936009		.PLACARD ENGLISH-SPEAKING COUNTRIES ; LITERS		1	
40	TB20 72937005		.PLACARD GERMAN		1	

- ITEM NOT ILLUSTRATED

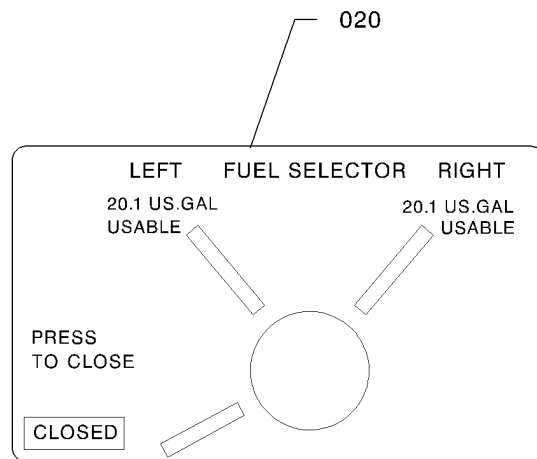
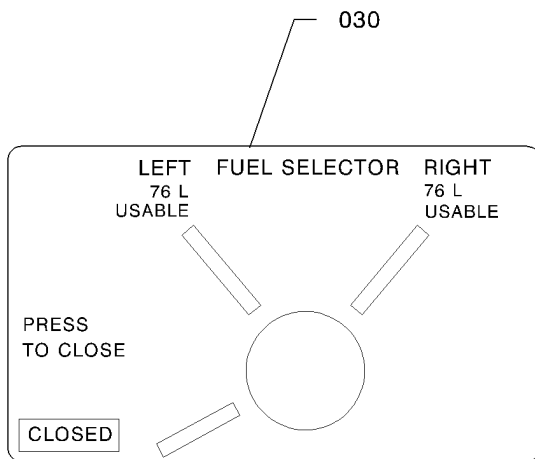
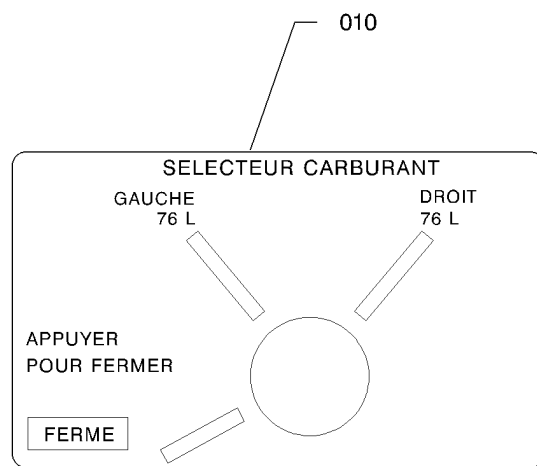
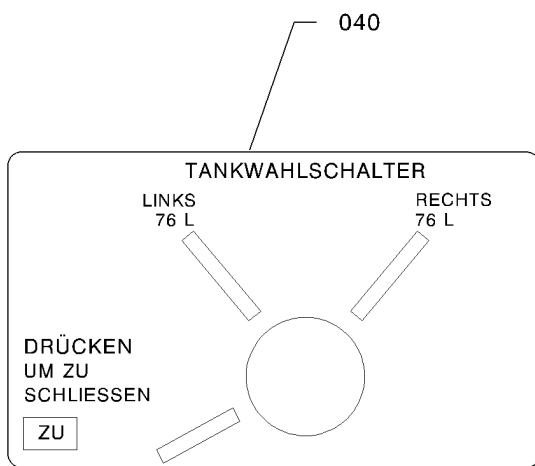
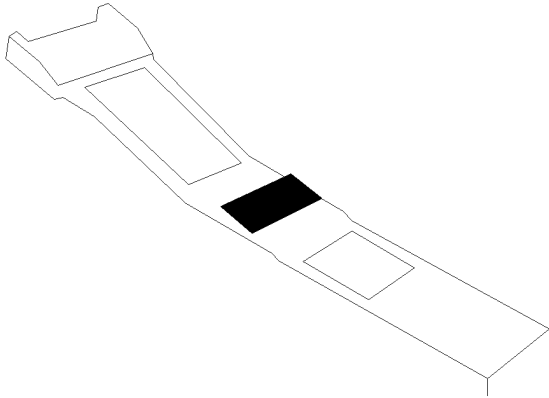
11-36-03

FIG. 1

PAGE 1 R

NOV 30/18

S/N 731 - 764, 766 - 878, WITH FUEL TANKS 26.9 U.S. GAL (102 L)



I4113004AAACYZ4501

PEDESTAL - REAR PART
FIGURE 1A

11-36-03

FIG. 1A

PAGE 0 R

NOV 30/18

FIG.ITEM	PART NUMBER	NOMENCLATURE	EFFECT FROM TO	UNITS PER ASSY	OBS
		1234567 			
1A- 1	TF11-36-03-01A-001	PEDESTAL - REAR PART		RF	
10	TB20 72018004	.PLACARD NOT VALID FOR ENGLISH-SPEAKING COUNTRIES		1	
20	TB20 72936008	.PLACARD ENGLISH-SPEAKING COUNTRIES ; U.S. GAL		1	
30	TB20 72936007	.PLACARD ENGLISH-SPEAKING COUNTRIES ; LITERS		1	
40	TB20 72937004	.PLACARD GERMAN		1	

- ITEM NOT ILLUSTRATED

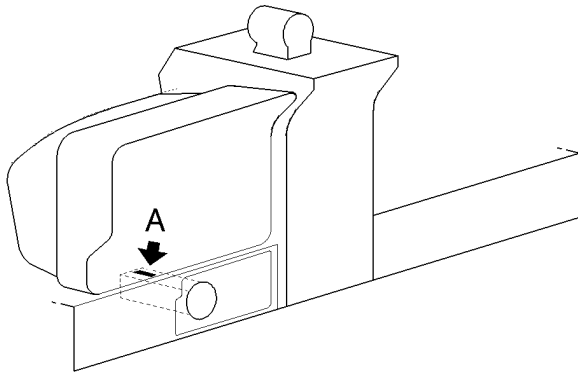
11-36-03

FIG. 1A

PAGE 1 R

NOV 30/18

S/N 731 - 9999 WITH FUEL TANKS 20.1 U.S. GAL (76 L)

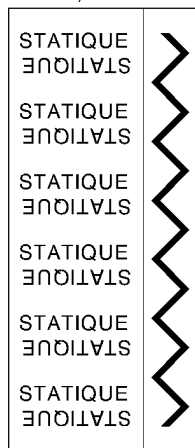


(A)

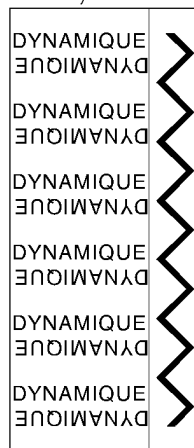
010

WARNING
 THIS STORMSCOPE PROCESSOR HAS BEEN
 RETROFITTED TO WX10 STANDARD FOR
 RMI REASONS AT SOCATA'S
 NOT INTERCHANGEABLE WITH WX10A

030



020



I4113004AAAMWZ4301

MISCELLANEOUS
 FIGURE 1

11-37-00

FIG. 1
 PAGE 0 R

NOV 30/18

FIG.ITEM	PART NUMBER	NOMENCLATURE	EFFECT FROM TO	UNITS PER ASSY	OBS
1 - 1	TB11-37-00-01-001	MISCELLANEOUS		RF	
10	TB20 72926102	.LABEL		1	
20	7131790164	OPTION OPT10 0647 .CARD (QTY 10)		AR	
30	7131790170	STATIC CIRCUIT .CARD (QTY 10) VF0331		AR	
		OPT TO L40-200 STATIQUE MADE BY VF0331			
		DYNAMIC CIRCUIT			

- ITEM NOT ILLUSTRATED

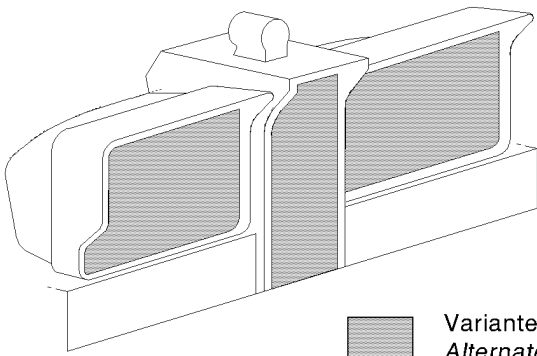
11-37-00

FIG. 1

PAGE 1 R

NOV 30/18

OPTION



■ Variante de localisation
Alternate location

010

SI LA TENSION EST INFÉRIEURE A 13 VOLTS (EN DESSOUS DE LA
PLAGE VERTE), LA QUANTITE CARBURANT EST SURESTIMÉE

IF VOLTAGE IS LOWER THAN 13 VOLTS (BELOW GREEN RANGE)
FUEL QUANTITY IS OVER-ESTIMATED

WENN DIE SPANNUNG UNTER 13 VOLTS (UNTER DEM GRÜNEN
BOGEN) IST, IST DIE KRAFTSTOFFMENGE ÜBERBEWERTET

I4113009AAAXXZ24500

MISCELLANEOUS
FIGURE 2

FIG.ITEM	PART NUMBER	NOMENCLATURE	EFFECT FROM TO	UNITS PER ASSY	OBS
2 - 1 10	TB11-37-00-02-001 TB10 7207110000	<div style="text-align: center;"> 1234567 </div> MISCELLANEOUS .LABEL SB 10-099-28		RF 1	

- ITEM NOT ILLUSTRATED

SEE SB 10-099-28

11-37-00

FIG. 2

PAGE 1 R

NOV 30/18

PAGE INTENTIONALLY BLANK