

12

SERVICING

CHAPTER 12
SERVICING
LIST OF EFFECTIVE PAGES

| CH-SECT | | | | CH-SECT | | | |
|----------|----------|------|-----------|---------|----------|------|------|
| | UNIT-FIG | PAGE | DATE | | UNIT-FIG | PAGE | DATE |
| LEP | | 1 * | NOV 30/18 | | | | |
| LEP | | 2 * | NOV 30/18 | | | | |
| TOC | | 1 * | NOV 30/18 | | | | |
| 12-10-00 | 1 | 0 * | NOV 30/18 | | | | |
| 12-10-00 | 1 | 1 * | NOV 30/18 | | | | |
| 12-10-00 | 1 | 2 * | NOV 30/18 | | | | |

* THE ASTERISK INDICATES PAGES CHANGED, ADDED OR DELETED

12 - LIST OF EFFECTIVE PAGES

PAGE INTENTIONALLY BLANK

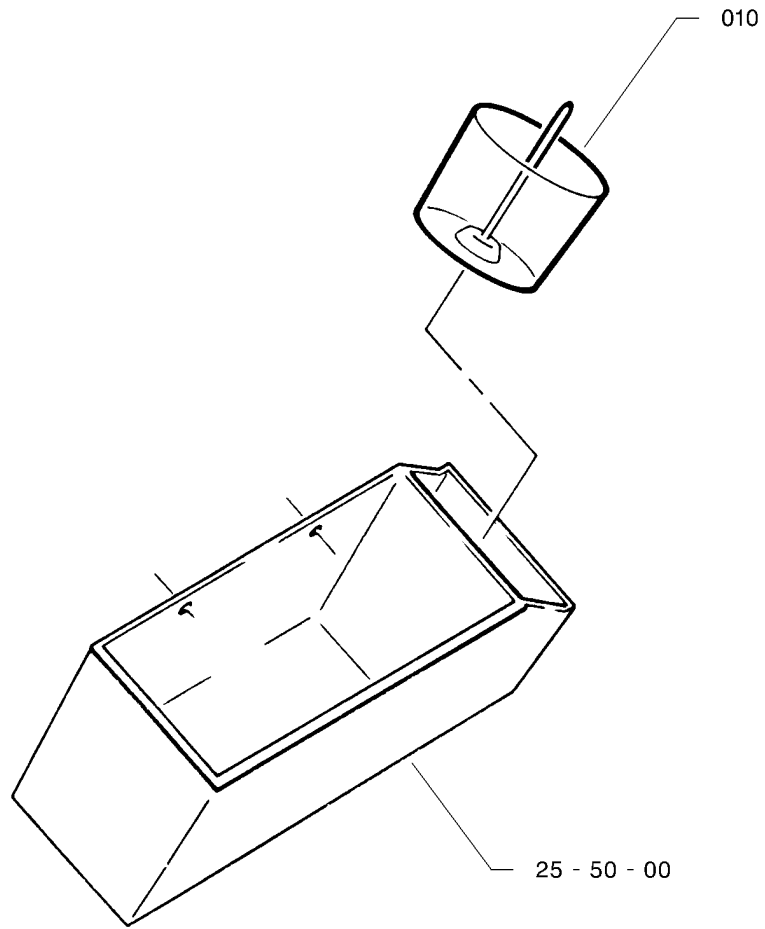
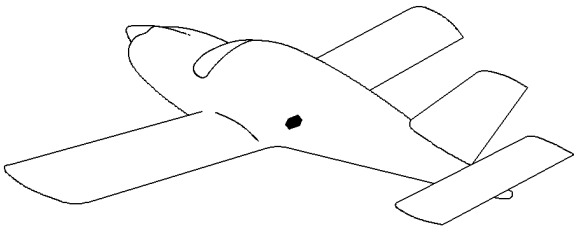
12 - LIST OF EFFECTIVE PAGES

PAGE 2

NOV 30/18

CHAPTER 12
SERVICING
TABLE OF CONTENTS

| SUBJECT | CHAPTER SECTION FIG. SUBJECT | VALIDITY |
|---------|------------------------------------|--------------|
| FUELING | 12-10 | |
| FUELING | 12-10-00 1 | S/N 1 - 9999 |



I4121000AAAAYZ4300

FUELING
FIGURE 1

12-10-00

FIG. 1
PAGE 0 R

NOV 30/18

| FIG.ITEM | PART NUMBER | NOMENCLATURE | EFFECT FROM TO | UNITS PER ASSY | OBS |
|-------------|---------------------------------|---|-------------------|----------------------|-----|
| 1 - 1 10 | TB12-10-00-01-001 6023657220 | <div style="text-align: center;"> 1234567 </div> FUELING .TEST TUBE DANSEN 391D | | RF 1 | |

- ITEM NOT ILLUSTRATED

12-10-00

FIG. 1

PAGE 1 R

NOV 30/18

S/N 1 - 9999

PAGE INTENTIONALLY BLANK