

**22**

**AUTO FLIGHT**



CHAPTER 22  
 AUTO FLIGHT  
 LIST OF EFFECTIVE PAGES

CH-SECT				CH-SECT			
	UNIT-FIG	PAGE	DATE		UNIT-FIG	PAGE	DATE
LEP		1 *	NOV 30/18				
LEP		2 *	NOV 30/18				
TOC		1 *	NOV 30/18				
22-00-00	1	0 *	NOV 30/18				
22-00-00	1	1 *	NOV 30/18				
22-00-00	1	2 *	NOV 30/18				

\* THE ASTERISK INDICATES PAGES CHANGED, ADDED OR DELETED

**22 - LIST OF EFFECTIVE PAGES**

PAGE INTENTIONALLY BLANK

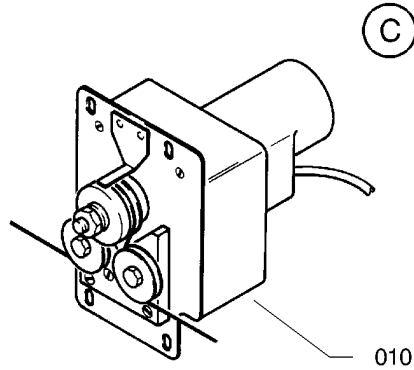
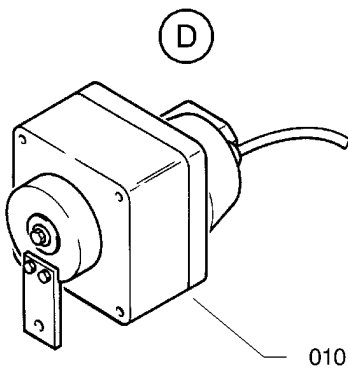
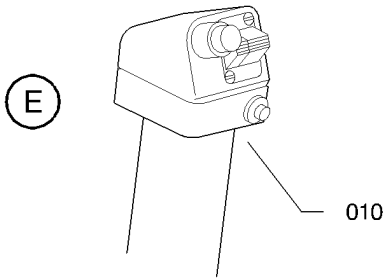
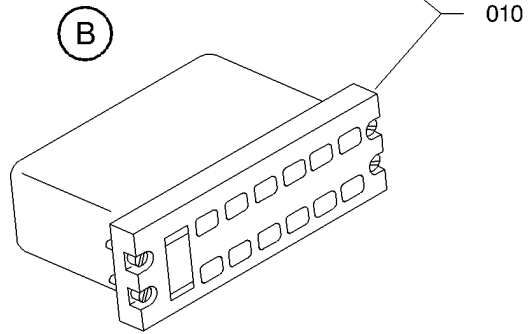
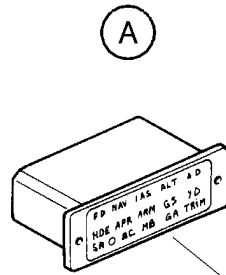
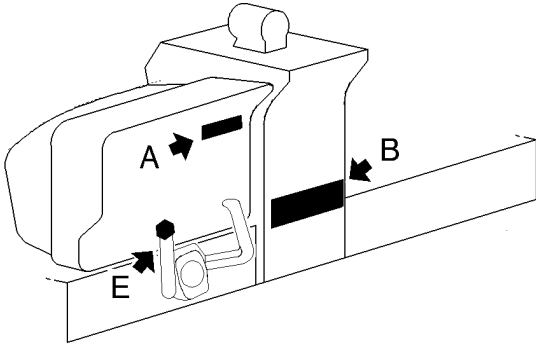
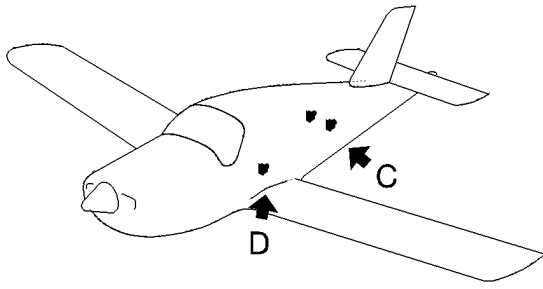
**22 - LIST OF EFFECTIVE PAGES**

PAGE 2

NOV 30/18

CHAPTER 22  
AUTO FLIGHT  
TABLE OF CONTENTS

SUBJECT	CHAPTER SECTION SUBJECT	FIG. SUBJECT	VALIDITY
AUTO FLIGHT	22-00		
AUTO FLIGHT	22-00-00	1	OPTION



H4220000AAQYZ4304

AUTO FLIGHT  
FIGURE 1

**22-00-00**

FIG. 1

PAGE 0 R

NOV 30/18

OPTION

FIG.ITEM	PART NUMBER	NOMENCLATURE	EFFECT FROM TO	UNITS PER ASSY	OBS
1 - 1 10	TF22-00-00-01-001 22-00-OPT	<div style="text-align: center;">                     1234567  </div> AUTO FLIGHT .AUTOPILOT		RF 1	

- ITEM NOT ILLUSTRATED

**22-00-00**

FIG. 1

PAGE 1 R

NOV 30/18

OPTION

PAGE INTENTIONALLY BLANK