

23

COMMUNICATIONS

CHAPTER 23
COMMUNICATIONS
LIST OF EFFECTIVE PAGES

CH-SECT	UNIT-FIG	PAGE	DATE	CH-SECT	UNIT-FIG	PAGE	DATE
LEP		1 *	NOV 30/18				
LEP		2 *	NOV 30/18				
TOC		1 *	NOV 30/18				
TOC		2 *	NOV 30/18				
TOC		3 *	NOV 30/18				
23-10-00	1	0 *	NOV 30/18				
23-10-00	1	1 *	NOV 30/18				
23-12-02	1	0 *	NOV 30/18				
23-12-02	1	1 *	NOV 30/18				
23-12-06	1	0 *	NOV 30/18				
23-12-06	1	1 *	NOV 30/18				
23-60-00	1	0 *	NOV 30/18				
23-60-00	1	1 *	NOV 30/18				
23-60-00	1	2 *	NOV 30/18				

* THE ASTERISK INDICATES PAGES CHANGED, ADDED OR DELETED

23 - LIST OF EFFECTIVE PAGES

PAGE INTENTIONALLY BLANK

23 - LIST OF EFFECTIVE PAGES

PAGE 2

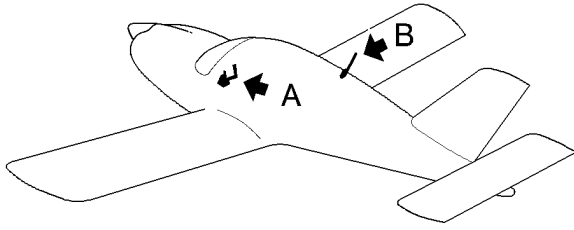
NOV 30/18

CHAPTER 23
COMMUNICATIONS
TABLE OF CONTENTS

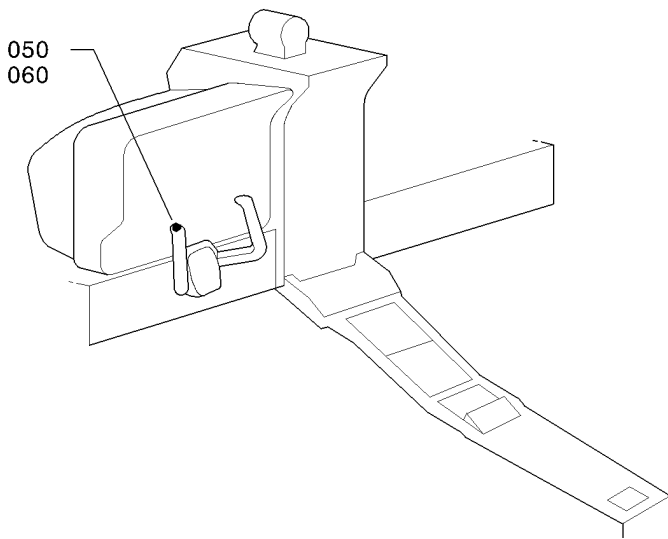
SUBJECT	CHAPTER SECTION FIG. SUBJECT	VALIDITY
RADIO-TELEPHONIC COMMUNICATIONS	23-10	
RADIO-TELEPHONIC COMMUNICATIONS	23-10-00 1	STD S/N 1 - 9999
COM1	23-12-00	
VHF1 ANTENNA	23-12-02 1	S/N 1 - 9999 POST-MOD. 151
RADIO MASTER RELAY	23-12-06 1	S/N 1 - 9999 POST-MOD. 151

SUBJECT	CHAPTER SECTION FIG. SUBJECT	VALIDITY
STATIC DISCHARGER	23-60	
STATIC DISCHARGER	23-60-00 1	S/N 1 - 9999

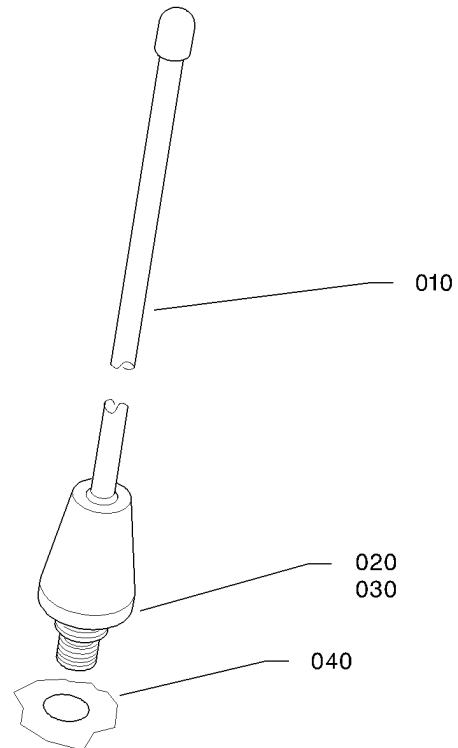
PAGE INTENTIONALLY BLANK



(A)



(B)



14231000AAAAYZ4304

RADIO-TELEPHONIC COMMUNICATIONS
FIGURE 1

23-10-00

FIG. 1
PAGE 0 R

NOV 30/18

FIG. ITEM	PART NUMBER	NOMENCLATURE		EFFECT FROM TO	UNITS PER ASSY	OBS
		1234567 				
1 - 1	TB23-10-00-01-001		RADIO-TELEPHONIC COMMUNICATIONS		RF	
10	6053167223		.VHF ANTENNA S/N 1 - 1836 RPLD BY 6053167224		1	OR
- 10A	6053167224		.VHF ANTENNA PRE-MOD. 151 RPLS 6053167223		1	
- 10B	23-12-OPT		.(FAIRED) RIGID ANTENNA PRE-MOD. 151		1	
20	TB10 73020102		.WASHER PRE-MOD. 151		1	
30	7423698006		.SEAL PRE-MOD. 151		1	
40	TB10 65015114		.REINFORCEMENT PLATE PRE-MOD. 151 RPLD BY TB10 65015117		1	OR
- 40A	TB10 65015117		.REINFORCEMENT PLATE PRE-MOD. 151 RPLS TB10 65015114 RPLD BY TB10 6501511701		1	OR
- 40B	TB10 6501511701		.REINFORCEMENT PLATE PRE-MOD. 151 RPLS TB10 65015117		1	OR
50	7388070411		.PUSHBUTTON OPT TO 9633NA MADE BY VF7507		1	
60	TB10 27047110		.SUPPORT		1	

R

- ITEM NOT ILLUSTRATED

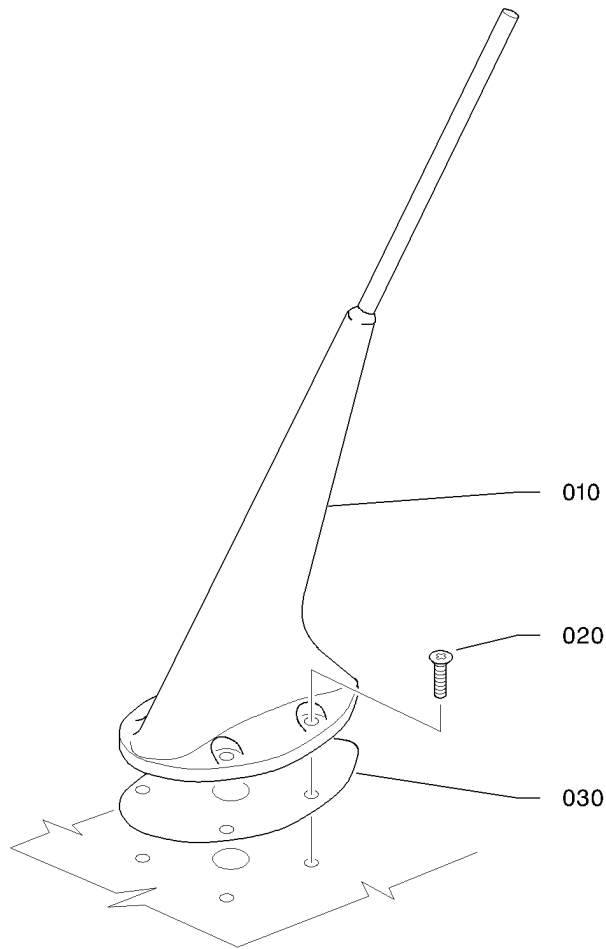
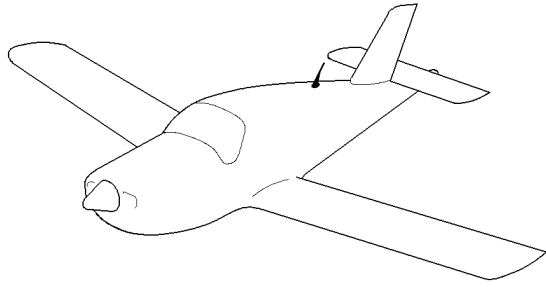
23-10-00

FIG. 1

PAGE 1

NOV 30/18

STD S/N 1 - 9999



I4231000AAAAYZ24300

VHF1 ANTENNA
FIGURE 1

23-12-02

FIG. 1
PAGE 0 R

NOV 30/18

FIG.ITEM	PART NUMBER	1234567 	NOMENCLATURE	EFFECT FROM TO	UNITS PER ASSY	OBS
1 - 1	TB23-12-02-01-001		VHF1 ANTENNA		RF	
10	6020607225		.ANTENNA		1	
20	5150624008		.SCREW OPT TO MS24694-S8 MADE BY V80205		4	R
30	7423111701		.GASKET		1	

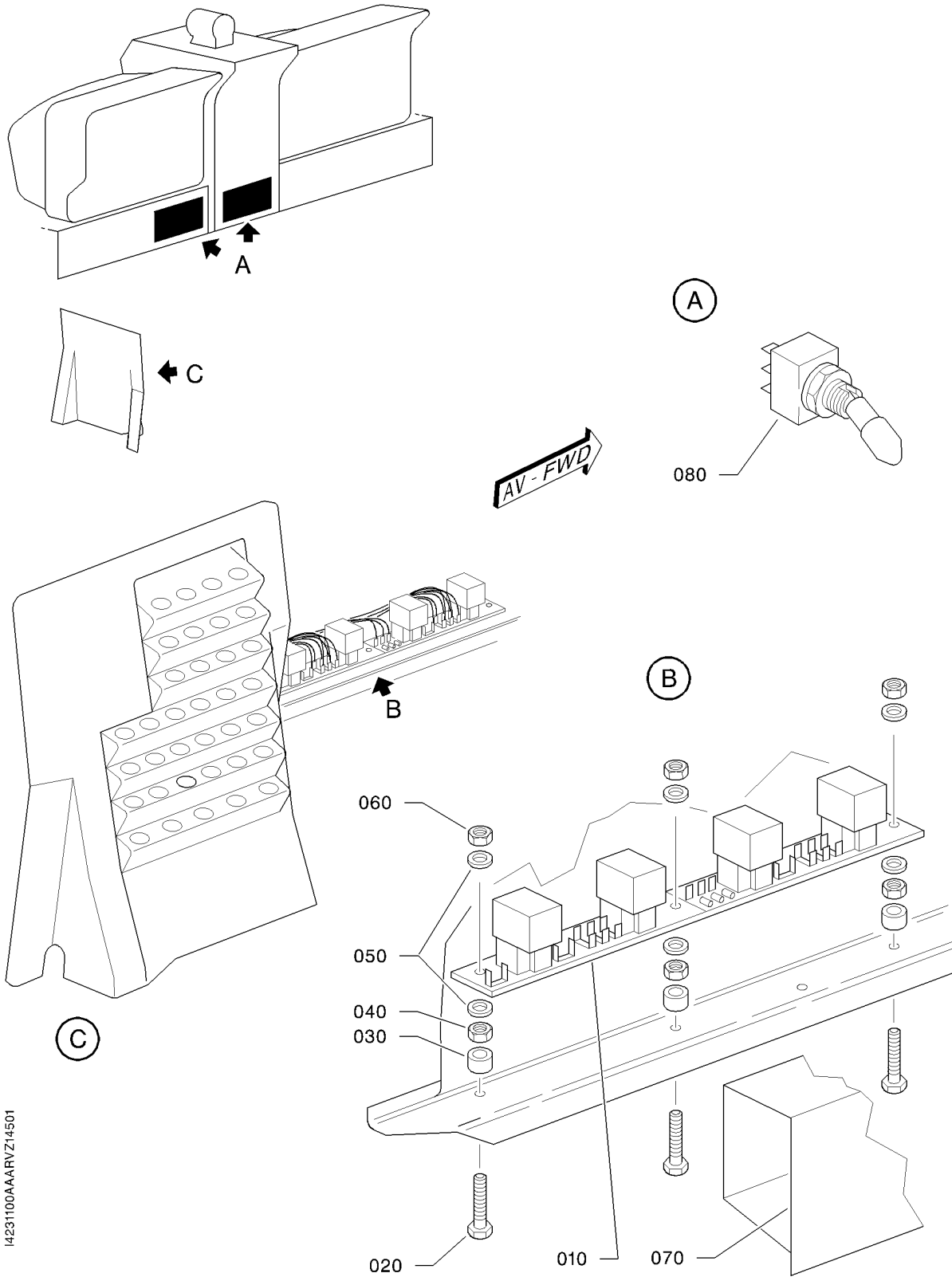
- ITEM NOT ILLUSTRATED

23-12-02

FIG. 1

PAGE 1

NOV 30/18



RADIO MASTER RELAY
FIGURE 1

23-12-06

FIG. 1
PAGE 0 R
NOV 30/18

1423100AAARVZ14501

FIG.ITEM	PART NUMBER	NOMENCLATURE		EFFECT FROM TO	UNITS PER ASSY	OBS
		1234567 				
1 - 1	TB23-12-06-01-001		RADIO MASTER RELAY		RF	
10	TB20 65746000		.RADIO MASTER SWITCH CIRCUIT ATTACHING PARTS		1	
20	5102953103		.BOLT VF0111 OPT TO NF E27311H40Q28AGUL MADE BY VF0111		3	
30	TB10 09001137		.SPACER		3	
40	5303945159		.NUT VF0110 OPT TO NFE27411A40QAGUL MADE BY VF0110		3	
50	7743700202		.WASHER VF2521 OPT TO 0425P1000E1.2 MADE BY VF2521		6	
60	5401458159		.NUT OPT TO E25412B40QQVAL MADE BY VF0110 SUPSD BY 5414468159		3	R
- 60A	5414468159		.NUT OPT TO 4PH135M MADE BY VF0224 SUPSDS 5401458159 * * *		3	R
70	TB20 6574511200		.INSULATING COVER PLATE		2	
80	7388076354		.SWITCH		1	

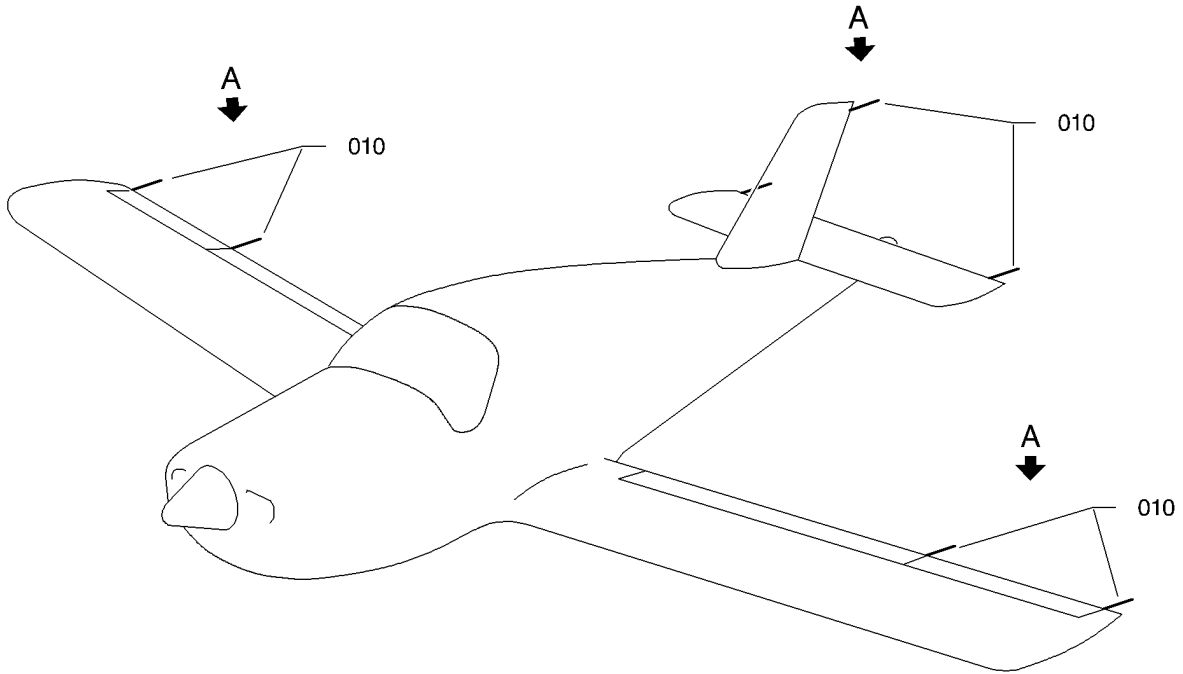
- ITEM NOT ILLUSTRATED

23-12-06

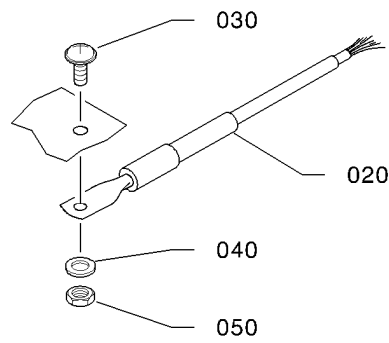
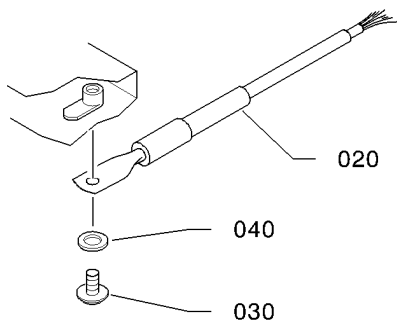
FIG. 1

PAGE 1

NOV 30/18



(A)



I4236000AAA CVZ4300

STATIC DISCHARGER
FIGURE 1

23-60-00

FIG. 1
PAGE 0 R

NOV 30/18

FIG.ITEM	PART NUMBER	NOMENCLATURE		EFFECT FROM TO	UNITS PER ASSY	OBS
		1234567 				
1 - 1	TB23-60-00-01-001		STATIC DISCHARGER		RF	
10	23-60-OPT		.STATIC DISCHARGER PRE-MOD. 151		1	
20	TB20 61911001		.STATIC DISCHARGER POST-MOD. 151		7	
30	5169902075		ATTACHING PARTS .SCREW OPT TO E2712840Q10CCU MADE BY VF0110 POST-MOD. 151		6	R
40	5701039160		.WASHER OPT TO NFL23111AD040L MADE BY VF0111 POST-MOD. 151		6	R
50	5401458159		.NUT OPT TO E25412B40QQVAL MADE BY VF0110 POST-MOD. 151 SUPSD BY 5414468159		4	R
- 50A	5414468159		.NUT OPT TO 4PH135M MADE BY VF0224 POST-MOD. 151 SUPSDS 5401458159 * * *		4	R

- ITEM NOT ILLUSTRATED

23-60-00

FIG. 1

PAGE 1

NOV 30/18

S/N 1 - 9999

PAGE INTENTIONALLY BLANK