

24

**ELECTRICAL
POWER**

CHAPTER 24
ELECTRICAL POWER
LIST OF EFFECTIVE PAGES

CH-SECT	UNIT-FIG	PAGE	DATE	CH-SECT	UNIT-FIG	PAGE	DATE
LEP		1 *	NOV 30/18	24-50-01	1A	0 *	NOV 30/18
LEP		2 *	NOV 30/18	24-50-01	1A	1 *	NOV 30/18
TOC		1 *	NOV 30/18	24-50-02	1	0 *	NOV 30/18
TOC		2 *	NOV 30/18	24-50-02	1	1 *	NOV 30/18
TOC		3 *	NOV 30/18	24-50-03	1	0 *	NOV 30/18
TOC		4 *	NOV 30/18	24-50-03	1	1 *	NOV 30/18
TOC		5 *	NOV 30/18	24-50-03	1	2 *	NOV 30/18
24-00-00	1	0 *	NOV 30/18	24-50-03	1	3 *	NOV 30/18
24-00-00	1	1 *	NOV 30/18	24-50-03	1A	0 *	NOV 30/18
24-30-00	1	0 *	NOV 30/18	24-50-03	1A	1 *	NOV 30/18
24-30-00	1	1 *	NOV 30/18	24-50-03	1A	2 *	NOV 30/18
24-30-01	1	0 *	NOV 30/18	24-50-03	1A	3 *	NOV 30/18
24-30-01	1	1 *	NOV 30/18	24-50-03	1B	0 *	NOV 30/18
24-30-01	1A	0 *	NOV 30/18	24-50-03	1B	1 *	NOV 30/18
24-30-01	1A	1 *	NOV 30/18	24-50-03	1C	0 *	NOV 30/18
24-30-01	1B	0 *	NOV 30/18	24-50-03	1C	1 *	NOV 30/18
24-30-01	1B	1 *	NOV 30/18	24-50-03	1D	0 *	NOV 30/18
24-30-02	1	0 *	NOV 30/18	24-50-03	1D	1 *	NOV 30/18
24-30-02	1	1 *	NOV 30/18	24-50-03	1E	0 *	NOV 30/18
24-30-02	1	2 *	NOV 30/18	24-50-03	1E	1 *	NOV 30/18
24-30-02	1	3 *	NOV 30/18	24-50-04	1	0 *	NOV 30/18
24-30-02	1A	0 *	NOV 30/18	24-50-04	1	1 *	NOV 30/18
24-30-02	1A	1 *	NOV 30/18	24-50-04	1	2 *	NOV 30/18
24-30-03	1	0 *	NOV 30/18	24-50-04	1	3 *	NOV 30/18
24-30-03	1	1 *	NOV 30/18	24-50-04	1A	0 *	NOV 30/18
24-30-03	1	2 *	NOV 30/18	24-50-04	1A	1 *	NOV 30/18
24-30-03	1	3 *	NOV 30/18	24-50-04	1B	0 *	NOV 30/18
24-30-03	1A	0 *	NOV 30/18	24-50-04	1B	1 *	NOV 30/18
24-30-03	1A	1 *	NOV 30/18	24-50-04	1C	0 *	NOV 30/18
24-30-03	1A	2 *	NOV 30/18	24-50-04	1C	1 *	NOV 30/18
24-30-03	1A	3 *	NOV 30/18	24-50-04	1D	0 *	NOV 30/18
24-40-00	1	0 *	NOV 30/18	24-50-04	1D	1 *	NOV 30/18
24-40-00	1	1 *	NOV 30/18	24-50-04	1D	2 *	NOV 30/18
24-40-01	1	0 *	NOV 30/18				
24-40-01	1	1 *	NOV 30/18				
24-40-01	2	0 *	NOV 30/18				
24-40-01	2	1 *	NOV 30/18				
24-50-00	1	0 *	NOV 30/18				
24-50-00	1	1 *	NOV 30/18				
24-50-01	1	0 *	NOV 30/18				
24-50-01	1	1 *	NOV 30/18				

* THE ASTERISK INDICATES PAGES CHANGED, ADDED OR DELETED

24 - LIST OF EFFECTIVE PAGES

PAGE 1

PAGE INTENTIONALLY BLANK

24 - LIST OF EFFECTIVE PAGES

PAGE 2

NOV 30/18

CHAPTER 24
ELECTRICAL POWER
TABLE OF CONTENTS

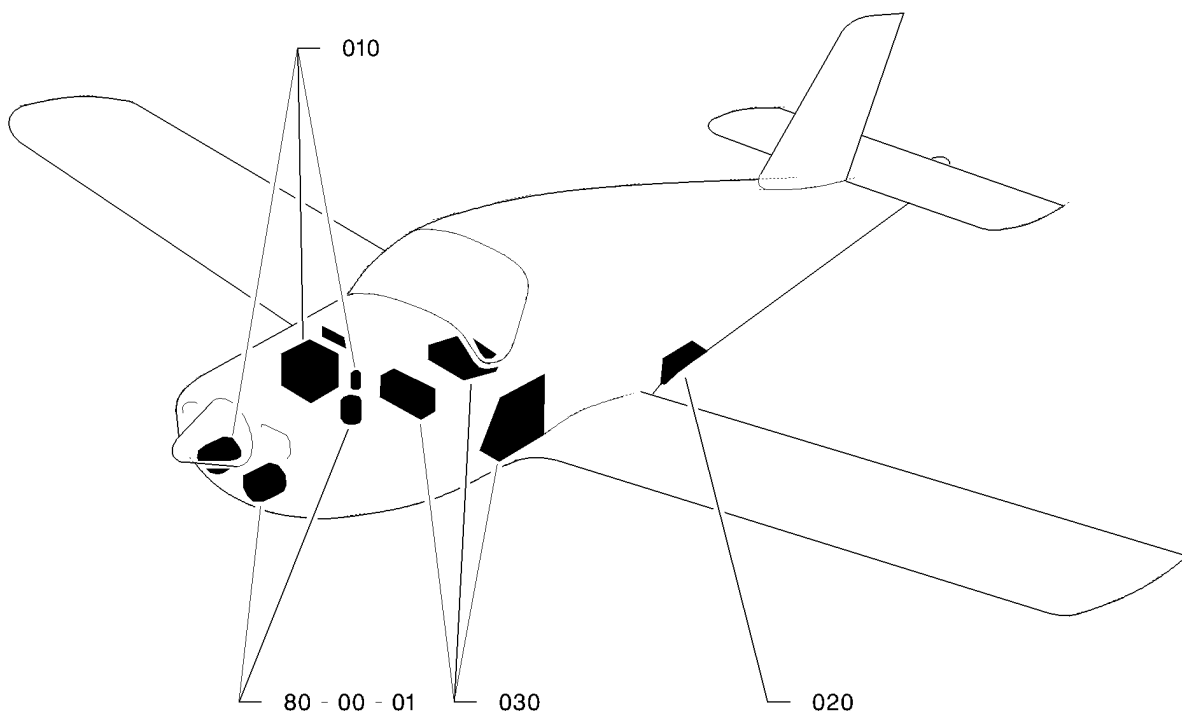
SUBJECT	CHAPTER SECTION FIG. SUBJECT	VALIDITY
ELECTRIC GENERATION SYSTEM	24-00	
ELECTRICAL POWER	24-00-00 1	S/N 1 - 9999

SUBJECT	CHAPTER SECTION FIG. SUBJECT	VALIDITY
DC GENERATION	24-30	
DC GENERATION	24-30-00 1	S/N 1 - 9999
ALTERNATOR	24-30-01 1	S/N 1 - 400
ALTERNATOR	24-30-01 1A	S/N 401 - 822, 850 - 887, 889 - 947
ALTERNATOR	24-30-01 1B	S/N 823 - 849, 888, 948 - 9999
BATTERY	24-30-02 1	S/N 1 - 822, 850 - 887, 889 - 947
BATTERY	24-30-02 1A	S/N 823 - 849, 888, 948 - 9999
MISCELLANEOUS	24-30-03 1	S/N 1 - 822, 850 - 887, 889 - 947
MISCELLANEOUS	24-30-03 1A	S/N 823 - 849, 888, 948 - 9999

SUBJECT	CHAPTER SECTION FIG. SUBJECT	VALIDITY
EXTERNAL POWER SUPPLY	24-40	
EXTERNAL POWER SUPPLY	24-40-00 1	S/N 1 - 9999
GROUND POWER RECEPTACLE	24-40-01 1	S/N 1 - 9999 POST-MOD. 151
GROUND POWER RECEPTACLE EXTENSION	24-40-01 2	S/N 1 - 9999 POST-MOD. 151

SUBJECT	CHAPTER SECTION FIG. SUBJECT	VALIDITY
DISTRIBUTION	24-50	
DISTRIBUTION	24-50-00 1	S/N 1 - 9999
FUSES	24-50-01 1	S/N 1 - 822, 850 - 887, 889 - 947
FUSES	24-50-01 1A	S/N 823 - 849, 888, 948 - 9999
BUS BARS	24-50-02 1	S/N 1 - 9999
"PULL-OFF" TYPE CB AND CB	24-50-03 1	S/N 1 - 180
"PULL-OFF" TYPE CB AND CB	24-50-03 1A	S/N 181 - 764, 766 - 822, 850 - 878
"PULL-OFF" TYPE CB AND CB	24-50-03 1B	S/N 765, 879 - 887, 889 - 947
"PULL-OFF" TYPE CB AND CB	24-50-03 1C	S/N 823 - 849, 888, 948 - 1850
"PULL-OFF" TYPE CB AND CB	24-50-03 1D	SPRINT PRE-MOD. 151
"PULL-OFF" TYPE CB AND CB	24-50-03 1E	S/N 1 - 9999 POST-MOD. 151
SWITCHES	24-50-04 1	S/N 1 - 764, 766 - 822, 850 - 878
SWITCHES	24-50-04 1A	S/N 765, 879 - 887, 889 - 947
SWITCHES	24-50-04 1B	S/N 823 - 849, 888, 948 - 1850
SWITCHES	24-50-04 1C	SPRINT PRE-MOD. 151
SWITCHES	24-50-04 1D	S/N 1 - 9999 POST-MOD. 151

PAGE INTENTIONALLY BLANK



I424000AAADYZ4300

ELECTRICAL POWER
FIGURE 1

24-00-00

FIG. 1
PAGE 0 R

NOV 30/18

FIG.ITEM	PART NUMBER	NOMENCLATURE	EFFECT FROM TO	UNITS PER ASSY	OBS
1 - 1 10 20 30	TF24-00-00-01-001 TB24-30-00-01 TB24-40-00-01 TB24-50-00-01	1234567 ELECTRICAL POWER .DC GENERATION .EXTERNAL POWER SUPPLY .DISTRIBUTION		RF 1 1 1	

- ITEM NOT ILLUSTRATED

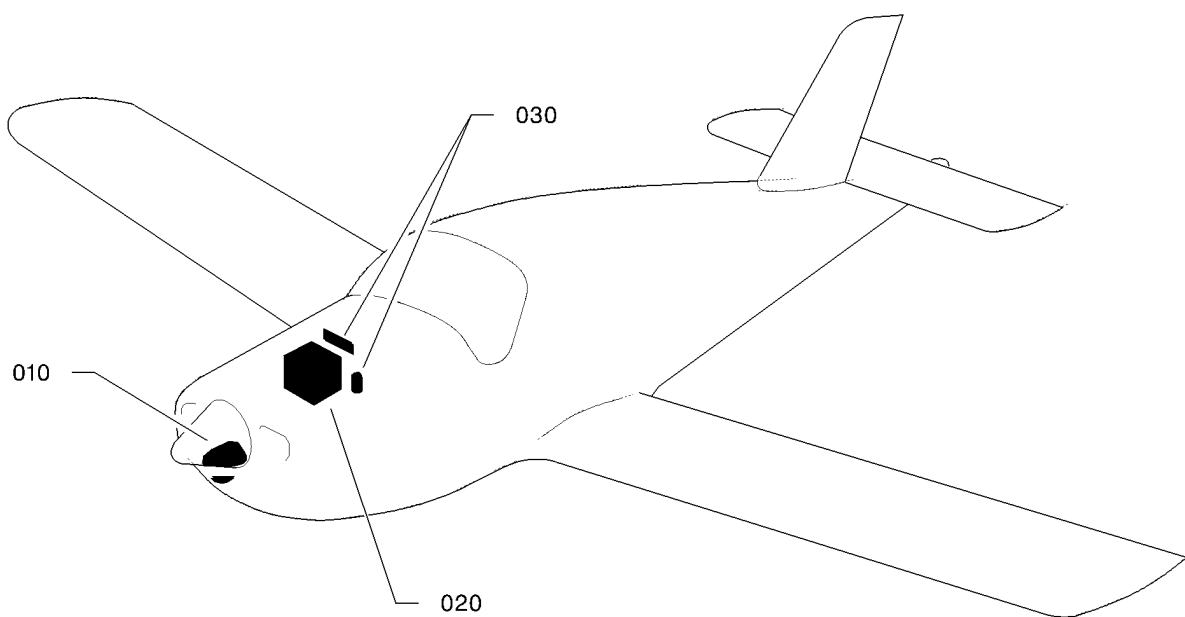
24-00-00

FIG. 1

PAGE 1 R

NOV 30/18

S/N 1 - 9999



I4240000AAADYZ4400

DC GENERATION
FIGURE 1

24-30-00

FIG. 1
PAGE 0 R

NOV 30/18

FIG.ITEM	PART NUMBER	NOMENCLATURE	EFFECT FROM TO	UNITS PER ASSY	OBS
1 - 1 10 20 30	TF24-30-00-01-001 TB24-30-01-01 TB24-30-02-01 TB24-30-03-01	<div style="text-align: center;"> 1234567 </div> DC GENERATION .ALTERNATOR .BATTERY .MISCELLANEOUS		RF 1 1 1	

- ITEM NOT ILLUSTRATED

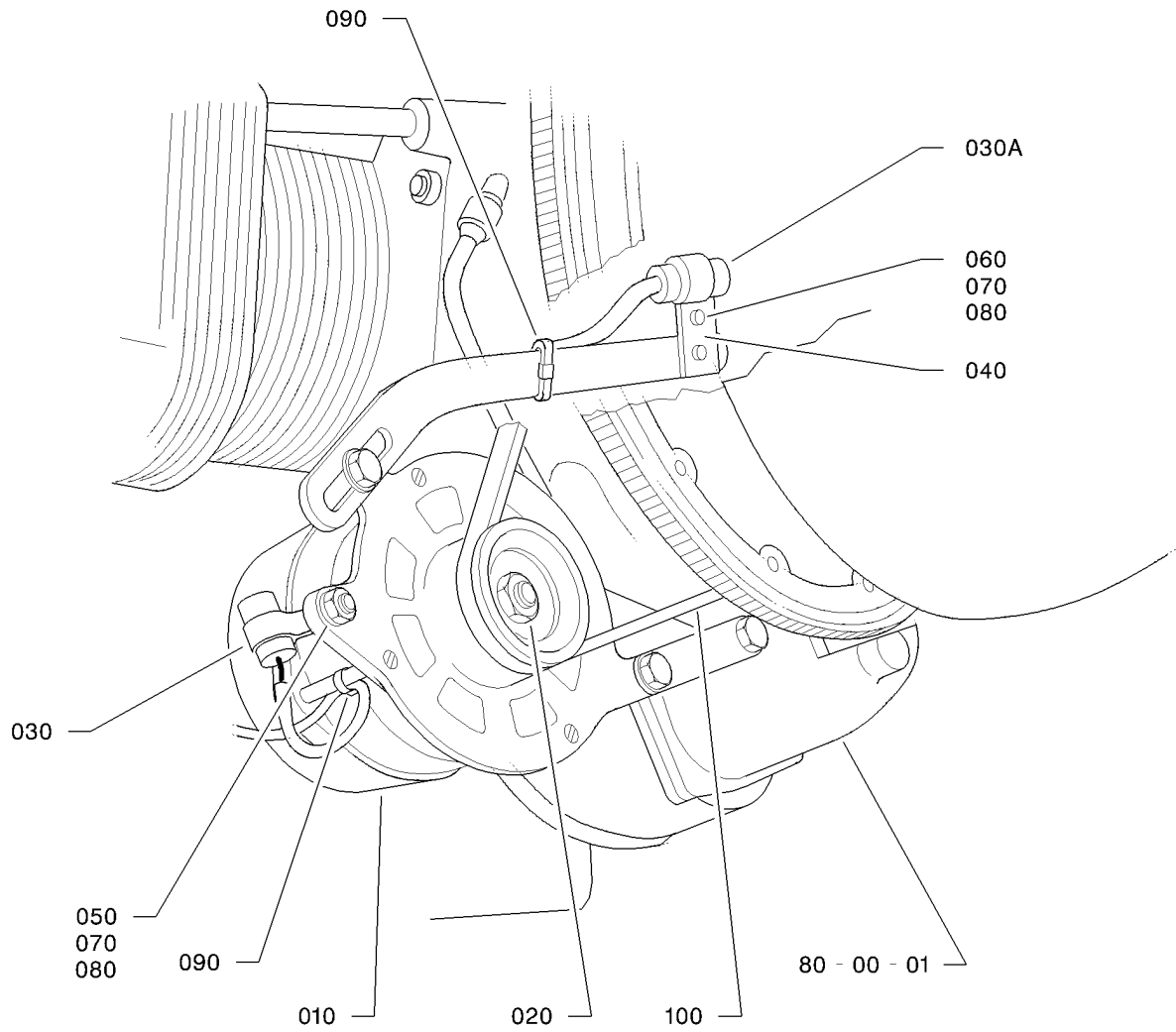
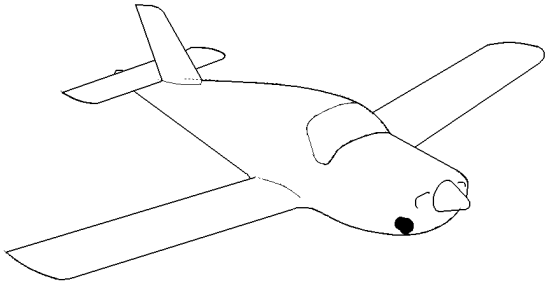
24-30-00

FIG. 1

PAGE 1 R

NOV 30/18

S/N 1 - 9999



14243001AACAVZ4301

ALTERNATOR
FIGURE 1

24-30-01

FIG. 1
PAGE 0 R

NOV 30/18

FIG. ITEM	PART NUMBER	1234567 	NOMENCLATURE	EFFECT FROM TO	UNITS PER ASSY	OBS
1 - 1	TF24-30-01-01-001		ALTERNATOR		RF	
10	6069557220		.ALTERNATOR VARIANT		1	
- 10A	6025667237		.ALTERNATOR VARIANT		1	
20	TB10 50002151		.WASHER		3	
- 25	7284720681		.FILTER S/N 1 - 41 RPLD BY 11490.32		1	NP
30	11490.32		.NOISE FILTER AS SPARES, IN ADDITION TO THE NEW FILTER, ORDER SUPPORT TB20 65210101 + BOLT 5102953291 RPLD BY 7284720678		1	NP
30A	7284720678		.NOISE FILTER VF0541 OPT TO 678-02N2 MADE BY VF0541 VARIANT RPLS 11490.32		1	OR
- 30B	7284720679		.NOISE FILTER VF5524 OPT TO 678-02N4 MADE BY VF5524 VARIANT		1	
- 30C	7284411008		.NOISE FILTER OPT TO 8462 MADE BY VF1379 VARIANT		1	R
40	TB20 65210101		.SUPPORT ONLY WITH 7284720678 ATTACHING PARTS		1	
50	5102950315		.BOLT ONLY WITH 11490.32		1	
60	5102953291		.BOLT VF0110 OPT TO NFE27311H60Q12AGUL MADE BY VF0110 ONLY WITH 7284720678		1	
70	5701039290		.WASHER OPT TO 23111AD060L MADE BY VF0111		1	R
80	5401458300		.NUT OPT TO E25412B60QQVAL MADE BY VF0110 * * *		1	R
90	7141940020		.TIE-WRAP VF6728		1	
100	7133237726		.BELT V80254 OPT TO 76026 MADE BY V80254		1	

- ITEM NOT ILLUSTRATED

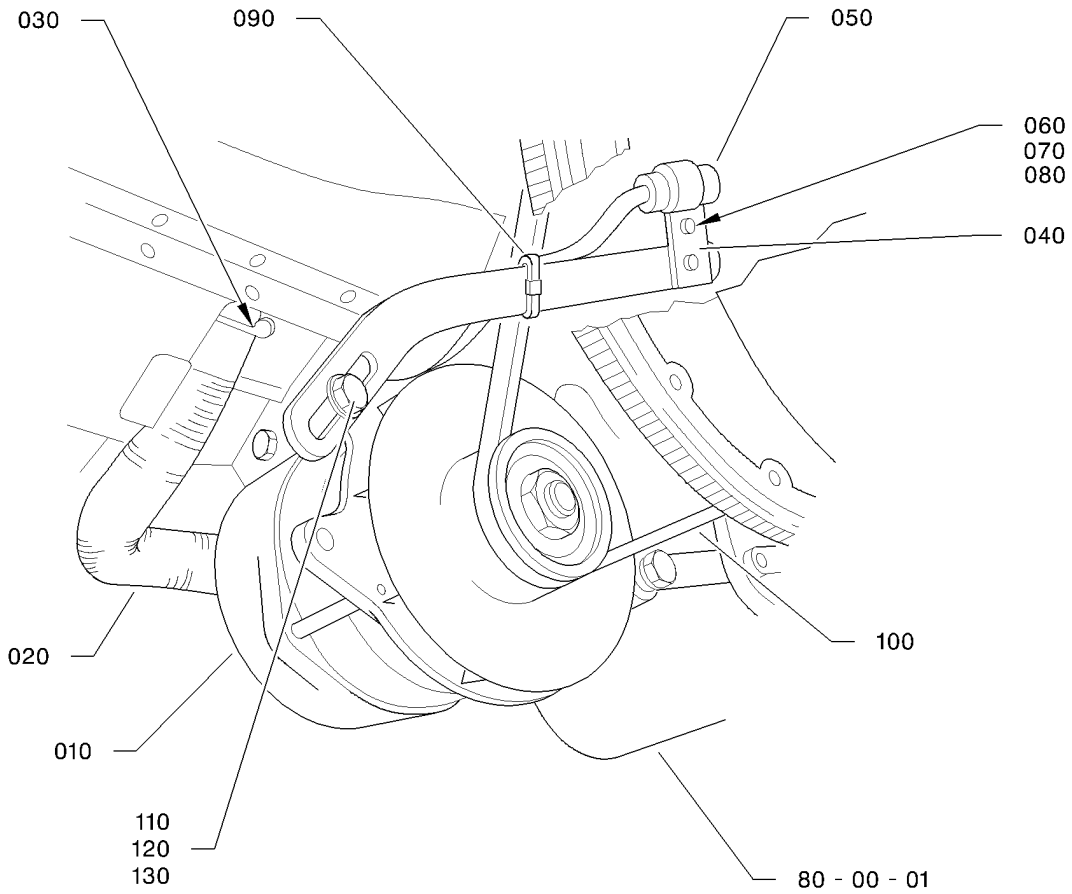
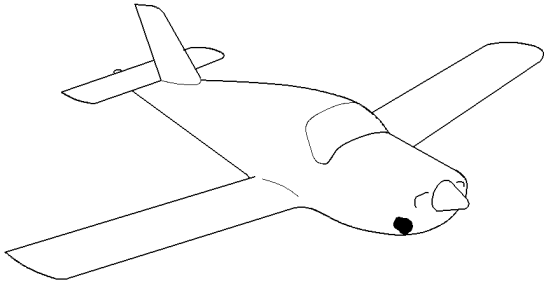
24-30-01

FIG. 1

PAGE 1

NOV 30/18

S/N 1 - 400



14243001AAABYZ4302

ALTERNATOR
FIGURE 1A

24-30-01

FIG. 1A
PAGE 0 R
NOV 30/18

FIG.ITEM	PART NUMBER	NOMENCLATURE		EFFECT FROM TO	UNITS PER ASSY	OBS
		1234567 				
1A- 1	TF24-30-01-01A-001		ALTERNATOR		RF	
10	6069557220		.ALTERNATOR VARIANT		1	
- 10A	6025667237		.ALTERNATOR VARIANT		1	
20	TB20 50000119		.COOLING AIR HOSE		1	
30	7141010030		.CLAMP VF0792 OPT TO DGH30 MADE BY VF0792		2	
40	TB20 65020115		.SUPPORT S/N 401 - 822, 850 - 870 RPLD BY TB20 65020117		1	NP
- 40A	TB20 65020117		.SUPPORT S/N 871 - 887, 889 - 947 RPLD BY TB20 65210101		1	OR
50	7284720678		.NOISE FILTER VF0541 OPT TO 678-02N2 MADE BY VF0541 S/N 401 - 822, 850 - 870 AS SPARES, AFTER STOCK DEPLETION ORDER FILTER 7284720679 + SUPPORT TB20 65210101 RPLD BY 7284720679 ATTACHING PARTS		1	OR R
60	5102953291		.BOLT VF0110 OPT TO NFE27311H60Q12AGUL MADE BY VF0110		1	
70	5701039290		.WASHER OPT TO 23111AD060L MADE BY VF0111		1	R
80	5401458300		.NUT OPT TO E25412B60QQVAL MADE BY VF0110 * * *		1	R
90	7141940020		.TIE-WRAP VF6728		1	
100	7133237726		.BELT V80254 OPT TO 76026 MADE BY V80254 ATTACHING PARTS		1	
110	5102950315		.BOLT		1	
120	5706054290		.WASHER		2	
130	5414468300		.NUT VF0224 OPT TO 6PH135M MADE BY VF0224 * * *		1	

- ITEM NOT ILLUSTRATED

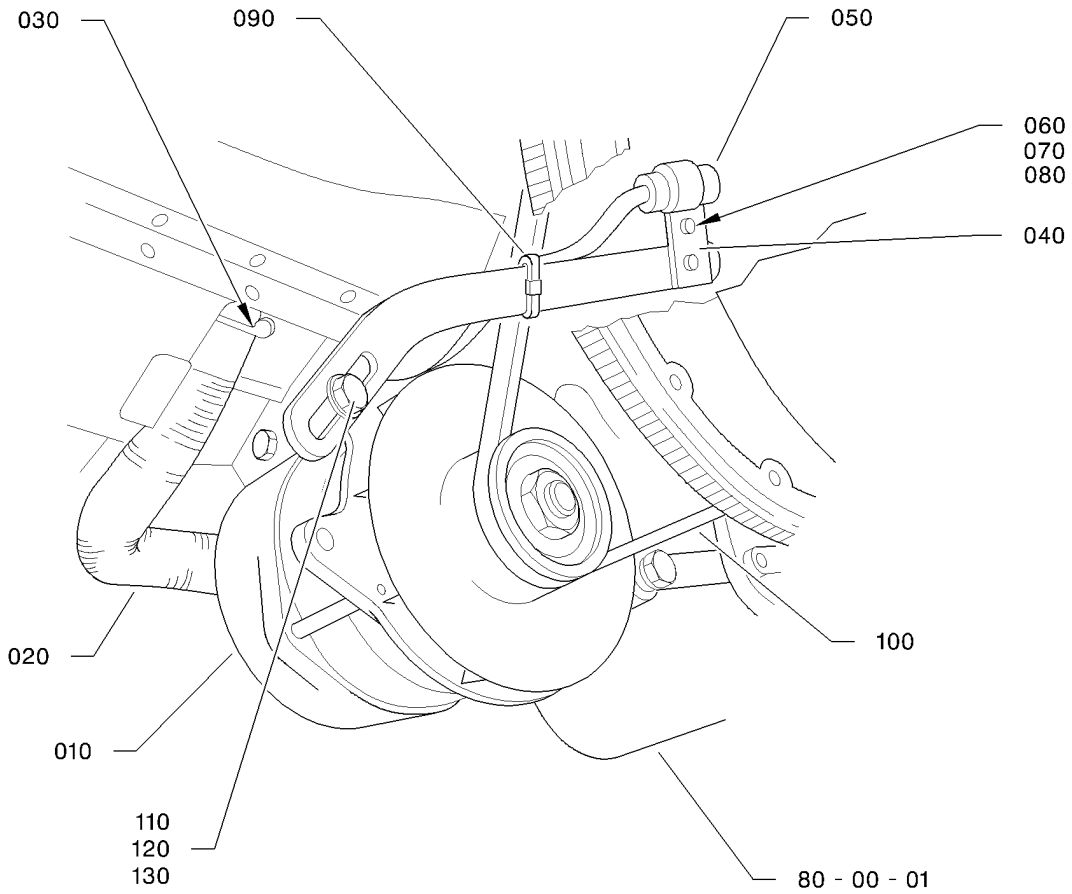
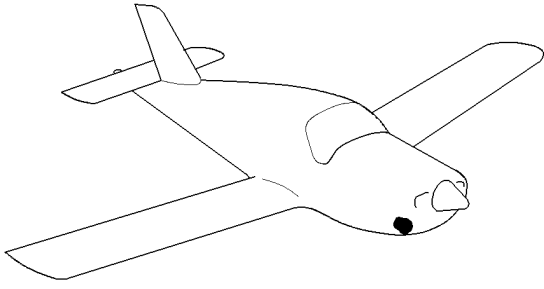
24-30-01

FIG. 1A

PAGE 1

NOV 30/18

S/N 401 - 822, 850 - 887, 889 - 947



14243001AAABYZ4302

ALTERNATOR
FIGURE 1B

24-30-01

FIG. 1B

PAGE 0 R

NOV 30/18

FIG. ITEM	PART NUMBER	1234567 	NOMENCLATURE	EFFECT FROM TO	UNITS PER ASSY	OBS
1B- 1	TF24-30-01-01B-001		ALTERNATOR		RF	
10	6069557222		.ALTERNATOR OPT TO ALU-8421LS MADE BY V24975 VARIANT		1	R
- 10A	6025667235		.ALTERNATOR OPT TO ALU-8521LS MADE BY V24975 VARIANT		1	R
- 15			.36B19484 LYCOMING PULLEY V80254 OPT TO 36B19484 MADE BY V80254		1	
20	TB20 50000119		.COOLING AIR HOSE		1	
30	7141010030		.CLAMP VF0792 OPT TO DGH30 MADE BY VF0792		2	
40	TB20 65020117		.SUPPORT S/N 823 - 849, 888, 948 - 1030 RPLD BY TB20 65210101		1	OR
- 40A	TB20 65210101		.SUPPORT S/N 823 - 849, 888, 948 - 9999 RPLS TB20 65020117		1	
50	7284720679		.NOISE FILTER VF5524 OPT TO 678-02N4 MADE BY VF5524 VARIANT		1	
- 50A	7284411008		.NOISE FILTER OPT TO 8462 MADE BY VF1379 VARIANT		1	R
60	5102953294		ATTACHING PARTS .BOLT VF0110 OPT TO NFE27311H60Q14AGUL MADE BY VF0110		1	
70	5701039290		.WASHER OPT TO 23111AD060L MADE BY VF0111		1	R
80	5414468300		.NUT VF0224 OPT TO 6PH135M MADE BY VF0224 * * *		1	
90	7141940020		.TIE-WRAP VF6728		1	
100	7133237726		.BELT V80254 OPT TO 76026 MADE BY V80254 ATTACHING PARTS		1	
110	5102950315		.BOLT		1	
120	5706054290		.WASHER		2	
130	5414468300		.NUT VF0224 OPT TO 6PH135M MADE BY VF0224 * * *		1	

- ITEM NOT ILLUSTRATED

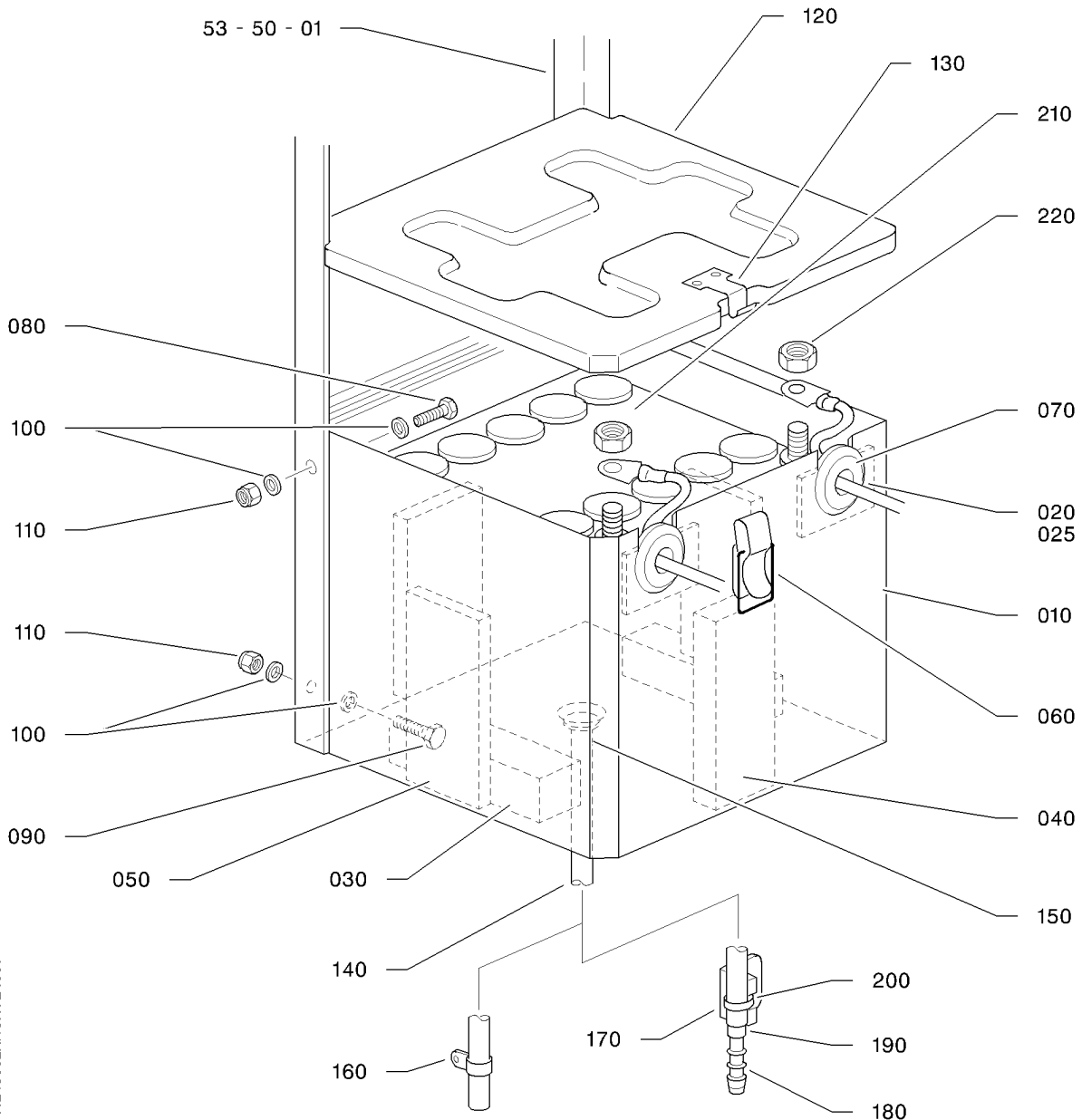
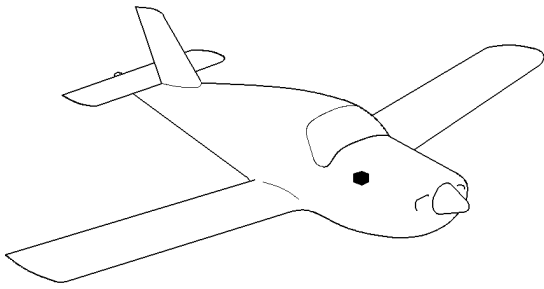
24-30-01

FIG. 1B

PAGE 1

NOV 30/18

S/N 823 - 849, 888, 948 - 9999



14243002AACAVZ4801

BATTERY
FIGURE 1

24-30-02

FIG. 1
PAGE 0 R

NOV 30/18

FIG. ITEM	PART NUMBER	1234567 	NOMENCLATURE	EFFECT FROM TO	UNITS PER ASSY	OBS
1 - 1	TF24-30-02-01-001		BATTERY		RF	
10	TB10 61010001		.BATTERY TRAY ASSY		1	
- 15	TB10 61010003		..TRAY		1	
20	TB10 61010104		..INSULATING PLATE ATTACHING PARTS		2	
25	5536342406		..RIVET VF3341 OPT TO NSA5420-46 MADE BY VF3341 * * *		8	
30	TB10 61010120		..LOWER SHIM		2	
40	TB10 61010122		..LATERAL SHIM WITH BATTERY 6083437221 OR 6009257220		2	
50	TB10 61010121		..LATERAL SHIM WITH BATTERY 6083437221 OR 6009257220		2	
- 50A	TB20 61005113		..LATERAL SHIM WITH BATTERY 6087967220		4	
60	7332110001		..LATCH LOCK VF2400 OPT TO GE04IB MADE BY VF2400		1	
70	7681924609		..GROMMET VF0232 OPT TO 13164-1380 MADE BY VF0232 ATTACHING PARTS		2	
80	5102953168		..BOLT VF0110 OPT TO NFE27311H50Q12AGUL MADE BY VF0110		2	
90	5102953176		..BOLT VF0110 OPT TO E27311H50Q16AGUL MADE BY VF0110		2	
100	5701039240		..WASHER OPT TO ASN 53101 MADE BY VF0111		8	R
110	5401458239		..NUT OPT TO E25412B50QQVAL MADE BY VF0110 * * *		4	R
120	TB10 61010002		.COVER ASSY WITH BATTERY 6083437221 OR 6009257220		1	
-120A	TB10 61904002		.COVER ASSY WITH BATTERY 6087967220		1	
130	7160110117		..HOOK VF2400 OPT TO AC117IB MADE BY VF2400		1	
140	4381430577		.HOSE VF2713 OPT TO 577 7X1.50 VINYLE MADE BY VF2713		AR	

- ITEM NOT ILLUSTRATED

24-30-02

FIG. 1

PAGE 1

NOV 30/18

FIG. ITEM	PART NUMBER	1234567 	NOMENCLATURE	EFFECT FROM TO	UNITS PER ASSY	OBS
1 150	7141230011		.CLAMP OPT TO 66-100 MADE BY VF0335		1	R
160	7141060210		.CLAMP OPT TO AN742D6 MADE BY V88044 AS SPARES, ORDER SUPPORT 7232940107 + UNION 7234438000 + CLAMPS 7141230011 AND 7141940020		1	
170	7232940107		.SUPPORT VF6728 OPT TO TC106 MADE BY VF6728		1	
180	7234438000		.UNION		1	
190	7141230011		.CLAMP OPT TO 66-100 MADE BY VF0335		1	R
200	7141940020		.TIE-WRAP VF6728		1	
210	6083437221		.BATTERY 12V - 32A VARIANT RPLD BY 6087967220		1	NP R
-210A	6009257220		.BATTERY VARIANT RPLD BY 6087967220		1	
-210B	6087967220		.BATTERY 12V - 35A OPT TO G35 MADE BY V84375 AS SPARES, DURING FIRST ASSY, ORDER COVER ASSY TB10 61904002 AND 4 LATERAL SHIMS TB20 61005113 RPLS 6083437221 AND 6009257220		1	R
220	5301064115		.NUT		2	
-230	5701434365		.WASHER		2	

- ITEM NOT ILLUSTRATED

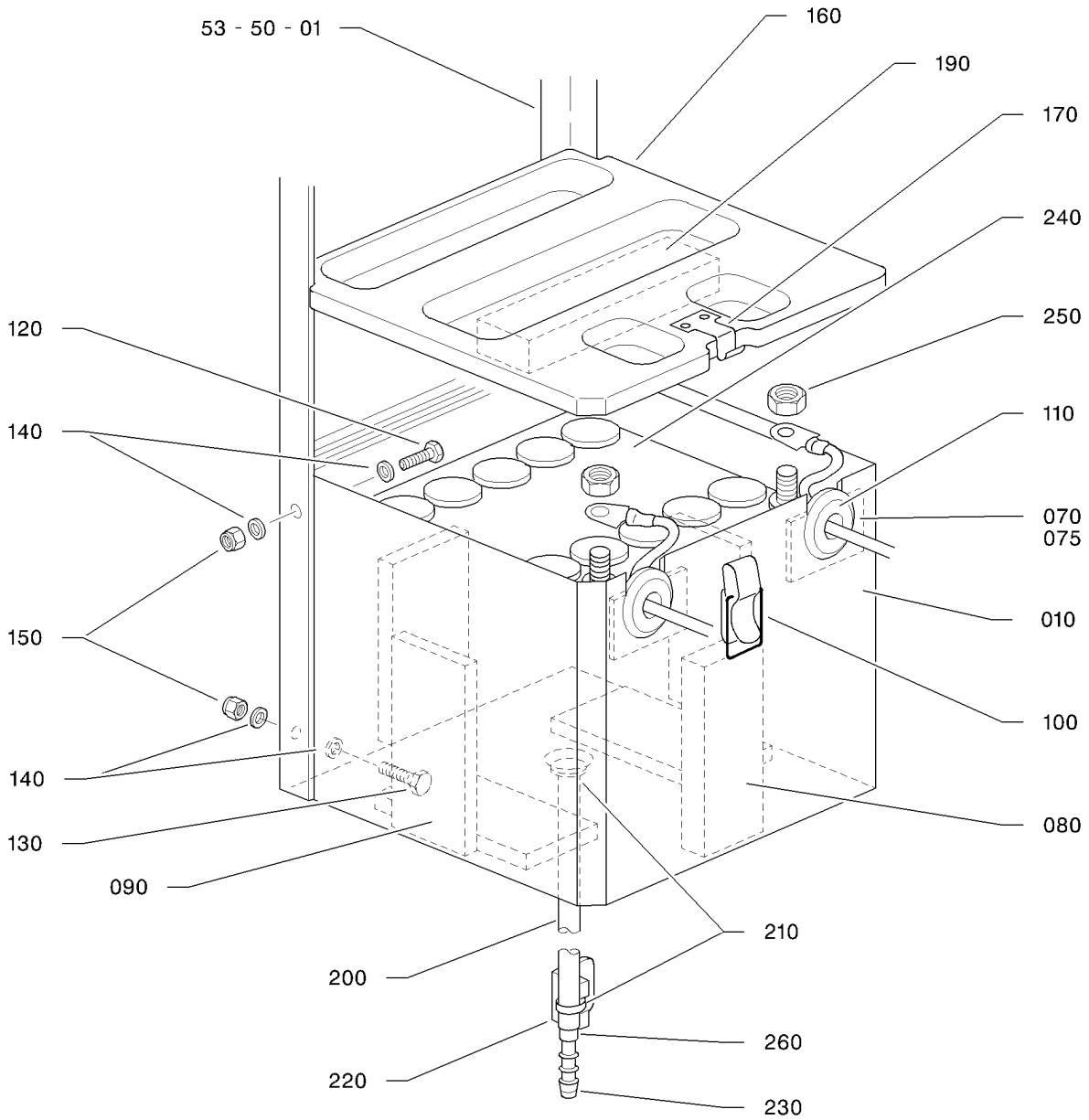
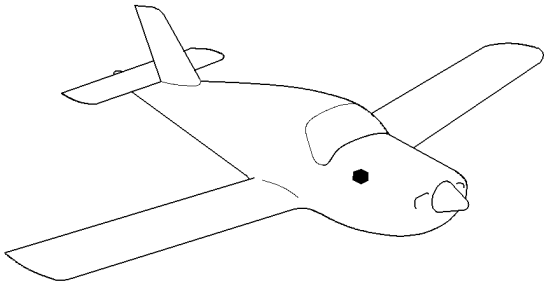
24-30-02

FIG. 1

PAGE 2

NOV 30/18

PAGE INTENTIONALLY BLANK



BATTERY
FIGURE 1A

24-30-02

FIG. 1A

PAGE 0 R

NOV 30/18

FIG.ITEM	PART NUMBER	NOMENCLATURE	EFFECT FROM TO	UNITS PER ASSY	OBS
		1234567 			
1A- 1	TF24-30-02-01A-001	BATTERY		RF	
10	TB10 61211001	.BATTERY TRAY ASSY		1	
70	TB20 61209103	..INSULATING PLATE		2	
75	5536342406	..RIVET VF3341 OPT TO NSA5420-46 MADE BY VF3341		8	
80	TB10 61211123	..FRONT SHIM		1	
90	TB10 61211122	..LATERAL OR LOWER SHIM		5	
100	7332110001	..LATCH LOCK VF2400 OPT TO GE04IB MADE BY VF2400		1	
110	7681924609	..GROMMET VF0232 OPT TO 13164-1380 MADE BY VF0232		2	
		ATTACHING PARTS			
120	5101229175	..BOLT		2	R
130	5101229174	..BOLT		2	R
140	5701039240	..WASHER OPT TO ASN 53101 MADE BY VF0111		8	R
150	5401458239	..NUT OPT TO E25412B50QQVAL MADE BY VF0110		4	R
		* * *			
160	TB10 61211002	.COVER ASSY		1	
170	7160110103	..HOOK VF2400 OPT TO AC103IB MADE BY VF2400		1	
190	TB10 61211121	..UPPER SHIM		1	
200	4381430577	.HOSE VF2713 OPT TO 577 7X1.50 VINYLE MADE BY VF2713		AR	
210	7141230011	.CLAMP OPT TO 66-100 MADE BY VF0335		2	R
220	7232940107	.SUPPORT VF6728 OPT TO TC106 MADE BY VF6728		1	
230	7234438000	.UNION		1	
240	6034477221	.BATTERY 28 V OPT TO G-242 MADE BY V84375		1	R
-245	07329.0	.ELECTROLYTE		AR	
250	5301064115	.NUT		2	
-255	5701434365	.WASHER		2	
260	7141940020	.TIE-WRAP VF6728		1	

- ITEM NOT ILLUSTRATED

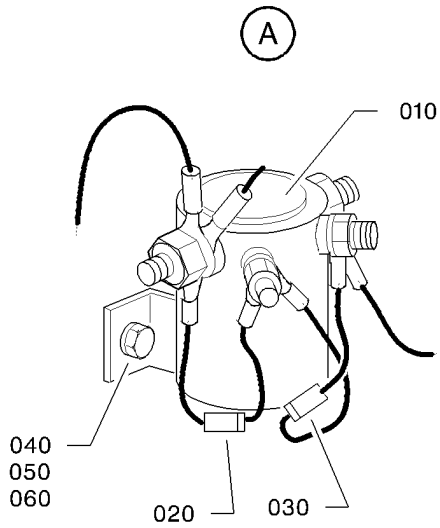
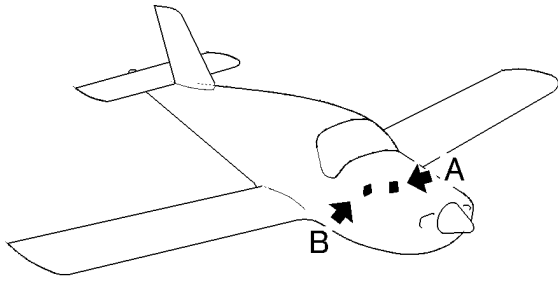
24-30-02

FIG. 1A

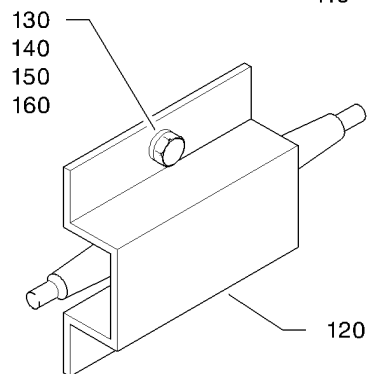
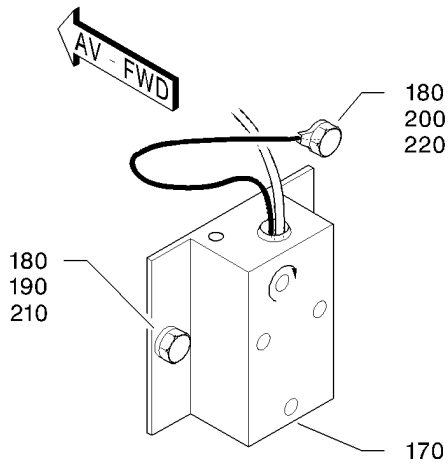
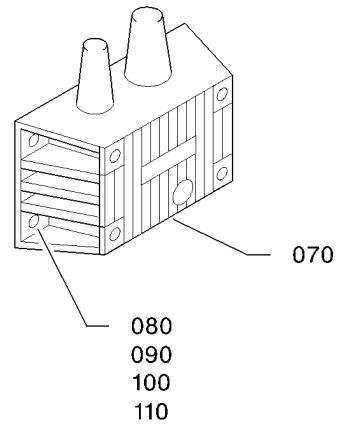
PAGE 1

NOV 30/18

S/N 823 - 849, 888, 948 - 9999



(B)



14243003AAA AVZ4300

MISCELLANEOUS
FIGURE 1

24-30-03

FIG. 1
PAGE 0 R

NOV 30/18

FIG.ITEM	PART NUMBER	NOMENCLATURE	EFFECT FROM TO	UNITS PER ASSY	OBS
		1234567 			
1 - 1 10	TF24-30-03-01-001 7733212206	MISCELLANEOUS .BATTERY RELAY OPT TO 70906 MADE BY VF7183 CAUTION : CONNECTIONS NOT VALID WITH GROUND POWER RECEPTACLE OPTION SUPSD BY X61-0028		RF 1	R
- 10A	X61-0028	.BATTERY RELAY V3RCD2 SUPSDS 7733212206		1	R
20	TB10 61025000	.DIODE ASSY WITHOUT GROUND POWER RECEPTACLE OPTION		1	
- 20A	TB10 61025001	.DIODE ASSY WITH GROUND POWER RECEPTACLE OPTION		1	
30	TB20 76910003	.DIODE ASSY S/N 731 - 822, 850 - 887, 889 - 947		1	
40	5102953168	ATTACHING PARTS .BOLT OPT TO ISO 4017-M5X12-5.6-B9G MADE BY VI9008		2	R
50	5706039240	.WASHER OPT TO 23116AD050L MADE BY VF0111		2	R
60	5401458239	.NUT OPT TO E25412B50QQVAL MADE BY VF0110 S/N 1 - 47		2	R
- 60A	5422218050	.ANCHOR NUT, TWO LUG OPT TO 5SR1009MK MADE BY VF0224 S/N 48 - 822, 850 - 887, 889 - 947		2	R
70	6069557230	* * * .VOLTAGE REGULATOR PRESTOLITE S/N 1 - 369 AS SPARES, ORDER KIT OPT10 907400 ATTACHING PARTS		1	NP
80	5102953082	.BOLT OPT TO NFE27311H40Q14AGUL MADE BY VF0110		4	R
90	5706039160	.WASHER OPT TO NFL23116AD040L MADE BY VF0111		4	R

- ITEM NOT ILLUSTRATED

24-30-03

FIG. 1

PAGE 1

NOV 30/18

S/N 1 - 822, 850 - 887, 889 - 947

FIG. ITEM	PART NUMBER	1234567 	NOMENCLATURE	EFFECT FROM TO	UNITS PER ASSY	OBS
1 100	5401458159		.NUT OPT TO E25412B40QQVAL MADE BY VF0110 S/N 1 - 47 SUPSD BY 5414468159		4	R
-100A	5414468159		.NUT OPT TO 4PH135M MADE BY VF0224 S/N 1 - 47 SUPSDS 5401458159		4	R
110	5422218040		.ANCHOR NUT, TWO LUG S/N 48 - 822, 850 - 887, 889 - 947 * * *		4	
120	7733014902		.OVERVOLTAGE RELAY PRESTOLITE S/N 1 - 369 AS SPARES, ORDER KIT OPT10 907400 ATTACHING PARTS		1	NP
130	5102953168		.BOLT OPT TO ISO 4017-M5X12-5.6-B9G MADE BY VI9008		2	R
140	5701039240		.WASHER OPT TO ASN 53101 MADE BY VF0111		2	R
150	5401458239		.NUT OPT TO E25412B50QQVAL MADE BY VF0110 S/N 1 - 47		2	R
160	5422218050		.ANCHOR NUT, TWO LUG OPT TO 5SR1009MK MADE BY VF0224 S/N 48 - 822, 850 - 887, 889 - 947 * * *		2	R
170	TB20 61033000		.REGULATOR ASSY LAMAR, S/N 370 - 822, 850 - 887, 889 - 947 ATTACHING PARTS		1	
180	5102953168		.BOLT OPT TO ISO 4017-M5X12-5.6-B9G MADE BY VI9008		3	R
190	5706039240		.WASHER OPT TO 23116AD050L MADE BY VF0111		2	R
200	5701039240		.WASHER OPT TO ASN 53101 MADE BY VF0111		1	R
210	5421465239		.ANCHOR NUT, TWO LUG OPT TO 5G109M MADE BY VF0224		2	R

- ITEM NOT ILLUSTRATED

24-30-03

FIG. 1

PAGE 2

NOV 30/18

S/N 1 - 822, 850 - 887, 889 - 947

FIG.ITEM	PART NUMBER	NOMENCLATURE	EFFECT FROM TO	UNITS PER ASSY	OBS
1 220	5431465239	1234567 .ANCHOR NUT, ONE LUG OPT TO 5AJ109M MADE BY VF0224 * * *		1	R

- ITEM NOT ILLUSTRATED

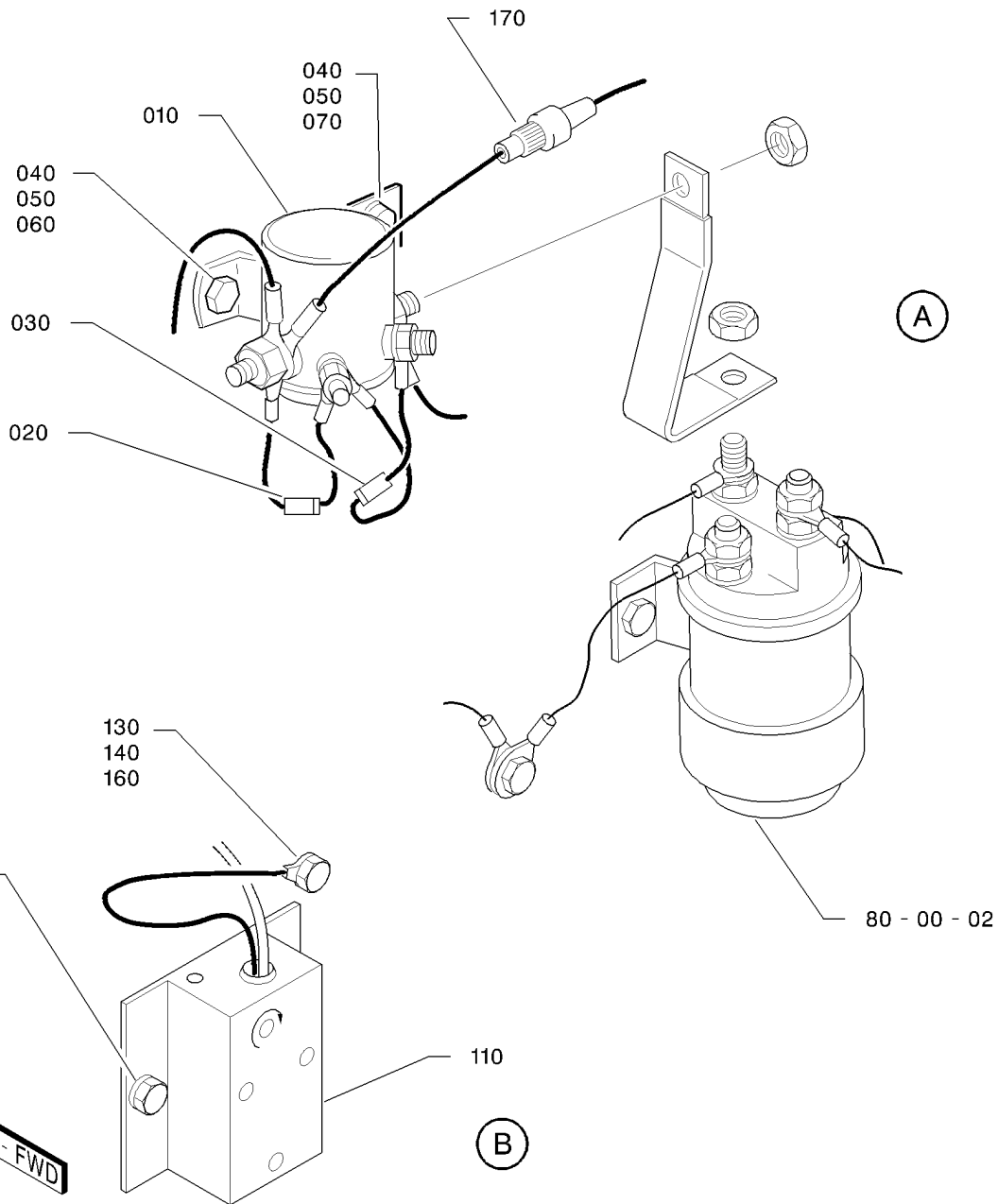
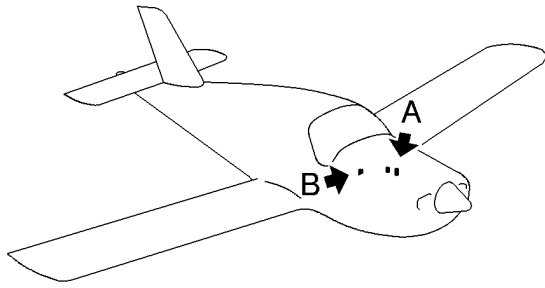
24-30-03

FIG. 1

PAGE 3

NOV 30/18

S/N 1 - 822, 850 - 887, 889 - 947



MISCELLANEOUS
FIGURE 1A

24-30-03

FIG. 1A

PAGE 0 R

NOV 30/18

FIG.ITEM	PART NUMBER	1234567 	NOMENCLATURE	EFFECT FROM TO	UNITS PER ASSY	OBS
1A- 1 10	TF24-30-03-01A-001 7733212215		MISCELLANEOUS .RELAY OPT TO 70-117-221-5 -70907 MADE BY VF7183 CAUTION : CONNECTIONS NOT VALID WITH GROUND POWER RECEPTACLE OPTION SUPSD BY SAS-4420		RF 1	R
- 10A	SAS-4420		.RELAY V1R7H6 ON FIRST REPLACEMENT, ORDER P/N 5101229175 AND 5701054240 SUPSDS 7733212215		1	R
20	TB10 61025001		.DIODE ASSY		1	
30	TB20 76910003		.DIODE ASSY ATTACHING PARTS		1	
40	5101229175		.BOLT		2	R
- 40A	5101229175		.BOLT TO BE ORDERED WITH ITEM -10A		2	R
50	5706039240		.WASHER OPT TO 23116AD050L MADE BY VF0111		2	R
- 50A	5701054240		.WASHER OPT TO 23111AG050LE MADE BY VF0111 TO BE ORDERED WITH ITEM -10A		2	R
60	5431466239		.ANCHOR NUT, ONE LUG		1	
70	5422466239		.ANCHOR NUT, TWO LUG OPT TO 5G109MK MADE BY VF0224 * * *		1	R
110	TB20 61215000		.REGULATOR ASSY ATTACHING PARTS		1	
120	5706039240		.WASHER OPT TO 23116AD050L MADE BY VF0111		2	R
130	5102953168		.BOLT OPT TO ISO 4017-M5X12-5.6-B9G MADE BY VI9008		3	R
140	5701039240		.WASHER OPT TO ASN 53101 MADE BY VF0111		1	R
150	5421465239		.ANCHOR NUT, TWO LUG OPT TO 5G109M MADE BY VF0224		2	R
160	5431465239		.ANCHOR NUT, ONE LUG OPT TO 5AJ109M MADE BY VF0224 * * *		1	R
170	7694309000		.FUSE HOLDER S/N 823 - 849, 888, 948 - 1822 RPLD BY T700A9210050001		1	OR

- ITEM NOT ILLUSTRATED

24-30-03

FIG. 1A

PAGE 1

NOV 30/18

FIG.ITEM	PART NUMBER	1234567 NOMENCLATURE	EFFECT FROM TO	UNITS PER ASSY	OBS
1A-170A	T700A9210050001	. FUSE HOLDER ASSY RPLS 7694309000		1	

- ITEM NOT ILLUSTRATED

24-30-03

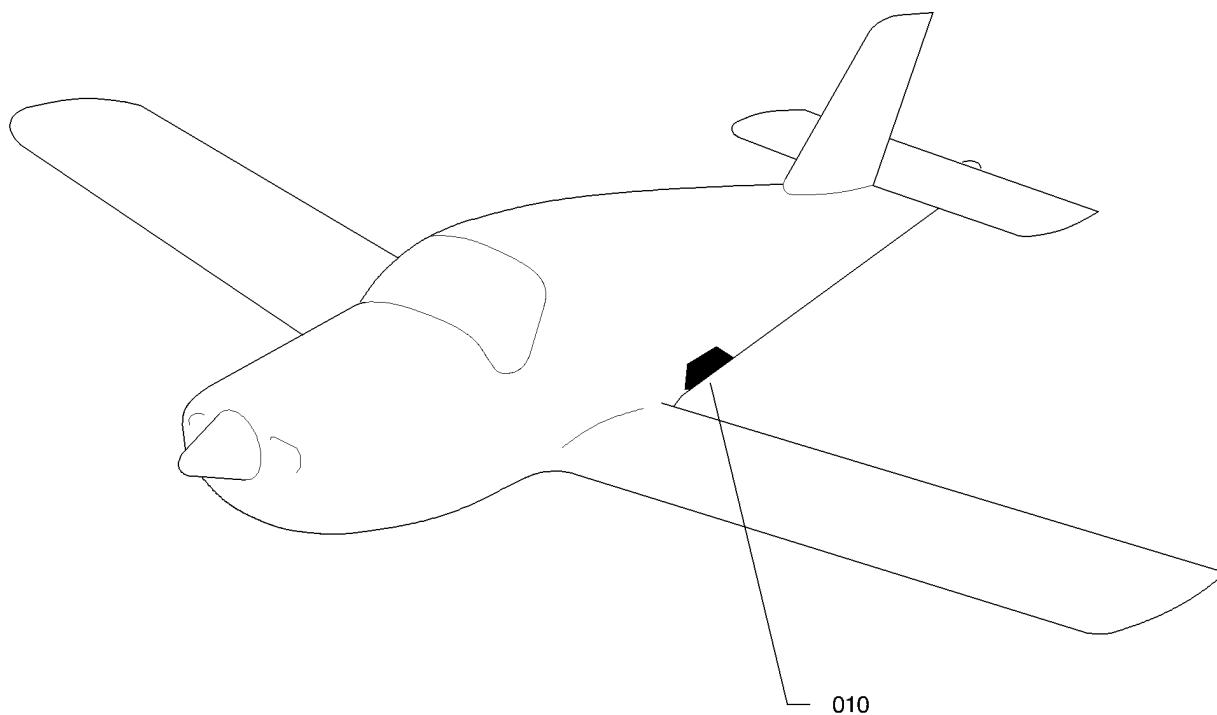
FIG. 1A

PAGE 2 R

NOV 30/18

S/N 823 - 849, 888, 948 - 9999

PAGE INTENTIONALLY BLANK



I424000AAADYZ24500

EXTERNAL POWER SUPPLY
FIGURE 1

S/N 1 - 9999

24-40-00

FIG. 1

PAGE 0 R

NOV 30/18

FIG.ITEM	PART NUMBER	NOMENCLATURE	EFFECT FROM TO	UNITS PER ASSY	OBS
1 - 1 10	TB24-40-00-01-001 24-40-0PT	EXTERNAL POWER SUPPLY .GROUND POWER RECEPTACLE PRE-MOD. 151		RF 1	
- 10A	TB24-40-01-01	.GROUND POWER RECEPTACLE POST-MOD. 151		1	

- ITEM NOT ILLUSTRATED

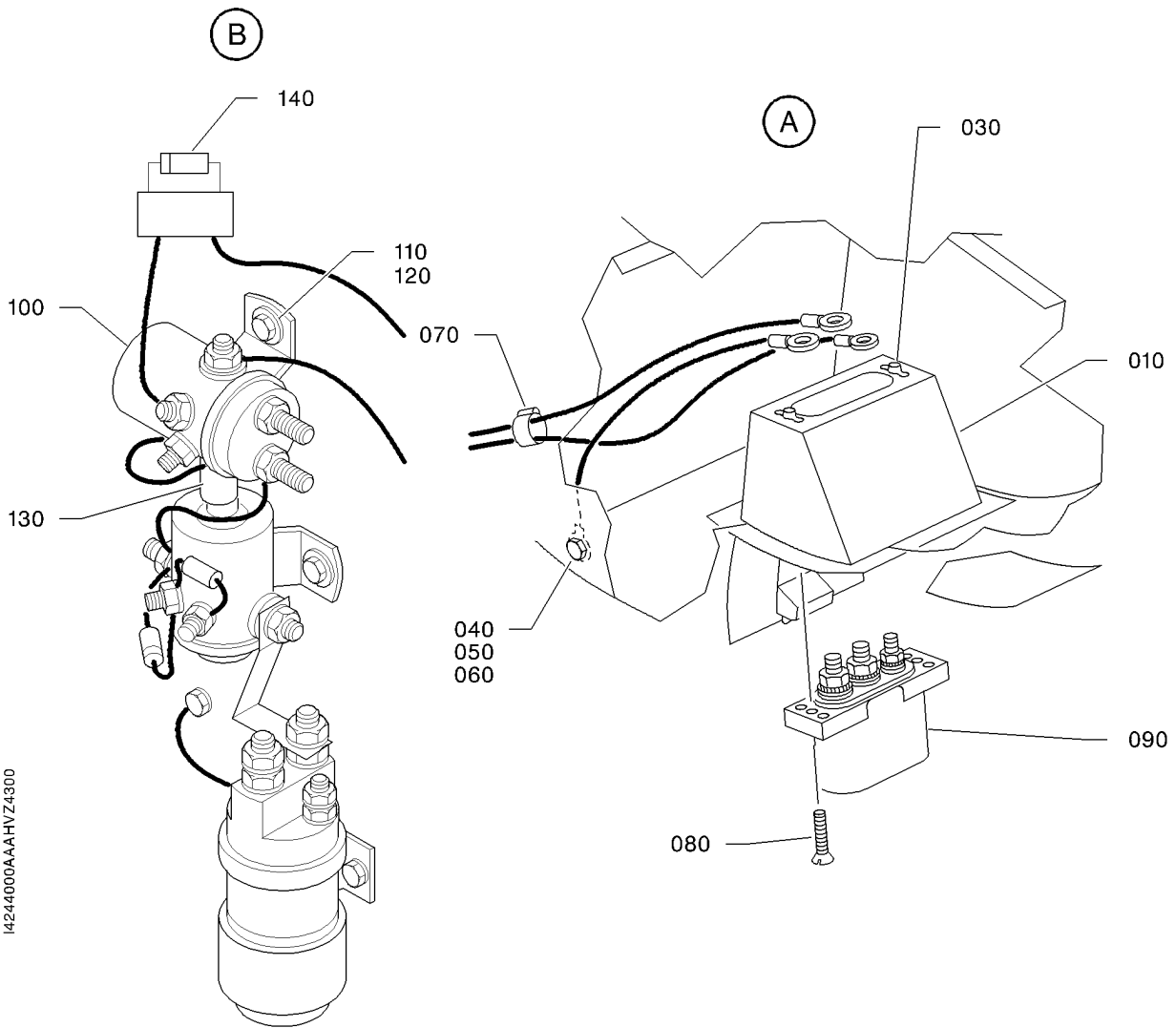
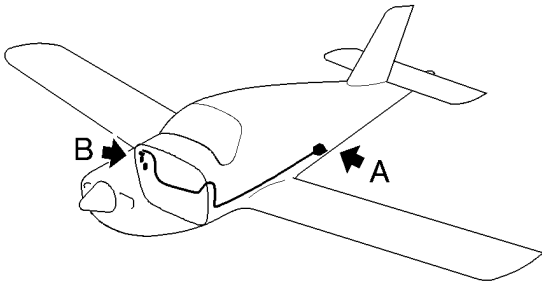
24-40-00

FIG. 1

PAGE 1 R

NOV 30/18

S/N 1 - 9999



14244000AAAHVZ4300

GROUND POWER RECEPTACLE
FIGURE 1

24-40-01

FIG. 1

PAGE 0 R

NOV 30/18

FIG. ITEM	PART NUMBER	NOMENCLATURE		EFFECT FROM TO	UNITS PER ASSY	OBS
		1234567 				
1 - 1	TF24-40-01-01-001		GROUND POWER RECEPTACLE		RF	
10	TB20 21800004		.BOX ASSY		1	
- 20	4248563003		..SEAL		AR	R
			SUPSD BY 4243912000			
- 20A	4243912000		..SEAL		AR	R
			SUPSDS 4248563003			
30	5421218050		..ANCHOR NUT, TWO LUG		2	R
			OPT TO 5SR1009M NFL22567 MADE BY VF0224			
40	5101229292		.BOLT		1	R
50	5701039290		.WASHER		1	R
			OPT TO 23111AD060L MADE BY VF0111			
60	5401458300		.NUT		1	R
			OPT TO E25412B60QQVAL MADE BY VF0110			
70	7141380623		.CLAMP		2	R
			OPT TO ASN A0021-25G20 MADE BY VF6198			
80	5142023189		.SCREW		2	
90	7709065061		.GROUND POWER RECEPTACLE		1	R
			OPT TO MS3506-1 MADE BY V1R6R9			
100	7733690001		.RELAY		1	
110	5102953164		.BOLT		2	R
			OPT TO NFE27311H50Q10AGUL MADE BY VF0110			
120	5706039240		.WASHER		2	R
			OPT TO 23116AD050L MADE BY VF0111			
130	7106018071		.CAP		1	
140	TB20 61826000		.DIODE ASSY		1	

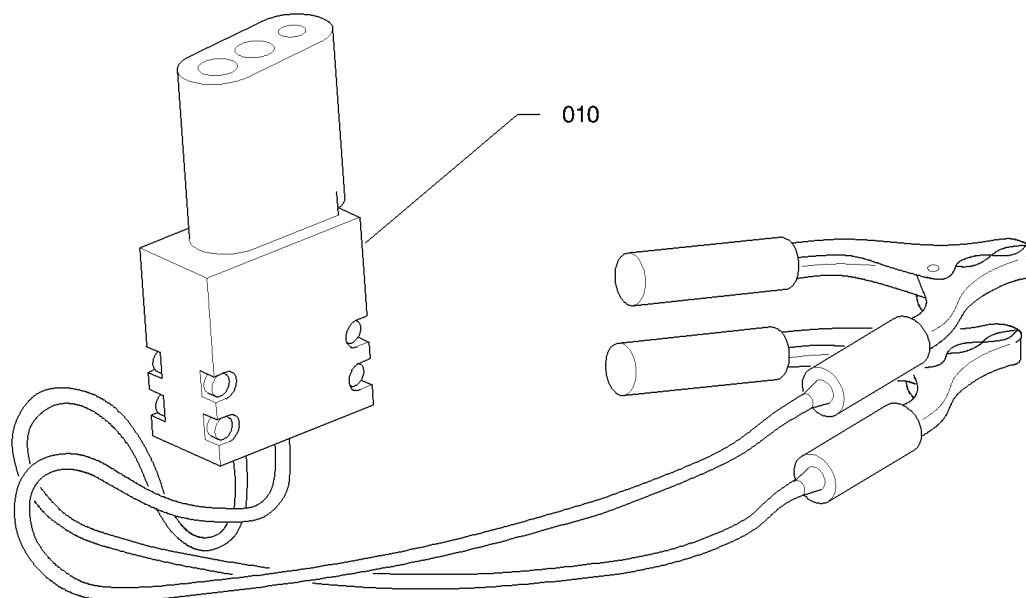
- ITEM NOT ILLUSTRATED

24-40-01

FIG. 1

PAGE 1

NOV 30/18



I4244000AAACWZ14300

GROUND POWER RECEPTACLE EXTENSION
FIGURE 2

24-40-01

FIG. 2
PAGE 0 R
NOV 30/18

FIG.ITEM	PART NUMBER	NOMENCLATURE	EFFECT FROM TO	UNITS PER ASSY	OBS
2 - 1 10	TB24-40-01-02-001 TB20 61842000	<div style="text-align: center;"> 1234567 </div> GROUND POWER RECEPTACLE EXTENSION .GROUND POWER RECEPTACLE EXTENSION ASSY		RF 1	R

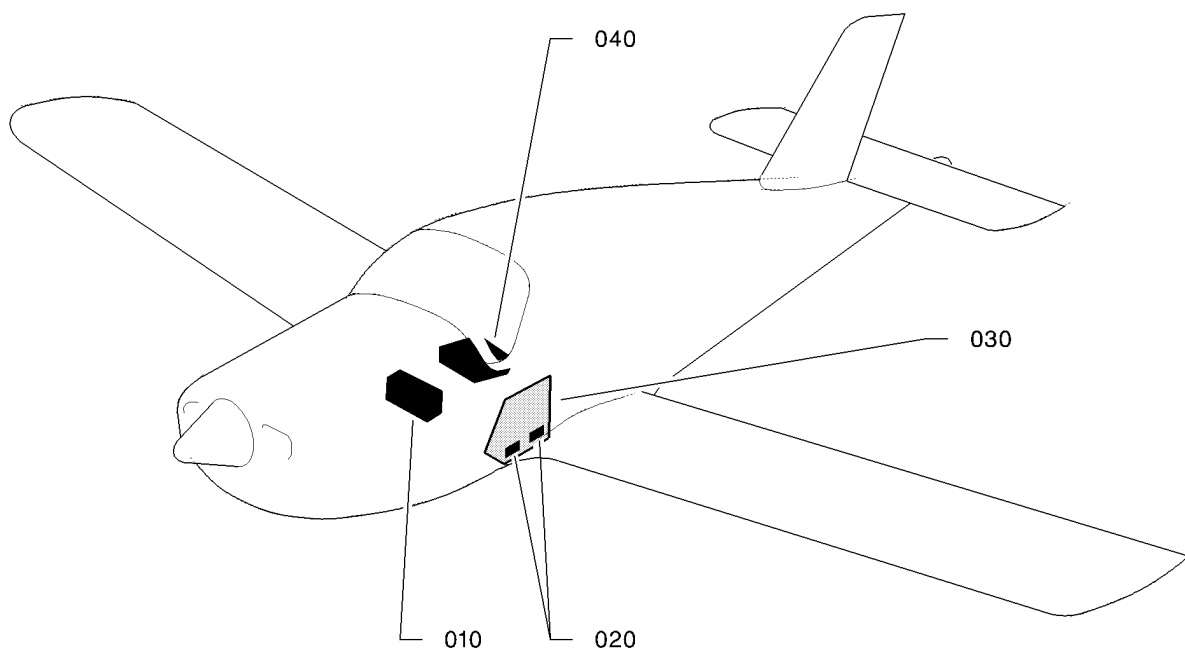
- ITEM NOT ILLUSTRATED

24-40-01

FIG. 2

PAGE 1

NOV 30/18



I4240000AAADYZ4500

DISTRIBUTION
FIGURE 1

24-50-00

FIG. 1
PAGE 0 R

NOV 30/18

FIG.ITEM	PART NUMBER	1234567 	NOMENCLATURE	EFFECT FROM TO	UNITS PER ASSY	OBS
1 - 1	TB24-50-00-01-001		DISTRIBUTION		RF	
10	TB24-50-01-01		.FUSES		1	
20	TB24-50-02-01		.BUS BARS		1	R
30	TB24-50-03-01		."PULL-OFF" TYPE CB AND CB		1	
40	TB24-50-04-01		.SWITCHES		1	

- ITEM NOT ILLUSTRATED

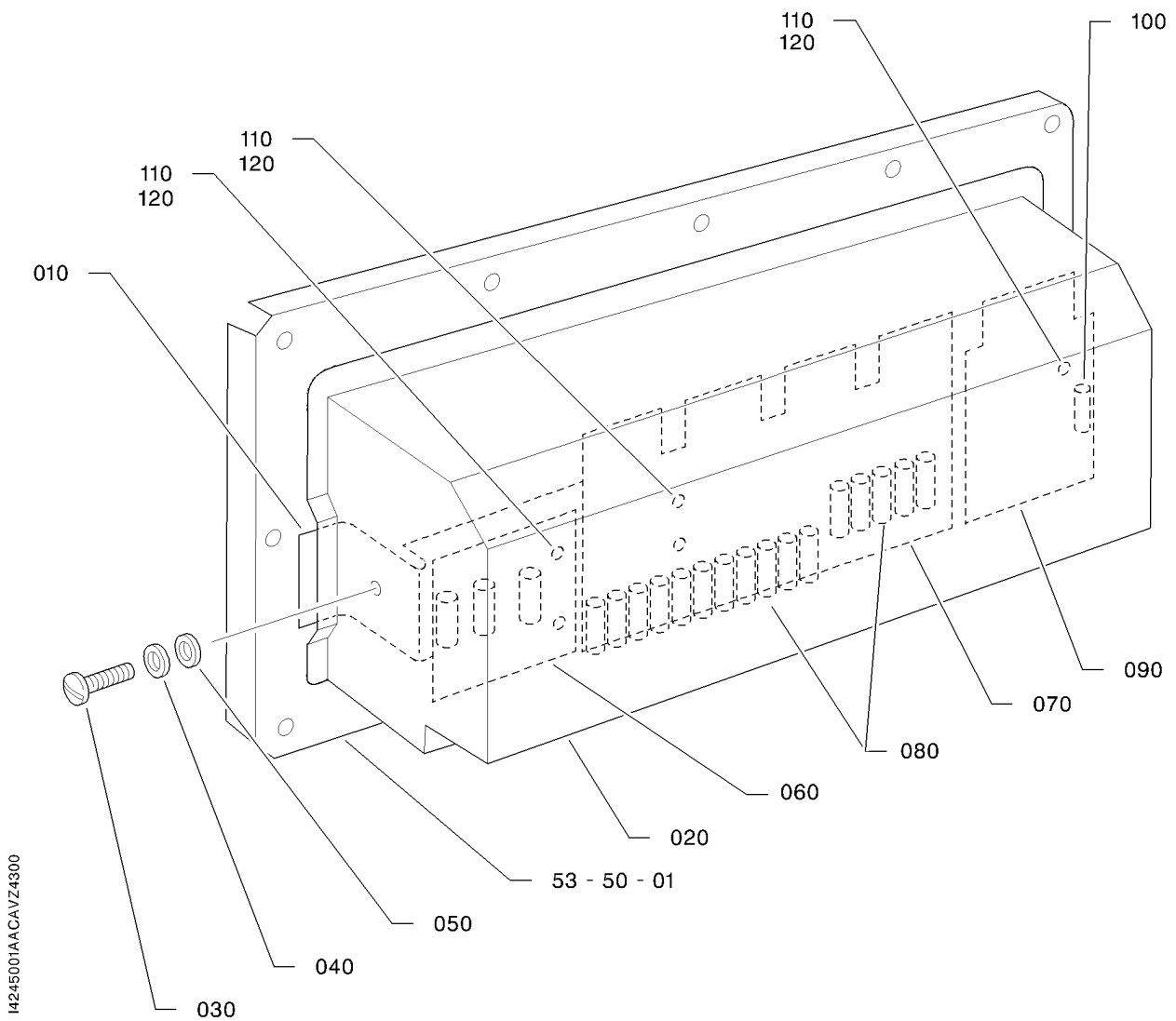
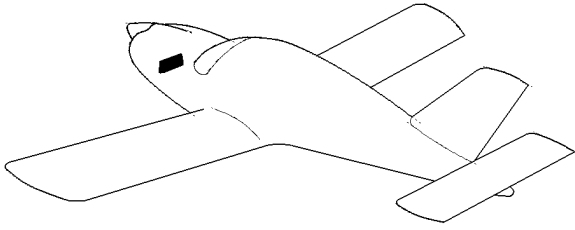
24-50-00

FIG. 1

PAGE 1

NOV 30/18

S/N 1 - 9999



FUSES
FIGURE 1

24-50-01

FIG. 1
PAGE 0 R

NOV 30/18

FIG.ITEM	PART NUMBER	NOMENCLATURE		EFFECT FROM TO	UNITS PER ASSY	OBS
		1234567 				
1 - 1	TF24-50-01-01-001		FUSES		RF	
10	TB10 61050001		.SUPPORT ASSY		1	
20	TB10 61050003		.COVER ASSY S/N 1 - 560 NOT VALID FOR AUSTRALIA		1	
- 20A	TB10 61050004		.COVER ASSY S/N 1 - 560 VALID FOR AUSTRALIA		1	
- 20B	TB20 61069002		.COVER ASSY S/N 561 - 822, 850 - 884, 886		1	
- 20C	TB20 61069003		.COVER ASSY S/N 885, 887, 889 - 947		1	R
30	5111943086		.SCREW		2	
40	5701039160		.WASHER OPT TO NFL23111AD040L MADE BY VF0111		2	R
50	5719061160		.WASHER OPT TO NFE27618E40AJTL MADE BY VF0111		2	R
60	TB10 61057000		* * * .LIGHT INDICATOR PRINTED CIRCUIT SUPSD BY TB10 61067000		1	NP R
- 60A	TB10 61067000		.LIGHT INDICATOR PRINTED CIRCUIT SUPSDS TB10 61057000		1	R
70	TB10 61053000		.FUSE PRINTED CIRCUIT ASSY S/N 561 - 822, 850 - 884, 886		1	
- 70A	TB20 61071000		.FUSE PRINTED CIRCUIT ASSY S/N 885, 887, 889 - 947		1	R
80	7298150262		..FUSE 1A RPLD BY 7298221525		AR	R
- 80A	7298221525		..1A FUSE OPT TO ASNE0590A15 MADE BY VF5442 RPLS 7298150262		AR	R
90	TB10 61054000		.ALTERNATOR PRINTED CIRCUIT		1	
100	7298150262		..FUSE 1A S/N 1 - 100		1	
110	5111943041		ATTACHING PARTS ..SCREW		10	
120	7244492264		..INSULATING SPACER OPT TO 2314 MADE BY VF5638 * * *		10	R

- ITEM NOT ILLUSTRATED

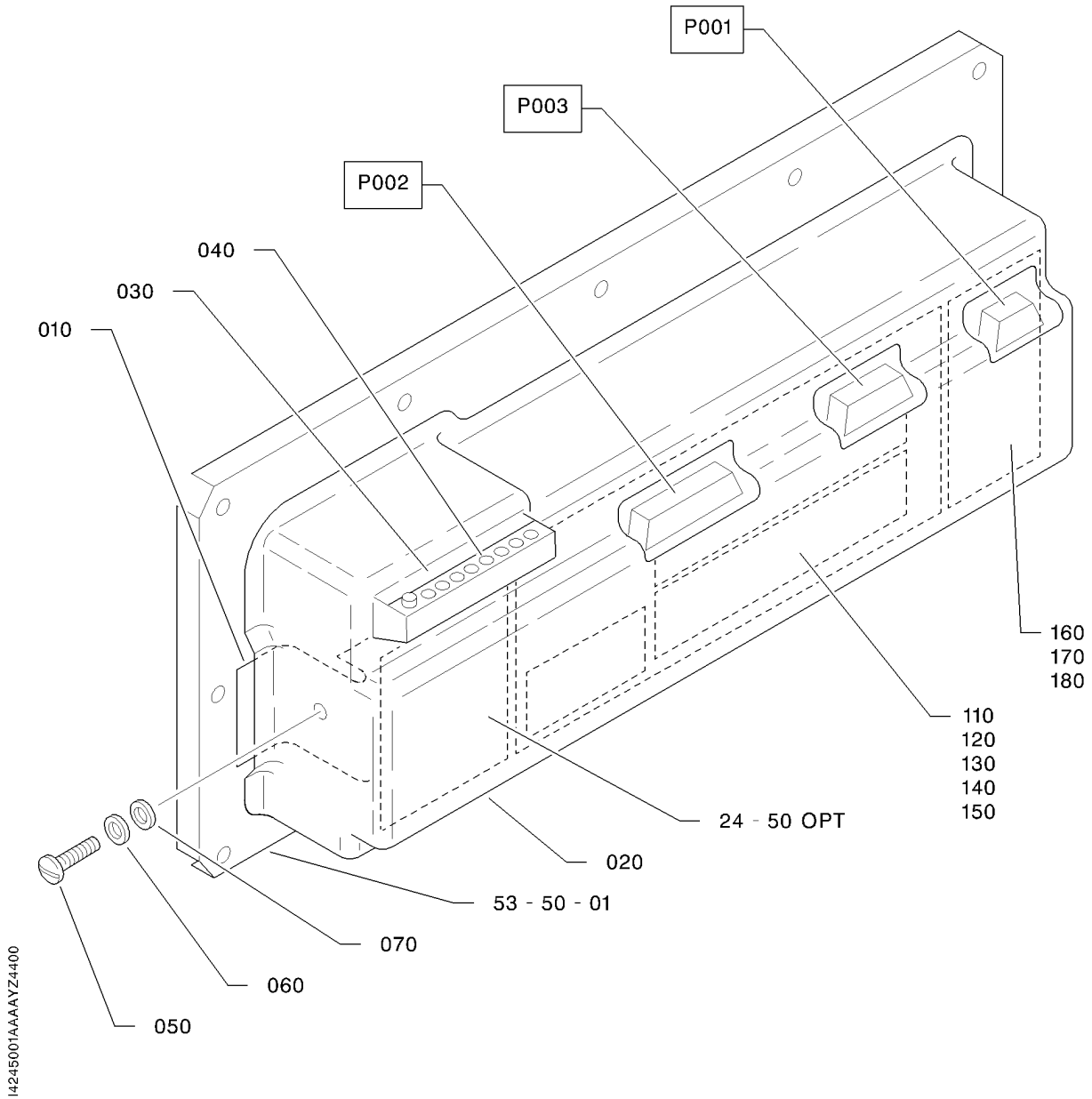
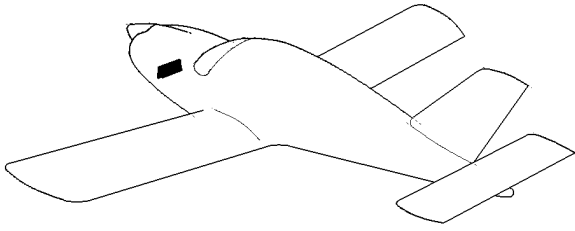
24-50-01

FIG. 1

PAGE 1

NOV 30/18

S/N 1 - 822, 850 - 887, 889 - 947



FUSES
FIGURE 1A

24-50-01

FIG. 1A
PAGE 0 R
NOV 30/18

FIG.ITEM	PART NUMBER	1234567 	NOMENCLATURE	EFFECT FROM TO	UNITS PER ASSY	OBS
1A- 1	TF24-50-01-01A-001		FUSES		RF	
10	TB20 61210002		.SUPPORT ASSY		1	
20	TB20 61210001		.COVER ASSY		1	
30	TB20 61210118		.SLIDE		1	
			S/N 823 - 849, 888, 948 - 1590 RPLD BY 07523.10 + 5032203080 + 5701039100			
- 30A	07523.10		.FUSE SUPPORT		1	
			RPLS TB20 61210118 AND 7245240140			
40	7245240140		..NEOPRENE ELEMENT VF9954		1	
			OPT TO F40 MADE BY VF9954 S/N 823 - 849, 888, 948 - 1590 RPLD BY 07523.10 + 5032203080 + 5701039100			
- 42	5032203080		.SCREW		3	
- 45	5701039100		.WASHER		3	R
			OPT TO 23111AD030L MADE BY VF0111			
			ATTACHING PARTS			
50	5111943086		.SCREW		2	
60	5701039160		.WASHER		2	R
			OPT TO NFL23111AD040L MADE BY VF0111			
70	5719061160		.WASHER		2	R
			OPT TO NFE27618E40AJTL MADE BY VF0111			
			* * *			
110	TB09 61225000		.FUSE PRINTED CIRCUIT ASSY		1	
120	7743700201		..WASHER VF2521		4	
			OPT TO 0325P0800E1.2 MADE BY VF2521			
130	7168764007		..DIODE		1	
140	7733114100		..RELAY VF7451		1	
			OPT TO 14A1A MADE BY VF7451			
150	7298150265		..FUSE 2A		AR	
160	TB20 6122800100		.ALTERNATOR PRINTED CIRCUIT		1	
			RPLD BY TB20 6122800100 ATTACHING PARTS			
170	5111943041		.SCREW		7	
180	7244492264		.INSULATING SPACER		7	R
			OPT TO 2314 MADE BY VF5638 * * *			

- ITEM NOT ILLUSTRATED

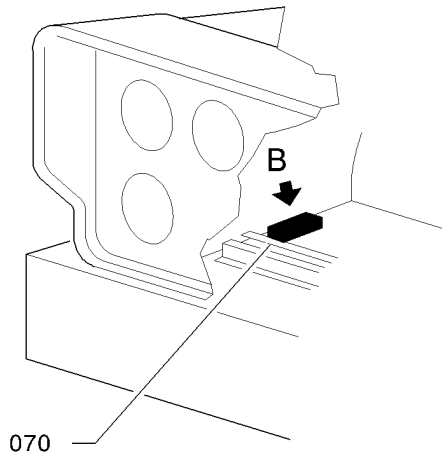
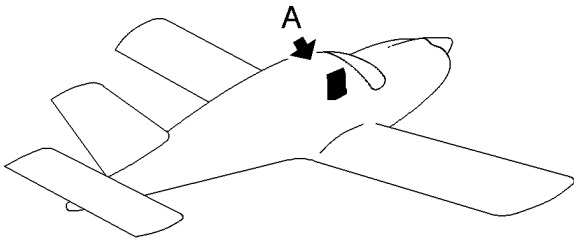
24-50-01

FIG. 1A

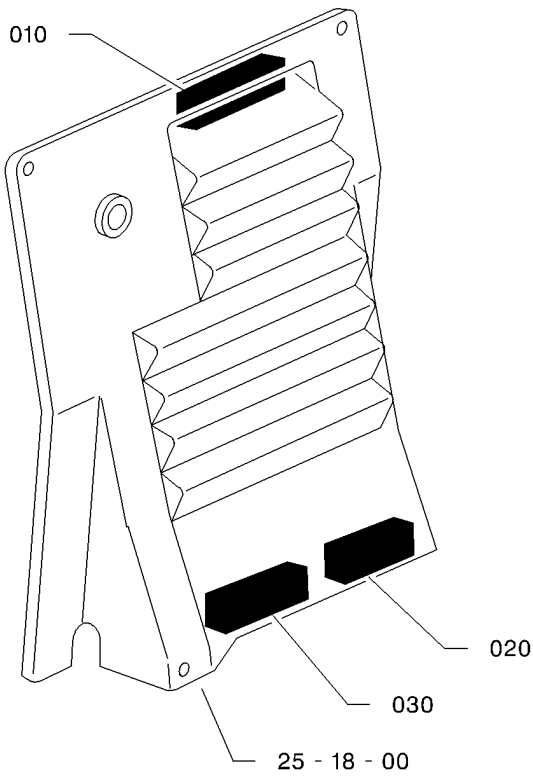
PAGE 1

NOV 30/18

S/N 823 - 849, 888, 948 - 9999

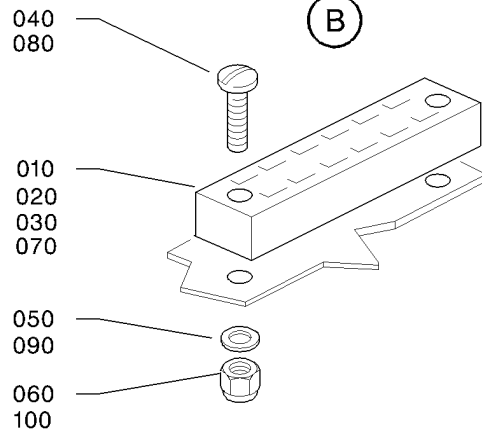


(A)



14245003AAACVZ14300

(B)



BUS BARS
FIGURE 1

24-50-02

FIG. 1

PAGE 0 R

NOV 30/18

FIG. ITEM	PART NUMBER	1234567 	NOMENCLATURE	EFFECT FROM TO	UNITS PER ASSY	OBS
1 - 1	TF24-50-02-01-001		BUS BARS		RF	
10	7067170011		. TERMINAL BLOCK VF0797 OPT TO 23911 MADE BY VF0797		1	
20	7067170011		. TERMINAL BLOCK VF0797 OPT TO 23911 MADE BY VF0797		1	
30	7067170011		. TERMINAL BLOCK VF0797 OPT TO 23911 MADE BY VF0797		1	
40	5111943194		ATTACHING PARTS . SCREW		6	
50	5701039240		. WASHER OPT TO ASN 53101 MADE BY VF0111		6	R
60	5401458239		. NUT OPT TO E25412B50QQVAL MADE BY VF0110		6	R
			* * *			
70	7067170011		. TERMINAL BLOCK VF0797 OPT TO 23911 MADE BY VF0797 S/N 731 - 764, 766 - 878		1	
			ATTACHING PARTS			
80	5111943093		. SCREW S/N 731 - 764, 766 - 878		2	
90	5701039160		. WASHER OPT TO NFL23111AD040L MADE BY VF0111 S/N 731 - 764, 766 - 878		2	R
100	5401458159		. NUT OPT TO E25412B40QQVAL MADE BY VF0110 S/N 731 - 764, 766 - 878 SUPSD BY 5414468159		2	R
-100A	5414468159		. NUT OPT TO 4PH135M MADE BY VF0224 S/N 731 - 764, 766 - 878 SUPSDS 5401458159		2	R
			* * *			

- ITEM NOT ILLUSTRATED

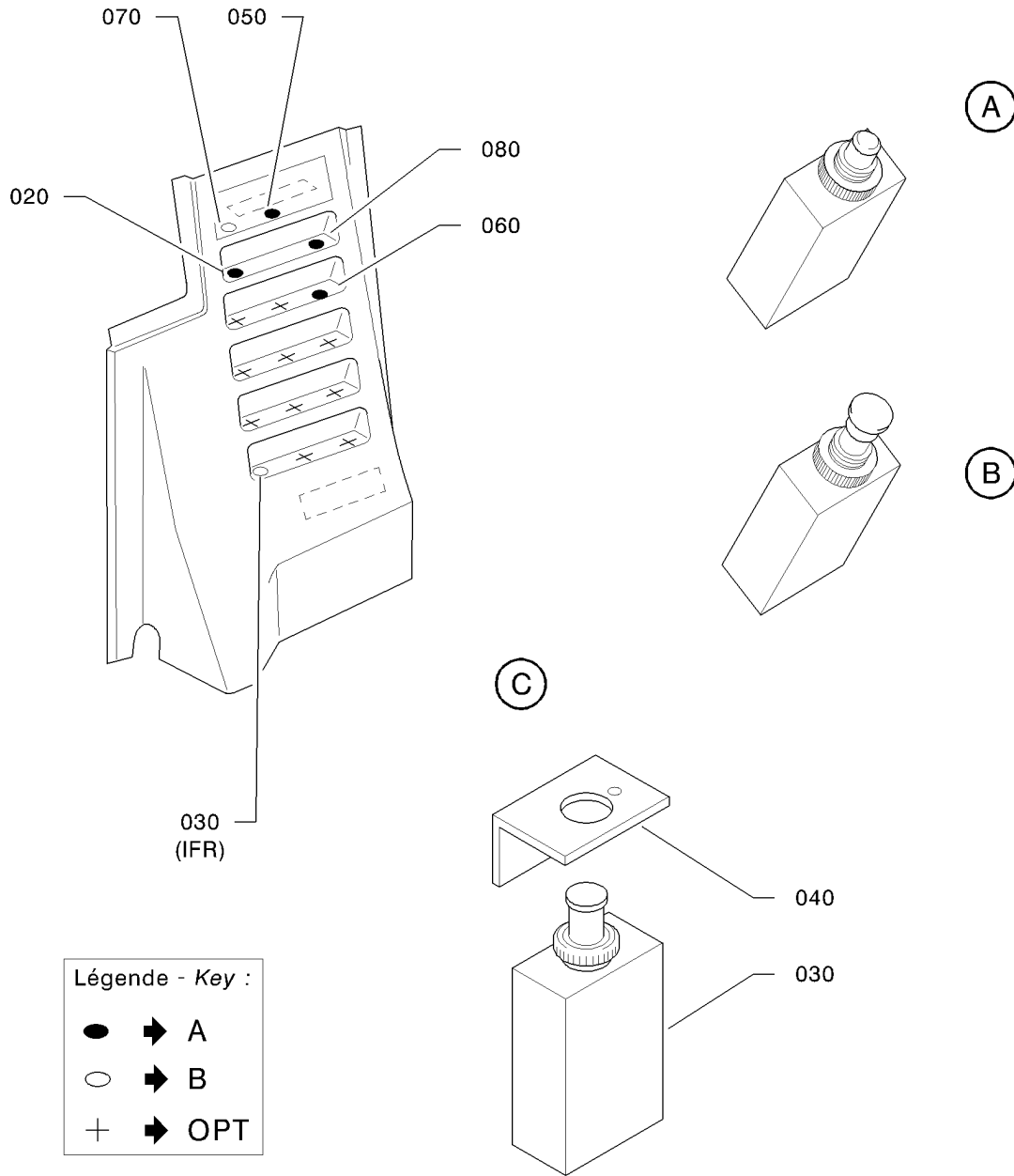
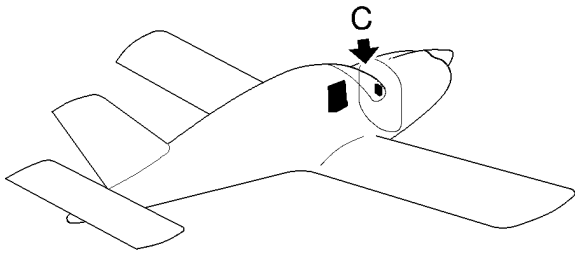
24-50-02

FIG. 1

PAGE 1

NOV 30/18

S/N 1 - 9999



I4245003AAACVZ14400

"PULL-OFF" TYPE CB AND CB
FIGURE 1

24-50-03

FIG. 1
PAGE 0 R

NOV 30/18

FIG. ITEM	PART NUMBER	NOMENCLATURE		EFFECT FROM TO	UNITS PER ASSY	OBS
		1234567 				
1 - 1	TF24-50-03-01-001		"PULL-OFF" TYPE CB AND CB		RF	
20	7173010011		.CIRCUIT BREAKER 5A VD8885 OPT TO 2-5700IG11P10-5A MADE BY VD8885 NORMAL LIGHTING RPLD BY 7173010105		1	OR
- 20A	7173010105		.CIRCUIT BREAKER 5A VD8885 OPT TO 2-5700IG11P10-059005-5A MADE BY VD8885 NORMAL LIGHTING RPLS 7173010011		1	
30	7173010004		."PULL-OFF" TYPE CIRCUIT VD8885 BREAKER 60A OPT TO 413K14LN2-60A MADE BY VD8885 ALTERNATOR		1	
40	TB10 61020100		.BRACKET ANGLE INSTALLATION ON AIRCRAFT WITHOUT IFR		1	
50	7173010014		.CIRCUIT BREAKER 10A VD8885 OPT TO 2-5700IG11P10-10A MADE BY VD8885 STARTER RPLD BY 7173010110		1	OR
- 50A	7173010110		.CIRCUIT BREAKER 10A VD8885 OPT TO 2-5700IG11P10-059005-10A MADE BY VD8885 STARTER RPLS 7173010014		1	
60	7173010008		.CIRCUIT BREAKER 1A VD8885 OPT TO 2-5700IG11P10-1A MADE BY VD8885 STALL WARNING DETECTOR RPLD BY 7173010101		1	OR
- 60A	7173010101		.CIRCUIT BREAKER 1A VD8885 OPT TO 2-5700IG11P10-059005-1A MADE BY VD8885 STALL WARNING DETECTOR RPLS 7173010008		1	
70	7173010015		.CIRCUIT BREAKER 15A VD8885 OPT TO 2-5700IG11P10-15A MADE BY VD8885 FLAPS		1	

- ITEM NOT ILLUSTRATED

24-50-03

FIG. 1

PAGE 1 R

NOV 30/18

FIG. ITEM	PART NUMBER	NOMENCLATURE	EFFECT FROM TO	UNITS PER ASSY	OBS
1 80	7173010014	1234567 .CIRCUIT BREAKER 10A VD8885 OPT TO 2-5700IG11P10-10A MADE BY VD8885 LIGHTER RPLD BY 7173010110		1	OR

- ITEM NOT ILLUSTRATED

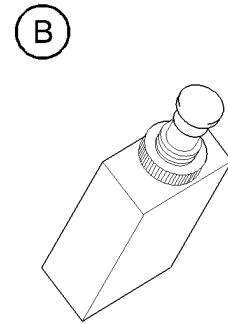
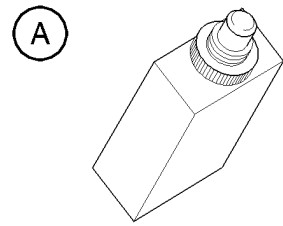
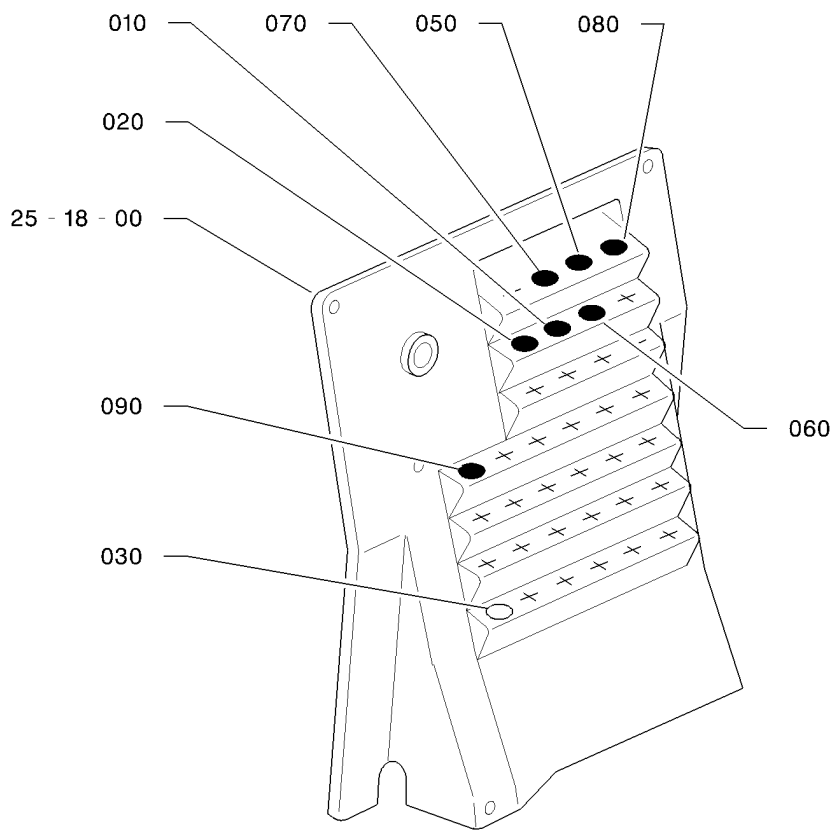
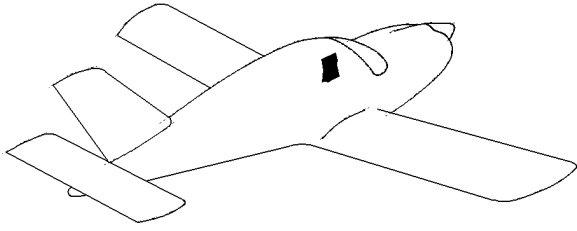
24-50-03

FIG. 1

PAGE 2 R

NOV 30/18

PAGE INTENTIONALLY BLANK



Légende - Key :

●	➔	A
○	➔	B
+	➔	OPT

"PULL-OFF" TYPE CB AND CB
FIGURE 1A

24-50-03

FIG. 1A

PAGE 0 R

NOV 30/18

FIG. ITEM	PART NUMBER	NOMENCLATURE	EFFECT FROM TO	UNITS PER ASSY	OBS
		1234567 			
1A- 1	TF24-50-03-01A-001	"PULL-OFF" TYPE CB AND CB		RF	
10	7173010008	.CIRCUIT BREAKER 1A VD8885 OPT TO 2-5700IG11P10-1A MADE BY VD8885 S/N 731 - 764, 766 - 822, 850 - 878 ; S/N 181 - 730 SEE 33-10-OPT EMERGENCY LIGHTING RPLD BY 7173010102		1	OR
- 10A	7173010101	.CIRCUIT BREAKER 1A VD8885 OPT TO 2-5700IG11P10-059005-1A MADE BY VD8885 S/N 731 - 764, 766 - 822, 850 - 878 ; S/N 181 - 730 SEE 33-10-OPT EMERGENCY LIGHTING RPLS 7173010009		1	
20	7173010011	.CIRCUIT BREAKER 5A VD8885 OPT TO 2-5700IG11P10-5A MADE BY VD8885 NORMAL LIGHTING RPLD BY 7173010105		1	OR
- 20A	7173010105	.CIRCUIT BREAKER 5A VD8885 OPT TO 2-5700IG11P10-059005-5A MADE BY VD8885 NORMAL LIGHTING RPLS 7173010011		1	
30	7173010004	."PULL-OFF" TYPE CIRCUIT BREAKER 60A VD8885 OPT TO 413K14LN2-60A MADE BY VD8885 ALTERNATOR		1	
50	7173010014	.CIRCUIT BREAKER 10A VD8885 OPT TO 2-5700IG11P10-10A MADE BY VD8885 STARTER RPLD BY 7173010110		1	OR
- 50A	7173010110	.CIRCUIT BREAKER 10A VD8885 OPT TO 2-5700IG11P10-059005-10A MADE BY VD8885 STARTER RPLS 7173010014		1	
60	7173010008	.CIRCUIT BREAKER 1A VD8885 OPT TO 2-5700IG11P10-1A MADE BY VD8885 STALL WARNING DETECTOR RPLD BY 7173010101		1	OR

- ITEM NOT ILLUSTRATED

24-50-03

FIG. 1A

PAGE 1 R

NOV 30/18

S/N 181 - 764, 766 - 822, 850 - 878

FIG. ITEM	PART NUMBER	NOMENCLATURE		EFFECT FROM TO	UNITS PER ASSY	OBS
		1234567 				
1A- 60A	7173010101	.	CIRCUIT BREAKER 1A VD8885 OPT TO 2-5700IG11P10-059005-1A MADE BY VD8885 STALL WARNING DETECTOR RPLS 7173010008		1	
70	7173010015	.	CIRCUIT BREAKER 15A VD8885 OPT TO 2-5700IG11P10-15A MADE BY VD8885 FLAPS		1	
80	7173010014	.	CIRCUIT BREAKER 10A VD8885 OPT TO 2-5700IG11P10-10A MADE BY VD8885 LIGHTER RPLD BY 7173010110		1	OR
- 80A	7173010110	.	CIRCUIT BREAKER 10A VD8885 OPT TO 2-5700IG11P10-059005-10A MADE BY VD8885 LIGHTER RPLS 7173010014		1	
90	7173010011	.	CIRCUIT BREAKER 5A VD8885 OPT TO 2-5700IG11P10-5A MADE BY VD8885 S/N 731 - 764, 766 - 822, 850 - 878 ; S/N 181 - 730 SEE 33-10-OPT RADIO LIGHTING RPLD BY 7173010105		1	OR
- 90A	7173010105	.	CIRCUIT BREAKER 5A VD8885 OPT TO 2-5700IG11P10-059005-5A MADE BY VD8885 S/N 731 - 764, 766 - 822, 850 - 878 ; S/N 181 - 730 SEE 33-10-OPT RADIO LIGHTING RPLS 7173010011		1	

- ITEM NOT ILLUSTRATED

24-50-03

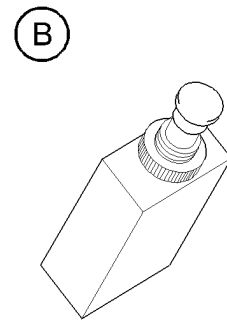
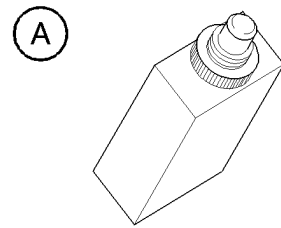
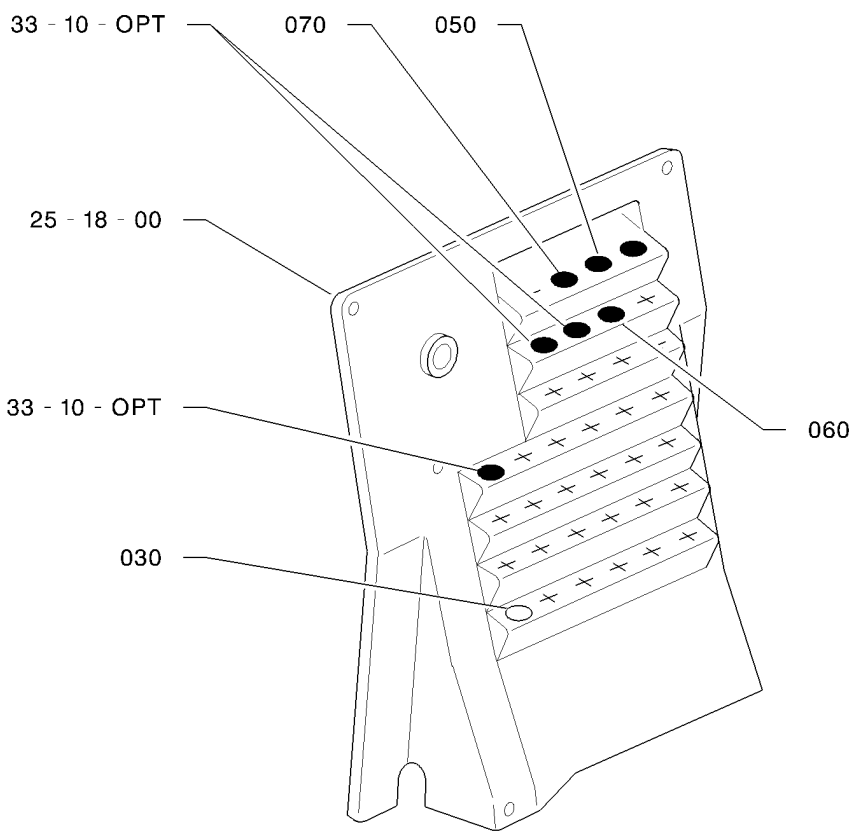
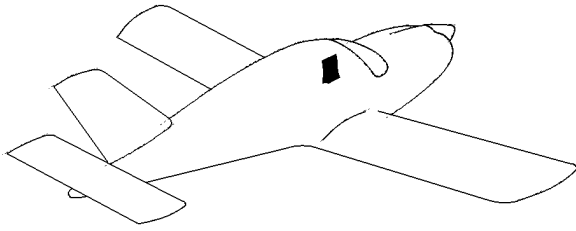
FIG. 1A

PAGE 2 R

NOV 30/18

S/N 181 - 764, 766 - 822, 850 - 878

PAGE INTENTIONALLY BLANK



Légende - Key :

●	➔	A
○	➔	B
+	➔	OPT

"PULL-OFF" TYPE CB AND CB
FIGURE 1B

24-50-03

FIG. 1B

PAGE 0 R

NOV 30/18

I4245003AAACVZ4401

FIG.ITEM	PART NUMBER	NOMENCLATURE		EFFECT FROM TO	UNITS PER ASSY	OBS
		1234567 				
1B- 1	TF24-50-03-01B-001		"PULL-OFF" TYPE CB AND CB		RF	
30	7173010004		. "PULL-OFF" TYPE CIRCUIT BREAKER 60A OPT TO 413K14LN2-60A MADE BY VD8885 ALTERNATOR		1	
50	7173010014		. CIRCUIT BREAKER 10A OPT TO 2-5700IG11P10-10A MADE BY VD8885 STARTER RPLD BY 7173010110		1	OR
- 50A	7173010110		. CIRCUIT BREAKER 10A OPT TO 2-5700IG11P10-059005-10A MADE BY VD8885 STARTER RPLS 7173010014		1	
60	7173010008		. CIRCUIT BREAKER 1A OPT TO 2-5700IG11P10-1A MADE BY VD8885 STALL WARNING DETECTOR RPLD BY 7173010101		1	OR
- 60A	7173010101		. CIRCUIT BREAKER 1A OPT TO 2-5700IG11P10-059005-1A MADE BY VD8885 STALL WARNING DETECTOR RPLS 7173010008		1	
70	7173010015		. CIRCUIT BREAKER 15A OPT TO 2-5700IG11P10-15A MADE BY VD8885 FLAPS		1	

- ITEM NOT ILLUSTRATED

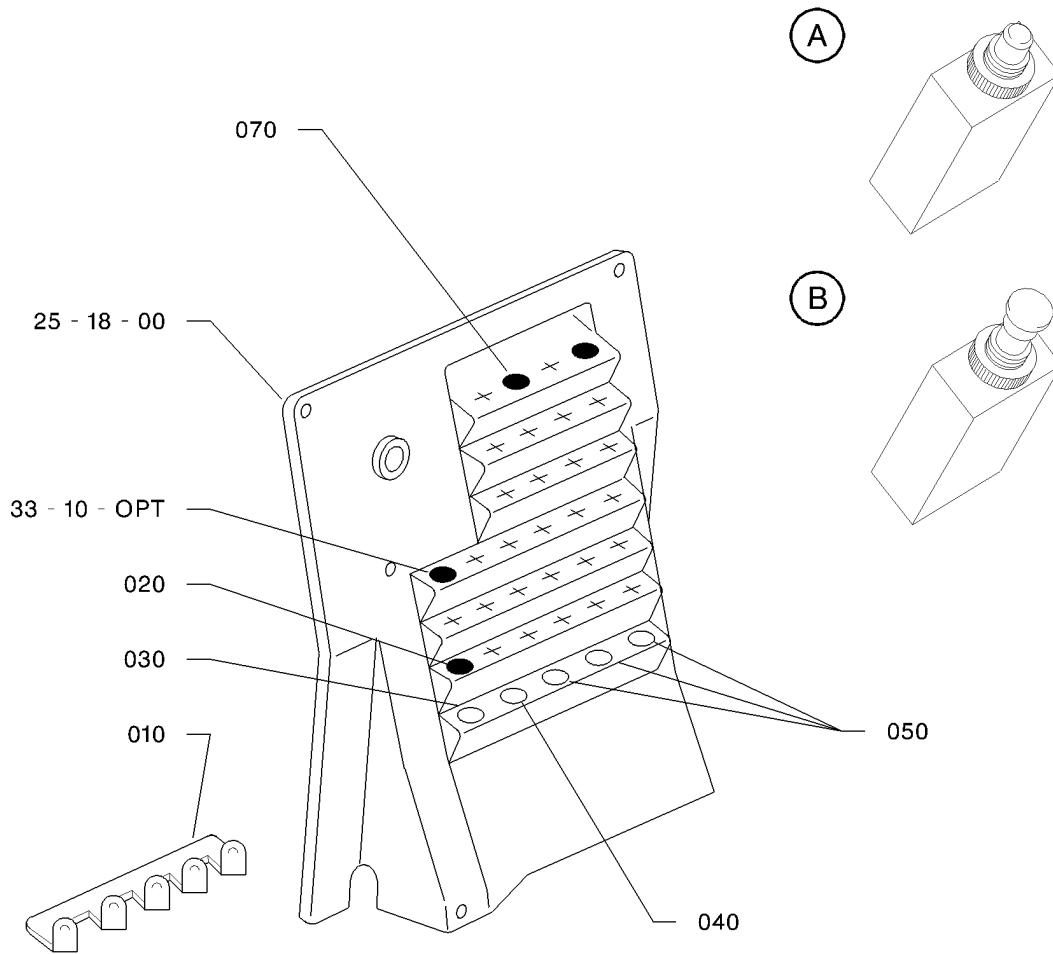
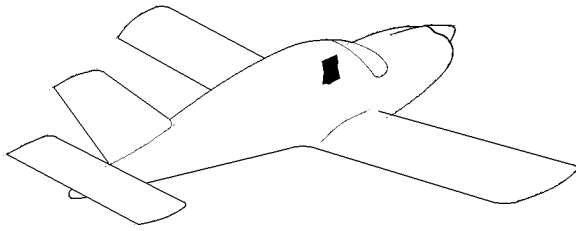
24-50-03

FIG. 1B

PAGE 1 R

NOV 30/18

S/N 765, 879 - 887, 889 - 947



Légende - Key :	
●	➔ A
○	➔ B
+	➔ OPT

"PULL-OFF" TYPE CB AND CB
FIGURE 1C

24-50-03

FIG. 1C

PAGE 0 R

NOV 30/18

FIG.ITEM	PART NUMBER	NOMENCLATURE		EFFECT FROM TO	UNITS PER ASSY	OBS
		1234567 				
1C- 1	TF24-50-03-01C-001		"PULL-OFF" TYPE CB AND CB		RF	
10	TB20 61219100		.CIRCUIT BREAKER TERMINAL STRIP		1	
20	7173010014		.CIRCUIT BREAKER 10A VD8885 OPT TO 2-5700IG11P10-10A MADE BY VD8885 S/N 823 - 849, 888, 948 - 1701, 1707 - 1762 ENERGIZATION RPLD BY 7173010108		1	OR
- 20A	7173010110		.CIRCUIT BREAKER 10A VD8885 OPT TO 2-5700IG11P10-059005-10A MADE BY VD8885 ENERGIZATION RPLS 7173010013		1	
30	7173010004		."PULL-OFF" TYPE CIRCUIT BREAKER 60A VD8885 OPT TO 413K14LN2-60A MADE BY VD8885 ALTERNATOR		1	
40	7173010005		."PULL-OFF" TYPE CIRCUIT BREAKER 70A VD8885 OPT TO 413K14LN2-70A MADE BY VD8885 MAIN SWITCH		1	
50	7173010016		."PULL-OFF" TYPE CIRCUIT BREAKER 30A VD8885 OPT TO 413K14LN2-30A MADE BY VD8885 BUS 1, BUS 2 AND BUS 3		3	
70	7173010013		.CIRCUIT BREAKER 8A VD8885 OPT TO 2-5700IG11P10-8A MADE BY VD8885 S/N 823 - 849, 888, 948 - 1701, 1707 - 1762 FLAPS RPLD BY 7173010108		1	OR
- 70A	7173010108		.CIRCUIT BREAKER 8A VD8885 OPT TO 2-5700IG11P10-059005-8A MADE BY VD8885 FLAPS RPLS 7173010013		1	

- ITEM NOT ILLUSTRATED

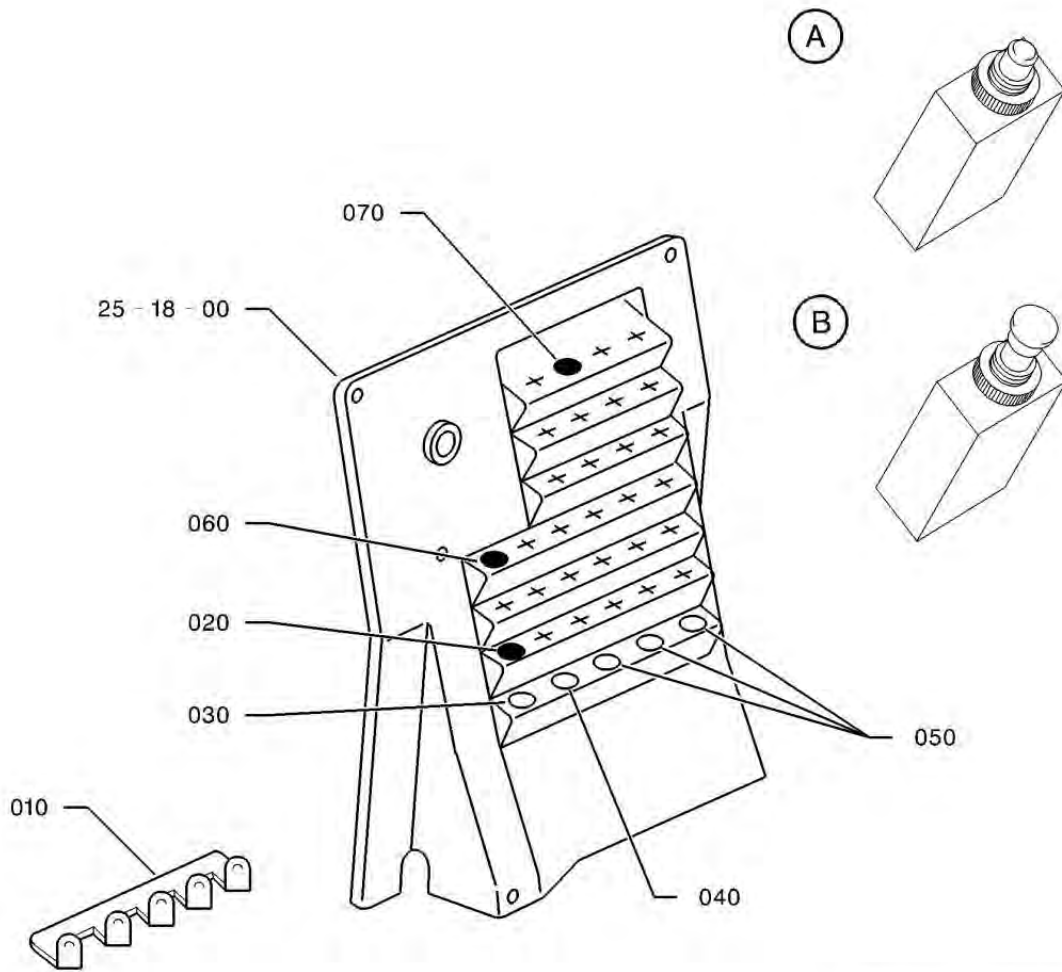
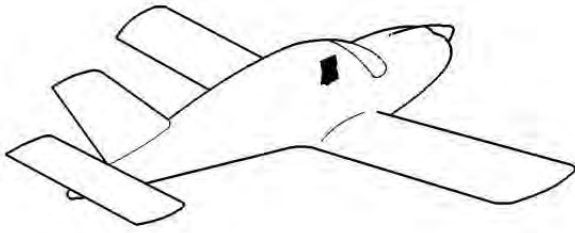
24-50-03

FIG. 1C

PAGE 1 R

NOV 30/18

S/N 823 - 849, 888, 948 - 1850



I4245003AAAAAYZ14400

Légende - Key :		
●	➔	A
○	➔	B
+	➔	OPT

"PULL-OFF" TYPE CB AND CB
FIGURE 1D

24-50-03

FIG. 1D

PAGE 0 R

NOV 30/18

FIG.ITEM	PART NUMBER	NOMENCLATURE		EFFECT FROM TO	UNITS PER ASSY	OBS
		1234567 				
1D- 1	TF24-50-03-01D-001		"PULL-OFF" TYPE CB AND CB		RF	R
10	TB20 61219100		.CIRCUIT BREAKER TERMINAL STRIP		1	R
20	7173010110		.CIRCUIT BREAKER 10A OPT TO 2-5700IG11P10-059005-10A MADE BY VD8885 ENERGIZATION		1	R
30	7173010004		."PULL-OFF" TYPE CIRCUIT BREAKER 60A OPT TO 413K14LN2-60A MADE BY VD8885 ALTERNATOR		1	R
40	7173010005		."PULL-OFF" TYPE CIRCUIT BREAKER 70A OPT TO 413K14LN2-70A MADE BY VD8885 MAIN SWITCH		1	R
50	7173010016		."PULL-OFF" TYPE CIRCUIT BREAKER 30A OPT TO 413K14LN2-30A MADE BY VD8885 BUS 1, BUS 2 AND BUS 3		3	R
60	7173010105		.CIRCUIT BREAKER 5A OPT TO 2-5700IG11P10-059005-5A MADE BY VD8885 LIGHTING		1	R
70	7173010108		.CIRCUIT BREAKER 8A OPT TO 2-5700IG11P10-059005-8A MADE BY VD8885 FLAPS		1	R

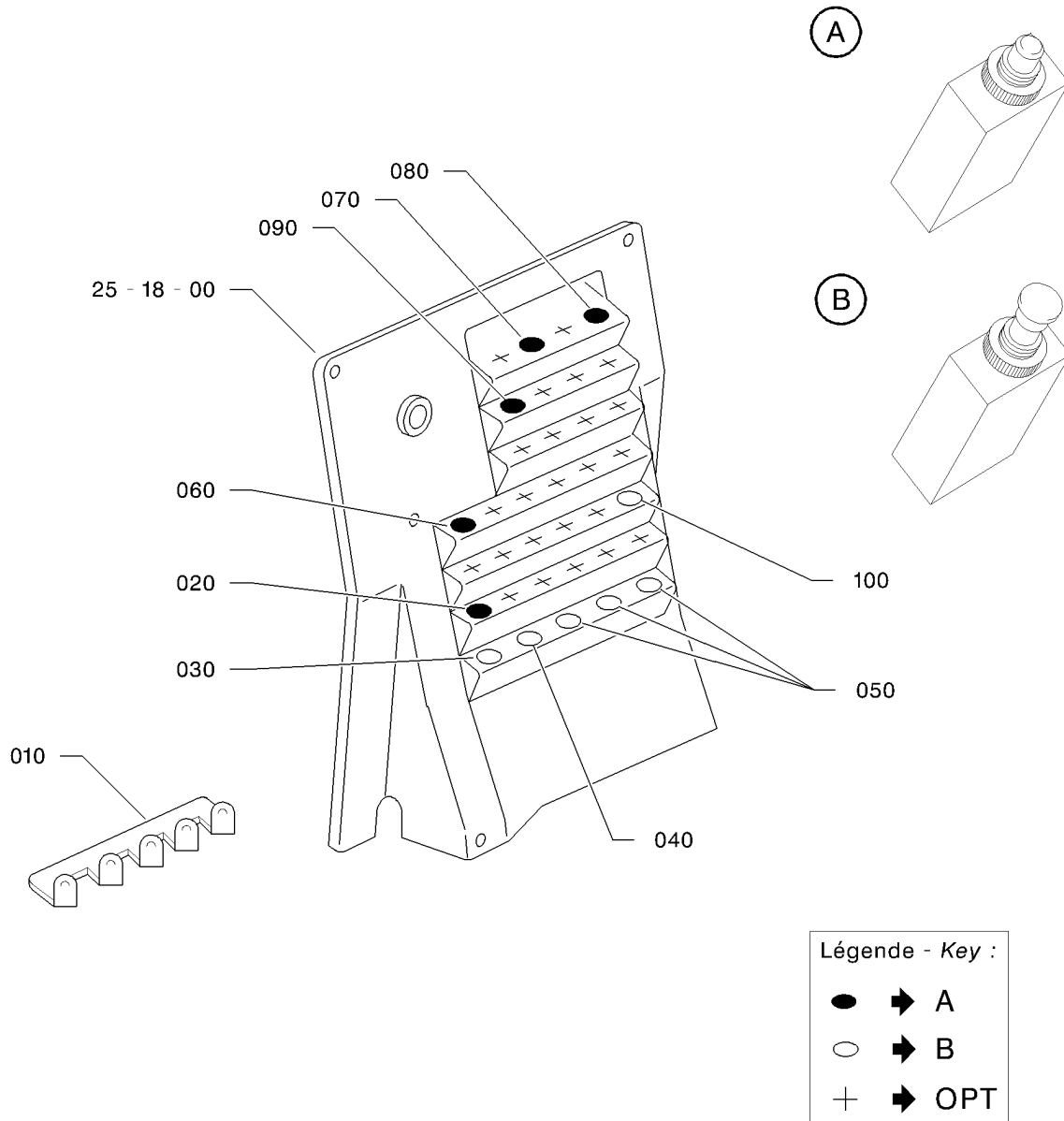
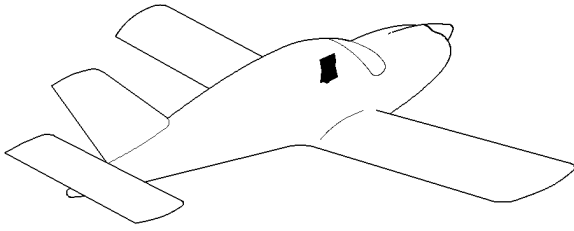
- ITEM NOT ILLUSTRATED

24-50-03

FIG. 1D

PAGE 1

NOV 30/18



14245003AAAAZY14500

"PULL-OFF" TYPE CB AND CB
FIGURE 1E

24-50-03

FIG. 1E

PAGE 0 R

NOV 30/18

FIG.ITEM	PART NUMBER	NOMENCLATURE		EFFECT FROM TO	UNITS PER ASSY	OBS
		1234567 				
1E- 1	TF24-50-03-01E-001		"PULL-OFF" TYPE CB AND CB		RF	R
10	TB20 61219100		.CIRCUIT BREAKER TERMINAL STRIP		1	
20	7173010110		.CIRCUIT BREAKER 10A OPT TO 2-5700IG11P10-059005-10A MADE BY VD8885 ENERGIZATION		1	R
30	7173010004		."PULL-OFF" TYPE CIRCUIT BREAKER 60A OPT TO 413K14LN2-60A MADE BY VD8885 ALTERNATOR		1	R
40	7173010005		."PULL-OFF" TYPE CIRCUIT BREAKER 70A OPT TO 413K14LN2-70A MADE BY VD8885 MAIN SWITCH		1	R
50	7173010016		."PULL-OFF" TYPE CIRCUIT BREAKER 30A OPT TO 413K14LN2-30A MADE BY VD8885 BUS 1, BUS 2 AND BUS 3		3	R
60	7173010105		.CIRCUIT BREAKER 5A OPT TO 2-5700IG11P10-059005-5A MADE BY VD8885 LIGHTING		1	R
70	7173010108		.CIRCUIT BREAKER 8A OPT TO 2-5700IG11P10-059005-8A MADE BY VD8885 FLAPS		1	R
80	7173010105		.CIRCUIT BREAKER 5A OPT TO 2-5700IG11P10-059005-5A MADE BY VD8885 LIGHTER		1	R
90	7173010101		.CIRCUIT BREAKER 1A OPT TO 2-5700IG11P10-059005-1A MADE BY VD8885 OAT		1	R
100	7173010019		."PULL-OFF" TYPE CIRCUIT BREAKER 1A OPT TO 483-96TCK14-1A MADE BY VD8885 RMS RPLD BY 7173010046		1	R
-100A	7173010046		.CIRCUIT BREAKER 1A RPLS 7173010019		1	R

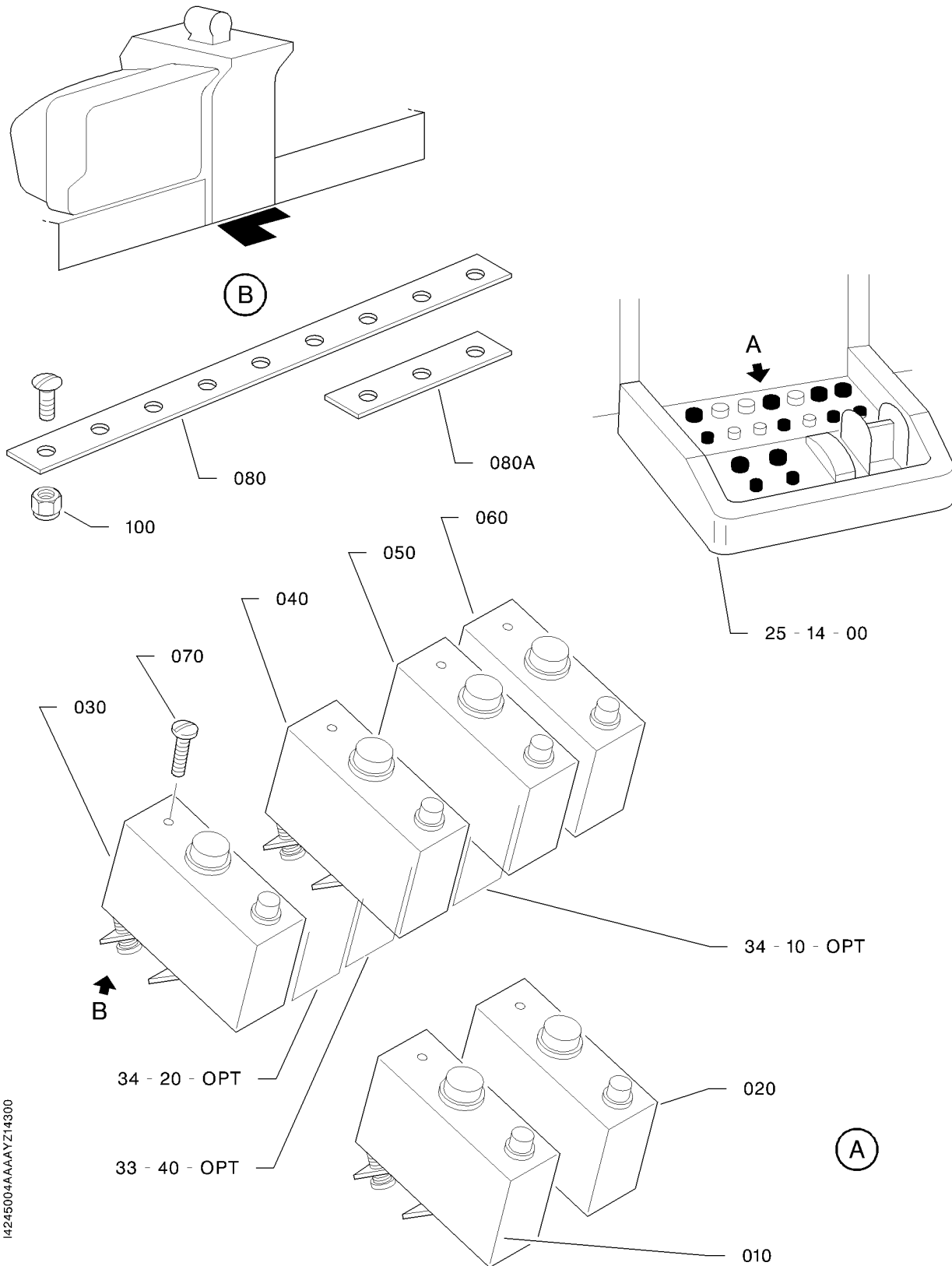
- ITEM NOT ILLUSTRATED

24-50-03

FIG. 1E

PAGE 1

NOV 30/18



I4245004AAAAZY14300

SWITCHES
FIGURE 1

24-50-04

FIG. 1
PAGE 0 R
NOV 30/18

FIG.ITEM	PART NUMBER	NOMENCLATURE					EFFECT FROM TO	UNITS PER ASSY	OBS
		1	2	3	4	5			
1 - 1	TF24-50-04-01-001	SWITCHES						RF	
10	7173141128	.SWITCH-TYPE CIRCUIT BREAKER 1A S/N 1 - 500 MAIN SWITCH RPLD BY 7173141101						1	OR
- 10A	7173141126	.SWITCH-TYPE CIRCUIT BREAKER 1A S/N 501 - 764, 766 - 822, 850 - 878 MAIN SWITCH RPLD BY 7173141101						1	OR
- 10B	7173141101	.SWITCH-TYPE CIRCUIT BREAKER 1A MAIN SWITCH RPLS 7173141126 AND 7173141128						1	R
20	7173141127	.SWITCH-TYPE CIRCUIT BREAKER 5A WITH PRESTOLITE VOLTAGE REGULATOR AND OVERVOLTAGE RELAY, SEE 24-30-03-01 ALTERNATOR RPLD BY 7173141100						1	OR
- 20A	7173141129	.SWITCH-TYPE CIRCUIT BREAKER 3.2A WITH LAMAR REGULATOR, SEE 24-30-03-01 ALTERNATOR RPLD BY 7173141102						1	OR
- 20B	7173141100	.SWITCH-TYPE CIRCUIT BREAKER 5A WITH PRESTOLITE VOLTAGE REGULATOR AND OVERVOLTAGE RELAY, SEE 24-30-03-01 ALTERNATOR RPLS 7173141127 RPLD BY 7173141136						1	R
- 20C	7173141102	.SWITCH-TYPE CIRCUIT BREAKER 3.2A WITH LAMAR REGULATOR, SEE 24-30-03-01 ALTERNATOR RPLS 7173141129						1	
- 20D	7173141136	.SWITCH-TYPE CIRCUIT BREAKER 5A WITH PRESTOLITE VOLTAGE REGULATOR AND OVERVOLTAGE RELAY, SEE 24-30-03-01 ALTERNATOR RPLS 7173141100						1	OR R
30	7173141125	.SWITCH-TYPE CIRCUIT BREAKER 5A FUEL PUMP RPLD BY 7173141100						1	OR

- ITEM NOT ILLUSTRATED

24-50-04

FIG. 1

PAGE 1

NOV 30/18

S/N 1 - 764, 766 - 822, 850 - 878

FIG. ITEM	PART NUMBER	NOMENCLATURE		EFFECT FROM TO	UNITS PER ASSY	OBS
		1234567 				
1 - 30A	7173141100		.SWITCH-TYPE CIRCUIT BREAKER 5A FUEL PUMP RPLS 7173141125		1	
40	7173141130		.SWITCH-TYPE CIRCUIT BREAKER 10A NAVIGATION LIGHTS RPLD BY 7173141105		1	OR
- 40A	7173141105		.SWITCH-TYPE CIRCUIT BREAKER 10A NAVIGATION LIGHTS RPLS 7173141130		1	
50	7173141130		.SWITCH-TYPE CIRCUIT BREAKER 10A TAXI LIGHTS RPLD BY 7173141105		1	OR
- 50A	7173141105		.SWITCH-TYPE CIRCUIT BREAKER 10A TAXI LIGHTS RPLS 7173141130		1	
60	7173141130		.SWITCH-TYPE CIRCUIT BREAKER 10A LANDING LIGHTS RPLD BY 7173141105		1	OR
- 60A	7173141105		.SWITCH-TYPE CIRCUIT BREAKER 10A LANDING LIGHTS RPLS 7173141130		1	
70	7907140001		.SCREW		12	
80	TB10 61131100		.SHUNT S/N 1 - 180 WITHOUT IFR		1	
- 80A	TB10 61131101		.SHUNT S/N 181 - 764, 766 - 822, 850 - 878 ; S/N 1 - 180 IF WITH IFR ATTACHING PARTS		1	R
90	5111929031		.SCREW		2	
100	5401458099		.NUT OPT TO E25412B30QQVAL MADE BY VF0110 * * *		2	R

- ITEM NOT ILLUSTRATED

24-50-04

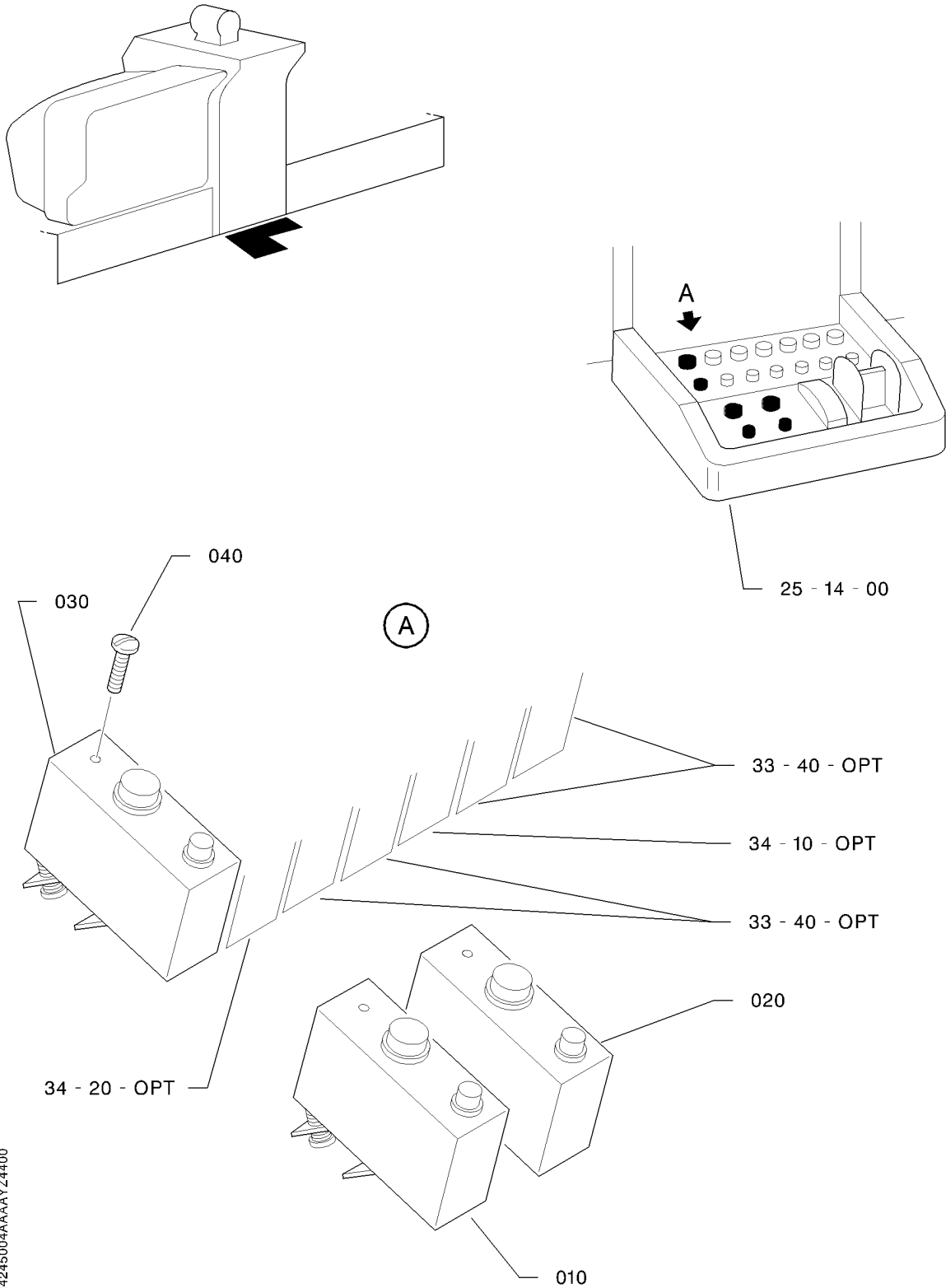
FIG. 1

PAGE 2

NOV 30/18

S/N 1 - 764, 766 - 822, 850 - 878

PAGE INTENTIONALLY BLANK



14245004AAAAYZ4400

SWITCHES
FIGURE 1A

24-50-04

FIG. 1A

PAGE 0 R

NOV 30/18

FIG.ITEM	PART NUMBER	NOMENCLATURE		EFFECT FROM TO	UNITS PER ASSY	OBS
		1	2			
1A- 1	TF24-50-04-01A-001	SWITCHES			RF	
10	7173141126	.SWITCH-TYPE CIRCUIT BREAKER 1A MAIN SWITCH RPLD BY 7173141101			1	OR
- 10A	7173141101	.SWITCH-TYPE CIRCUIT BREAKER 1A MAIN SWITCH RPLS 7173141126			1	
20	7173141129	.SWITCH-TYPE CIRCUIT BREAKER 3.2A ALTERNATOR RPLD BY 7173141102			1	OR
- 20A	7173141102	.SWITCH-TYPE CIRCUIT BREAKER 3.2A ALTERNATOR RPLS 7173141129			1	
30	7173141125	.SWITCH-TYPE CIRCUIT BREAKER 5A FUEL PUMP RPLD BY 7173141100			1	OR
- 30A	7173141100	.SWITCH-TYPE CIRCUIT BREAKER 5A FUEL PUMP RPLS 7173141125			1	
40	7907140001	.SCREW			6	

- ITEM NOT ILLUSTRATED

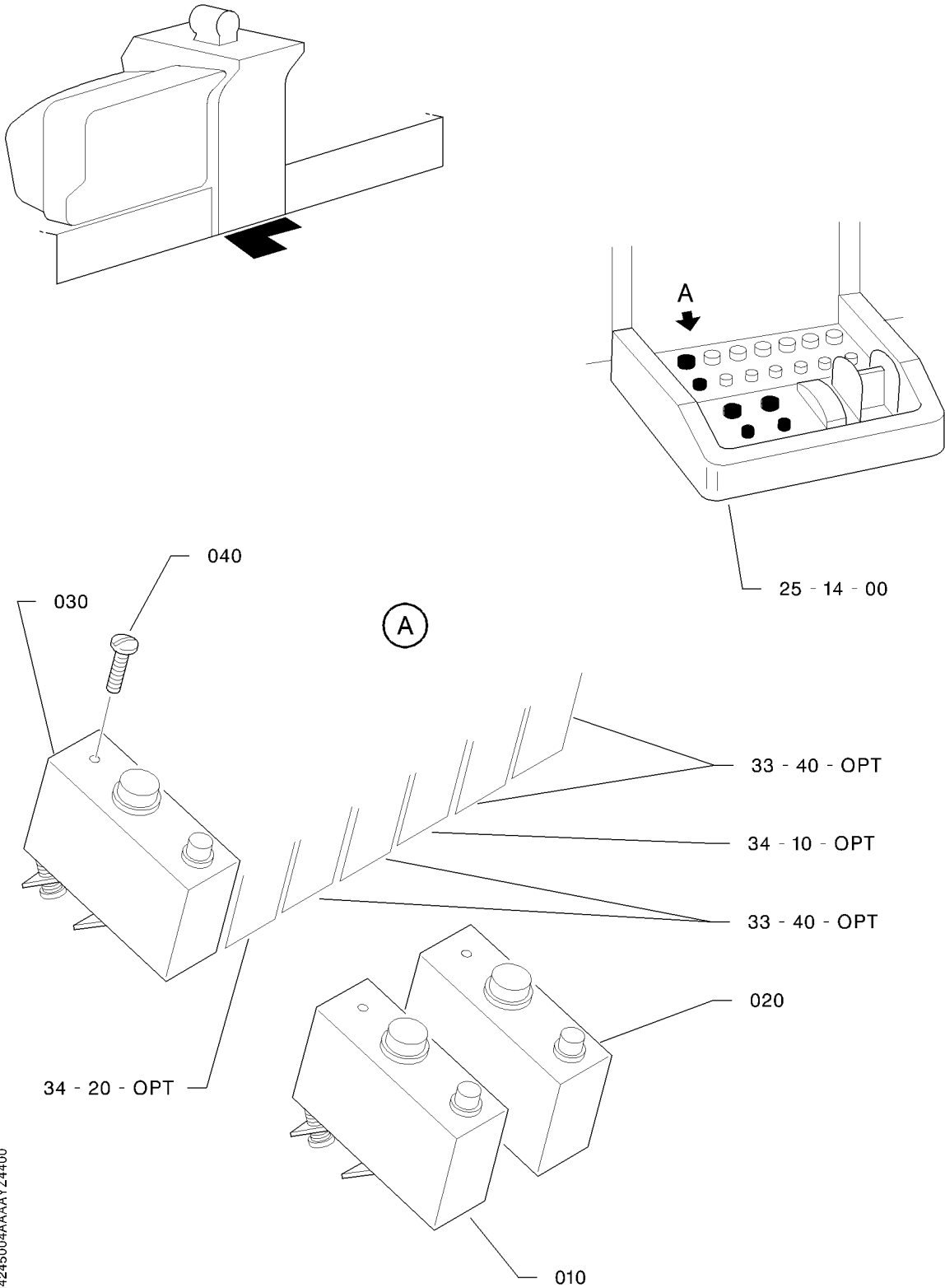
24-50-04

FIG. 1A

PAGE 1 R

NOV 30/18

S/N 765, 879 - 887, 889 - 947



14245004AAAAYZ4400

SWITCHES
FIGURE 1B

24-50-04

FIG. 1B

PAGE 0 R

NOV 30/18

FIG.ITEM	PART NUMBER	NOMENCLATURE		EFFECT FROM TO	UNITS PER ASSY	OBS
		1	2			
1B- 1	TF24-50-04-01B-001	SWITCHES			RF	
10	7173141101	.SWITCH-TYPE CIRCUIT BREAKER 1A MAIN SWITCH			1	
20	7173141100	.SWITCH-TYPE CIRCUIT BREAKER 5A ALTERNATOR			1	
30	7173141101	.SWITCH-TYPE CIRCUIT BREAKER 1A PRE-MOD. 199 FUEL PUMP			1	
- 30A	7173141100	.SWITCH-TYPE CIRCUIT BREAKER 5A POST-MOD. 199 FUEL PUMP			1	
40	7907140001	.SCREW			6	

- ITEM NOT ILLUSTRATED

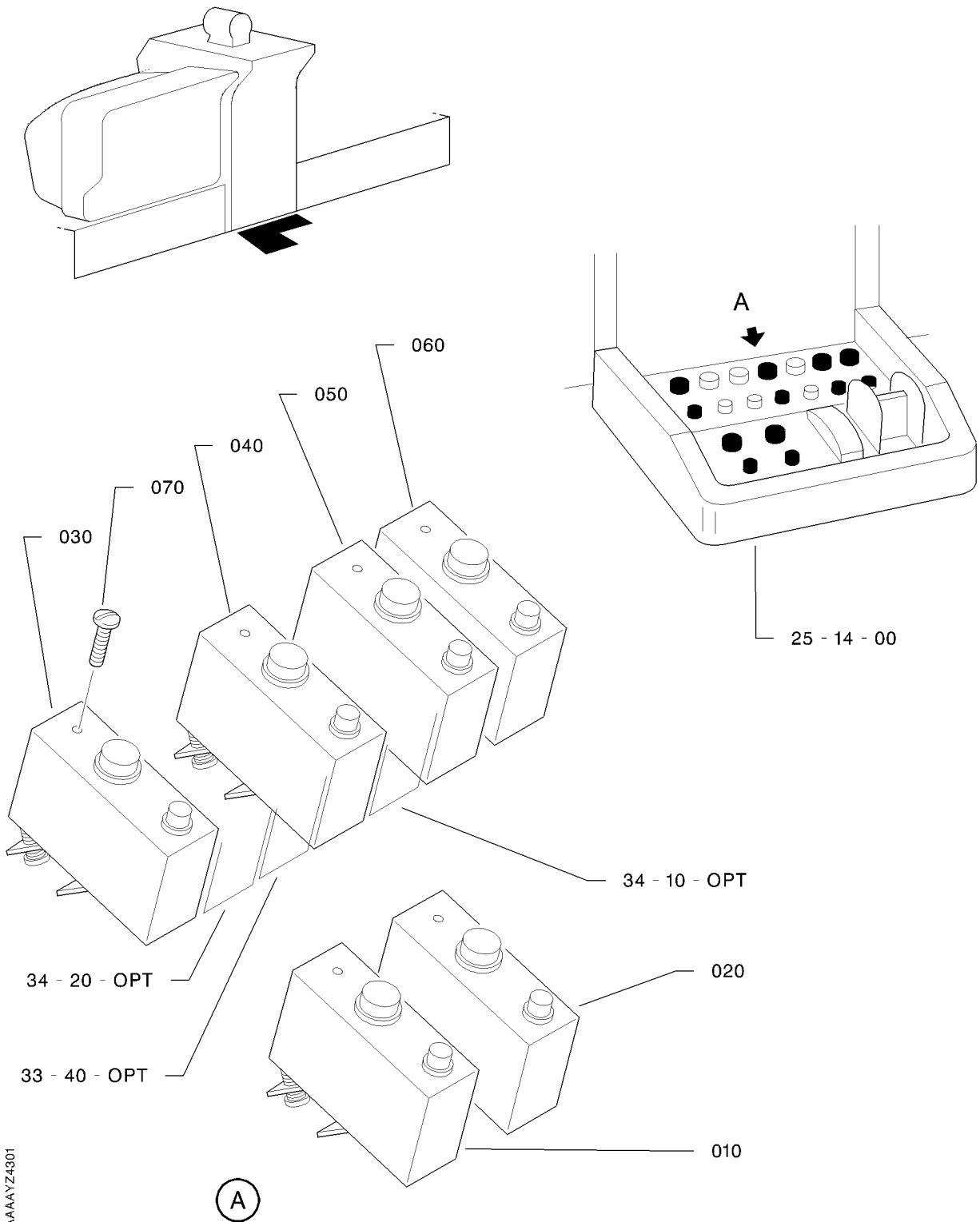
24-50-04

FIG. 1B

PAGE 1 R

NOV 30/18

S/N 823 - 849, 888, 948 - 1850



14245004AAAAYZ4301

SWITCHES
FIGURE 1C

24-50-04

FIG. 1C
PAGE 0 R
NOV 30/18

FIG. ITEM	PART NUMBER	NOMENCLATURE		EFFECT FROM TO	UNITS PER ASSY	OBS
		1	234567			
1C- 1	TF24-50-04-01C-001		SWITCHES		RF	
10	7173141101		.SWITCH-TYPE CIRCUIT BREAKER 1A MAIN SWITCH		1	
20	7173141100		.SWITCH-TYPE CIRCUIT BREAKER 5A ALTERNATOR		1	
30	7173141101		.SWITCH-TYPE CIRCUIT BREAKER 1A PRE-MOD. 199 FUEL PUMP		1	
- 30A	7173141100		.SWITCH-TYPE CIRCUIT BREAKER 5A POST-MOD. 199 FUEL PUMP		1	
40	7173141100		.SWITCH-TYPE CIRCUIT BREAKER 5A NAVIGATION LIGHTS		1	
50	7173141105		.SWITCH-TYPE CIRCUIT BREAKER 10A TAXI LIGHTS		1	
60	7173141100		.SWITCH-TYPE CIRCUIT BREAKER 5A LANDING LIGHTS		1	
70	7907140001		.SCREW		12	

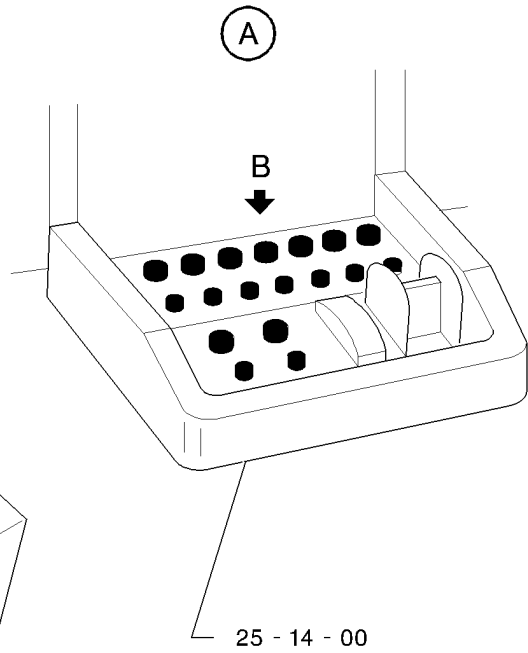
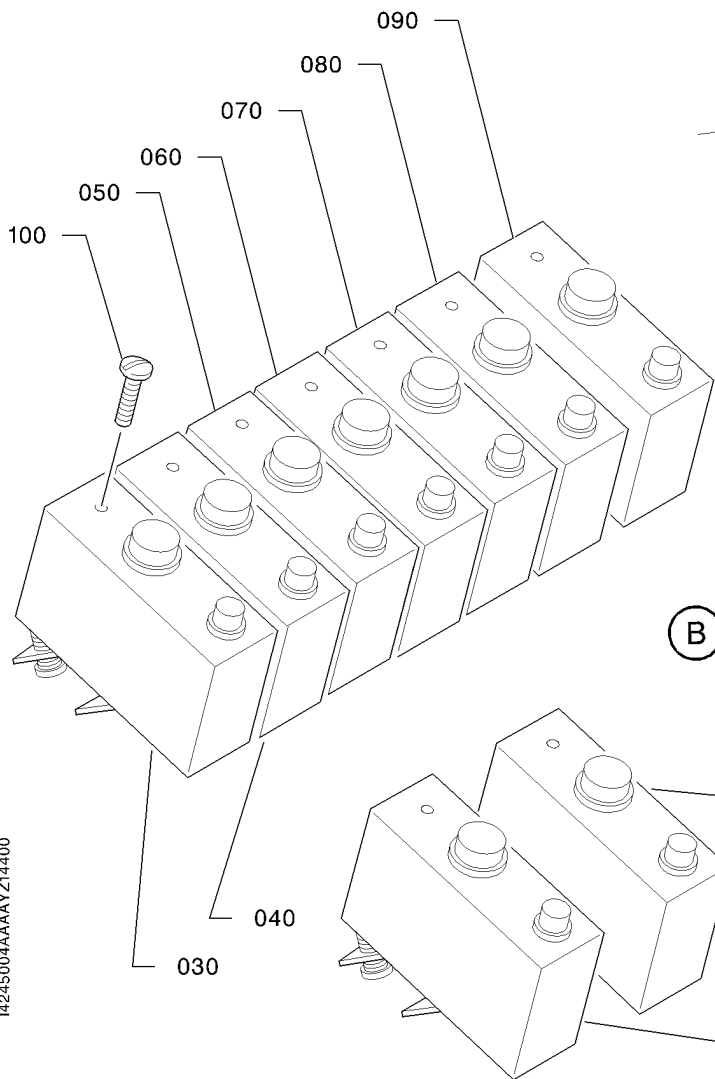
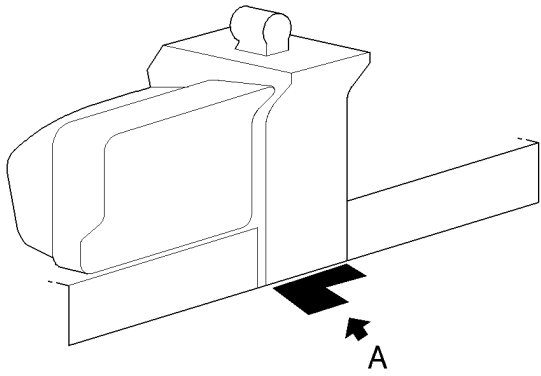
- ITEM NOT ILLUSTRATED

24-50-04

FIG. 1C

PAGE 1 R

NOV 30/18



I4245004AAAAYZ14400

SWITCHES
FIGURE 1D

24-50-04

FIG. 1D
PAGE 0 R
NOV 30/18

FIG. ITEM	PART NUMBER	NOMENCLATURE		EFFECT FROM TO	UNITS PER ASSY	OBS
		1	2			
1D- 1	TF24-50-04-01D-001	SWITCHES			RF	
10	7173141101	.SWITCH-TYPE CIRCUIT BREAKER 1A MAIN SWITCH			1	
20	7173141100	.SWITCH-TYPE CIRCUIT BREAKER 5A ALTERNATOR			1	
30	7173141101	.SWITCH-TYPE CIRCUIT BREAKER 1A PRE-MOD. 199 FUEL PUMP			1	
- 30A	7173141100	.SWITCH-TYPE CIRCUIT BREAKER 5A POST-MOD. 199 FUEL PUMP			1	
40	7173141101	.SWITCH-TYPE CIRCUIT BREAKER 1A TRANSVERSAL LEVEL			1	
50	7173141100	.SWITCH-TYPE CIRCUIT BREAKER 5A ANTICOLLISION LIGHTS			1	
60	7173141100	.SWITCH-TYPE CIRCUIT BREAKER 5A NAVIGATION LIGHTS			1	
70	7173141105	.SWITCH-TYPE CIRCUIT BREAKER 10A HEATED PITOT			1	
80	7173141105	.SWITCH-TYPE CIRCUIT BREAKER 10A TAXI LIGHTS			1	
90	7173141100	.SWITCH-TYPE CIRCUIT BREAKER 5A LANDING LIGHTS			1	
100	7907140001	.SCREW			18	

- ITEM NOT ILLUSTRATED

24-50-04

FIG. 1D

PAGE 1 R

NOV 30/18

PAGE INTENTIONALLY BLANK