

25

**EQUIPMENT
FURNISHINGS**

CHAPTER 25
EQUIPMENT / FURNISHINGS
LIST OF EFFECTIVE PAGES

CH-SECT	UNIT-FIG	PAGE	DATE	CH-SECT	UNIT-FIG	PAGE	DATE
LEP		1 *	NOV 30/18	25-11-02	1E	0 *	NOV 30/18
LEP		2 *	NOV 30/18	25-11-02	1E	1 *	NOV 30/18
LEP		3 *	NOV 30/18	25-11-02	1E	2 *	NOV 30/18
LEP		4 *	NOV 30/18	25-11-02	1E	3 *	NOV 30/18
TOC		1 *	NOV 30/18	25-11-02	1F	0 *	NOV 30/18
TOC		2 *	NOV 30/18	25-11-02	1F	1 *	NOV 30/18
TOC		3 *	NOV 30/18	25-11-02	1G	0 *	NOV 30/18
TOC		4 *	NOV 30/18	25-11-02	1G	1 *	NOV 30/18
TOC		5 *	NOV 30/18	25-11-02	1G	2 *	NOV 30/18
TOC		6 *	NOV 30/18	25-11-02	1G	3 *	NOV 30/18
TOC		7 *	NOV 30/18	25-11-02	1H	0 *	NOV 30/18
TOC		8 *	NOV 30/18	25-11-02	1H	1 *	NOV 30/18
TOC		9 *	NOV 30/18	25-11-02	1H	2 *	NOV 30/18
TOC		10 *	NOV 30/18	25-11-02	1H	3 *	NOV 30/18
TOC		11 *	NOV 30/18	25-11-02	1J	0 *	NOV 30/18
25-00-00	1	0 *	NOV 30/18	25-11-02	1J	1 *	NOV 30/18
25-00-00	1	1 *	NOV 30/18	25-11-02	1J	2 *	NOV 30/18
25-10-00	1	0 *	NOV 30/18	25-11-02	1J	3 *	NOV 30/18
25-10-00	1	1 *	NOV 30/18	25-11-02	1K	0 *	NOV 30/18
25-11-00	1	0 *	NOV 30/18	25-11-02	1K	1 *	NOV 30/18
25-11-00	1	1 *	NOV 30/18	25-11-02	1K	2 *	NOV 30/18
25-11-01	1	0 *	NOV 30/18	25-11-02	1K	3 *	NOV 30/18
25-11-01	1	1 *	NOV 30/18	25-11-02	1N	0 *	NOV 30/18
25-11-01	1A	0 *	NOV 30/18	25-11-02	1N	1 *	NOV 30/18
25-11-01	1A	1 *	NOV 30/18	25-11-02	1N	2 *	NOV 30/18
25-11-01	1B	0 *	NOV 30/18	25-11-02	1N	3 *	NOV 30/18
25-11-01	1B	1 *	NOV 30/18	25-11-03	1	0 *	NOV 30/18
25-11-01	1C	0 *	NOV 30/18	25-11-03	1	1 *	NOV 30/18
25-11-01	1C	1 *	NOV 30/18	25-11-03	1	2 *	NOV 30/18
25-11-01	1E	0 *	NOV 30/18	25-11-03	1	3 *	NOV 30/18
25-11-01	1E	1 *	NOV 30/18	25-11-03	1A	0 *	NOV 30/18
25-11-01	2	0 *	NOV 30/18	25-11-03	1A	1 *	NOV 30/18
25-11-01	2	1 *	NOV 30/18	25-11-03	1A	2 *	NOV 30/18
25-11-02	1	0 *	NOV 30/18	25-11-03	1A	3 *	NOV 30/18
25-11-02	1	1 *	NOV 30/18	25-11-03	1B	0 *	NOV 30/18
25-11-02	1A	0 *	NOV 30/18	25-11-03	1B	1 *	NOV 30/18
25-11-02	1A	1 *	NOV 30/18	25-11-03	1B	2 *	NOV 30/18
25-11-02	1C	0 *	NOV 30/18	25-11-03	1B	3 *	NOV 30/18
25-11-02	1C	1 *	NOV 30/18	25-11-03	1C	0 *	NOV 30/18
25-11-02	1D	0 *	NOV 30/18	25-11-03	1C	1 *	NOV 30/18
25-11-02	1D	1 *	NOV 30/18	25-11-03	1C	2 *	NOV 30/18
				25-11-03	1C	3 *	NOV 30/18

* THE ASTERISK INDICATES PAGES CHANGED, ADDED OR DELETED

25 - LIST OF EFFECTIVE PAGES

CH-SECT				CH-SECT			
UNIT-FIG	PAGE		DATE	UNIT-FIG	PAGE		DATE
25-12-00	1	0 *	NOV 30/18	25-13-00	1G	1 *	NOV 30/18
25-12-00	1	1 *	NOV 30/18	25-13-00	1G	2 *	NOV 30/18
25-12-00	1A	0 *	NOV 30/18	25-13-00	1G	3 *	NOV 30/18
25-12-00	1A	1 *	NOV 30/18	25-13-00	1H	0 *	NOV 30/18
25-12-00	1B	0 *	NOV 30/18	25-13-00	1H	1 *	NOV 30/18
25-12-00	1B	1 *	NOV 30/18	25-13-00	1J	0 *	NOV 30/18
25-12-00	1B	2 *	NOV 30/18	25-13-00	1J	1 *	NOV 30/18
25-12-00	1B	3 *	NOV 30/18	25-13-00	1K	0 *	NOV 30/18
25-12-00	1C	0 *	NOV 30/18	25-13-00	1K	1 *	NOV 30/18
25-12-00	1C	1 *	NOV 30/18	25-13-00	1L	0 *	NOV 30/18
25-12-00	1D	0 *	NOV 30/18	25-13-00	1L	1 *	NOV 30/18
25-12-00	1D	1 *	NOV 30/18	25-13-00	1N	0 *	NOV 30/18
25-12-00	1D	2 *	NOV 30/18	25-13-00	1N	1 *	NOV 30/18
25-12-00	1D	3 *	NOV 30/18	25-13-00	2	0 *	NOV 30/18
25-12-00	2	0 *	NOV 30/18	25-13-00	2	1 *	NOV 30/18
25-12-00	2	1 *	NOV 30/18	25-13-00	2A	0 *	NOV 30/18
25-13-00	1	0 *	NOV 30/18	25-13-00	2A	1 *	NOV 30/18
25-13-00	1	1 *	NOV 30/18	25-13-00	2A	2 *	NOV 30/18
25-13-00	1	2 *	NOV 30/18	25-13-00	2A	3 *	NOV 30/18
25-13-00	1	3 *	NOV 30/18	25-14-00	1	0 *	NOV 30/18
25-13-00	1A	0 *	NOV 30/18	25-14-00	1	1 *	NOV 30/18
25-13-00	1A	1 *	NOV 30/18	25-14-00	1	2 *	NOV 30/18
25-13-00	1A	2 *	NOV 30/18	25-14-00	1	3 *	NOV 30/18
25-13-00	1A	3 *	NOV 30/18	25-14-00	1A	0 *	NOV 30/18
25-13-00	1B	0 *	NOV 30/18	25-14-00	1A	1 *	NOV 30/18
25-13-00	1B	1 *	NOV 30/18	25-14-00	1A	2 *	NOV 30/18
25-13-00	1B	2 *	NOV 30/18	25-14-00	1A	3 *	NOV 30/18
25-13-00	1B	3 *	NOV 30/18	25-14-00	1B	0 *	NOV 30/18
25-13-00	1C	0 *	NOV 30/18	25-14-00	1B	1 *	NOV 30/18
25-13-00	1C	1 *	NOV 30/18	25-14-00	1C	0 *	NOV 30/18
25-13-00	1C	2 *	NOV 30/18	25-14-00	1C	1 *	NOV 30/18
25-13-00	1C	3 *	NOV 30/18	25-14-00	1D	0 *	NOV 30/18
25-13-00	1D	0 *	NOV 30/18	25-14-00	1D	1 *	NOV 30/18
25-13-00	1D	1 *	NOV 30/18	25-14-00	1E	0 *	NOV 30/18
25-13-00	1D	2 *	NOV 30/18	25-14-00	1E	1 *	NOV 30/18
25-13-00	1D	3 *	NOV 30/18	25-14-00	1F	0 *	NOV 30/18
25-13-00	1E	0 *	NOV 30/18	25-14-00	1F	1 *	NOV 30/18
25-13-00	1E	1 *	NOV 30/18	25-15-00	1	0 *	NOV 30/18
25-13-00	1E	2 *	NOV 30/18	25-15-00	1	1 *	NOV 30/18
25-13-00	1E	3 *	NOV 30/18	25-15-00	1A	0 *	NOV 30/18
25-13-00	1F	0 *	NOV 30/18	25-15-00	1A	1 *	NOV 30/18
25-13-00	1F	1 *	NOV 30/18	25-15-00	1B	0 *	NOV 30/18
25-13-00	1F	2 *	NOV 30/18	25-15-00	1B	1 *	NOV 30/18
25-13-00	1F	3 *	NOV 30/18	25-15-00	1C	0 *	NOV 30/18
25-13-00	1G	0 *	NOV 30/18	25-15-00	1C	1 *	NOV 30/18

* THE ASTERISK INDICATES PAGES CHANGED, ADDED OR DELETED

25 - LIST OF EFFECTIVE PAGES

PAGE 2

CH-SECT	UNIT-FIG	PAGE	DATE	CH-SECT	UNIT-FIG	PAGE	DATE
25-16-00	1	0 *	NOV 30/18	25-17-00	1	1 *	NOV 30/18
25-16-00	1	1 *	NOV 30/18	25-17-00	1A	0 *	NOV 30/18
25-16-00	1A	0 *	NOV 30/18	25-17-00	1A	1 *	NOV 30/18
25-16-00	1A	1 *	NOV 30/18	25-17-00	1B	0 *	NOV 30/18
25-16-00	1B	0 *	NOV 30/18	25-17-00	1B	1 *	NOV 30/18
25-16-00	1B	1 *	NOV 30/18	25-17-00	1C	0 *	NOV 30/18
25-16-00	1C	0 *	NOV 30/18	25-17-00	1C	1 *	NOV 30/18
25-16-00	1C	1 *	NOV 30/18	25-17-00	1D	0 *	NOV 30/18
25-16-00	1D	0 *	NOV 30/18	25-17-00	1D	1 *	NOV 30/18
25-16-00	1D	1 *	NOV 30/18	25-17-00	1D	2 *	NOV 30/18
25-16-00	1D	2 *	NOV 30/18	25-17-00	1D	3 *	NOV 30/18
25-16-00	1D	3 *	NOV 30/18	25-17-00	2	0 *	NOV 30/18
25-16-00	1E	0 *	NOV 30/18	25-17-00	2	1 *	NOV 30/18
25-16-00	1E	1 *	NOV 30/18	25-17-00	2A	0 *	NOV 30/18
25-16-00	1E	2 *	NOV 30/18	25-17-00	2A	1 *	NOV 30/18
25-16-00	1E	3 *	NOV 30/18	25-17-00	2A	2 *	NOV 30/18
25-16-00	1F	0 *	NOV 30/18	25-17-00	2A	3 *	NOV 30/18
25-16-00	1F	1 *	NOV 30/18	25-17-00	2B	0 *	NOV 30/18
25-16-00	1G	0 *	NOV 30/18	25-17-00	2B	1 *	NOV 30/18
25-16-00	1G	1 *	NOV 30/18	25-17-00	2C	0 *	NOV 30/18
25-16-00	1H	0 *	NOV 30/18	25-17-00	2C	1 *	NOV 30/18
25-16-00	1H	1 *	NOV 30/18	25-17-00	3	0 *	NOV 30/18
25-16-00	1N	0 *	NOV 30/18	25-17-00	3	1 *	NOV 30/18
25-16-00	1N	1 *	NOV 30/18	25-17-00	3A	0 *	NOV 30/18
25-16-00	2	0 *	NOV 30/18	25-17-00	3A	1 *	NOV 30/18
25-16-00	2	1 *	NOV 30/18	25-17-00	3A	2 *	NOV 30/18
25-16-00	2	2 *	NOV 30/18	25-17-00	3A	3 *	NOV 30/18
25-16-00	2	3 *	NOV 30/18	25-17-00	3B	0 *	NOV 30/18
25-16-00	2A	0 *	NOV 30/18	25-17-00	3B	1 *	NOV 30/18
25-16-00	2A	1 *	NOV 30/18	25-17-00	3C	0 *	NOV 30/18
25-16-00	3	0 *	NOV 30/18	25-17-00	3C	1 *	NOV 30/18
25-16-00	3	1 *	NOV 30/18	25-18-00	1	0 *	NOV 30/18
25-16-00	3	2 *	NOV 30/18	25-18-00	1	1 *	NOV 30/18
25-16-00	3	3 *	NOV 30/18	25-18-00	1A	0 *	NOV 30/18
25-16-00	3A	0 *	NOV 30/18	25-18-00	1A	1 *	NOV 30/18
25-16-00	3A	1 *	NOV 30/18	25-18-00	1B	0 *	NOV 30/18
25-16-00	3B	0 *	NOV 30/18	25-18-00	1B	1 *	NOV 30/18
25-16-00	3B	1 *	NOV 30/18	25-18-00	1C	0 *	NOV 30/18
25-16-00	3C	0 *	NOV 30/18	25-18-00	1C	1 *	NOV 30/18
25-16-00	3C	1 *	NOV 30/18	25-18-00	1F	0 *	NOV 30/18
25-16-00	4B	0 *	NOV 30/18	25-18-00	1F	1 *	NOV 30/18
25-16-00	4B	1 *	NOV 30/18	25-18-00	1G	0 *	NOV 30/18
25-16-00	4B	2 *	NOV 30/18	25-18-00	1G	1 *	NOV 30/18
25-16-00	4B	3 *	NOV 30/18	25-18-00	2	0 *	NOV 30/18
25-17-00	1	0 *	NOV 30/18	25-18-00	2	1 *	NOV 30/18

* THE ASTERISK INDICATES PAGES CHANGED, ADDED OR DELETED

25 - LIST OF EFFECTIVE PAGES

PAGE 3

CH-SECT	UNIT-FIG	PAGE		DATE	CH-SECT	UNIT-FIG	PAGE	DATE
25-18-00	2	2	*	NOV 30/18				
25-18-00	2	3	*	NOV 30/18				
25-18-00	2A	0	*	NOV 30/18				
25-18-00	2A	1	*	NOV 30/18				
25-18-00	2A	2	*	NOV 30/18				
25-18-00	2A	3	*	NOV 30/18				
25-19-00	1	0	*	NOV 30/18				
25-19-00	1	1	*	NOV 30/18				
25-19-00	1	2	*	NOV 30/18				
25-19-00	1	3	*	NOV 30/18				
25-19-00	1A	0	*	NOV 30/18				
25-19-00	1A	1	*	NOV 30/18				
25-19-00	2	0	*	NOV 30/18				
25-19-00	2	1	*	NOV 30/18				
25-50-00	1	0	*	NOV 30/18				
25-50-00	1	1	*	NOV 30/18				
25-60-00	1	0	*	NOV 30/18				
25-60-00	1	1	*	NOV 30/18				
25-60-00	1	2	*	NOV 30/18				

* THE ASTERISK INDICATES PAGES CHANGED, ADDED OR DELETED

25 - LIST OF EFFECTIVE PAGES

CHAPTER 25
EQUIPMENT / FURNISHINGS
TABLE OF CONTENTS

SUBJECT	CHAPTER SECTION FIG. SUBJECT	VALIDITY
EQUIPMENT AND FURNISHINGS	25-00	
EQUIPMENT AND FURNISHINGS	25-00-00 1	S/N 1 - 9999

SUBJECT	CHAPTER SECTION FIG. SUBJECT	VALIDITY
FLIGHT COMPARTMENT	25-10	
COCKPIT	25-10-00 1	S/N 1 - 9999
FRONT SEATS ASSEMBLY	25-11-00	
FRONT SEATS ASSEMBLY	25-11-00 1	S/N 1 - 9999
FRONT SEATS	25-11-01 1	STD, S/N 1 - 587
FRONT SEATS	25-11-01 1A	STD S/N 588 - 926
FRONT SEATS	25-11-01 1B	STD S/N 927 - 1721
FRONT SEATS	25-11-01 1C	STD, S/N 1722 - 9999 PRE-MOD. 151
FRONT SEATS	25-11-01 1E	STD, S/N 1 - 9999 POST-MOD. 151
HEAD-REST	25-11-01 2	S/N 1 - 9999 POST-MOD. 151
FRONT SEATS STRUCTURE	25-11-02 1	S/N 1 - 9999
FRONT SEATS STRUCTURE	25-11-02 1A	FRONT SEATS TB10 74902
FRONT SEATS STRUCTURE	25-11-02 1C	FRONT SEATS TB10 74920
FRONT SEATS STRUCTURE	25-11-02 1D	TB10 74030, LATTICE SEATPAN WITH FIXED BACKREST
FRONT SEATS STRUCTURE	25-11-02 1E	TB10 74930, LATTICE SEATPAN WITH RECLINING BACKREST
FRONT SEATS STRUCTURE	25-11-02 1F	TB10 74095, SHEET METAL SEATPAN WITH FIXED BACKREST, LOWER RAIL 14.57 IN (370 MM)
FRONT SEATS STRUCTURE	25-11-02 1G	TB10 74935, SHEET METAL SEATPAN WITH RECLINING BACKREST, LOWER RAIL 14.57 IN (370 MM)
FRONT SEATS STRUCTURE	25-11-02 1H	PRE-MOD10-0247-25, AS SPARES SEE 25-11-02 FIG. 1K
FRONT SEATS STRUCTURE	25-11-02 1J	TB10 74203
FRONT SEATS STRUCTURE	25-11-02 1K	POST-MOD10-0247-25, AS SPARES OF 25-11-02 FIG. 1H

25 - TABLE OF CONTENTS

PAGE 2

NOV 30/18

SUBJECT	CHAPTER SECTION FIG. SUBJECT	VALIDITY
FRONT SEATS STRUCTURE	25-11-02 1N	TB10 74936, SHEET METAL SEATPAN WITH RECLINING BACKREST, LOWER RAIL 12.40 IN (315 MM)
FRONT SEATS MOUNTS	25-11-03 1	FRONT SEATS TB10 74012, TB10 74028, TB10 74030, TB10 74095, TB10 74902, TB10 74920, TB10 74930, TB10 74935
FRONT SEATS MOUNTS	25-11-03 1A	FRONT SEATS TB10 74106, TB10 74936
FRONT SEATS MOUNTS	25-11-03 1B	FRONT SEATS TB09 74011201/301, TB09 74011504/604, TB09 74011506/606, TB09 74011807/907, TB09 74011809/909
FRONT SEATS MOUNTS	25-11-03 1C	FRONT SEATS TB09 74011812, TB09 74011912, TB09 74011813, TB09 74011913, TB09 74011810, TB09 74011910, TB09 74011811, TB09 74011911
REAR BENCH	25-12-00	
REAR BENCH	25-12-00 1	STD, S/N 1 - 100
REAR BENCH	25-12-00 1A	STD S/N 101 - 587
REAR BENCH	25-12-00 1B	STD, S/N 588 - 804
REAR BENCH	25-12-00 1C	STD S/N 805 - 9999 PRE-MOD. 151
REAR BENCH	25-12-00 1D	STD, S/N 1 - 9999 POST-MOD. 151
HEAD-REST	25-12-00 2	S/N 1 - 9999 POST-MOD. 151
SAFETY HARNESSSES AND BELTS	25-13-00	
SAFETY HARNESSSES AND BELTS - FRONT BELTS	25-13-00 1	S/N 1 - 333, PRE-KIT OPT10 920900 (SB10-103-25)

25 - TABLE OF CONTENTS

PAGE 3

SUBJECT	CHAPTER SECTION FIG. SUBJECT	VALIDITY
SAFETY HARNESSES AND BELTS - FRONT BELTS	25-13-00 1A	S/N 1 - 333, POST-KIT OPT10 920900 (SB10-103-25)
SAFETY HARNESSES AND BELTS - FRONT BELTS	25-13-00 1B	S/N 334 - 587, 589 - 599, 601 - 609, PRE-KIT OPT10 920900 (SB10-103-25)
SAFETY HARNESSES AND BELTS - FRONT BELTS	25-13-00 1C	S/N 334 - 587, 589 - 599, 601 - 609, POST-KIT OPT10 920900 (SB10-103-25)
SAFETY HARNESSES AND BELTS - FRONT BELTS	25-13-00 1D	S/N 588, 600, 610 - 966, WITH UPHOLSTERING, PRE-KIT OPT10 920900 (SB10-103-25)
SAFETY HARNESSES AND BELTS - FRONT BELTS	25-13-00 1E	S/N 588, 600, 610 - 966, WITH UPHOLSTERING, POST-KIT OPT10 920900 (SB10-103-25)
SAFETY HARNESSES AND BELTS - FRONT BELTS	25-13-00 1F	S/N 588, 600, 610 - 966, WITHOUT UPHOLSTERING, PRE-KIT OPT10 920900 (SB 10-104-25)
SAFETY HARNESSES AND BELTS - FRONT BELTS	25-13-00 1G	S/N 588, 600, 610 - 966, WITHOUT UPHOLSTERING, POST-KIT OPT10 921000 (SB 10-104-25)
SAFETY HARNESSES AND BELTS - FRONT BELTS	25-13-00 1H	S/N 967 - 1795, 1800, WITH UPHOLSTERING, PRE-KIT OPT10 920900 (SB10-103-25)
SAFETY HARNESSES AND BELTS - FRONT BELTS	25-13-00 1J	S/N 967 - 1795, 1800, WITHOUT UPHOLSTERING, PRE-KIT OPT10 921000 (SB 10-104-25)
SAFETY HARNESSES AND BELTS - FRONT BELTS	25-13-00 1K	S/N 967 - 1795, 1800, WITHOUT UPHOLSTERING, POST-KIT OPT10 921000 (SB 10-104-25) ; S/N 1796 - 1799, 1801 - 9999, WITHOUT UPHOLSTERING, PRE-MOD.

25 - TABLE OF CONTENTS

SUBJECT	CHAPTER SECTION FIG. SUBJECT	VALIDITY
FRONT BELTS	25-13-00 1L	S/N 1 - 9999 POST-MOD. 151
SAFETY HARNESSSES AND BELTS - FRONT BELTS	25-13-00 1N	S/N 967 - 1795, 1800, WITH UPHOLSTERING, POST-KIT OPT10 920900 (SB10-103-25) ; S/N 1796 - 1799, 1801 - 9999, WITH UPHOLSTERING, PRE-MOD. 151
SAFETY HARNESSSES AND BELTS - REAR BELTS	25-13-00 2	STD, S/N 1 - 878, 886, 888, 889, 891 - 894, 897 - 905, 909 - 916, 918, 922 - 924
REAR BELTS	25-13-00 2A	STD, S/N 879 - 885, 887, 890, 895, 896, 906 - 908, 917, 919 - 921, 925 - 9999
CENTRAL PEDESTAL	25-14-00	
CENTRAL PEDESTAL	25-14-00 1	S/N 1 - 587, 589 - 599, 601 - 609, WITH CONSTANT SPEED PROPELLER
CENTRAL PEDESTAL	25-14-00 1A	S/N 1 - 587, 589 - 599, 601 - 609, WITH FIXED-PITCH PROPELLER
CENTRAL PEDESTAL	25-14-00 1B	S/N 588, 600, 610 - 730, WITH CONSTANT SPEED PROPELLER
CENTRAL PEDESTAL	25-14-00 1C	S/N 588, 600, 610 - 730, WITH FIXED-PITCH PROPELLER
CENTRAL PEDESTAL	25-14-00 1D	S/N 731 - 764, 766 - 878, WITH CONSTANT SPEED PROPELLER
CENTRAL PEDESTAL	25-14-00 1E	S/N 731 - 764, 766 - 878, WITH FIXED-PITCH PROPELLER
CENTRAL PEDESTAL	25-14-00 1F	S/N 765, 879 - 9999
DUCT	25-15-00	

25 - TABLE OF CONTENTS

PAGE 5

SUBJECT	CHAPTER SECTION FIG. SUBJECT	VALIDITY
TUNNEL	25-15-00 1	S/N 1 - 587, 589 - 599, 601 - 609
TUNNEL	25-15-00 1A	S/N 588, 600, 610 - 730
TUNNEL	25-15-00 1B	S/N 731 - 764, 766 - 878
TUNNEL	25-15-00 1C	S/N 765, 879 - 9999
PAVILLON	25-16-00	
UPPER DUCT - "BLUE" UPHOLSTERING	25-16-00 1	S/N 1 - 587 BLUE
UPPER DUCT - "BROWN" UPHOLSTERING	25-16-00 1A	S/N 1 - 587 BROWN
UPPER DUCT - "CENDRE" UPHOLSTERING	25-16-00 1B	S/N 589 - 599, 601 - 609, "CENDRE"
UPPER DUCT - "SABLE" UPHOLSTERING	25-16-00 1C	S/N 589 - 599, 601 - 609, "SABLE"
UPPER DUCT - "CENDRE" UPHOLSTERING	25-16-00 1D	S/N 588, 600, 610 - 764, 766 - 878, "CENDRE"
UPPER DUCT - "SABLE" UPHOLSTERING	25-16-00 1E	S/N 588, 600, 610 - 764, 766 - 878, "SABLE"
UPPER DUCT - UPHOLSTERING	25-16-00 1F	S/N 765, 879 - 1762
UPPER DUCT - UPHOLSTERING	25-16-00 1G	S/N 1763 - 9999 PRE-MOD. 151
UPPER DUCT - "BLUE ALCANTARA" UPHOLSTERING	25-16-00 1H	S/N 1 - 9999 POST-MOD. 151, "BLUE ALCANTARA"
UPPER DUCT - "FICELLE ALCANTARA" UPHOLSTERING	25-16-00 1N	S/N 1 - 9999 POST-MOD. 151, "FICELLE ALCANTARA"
UPPER DUCT - UPHOLSTERING ATTACHMENTS	25-16-00 2	S/N 588, 600, 610 - 764, 766 - 878 ; S/N 765, 879 - 9999, OPTIONS, PRE-MOD. 151
UPPER DUCT - UPHOLSTERING ATTACHMENTS	25-16-00 2A	S/N 1 - 9999 POST-MOD. 151
UPPER DUCT - ACCESSORIES	25-16-00 3	S/N 1 - 587, 589 - 599, 601 - 609
UPPER DUCT - ACCESSORIES	25-16-00 3A	S/N 588, 600, 610 - 764, 766 - 878
UPPER DUCT - ACCESSORIES	25-16-00 3B	S/N 765, 879 - 9999, PRE-MOD. 151
UPPER DUCT - ACCESSORIES	25-16-00 3C	S/N 1 - 9999 POST-MOD. 151
UPPER DUCT - SUNVISOR	25-16-00 4B	S/N 1 - 9999 POST-MOD. 151
INSTRUMENT PANEL	25-17-00	

25 - TABLE OF CONTENTS

PAGE 6

SUBJECT	CHAPTER SECTION FIG. SUBJECT	VALIDITY
L.H. INSTRUMENT PANEL UPHOLSTERINGS	25-17-00 1	S/N 1 - 274
L.H. INSTRUMENT PANEL UPHOLSTERINGS	25-17-00 1A	S/N 275 - 587
L.H. INSTRUMENT PANEL UPHOLSTERINGS	25-17-00 1B	S/N 588 - 764, 766 - 878
INSTRUMENT PANEL - L.H. INSTR. PANEL UPHOLSTERINGS	25-17-00 1C	S/N 765, 879 - 1264, 1266, 1268 - 1283, 1285 - 1294, 1297 - 1299
L.H. INSTRUMENT PANEL UPHOLSTERINGS	25-17-00 1D	S/N 1265, 1267, 1284, 1295, 1296, 1300 - 9999
INSTRUMENT PANEL - R.H. INSTRUMENT PANEL UPHOLSTERINGS	25-17-00 2	S/N 1 - 274 WITHOUT R.H. INSTRUMENT PANEL OPTION
R.H. INSTRUMENT PANEL UPHOLSTERINGS	25-17-00 2A	S/N 275 - 587 R.H. SMALL INSTRUMENT PANEL
R.H. INSTRUMENT PANEL UPHOLSTERINGS	25-17-00 2B	S/N 588 - 764, 766 - 878, R.H. SMALL INSTRUMENT PANEL
INSTRUMENT PANEL - R.H. INSTRUMENT PANEL UPHOLSTERINGS	25-17-00 2C	S/N 765, 879 - 9999, WITHOUT R.H. INSTRUMENT PANEL
INST. PANEL - CENTRAL CONSOLE AND STRIP UPHOLS.	25-17-00 3	S/N 1 - 274
INST. PANEL - CENTRAL CONSOLE AND STRIP UPHOLS.	25-17-00 3A	S/N 275 - 587
INST. PANEL - CENTRAL CONSOLE AND STRIP UPHOLS.	25-17-00 3B	S/N 588 - 764, 766 - 878
INST. PANEL - CENTRAL CONSOLE AND STRIP UPHOLS.	25-17-00 3C	S/N 765, 879 - 9999
CABIN	25-18-00	
CABIN - "BLUE" UPHOLSTERING	25-18-00 1	S/N 1 - 587 BLUE
CABIN - "BROWN" UPHOLSTERING	25-18-00 1A	S/N 1 - 587 BROWN
CABIN - UPHOLSTERING	25-18-00 1B	S/N 588 - 764, 766 - 878
CABIN - BLUE UPHOLSTERING	25-18-00 1C	S/N 765, 879 - 9999, PRE-MOD. 151, BLUE
CABIN - "BLUE ALCANTARA" UPHOLSTERING	25-18-00 1F	S/N 1 - 9999 POST-MOD. 151, "BLUE ALCANTARA"
CABIN - "FICELLE ALCANTARA" UPHOLSTERING	25-18-00 1G	S/N 1 - 9999 POST-MOD. 151, "FICELLE ALCANTARA"

25 - TABLE OF CONTENTS

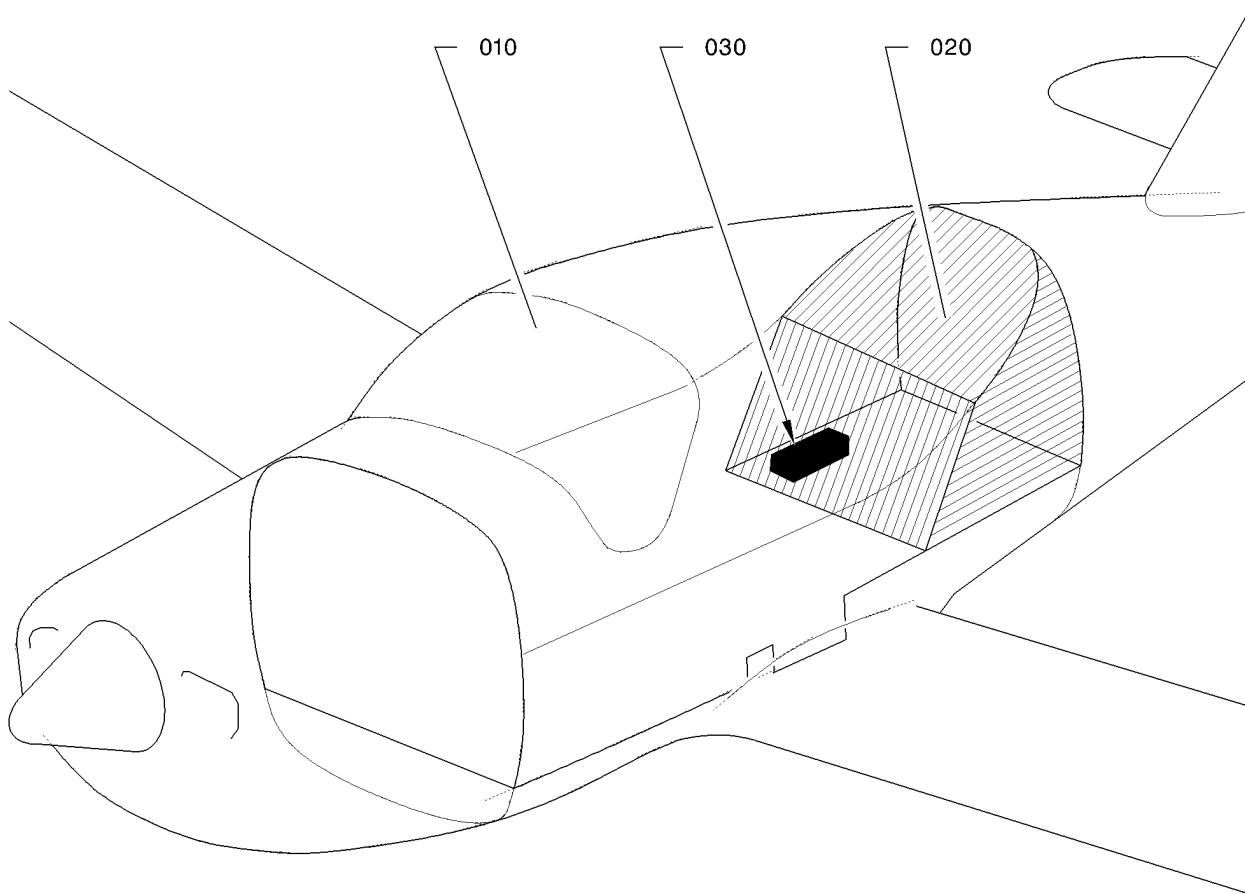
PAGE 7

SUBJECT	CHAPTER SECTION FIG. SUBJECT	VALIDITY
CABIN - GREY UPHOLSTERING	25-18-00 2	S/N 1 - 587, 589 - 599, 601 - 609
CABIN - GREY UPHOLSTERING	25-18-00 2A	S/N 588, 600, 610 - 9999
SOUND-PROOFING	25-19-00	
SOUND-PROOFING - CABIN	25-19-00 1	S/N 1 - 764, 766 - 878
SOUND-PROOFING - CABIN	25-19-00 1A	S/N 765, 879 - 9999
SOUND-PROOFING - FIREWALL	25-19-00 2	S/N 1 - 9999

SUBJECT	CHAPTER SECTION FIG. SUBJECT	VALIDITY
BAGGAGE COMPARTMENT	25-50	
BAGGAGE COMPARTMENT	25-50-00 1	S/N 1 - 9999

SUBJECT	CHAPTER SECTION FIG. SUBJECT	VALIDITY
EMERGENCY EQUIPMENT	25-60	
EMERGENCY EQUIPMENT	25-60-00 1	OPTION

PAGE INTENTIONALLY BLANK



I425000AAA BYZ4300

EQUIPMENT AND FURNISHINGS
FIGURE 1

25-00-00

FIG. 1
PAGE 0 R
NOV 30/18

FIG.ITEM	PART NUMBER	NOMENCLATURE	EFFECT FROM TO	UNITS PER ASSY	OBS
1 - 1 10 20 30	TB25-00-00-01-001 TB25-10-00-01 TB25-50-00-01 TB25-60-00-01	1234567 EQUIPMENT AND FURNISHINGS .COCKPIT .BAGGAGE COMPARTMENT .EMERGENCY EQUIPMENT		RF 1 1 1	R

- ITEM NOT ILLUSTRATED

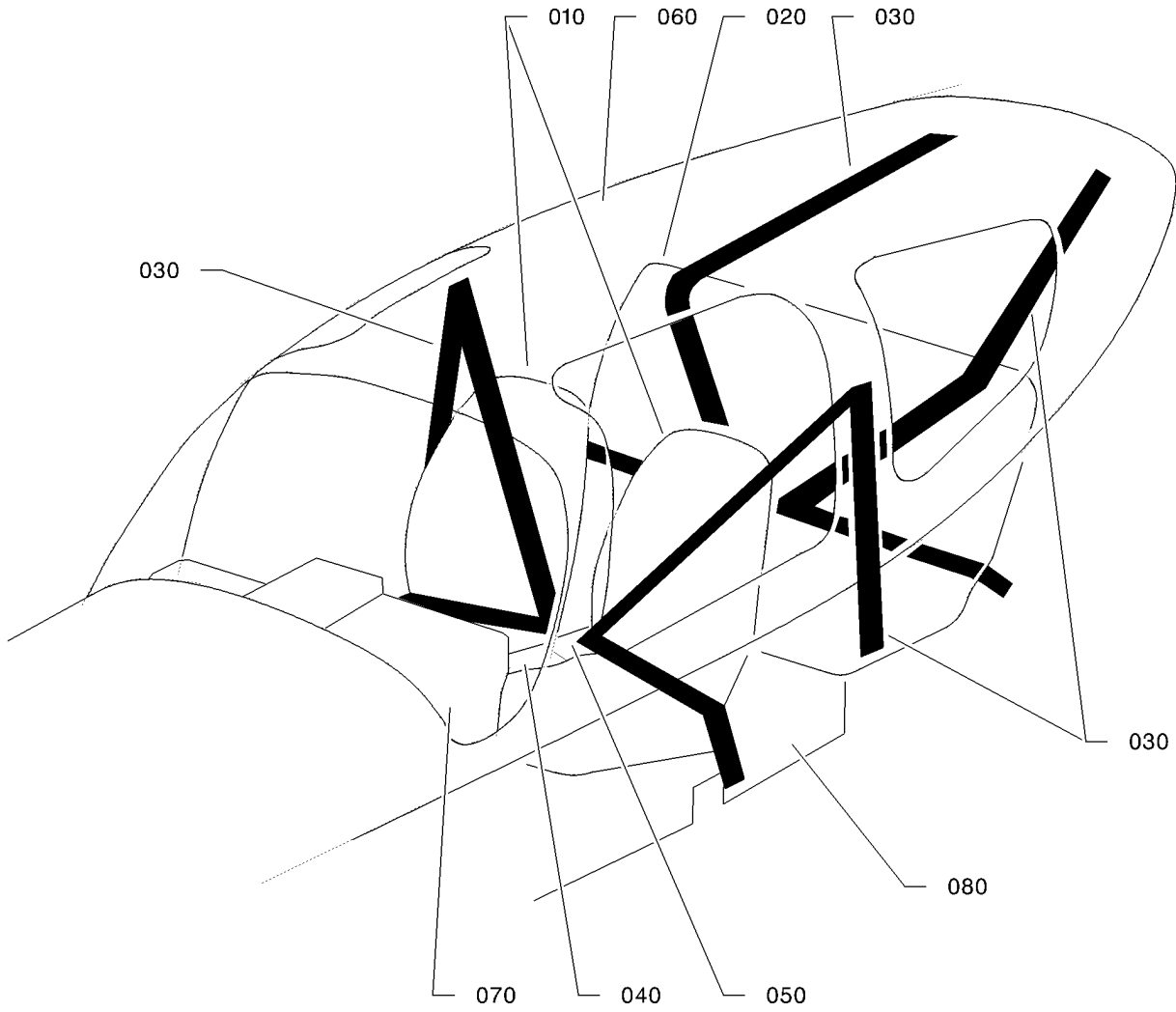
25-00-00

FIG. 1

PAGE 1

NOV 30/18

S/N 1 - 9999



14251000AAAFYZ4300

COCKPIT
FIGURE 1

25-10-00

FIG. 1
PAGE 0 R

NOV 30/18

FIG.ITEM	PART NUMBER	NOMENCLATURE		EFFECT FROM TO	UNITS PER ASSY	OBS
		1234567 				
1 - 1	TB25-10-00-01-001		COCKPIT		RF	
10	TB25-11-00-01		.FRONT SEATS ASSEMBLY		1	
20	TB25-12-00-01		.REAR BENCH		1	
30	TB25-13-00-01		.SAFETY HARNESSSES AND BELTS - FRONT BELTS		1	R
40	TB25-14-00-01		.CENTRAL PEDESTAL		1	
50	TB25-15-00-01		.TUNNEL		1	R
60	TB25-16-00-01		.UPPER DUCT		1	R
70	TB25-17-00-01		.INSTRUMENT PANEL		1	
80	TB25-18-00-01		.CABIN		1	
- 90	TB25-19-00-01		.SOUND-PROOFING		1	
-100	25-10-0PT		.HEADREST		1	R

- ITEM NOT ILLUSTRATED

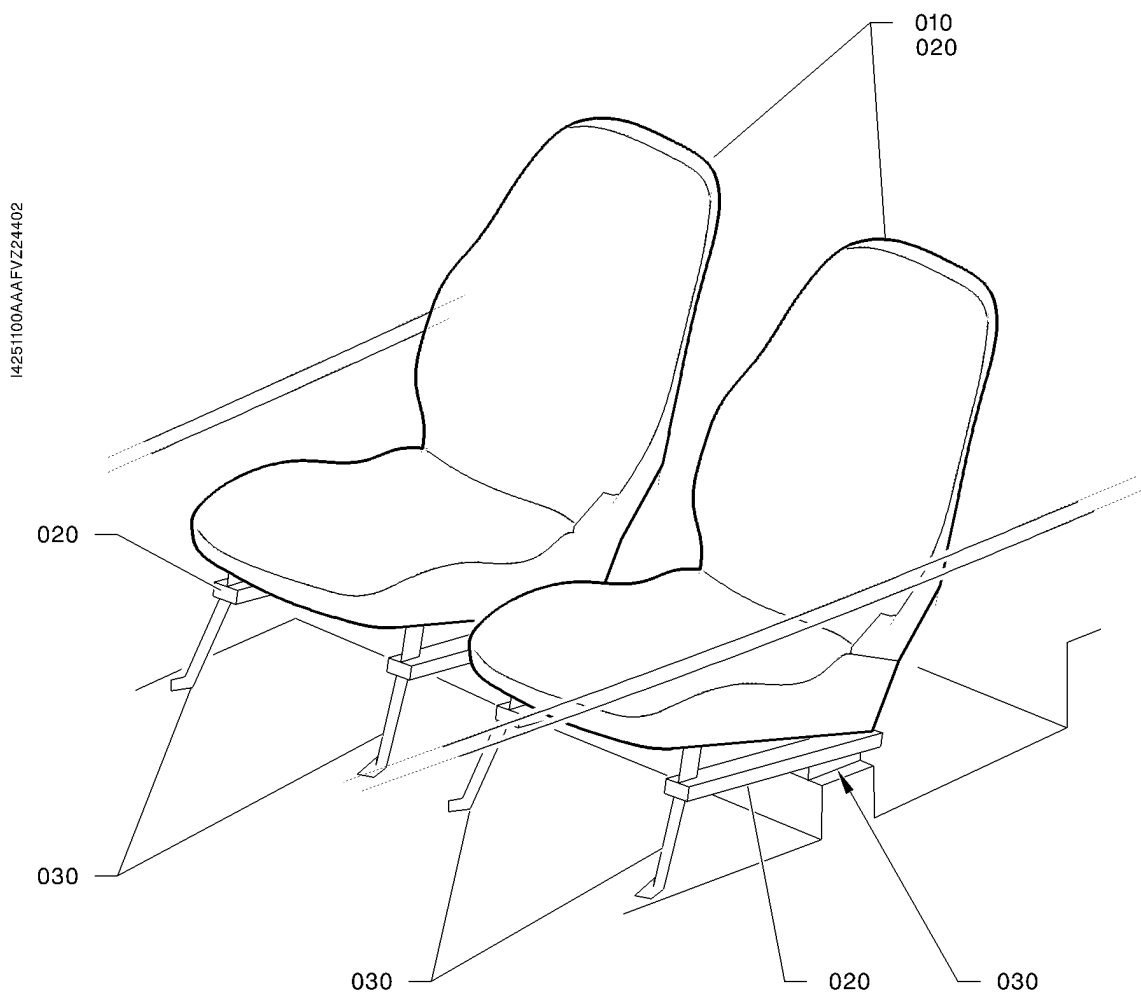
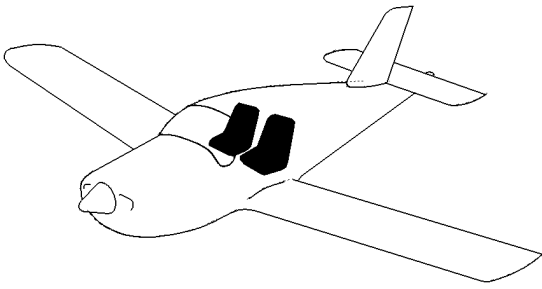
25-10-00

FIG. 1

PAGE 1

NOV 30/18

S/N 1 - 9999



FRONT SEATS ASSEMBLY
FIGURE 1

25-11-00

FIG. 1
PAGE 0 R
NOV 30/18

FIG.ITEM	PART NUMBER	NOMENCLATURE					EFFECT FROM TO	UNITS PER ASSY	OBS
		1	2	3	4	5			
1 - 1	TB25-11-00-01-001	FRONT SEATS ASSEMBLY						RF	
10	TB25-11-01-01	.FRONT SEATS STD						1	
- 10A	25-11-0PT	.FRONT SEATS OPTION						1	
20	TB25-11-02-01	..FRONT SEATS STRUCTURE						1	
30	TB25-11-03-01	.FRONT SEATS MOUNTS						1	

- ITEM NOT ILLUSTRATED

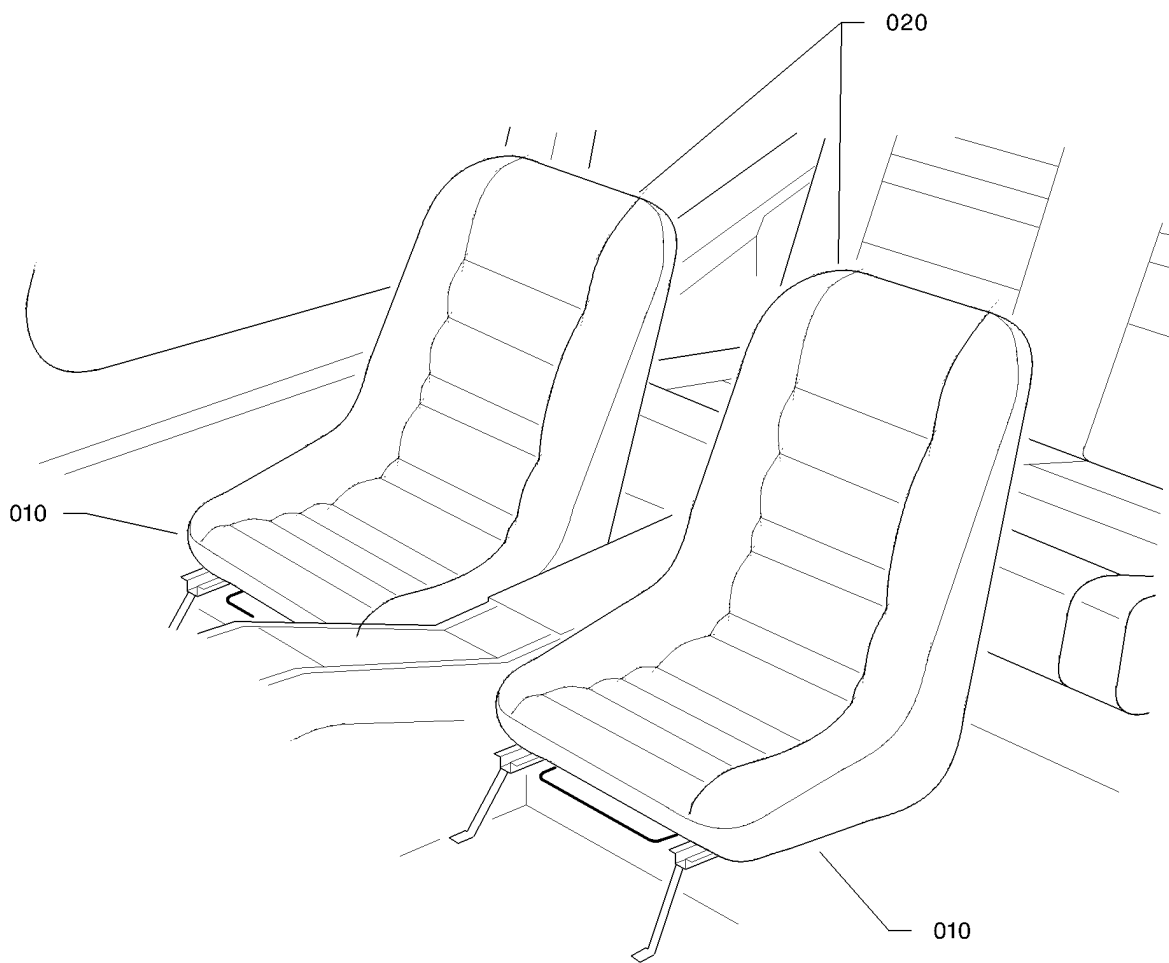
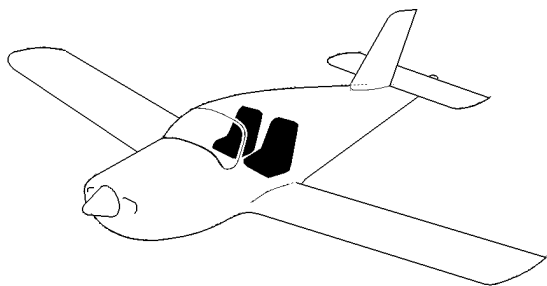
25-11-00

FIG. 1

PAGE 1 R

NOV 30/18

S/N 1 - 9999



14251100AAAGUZ4301

FRONT SEATS
FIGURE 1

25-11-01

FIG. 1
PAGE 0 R
NOV 30/18

FIG.ITEM	PART NUMBER	NOMENCLATURE		EFFECT FROM TO	UNITS PER ASSY	OBS
		1234567 				
1 - 1	TF25-11-01-01-001		FRONT SEATS		RF	
10	TB09 74011201		.SEAT BLUE		2	NP R
- 10A	TB09 74011301		.SEAT BROWN		2	NP R
20	6068157226		.COVER BROWN	VFA5F9	2	OR R
- 20A	6068157227		.COVER BLUE	VFA5F9	2	OR R

- ITEM NOT ILLUSTRATED

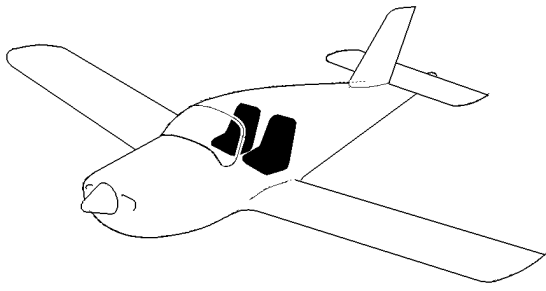
25-11-01

FIG. 1

PAGE 1

NOV 30/18

STD, S/N 1 - 587



M251100AAA G U J Z 4 4 0 1

FRONT SEATS
FIGURE 1A

25-11-01

FIG. 1A
PAGE 0 R

NOV 30/18

FIG.ITEM	PART NUMBER	NOMENCLATURE		EFFECT FROM TO	UNITS PER ASSY	OBS
		1234567 				
1A- 1	TF25-11-01-01A-001		FRONT SEATS		RF	
10	TB09 74011504		.SEAT S/N 588 - 764, 766 - 878, "CENDRE"		2	OR R
- 10A	TB09 74011604		.SEAT S/N 588 - 764, 766 - 878, "SABLE"		2	OR R
- 10B	TB09 74011506		.SEAT S/N 765, 879 - 926, "CENDRE"		2	OR R

- ITEM NOT ILLUSTRATED

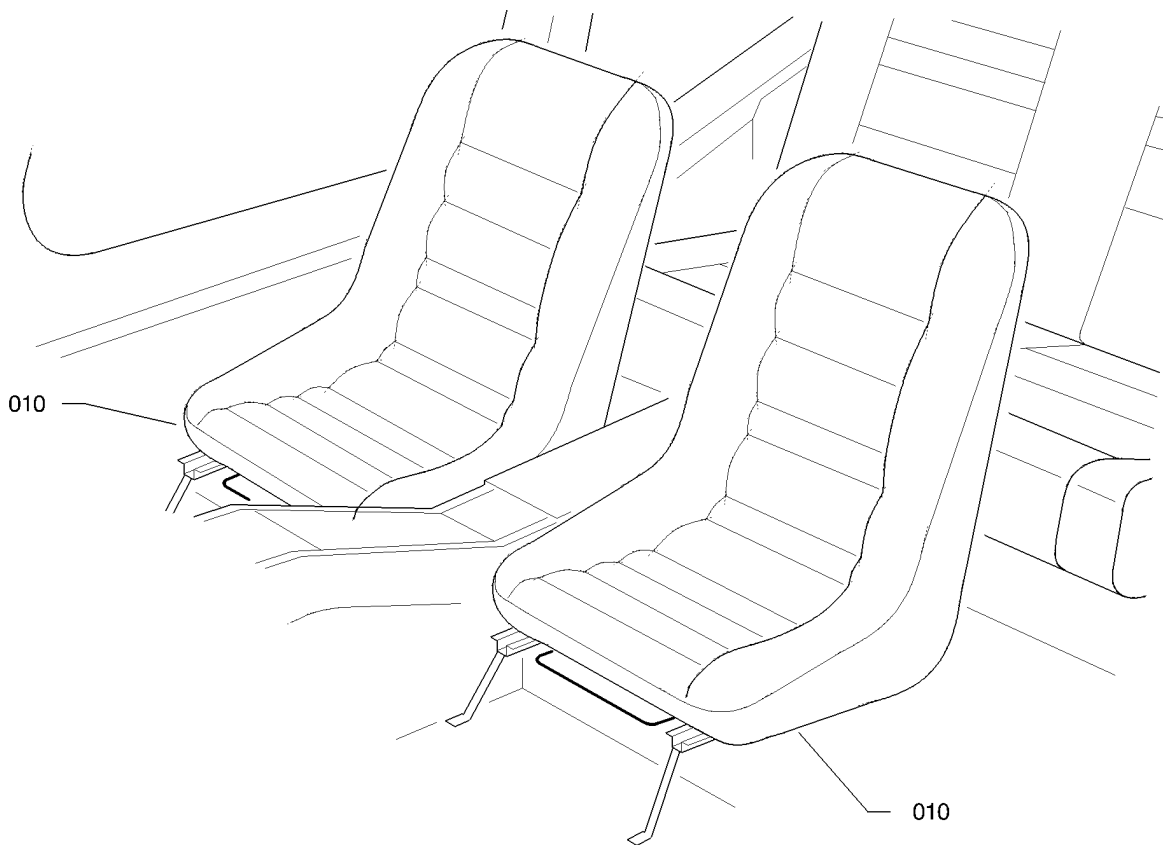
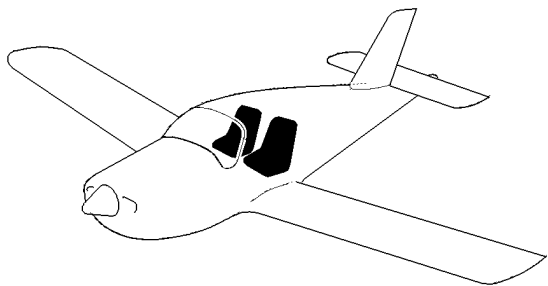
25-11-01

FIG. 1A

PAGE 1

NOV 30/18

STD S/N 588 - 926



M251100AAAAGUJ4401

FRONT SEATS
FIGURE 1B

25-11-01

FIG. 1B
PAGE 0 R
NOV 30/18

FIG. ITEM	PART NUMBER	NOMENCLATURE		EFFECT FROM TO	UNITS PER ASSY	OBS
		1234567 				
1B- 1	TF25-11-01-01B-001		FRONT SEATS		RF	
10	TB09 74011807		.SEAT S/N 927 - 1550 "BLUE ALCANTARA" RPLD BY TB09 74011809		2	OR R
- 10A	TB09 74011907		.SEAT S/N 927 - 1550 "FICELLE ALCANTARA" RPLD BY TB09 74011909		2	OR R
- 10B	TB09 74011809		.BUCKET SEAT S/N 1551 - 1721 "BLUE ALCANTARA" RPLS TB09 74011807 RPLD BY TB09 74011812 OR TB09 74011813 AND KIT OPT10 920800		2	R
- 10C	TB09 74011909		.BUCKET SEAT S/N 1551 - 1721 "FICELLE ALCANTARA" RPLS TB09 74011907 RPLD BY TB09 74011912 OR TB09 74011913 AND KIT OPT10 920800		2	R
- 10D	TB09 74011812		.L.H. BUCKET SEAT S/N 1551 - 1721 "BLUE ALCANTARA"		1	R
- 10E	TB09 74011813		.R.H. BUCKET SEAT S/N 1551 - 1721 "BLUE ALCANTARA"		1	R
- 10F	TB09 74011912		.L.H. BUCKET SEAT S/N 1551 - 1721 "FICELLE ALCANTARA"		1	R
- 10G	TB09 74011913		.R.H. BUCKET SEAT S/N 1551 - 1721 "FICELLE ALCANTARA"		1	R

- ITEM NOT ILLUSTRATED

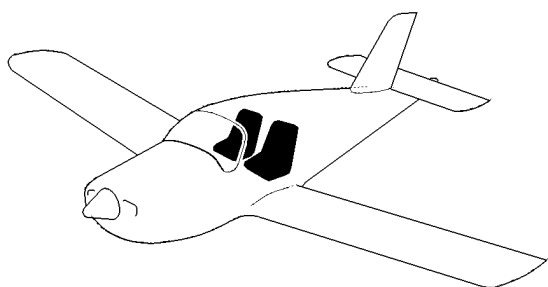
25-11-01

FIG. 1B

PAGE 1

NOV 30/18

STD S/N 927 - 1721



I425100AAAAGUZ4501

FRONT SEATS
FIGURE 1C

25-11-01

FIG. 1C
PAGE 0 R
NOV 30/18

FIG.ITEM	PART NUMBER	1234567 	NOMENCLATURE	EFFECT FROM TO	UNITS PER ASSY	OBS
1C- 1	TF25-11-01-01C-001		FRONT SEATS		RF	
10	TB09 74011810		.L.H. BUCKET SEAT BLUE, MODEL 95		1	
- 10A	TB09 74011910		.L.H. BUCKET SEAT "FICELLE", MODEL 95		1	R
20	TB09 74011811		.R.H. BUCKET SEAT BLUE, MODEL 95		1	
- 20A	TB09 74011911		.R.H. BUCKET SEAT "FICELLE", MODEL 95		1	R

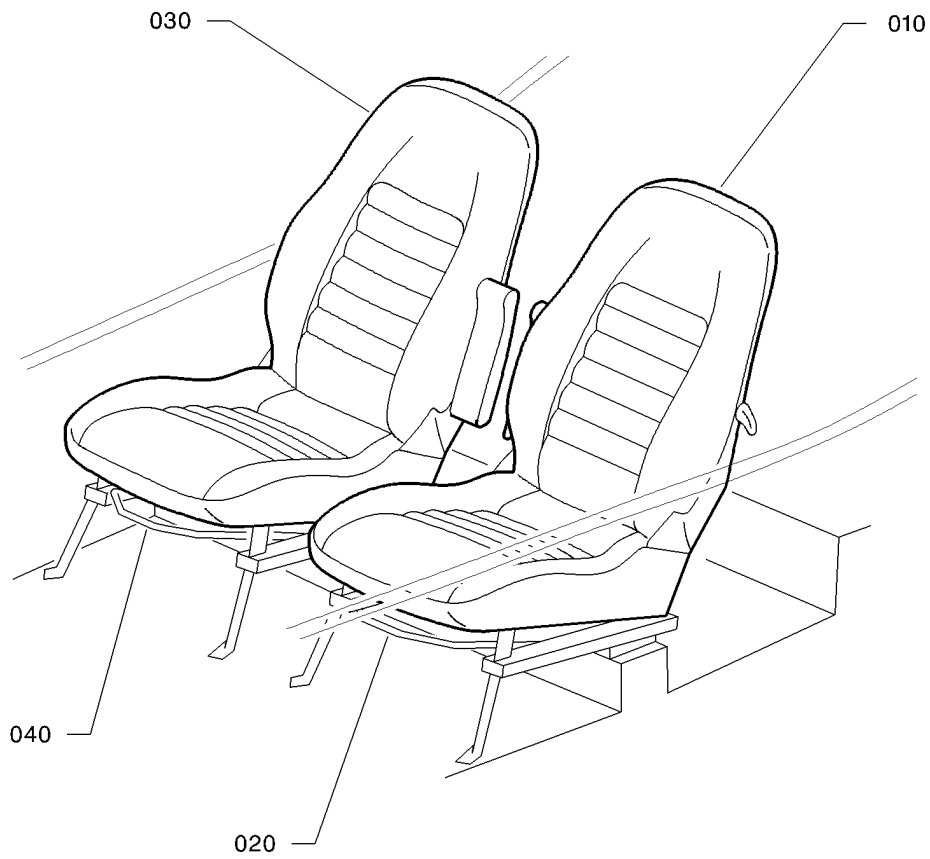
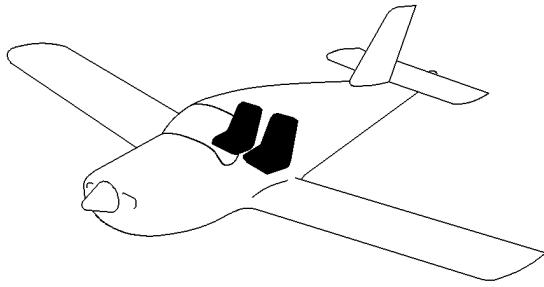
- ITEM NOT ILLUSTRATED

25-11-01

FIG. 1C

PAGE 1

NOV 30/18



14251100AAAFVZ4402

FRONT SEATS
FIGURE 1E

25-11-01

FIG. 1E

PAGE 0 R

NOV 30/18

FIG.ITEM	PART NUMBER	NOMENCLATURE		EFFECT FROM TO	UNITS PER ASSY	OBS
		1234567 				
1E- 1	TF25-11-01-01E-001		FRONT SEATS		RF	
10	TB10 7420300130		.L.H. SEAT BLUE		1	
- 10A	TB10 7420300120		.L.H. SEAT "FICELLE"		1	R
- 15	TB10 7420300630		..L.H. SEAT WITHOUT ARM REST BLUE		1	
- 15A	TB10 7420300620		..L.H. SEAT WITHOUT ARM REST "FICELLE"		1	R
- 16	TB10 7420311030		..L.H. ARM REST BLUE		1	
- 16A	TB10 7420311020		..L.H. ARM REST "FICELLE"		1	R
20	TB25-11-02-01		..FRONT SEATS STRUCTURE		RF	R
30	TB10 7420300230		.R.H. SEAT BLUE		1	
- 30A	TB10 7420300220		.R.H. SEAT "FICELLE"		1	R
- 35	TB10 7420300730		..R.H. SEAT WITHOUT ARM REST BLUE		1	
- 35A	TB10 7420300720		..R.H. SEAT WITHOUT ARM REST "FICELLE"		1	R
- 36	TB10 7420311130		..R.H. ARM REST BLUE		1	
- 36A	TB10 7420311120		..R.H. ARM REST "FICELLE"		1	R
40	TB25-11-02-01		..FRONT SEATS STRUCTURE		RF	R

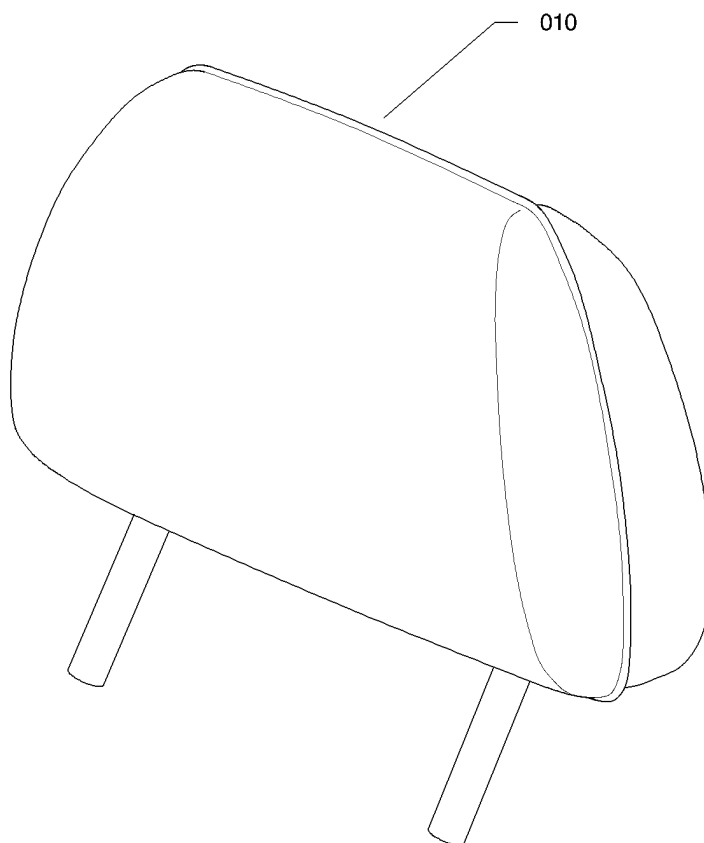
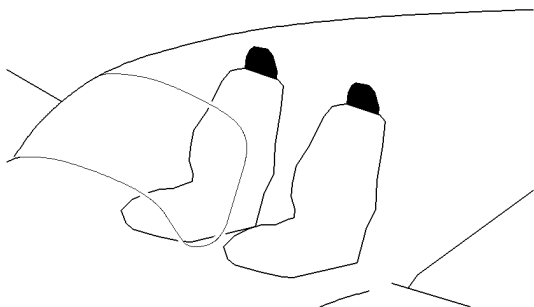
- ITEM NOT ILLUSTRATED

25-11-01

FIG. 1E

PAGE 1

NOV 30/18



I4251100AAAEVZ4501

HEAD-REST
FIGURE 2

25-11-01

FIG. 2
PAGE 0 R

NOV 30/18

FIG.ITEM	PART NUMBER	NOMENCLATURE	EFFECT FROM TO	UNITS PER ASSY	OBS
2 - 1 10	TF25-11-01-02-001 TB10 74936812	1234567 HEAD-REST .HEADREST BLUE		RF 2	
- 10A	TB10 74936912	.HEADREST "FICELLE"		2	R

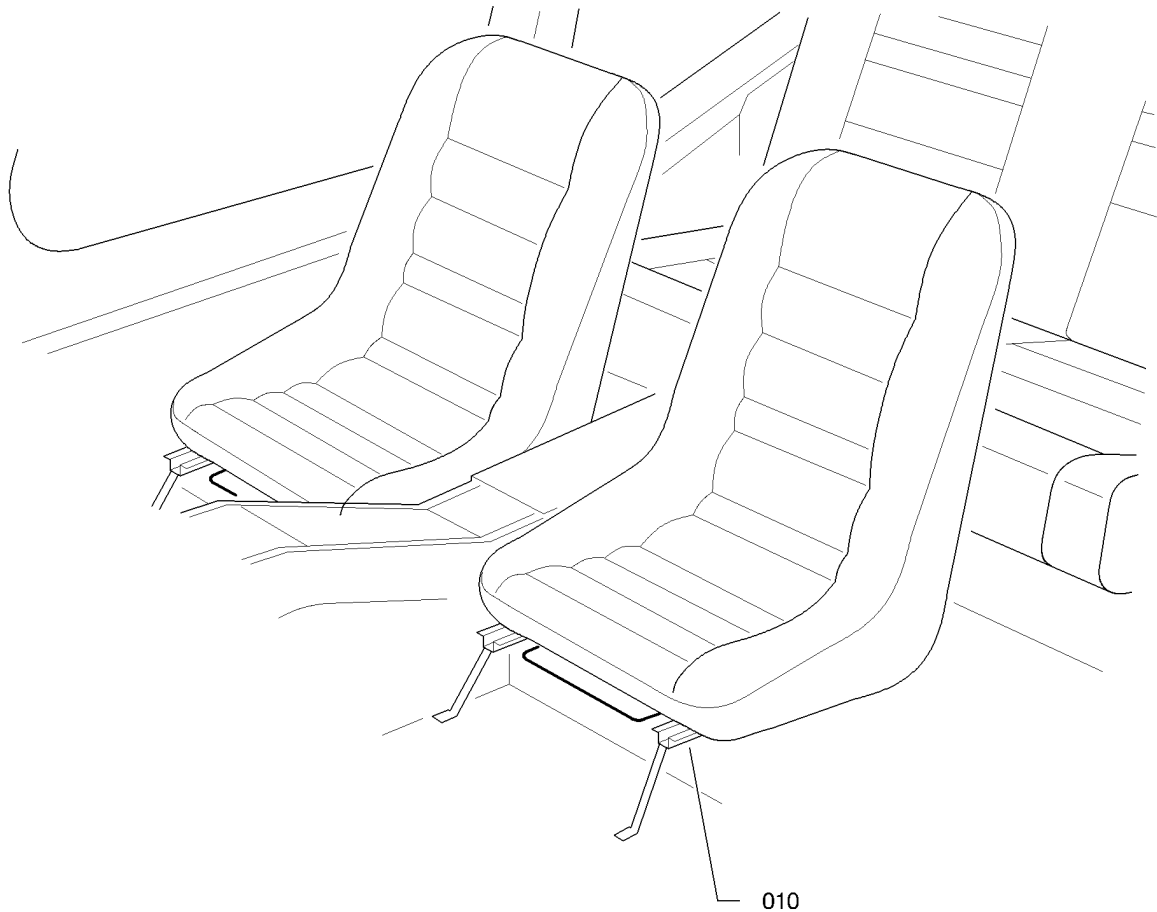
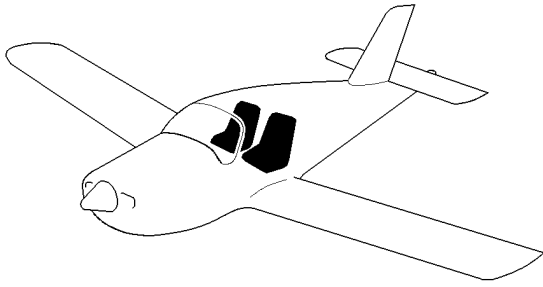
- ITEM NOT ILLUSTRATED

25-11-01

FIG. 2

PAGE 1

NOV 30/18



I425T100AAA G U Z 14401

FRONT SEATS STRUCTURE
FIGURE 1

25-11-02

FIG. 1
PAGE 0 R

NOV 30/18

FIG.ITEM	PART NUMBER	NOMENCLATURE	EFFECT FROM TO	UNITS PER ASSY	OBS
1 - 1 10	TF25-11-02-01-001 TB09 7470100000	<div style="text-align: center;"> 1234567 </div> FRONT SEATS STRUCTURE .RAILS ASSY		RF 1	

- ITEM NOT ILLUSTRATED

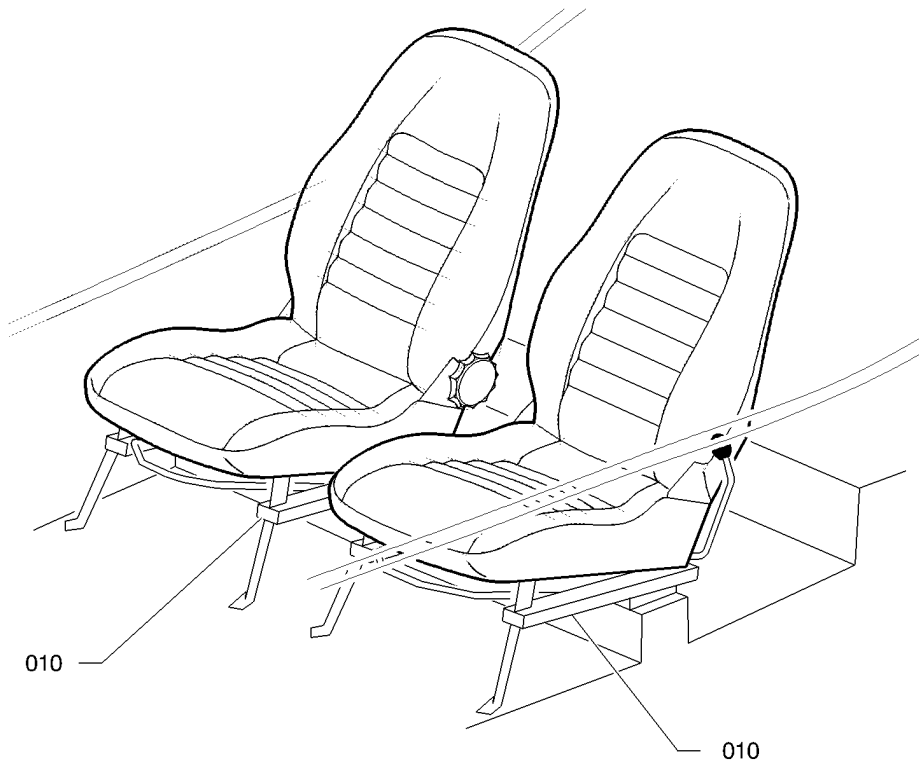
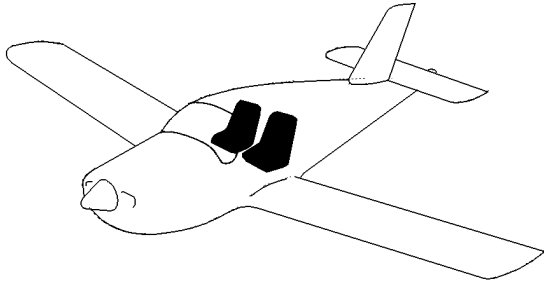
25-11-02

FIG. 1

PAGE 1 R

NOV 30/18

S/N 1 - 9999



I4251100AAAFVZ4501

FRONT SEATS STRUCTURE
FIGURE 1A

FIG.ITEM	PART NUMBER	NOMENCLATURE	EFFECT FROM TO	UNITS PER ASSY	OBS
1A- 1 10	TB25-11-02-01A-001 7322011121	<div style="text-align: center;"> 1234567 </div> FRONT SEATS STRUCTURE .SLIDE		RF 4	

- ITEM NOT ILLUSTRATED

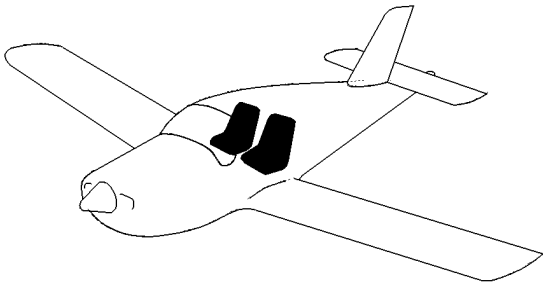
25-11-02

FIG. 1A

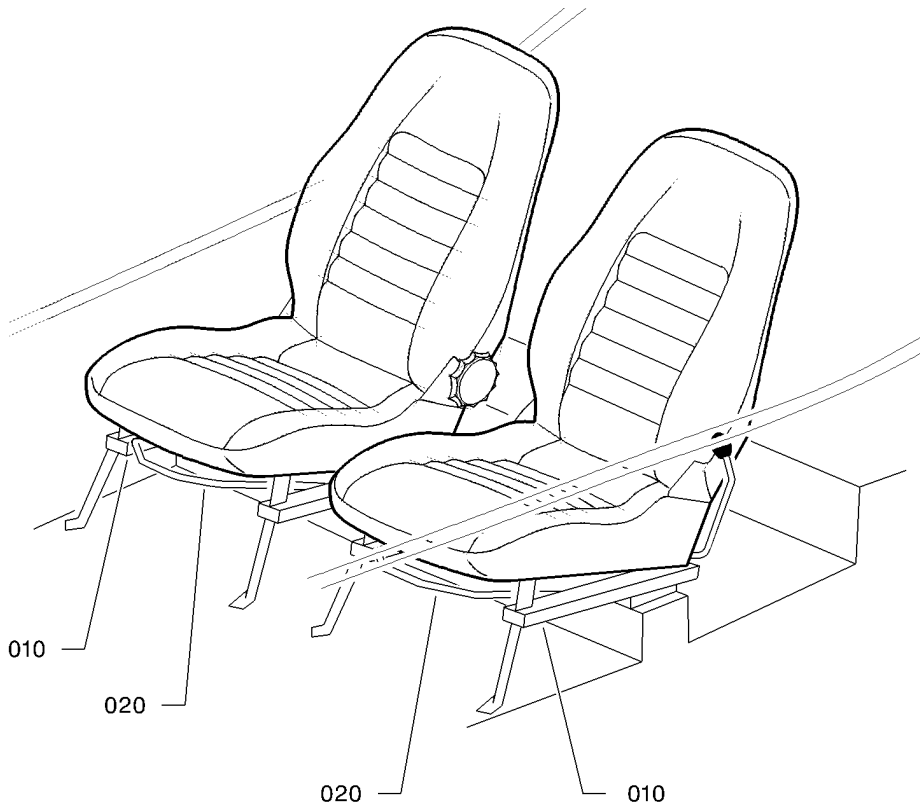
PAGE 1 R

NOV 30/18

FRONT SEATS TB10 74902



I4251100AAAFVZ14801



FRONT SEATS STRUCTURE
FIGURE 1C

FIG.ITEM	PART NUMBER	NOMENCLATURE	EFFECT FROM TO	UNITS PER ASSY	OBS
1C- 1 10 20	TB25-11-02-01C-001 7322011121 7245010000	<div style="text-align: center;">1234567 </div> FRONT SEATS STRUCTURE .SLIDE .ADJUSTMENT HANDLE VFA5F9 OPT TO 121-38-00-00M MADE BY VFA5F9		RF 4 2	

- ITEM NOT ILLUSTRATED

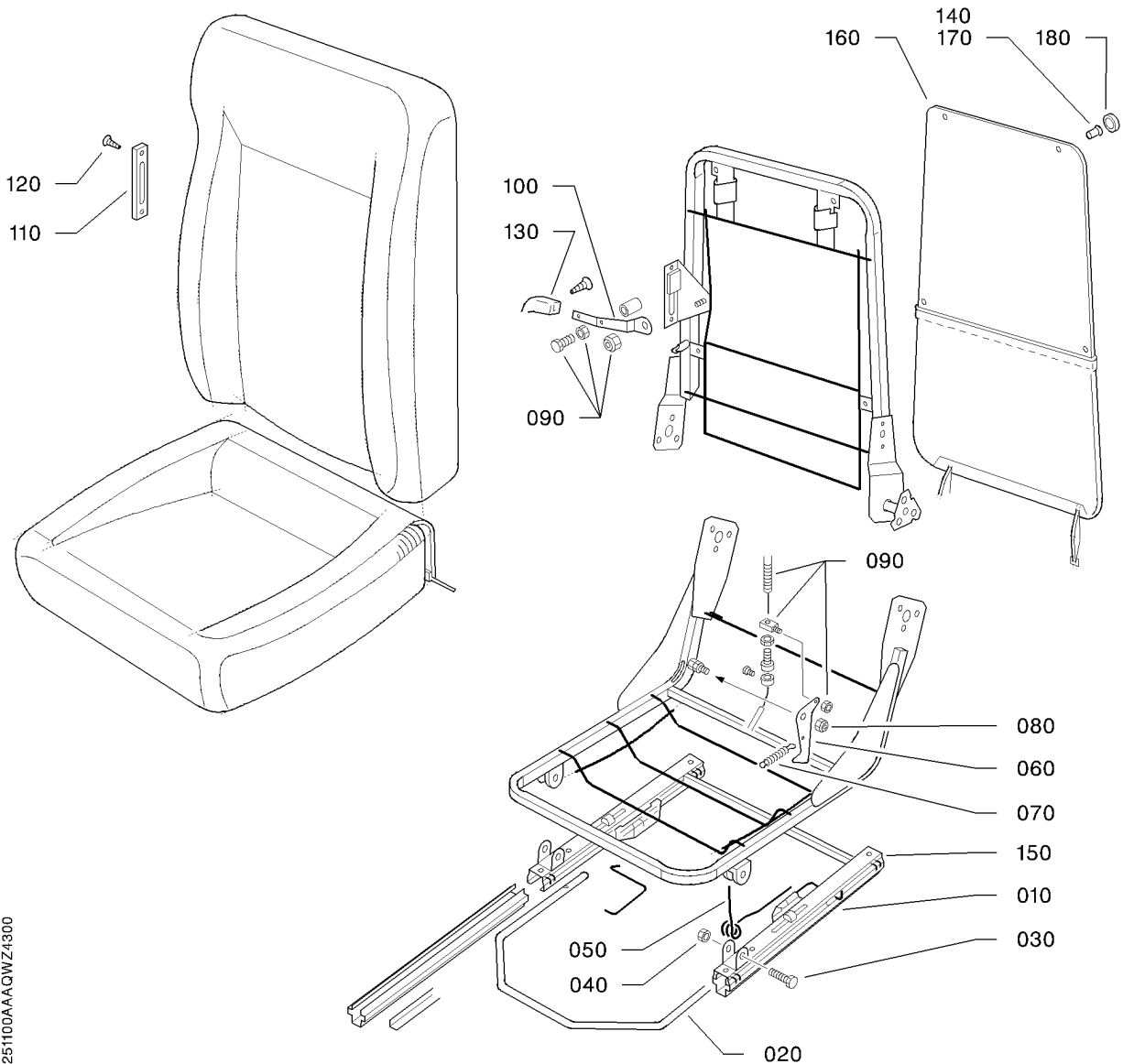
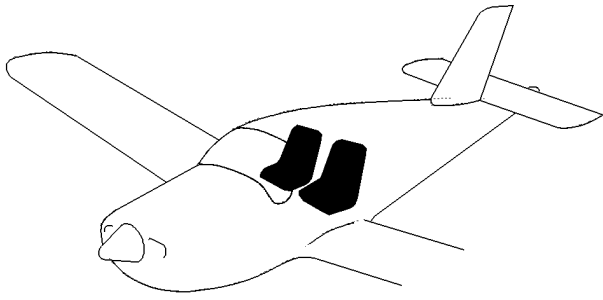
25-11-02

FIG. 1C

PAGE 1 R

NOV 30/18

FRONT SEATS TB10 74920



14251100AAAQWZ4300

FRONT SEATS STRUCTURE
FIGURE 1D

25-11-02

FIG. 1D

PAGE 0 R

NOV 30/18

FIG.ITEM	PART NUMBER	NOMENCLATURE		EFFECT FROM TO	UNITS PER ASSY	OBS
		1234567 				
1D- 1	TB25-11-02-01D-001		FRONT SEATS STRUCTURE		RF	
10	7322121121		.SLIDE VFA5F9 OPT TO 121360011-21 MADE BY VFA5F9 RPLD BY TB10 7470000000		2	NP
20	6068157243		.ADJUSTMENT HANDLE VFA5F9 OPT TO 1MEC03 MADE BY VFA5F9 PRE-KIT TB10 7470000000		1	
- 20A	TB10 9601310050		.ADJUSTMENT HANDLE POST-KIT TB10 7470000000		1	
30	5101229527		.BOLT		2	
40	5401458376		.NUT OPT TO E25412B80QQVAL MADE BY VF0110		2	R
50	7734010007		.RETRACTION SPRING VFA5F9 OPT TO 1MEC07 MADE BY VFA5F9		2	
60	7160010085		.TILTING HOOK VFA5F9 OPT TO 1MEC25 MADE BY VFA5F9		1	
70	7734010024		.TILTING SPRING VFA5F9 OPT TO 1MEC24 MADE BY VFA5F9		1	
80	7228010009		.NUT VFA5F9 OPT TO HF28ADL 1VIS09 MADE BY VFA5F9		1	
90	6068157244		.TILTING CONTROL VFA5F9 OPT TO 1MEC23 MADE BY VFA5F9		1	
100	7456010026		.TILTING LEVER VFA5F9 OPT TO 1MEC26 MADE BY VFA5F9		1	
110	7687010005		.PROTECTIVE PLATE VFA5F9 OPT TO 1PLA05 MADE BY VFA5F9		1	
120	7907010006		.PROTECTIVE PLATE ATTACHING VFA5F9 SCREW OPT TO 1VIS06 MADE BY VFA5F9		2	
130	7083010004		.LOCK CONTROL KNOB VFA5F9 OPT TO 1PLA04 MADE BY VFA5F9		1	
140	7743010007		.WASHER FOR RIVET		AR	
150	6068157249		.RUBBER PLATE SET VFA5F9 OPT TO 1PLA07 MADE BY VFA5F9		1	
160	6068157250		.BACK SHELL VFA5F9 OPT TO 1PEC06 MADE BY VFA5F9 BLUE		1	
-160A	6068157251		.BACK SHELL VFA5F9 OPT TO 1PEC06 MADE BY VFA5F9 "FICELLE"		1	R
170	7755010000		.BACKREST REAR ATTACHING RIVET		AR	
180	7110010001		.RIVET COVER VFA5F9 OPT TO 1RIV01 MADE BY VFA5F9		AR	

- ITEM NOT ILLUSTRATED

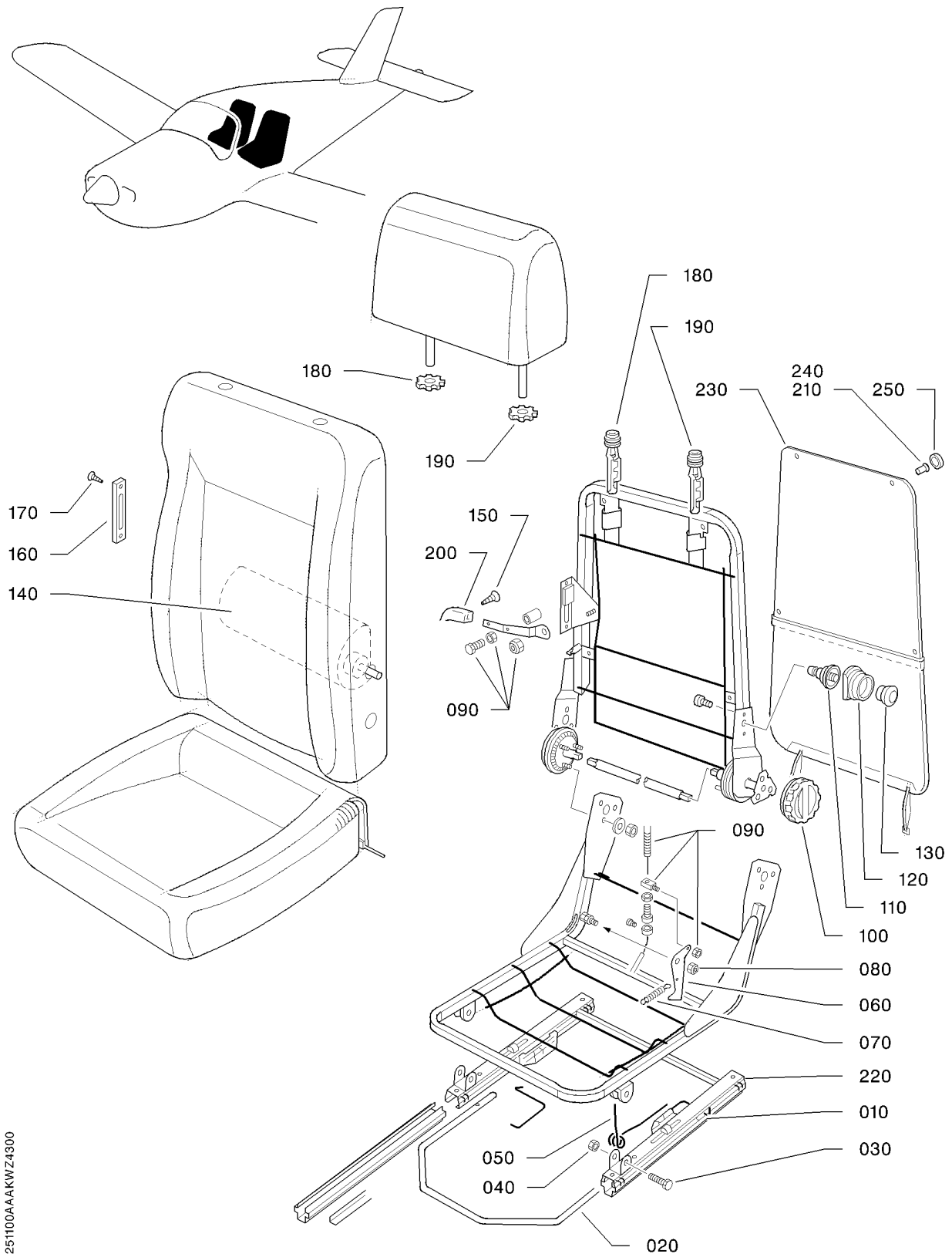
25-11-02

FIG. 1D

PAGE 1

NOV 30/18

TB10 74030, LATTICE SEATPAN WITH FIXED BACKREST



14251100AAA KKWZ4300

FRONT SEATS STRUCTURE
FIGURE 1E

25-11-02

FIG. 1E

PAGE 0 R

NOV 30/18

FIG.ITEM	PART NUMBER	NOMENCLATURE		EFFECT FROM TO	UNITS PER ASSY	OBS
		1234567 				
1E- 1	TB25-11-02-01E-001		FRONT SEATS STRUCTURE		RF	
10	7322121121		.SLIDE VFA5F9 OPT TO 121360011-21 MADE BY VFA5F9 RPLD BY TB10 7470000000		2	NP
20	6068157243		.ADJUSTMENT HANDLE VFA5F9 OPT TO 1MEC03 MADE BY VFA5F9 PRE-KIT TB10 7470000000		1	
- 20A	TB10 9601310050		.ADJUSTMENT HANDLE POST-KIT TB10 7470000000		1	
30	5101229527		.BOLT		2	
40	5401458376		.NUT OPT TO E25412B80QQVAL MADE BY VF0110		2	R
50	7734010007		.RETRACTION SPRING VFA5F9 OPT TO 1MEC07 MADE BY VFA5F9		2	
60	7160010085		.TILTING HOOK VFA5F9 OPT TO 1MEC25 MADE BY VFA5F9		1	
70	7734010024		.TILTING SPRING VFA5F9 OPT TO 1MEC24 MADE BY VFA5F9		1	
80	7228010009		.NUT VFA5F9 OPT TO HF28ADL 1VIS09 MADE BY VFA5F9		1	
90	6068157244		.TILTING CONTROL VFA5F9 OPT TO 1MEC23 MADE BY VFA5F9		1	
100	7083010001		.BACKREST RECLINE KNURLED VFA5F9 CONTROL KNOB OPT TO 1PLA01 MADE BY VFA5F9		1	
110	7886010003		.VALVE VFA5F9 OPT TO 1CAR03 MADE BY VFA5F9		1	
120	6068157245		.BUTTON FITTING VFA5F9 OPT TO 1CAR01 MADE BY VFA5F9		1	
130	7083010002		.BUTTON VFA5F9 OPT TO CARV PUSH 1CAR02 MADE BY VFA5F9		1	
140	6068157246		.LUMBAR CUSHION		1	
150	7456010026		.TILTING LEVER VFA5F9 OPT TO 1MEC26 MADE BY VFA5F9		1	
160	7687010005		.PROTECTIVE PLATE VFA5F9 OPT TO 1PLA05 MADE BY VFA5F9		1	
170	7907010006		.PROTECTIVE PLATE ATTACHING VFA5F9 SCREW OPT TO 1VIS06 MADE BY VFA5F9		2	
-175	6068157228		.HEADREST GUIDE KIT		1	
180	6068157247		..FIXED HEADREST GUIDE OPT TO 1PLA02 MADE BY VFA5F9		1	R

- ITEM NOT ILLUSTRATED

25-11-02

FIG. 1E

PAGE 1

NOV 30/18

FIG. ITEM	PART NUMBER	NOMENCLATURE		EFFECT FROM TO	UNITS PER ASSY	OBS
		1234567 				
1E 190	6068157248	.	.MOVABLE HEADREST GUIDE OPT TO 1PLA03 MADE BY VFA5F9		1	R
200	7083010004	.	.LOCK CONTROL KNOB VFA5F9 OPT TO 1PLA04 MADE BY VFA5F9		1	
210	7743010007	.	.WASHER FOR RIVET		AR	
220	6068157249	.	.RUBBER PLATE SET VFA5F9 OPT TO 1PLA07 MADE BY VFA5F9		1	
230	6068157250	.	.BACK SHELL VFA5F9 OPT TO 1PEC06 MADE BY VFA5F9 BLUE		1	
-230A	6068157251	.	.BACK SHELL VFA5F9 OPT TO 1PEC06 MADE BY VFA5F9 "FICELLE"		1	R
240	7755010000	.	.BACKREST REAR ATTACHING RIVET		AR	
250	7110010001	.	.RIVET COVER VFA5F9 OPT TO 1RIV01 MADE BY VFA5F9		AR	

- ITEM NOT ILLUSTRATED

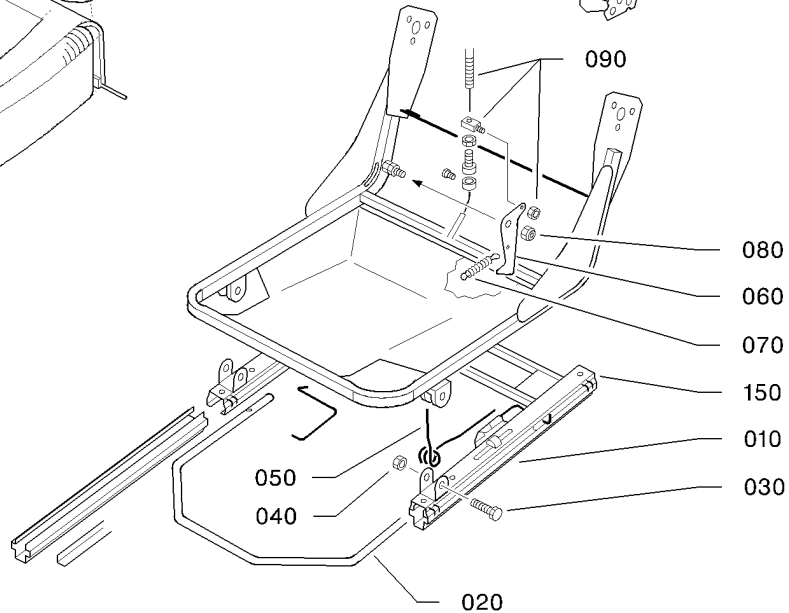
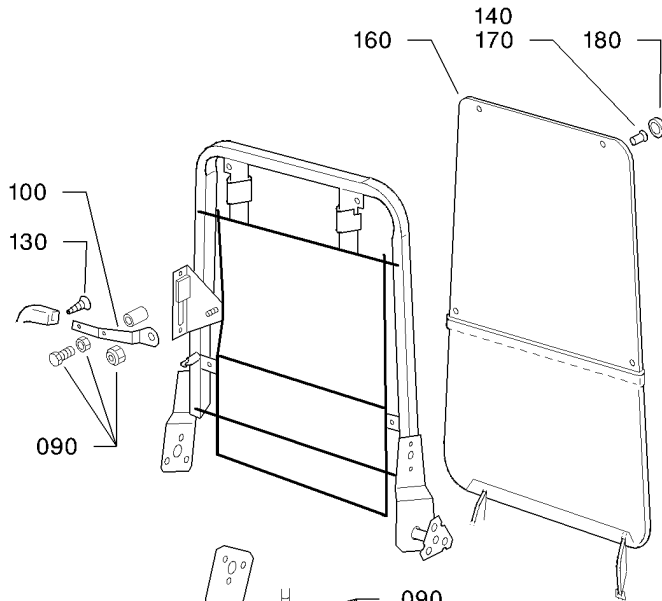
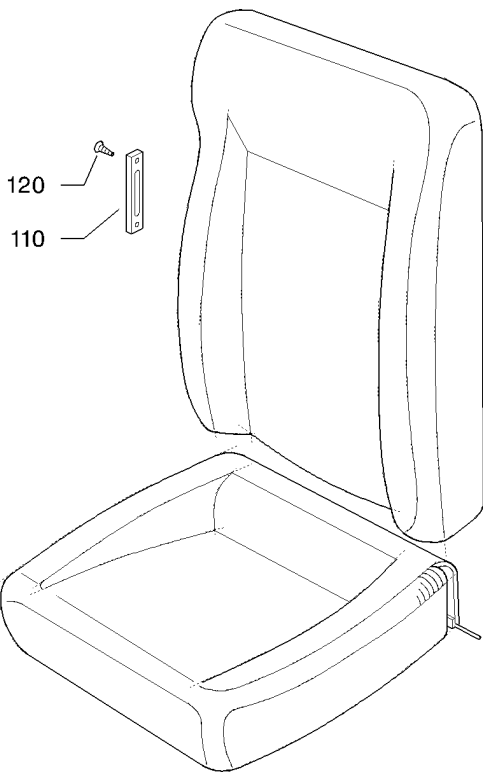
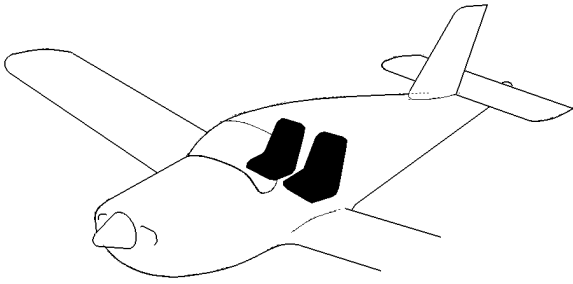
25-11-02

FIG. 1E

PAGE 2

NOV 30/18

PAGE INTENTIONALLY BLANK



14251100AARWZ4301

FRONT SEATS STRUCTURE
FIGURE 1F

25-11-02

FIG. 1F

PAGE 0 R

NOV 30/18

FIG.ITEM	PART NUMBER	1234567 	NOMENCLATURE	EFFECT FROM TO	UNITS PER ASSY	OBS
1F- 1	TB25-11-02-01F-001		FRONT SEATS STRUCTURE		RF	
10	7322010021		.SET OF SLIDES VFA5F9 OPT TO 1MEC21 MADE BY VFA5F9 RPLD BY TB10 7470000000		2	NP R
20	6068157242		.ADJUSTMENT HANDLE VFA5F9 OPT TO 1MEC22 MADE BY VFA5F9 PRE-KIT TB10 7470000000		1	
- 20A	TB10 9601310050		.ADJUSTMENT HANDLE POST-KIT TB10 7470000000		1	
30	5101229527		.BOLT		2	
40	5401458376		.NUT OPT TO E25412B80QQVAL MADE BY VF0110		2	R
50	7734010007		.RETRACTION SPRING VFA5F9 OPT TO 1MEC07 MADE BY VFA5F9		2	
60	7160010085		.TILTING HOOK VFA5F9 OPT TO 1MEC25 MADE BY VFA5F9		1	
70	7734010024		.TILTING SPRING VFA5F9 OPT TO 1MEC24 MADE BY VFA5F9		1	
80	7228010009		.NUT VFA5F9 OPT TO HF28ADL 1VIS09 MADE BY VFA5F9		1	
90	6068157244		.TILTING CONTROL VFA5F9 OPT TO 1MEC23 MADE BY VFA5F9		1	
100	7456010026		.TILTING LEVER VFA5F9 OPT TO 1MEC26 MADE BY VFA5F9		1	
110	7687010005		.PROTECTIVE PLATE VFA5F9 OPT TO 1PLA05 MADE BY VFA5F9		1	
120	7907010006		.PROTECTIVE PLATE ATTACHING SCREW VFA5F9 OPT TO 1VIS06 MADE BY VFA5F9		2	
130	7083010004		.LOCK CONTROL KNOB VFA5F9 OPT TO 1PLA04 MADE BY VFA5F9		1	
140	7743010007		.WASHER FOR RIVET		AR	
150	6068157249		.RUBBER PLATE SET VFA5F9 OPT TO 1PLA07 MADE BY VFA5F9		1	
160	6068157250		.BACK SHELL VFA5F9 OPT TO 1PEC06 MADE BY VFA5F9 BLUE		1	
-160A	6068157251		.BACK SHELL VFA5F9 OPT TO 1PEC06 MADE BY VFA5F9 "FICELLE"		1	R
170	7755010000		.BACKREST REAR ATTACHING RIVET		AR	
180	7110010001		.RIVET COVER VFA5F9 OPT TO 1RIV01 MADE BY VFA5F9		AR	

- ITEM NOT ILLUSTRATED

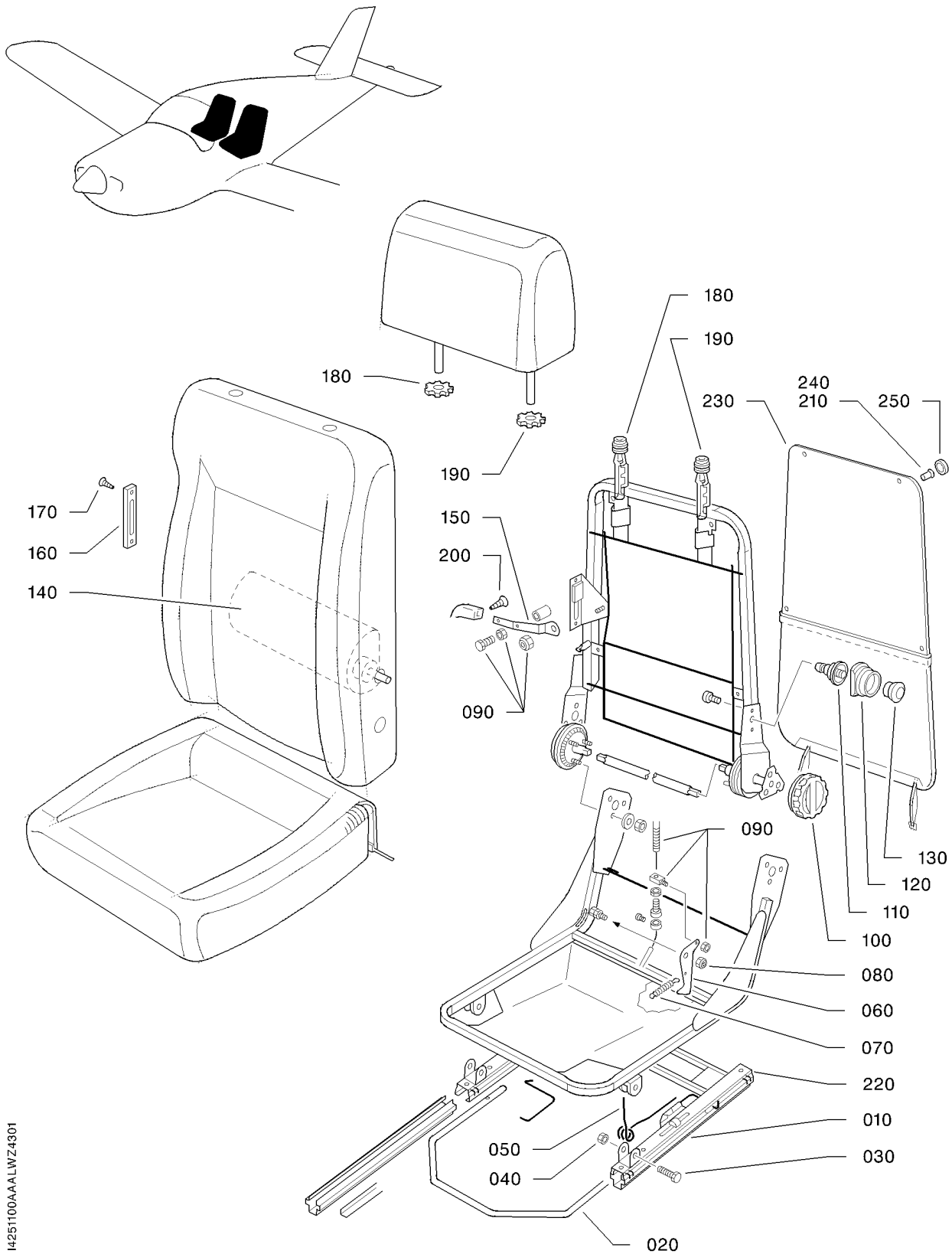
25-11-02

FIG. 1F

PAGE 1

NOV 30/18

TB10 74095, SHEET METAL SEATPAN WITH FIXED BACKREST, LOWER RAIL 14.57 IN (370 MM)



I4251100AAA LWZ4301

FRONT SEATS STRUCTURE
FIGURE 1G

25-11-02

FIG. 1G
PAGE 0 R

FIG.ITEM	PART NUMBER	NOMENCLATURE	EFFECT FROM TO	UNITS PER ASSY	OBS	
					1234567 	
1G- 1	TB25-11-02-01G-001	FRONT SEATS STRUCTURE		RF		
10	7322010021	.SET OF SLIDES VFA5F9 OPT TO 1MEC21 MADE BY VFA5F9 RPLD BY TB10 7470000000		2	NP	R
20	6068157242	.ADJUSTMENT HANDLE VFA5F9 OPT TO 1MEC22 MADE BY VFA5F9 PRE-KIT TB10 7470000000		1		
- 20A	TB10 9601310050	.ADJUSTMENT HANDLE POST-KIT TB10 7470000000		1		
30	5101229527	.BOLT		2		
40	5401458376	.NUT OPT TO E25412B80QQVAL MADE BY VF0110		2		R
50	7734010007	.RETRACTION SPRING VFA5F9 OPT TO 1MEC07 MADE BY VFA5F9		2		
60	7160010085	.TILTING HOOK VFA5F9 OPT TO 1MEC25 MADE BY VFA5F9		1		
70	7734010024	.TILTING SPRING VFA5F9 OPT TO 1MEC24 MADE BY VFA5F9		1		
80	7228010009	.NUT VFA5F9 OPT TO HF28ADL 1VIS09 MADE BY VFA5F9		1		
90	6068157244	.TILTING CONTROL VFA5F9 OPT TO 1MEC23 MADE BY VFA5F9		1		
100	7083010001	.BACKREST RECLINE KNURLED VFA5F9 CONTROL KNOB OPT TO 1PLA01 MADE BY VFA5F9		1		
110	7886010003	.VALVE VFA5F9 OPT TO 1CAR03 MADE BY VFA5F9		1		
120	6068157245	.BUTTON FITTING VFA5F9 OPT TO 1CAR01 MADE BY VFA5F9		1		
130	7083010002	.BUTTON VFA5F9 OPT TO CARV PUSH 1CAR02 MADE BY VFA5F9		1		
140	6068157246	.LUMBAR CUSHION		1		
150	7456010026	.TILTING LEVER VFA5F9 OPT TO 1MEC26 MADE BY VFA5F9		1		
160	7687010005	.PROTECTIVE PLATE VFA5F9 OPT TO 1PLA05 MADE BY VFA5F9		1		
170	7907010006	.PROTECTIVE PLATE ATTACHING VFA5F9 SCREW OPT TO 1VIS06 MADE BY VFA5F9		2		
-175	6068157228	.HEADREST GUIDE KIT		1		
180	6068157247	..FIXED HEADREST GUIDE OPT TO 1PLA02 MADE BY VFA5F9		1		R
190	6068157248	..MOVABLE HEADREST GUIDE OPT TO 1PLA03 MADE BY VFA5F9		1		R

- ITEM NOT ILLUSTRATED

25-11-02

FIG. 1G

PAGE 1

NOV 30/18

TB10 74935, SHEET METAL SEATPAN WITH RECLINING BACKREST, LOWER RAIL 14.57 IN (370 MM)

FIG. ITEM	PART NUMBER	1234567 	NOMENCLATURE	EFFECT FROM TO	UNITS PER ASSY	OBS
1G 200	7083010004		. LOCK CONTROL KNOB VFA5F9 OPT TO 1PLA04 MADE BY VFA5F9		1	
210	7743010007		. WASHER FOR RIVET		AR	
220	6068157249		. RUBBER PLATE SET VFA5F9 OPT TO 1PLA07 MADE BY VFA5F9		1	
230	6068157250		. BACK SHELL VFA5F9 OPT TO 1PEC06 MADE BY VFA5F9 BLUE		1	
-230A	6068157251		. BACK SHELL VFA5F9 OPT TO 1PEC06 MADE BY VFA5F9 "FICELLE"		1	R
240	7755010000		. BACKREST REAR ATTACHING RIVET		AR	
250	7110010001		. RIVET COVER VFA5F9 OPT TO 1RIV01 MADE BY VFA5F9		AR	

- ITEM NOT ILLUSTRATED

25-11-02

FIG. 1G

PAGE 2

NOV 30/18

PAGE INTENTIONALLY BLANK

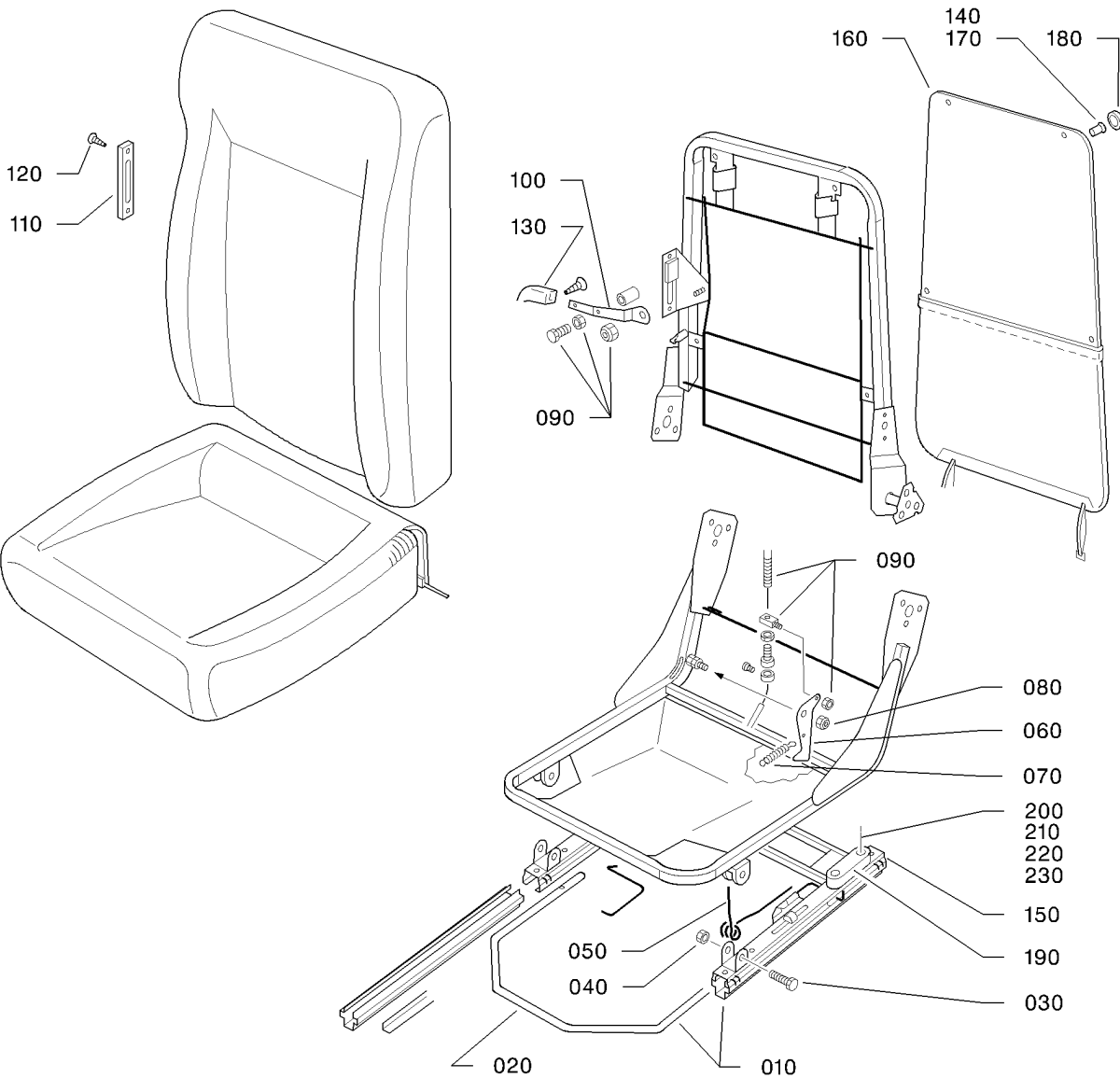
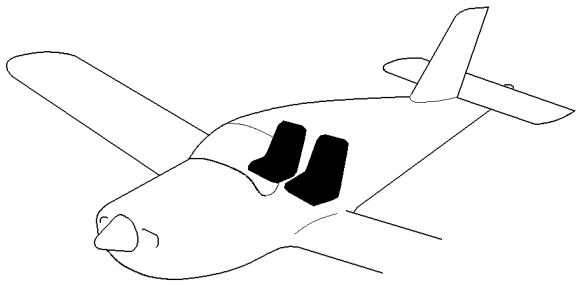
25-11-02

FIG. 1G

PAGE 3 R

NOV 30/18

TB10 74935, SHEET METAL SEATPAN WITH RECLINING BACKREST, LOWER RAIL 14.57 IN (370 MM)



14251100AAARWZ4404

FRONT SEATS STRUCTURE
FIGURE 1H

25-11-02

FIG. 1H

PAGE 0 R

NOV 30/18

FIG.ITEM	PART NUMBER	NOMENCLATURE	EFFECT FROM TO	UNITS PER ASSY	OBS
1H- 1	TB25-11-02-01H-001	FRONT SEATS STRUCTURE		RF	
10	TB10 7470100000	.L.H. RAILS ASSY		1	R
- 15	TB10 7470100100	.R.H. RAILS ASSY		1	R
20	TB10 9601310050	..ADJUSTMENT HANDLE		1	
30	5101229527	.BOLT		2	
40	5401458376	.NUT OPT TO E25412B80QQVAL MADE BY VF0110		2	R
50	7734010007	.RETRACTION SPRING OPT TO 1MEC07 MADE BY VFA5F9		2	R
60	7160010085	.TILTING HOOK OPT TO 1MEC25 MADE BY VFA5F9		1	R
70	7734010024	.TILTING SPRING OPT TO 1MEC24 MADE BY VFA5F9		1	R
80	7228010009	.NUT OPT TO HF28ADL VIS09 MADE BY VFA5F9		1	R
90	6068157244	.TILTING CONTROL OPT TO 1MEC23 MADE BY VFA5F9		1	R
100	7456010026	.TILTING LEVER OPT TO 1MEC26 MADE BY VFA5F9		1	R
110	7687010005	.PROTECTIVE PLATE OPT TO 1PLA05 MADE BY VFA5F9		1	R
120	7907010006	.PROTECTIVE PLATE ATTACHING SCREW OPT TO 1VIS06 MADE BY VFA5F9		2	R
130	7083010004	.LOCK CONTROL KNOB OPT TO 1PLA04 MADE BY VFA5F9		1	R
140	7743010007	.WASHER FOR RIVET		AR	
150	6068157249	.RUBBER PLATE SET OPT TO 1PLA07 MADE BY VFA5F9		1	R
160	6068157250	.BACK SHELL OPT TO 1PEC06 MADE BY VFA5F9 BLUE		1	R
-160A	6068157251	.BACK SHELL OPT TO 1PEC06 MADE BY VFA5F9 "FICELLE"		1	R
170	7755010000	.BACKREST REAR ATTACHING RIVET		AR	
180	7110010001	.RIVET COVER OPT TO 1RIV01 MADE BY VFA5F9		AR	R
190	TB10 7420311700	.RUBBER SHIM POST-SB10-115-25 (KIT OPT10 927300)		2	R
200	5142023084	.SCREW POST-SB10-115-25 (KIT OPT10 927300)		4	R

- ITEM NOT ILLUSTRATED

25-11-02

FIG. 1H

PAGE 1

NOV 30/18

FIG. ITEM	PART NUMBER	1234567 	NOMENCLATURE	EFFECT FROM TO	UNITS PER ASSY	OBS
1H 210	5735014160		.CUP POST-SB10-115-25 (KIT OPT10 927300)		4	R
220	TB10 7420311900		.SHOULDERED WASHER POST-SB10-115-25 (KIT OPT10 927300)		4	R
230	5414468159		.NUT OPT TO 4PH135M MADE BY VF0224 POST-SB10-115-25 (KIT OPT10 927300)		4	R

- ITEM NOT ILLUSTRATED

25-11-02

FIG. 1H

PAGE 2

NOV 30/18

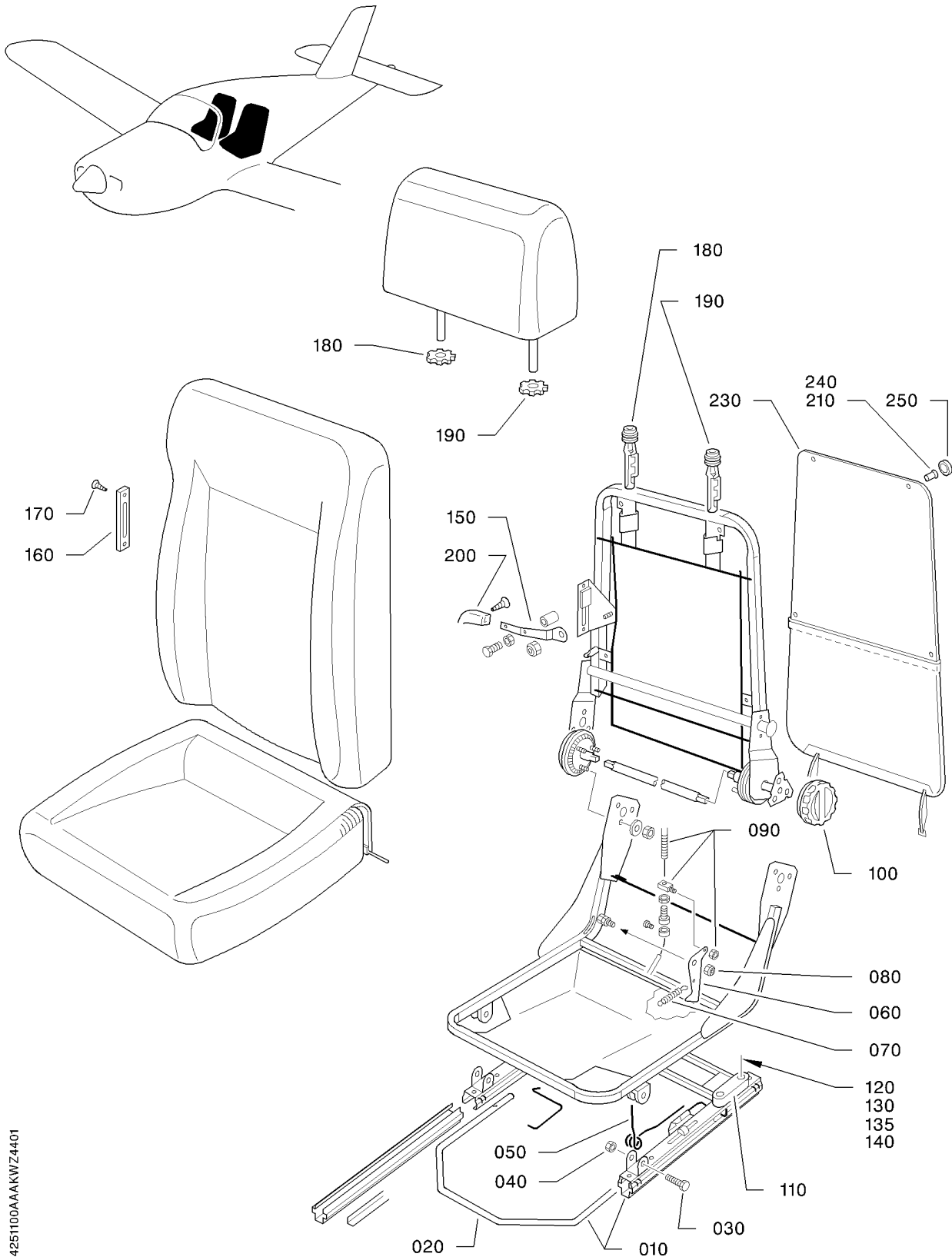
PAGE INTENTIONALLY BLANK

25-11-02

FIG. 1H

PAGE 3 R

NOV 30/18



I4251100AAAKWZ4401

FRONT SEATS STRUCTURE
FIGURE 1J

25-11-02

FIG. 1J

PAGE 0 R

NOV 30/18

FIG. ITEM	PART NUMBER	NOMENCLATURE	EFFECT FROM TO	UNITS PER ASSY	OBS
		1234567 			
1J- 1	TB25-11-02-01J-001	FRONT SEATS STRUCTURE		RF	
10		.RAILS ASSY		1	
20		..ADJUSTMENT HANDLE		1	
30	5101229527	.BOLT		2	
40	5401458376	.NUT OPT TO E25412B80QQVAL MADE BY VF0110		2	R
50	7734010007	.RETRACTION SPRING VFA5F9 OPT TO 1MEC07 MADE BY VFA5F9		2	
60	7160010085	.TILTING HOOK VFA5F9 OPT TO 1MEC25 MADE BY VFA5F9		1	
70	7734010024	.TILTING SPRING VFA5F9 OPT TO 1MEC24 MADE BY VFA5F9		1	
80	7228010009	.NUT VFA5F9 OPT TO HF28ADL 1VIS09 MADE BY VFA5F9		1	
90	6068157244	.TILTING CONTROL VFA5F9 OPT TO 1MEC23 MADE BY VFA5F9		1	
100	7083010001	.BACKREST RECLINE KNURLED VFA5F9 CONTROL KNOB OPT TO 1PLA01 MADE BY VFA5F9		1	
110	TB10 7420311700	.RUBBER SHIM POST-SB10-115-25 (KIT OPT10 927300)		2	R
120	5142023084	.SCREW VF0188 POST-SB10-115-25 (KIT OPT10 927300)		4	R
130	5735014160	.CUP POST-SB10-115-25 (KIT OPT10 927300)		4	R
135	TB10 7420311900	.SHOULDERED WASHER POST-SB10-115-25 (KIT OPT10 927300)		4	R
140	5414468159	.NUT VF0224 OPT TO 4PH135M MADE BY VF0224 POST-SB10-115-25 (KIT OPT10 927300)		4	R
150	7456010026	.TILTING LEVER VFA5F9 OPT TO 1MEC26 MADE BY VFA5F9		1	
160	7687010005	.PROTECTIVE PLATE VFA5F9 OPT TO 1PLA05 MADE BY VFA5F9		1	
170	7907010006	.PROTECTIVE PLATE ATTACHING VFA5F9 SCREW OPT TO 1VIS06 MADE BY VFA5F9		2	
-175	6068157228	.HEADREST GUIDE KIT		2	
180	6068157247	..FIXED HEADREST GUIDE OPT TO 1PLA02 MADE BY VFA5F9		1	R

- ITEM NOT ILLUSTRATED

25-11-02

FIG. 1J

PAGE 1

NOV 30/18

FIG. ITEM	PART NUMBER	1234567 	NOMENCLATURE	EFFECT FROM TO	UNITS PER ASSY	OBS
1J 190	6068157248		.MOVABLE HEADREST GUIDE OPT TO 1PLA03 MADE BY VFA5F9		1	R
200	7083010004		.LOCK CONTROL KNOB VFA5F9 OPT TO 1PLA04 MADE BY VFA5F9		1	
210	7743010007		.WASHER FOR RIVET		AR	
230	6068157250		.BACK SHELL VFA5F9 OPT TO 1PEC06 MADE BY VFA5F9 BLUE		1	
-230A	6068157251		.BACK SHELL VFA5F9 OPT TO 1PEC06 MADE BY VFA5F9 "FICELLE"		1	R
240	7755010000		.BACKREST REAR ATTACHING RIVET		AR	
250	7110010001		.RIVET COVER VFA5F9 OPT TO 1RIV01 MADE BY VFA5F9		AR	

- ITEM NOT ILLUSTRATED

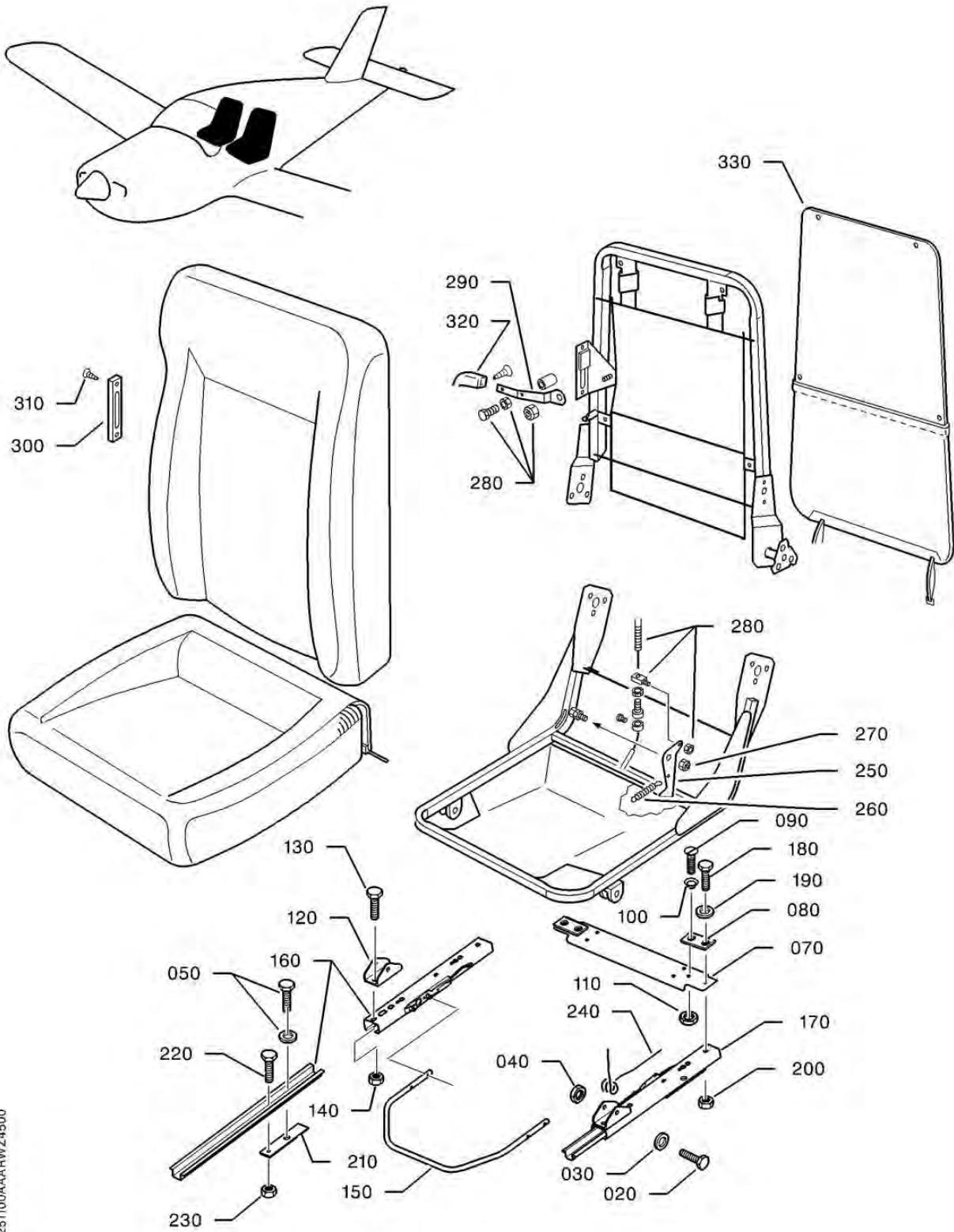
25-11-02

FIG. 1J

PAGE 2

NOV 30/18

PAGE INTENTIONALLY BLANK



14251100AAAARWZ4500

FRONT SEATS STRUCTURE
FIGURE 1K

25-11-02

FIG. 1K

PAGE 0 R

NOV 30/18

FIG.ITEM	PART NUMBER	1234567 	NOMENCLATURE	EFFECT FROM TO	UNITS PER ASSY	OBS
1K- 1	TB25-11-02-01K-001		FRONT SEATS STRUCTURE		RF	R
- 10	TB10 74711001		.SLIDE ASSY ATTACHING PARTS		1	R
20	5101229535		.BOLT		2	R
30	5701054365		.WASHER OPT TO 23111AG080LE MADE BY VF0111		2	R
40	5401458376		.NUT OPT TO E25412B80QQVAL MADE BY VF0110		2	R
50	TB25-11-03-01A-001		.FRONT SEATS MOUNTS * * *		RF	R
- 60	TB10 74711002		..CROSS BAR ASSY		1	R
70	TB10 74711100		...CROSS BAR		1	R
80	TB10 74711101		...RUBBER SHIM ATTACHING PARTS		2	R
90	5142023084		...SCREW		2	R
100	5735014160		...CUP		2	R
110	5414468159		...NUT OPT TO 4PH135M MADE BY VF0224 * * *		2	R
120	TB10 74711102		..MACHINED HINGE ATTACHING PARTS		2	R
130	5102967479		..BOLT RPLD BY 5102883479		4	R
-130A	5102883479		..BOLT RPLS 5102967479		4	R
140	5414468376		..NUT OPT TO 8PH135M MADE BY VF0224 * * *		4	R
150	TB10 74711105		..ADJUSTEMENT HANDLE		1	R
160	TB10 74711106		..R.H. SLIDE		1	R
170	TB10 74711107		..L.H. SLIDE ATTACHING PARTS		1	R
180	5102967479		..BOLT RPLD BY 5102883479		2	R
-180A	5102883479		..BOLT RPLS 5102967479		2	R
190	5702054365		..WASHER		2	R
200	5414468376		..NUT OPT TO 8PH135M MADE BY VF0224 * * *		2	R
210	TB10 74711104		..SHIM ATTACHING PARTS		2	R
220	5102953168		..BOLT OPT TO ISO 4017-M5X12-5.6-B9G MADE BY VI9008		2	R

- ITEM NOT ILLUSTRATED

25-11-02

FIG. 1K

PAGE 1

NOV 30/18

FIG. ITEM	PART NUMBER	NOMENCLATURE		EFFECT FROM TO	UNITS PER ASSY	OBS
		1234567 				
1K 230	5414468239	.	.NUT OPT TO 5PH135M MADE BY VF0224 * * *		2	R
240	7734010007	.	.RETRACTION SPRING OPT TO 1MEC07 MADE BY VFA5F9		2	R
250	7160010085	.	.TILTING HOOK OPT TO 1MEC25 MADE BY VFA5F9		1	R
260	7734010024	.	.TILTING SPRING OPT TO 1MEC24 MADE BY VFA5F9		1	R
270	7228010009	.	.NUT OPT TO HF28ADL VIS09 MADE BY VFA5F9		1	R
280	6068157244	.	.TILTING CONTROL OPT TO 1MEC23 MADE BY VFA5F9		1	R
290	7456010026	.	.TILTING LEVER OPT TO 1MEC26 MADE BY VFA5F9		1	R
300	7687010005	.	.PROTECTIVE PLATE OPT TO 1PLA05 MADE BY VFA5F9		1	R
310	7907010006	.	.PROTECTIVE PLATE ATTACHING SCREW OPT TO 1VIS06 MADE BY VFA5F9		2	R
320	7083010004	.	.LOCK CONTROL KNOB OPT TO 1PLA04 MADE BY VFA5F9		1	R
330	6068157250	.	.BACK SHELL OPT TO 1PEC06 MADE BY VFA5F9 BLUE		1	R
-330A	6068157251	.	.BACK SHELL OPT TO 1PEC06 MADE BY VFA5F9 "FICELLE"		1	R

- ITEM NOT ILLUSTRATED

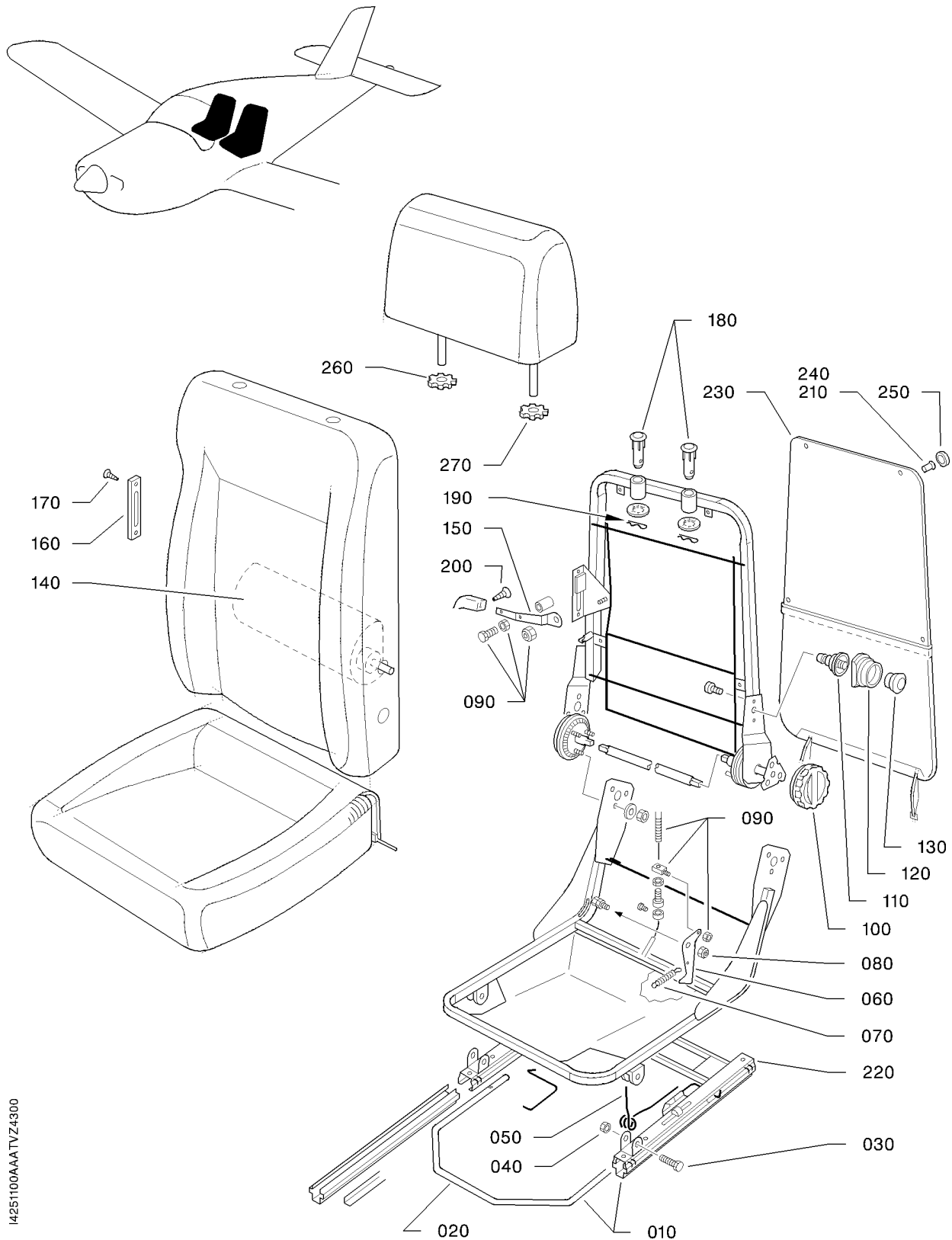
25-11-02

FIG. 1K

PAGE 2

NOV 30/18

PAGE INTENTIONALLY BLANK



I4251100AAA TVZ4300

FRONT SEATS STRUCTURE
FIGURE 1N

25-11-02

FIG. 1N

PAGE 0 R

NOV 30/18

FIG.ITEM	PART NUMBER	1234567 	NOMENCLATURE	EFFECT FROM TO	UNITS PER ASSY	OBS
1N- 1	TB25-11-02-01N-001		FRONT SEATS STRUCTURE		RF	R
10	TB10 7470100000		.L.H. RAILS ASSY		1	R
20	TB10 9601310050		..ADJUSTMENT HANDLE		1	
30	5101229527		.BOLT		2	
40	5401458376		.NUT		2	R
			OPT TO E25412B80QQVAL MADE BY VF0110			
50	7734010007		.RETRACTION SPRING		1	R
			OPT TO 1MEC07 MADE BY VFA5F9			
60	7160010085		.TILTING HOOK		1	R
			OPT TO 1MEC25 MADE BY VFA5F9			
70	7734010024		.TILTING SPRING		1	R
			OPT TO 1MEC24 MADE BY VFA5F9			
80	7228010009		.NUT		1	R
			OPT TO HF28ADL VIS09 MADE BY VFA5F9			
90	6068157244		.TILTING CONTROL		1	R
			OPT TO 1MEC23 MADE BY VFA5F9			
100	7083010001		.BACKREST RECLINE KNURLED CONTROL KNOB		1	R
			OPT TO 1PLA01 MADE BY VFA5F9			
110	7886010003		.VALVE		1	R
			OPT TO 1CAR03 MADE BY VFA5F9			
120	6068157245		.BUTTON FITTING		1	R
			OPT TO 1CAR01 MADE BY VFA5F9			
130	7083010002		.BUTTON		1	R
			OPT TO CARV PUSH 1CAR02 MADE BY VFA5F9			
140	6068157246		.LUMBAR CUSHION		1	
150	7456010026		.TILTING LEVER		1	R
			OPT TO 1MEC26 MADE BY VFA5F9			
160	7687010005		.PROTECTIVE PLATE		1	R
			OPT TO 1PLA05 MADE BY VFA5F9			
170	7907010006		.PROTECTIVE PLATE ATTACHING SCREW		2	R
			OPT TO 1VIS06 MADE BY VFA5F9			
-175	6068157228		.HEADREST GUIDE KIT		2	
180	7335401301		..HEADREST GUIDE		1	R
			OPT TO 8911-86 MADE BY VF0467 RPLD BY TB10 74936125			
-180A	TB10 74936125		..HEADREST GUIDE		1	R
			OPT TO 8911-86 MADE BY VF0467 RPLS 7335401301			
190	TB10 74938105		..LOCKING PIN		1	
200	7083010004		.LOCK CONTROL KNOB		1	R
			OPT TO 1PLA04 MADE BY VFA5F9			
210	7743010007		.WASHER FOR RIVET		AR	

- ITEM NOT ILLUSTRATED

25-11-02

FIG. 1N

PAGE 1

NOV 30/18

TB10 74936, SHEET METAL SEATPAN WITH RECLINING BACKREST, LOWER RAIL 12.40 IN (315
MM)

FIG.ITEM	PART NUMBER	NOMENCLATURE		EFFECT FROM TO	UNITS PER ASSY	OBS
		1234567 				
1N 220	6068157249		.RUBBER PLATE SET OPT TO 1PLA07 MADE BY VFA5F9		1	R
230	6068157250		.BACK SHELL OPT TO 1PEC06 MADE BY VFA5F9 BLUE		1	R
-230A	6068157251		.BACK SHELL OPT TO 1PEC06 MADE BY VFA5F9 "FICELLE"		1	R
240	7755010000		.BACKREST REAR ATTACHING RIVET		AR	
250	7110010001		.RIVET COVER OPT TO 1RIV01 MADE BY VFA5F9		AR	R
260	6068157247		.FIXED HEADREST GUIDE OPT TO 1PLA02 MADE BY VFA5F9		1	R
270	6068157248		.MOVABLE HEADREST GUIDE OPT TO 1PLA03 MADE BY VFA5F9		1	R

- ITEM NOT ILLUSTRATED

25-11-02

FIG. 1N

PAGE 2

NOV 30/18

PAGE INTENTIONALLY BLANK

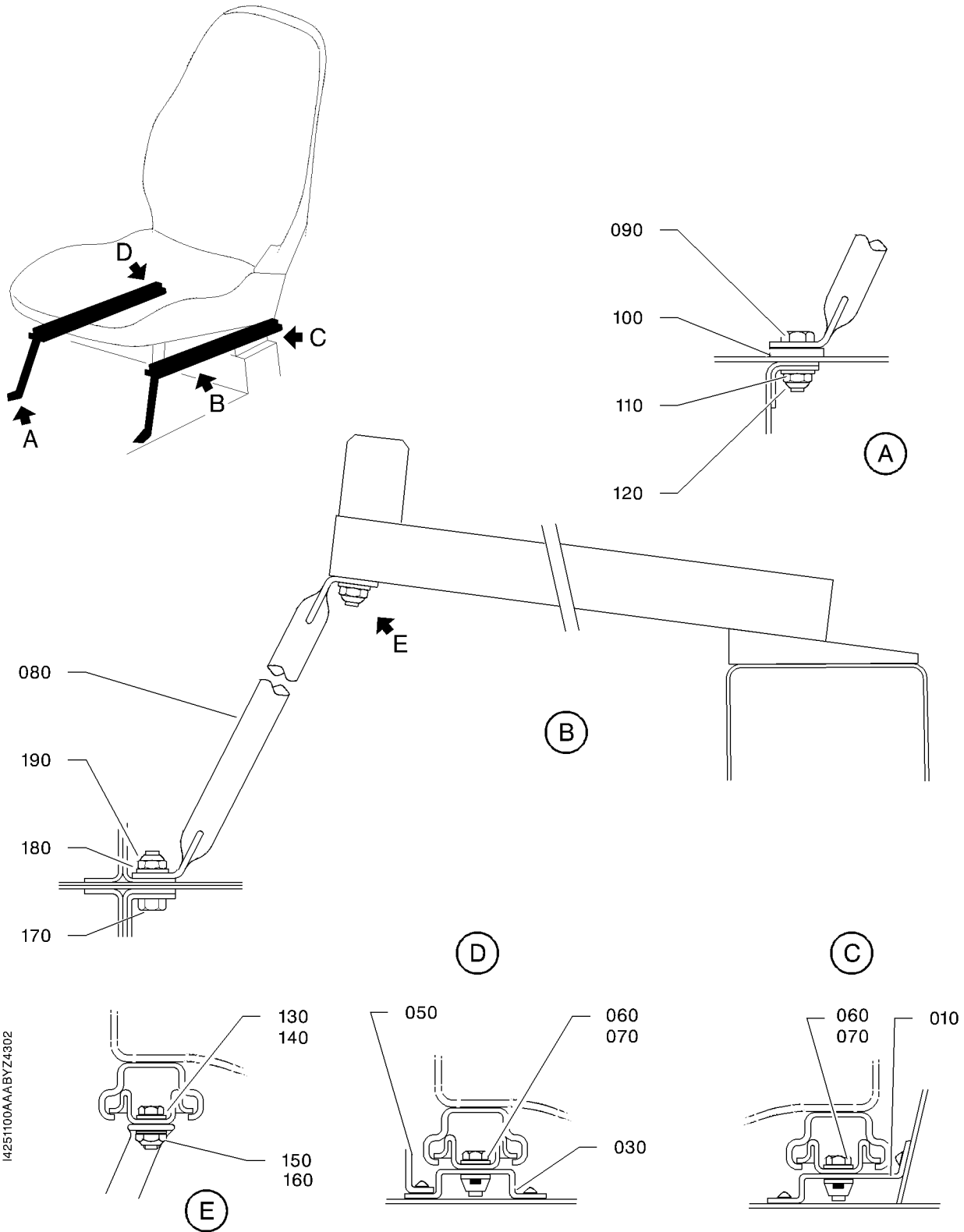
25-11-02

FIG. 1N

PAGE 3 R

NOV 30/18

TB10 74936, SHEET METAL SEATPAN WITH RECLINING BACKREST, LOWER RAIL 12.40 IN (315 MM)



I4251100AAAABYZ4302

FRONT SEATS MOUNTS
FIGURE 1

25-11-03

FIG. 1
PAGE 0 R

FRONT SEATS TB10 74012, TB10 74028, TB10 74030, TB10 74095, TB10 74902, TB10 74920, TB10 74930, TB10 74935

NOV 30/18

FIG. ITEM	PART NUMBER	1234567 	NOMENCLATURE	EFFECT FROM TO	UNITS PER ASSY	OBS
1 - 1	TB25-11-03-01-001		FRONT SEATS MOUNTS		RF	
10	TB10 74008117		.L.H. EXTERNAL SUPPORT		1	OR
- 20	TB10 74008118		.R.H. EXTERNAL SUPPORT		1	OR
30	TB10 74008102		.L.H. INTERNAL SUPPORT		1	OR
- 40	TB10 74008103		.R.H. INTERNAL SUPPORT		1	OR
50	TB10 74010105		.DOUBLER		2	OR
60	5101229310		ATTACHING PARTS .BOLT CAUTION : ACCORDING TO SLIDE THICKNESS, A SHORTER BOLT P/N 5101229305 MAY BE NECESSARY		4	R
70	5741503325		.WASHER OPT TO AN960-416 MADE BY V88044 RPLD BY 5741151463		4	R
- 70A	5741151463		.WASHER OPT TO NAS1149F0463P MADE BY V80205 RPLS 5741503325		4	R
80	TB10 74011100		* * * .SUPPORT TUBE NOT VALID WITH OPT10 0800 OPTION AND FOR AIRCRAFT WITH KIT TB10 7470000000 ; FOR AIRCRAFT WITH KIT TB10 7470000000, SEE FIG. 1A RPLD BY TB10 74011101		4	R
- 80A	TB10 74011101		.SUPPORT TUBE NOT VALID WITH OPT10 0800 OPTION AND FOR AIRCRAFT WITH KIT TB10 7470000000 ; FOR AIRCRAFT WITH KIT TB10 7470000000, SEE FIG. 1A RPLS TB10 74011100		4	R
90	5102953305		ATTACHING PARTS .BOLT OPT TO E27311H60Q20AGUL MADE BY VF0110		2	R
100	TB10 09001118		.SPACER		2	
110	5701039290		.WASHER OPT TO 23111AD060L MADE BY VF0111		2	R
120	5401458300		.NUT OPT TO E25412B60QQVAL MADE BY VF0110		2	R
130	5102953305		.BOLT OPT TO E27311H60Q20AGUL MADE BY VF0110		4	R

- ITEM NOT ILLUSTRATED

25-11-03

FIG. 1
PAGE 1

NOV 30/18

FRONT SEATS TB10 74012, TB10 74028, TB10 74030, TB10 74095, TB10 74902, TB10 74920, TB10 74930, TB10 74935

FIG. ITEM	PART NUMBER	NOMENCLATURE		EFFECT FROM TO	UNITS PER ASSY	OBS
		1234567 				
1 140	5741503325	.WASHER	OPT TO AN960-416 MADE BY V88044 RPLD BY 5741151463		4	R
-140A	5741151463	.WASHER	OPT TO NAS1149F0463P MADE BY V80205 RPLS 5741503325		4	R
150	5701039290	.WASHER	OPT TO 23111AD060L MADE BY VF0111		4	R
160	5401458300	.NUT	OPT TO E25412B60QQVAL MADE BY VF0110		4	R
170	5109337292	.BOLT			2	
180	5701039290	.WASHER	OPT TO 23111AD060L MADE BY VF0111		2	R
190	5402453300	.NUT	OPT TO 6PA106 MADE BY VF0224 * * *		2	R

- ITEM NOT ILLUSTRATED

25-11-03

FIG. 1
PAGE 2

FRONT SEATS TB10 74012, TB10 74028, TB10 74030, TB10 74095, TB10 74902, TB10 74920,
TB10 74930, TB10 74935

NOV 30/18

PAGE INTENTIONALLY BLANK

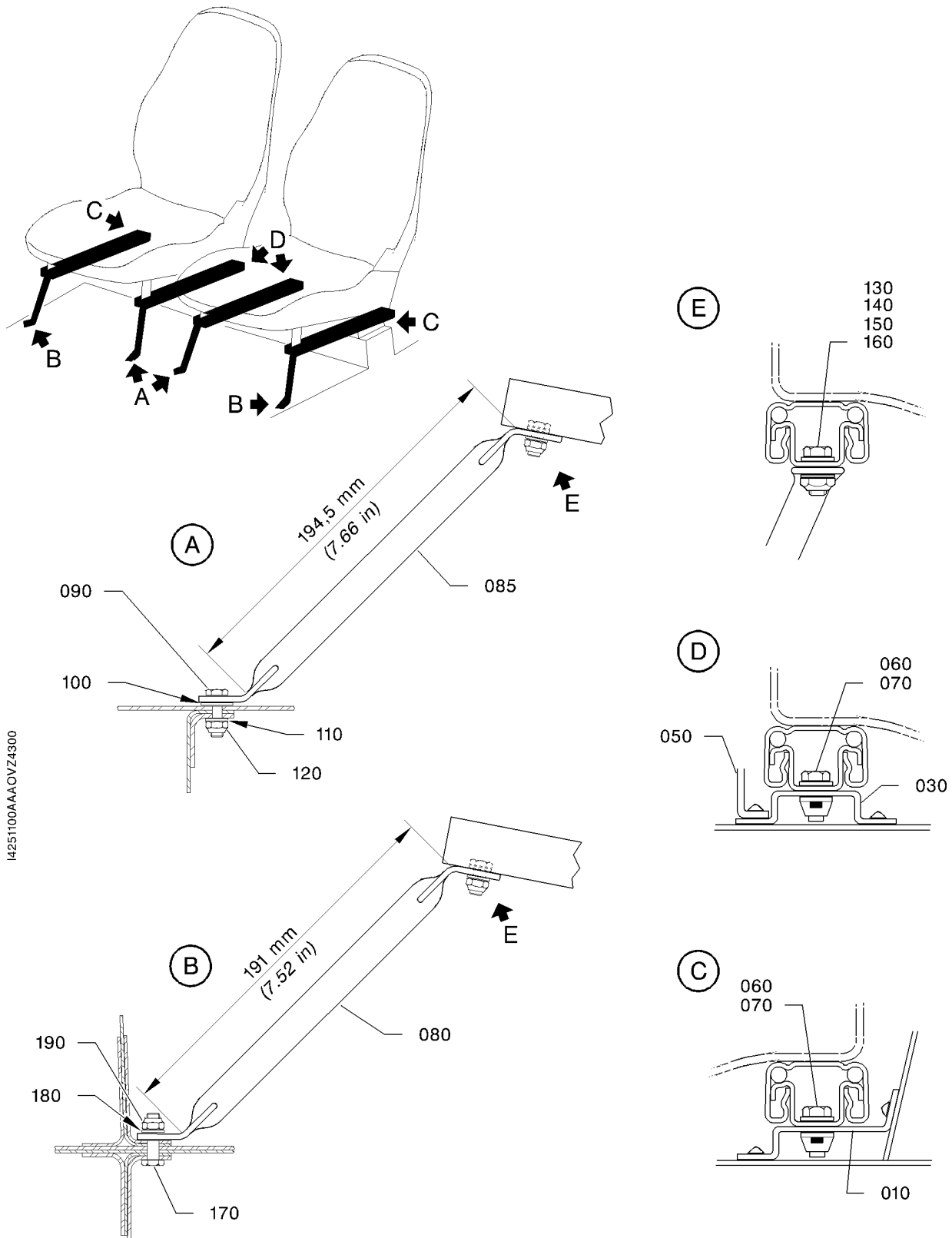
25-11-03

FIG. 1

PAGE 3 R

FRONT SEATS TB10 74012, TB10 74028, TB10 74030, TB10 74095, TB10 74902, TB10 74920,
TB10 74930, TB10 74935

NOV 30/18



FRONT SEATS MOUNTS
FIGURE 1A

25-11-03

FIG. 1A

PAGE 0 R

NOV 30/18

FIG.ITEM	PART NUMBER	NOMENCLATURE	EFFECT FROM TO	UNITS PER ASSY	OBS
		1234567 			
1A- 1	TB25-11-03-01A-001	FRONT SEATS MOUNTS		RF	
10	TB10 74008117	.L.H. EXTERNAL SUPPORT		1	OR
- 20	TB10 74008118	.R.H. EXTERNAL SUPPORT		1	OR
30	TB10 74008102	.L.H. INTERNAL SUPPORT		1	OR
- 40	TB10 74008103	.R.H. INTERNAL SUPPORT		1	OR
50	TB10 74010105	.DOUBLER		2	OR
		ATTACHING PARTS			
60	5101229310	.BOLT CAUTION : ACCORDING TO SLIDE THICKNESS, A SHORTER BOLT P/N 5101229305 MAY BE NECESSARY		4	R
70	5741503325	.WASHER OPT TO AN960-416 MADE BY V88044 PRE-MOD10-0247-25 RPLD BY 5741151463		4	R
- 70A	5741151463	.WASHER OPT TO NAS1149F0463P MADE BY V80205 PRE-MOD10-0247-25 RPLS 5741503325 SUPSD BY 5703054240		4	R
- 70B	5703054240	.WASHER POST-MOD10-0247-25, ONLY AS SPARES FOR THE SLIDE OF 25-11-02 FIG. 1H SUPSDS 5741151463		4	R
		* * *			
80	TB10 74105100	.OUTER SUPPORT TUBE NOT VALID WITH OPT10 0800 OPTION		2	
85	TB10 74105101	.INNER SUPPORT TUBE NOT VALID WITH OPT10 0800 OPTION		2	
		ATTACHING PARTS			
90	5101229298	.BOLT		2	R
100	5706039290	.WASHER OPT TO 23116AD060L MADE BY VF0111		2	R
110	5701039290	.WASHER OPT TO 23111AD060L MADE BY VF0111		2	R
120	5401458300	.NUT OPT TO E25412B60QQVAL MADE BY VF0110		2	R
130	5101229298	.BOLT		4	R

- ITEM NOT ILLUSTRATED

25-11-03

FIG. 1A

PAGE 1

NOV 30/18

FRONT SEATS TB10 74106, TB10 74936

FIG. ITEM	PART NUMBER	1234567 	NOMENCLATURE	EFFECT FROM TO	UNITS PER ASSY	OBS
1A 140	5741503325		.WASHER OPT TO AN960-416 MADE BY V88044 RPLD BY 5741151463		4	R
-140A	5741151463		.WASHER OPT TO NAS1149F0463P MADE BY V80205 RPLS 5741503325		4	R
150	5701039290		.WASHER OPT TO 23111AD060L MADE BY VF0111		4	R
160	5401458300		.NUT OPT TO E25412B60QQVAL MADE BY VF0110		4	R
170	5101229310		.BOLT		2	
180	5701039290		.WASHER OPT TO 23111AD060L MADE BY VF0111		2	R
190	5401458300		.NUT OPT TO E25412B60QQVAL MADE BY VF0110 * * *		2	R

- ITEM NOT ILLUSTRATED

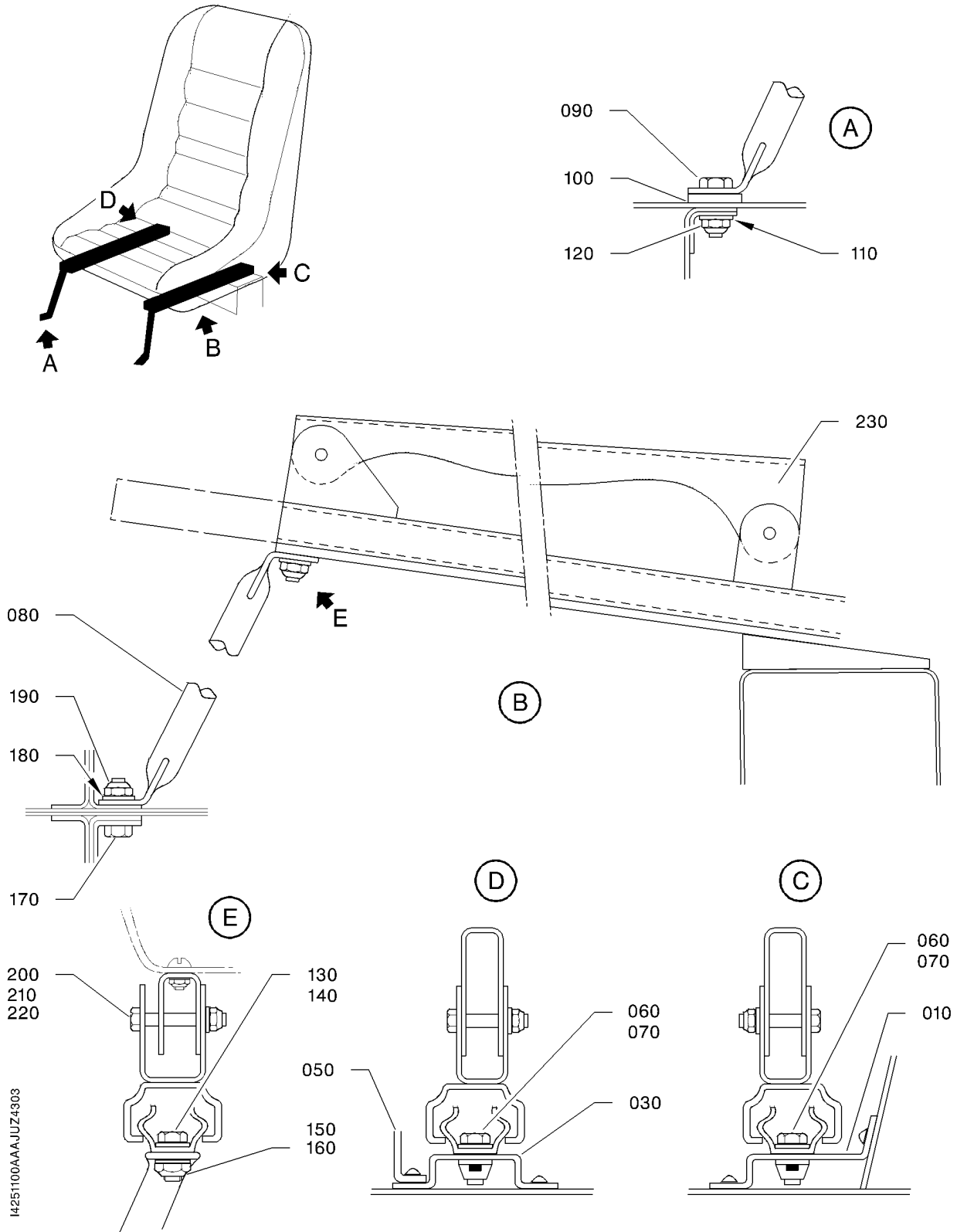
25-11-03

FIG. 1A

PAGE 2

NOV 30/18

PAGE INTENTIONALLY BLANK



14251100AAAJUJZ4303

FRONT SEATS MOUNTS
FIGURE 1B

25-11-03

FIG. 1B

PAGE 0 R

NOV 30/18

FIG.ITEM	PART NUMBER	NOMENCLATURE	EFFECT FROM TO	UNITS PER ASSY	OBS
		1234567 			
1B- 1	TB25-11-03-01B-001	FRONT SEATS MOUNTS		RF	R
10	TB10 74008117	.L.H. EXTERNAL SUPPORT		1	OR
- 20	TB10 74008118	.R.H. EXTERNAL SUPPORT		1	OR
30	TB10 74008102	.L.H. INTERNAL SUPPORT		1	OR
- 40	TB10 74008103	.R.H. INTERNAL SUPPORT		1	OR
50	TB10 74010105	.DOUBLER ATTACHING PARTS		2	OR
60	5101229310	.BOLT CAUTION : ACCORDING TO SLIDE THICKNESS, A SHORTER BOLT P/N 5101229305 MAY BE NECESSARY		4	R
70	5741503325	.WASHER OPT TO AN960-416 MADE BY V88044 RPLD BY 5741151463		4	R
- 70A	5741151463	.WASHER OPT TO NAS1149F0463P MADE BY V80205 RPLS 5741503325 * * *		4	R
80	TB10 74011100	.SUPPORT TUBE RPLD BY TB10 74011101		4	R
- 80A	TB10 74011101	.SUPPORT TUBE RPLS TB10 74011100 ATTACHING PARTS		4	R
90	5102953305	.BOLT OPT TO E27311H60Q20AGUL MADE BY VF0110		2	R
100	TB10 09001118	.SPACER		2	
110	5701039290	.WASHER OPT TO 23111AD060L MADE BY VF0111		2	R
120	5401458300	.NUT OPT TO E25412B60QQVAL MADE BY VF0110		2	R
130	5102953305	.BOLT OPT TO E27311H60Q20AGUL MADE BY VF0110		4	R
140	5741503325	.WASHER OPT TO AN960-416 MADE BY V88044 RPLD BY 5741151463		4	R
-140A	5741151463	.WASHER OPT TO NAS1149F0463P MADE BY V80205 RPLS 5741503325		4	R
150	5701039290	.WASHER OPT TO 23111AD060L MADE BY VF0111		4	R

- ITEM NOT ILLUSTRATED

25-11-03

FIG. 1B

PAGE 1

NOV 30/18

FRONT SEATS TB09 74011201/301, TB09 74011504/604, TB09 74011506/606, TB09 74011807/907, TB09 74011809/909

FIG. ITEM	PART NUMBER	1234567 	NOMENCLATURE	EFFECT FROM TO	UNITS PER ASSY	OBS
1B 160	5401458300		.NUT OPT TO E25412B60QQVAL MADE BY VF0110		4	R
170	5109337292		.BOLT		2	
180	5701039290		.WASHER OPT TO 23111AD060L MADE BY VF0111		2	R
190	5402453300		.NUT OPT TO 6PA106 MADE BY VF0224		2	R
200	5101229345		.BOLT		4	R
210	5706054365		.WASHER		4	
220	5402901376		.NUT * * *		4	
230	TB09 74011121		.SUPPORT		4	

- ITEM NOT ILLUSTRATED

25-11-03

FIG. 1B

PAGE 2

NOV 30/18

FRONT SEATS TB09 74011201/301, TB09 74011504/604, TB09 74011506/606, TB09 74011807/907, TB09 74011809/909

PAGE INTENTIONALLY BLANK

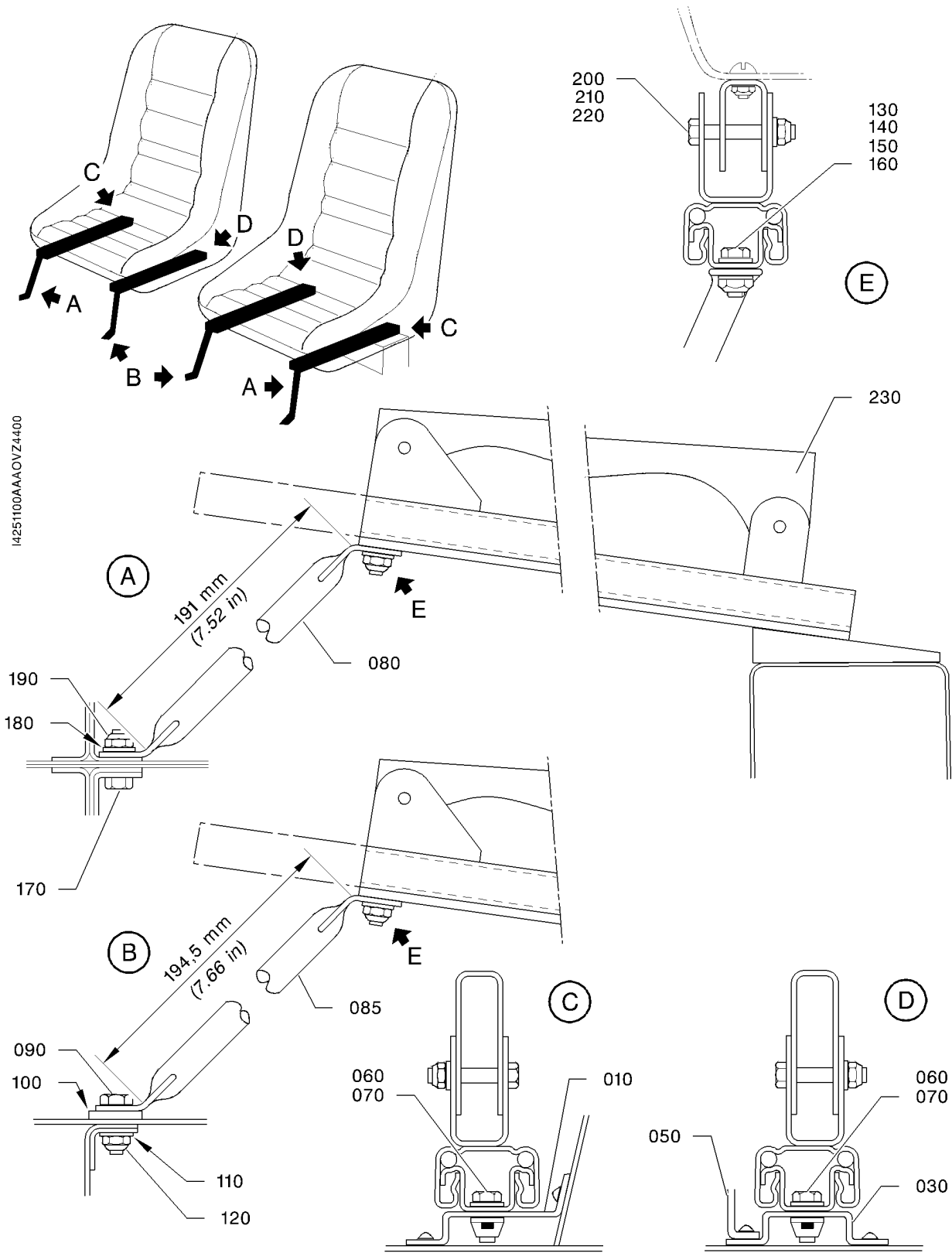
25-11-03

FIG. 1B

PAGE 3 R

NOV 30/18

FRONT SEATS TB09 74011201/301, TB09 74011504/604, TB09 74011506/606, TB09 74011807/907, TB09 74011809/909



I4251100AAA0VZ4400

FRONT SEATS MOUNTS
FIGURE 1C

25-11-03

FIG. 1C
PAGE 0 R

NOV 30/18

FRONT SEATS TB09 74011812, TB09 74011912, TB09 74011813, TB09 74011913, TB09 74011810, TB09 74011910, TB09 74011811, TB09 74011911

FIG. ITEM	PART NUMBER	1234567 	NOMENCLATURE	EFFECT FROM TO	UNITS PER ASSY	OBS
1C- 1	TF25-11-03-01C-001		FRONT SEATS MOUNTS		RF	
10	TB10 74008117		.L.H. EXTERNAL SUPPORT		1	OR
- 20	TB10 74008118		.R.H. EXTERNAL SUPPORT		1	OR
30	TB10 74008102		.L.H. INTERNAL SUPPORT		1	OR
- 40	TB10 74008103		.R.H. INTERNAL SUPPORT		1	OR
50	TB10 74010105		.DOUBLER		2	OR
			ATTACHING PARTS			
60	5101229310		.BOLT		4	R
			CAUTION : ACCORDING TO SLIDE THICKNESS, A SHORTER BOLT P/N 5101229305 MAY BE NECESSARY			
70	5741503325		.WASHER		4	R
			OPT TO AN960-416 MADE BY V88044 RPLD BY 5741151463			
- 70A	5741151463		.WASHER		4	R
			OPT TO NAS1149F0463P MADE BY V80205 RPLS 5741503325			
			* * *			
80	TB10 74105100		.OUTER SUPPORT TUBE		2	
85	TB10 74105101		.INNER SUPPORT TUBE		2	
			ATTACHING PARTS			
90	5101229305		.BOLT		2	
100	5706039290		.WASHER		2	R
			OPT TO 23116AD060L MADE BY VF0111			
110	5701039290		.WASHER		2	R
			OPT TO 23111AD060L MADE BY VF0111			
120	5401458300		.NUT		2	R
			OPT TO E25412B60QQVAL MADE BY VF0110			
130	5101229295		.BOLT		4	R
140	5741503325		.WASHER		4	R
			OPT TO AN960-416 MADE BY V88044 RPLD BY 5741151463			
-140A	5741151463		.WASHER		4	R
			OPT TO NAS1149F0463P MADE BY V80205 RPLS 5741503325			
150	5701039290		.WASHER		4	R
			OPT TO 23111AD060L MADE BY VF0111			
160	5401458300		.NUT		4	R
			OPT TO E25412B60QQVAL MADE BY VF0110			
170	5101229310		.BOLT		2	

- ITEM NOT ILLUSTRATED

25-11-03

FIG. 1C

PAGE 1

NOV 30/18

FRONT SEATS TB09 74011812, TB09 74011912, TB09 74011813, TB09 74011913, TB09 74011810, TB09 74011910, TB09 74011811, TB09 74011911

FIG.ITEM	PART NUMBER	1234567 	NOMENCLATURE	EFFECT FROM TO	UNITS PER ASSY	OBS
1C 180	5701039290		.WASHER OPT TO 23111AD060L MADE BY VF0111		2	R
190	5401458300		.NUT OPT TO E25412B60QQVAL MADE BY VF0110		2	R
200	5101229345		.BOLT		4	R
210	5706054365		.WASHER		4	
220	5402901376		.NUT		4	
			* * *			
230	TB09 74011121		.SUPPORT		4	

- ITEM NOT ILLUSTRATED

25-11-03

FIG. 1C

PAGE 2

NOV 30/18

FRONT SEATS TB09 74011812, TB09 74011912, TB09 74011813, TB09 74011913, TB09 74011810, TB09 74011910, TB09 74011811, TB09 74011911

PAGE INTENTIONALLY BLANK

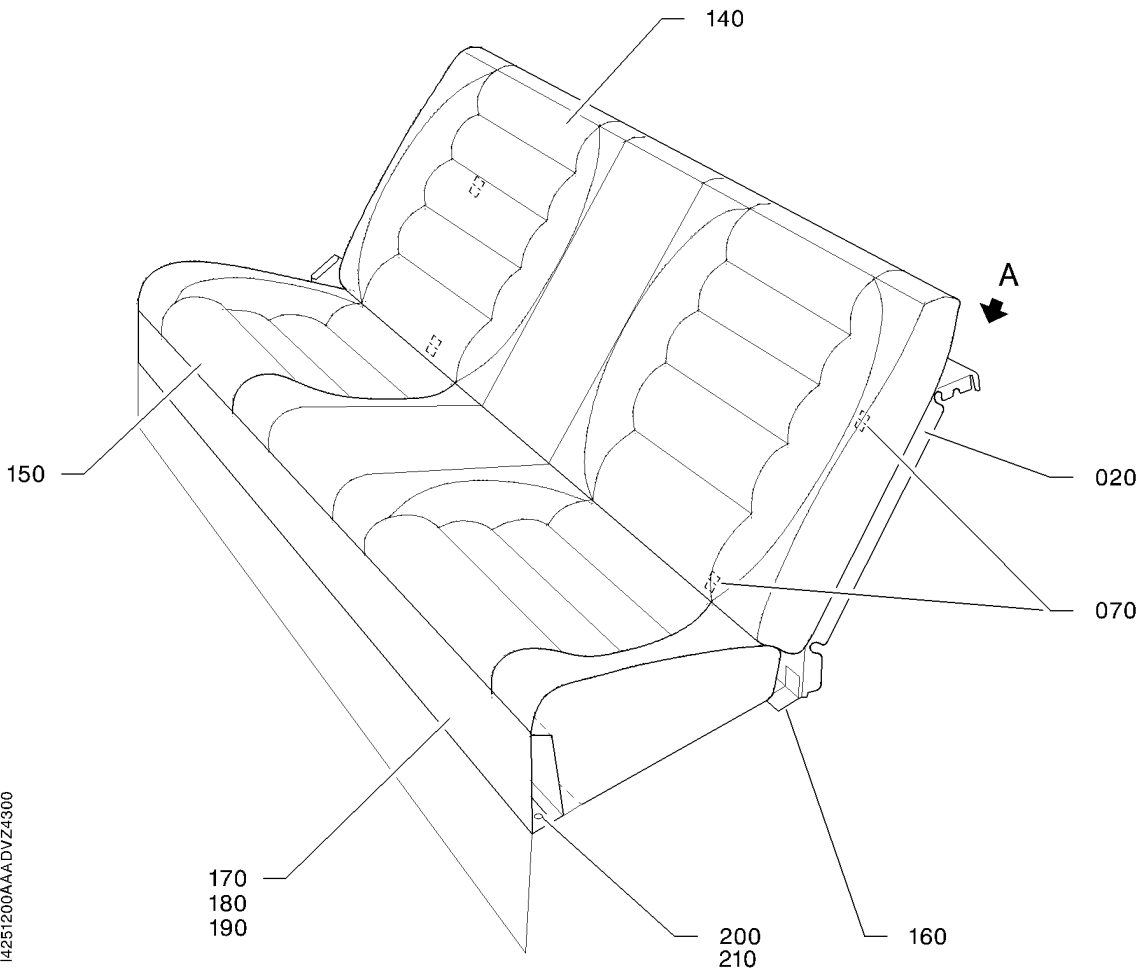
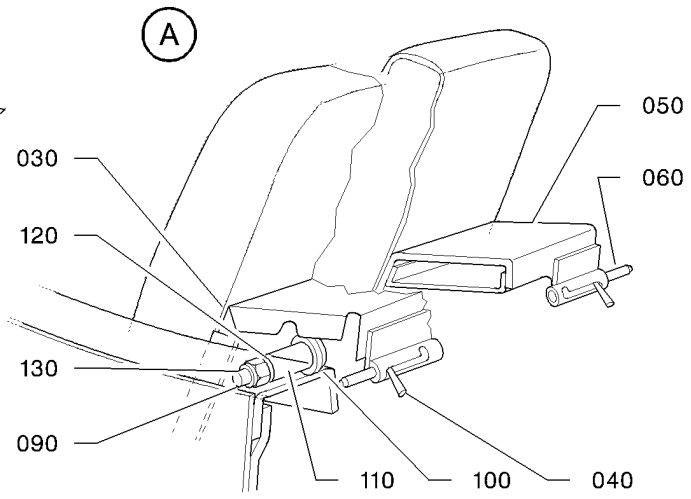
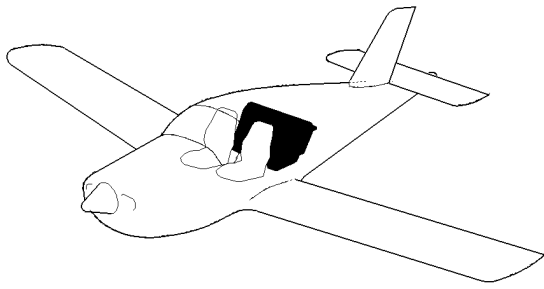
25-11-03

FIG. 1C

PAGE 3 R

NOV 30/18

FRONT SEATS TB09 74011812, TB09 74011912, TB09 74011813, TB09 74011913, TB09 74011810, TB09 74011910, TB09 74011811, TB09 74011911



I4251200AAADVZ4300

REAR BENCH
FIGURE 1

25-12-00

FIG. 1
PAGE 0 R
NOV 30/18

FIG. ITEM	PART NUMBER	NOMENCLATURE	EFFECT FROM TO	UNITS PER ASSY	OBS
		1234567 			
1 - 1	TF25-12-00-01-001	REAR BENCH		RF	
20	TB10 74000001	.REAR BACKREST ASSY		1	
30	TB10 74000114	..REAR BACKREST		1	OR
40	7895140107	..LOCK V83014 OPT TO H1000C1A50WR MADE BY V83014		1	OR
50	TB10 74000116	..CROSSBEAM		1	OR
60	7895140111	..LOCK V83014 OPT TO H1000C1A50WL MADE BY V83014		1	OR
70	TB10 74000120	..HOOK		4	OR
90	5111943325	.SCREW		2	
100	5706039290	.WASHER OPT TO 23116AD060L MADE BY VF0111		2	R
110	TB10 09001119	.SPACER		2	
120	5701039290	.WASHER OPT TO 23111AD060L MADE BY VF0111		2	R
130	5401458300	.NUT OPT TO E25412B60QQVAL MADE BY VF0110		2	R
140	TB10 74014201	.REAR BACKREST BLUE		1	OR
-140A	TB10 74014301	.REAR BACKREST BROWN		1	OR
150	TB10 74013201	.REAR SEATPAN BLUE		1	OR
-150A	TB10 74013301	.REAR SEATPAN BROWN		1	OR
160	TB10 74000123	.STOP		2	OR
170	TB10 74000126	.REAR SEAT FRONT SUPPORT		1	
180	TB10 74000205	.FRONT SUPPORT UPHOLSTERING BLUE		1	OR
190	TB10 74000305	.FRONT SUPPORT UPHOLSTERING BROWN		1	OR
200	7193144401	.BUSHING V83014 OPT TO HN5G51-1 NYLATCH MADE BY V83014		8	
210	7193144403	.PUSHBUTTON V83014 OPT TO HN5P52-1-1 NYLATCH MADE BY V83014		8	
		* * *			

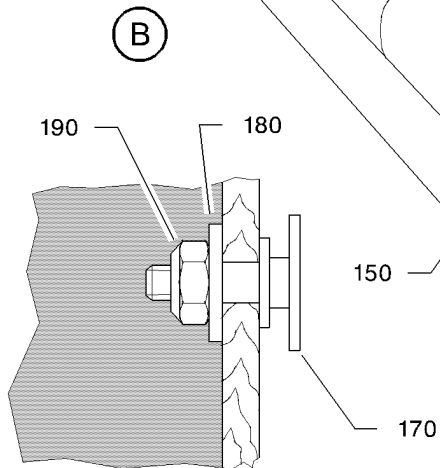
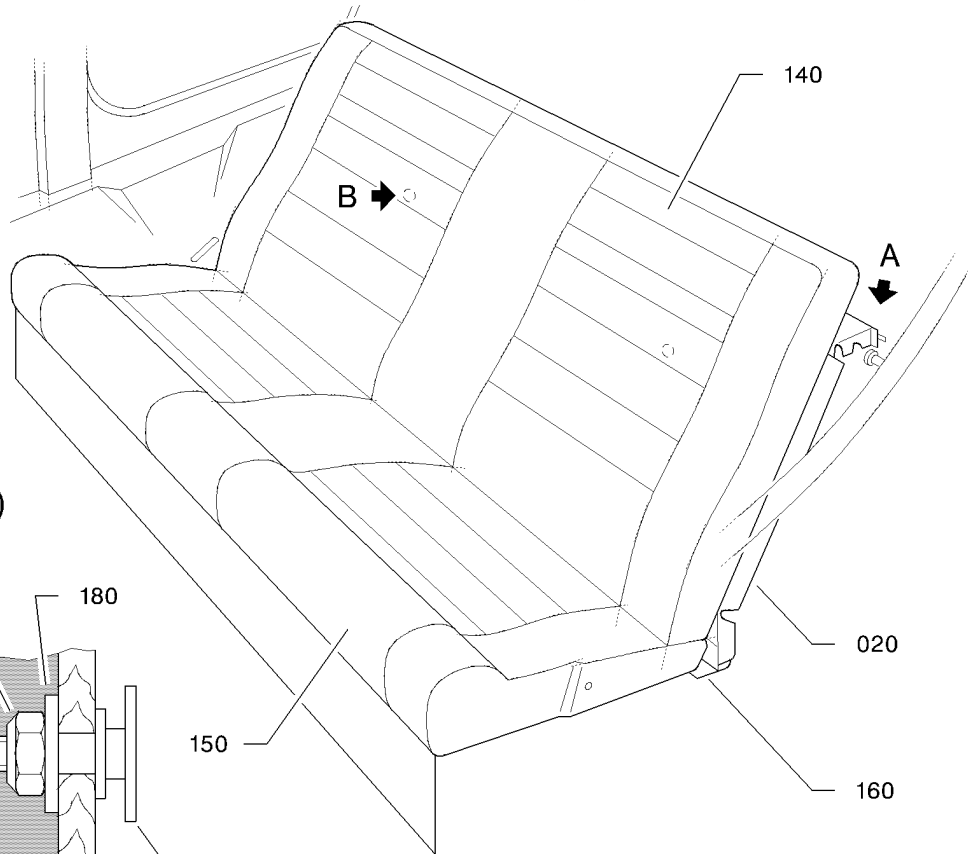
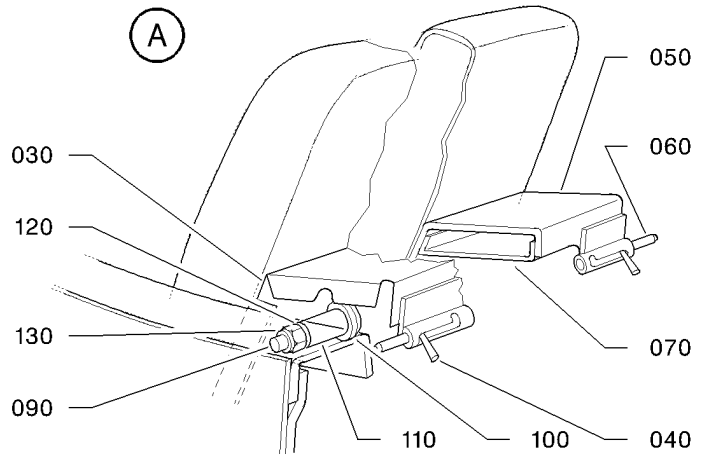
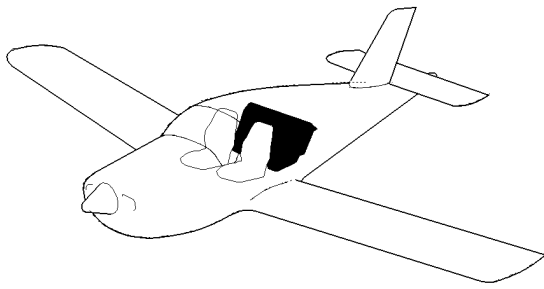
- ITEM NOT ILLUSTRATED

25-12-00

FIG. 1

PAGE 1

NOV 30/18



REAR BENCH
FIGURE 1A

25-12-00

FIG. 1A

PAGE 0 R

NOV 30/18

FIG.ITEM	PART NUMBER	1234567 	NOMENCLATURE	EFFECT FROM TO	UNITS PER ASSY	OBS
1A- 1	TB25-12-00-01A-001		REAR BENCH		RF	
20	TB10 74000001		.REAR BACKREST ASSY		1	
30	TB10 74000114		..REAR BACKREST		1	OR
40	7895140107		..LOCK V83014 OPT TO H1000C1A50WR MADE BY V83014		1	OR
50	TB10 74000116		..CROSSBEAM		1	OR
60	7895140111		..LOCK V83014 OPT TO H1000C1A50WL MADE BY V83014		1	OR
70	TB10 74000136		..CROSSBEAM REINFORCEMENT PART		1	OR
90	5111943325		.SCREW		2	
100	5706039290		.WASHER OPT TO 23116AD060L MADE BY VF0111		2	R
110	TB10 09001119		.SPACER		2	
120	5701039290		.WASHER OPT TO 23111AD060L MADE BY VF0111		2	R
130	5401458300		.NUT OPT TO E25412B60QQVAL MADE BY VF0110		2	R
140	TB09 74012205		.REAR BACKREST BLUE		1	OR
-140A	TB09 74012305		.REAR BACKREST BROWN		1	OR
150	TB09 74012203		.REAR SEATPAN BLUE		1	OR
-150A	TB09 74012303		.REAR SEATPAN BROWN		1	OR
160	TB10 74000123		.STOP		2	OR
170	TB10 74012118		.ATTACHMENT PIN ATTACHING PARTS		2	OR
180	5706039240		.WASHER OPT TO 23116AD050L MADE BY VF0111		2	R
190	5401458239		.NUT OPT TO E25412B50QQVAL MADE BY VF0110 * * *		2	R

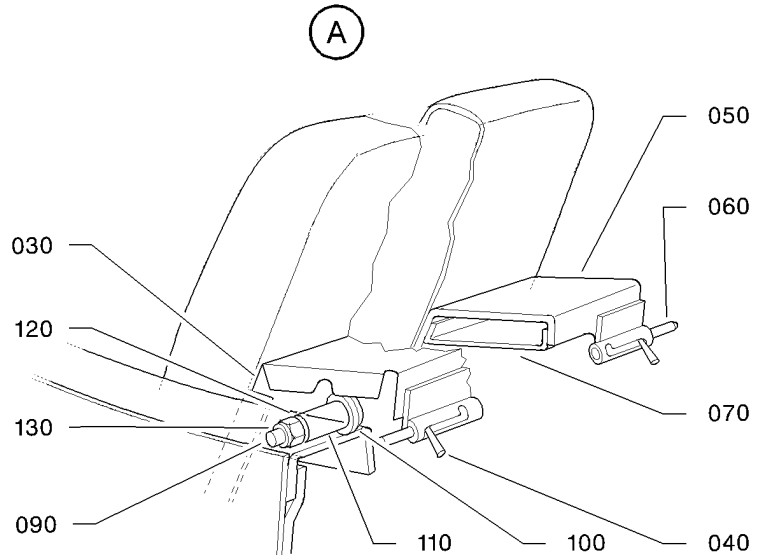
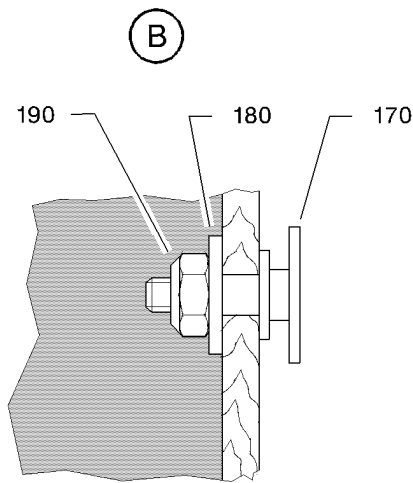
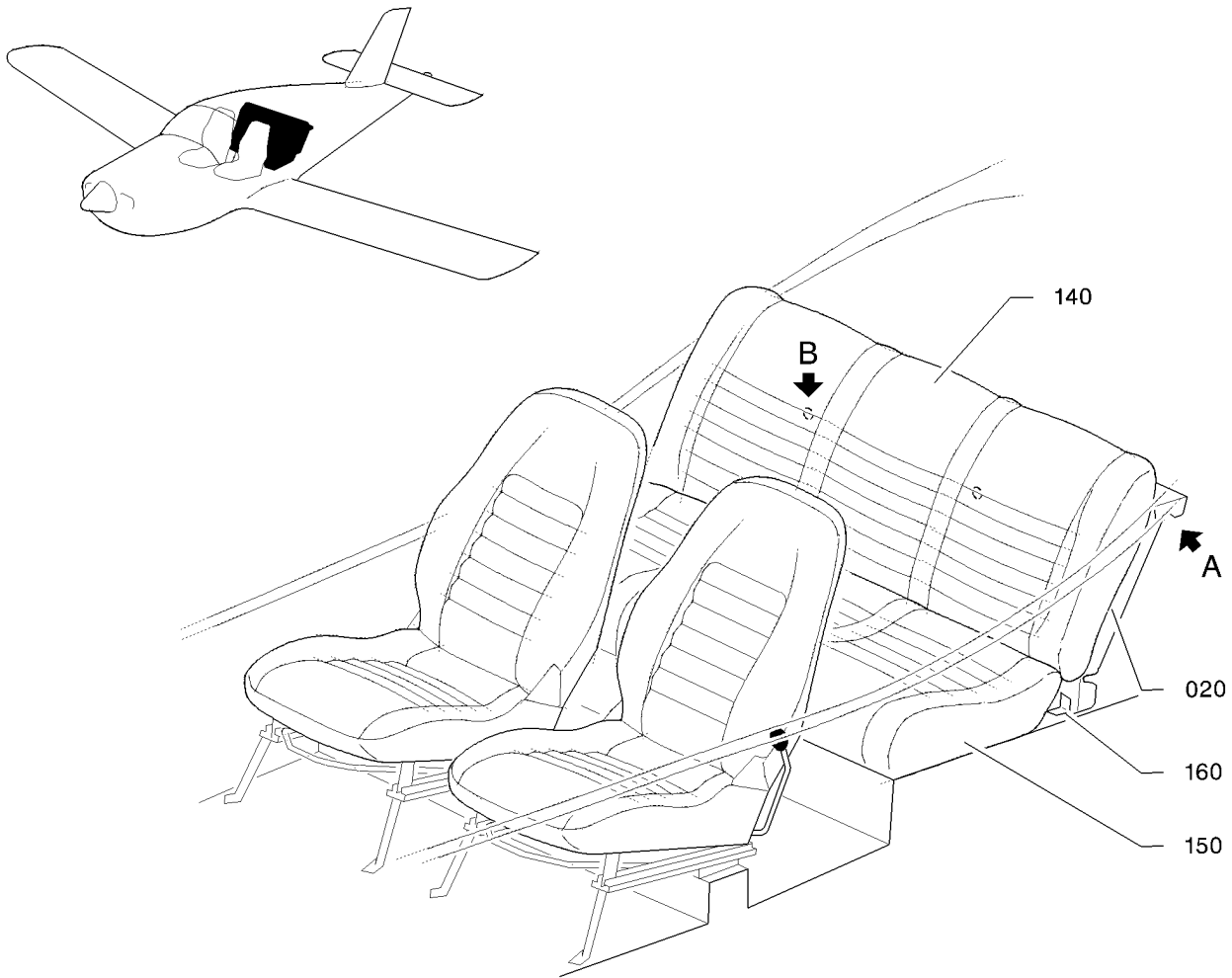
- ITEM NOT ILLUSTRATED

25-12-00

FIG. 1A

PAGE 1

NOV 30/18



I4251200AAAFVZ4300

REAR BENCH
FIGURE 1B

25-12-00

FIG. 1B

PAGE 0 R

NOV 30/18

FIG.ITEM	PART NUMBER	1234567 	NOMENCLATURE	EFFECT FROM TO	UNITS PER ASSY	OBS
1B- 1	TF25-12-00-01B-001		REAR BENCH		RF	
20	TB10 74000001		.REAR BACKREST ASSY		1	
30	TB10 74000114		..REAR BACKREST		1	OR
40	7895140107		..LOCK V83014 OPT TO H1000C1A50WR MADE BY V83014		1	OR
50	TB10 74000116		..CROSSBEAM		1	OR
60	7895140111		..LOCK V83014 OPT TO H1000C1A50WL MADE BY V83014		1	OR
70	TB10 74000136		..CROSSBEAM REINFORCEMENT PART		1	OR
90	5111943325		.SCREW		2	
100	5706039290		.WASHER OPT TO 23116AD060L MADE BY VF0111		2	R
110	TB10 09001119		.SPACER		2	
120	5701039290		.WASHER OPT TO 23111AD060L MADE BY VF0111		2	R
130	5401458300		.NUT OPT TO E25412B60QQVAL MADE BY VF0110		2	R
140	TB10 74016502		.REAR BACKREST "CENDRE" RPLD BY TB10 74027502 + OPT10 915100		1	OR R
-140A	TB10 74016602		.REAR BACKREST S/N 588 - 764, 766 - 804, "SABLE" RPLD BY TB10 74027602 + OPT10 915100		1	OR R
150	TB10 74016501		.REAR SEATPAN "CENDRE" RPLD BY TB10 74027501		1	OR R
-150A	TB10 74016601		.REAR SEATPAN S/N 588 - 764, 766 - 804, "SABLE" RPLD BY TB10 74027601		1	OR R
160	TB10 74000123		.STOP		2	OR
170	TB09 74012118		.ATTACHMENT PIN ATTACHING PARTS		2	OR
180	5706039240		.WASHER OPT TO 23116AD050L MADE BY VF0111		2	R

- ITEM NOT ILLUSTRATED

25-12-00

FIG. 1B

PAGE 1

NOV 30/18

STD, S/N 588 - 804

FIG. ITEM	PART NUMBER	NOMENCLATURE	EFFECT FROM TO	UNITS PER ASSY	OBS
1B 190	5401458239	1234567 .NUT OPT TO E25412B50QQVAL MADE BY VF0110 * * *		2	R

- ITEM NOT ILLUSTRATED

25-12-00

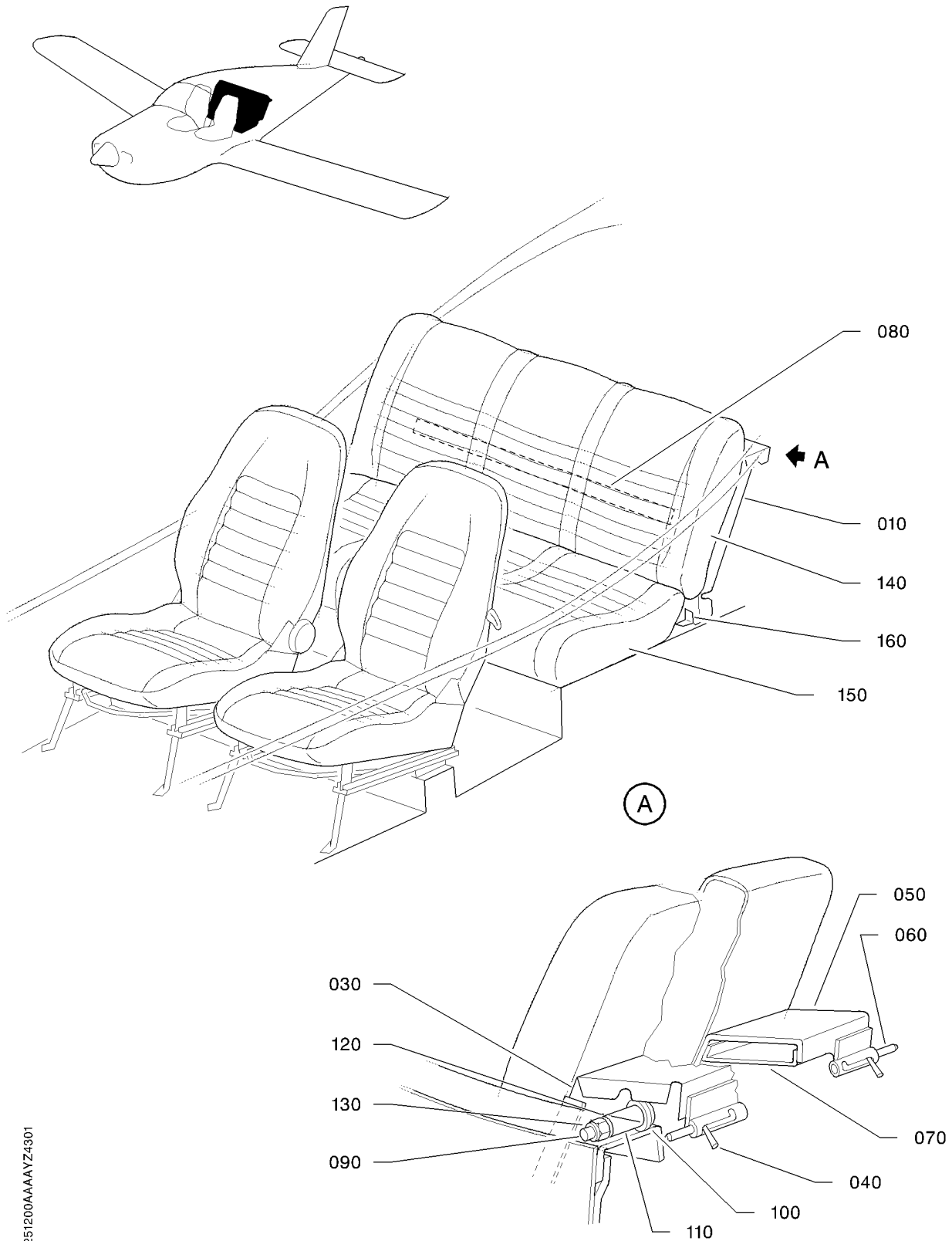
FIG. 1B

PAGE 2

NOV 30/18

STD, S/N 588 - 804

PAGE INTENTIONALLY BLANK



14251200AAAAYZ4301

REAR BENCH
FIGURE 1C

25-12-00

FIG. 1C

PAGE 0 R

NOV 30/18

FIG.ITEM	PART NUMBER	1234567 	NOMENCLATURE	EFFECT FROM TO	UNITS PER ASSY	OBS
1C- 1	TF25-12-00-01C-001		REAR BENCH		RF	
10	TB10 74071000		.REAR BACKREST ASSY		1	
30	TB10 74000114		..REAR BACKREST		1	OR
40	7895140107		..LOCK V83014 OPT TO H1000C1A50WR MADE BY V83014		1	OR
50	TB10 74000116		..CROSSBEAM		1	OR
60	7895140111		..LOCK V83014 OPT TO H1000C1A50WL MADE BY V83014		1	OR
70	TB10 74000136		..CROSSBEAM REINFORCEMENT PART		1	OR
80	TB10 74071101		..STIFFENER		1	
90	5111943325		.SCREW		2	
100	5706039290		.WASHER OPT TO 23116AD060L MADE BY VF0111		2	R
110	TB10 09001119		.SPACER		2	
120	5701039290		.WASHER OPT TO 23111AD060L MADE BY VF0111		2	R
130	5401458300		.NUT OPT TO E25412B60QQVAL MADE BY VF0110		2	R
140	TB10 74027502		.REAR BACKREST S/N 805 - 905, 907 - 916, 918 - 926, 948 - 952, "CENDRE"		1	R
-140A	TB10 74027804		.REAR BACKREST S/N 906, 917, 927 - 947, 953 - 1709, "BLUE ALCANTARA"		1	R
-140B	TB10 74107802		.REAR BACKREST S/N 1710 - 9999 BLUE, MODEL 95		1	
150	TB10 74027501		.REAR SEATPAN S/N 805 - 905, 907 - 916, 918 - 926, 948 - 952, "CENDRE"		1	R
-150A	TB10 74027803		.REAR SEATPAN S/N 906, 917, 927 - 947, 953 - 1709, "BLUE ALCANTARA"		1	R
-150B	TB10 74107801		.REAR SEATPAN S/N 1710 - 9999 BLUE, MODEL 95		1	
160	TB10 74000123		.STOP		2	OR

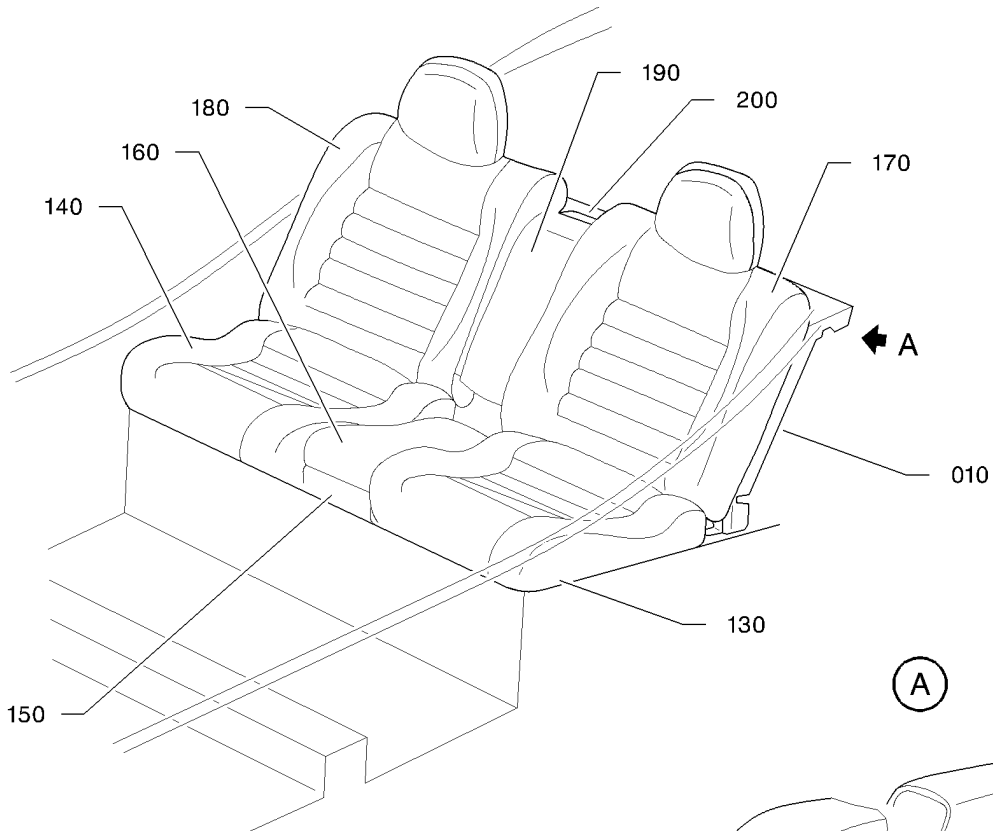
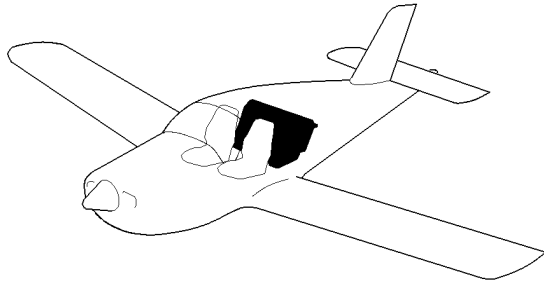
- ITEM NOT ILLUSTRATED

25-12-00

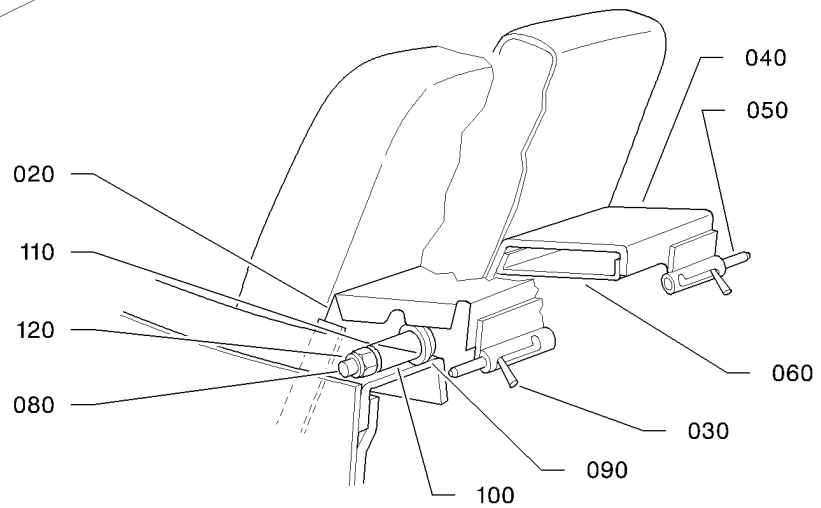
FIG. 1C

PAGE 1

NOV 30/18



(A)



REAR BENCH
FIGURE 1D

25-12-00

FIG. 1D

PAGE 0 R

NOV 30/18

FIG.ITEM	PART NUMBER	1234567 	NOMENCLATURE	EFFECT FROM TO	UNITS PER ASSY	OBS
1D- 1	TF25-12-00-01D-001		REAR BENCH		RF	
10	TB10 74071000		.REAR BACKREST ASSY		1	
20	TB10 7400015900		..REAR BACKREST		1	OR
30	7895140107		..LOCK V83014 OPT TO H1000C1A50WR MADE BY V83014		1	OR
40	TB10 74000116		..CROSSBEAM		1	OR
50	7895140111		..LOCK V83014 OPT TO H1000C1A50WL MADE BY V83014		1	OR
60	TB10 74000136		..CROSSBEAM REINFORCEMENT PART		1	OR
- 70	TB10 74071101		..STIFFENER		1	
80	5111943325		.SCREW		2	
90	5706039290		.WASHER OPT TO 23116AD060L MADE BY VF0111		2	R
100	TB10 09001119		.SPACER		2	
110	5701039290		.WASHER OPT TO 23111AD060L MADE BY VF0111		2	R
120	5401458300		.NUT OPT TO E25412B60QQVAL MADE BY VF0110		2	R
130	TB10 7420400130		.L.H. REAR SEATPAN BLUE		1	
-130A	TB10 7420400120		.L.H. REAR SEATPAN "FICELLE" RPLS 7922791820		1	R
140	TB10 7420400230		.R.H. REAR SEATPAN BLUE		1	
-140A	TB10 7420400220		.R.H. REAR SEATPAN "FICELLE"		1	R
150	TB10 7420410430		.GLOVE COMPARTMENT ASSY BLUE		1	
-150A	TB10 7420410420		.GLOVE COMPARTMENT ASSY "FICELLE"		1	R
160	TB10 7420400530		.CENTRAL SEATPAN CUSHION BLUE		1	
-160A	TB10 7420400520		.CENTRAL SEATPAN CUSHION "FICELLE"		1	R
170	TB10 7420400330		.L.H. REAR BACKREST BLUE		1	
-170A	TB10 7420400320		.L.H. REAR BACKREST "FICELLE"		1	R
180	TB10 7420400430		.R.H. REAR BACKREST BLUE		1	

- ITEM NOT ILLUSTRATED

25-12-00

FIG. 1D

PAGE 1

NOV 30/18

FIG.ITEM	PART NUMBER	NOMENCLATURE		EFFECT FROM TO	UNITS PER ASSY	OBS
		1234567 				
1D-180A	TB10 7420400420		.R.H. REAR BACKREST "FICELLE"		1	R
190	TB10 7420410530		.ARMREST BLUE		1	
-190A	TB10 7420410520		.ARMREST "FICELLE"		1	R
200	TB10 7420410630		.CENTRAL BACKREST CUSHION SUPPORT BLUE		1	
-200A	TB10 7420410620		.CENTRAL BACKREST CUSHION SUPPORT "FICELLE"		1	R

- ITEM NOT ILLUSTRATED

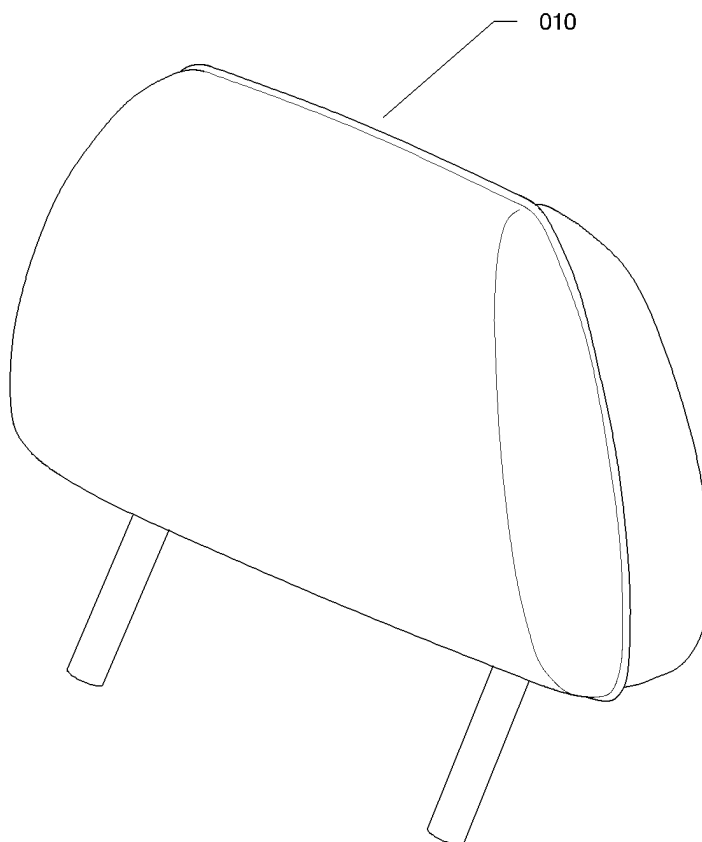
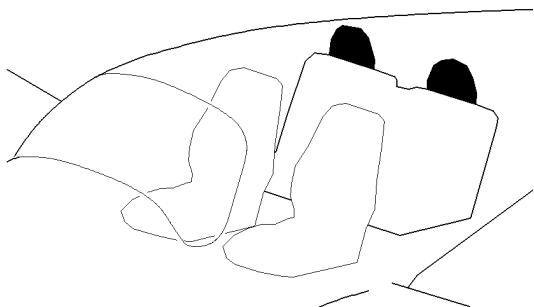
25-12-00

FIG. 1D

PAGE 2

NOV 30/18

PAGE INTENTIONALLY BLANK



I4251100AAA EVZ14301

HEAD-REST
FIGURE 2

25-12-00

FIG. 2
PAGE 0 R

NOV 30/18

FIG.ITEM	PART NUMBER	NOMENCLATURE	EFFECT FROM TO	UNITS PER ASSY	OBS
2 - 1 10	TF25-12-00-02-001 TB10 74936812	1234567 HEAD-REST .HEADREST BLUE		RF 2	
- 10A	TB10 74936912	.HEADREST "FICELLE"		2	R

- ITEM NOT ILLUSTRATED

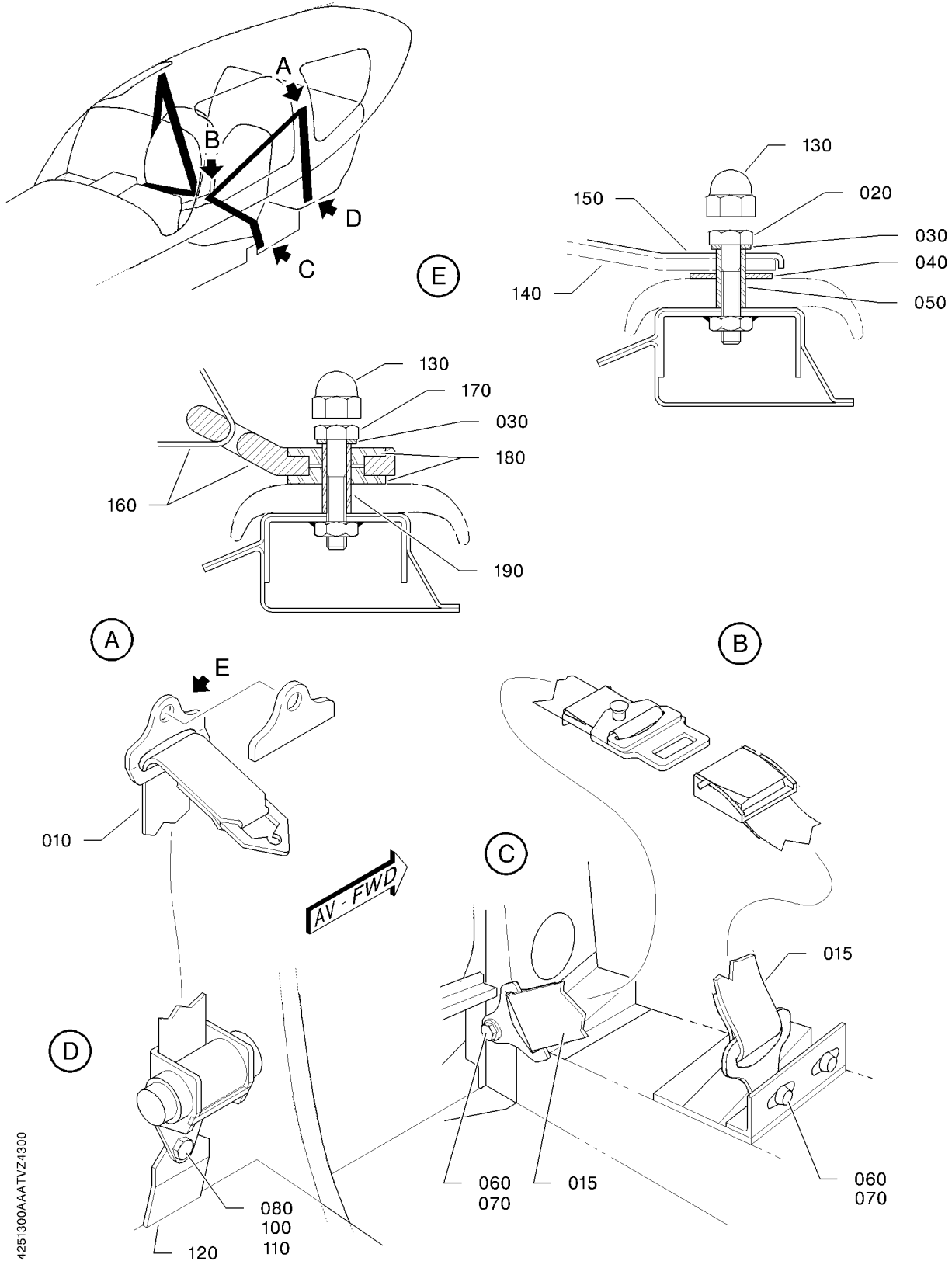
25-12-00

FIG. 2

PAGE 1

NOV 30/18

S/N 1 - 9999 POST-MOD. 151



I4251300AAA TVZ4300

SAFETY HARNESSES AND BELTS - FRONT BELTS
FIGURE 1

25-13-00

FIG. 1
PAGE 0 R
NOV 30/18

FIG.ITEM	PART NUMBER	NOMENCLATURE		EFFECT FROM TO	UNITS PER ASSY	OBS
		1234567 				
1 - 1	TB25-13-00-01-001		SAFETY HARNESSSES AND BELTS - FRONT BELTS		RF	
10	6068707222		.BELT OPT TO PN107119-59 MADE BY V45402 BROWN, PACIFIC SCIENTIFIC RPLD BY TB10 79013104		2	OR R
- 10A	6068707223		.BELT OPT TO PN107119-57 MADE BY V45402 BLUE, PACIFIC SCIENTIFIC RPLD BY TB10 79013104		2	OR R
15	6068707220		.VENTRAL BELT OPT TO PN108168-19 MADE BY V45402 BROWN, PACIFIC SCIENTIFIC RPLD BY TB10 79013104		2	OR R
- 15A	6068707221		.VENTRAL BELT OPT TO PN108168-13 MADE BY V45402 BLUE, PACIFIC SCIENTIFIC RPLD BY TB10 79013104		2	OR R
20	5101229330		ATTACHING PARTS .BOLT WITH PACIFIC SCIENTIFIC BELT		2	
30	5701039290		.WASHER OPT TO 23111AD060L MADE BY VF0111		2	R
40	5706039365		.WASHER OPT TO 23116AD080L MADE BY VF0111 WITH PACIFIC SCIENTIFIC BELT		2	R
50	TB10 09001126		.SPACER WITH PACIFIC SCIENTIFIC BELT		2	OR
60	5101229298		.BOLT		4	R
70	5706039290		.WASHER OPT TO 23116AD060L MADE BY VF0111		4	R
80	5101229478		.BOLT		2	
100	5701039365		.WASHER OPT TO 23111AD080L MADE BY VF0111		2	R
110	5401458376		.NUT OPT TO E25412B80QQVAL MADE BY VF0110		2	R
120	TB10 79021100		* * * .REEL SUPPORT		2	

- ITEM NOT ILLUSTRATED

25-13-00

FIG. 1

PAGE 1

NOV 30/18

FIG.ITEM	PART NUMBER	1234567 	NOMENCLATURE	EFFECT FROM TO	UNITS PER ASSY	OBS
1 130	7130241069		.COVER VF6069 OPT TO 1069 MADE BY VF6069		2	
140	TB10 79020001		.RING		2	
150	TB10 79020101		.COVER		2	
160	TB10 79013104		.ONE-PIECE FASTENER BELT SECURAIGLON RPLD BY TB10 79013105		AR	R
-160A	TB10 79013105		.BELT ANJOU AERO RPLS TB10 79013104		2	R
-164	TB10 79013126		..VENTRAL BELT ANJOU AERO		1	R
-167	TB10 79013125		..REEL BELT ANJOU AERO ATTACHING PARTS		1	R
170	5101229335		..BOLT WITH ONE-PIECE FASTENER SECURAIGLON BELT		1	R
180	TB10 09069101		..WASHER WITH ONE-PIECE FASTENER SECURAIGLON BELT		2	R
190	TB10 09001150		..SPACER WITH ONE-PIECE FASTENER SECURAIGLON BELT * * *		1	R

- ITEM NOT ILLUSTRATED

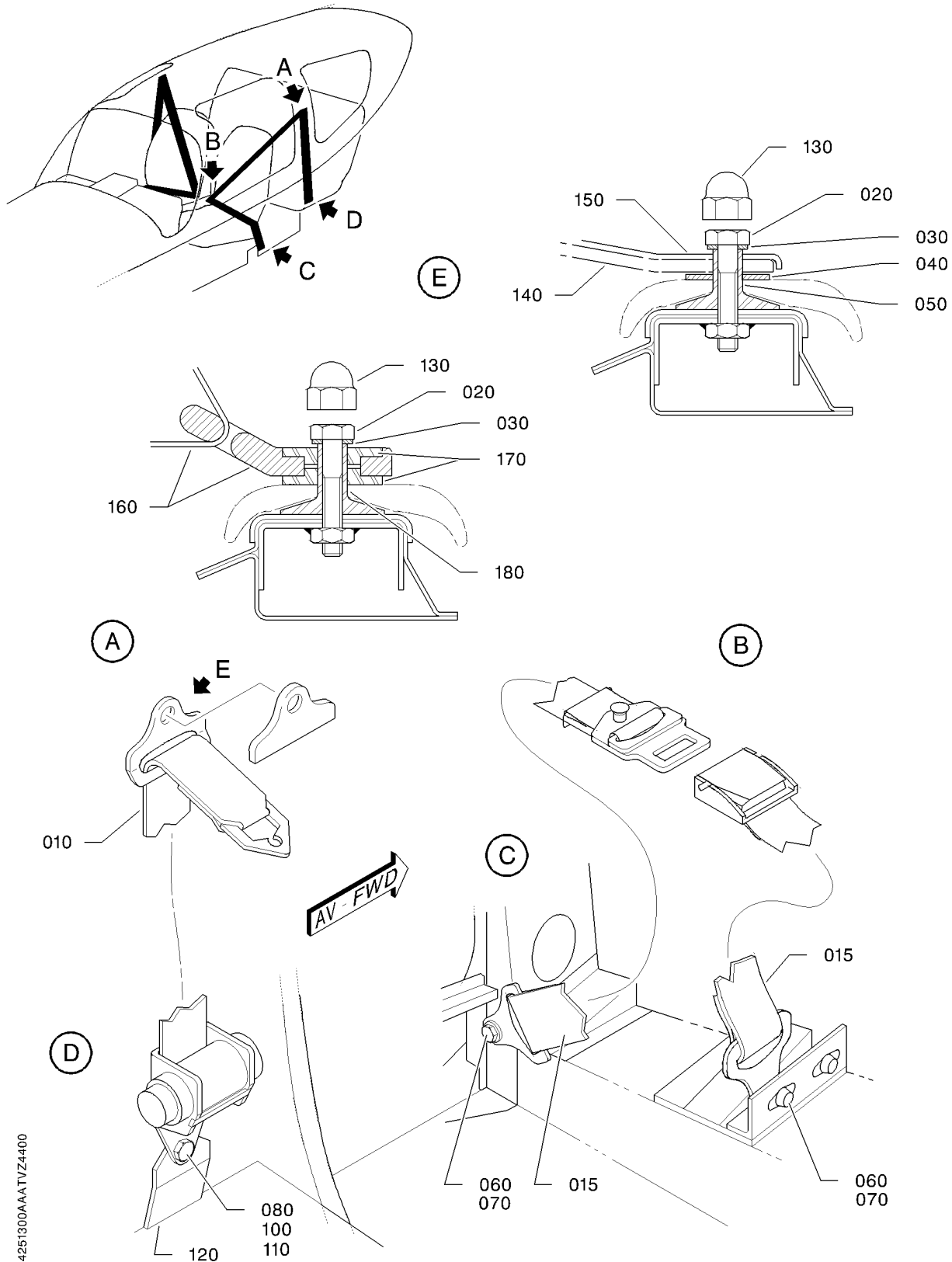
25-13-00

FIG. 1

PAGE 2

NOV 30/18

PAGE INTENTIONALLY BLANK



I4251300AAAATVZ4400

SAFETY HARNESSES AND BELTS - FRONT BELTS
FIGURE 1A

25-13-00

FIG. 1A

PAGE 0 R

NOV 30/18

FIG.ITEM	PART NUMBER	1234567 	NOMENCLATURE	EFFECT FROM TO	UNITS PER ASSY	OBS
1A- 1	TB25-13-00-01A-001		SAFETY HARNESSSES AND BELTS - FRONT BELTS		RF	
10	6068707222		.BELT OPT TO PN107119-59 MADE BY V45402 BROWN, PACIFIC SCIENTIFIC RPLD BY TB10 79013104		2	OR R
- 10A	6068707223		.BELT OPT TO PN107119-57 MADE BY V45402 BLUE, PACIFIC SCIENTIFIC RPLD BY TB10 79013104		2	OR R
15	6068707220		.VENTRAL BELT OPT TO PN108168-19 MADE BY V45402 BROWN, PACIFIC SCIENTIFIC RPLD BY TB10 79013104		2	OR R
- 15A	6068707221		.VENTRAL BELT OPT TO PN108168-13 MADE BY V45402 BLUE, PACIFIC SCIENTIFIC RPLD BY TB10 79013104		2	OR R
20	5101229335		ATTACHING PARTS .BOLT		2	
30	5701039290		.WASHER OPT TO 23111AD060L MADE BY VF0111		2	R
40	5706039365		.WASHER OPT TO 23116AD080L MADE BY VF0111 WITH PACIFIC SCIENTIFIC BELT		2	R
50	TB10 09190101		.SHOULDERED SPACER WITH PACIFIC SCIENTIFIC BELT		2	
60	5101229298		.BOLT		4	R
70	5706039290		.WASHER OPT TO 23116AD060L MADE BY VF0111		4	R
80	5101229478		.BOLT		2	
100	5701039365		.WASHER OPT TO 23111AD080L MADE BY VF0111		2	R
110	5401458376		.NUT OPT TO E25412B80QQVAL MADE BY VF0110		2	R
120	TB10 79021100		* * * .REEL SUPPORT		2	

- ITEM NOT ILLUSTRATED

25-13-00

FIG. 1A

PAGE 1

NOV 30/18

FIG. ITEM	PART NUMBER	NOMENCLATURE		EFFECT FROM TO	UNITS PER ASSY	OBS
		1234567 				
1A 130	7130241069		.COVER OPT TO 1069 MADE BY VF6069		2	R
140	TB10 79020001		.RING		2	
150	TB10 79020101		.COVER		2	
160	TB10 79013104		.ONE-PIECE FASTENER BELT SECURAIGLON RPLD BY TB10 79013105		AR	R
-160A	TB10 79013105		.BELT ANJOU AERO RPLS TB10 79013104		2	R
-164	TB10 79013126		..VENTRAL BELT ANJOU AERO		1	R
-167	TB10 79013125		..REEL BELT ANJOU AERO		1	R
170	TB10 09069101		ATTACHING PARTS ..WASHER WITH ONE-PIECE FASTENER SECURAIGLON BELT		2	R
180	TB10 09190100		..SHOULDERED SPACER WITH ONE-PIECE FASTENER SECURAIGLON BELT * * *		1	R

- ITEM NOT ILLUSTRATED

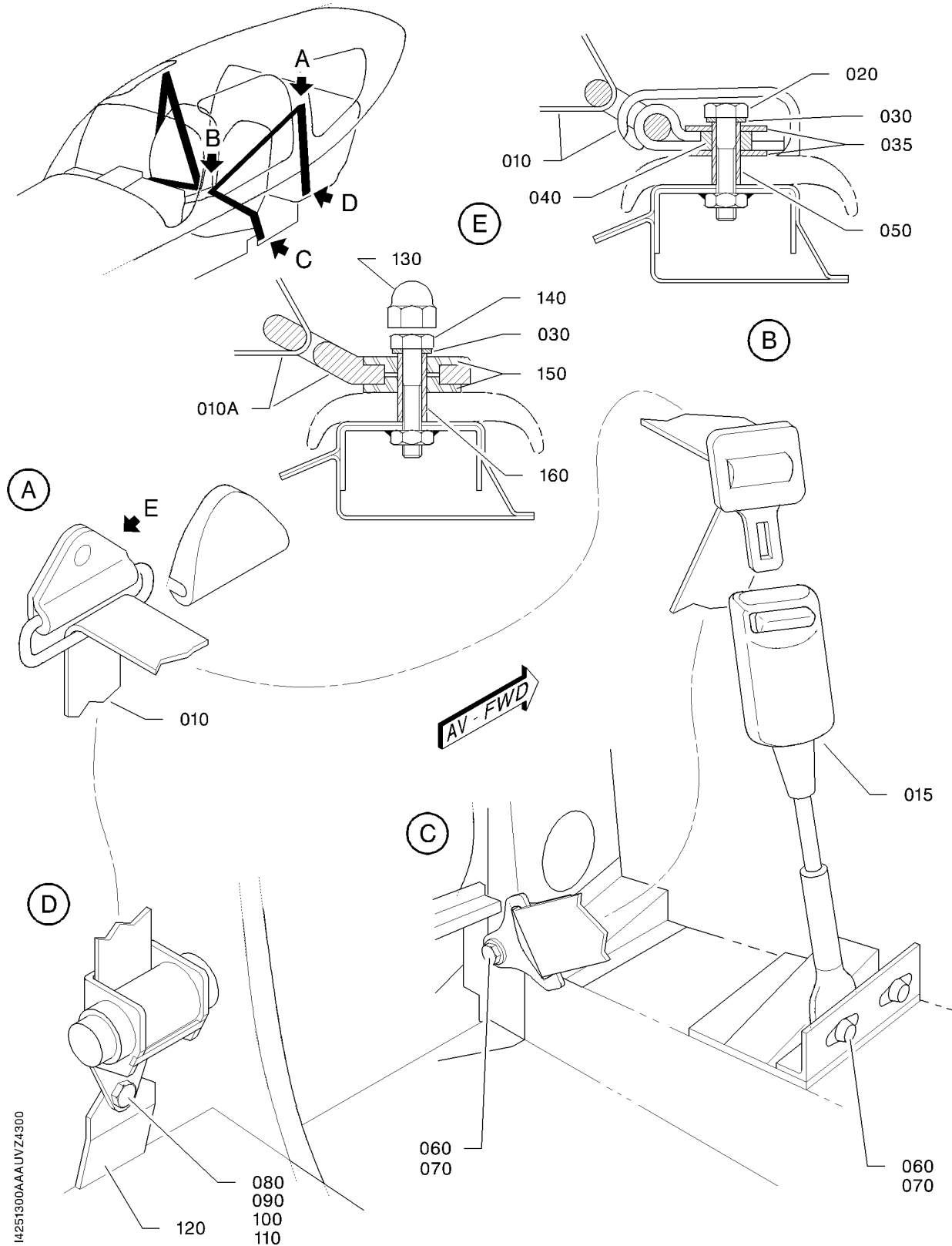
25-13-00

FIG. 1A

PAGE 2

NOV 30/18

PAGE INTENTIONALLY BLANK



I4251300AAAUVZ4300

SAFETY HARNESSES AND BELTS - FRONT BELTS
FIGURE 1B

25-13-00

FIG. 1B

PAGE 0 R

NOV 30/18

FIG.ITEM	PART NUMBER	NOMENCLATURE	EFFECT FROM TO	UNITS PER ASSY	OBS
1B- 1	TB25-13-00-01B-001	SAFETY HARNESSSES AND BELTS - FRONT BELTS		RF	
10	TB10 79013100	.BELT SECURAIGLON RPLD BY TB10 79013104		2	OR
10A	TB10 79013104	.ONE-PIECE FASTENER BELT SECURAIGLON RPLS TB10 79013100 RPLD BY TB10 79013105		AR	R
- 10B	TB10 79013105	.BELT ANJOU AERO RPLS TB10 79013104		2	R
15	7018154701	..BELT FASTENER WITH BELT TB10 79013104		1	
- 16	TB10 79013126	..VENTRAL BELT ANJOU AERO WITH BELT TB10 79013105		1	R
- 17	TB10 79013125	..REEL BELT ANJOU AERO WITH BELT TB10 79013105 ATTACHING PARTS		1	R
20	5101229330	..BOLT WITH SECURAIGLON BELT		2	
30	5701039290	..WASHER OPT TO 23111AD060L MADE BY VF0111		2	R
35	5706039365	..WASHER OPT TO 23116AD080L MADE BY VF0111 WITH SECURAIGLON BELT		4	R
40	5703389365	..SPACER OPT TO 23119DG080J MADE BY VF0111 WITH SECURAIGLON BELT		2	R
50	TB10 09001126	..SPACER WITH SECURAIGLON BELT		2	OR
60	5101229298	..BOLT		4	R
70	5706039290	..WASHER OPT TO 23116AD060L MADE BY VF0111		4	R
80	5101229478	..BOLT		2	
90	TB10 09001146	..SPACER		2	
100	5701039365	..WASHER OPT TO 23111AD080L MADE BY VF0111		2	R

- ITEM NOT ILLUSTRATED

25-13-00

FIG. 1B

PAGE 1

NOV 30/18

S/N 334 - 587, 589 - 599, 601 - 609, PRE-KIT OPT10 920900 (SB10-103-25)

FIG.ITEM	PART NUMBER	1234567 	NOMENCLATURE	EFFECT FROM TO	UNITS PER ASSY	OBS
1B 110	5401458376		.NUT OPT TO E25412B80QQVAL MADE BY VF0110 * * *		2	R
120	TB10 79021100		.REEL SUPPORT ATTACHING PARTS		2	
130	7130241069		.COVER OPT TO 1069 MADE BY VF6069 WITH ONE-PIECE FASTENER SECURAIGLON BELT		1	R
140	5101229335		.BOLT WITH ONE-PIECE FASTENER SECURAIGLON BELT		1	
150	TB10 09069101		.WASHER WITH ONE-PIECE FASTENER SECURAIGLON BELT		2	
160	TB10 09001150		.SPACER WITH ONE-PIECE FASTENER SECURAIGLON BELT * * *		1	

- ITEM NOT ILLUSTRATED

25-13-00

FIG. 1B

PAGE 2

NOV 30/18

S/N 334 - 587, 589 - 599, 601 - 609, PRE-KIT OPT10 920900 (SB10-103-25)

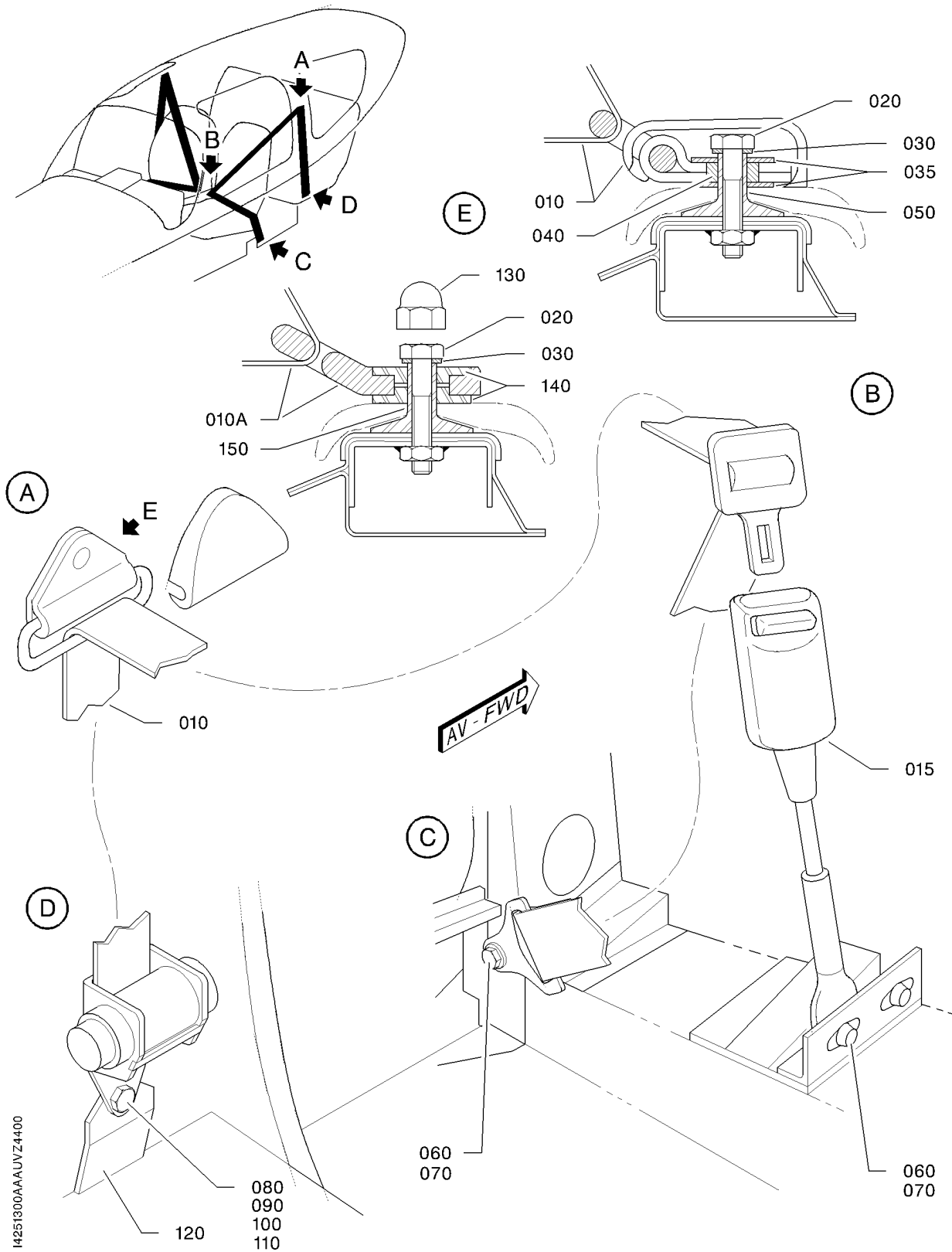
PAGE INTENTIONALLY BLANK

25-13-00

FIG. 1B

PAGE 3 R

NOV 30/18



14251300AAAUVZ4400

SAFETY HARNESSES AND BELTS - FRONT BELTS
FIGURE 1C

25-13-00

FIG. 1C

PAGE 0 R

NOV 30/18

FIG. ITEM	PART NUMBER	1234567 	NOMENCLATURE	EFFECT FROM TO	UNITS PER ASSY	OBS
1C- 1	TB25-13-00-01C-001		SAFETY HARNESSSES AND BELTS - FRONT BELTS		RF	
10	TB10 79013100		.BELT SECURAIGLON RPLD BY TB10 79013104		2	OR
10A	TB10 79013104		.ONE-PIECE FASTENER BELT SECURAIGLON RPLS TB10 79013100 RPLD BY TB10 79013105		AR	R
- 10B	TB10 79013105		.BELT ANJOU AERO RPLS TB10 79013104		2	R
15	7018154701		..BELT FASTENER WITH BELT TB10 79013104		1	
- 16	TB10 79013126		..VENTRAL BELT ANJOU AERO WITH BELT TB10 79013105		1	R
- 17	TB10 79013125		..REEL BELT ANJOU AERO WITH BELT TB10 79013105 ATTACHING PARTS		1	R
20	5101229335		..BOLT		2	
30	5701039290		..WASHER OPT TO 23111AD060L MADE BY VF0111		2	R
35	5706039365		..WASHER OPT TO 23116AD080L MADE BY VF0111 WITH SECURAIGLON BELT		4	R
40	5703389365		..SPACER OPT TO 23119DG080J MADE BY VF0111 WITH SECURAIGLON BELT		2	R
50	TB10 09190101		..SHOULDERED SPACER WITH SECURAIGLON BELT		2	
60	5101229298		..BOLT		4	R
70	5706039290		..WASHER OPT TO 23116AD060L MADE BY VF0111		4	R
80	5101229478		..BOLT		2	
90	TB10 09001146		..SPACER		2	
100	5701039365		..WASHER OPT TO 23111AD080L MADE BY VF0111		2	R

- ITEM NOT ILLUSTRATED

25-13-00

FIG. 1C

PAGE 1

NOV 30/18

S/N 334 - 587, 589 - 599, 601 - 609, POST-KIT OPT10 920900 (SB10-103-25)

FIG.ITEM	PART NUMBER	1234567 	NOMENCLATURE	EFFECT FROM TO	UNITS PER ASSY	OBS
1C 110	5401458376		.NUT OPT TO E25412B80QQVAL MADE BY VF0110 * * *		2	R
120	TB10 79021100		.REEL SUPPORT ATTACHING PARTS		2	
130	7130241069		.COVER OPT TO 1069 MADE BY VF6069 WITH ONE-PIECE FASTENER SECURAIGLON BELT		1	R
140	TB10 09069101		.WASHER WITH ONE-PIECE FASTENER SECURAIGLON BELT		2	
150	TB10 09190100		.SHOULDERED SPACER WITH ONE-PIECE FASTENER SECURAIGLON BELT * * *		1	

- ITEM NOT ILLUSTRATED

25-13-00

FIG. 1C

PAGE 2

NOV 30/18

S/N 334 - 587, 589 - 599, 601 - 609, POST-KIT OPT10 920900 (SB10-103-25)

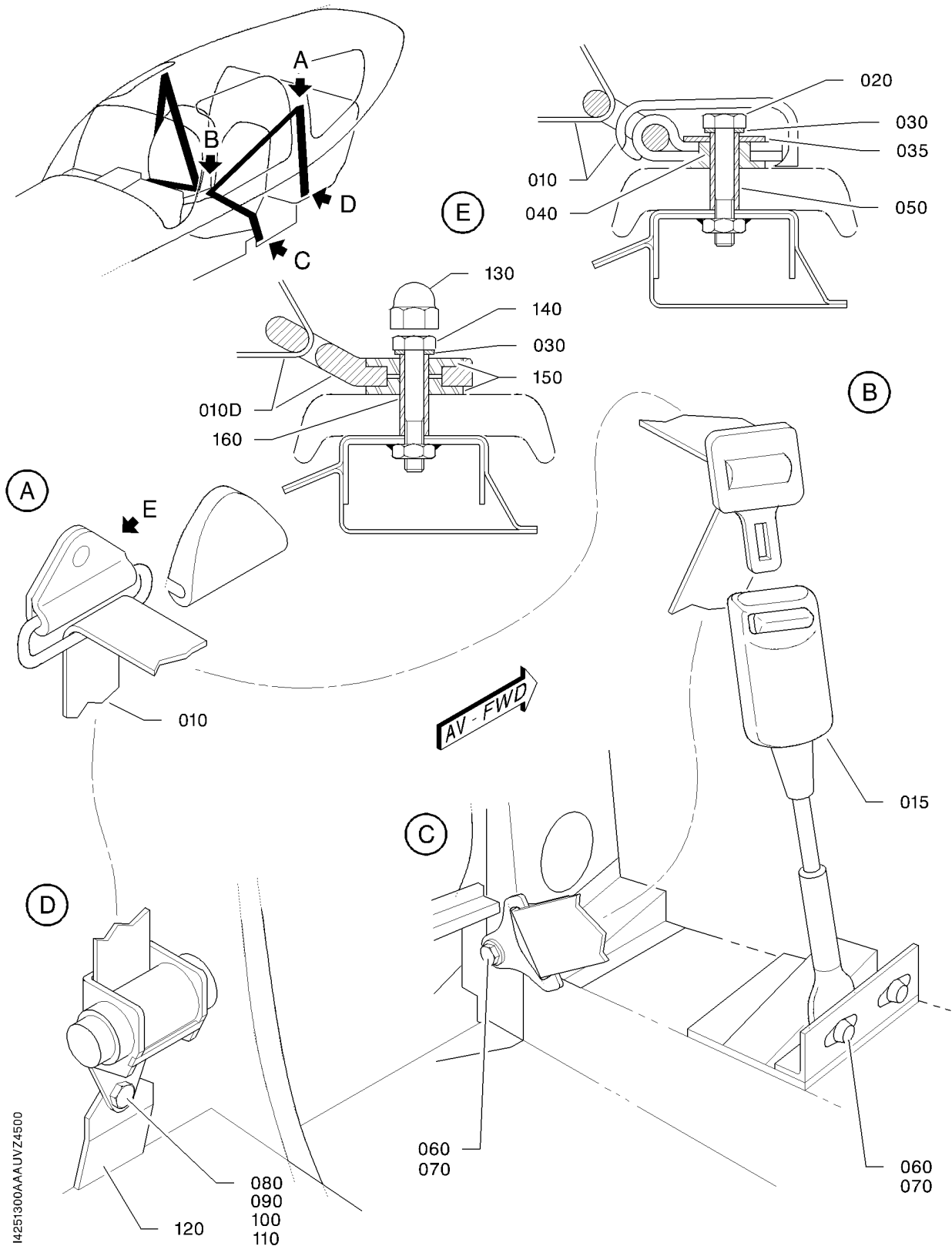
PAGE INTENTIONALLY BLANK

25-13-00

FIG. 1C

PAGE 3 R

NOV 30/18



SAFETY HARNESSES AND BELTS - FRONT BELTS
FIGURE 1D

25-13-00

FIG. 1D

PAGE 0 R

NOV 30/18

FIG.ITEM	PART NUMBER	NOMENCLATURE	EFFECT FROM TO	UNITS PER ASSY	OBS
1D- 1	TB25-13-00-01D-001	SAFETY HARNESSSES AND BELTS - FRONT BELTS		RF	
10	TB10 79013100	.BELT S/N 588, 600, 610 - 822, SECURAIGLON RPLD BY TB10 79013104		2	OR
- 10A	TB10 79013101	.BELT S/N 823 - 841 SECURAIGLON RPLD BY TB10 79013104		2	OR
- 10B	TB10 79013102	.BELT S/N 842 - 890 SECURAIGLON RPLD BY TB10 79013104		2	OR
- 10C	TB10 79013103	.BELT S/N 891 - 966 SECURAIGLON RPLD BY TB10 79013104		2	OR
10D	TB10 79013104	.ONE-PIECE FASTENER BELT SECURAIGLON RPLD BY TB10 79013105		AR	R
- 10E	TB10 79013105	.BELT ANJOU AERO RPLS TB10 79013104		2	R
15	7018154701	..BELT FASTENER WITH BELT TB10 79013103 OR TB10 79013104		1	
- 16	TB10 79013126	..VENTRAL BELT ANJOU AERO WITH BELT TB10 79013105		1	R
- 17	TB10 79013125	..REEL BELT ANJOU AERO WITH BELT TB10 79013105		1	R
20	5101229330	..BOLT WITH SECURAIGLON BELT		2	
30	5701039290	..WASHER OPT TO 23111AD060L MADE BY VFO111		2	R
35	5706039365	..WASHER OPT TO 23116AD080L MADE BY VFO111 WITH SECURAIGLON BELT		2	R
40	TB10 09069100	..SPACER WITH SECURAIGLON BELT		2	
50	TB10 09001145	..SPACER WITH SECURAIGLON BELT		2	
60	5101229298	..BOLT		4	R

- ITEM NOT ILLUSTRATED

25-13-00

FIG. 1D

PAGE 1

NOV 30/18

S/N 588, 600, 610 - 966, WITH UPHOLSTERING, PRE-KIT OPT10 920900 (SB10-103-25)

FIG. ITEM	PART NUMBER	1234567 	NOMENCLATURE	EFFECT FROM TO	UNITS PER ASSY	OBS
1D 70	5706039290		..WASHER OPT TO 23116AD060L MADE BY VF0111		4	R
80	5101229478		..BOLT		2	
90	TB10 09001146		..SPACER		2	
100	5701039365		..WASHER OPT TO 23111AD080L MADE BY VF0111		2	R
110	5401458376		..NUT OPT TO E25412B80QQVAL MADE BY VF0110 * * *		2	R
120	TB10 79021100		.REEL SUPPORT ATTACHING PARTS		2	
130	7130241069		.COVER OPT TO 1069 MADE BY VF6069 WITH ONE-PIECE FASTENER SECURAIGLON BELT		1	R
140	5101229335		.BOLT WITH ONE-PIECE FASTENER SECURAIGLON BELT		1	
150	TB10 09069101		.WASHER WITH ONE-PIECE FASTENER SECURAIGLON BELT		2	
160	TB10 09001150		.SPACER WITH ONE-PIECE FASTENER SECURAIGLON BELT * * *		1	

- ITEM NOT ILLUSTRATED

25-13-00

FIG. 1D

PAGE 2

NOV 30/18

S/N 588, 600, 610 - 966, WITH UPHOLSTERING, PRE-KIT OPT10 920900 (SB10-103-25)

PAGE INTENTIONALLY BLANK

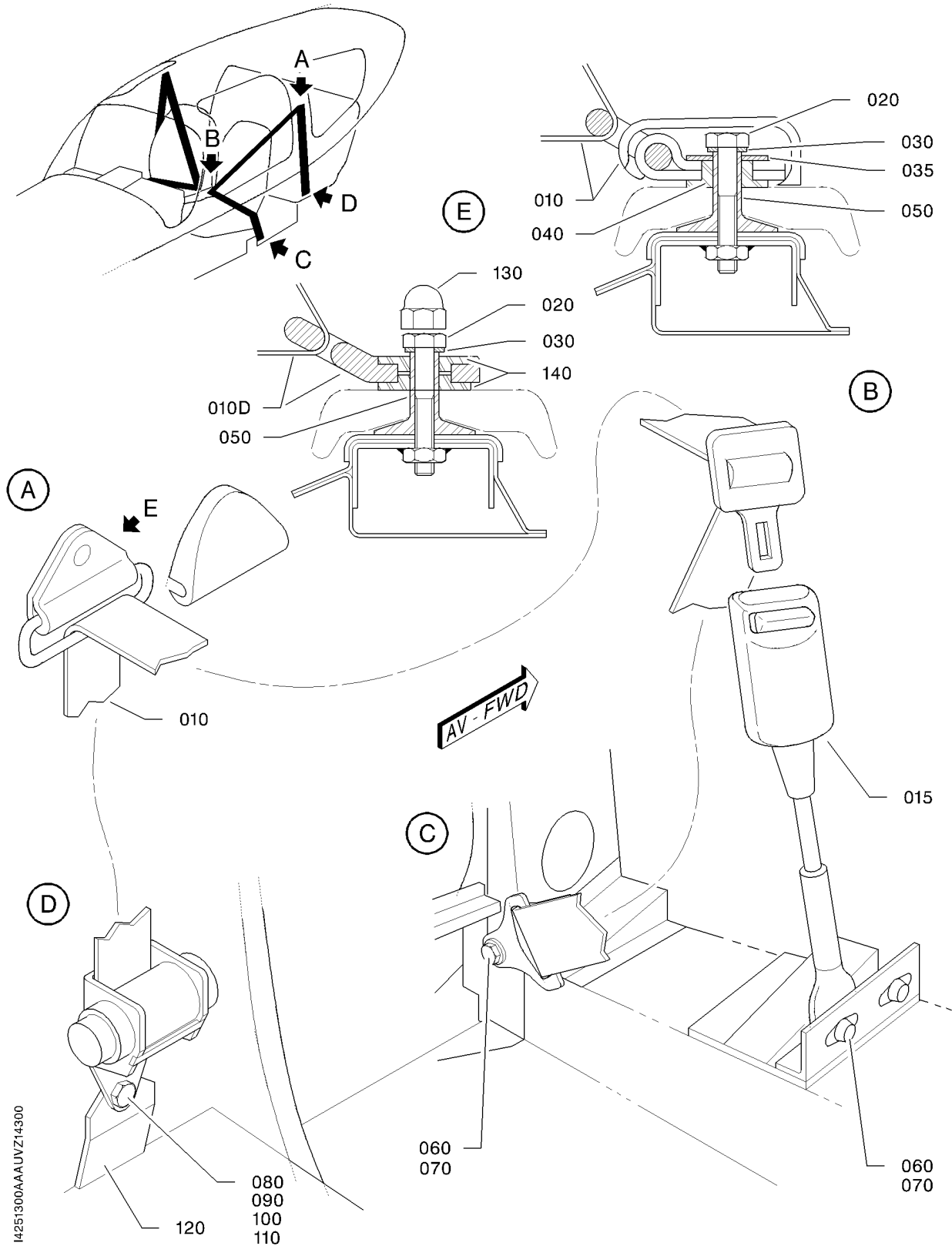
25-13-00

FIG. 1D

PAGE 3 R

NOV 30/18

S/N 588, 600, 610 - 966, WITH UPHOLSTERING, PRE-KIT OPT10 920900 (SB10-103-25)



14251300AAAUVZ14300

SAFETY HARNESSES AND BELTS - FRONT BELTS
FIGURE 1E

25-13-00

FIG. 1E

PAGE 0 R

NOV 30/18

FIG.ITEM	PART NUMBER	1234567 	NOMENCLATURE	EFFECT FROM TO	UNITS PER ASSY	OBS
1E- 1	TB25-13-00-01E-001		SAFETY HARNESSES AND BELTS - FRONT BELTS		RF	
10	TB10 79013100		.BELT S/N 588, 600, 610 - 822, SECURAIGLON RPLD BY TB10 79013104		2	OR
- 10A	TB10 79013101		.BELT S/N 823 - 841 SECURAIGLON RPLD BY TB10 79013104		2	OR
- 10B	TB10 79013102		.BELT S/N 842 - 890 SECURAIGLON RPLD BY TB10 79013104		2	OR
- 10C	TB10 79013103		.BELT S/N 891 - 966 SECURAIGLON RPLD BY TB10 79013104		2	OR
10D	TB10 79013104		.ONE-PIECE FASTENER BELT SECURAIGLON RPLD BY TB10 79013105		AR	R
- 10E	TB10 79013105		.BELT ANJOU AERO RPLS TB10 79013104		2	R
15	7018154701		..BELT FASTENER WITH BELT TB10 79013103 OR TB10 79013104		1	
- 16	TB10 79013126		..VENTRAL BELT ANJOU AERO WITH BELT TB10 79013105		1	R
- 17	TB10 79013125		..REEL BELT ANJOU AERO WITH BELT TB10 79013105 ATTACHING PARTS		1	R
20	5101229335		..BOLT		2	
30	5701039290		..WASHER OPT TO 23111AD060L MADE BY VFO111		2	R
35	5706039365		..WASHER OPT TO 23116AD080L MADE BY VFO111 WITH SECURAIGLON BELT		2	R
40	TB10 09069100		..SPACER WITH SECURAIGLON BELT		2	
50	TB10 09190100		..SHOULDERED SPACER		2	
60	5101229298		..BOLT		4	R
70	5706039290		..WASHER OPT TO 23116AD060L MADE BY VFO111		4	R
80	5101229478		..BOLT		2	

- ITEM NOT ILLUSTRATED

25-13-00

FIG. 1E

PAGE 1

NOV 30/18

S/N 588, 600, 610 - 966, WITH UPHOLSTERING, POST-KIT OPT10 920900 (SB10-103-25)

FIG.ITEM	PART NUMBER	NOMENCLATURE		EFFECT FROM TO	UNITS PER ASSY	OBS
		1234567 				
1E 90 100	TB10 09001146		..SPACER		2	R
	5701039365		..WASHER OPT TO 23111AD080L MADE BY VF0111		2	
110	5401458376		..NUT OPT TO E25412B80QQVAL MADE BY VF0110 * * *		2	R
120	TB10 79021100		.REEL SUPPORT ATTACHING PARTS		2	
130	7130241069		.COVER OPT TO 1069 MADE BY VF6069 WITH ONE-PIECE FASTENER SECURAIGLON BELT		1	R
140	TB10 09069101		.WASHER WITH ONE-PIECE FASTENER SECURAIGLON BELT * * *		2	

- ITEM NOT ILLUSTRATED

25-13-00

FIG. 1E

PAGE 2

NOV 30/18

S/N 588, 600, 610 - 966, WITH UPHOLSTERING, POST-KIT OPT10 920900 (SB10-103-25)

PAGE INTENTIONALLY BLANK

25-13-00

FIG. 1E

PAGE 3 R

NOV 30/18

S/N 588, 600, 610 - 966, WITH UPHOLSTERING, POST-KIT OPT10 920900 (SB10-103-25)

FIG. ITEM	PART NUMBER	NOMENCLATURE	EFFECT FROM TO	UNITS PER ASSY	OBS
1F- 1	TF25-13-00-01F-001	SAFETY HARNESSSES AND BELTS - FRONT BELTS		RF	
10	TB10 79013100	.BELT S/N 588, 600, 610 - 822, SECURAIGLON RPLD BY TB10 79013104		2	OR
- 10A	TB10 79013101	.BELT S/N 823 - 841 SECURAIGLON RPLD BY TB10 79013104		2	OR
- 10B	TB10 79013102	.BELT S/N 842 - 890 SECURAIGLON RPLD BY TB10 79013104		2	OR
- 10C	TB10 79013103	.BELT S/N 891 - 966 SECURAIGLON RPLD BY TB10 79013104		2	OR
10D	TB10 79013104	.ONE-PIECE FASTENER BELT SECURAIGLON RPLS TB10 79013100, TB10 79013101, TB10 79013102 OR TB10 79013103 SUPSD BY TB10 79013105		AR	R
- 10E	TB10 79013105	.BELT SUPSDS TB10 79013104		2	R
15	7018154701	..BELT FASTENER WITH BELT TB10 79013103 OR TB10 79013104		1	
- 16	TB10 79013126	..VENTRAL BELT ANJOU AERO WITH BELT TB10 79013105		1	R
- 17	TB10 79013125	..REEL BELT ANJOU AERO WITH BELT TB10 79013105		1	R
20	5101229310	..BOLT WITH SECURAIGLON BELT		2	
30	5701039290	..WASHER OPT TO 23111AD060L MADE BY VF0111		2	R
35	5706039365	..WASHER OPT TO 23116AD080L MADE BY VF0111 WITH SECURAIGLON BELT		2	R
40	TB10 09069100	..SPACER WITH SECURAIGLON BELT		2	
50	TB10 09001149	..SPACER WITH SECURAIGLON BELT		2	
60	5101229298	..BOLT		4	R

- ITEM NOT ILLUSTRATED

25-13-00

FIG. 1F

PAGE 1

NOV 30/18

S/N 588, 600, 610 - 966, WITHOUT UPHOLSTERING, PRE-KIT OPT10 920900 (SB 10-104-25)

FIG. ITEM	PART NUMBER	NOMENCLATURE		EFFECT FROM TO	UNITS PER ASSY	OBS
		1234567 				
1F 70	5706039290		..WASHER OPT TO 23116AD060L MADE BY VF0111		4	R
80	5101229478		..BOLT		2	
90	TB10 09001146		..SPACER		2	
100	5701039365		..WASHER OPT TO 23111AD080L MADE BY VF0111		2	R
110	5401458376		..NUT OPT TO E25412B80QQVAL MADE BY VF0110 * * *		2	R
120	TB10 79021100		.REEL SUPPORT ATTACHING PARTS		2	
130	7130241069		.COVER OPT TO 1069 MADE BY VF6069 WITH ONE-PIECE FASTENER SECURAIGLON BELT		1	R
140	5101229315		.BOLT WITH ONE-PIECE FASTENER SECURAIGLON BELT		1	R
150	TB10 09069101		.WASHER WITH ONE-PIECE FASTENER SECURAIGLON BELT		2	
160	TB10 09001143		.SPACER WITH ONE-PIECE FASTENER SECURAIGLON BELT * * *		1	

- ITEM NOT ILLUSTRATED

25-13-00

FIG. 1F

PAGE 2

NOV 30/18

S/N 588, 600, 610 - 966, WITHOUT UPHOLSTERING, PRE-KIT OPT10 920900 (SB 10-104-25)

PAGE INTENTIONALLY BLANK

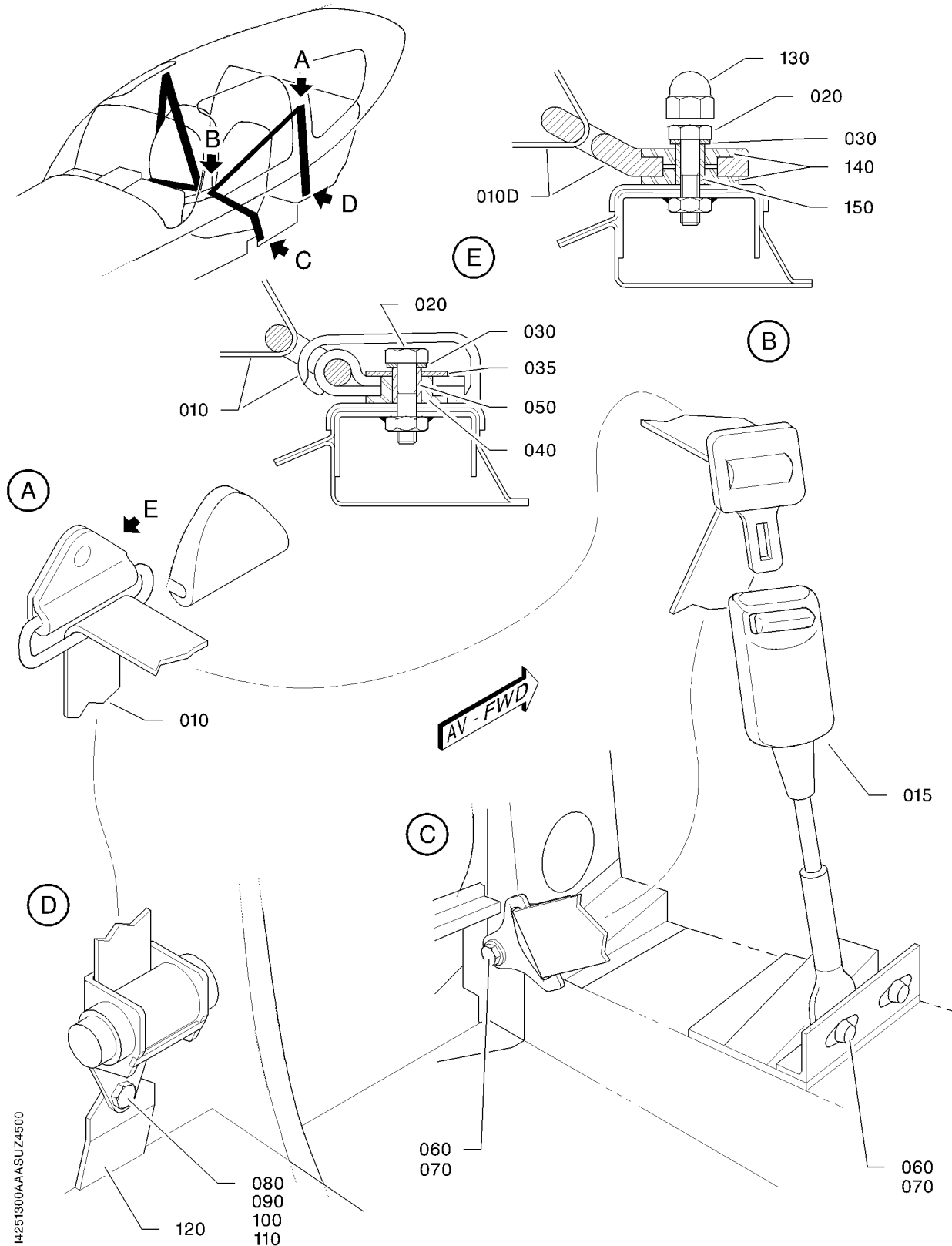
25-13-00

FIG. 1F

PAGE 3 R

NOV 30/18

S/N 588, 600, 610 - 966, WITHOUT UPHOLSTERING, PRE-KIT OPT10 920900 (SB 10-104-25)



14251300AAASUZ4500

SAFETY HARNESSES AND BELTS - FRONT BELTS
FIGURE 1G

25-13-00

FIG. 1G

PAGE 0 R

NOV 30/18

S/N 588, 600, 610 - 966, WITHOUT UPHOLSTERING, POST-KIT OPT10 921000 (SB 10-104-25)

FIG. ITEM	PART NUMBER	1234567 	NOMENCLATURE	EFFECT FROM TO	UNITS PER ASSY	OBS
1G- 1	TF25-13-00-01G-001		SAFETY HARNESSES AND BELTS - FRONT BELTS		RF	
10	TB10 79013100		.BELT S/N 588, 600, 610 - 822, SECURAIGLON RPLD BY TB10 79013104		2	OR
- 10A	TB10 79013101		.BELT S/N 823 - 841 SECURAIGLON RPLD BY TB10 79013104		2	OR
- 10B	TB10 79013102		.BELT S/N 842 - 890 SECURAIGLON RPLD BY TB10 79013104		2	OR
- 10C	TB10 79013103		.BELT S/N 891 - 966 SECURAIGLON RPLD BY TB10 79013104		2	OR
10D	TB10 79013104		.ONE-PIECE FASTENER BELT SECURAIGLON RPLS TB10 79013100, TB10 79013101, TB10 79013102 OR TB10 79013103 RPLD BY TB10 79013105		AR	R
- 10E	TB10 79013105		.BELT RPLS TB10 79013104		2	R
15	7018154701		..BELT FASTENER WITH BELT TB10 79013103 OR TB10 79013104		1	
- 16	TB10 79013126		..VENTRAL BELT ANJOU AERO WITH BELT TB10 79013105		1	R
- 17	TB10 79013125		..REEL BELT ANJOU AERO WITH BELT TB10 79013105		1	R
20	5101229320		..BOLT		2	
30	5701039290		..WASHER OPT TO 23111AD060L MADE BY VF0111		2	R
35	5706039365		..WASHER OPT TO 23116AD080L MADE BY VF0111 WITH SECURAIGLON BELT		2	R
40	TB10 09069100		..SPACER WITH SECURAIGLON BELT		2	
50	TB10 09001149		..SPACER WITH SECURAIGLON BELT		2	
60	5101229298		..BOLT		4	R

- ITEM NOT ILLUSTRATED

25-13-00

FIG. 1G

PAGE 1

NOV 30/18

S/N 588, 600, 610 - 966, WITHOUT UPHOLSTERING, POST-KIT OPT10 921000 (SB 10-104-25)

FIG. ITEM	PART NUMBER	1234567 	NOMENCLATURE	EFFECT FROM TO	UNITS PER ASSY	OBS
1G 70	5706039290		..WASHER OPT TO 23116AD060L MADE BY VF0111		4	R
80	5101229478		..BOLT		2	
90	TB10 09001146		..SPACER		2	
100	5701039365		..WASHER OPT TO 23111AD080L MADE BY VF0111		2	R
110	5401458376		..NUT OPT TO E25412B80QQVAL MADE BY VF0110 * * *		2	R
120	TB10 79021100		.REEL SUPPORT ATTACHING PARTS		2	
130	7130241069		.COVER OPT TO 1069 MADE BY VF6069 WITH ONE-PIECE FASTENER SECURAIGLON BELT		1	R
140	TB10 09069101		.WASHER WITH ONE-PIECE FASTENER SECURAIGLON BELT		2	
150	TB10 09001143		.SPACER WITH ONE-PIECE FASTENER SECURAIGLON BELT * * *		1	

- ITEM NOT ILLUSTRATED

25-13-00

FIG. 1G

PAGE 2

NOV 30/18

S/N 588, 600, 610 - 966, WITHOUT UPHOLSTERING, POST-KIT OPT10 921000 (SB 10-104-25)

PAGE INTENTIONALLY BLANK

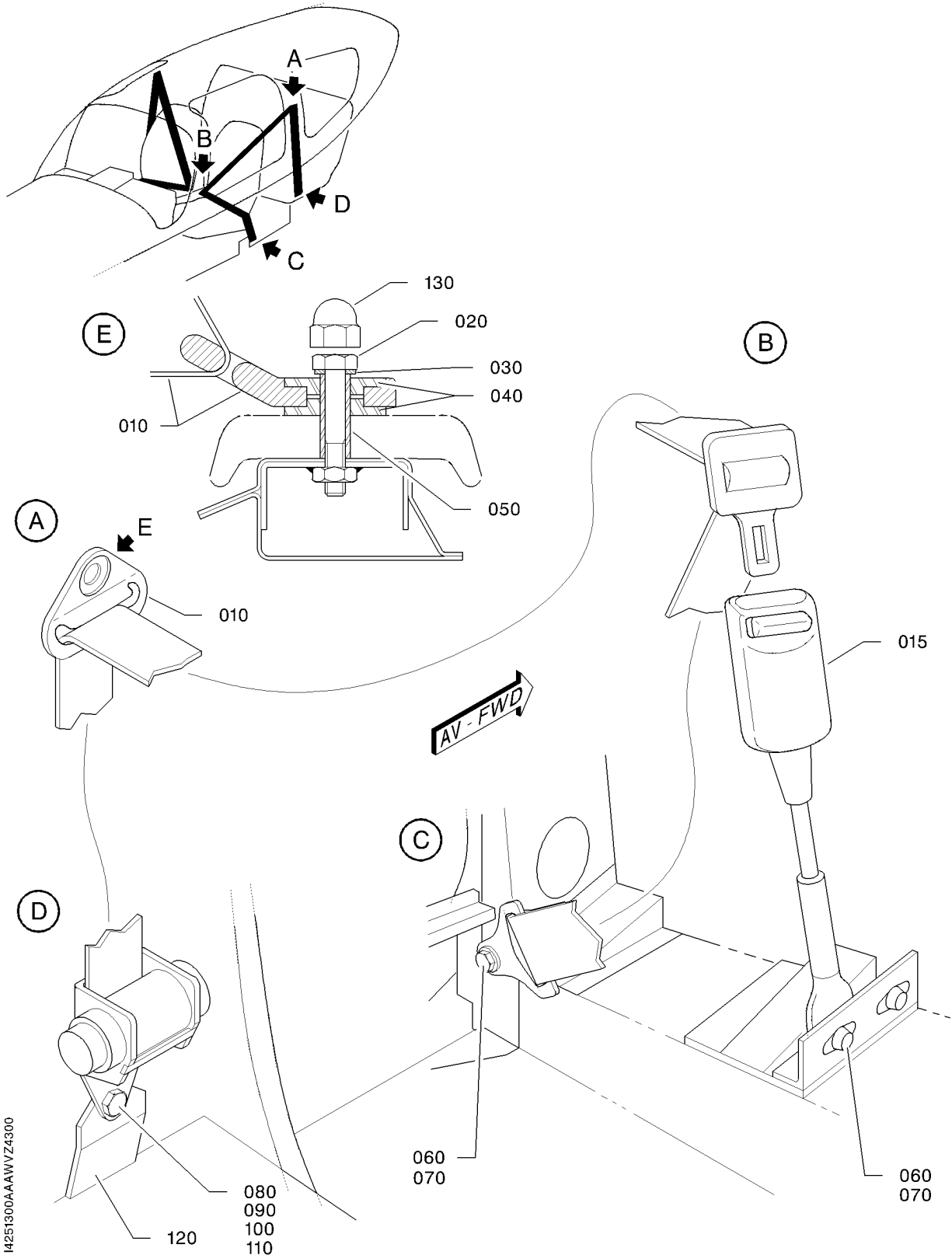
25-13-00

FIG. 1G

PAGE 3 R

NOV 30/18

S/N 588, 600, 610 - 966, WITHOUT UPHOLSTERING, POST-KIT OPT10 921000 (SB 10-104-25)



SAFETY HARNESSES AND BELTS - FRONT BELTS
FIGURE 1H

25-13-00

FIG. 1H

PAGE 0 R

NOV 30/18

S/N 967 - 1795, 1800, WITH UPHOLSTERING, PRE-KIT OPT10 920900 (SB10-103-25)

FIG.ITEM	PART NUMBER	NOMENCLATURE	EFFECT FROM TO	UNITS	OBS
				PER ASSY	
		1234567 			
1H- 1	TB25-13-00-01H-001	SAFETY HARNESSES AND BELTS - FRONT BELTS		RF	
10	TB10 79013104	.ONE-PIECE FASTENER BELT SECURAIGLON RPLD BY TB10 79013105		2	R
- 10A	TB10 79013105	.BELT ANJOU AERO RPLS TB10 79013104		2	R
15	7018154701	..BELT FASTENER		1	
- 16	TB10 79013126	..VENTRAL BELT ANJOU AERO WITH BELT TB10 79013105		1	R
- 17	TB10 79013125	..REEL BELT ANJOU AERO WITH BELT TB10 79013105 ATTACHING PARTS		1	R
20	5101229335	..BOLT		2	
30	5701039290	..WASHER OPT TO 23111AD060L MADE BY VF0111		2	R
40	TB10 09069101	..WASHER		4	
50	TB10 09001150	..SPACER		2	
60	5101229298	..BOLT		4	R
70	5706039290	..WASHER OPT TO 23116AD060L MADE BY VF0111		4	R
80	5101229478	..BOLT		2	
90	TB10 09001146	..SPACER		2	
100	5701039365	..WASHER OPT TO 23111AD080L MADE BY VF0111		2	R
110	5401458376	..NUT OPT TO E25412B80QQVAL MADE BY VF0110		2	R
120	TB10 79021100	* * * .REEL SUPPORT		2	
130	7130241069	.COVER OPT TO 1069 MADE BY VF6069		2	R

- ITEM NOT ILLUSTRATED

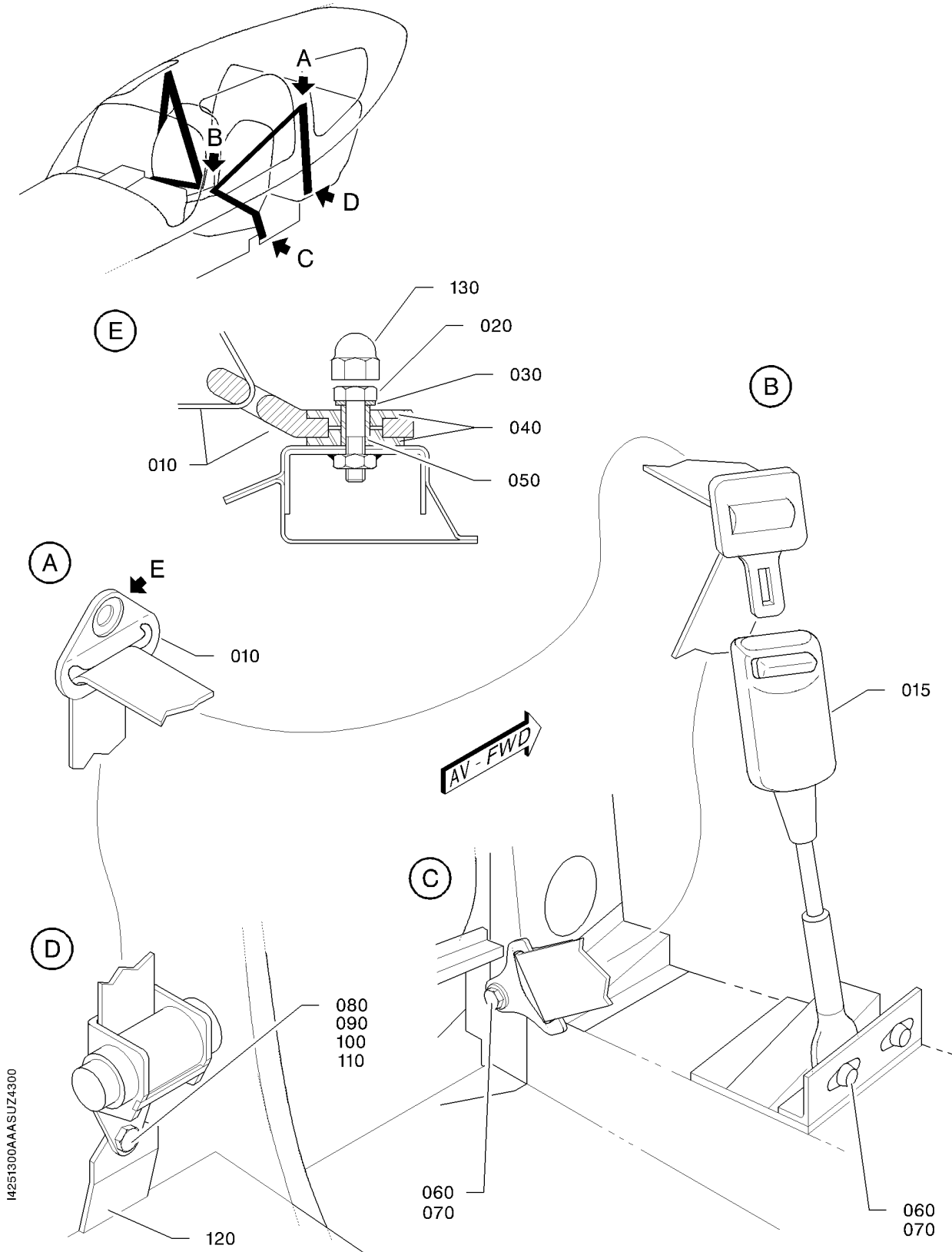
25-13-00

FIG. 1H

PAGE 1

NOV 30/18

S/N 967 - 1795, 1800, WITH UPHOLSTERING, PRE-KIT OPT10 920900 (SB10-103-25)



SAFETY HARNESSES AND BELTS - FRONT BELTS
FIGURE 1J

25-13-00

FIG. 1J

PAGE 0 R

NOV 30/18

S/N 967 - 1795, 1800, WITHOUT UPHOLSTERING, PRE-KIT OPT10 921000 (SB 10-104-25)

FIG.ITEM	PART NUMBER	NOMENCLATURE	EFFECT FROM TO	UNITS PER ASSY	OBS
1J- 1	TF25-13-00-01J-001	SAFETY HARNESSES AND BELTS - FRONT BELTS		RF	
10	TB10 79013104	.ONE-PIECE FASTENER BELT SECURAIGLON RPLD BY TB10 79013105		2	R
- 10A	TB10 79013105	.BELT ANJOU AERO RPLS TB10 79013104		2	R
15	7018154701	.BELT FASTENER SECURAIGLON		1	R
- 16	TB10 79013126	..VENTRAL BELT ANJOU AERO WITH BELT TB10 79013105		1	R
- 17	TB10 79013125	..REEL BELT ANJOU AERO WITH BELT TB10 79013105 ATTACHING PARTS		1	R
20	5101229315	..BOLT		2	R
30	5701039290	..WASHER OPT TO 23111AD060L MADE BY VF0111		2	R
40	TB10 09069101	..WASHER		4	R
50	TB10 09001143	..SPACER		2	R
60	5101229298	..BOLT		4	R
70	5706039290	..WASHER OPT TO 23116AD060L MADE BY VF0111		4	R
80	5101229478	..BOLT		2	R
90	TB10 09001146	..SPACER		2	R
100	5701039365	..WASHER OPT TO 23111AD080L MADE BY VF0111		2	R
110	5401458376	..NUT OPT TO E25412B80QQVAL MADE BY VF0110 * * *		2	R
120	TB10 79021100	.REEL SUPPORT		2	
130	7130241069	.COVER OPT TO 1069 MADE BY VF6069		2	R

- ITEM NOT ILLUSTRATED

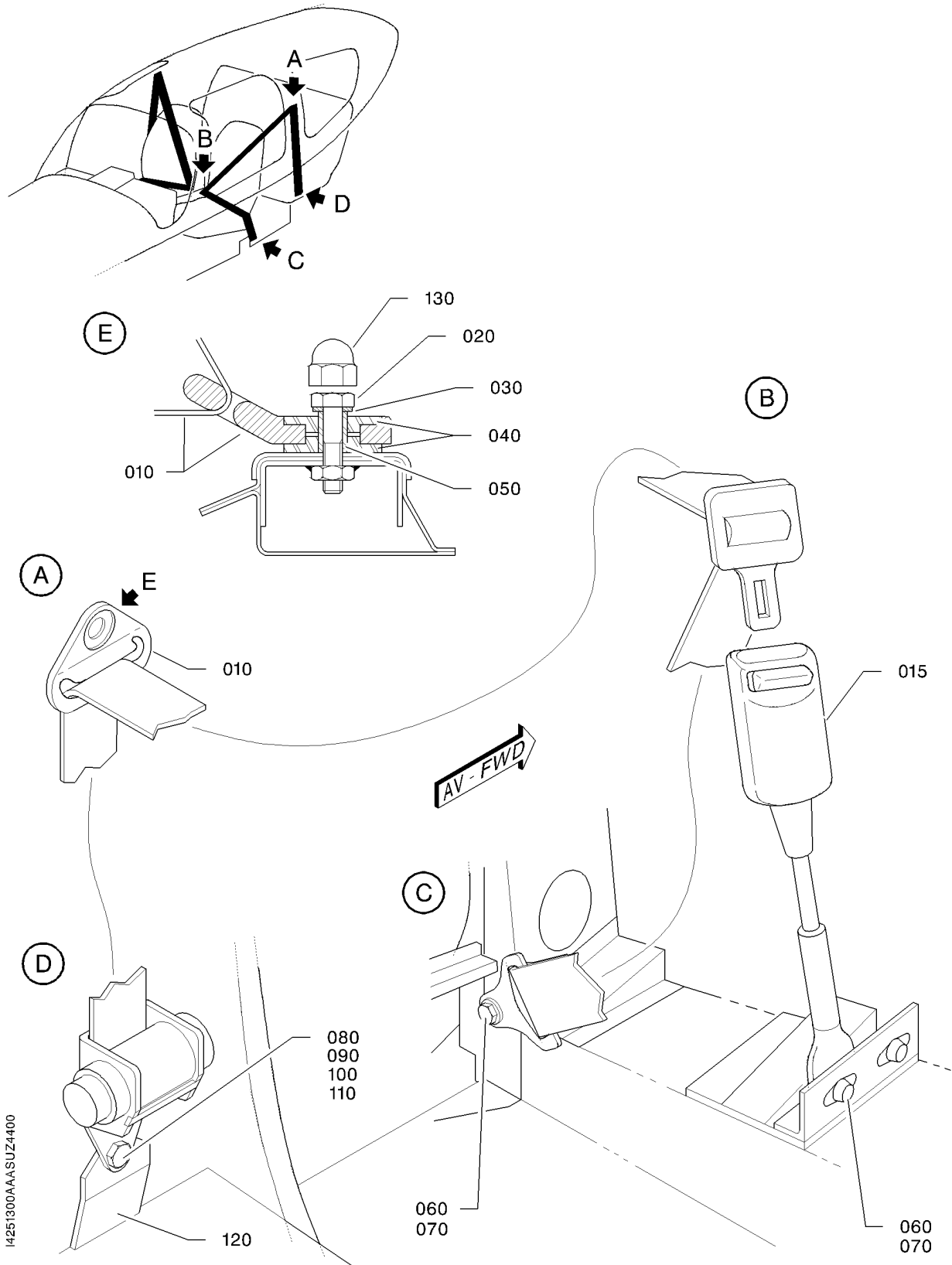
25-13-00

FIG. 1J

PAGE 1

NOV 30/18

S/N 967 - 1795, 1800, WITHOUT UPHOLSTERING, PRE-KIT OPT10 921000 (SB 10-104-25)



I4251300AAAASUZ4400

SAFETY HARNESSES AND BELTS - FRONT BELTS
FIGURE 1K

25-13-00

FIG. 1K
PAGE 0 R

NOV 30/18
S/N 967 - 1795, 1800, WITHOUT UPHOLSTERING, POST-KIT OPT10 921000 (SB 10-104-25) ;
S/N 1796 - 1799, 1801 - 9999, WITHOUT UPHOLSTERING, PRE-MOD. 151

FIG.ITEM	PART NUMBER	NOMENCLATURE		EFFECT FROM TO	UNITS PER ASSY	OBS
		1	234567			
1K- 1	TF25-13-00-01K-001		SAFETY HARNESSES AND BELTS - FRONT BELTS		RF	
10	TB10 79013104		.ONE-PIECE FASTENER BELT SECURAIGLON RPLD BY TB10 79013105		2	R
- 10A	TB10 79013105		.BELT ANJOU AERO RPLS TB10 79013104		2	R
15	7018154701		.BELT FASTENER SECURAIGLON		1	R
- 16	TB10 79013126		..VENTRAL BELT ANJOU AERO WITH BELT TB10 79013105		1	R
- 17	TB10 79013125		..REEL BELT ANJOU AERO WITH BELT TB10 79013105		1	R
			ATTACHING PARTS			
20	5101229320		..BOLT		2	R
30	5701039290		..WASHER OPT TO 23111AD060L MADE BY VF0111		2	R
40	TB10 09069101		..WASHER		4	R
50	TB10 09001143		..SPACER		2	R
60	5101229298		..BOLT		4	R
70	5706039290		..WASHER OPT TO 23116AD060L MADE BY VF0111		4	R
80	5101229478		..BOLT		2	R
90	TB10 09001146		..SPACER		2	R
100	5701039365		..WASHER OPT TO 23111AD080L MADE BY VF0111		2	R
110	5401458376		..NUT OPT TO E25412B80QQVAL MADE BY VF0110		2	R
			* * *			
120	TB10 79021100		.REEL SUPPORT		2	
130	7130241069		.COVER OPT TO 1069 MADE BY VF6069		2	R

- ITEM NOT ILLUSTRATED

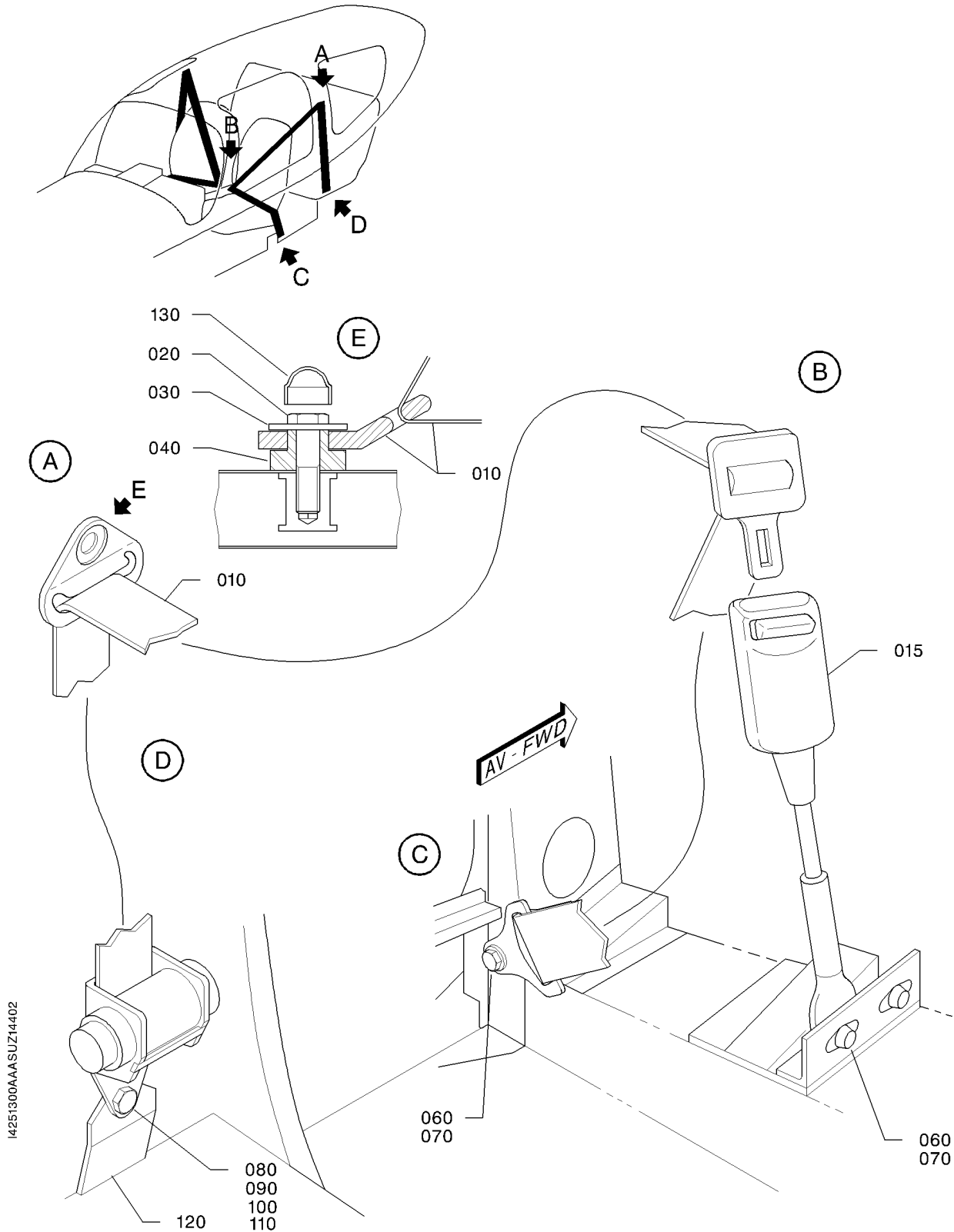
25-13-00

FIG. 1K

PAGE 1

NOV 30/18

S/N 967 - 1795, 1800, WITHOUT UPHOLSTERING, POST-KIT OPT10 921000 (SB 10-104-25) ; S/N 1796 - 1799, 1801 - 9999, WITHOUT UPHOLSTERING, PRE-MOD. 151



FRONT BELTS
FIGURE 1L

25-13-00

FIG. 1L

PAGE 0 R

NOV 30/18

FIG.ITEM	PART NUMBER	NOMENCLATURE		EFFECT FROM TO	UNITS PER ASSY	OBS
		1234567 				
1L- 1	TB25-13-00-01L-001		FRONT BELTS		RF	
10	TB10 79013104		.ONE-PIECE FASTENER BELT SECURAIGLON RPLD BY TB10 79013105		2	R
- 10A	TB10 79013105		.BELT ANJOU AERO RPLS TB10 79013104		2	R
15	7018154701		..BELT FASTENER SECURAIGLON		1	R
- 16	TB10 79013126		..VENTRAL BELT ANJOU AERO WITH BELT TB10 79013105		1	R
- 17	TB10 79013125		..REEL BELT ANJOU AERO WITH BELT TB10 79013105 ATTACHING PARTS		1	R
20	5101229507		..BOLT		2	
30	TB10 7900610200		..WASHER		2	
40	TB10 7900610000		..SPACER		4	
60	5101229298		..BOLT		4	R
70	5706039290		..WASHER OPT TO 23116AD060L MADE BY VF0111		4	R
80	5101229478		..BOLT		2	
90	TB10 09001146		..SPACER		2	
100	5701039365		..WASHER OPT TO 23111AD080L MADE BY VF0111		4	R
110	5401458376		..NUT OPT TO E25412B80QQVAL MADE BY VF0110 * * *		2	R
120	TB10 79021100		.REEL SUPPORT		2	
130	7110240893		.COVER		2	

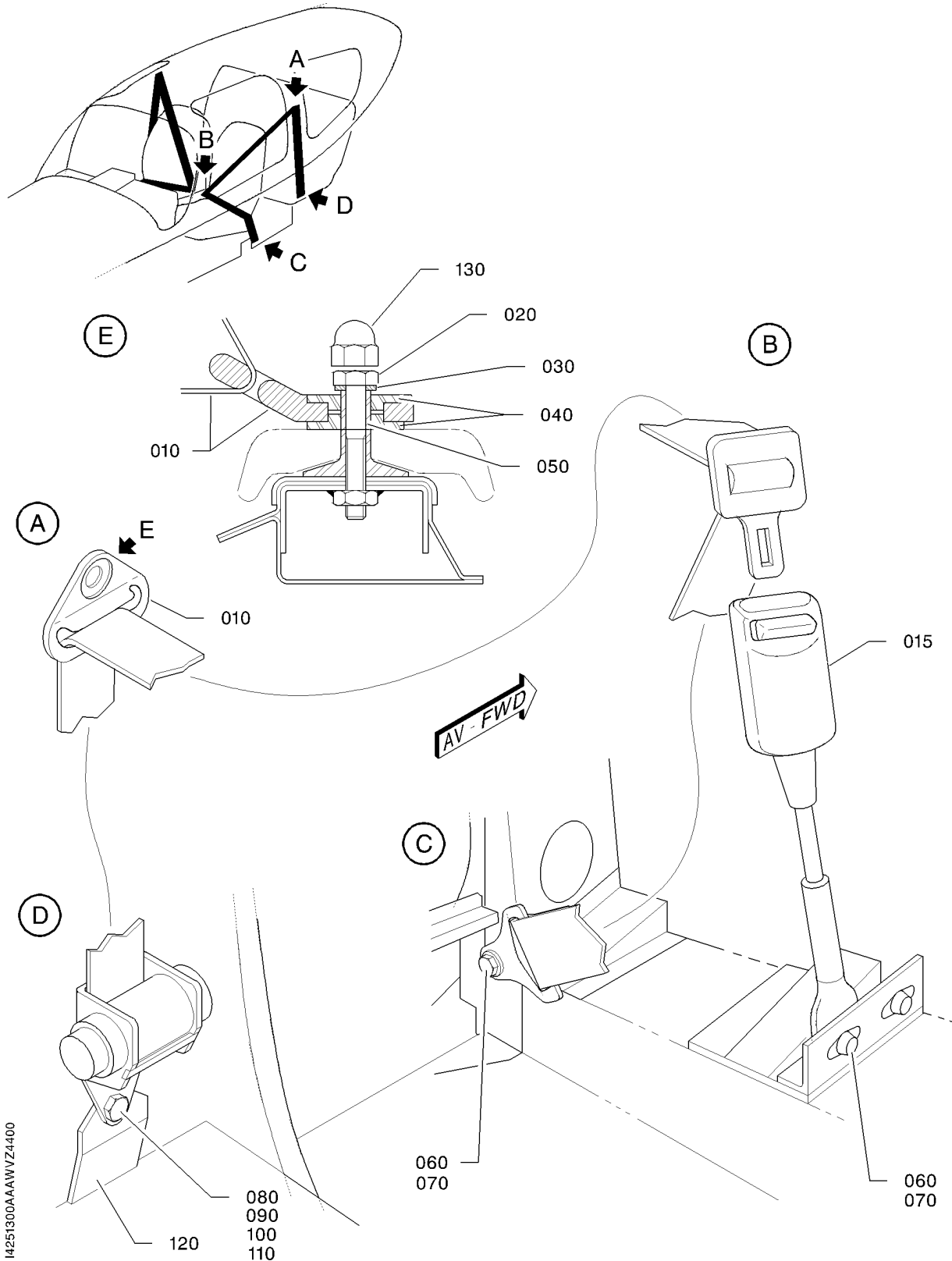
- ITEM NOT ILLUSTRATED

25-13-00

FIG. 1L

PAGE 1

NOV 30/18



SAFETY HARNESSES AND BELTS - FRONT BELTS
FIGURE 1N

25-13-00

FIG. 1N

PAGE 0 R

NOV 30/18

S/N 967 - 1795, 1800, WITH UPHOLSTERING, POST-KIT OPT10 920900 (SB10-103-25) ; S/N 1796 - 1799, 1801 - 9999, WITH UPHOLSTERING, PRE-MOD. 151

FIG.ITEM	PART NUMBER	NOMENCLATURE	EFFECT FROM TO	UNITS PER ASSY	OBS
1N- 1	TB25-13-00-01N-001	SAFETY HARNESSSES AND BELTS - FRONT BELTS		RF	R
10	TB10 79013104	.ONE-PIECE FASTENER BELT SECURAIGLON RPLD BY TB10 79013105		2	R
- 10A	TB10 79013105	.BELT ANJOU AERO RPLS TB10 79013104		2	R
15	7018154701	..BELT FASTENER SECURAIGLON		1	R
- 16	TB10 79013126	..VENTRAL BELT ANJOU AERO WITH BELT TB10 79013105		1	R
- 17	TB10 79013125	..REEL BELT ANJOU AERO WITH BELT TB10 79013105 ATTACHING PARTS		1	R
20	5101229335	..BOLT		2	R
30	5701039290	..WASHER OPT TO 23111AD060L MADE BY VF0111		2	R
40	TB10 09069101	..WASHER		4	R
50	TB10 09190100	..SHOULDERED SPACER		2	R
60	5101229298	..BOLT		4	R
70	5706039290	..WASHER OPT TO 23116AD060L MADE BY VF0111		4	R
80	5101229478	..BOLT		2	R
90	TB10 09001146	..SPACER		2	R
100	5701039365	..WASHER OPT TO 23111AD080L MADE BY VF0111		2	R
110	5401458376	..NUT OPT TO E25412B80QQVAL MADE BY VF0110		2	R
		* * *			
120	TB10 79021100	.REEL SUPPORT		2	
130	7130241069	.COVER OPT TO 1069 MADE BY VF6069		2	R

- ITEM NOT ILLUSTRATED

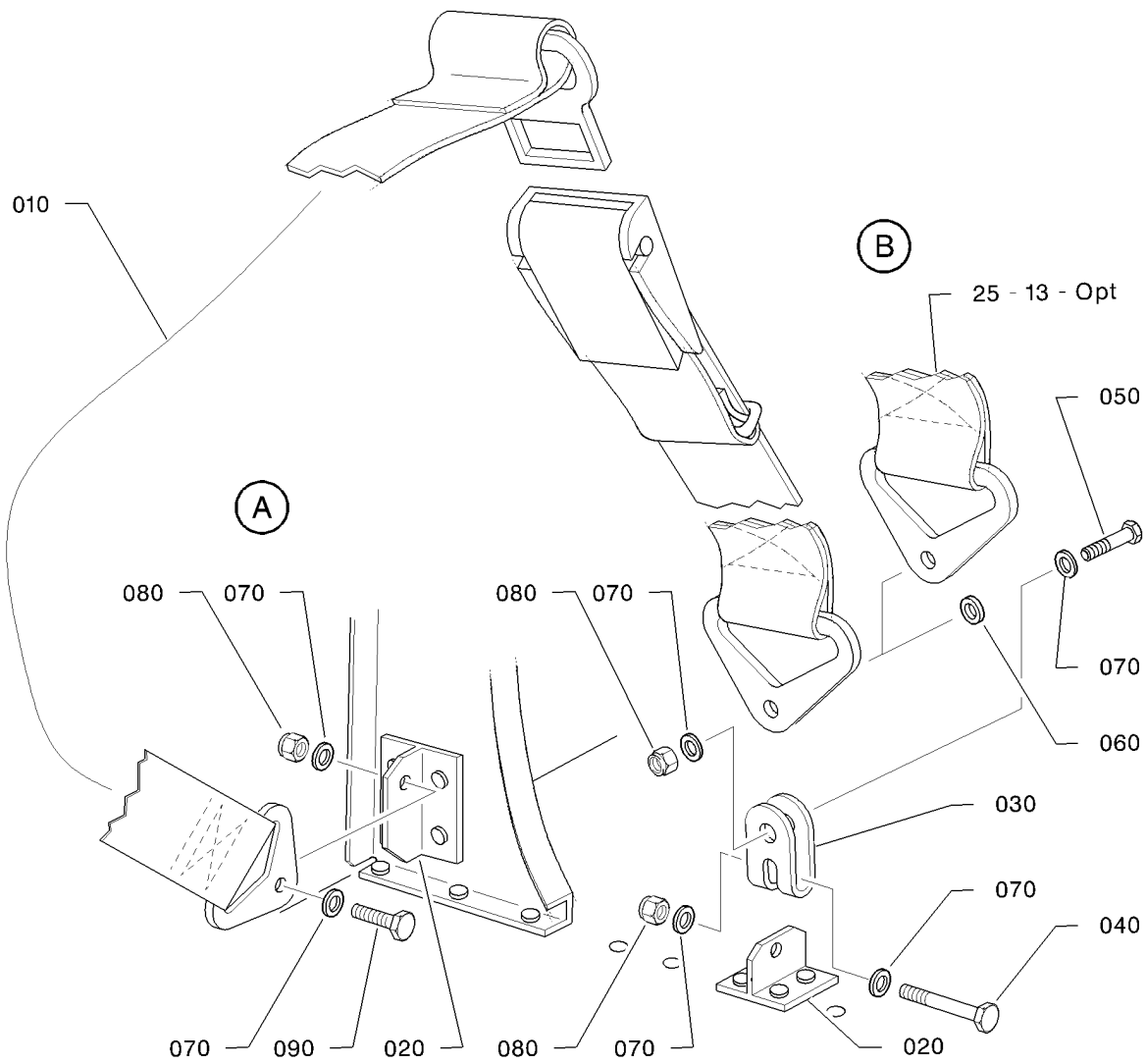
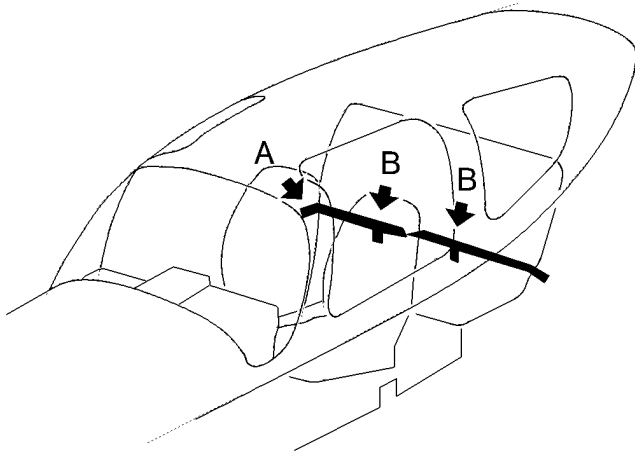
25-13-00

FIG. 1N

PAGE 1

NOV 30/18

S/N 967 - 1795, 1800, WITH UPHOLSTERING, POST-KIT OPT10 920900 (SB10-103-25) ; S/N 1796 - 1799, 1801 - 9999, WITH UPHOLSTERING, PRE-MOD. 151



14251300AAAAGVZ4302

SAFETY HARNESSES AND BELTS - REAR BELTS
FIGURE 2

25-13-00

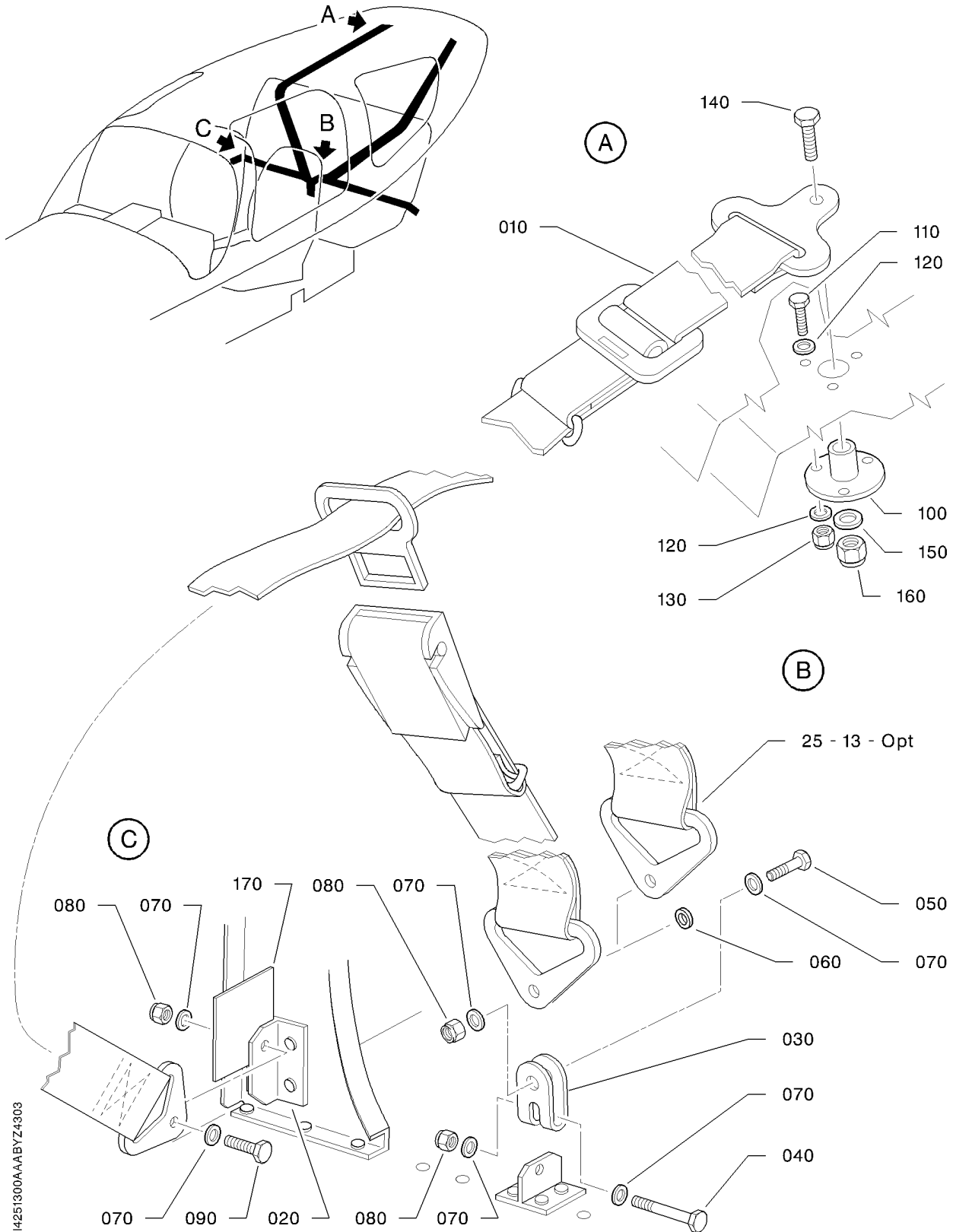
FIG. 2
PAGE 0 R

FIG.ITEM	PART NUMBER	NOMENCLATURE		EFFECT FROM TO	UNITS PER ASSY	OBS
		1234567 				
2 - 1	TF25-13-00-02-001		SAFETY HARNESSSES AND BELTS - REAR BELTS		RF	
10	TB10 79011215		.PASSENGER SEAT BELT S/N 1 - 587 BELT WITHOUT REEL, BLUE RPLD BY TB10 79011115		2	OR
- 10A	TB10 79011315		.PASSENGER SEAT BELT S/N 1 - 587 BELT WITHOUT REEL, BROWN RPLD BY TB10 79011115		2	OR
- 10B	TB10 79011115		.PASSENGER SEAT BELT BELT WITHOUT REEL, BLACK RPLS TB10 79011215 AND TB10 79011315 RPLD BY TB10 79011116		2	OR
- 10C	TB10 79011116		.PASSENGER SEAT BELT BELT WITHOUT REEL, BLACK RPLS TB10 79011115		2	OR
20	TB10 74000121		.ATTACHMENT TEE		4	OR
30	TB10 79012100		.SHACKLE ATTACHING PARTS		2	
40	5101229335		.BOLT		2	
50	5101229320		.BOLT		2	
60	5703036290		.WASHER OPT TO 23119AD060L MADE BY VF0111 IF THE 3RD OPTIONAL BELT IS INSTALLED, REMOVE WASHERS (ITEM 60)		2	R
70	5706039290		.WASHER OPT TO 23116AD060L MADE BY VF0111		12	R
80	5401458300		.NUT OPT TO E25412B60QQVAL MADE BY VF0110		6	R
90	5101229315		.BOLT RPLD BY 5101229298		2	R
- 90A	5101229298		.BOLT RPLS 5101229315 * * *		2	R

- ITEM NOT ILLUSTRATED

25-13-00

FIG. 2
PAGE 1



REAR BELTS
FIGURE 2A

25-13-00

FIG. 2A

PAGE 0 R

NOV 30/18

FIG.ITEM	PART NUMBER	1234567 	NOMENCLATURE	EFFECT FROM TO	UNITS PER ASSY	OBS
2A- 1	TB25-13-00-02A-001		REAR BELTS		RF	
10	TB10 79014100		.PASSENGER SEAT BELT BELT WITHOUT REEL, PRE-MOD. 151		2	
20	TB10 74000121		.ATTACHMENT TEE		4	OR
30	TB10 79012100		.SHACKLE ATTACHING PARTS		2	
40	5101229335		.BOLT		2	
50	5101229320		.BOLT		2	
60	5703036290		.WASHER OPT TO 23119AD060L MADE BY VF0111 IF THE 3RD OPTIONAL BELT IS INSTALLED, REMOVE WASHERS (ITEM 60)		2	R
70	5706039290		.WASHER OPT TO 23116AD060L MADE BY VF0111		12	R
80	5401458300		.NUT OPT TO E25412B60QQVAL MADE BY VF0110		6	R
90	5101229298		.BOLT * * *		2	R
100	TB10 09161100		.SUPPORT HEIGHT 0.69 IN (17,5 MM) RPLD BY TB10 09161101 + 5101229521		2	OR
-100A	TB10 09161101		.SUPPORT HEIGHT 0.85 IN (21,5 MM) RPLS TB10 09161100 ATTACHING PARTS		2	
110	5101229174		.BOLT		6	R
120	5701039240		.WASHER OPT TO ASN 53101 MADE BY VF0111		12	R
130	5401458239		.NUT OPT TO E25412B50QQVAL MADE BY VF0110		6	R
140	5101229508		.BOLT WITH SUPPORT TB10 09161100		2	
-140A	5101229521		.BOLT WITH SUPPORT TB10 09161101		2	
150	5701039365		.WASHER OPT TO 23111AD080L MADE BY VF0111		2	R
160	5401458376		.NUT OPT TO E25412B80QQVAL MADE BY VF0110 * * *		2	R

- ITEM NOT ILLUSTRATED

25-13-00

FIG. 2A

PAGE 1

NOV 30/18

STD, S/N 879 - 885, 887, 890, 895, 896, 906 - 908, 917, 919 - 921, 925 - 9999

FIG.ITEM	PART NUMBER	NOMENCLATURE	EFFECT FROM TO	UNITS PER ASSY	OBS
2A 170	TB10 7900710200	1234567 .REAR BELT COVER POST-MOD. 151		2	

- ITEM NOT ILLUSTRATED

25-13-00

FIG. 2A

PAGE 2 R

NOV 30/18

STD, S/N 879 - 885, 887, 890, 895, 896, 906 - 908, 917, 919 - 921, 925 - 9999

PAGE INTENTIONALLY BLANK

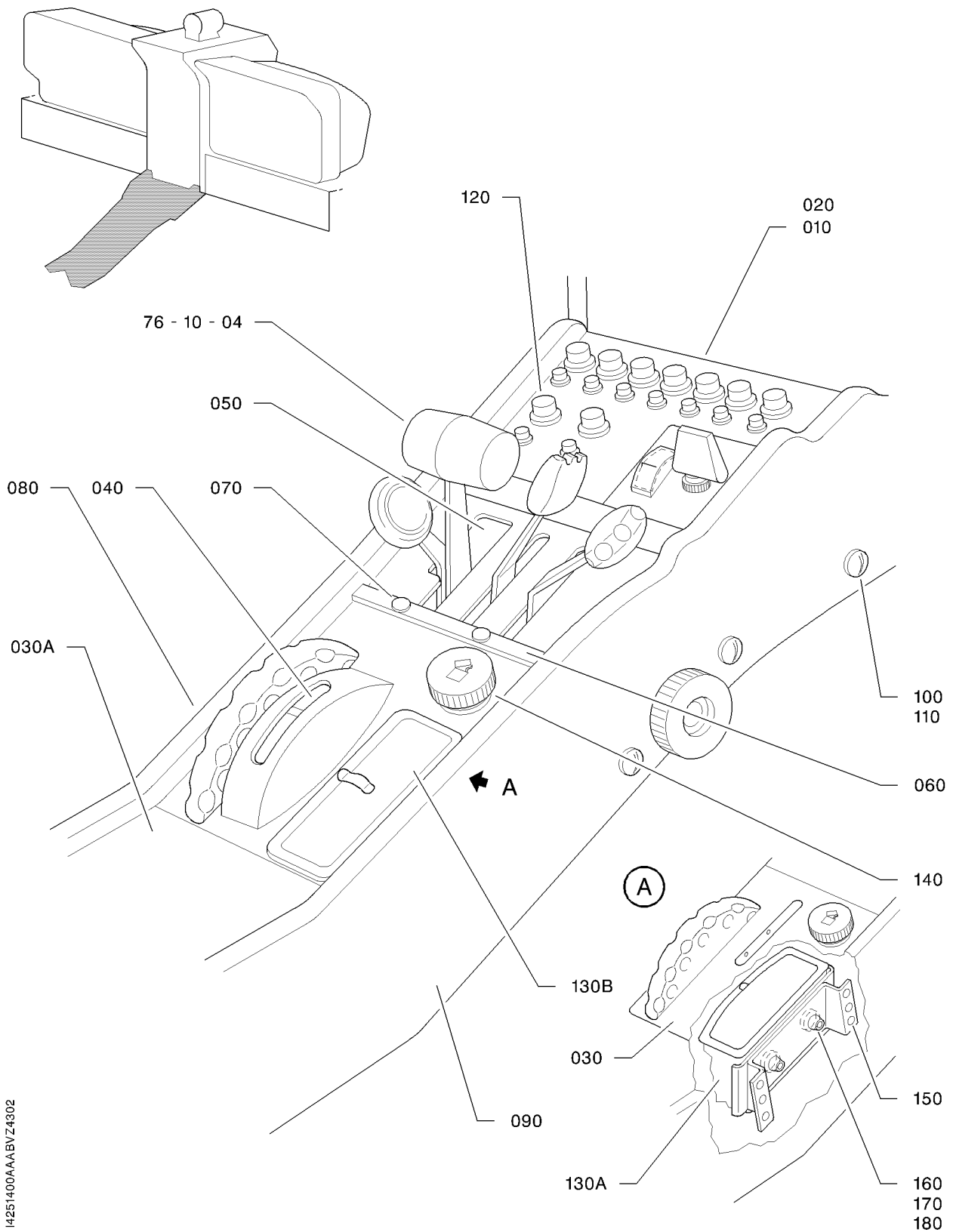
25-13-00

FIG. 2A

PAGE 3 R

NOV 30/18

STD, S/N 879 - 885, 887, 890, 895, 896, 906 - 908, 917, 919 - 921, 925 - 9999



I4251400AAA BVZ4302

CENTRAL PEDESTAL
FIGURE 1

25-14-00

FIG. 1
PAGE 0 R

NOV 30/18

FIG.ITEM	PART NUMBER	NOMENCLATURE	EFFECT FROM TO	UNITS PER ASSY	OBS
		1234567 			
1 - 1	TF25-14-00-01-001	CENTRAL PEDESTAL		RF	
10	TB10 76001117	.FRONT COVER S/N 1 - 560		1	
- 10A	TB10 76023112	.FRONT COVER S/N 561 - 587, 589 - 599, 601 - 609		1	OR
20	TB10 74091200	.FRONT UPHOLSTERY PANEL S/N 1 - 587 BLUE		1	OR
- 20A	TB10 74091300	.FRONT UPHOLSTERY PANEL S/N 1 - 587 BROWN		1	OR
- 20B	TB10 74091400	.FRONT UPHOLSTERY PANEL S/N 589 - 599, 601 - 609, GREY		1	OR
30	TB10 76001110	.UNEQUIPPED REAR COVER S/N 1 - 274		1	OR
30A	TB10 76023210	.REAR COVER S/N 275 - 587 BLUE, NOT VALID FOR AUSTRALIA AND USA		1	OR R
- 30B	TB10 76023310	.REAR COVER S/N 275 - 587 BROWN, NOT VALID FOR AUSTRALIA AND USA		1	OR R
- 30C	TB10 72934214	.REAR COVER S/N 275 - 587 BLUE, VALID FOR AUSTRALIA AND USA		1	OR R
- 30D	TB10 72934314	.REAR COVER S/N 275 - 587 BROWN, VALID FOR AUSTRALIA AND USA		1	OR R
- 30E	TB10 76023410	.REAR COVER S/N 589 - 599, 601 - 609, GREY, NOT VALID FOR ENGLISH-SPEAKING COUNTRIES		1	OR
- 30F	TB10 72934414	.REAR COVER S/N 589 - 599, 601 - 609, GREY, VALID FOR ENGLISH-SPEAKING COUNTRIES		1	OR
40	TB10 76001111	.PLEXIGLAS S/N 1 - 274		1	
- 40A	TB20 76001111	.PLEXIGLAS S/N 275 - 587, 589 - 599, 601 - 609		1	OR
50	TB10 76024100	.BLANKING PLATE		1	
60	TB20 74005214	.REINFORCEMENT BAND S/N 1 - 587 BLUE		1	OR
- 60A	TB20 74005314	.REINFORCEMENT BAND S/N 1 - 587 BROWN		1	OR
- 60B	TB20 74005414	.REINFORCEMENT BAND S/N 589 - 599, 601 - 609, GREY		1	OR

- ITEM NOT ILLUSTRATED

25-14-00

FIG. 1

PAGE 1

NOV 30/18

S/N 1 - 587, 589 - 599, 601 - 609, WITH CONSTANT SPEED PROPELLER

FIG. ITEM	PART NUMBER	1234567 	NOMENCLATURE	EFFECT FROM TO	UNITS PER ASSY	OBS
1			ATTACHING PARTS			
70	5263055007		.SCREW		2	
			* * *			
80	TB10 74085201		.L.H. PEDESTAL COVER S/N 1 - 587 BLUE		1	OR
- 80A	TB10 74085301		.L.H. PEDESTAL COVER S/N 1 - 587 BROWN		1	OR
- 80B	TB10 74085501		.L.H. PEDESTAL COVER S/N 589 - 599, 601 - 609, "CENDRE"		1	OR R
- 80C	TB10 74085601		.L.H. PEDESTAL COVER S/N 589 - 599, 601 - 609, "SABLE"		1	OR R
90	TB10 74085202		.R.H. PEDESTAL COVER S/N 1 - 587 BLUE		1	OR
- 90A	TB10 74085302		.R.H. PEDESTAL COVER S/N 1 - 587 BROWN		1	OR
- 90B	TB10 74085502		.R.H. PEDESTAL COVER S/N 589 - 599, 601 - 609, "CENDRE"		1	OR R
- 90C	TB10 74085602		.R.H. PEDESTAL COVER S/N 589 - 599, 601 - 609, "SABLE"		1	OR R
			ATTACHING PARTS			
100	5169911075		.SCREW		15	
110	5385835514		.NUT		15	R
			* * *			
120	TB10 74089100		.SWITCH-BREAKER GUARD		2	
-130	10738.92		.FRONT ASHTRAY S/N 1 - 98 ORDER 7156012175 + TB10 76001121 (QTY 2) AND ADHESIVE 4911793585		1	NP R
130A	7156500003		.FRONT ASHTRAY S/N 99 - 274 ORDER 7156012175 + TB10 76001121 (QTY 2) AND ADHESIVE 4911793585		1	OR R
130B	7156012175		.FRONT ASHTRAY OPT TO 532175 MADE BY VA3360 S/N 275 - 587, 589 - 599, 601 - 609		1	R
140	7025011004		.CIGAR LIGHTER		1	OR
150	TB10 76001112		.ASHTRAY BRACKET S/N 1 - 274		1	

- ITEM NOT ILLUSTRATED

25-14-00

FIG. 1

PAGE 2

NOV 30/18

S/N 1 - 587, 589 - 599, 601 - 609, WITH CONSTANT SPEED PROPELLER

FIG.ITEM	PART NUMBER	1234567 	NOMENCLATURE	EFFECT FROM TO	UNITS PER ASSY	OBS
1			ATTACHING PARTS			
160	5142023079		.SCREW S/N 99 - 274		2	R
170	5705015435		.WASHER OPT TO 23118AD100L MADE BY VF0111 S/N 99 - 274		2	R
180	5385835514		.NUT S/N 99 - 274 * * *		2	R

- ITEM NOT ILLUSTRATED

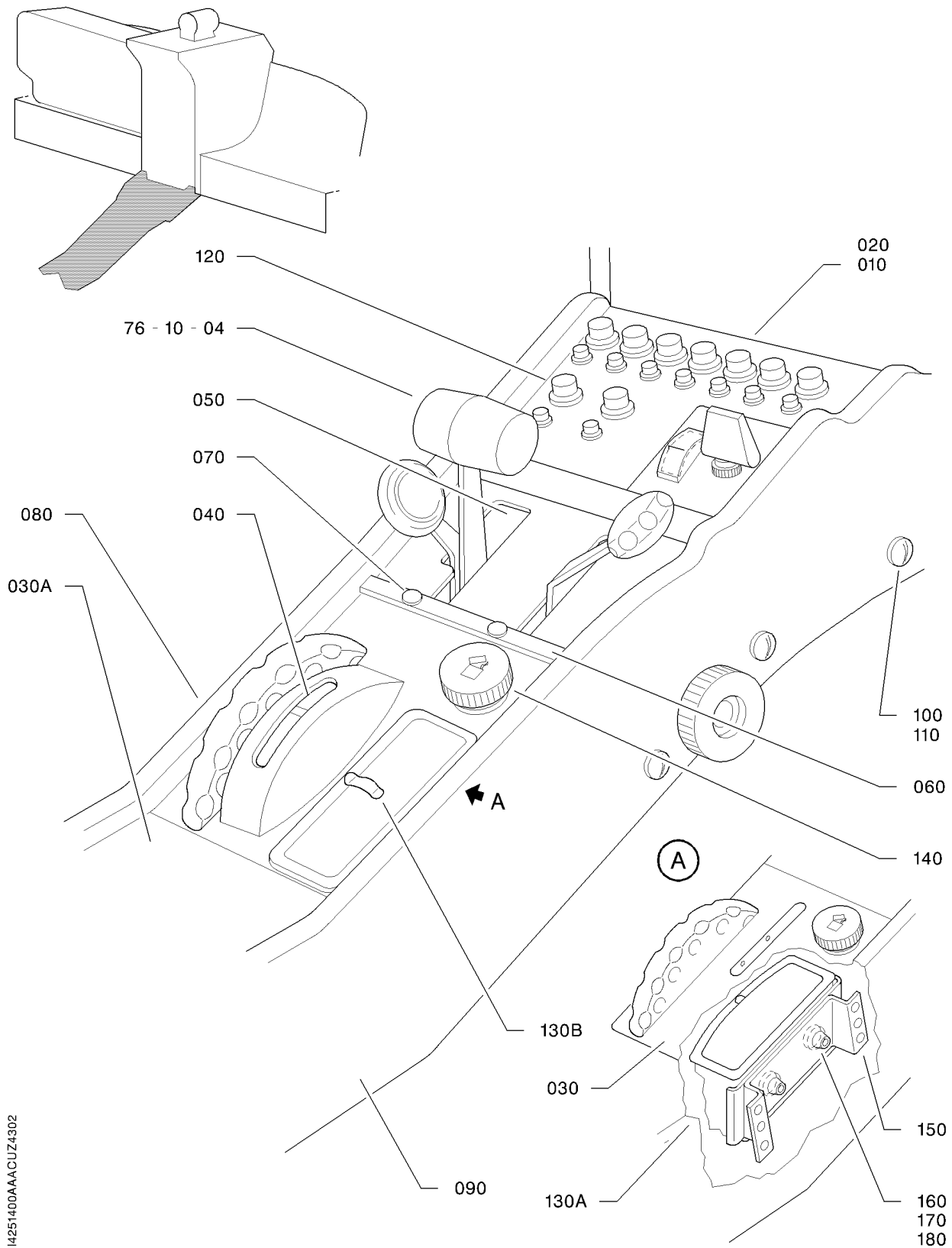
25-14-00

FIG. 1

PAGE 3

NOV 30/18

S/N 1 - 587, 589 - 599, 601 - 609, WITH CONSTANT SPEED PROPELLER



I4251400AAA CUZ4302

CENTRAL PEDESTAL
FIGURE 1A

25-14-00

FIG. 1A

PAGE 0 R

NOV 30/18

FIG.ITEM	PART NUMBER	1234567 	NOMENCLATURE	EFFECT FROM TO	UNITS PER ASSY	OBS
1A- 1	TF25-14-00-01A-001		CENTRAL PEDESTAL		RF	
10	TB10 76001117		.FRONT COVER S/N 1 - 560		1	
- 10A	TB10 76023112		.FRONT COVER S/N 561 - 587, 589 - 599, 601 - 609		1	OR
20	TB10 74091201		.FRONT UPHOLSTERY PANEL S/N 1 - 587 BLUE		1	OR
- 20A	TB10 74091301		.FRONT UPHOLSTERY PANEL S/N 1 - 587 BROWN		1	OR
- 20B	TB10 74091400		.FRONT UPHOLSTERY PANEL S/N 589 - 599, 601 - 609, GREY		1	OR
30	TB10 76001110		.UNEQUIPPED REAR COVER S/N 1 - 274		1	OR
30A	TB10 76023210		.REAR COVER S/N 275 - 587 BLUE, NOT VALID FOR AUSTRALIA AND USA		1	OR R
- 30B	TB10 76023310		.REAR COVER S/N 275 - 587 BROWN, NOT VALID FOR AUSTRALIA AND USA		1	OR R
- 30C	TB10 72934214		.REAR COVER S/N 275 - 587 BLUE, VALID FOR AUSTRALIA AND USA		1	OR R
- 30D	TB10 72934314		.REAR COVER S/N 275 - 587 BROWN, VALID FOR AUSTRALIA AND USA		1	OR R
- 30E	TB10 76023410		.REAR COVER S/N 589 - 599, 601 - 609, GREY, NOT VALID FOR ENGLISH-SPEAKING COUNTRIES		1	OR
- 30F	TB10 72934414		.REAR COVER S/N 589 - 599, 601 - 609, GREY, VALID FOR ENGLISH-SPEAKING COUNTRIES		1	OR
40	TB10 76001111		.PLEXIGLAS S/N 1 - 274		1	
- 40A	TB20 76001111		.PLEXIGLAS S/N 275 - 587, 589 - 599, 601 - 609		1	OR
50	TB09 76010100		.BLANKING PLATE		1	
60	TB20 74005214		.REINFORCEMENT BAND S/N 1 - 587 BLUE		1	OR
- 60A	TB20 74005314		.REINFORCEMENT BAND S/N 1 - 587 BROWN		1	OR
- 60B	TB20 74005414		.REINFORCEMENT BAND S/N 589 - 599, 601 - 609, GREY		1	OR

- ITEM NOT ILLUSTRATED

25-14-00

FIG. 1A

PAGE 1

NOV 30/18

S/N 1 - 587, 589 - 599, 601 - 609, WITH FIXED-PITCH PROPELLER

FIG. ITEM	PART NUMBER	1234567 	NOMENCLATURE	EFFECT FROM TO	UNITS PER ASSY	OBS
1A			ATTACHING PARTS			
70	5263055007		.SCREW * * *		2	
80	TB10 74085201		.L.H. PEDESTAL COVER S/N 1 - 587 BLUE		1	OR
- 80A	TB10 74085301		.L.H. PEDESTAL COVER S/N 1 - 587 BROWN		1	OR
- 80B	TB10 74085501		.L.H. PEDESTAL COVER S/N 589 - 599, 601 - 609, "CENDRE"		1	OR R
- 80C	TB10 74085601		.L.H. PEDESTAL COVER S/N 589 - 599, 601 - 609, "SABLE"		1	OR R
90	TB10 74085202		.R.H. PEDESTAL COVER S/N 1 - 587 BLUE		1	OR
- 90A	TB10 74085302		.R.H. PEDESTAL COVER S/N 1 - 587 BROWN		1	OR
- 90B	TB10 74085502		.R.H. PEDESTAL COVER S/N 589 - 599, 601 - 609, "CENDRE"		1	OR R
- 90C	TB10 74085602		.R.H. PEDESTAL COVER S/N 589 - 599, 601 - 609, "SABLE"		1	OR R
			ATTACHING PARTS			
100	5169911075		.SCREW		15	
110	5385835514		.NUT * * *		15	R
120	TB10 74089100		.SWITCH-BREAKER GUARD		2	
-130	10738.92		.FRONT ASHTRAY S/N 1 - 98 ORDER 7156012175 + TB10 76001121 (OTY 2) AND ADHESIVE 4911793585		1	NP R
130A	7156500003		.FRONT ASHTRAY S/N 99 - 274 ORDER 7156012175 + TB10 76001121 (OTY 2) AND ADHESIVE 4911793585		1	OR R
130B	7156012175		.FRONT ASHTRAY OPT TO 532175 MADE BY VA3360 S/N 275 - 587, 589 - 599, 601 - 609		1	R
140	7025011004		.CIGAR LIGHTER		1	OR
150	TB10 76001112		.ASHTRAY BRACKET S/N 99 - 274		1	R

- ITEM NOT ILLUSTRATED

25-14-00

FIG. 1A

PAGE 2

NOV 30/18

S/N 1 - 587, 589 - 599, 601 - 609, WITH FIXED-PITCH PROPELLER

FIG.ITEM	PART NUMBER	1234567 	NOMENCLATURE	EFFECT FROM TO	UNITS PER ASSY	OBS
1A			ATTACHING PARTS			
160	5142023079		.SCREW S/N 99 - 274		2	R
170	5705015435		.WASHER OPT TO 23118AD100L MADE BY VF0111 S/N 99 - 274		2	R
180	5385835514		.NUT S/N 99 - 274 * * *		2	R

- ITEM NOT ILLUSTRATED

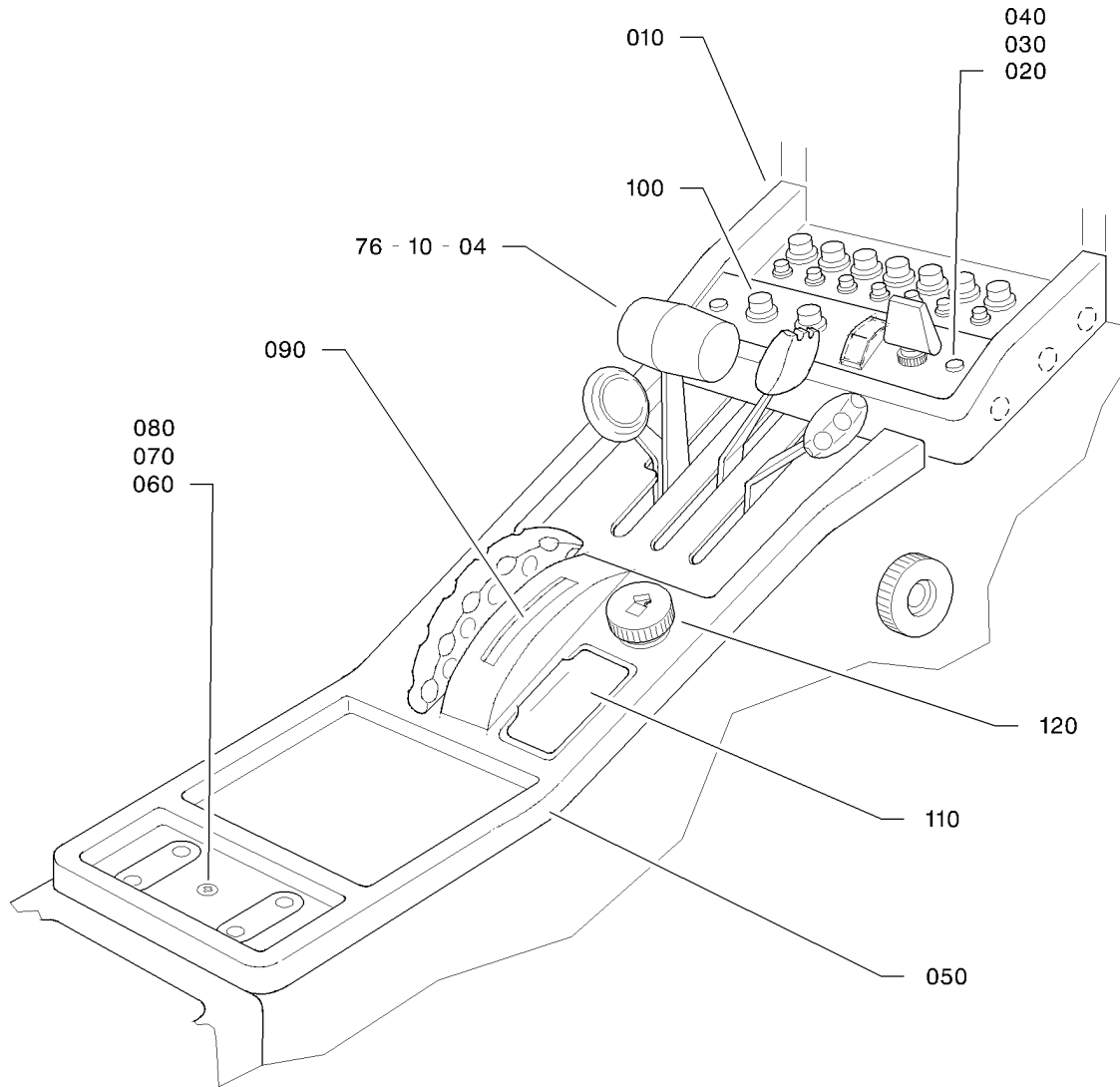
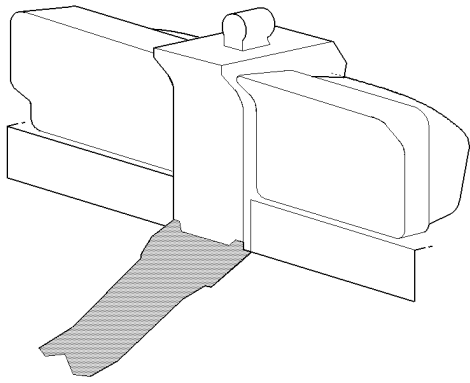
25-14-00

FIG. 1A

PAGE 3

NOV 30/18

S/N 1 - 587, 589 - 599, 601 - 609, WITH FIXED-PITCH PROPELLER



14251400AADVZ4301

CENTRAL PEDESTAL
FIGURE 1B

25-14-00

FIG. 1B

PAGE 0 R

NOV 30/18

FIG.ITEM	PART NUMBER	NOMENCLATURE		EFFECT FROM TO	UNITS PER ASSY	OBS
		1	234567			
1B- 1	TF25-14-00-01B-001		CENTRAL PEDESTAL		RF	
10	TB10 74040401		.CENTRAL PEDESTAL FRONT SECTION NOT VALID FOR FLAP WITH PRESELECTION CONTROL OPTION ATTACHING PARTS		1	OR
20	5147963089		.SCREW		2	
30	5735053160		.CUP WASHER RPLD BY 7743700204		2	OR
- 30A	7743700204		.CUP WASHER RPLS 5735053160		2	
40	5385835514		.NUT * * *		2	R
50	TB10 74041400		.PEDESTAL ASSY ATTACHING PARTS		1	
60	5147963089		.SCREW		1	
70	5735053160		.CUP WASHER RPLD BY 7743700204		1	OR
- 70A	7743700204		.CUP WASHER RPLS 5735053160		1	
80	5385835514		.NUT * * *		1	R
90	TB10 76001111		.PLEXIGLAS		RF	R
100	TB10 74089100		.SWITCH-BREAKER GUARD		2	
110	7156013071		.FRONT ASHTRAY		1	
120	7025011004		.CIGAR LIGHTER		1	OR

- ITEM NOT ILLUSTRATED

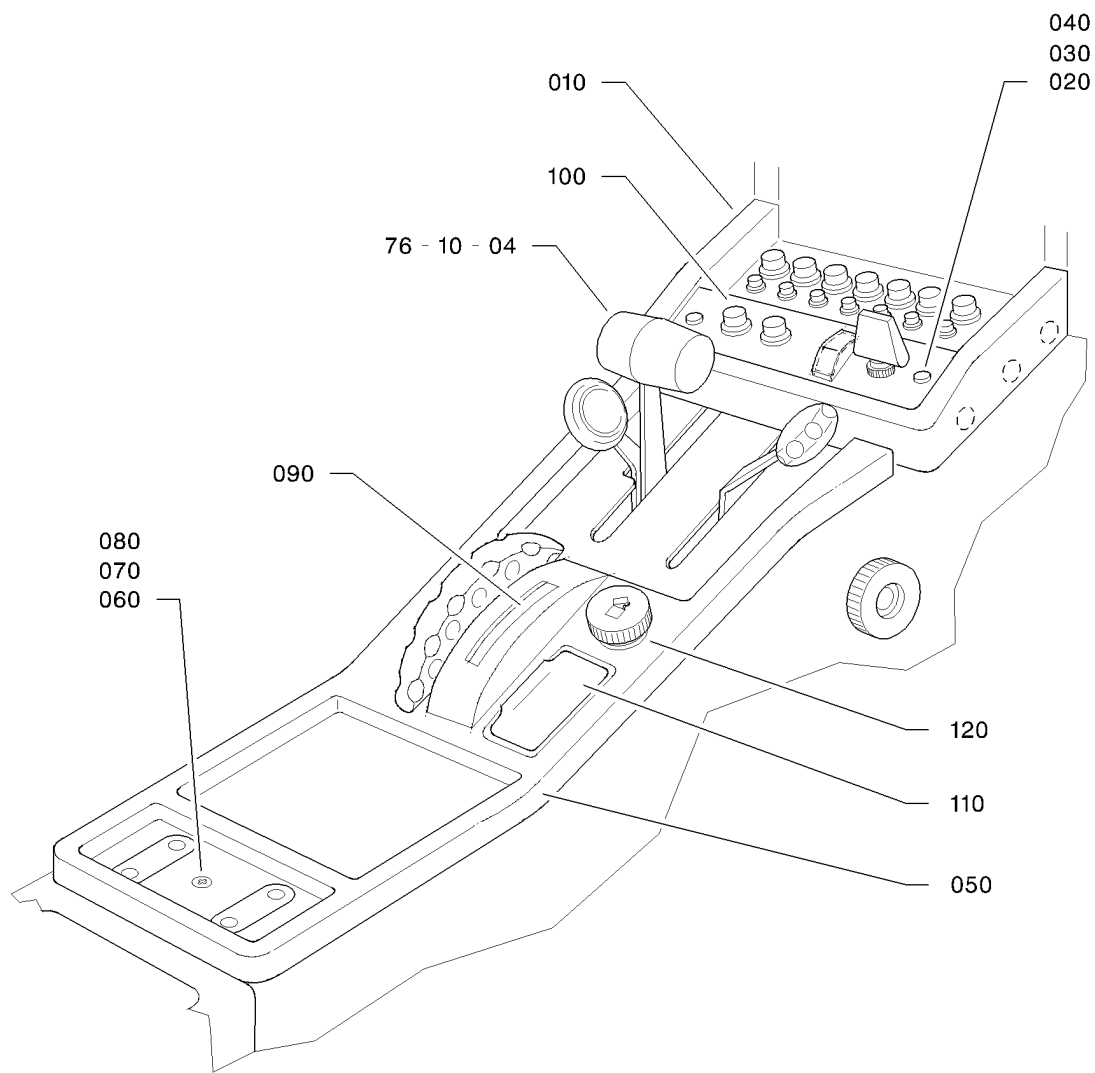
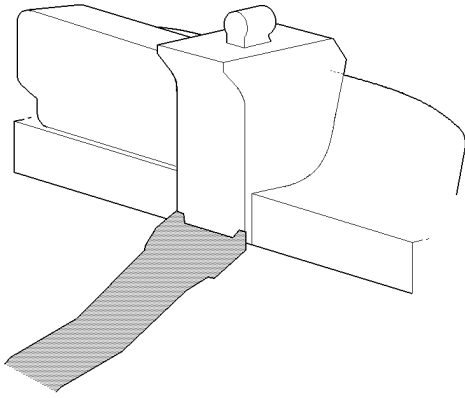
25-14-00

FIG. 1B

PAGE 1

NOV 30/18

S/N 588, 600, 610 - 730, WITH CONSTANT SPEED PROPELLER



14251400AAAAGUZ4301

CENTRAL PEDESTAL
FIGURE 1C

25-14-00

FIG. 1C

PAGE 0 R

NOV 30/18

FIG.ITEM	PART NUMBER	NOMENCLATURE		EFFECT FROM TO	UNITS PER ASSY	OBS
		1	234567			
1C- 1	TF25-14-00-01C-001		CENTRAL PEDESTAL		RF	
10	TB10 74040401		.CENTRAL PEDESTAL FRONT SECTION NOT VALID FOR FLAP WITH PRESELECTION CONTROL OPTION ATTACHING PARTS		1	OR R
20	5147963089		.SCREW		2	
30	5735053160		.CUP WASHER RPLD BY 7743700204		2	OR
- 30A	7743700204		.CUP WASHER RPLS 5735053160		2	
40	5385835514		.NUT * * *		2	R
50	TB09 74035400		.PEDESTAL ASSY ATTACHING PARTS		1	
60	5147963089		.SCREW		1	
70	5735053160		.CUP WASHER RPLD BY 7743700204		1	OR
- 70A	7743700204		.CUP WASHER RPLS 5735053160		1	
80	5385835514		.NUT * * *		1	R
90	TB10 76001111		.PLEXIGLAS		RF	R
100	TB10 74089100		.SWITCH-BREAKER GUARD		2	
110	7156013071		.FRONT ASHTRAY		1	
120	7025011004		.CIGAR LIGHTER		1	OR

- ITEM NOT ILLUSTRATED

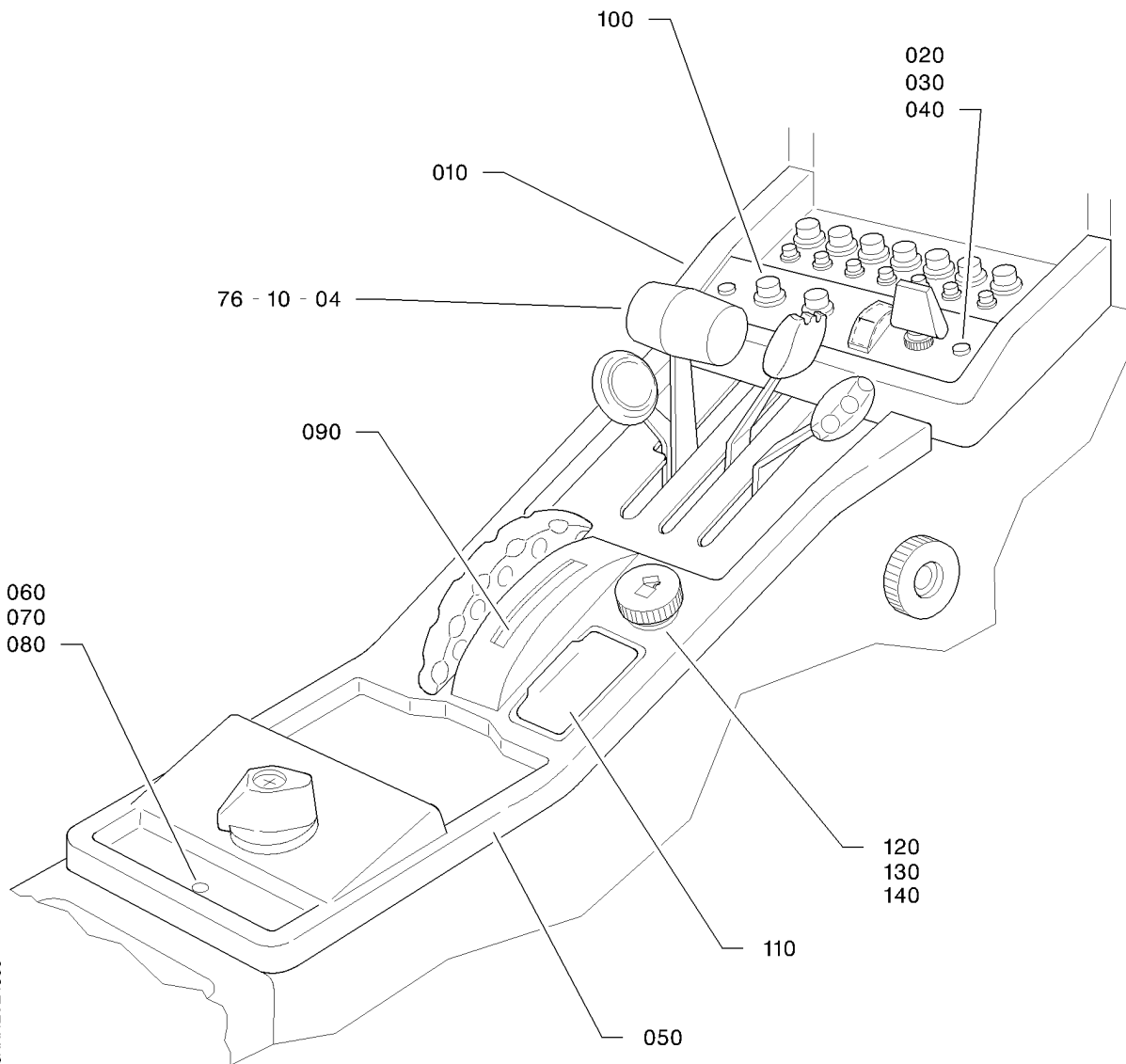
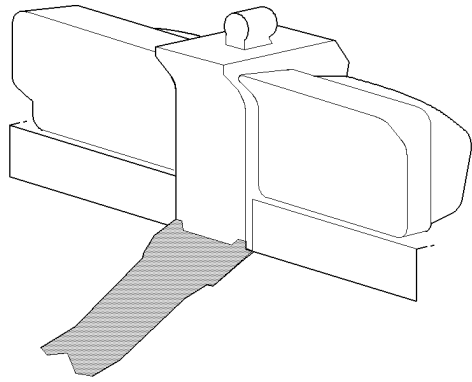
25-14-00

FIG. 1C

PAGE 1

NOV 30/18

S/N 588, 600, 610 - 730, WITH FIXED-PITCH PROPELLER



I4251400AAA EVZ4300

CENTRAL PEDESTAL
FIGURE 1D

25-14-00

FIG. 1D

PAGE 0 R

NOV 30/18

FIG.ITEM	PART NUMBER	NOMENCLATURE		EFFECT FROM TO	UNITS PER ASSY	OBS
		1	234567			
1D- 1	TF25-14-00-01D-001		CENTRAL PEDESTAL		RF	
10	TB10 74040401		.CENTRAL PEDESTAL FRONT SECTION NOT VALID FOR FLAP WITH PRESELECTION CONTROL OPTION ATTACHING PARTS		1	OR
20	5147963089		.SCREW		2	
30	5735053160		.CUP WASHER RPLD BY 7743700204		2	OR
- 30A	7743700204		.CUP WASHER RPLS 5735053160		2	
40	5385835514		.NUT * * *		2	R
50	TB20 76068410		.PEDESTAL ASSY RPLD BY TB10 76230000		1	OR
- 50A	TB10 76230000		.PEDESTAL ASSY RPLS TB20 76068410 ATTACHING PARTS		1	
60	5147963089		.SCREW		1	
70	5735053160		.CUP WASHER RPLD BY 7743700204		1	OR
- 70A	7743700204		.CUP WASHER RPLS 5735053160		1	
80	5385835514		.NUT * * *		1	R
90	TB10 76001111		.PLEXIGLAS		1	
100	TB10 74089100		.SWITCH-BREAKER GUARD		2	
110	7156013071		.FRONT ASHTRAY		1	
120	7025011004		.CIGAR LIGHTER S/N 731 - 764, 766 - 822, 850 - 878		1	OR
-120A	7080401000		.CIGAR LIGHTER S/N 823 - 849		1	OR
130	7788401635		.CIGAR LIGHTER TRIM S/N 823 - 849		1	OR
140	7445403100		.CIGAR LIGHTER TRIM ILLUMINATED SECTION S/N 823 - 849		1	OR R

- ITEM NOT ILLUSTRATED

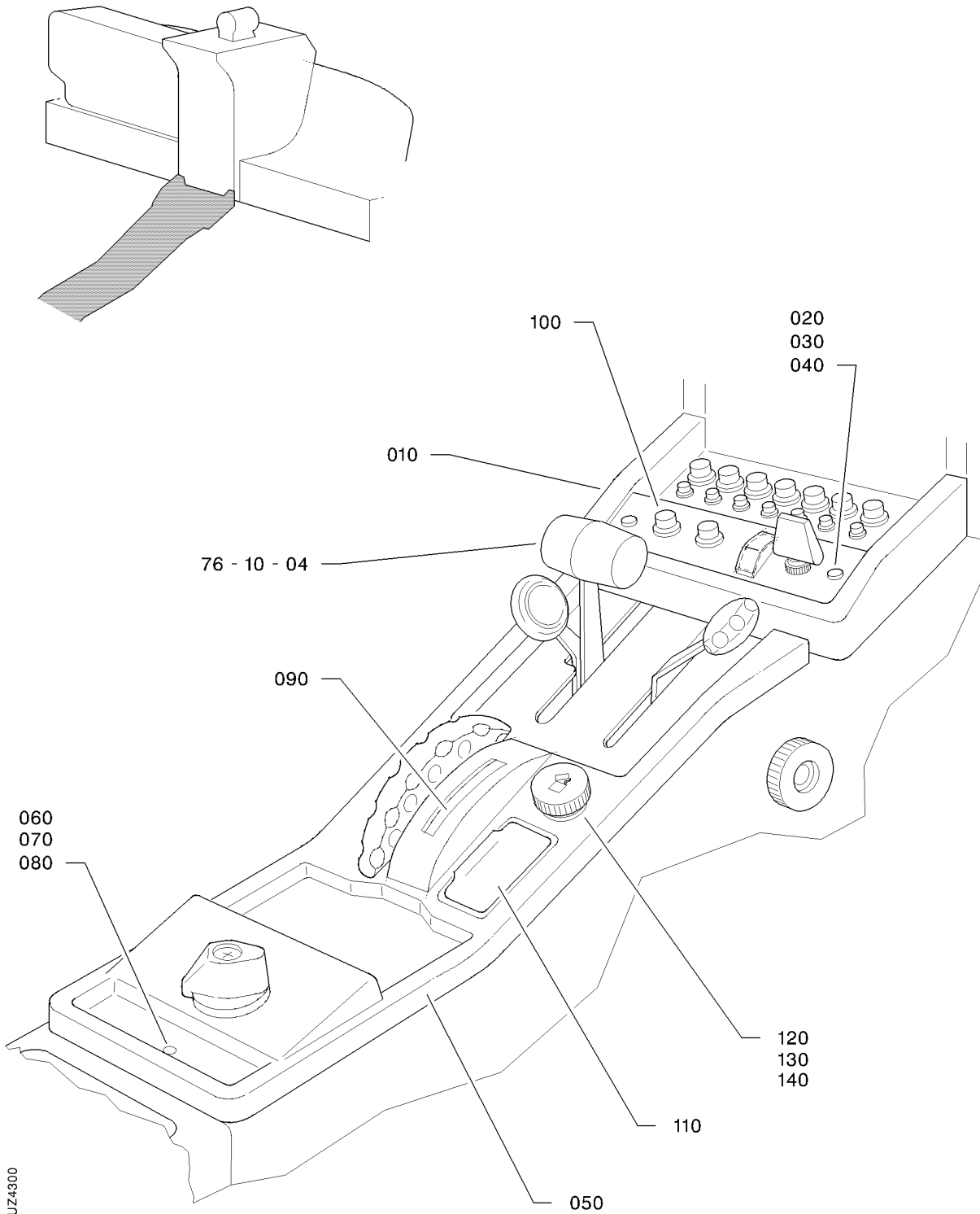
25-14-00

FIG. 1D

PAGE 1

NOV 30/18

S/N 731 - 764, 766 - 878, WITH CONSTANT SPEED PROPELLER



14251400AAA FUZ4300

CENTRAL PEDESTAL
FIGURE 1E

25-14-00

FIG. 1E

PAGE 0 R

NOV 30/18

FIG.ITEM	PART NUMBER	1234567 	NOMENCLATURE	EFFECT FROM TO	UNITS PER ASSY	OBS
1E- 1	TF25-14-00-01E-001		CENTRAL PEDESTAL		RF	
10	TB10 74040401		.CENTRAL PEDESTAL FRONT SECTION NOT VALID FOR FLAP WITH PRESELECTION CONTROL OPTION ATTACHING PARTS		1	OR
20	5147963089		.SCREW		2	
30	5735053160		.CUP WASHER RPLD BY 7743700204		2	OR
- 30A	7743700204		.CUP WASHER RPLS 5735053160		2	
40	5385835514		.NUT * * *		2	R
50	TB20 76068409		.PEDESTAL ASSY ATTACHING PARTS		1	
60	5147963089		.SCREW		1	
70	5735053160		.CUP WASHER RPLD BY 7743700204		1	OR
- 70A	7743700204		.CUP WASHER RPLS 5735053160		1	
80	5385835514		.NUT * * *		1	R
90	TB10 76001111		.PLEXIGLAS		RF	R
100	TB10 74089100		.SWITCH-BREAKER GUARD		2	
110	7156013071		.FRONT ASHTRAY		1	
120	7025011004		.CIGAR LIGHTER S/N 731 - 764, 766 - 822, 850 - 878		1	OR
-120A	7080401000		.CIGAR LIGHTER S/N 823 - 849 AFTER STOCK DEPLETION, ORDER P/N 7080401001 + 7788401636 AND 7445403101		1	OR R
130	7788401635		.CIGAR LIGHTER TRIM S/N 823 - 849 AFTER STOCK DEPLETION, ORDER P/N 7080401001 + 7788401636 AND 7445403101		1	OR R
140	7445403100		.CIGAR LIGHTER TRIM ILLUMINATED SECTION S/N 823 - 849 AFTER STOCK DEPLETION, ORDER P/N 7080401001 + 7788401636 AND 7445403101		1	OR R

- ITEM NOT ILLUSTRATED

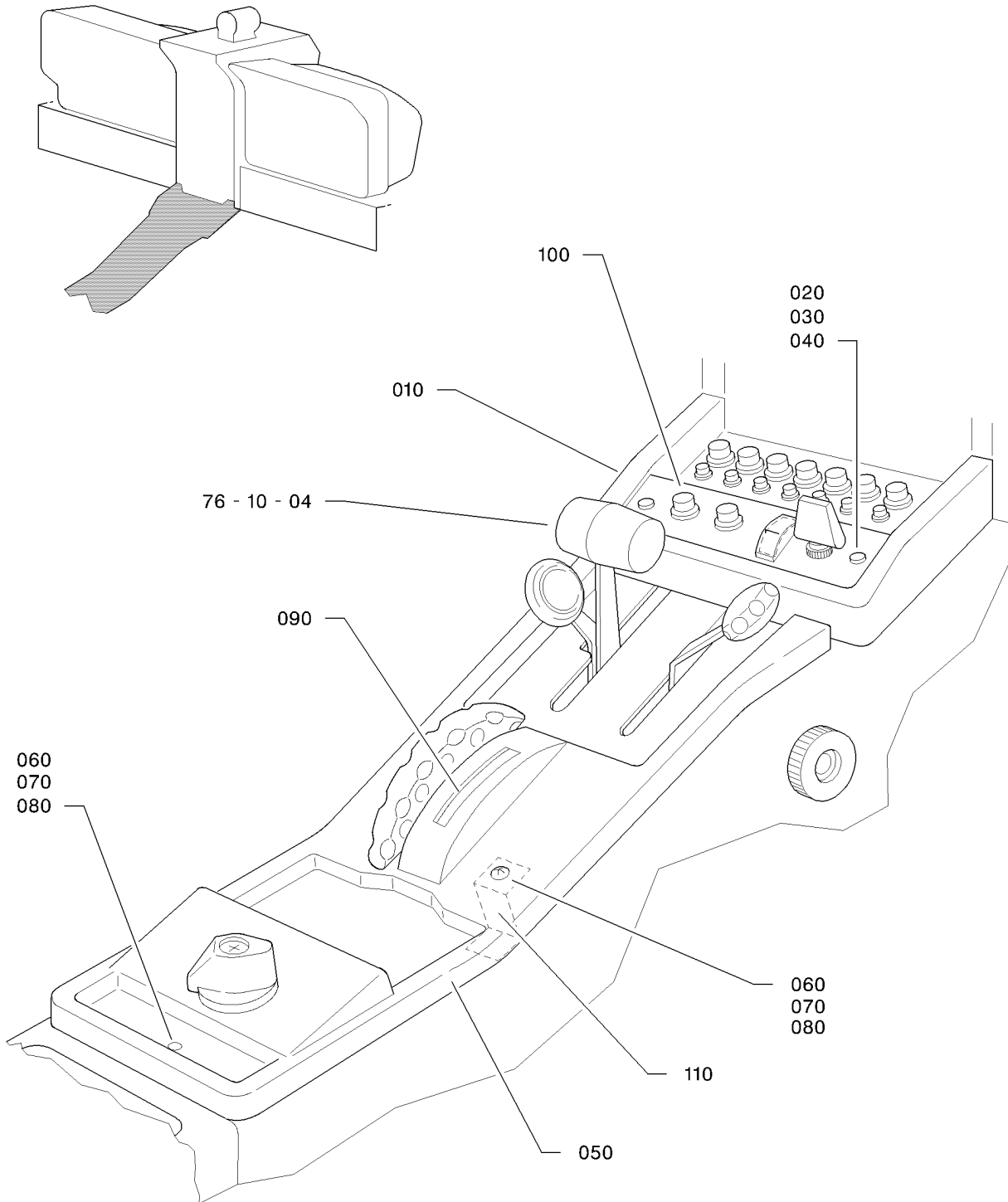
25-14-00

FIG. 1E

PAGE 1

NOV 30/18

S/N 731 - 764, 766 - 878, WITH FIXED-PITCH PROPELLER



I4251400AAA EUZ4301

CENTRAL PEDESTAL
FIGURE 1F

25-14-00

FIG. 1F

PAGE 0 R

NOV 30/18

FIG. ITEM	PART NUMBER	1234567 	NOMENCLATURE	EFFECT FROM TO	UNITS PER ASSY	OBS
1F- 1	TF25-14-00-01F-001		CENTRAL PEDESTAL		RF	
10	TB10 74040401		.CENTRAL PEDESTAL FRONT SECTION S/N 731 - 1149 NOT VALID FOR FLAP PRESELECTION CONTROL OPTION		1	OR
- 10A	TB10 74040402		.CENTRAL PEDESTAL FRONT SECTION S/N 1150 - 9999 ATTACHING PARTS		1	OR
20	5147963089		.SCREW		2	
30	5735053160		.CUP WASHER RPLD BY 7743700204		2	OR
- 30A	7743700204		.CUP WASHER RPLS 5735053160		2	
40	5385835514		.NUT * * *		2	R
50	TB20 76068018		.PEDESTAL ASSY WITHOUT UPHOLSTERING RPLD BY TB09 7623000400		1	OR R
- 50A	TB09 7623000400		.PEDESTAL ASSY WITHOUT UPHOLSTERING RPLS TB20 76068018		1	R
- 50B	TB09 76230000		.PEDESTAL ASSY WITH UPHOLSTERING ATTACHING PARTS		1	R
60	5147963089		.SCREW		2	
70	5735053160		.CUP WASHER RPLD BY 7743700204		2	OR
- 70A	7743700204		.CUP WASHER RPLS 5735053160		2	
80	5385835514		.NUT * * *		2	R
90	TB10 76001111		.PLEXIGLAS		1	
100	TB10 74089100		.SWITCH-BREAKER GUARD		2	
110	TB20 76068146		.BRACKET		1	

- ITEM NOT ILLUSTRATED

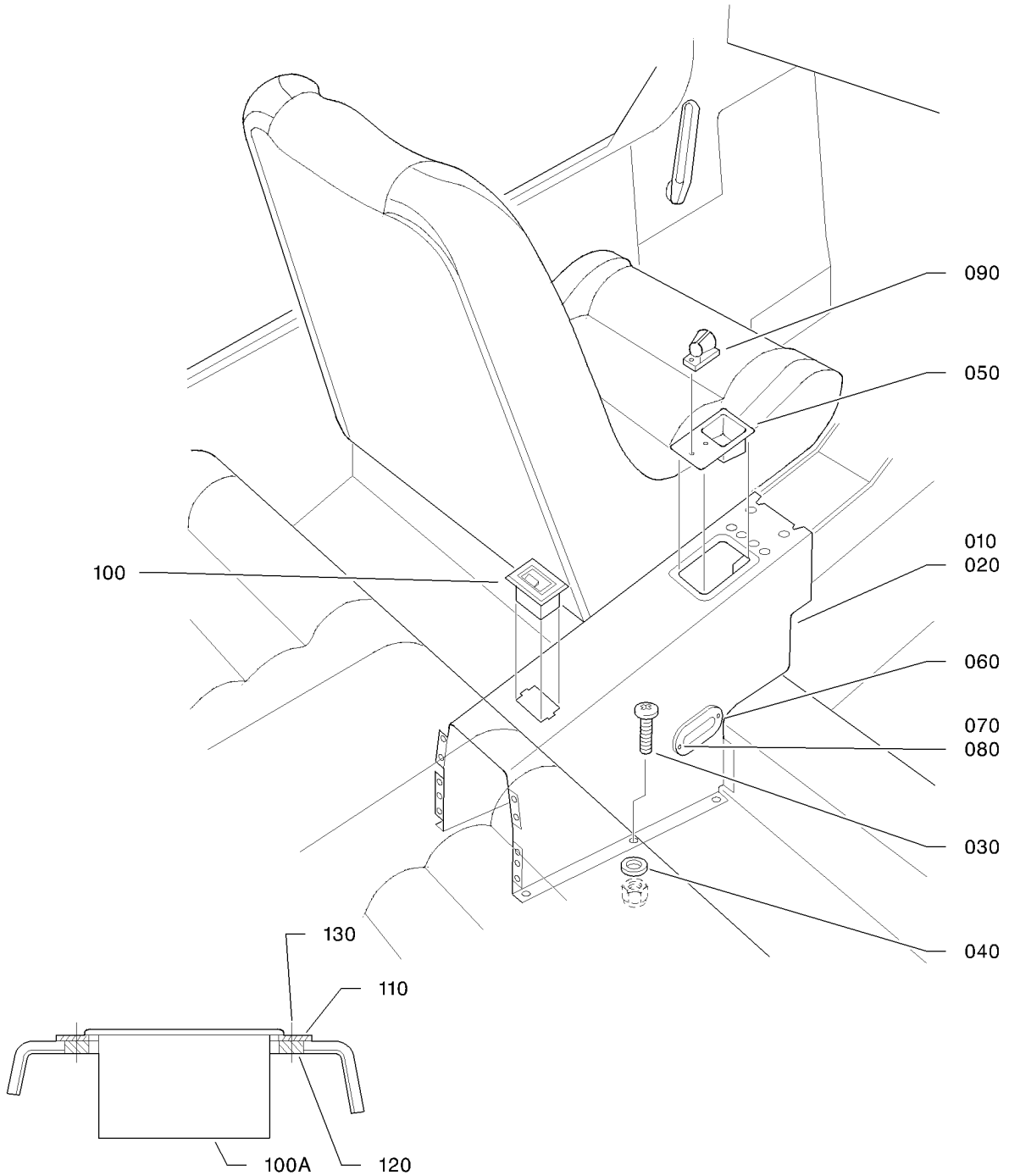
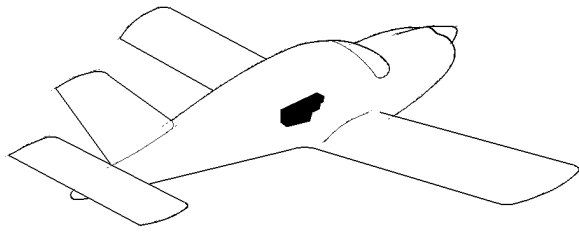
25-14-00

FIG. 1F

PAGE 1

NOV 30/18

S/N 765, 879 - 9999



TUNNEL
FIGURE 1

25-15-00

FIG. 1
PAGE 0 R

NOV 30/18

FIG.ITEM	PART NUMBER	1234567 	NOMENCLATURE	EFFECT FROM TO	UNITS PER ASSY	OBS
1 - 1	TF25-15-00-01-001		TUNNEL		RF	
10	TB10 76013101		.UPHOLSTERED TUNNEL ASSY S/N 1 - 584		1	OR
- 10A	TB10 76013304		.UPHOLSTERED TUNNEL ASSY S/N 585 - 587		1	OR
- 10B	TB10 76013404		.UPHOLSTERED TUNNEL ASSY S/N 589 - 599, 601 - 609		1	OR
20	TB10 76013110		..BARE TUNNEL S/N 1 - 584		1	OR
- 20A	TB10 76013126		..BARE TUNNEL S/N 585 - 587, 589 - 599, 601 - 609		1	OR
			ATTACHING PARTS			
30	5169911078		..SCREW		10	
40	5385835514		..NUT * * *		10	R
50	TB10 76013112		.MICROPHONE RECESS		1	
60	TB10 76013127		.GUIDE ATTACHING PARTS		2	
70	7907680679		.SCREW OPT TO 679 NOIRE MADE BY VFA870		4	R
80	7743700204		.CUP WASHER * * *		4	
90	TB10 76048401		.MICROPHONE SUPPORT		1	
100	7156018701		.ASHTRAY S/N 1 - 239		1	OR
100A	7156012120		.ASHTRAY VA3360 OPT TO 11657-61020-00-0 MADE BY VA3360 S/N 1 - 587, 589 - 599, 601 - 609		1	OR
			ATTACHING PARTS			
110	TB10 76013129		.PLATE S/N 1 - 587, 589 - 599, 601 - 609		1	OR
120	TB10 76013130		.SHIM S/N 1 - 587, 589 - 599, 601 - 609		2	OR
130	7907680679		.SCREW OPT TO 679 NOIRE MADE BY VFA870 S/N 1 - 587, 589 - 599, 601 - 609 * * *		4	R

- ITEM NOT ILLUSTRATED

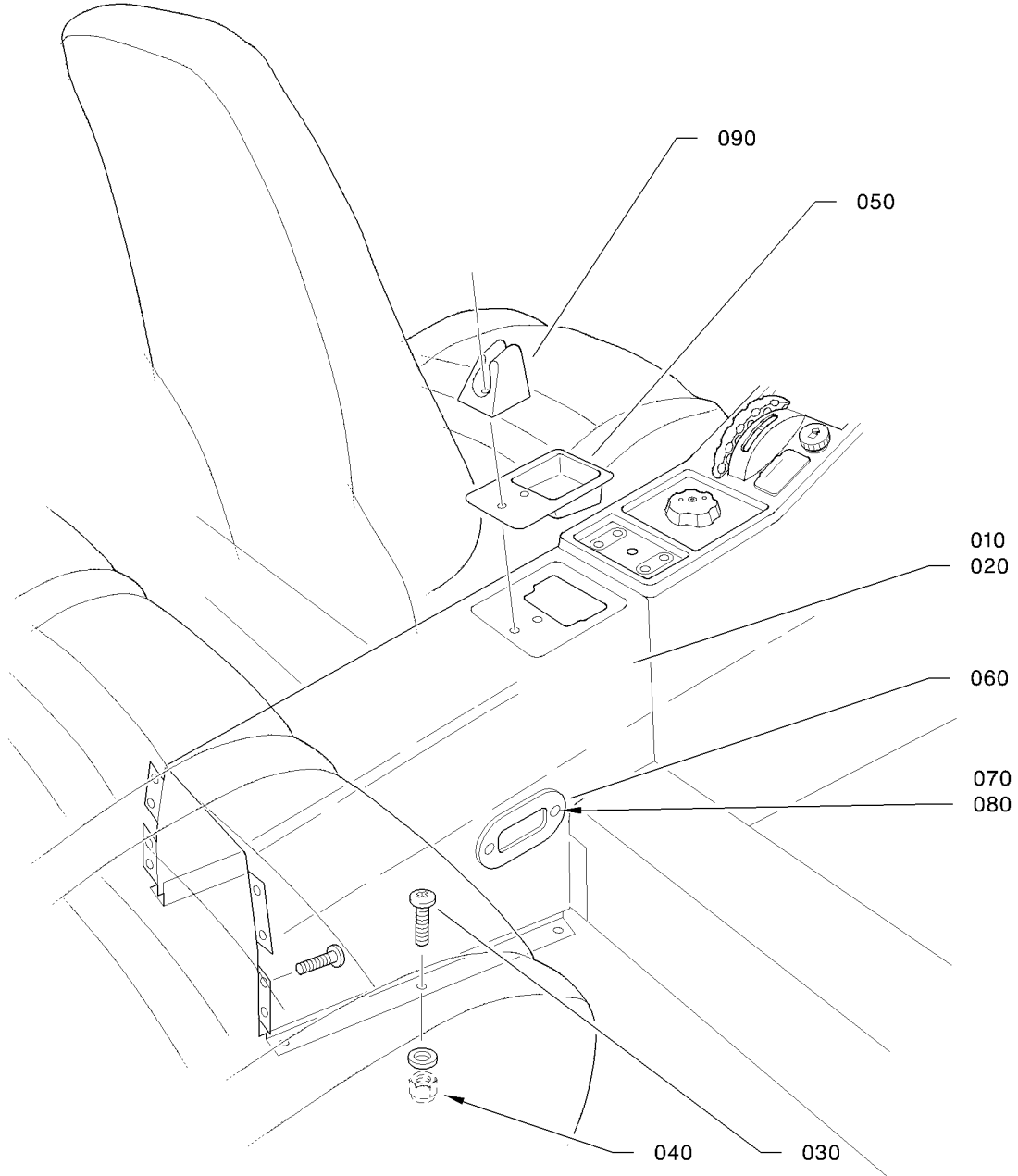
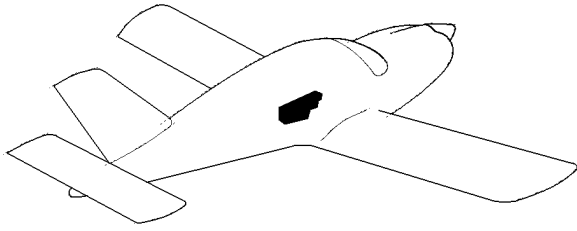
25-15-00

FIG. 1

PAGE 1

NOV 30/18

S/N 1 - 587, 589 - 599, 601 - 609



14251500AAAHUZ4300

TUNNEL
FIGURE 1A

25-15-00

FIG. 1A

PAGE 0 R

NOV 30/18

FIG.ITEM	PART NUMBER	NOMENCLATURE		EFFECT FROM TO	UNITS PER ASSY	OBS
		1234567 				
1A- 1	TF25-15-00-01A-001		TUNNEL		RF	
10	TB10 76070404		.UPHOLSTERED TUNNEL ASSY		1	OR
20	TB10 76070126		..BARE TUNNEL		1	OR
			ATTACHING PARTS			
30	5169911078		..SCREW		10	
40	5385835514		..NUT		10	R
			* * *			
50	TB10 76013112		.MICROPHONE RECESS		1	
60	TB10 76013127		.GUIDE		2	
			ATTACHING PARTS			
70	7907680679		.SCREW		4	R
			OPT TO 679 NOIRE MADE BY VFA870			
80	7743700204		.CUP WASHER		4	
			* * *			
90	TB10 76048401		.MICROPHONE SUPPORT		1	

- ITEM NOT ILLUSTRATED

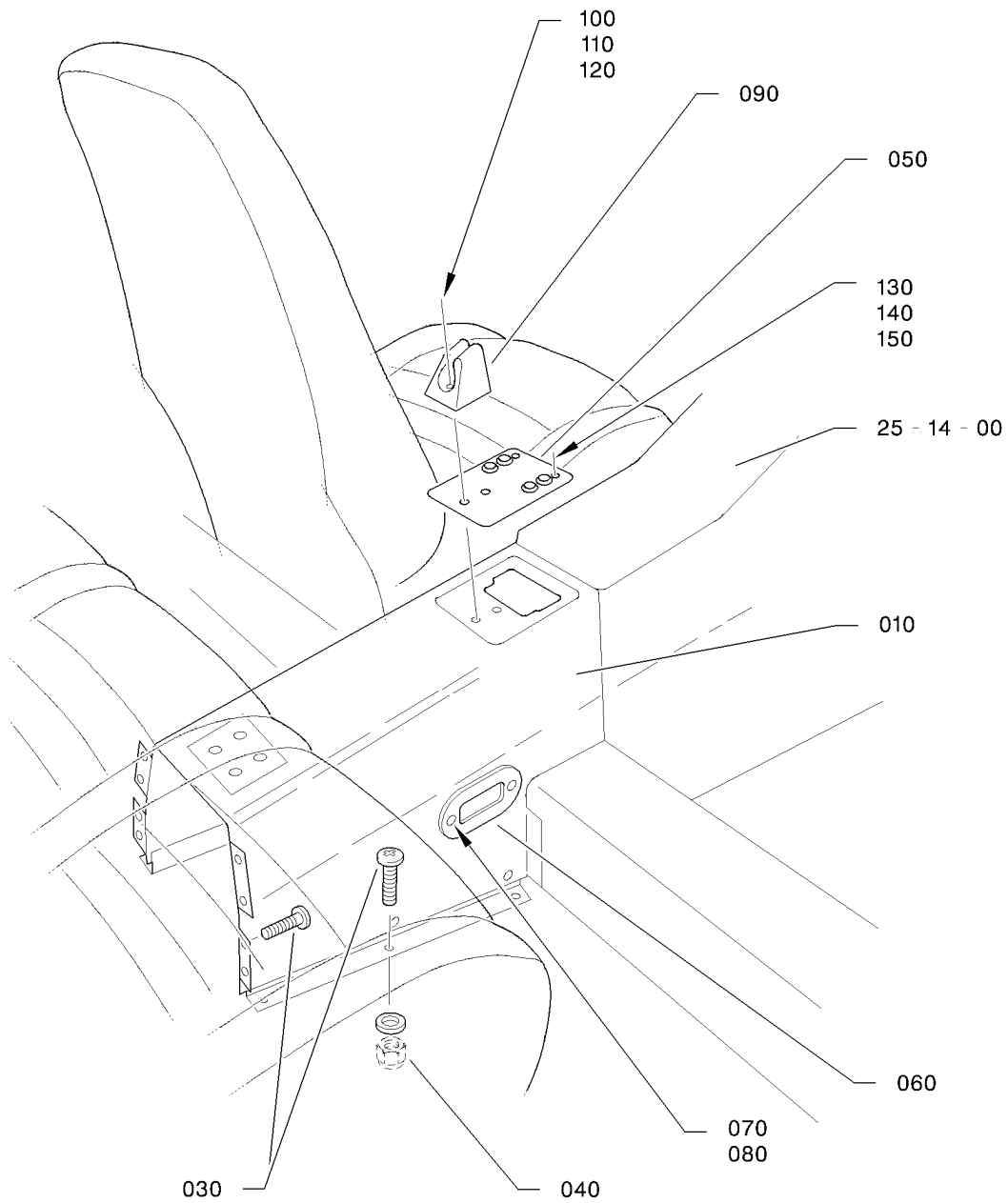
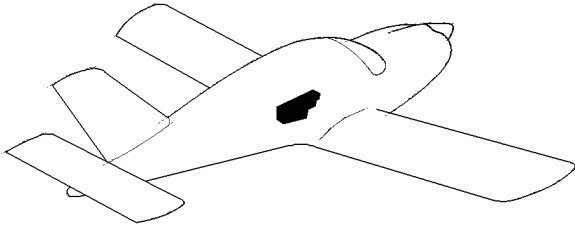
25-15-00

FIG. 1A

PAGE 1

NOV 30/18

S/N 588, 600, 610 - 730



I4251500AAAAYZ4302

TUNNEL
FIGURE 1B

25-15-00

FIG. 1B

PAGE 0 R

NOV 30/18

FIG.ITEM	PART NUMBER	NOMENCLATURE		EFFECT FROM TO	UNITS PER ASSY	OBS
		1	234567			
1B- 1	TF25-15-00-01B-001	TUNNEL			RF	
10	TB20 76068401	.UPHOLSTERED TUNNEL ASSY ATTACHING PARTS			1	OR
30	5169911078	.SCREW			10	
40	5385835514	.NUT * * *			10	R
50	TB20 76068016	.JACK SUPPORT ASSY			1	
60	TB10 76013127	.GUIDE RPLD BY TB10 76013137			2	
- 60A	TB10 76013137	.GUIDE RPLS TB10 76013127 ATTACHING PARTS			2	
70	7907680679	.SCREW OPT TO 679 NOIRE MADE BY VFA870			4	R
80	7743700204	.CUP WASHER * * *			4	
90	TB10 76048401	.MICROPHONE SUPPORT ATTACHING PARTS			1	
100	5111943086	.SCREW			2	
110	5706039160	.WASHER OPT TO NFL23116AD040L MADE BY VF0111			2	R
120	5421218040	.ANCHOR NUT, TWO LUG OPT TO 4SR1009M MADE BY VF0224			2	R
130	5147963089	.SCREW			2	
140	5735053160	.CUP WASHER RPLD BY 7743700204			2	OR
-140A	7743700204	.CUP WASHER RPLS 5735053160			2	
150	5431218040	.ANCHOR NUT, ONE LUG OPT TO 4SR2009M MADE BY VF0224 * * *			2	R

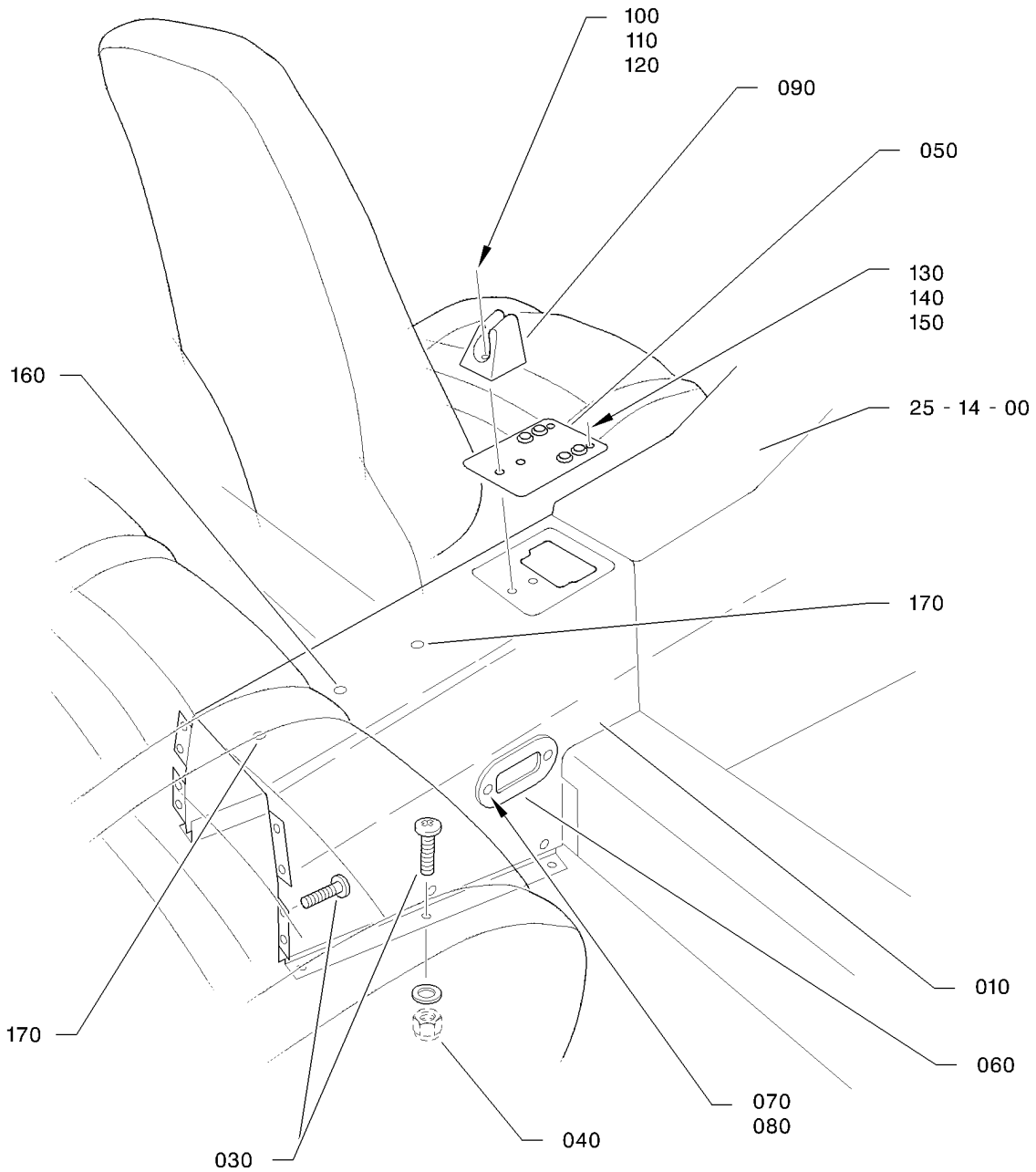
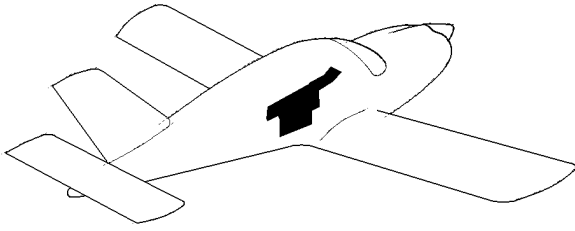
- ITEM NOT ILLUSTRATED

25-15-00

FIG. 1B

PAGE 1

NOV 30/18



I4251500AAAAAUZ4800

TUNNEL
FIGURE 1C

25-15-00

FIG. 1C

PAGE 0 R

NOV 30/18

FIG.ITEM	PART NUMBER	NOMENCLATURE	EFFECT FROM TO	UNITS PER ASSY	OBS
		1234567 			
1C- 1	TF25-15-00-01C-001	TUNNEL		RF	
10	TB20 76068003	.UPHOLSTERED TUNNEL ASSY PRE-MOD. 151		1	
- 10A	TB20 76068823	.UPHOLSTERED TUNNEL ASSY BLUE POST-MOD. 151		1	R
- 10B	TB20 76068923	.UPHOLSTERED TUNNEL ASSY "FICELLE" POST-MOD. 151		1	R
		ATTACHING PARTS			
30	5169911078	.SCREW		10	
40	5385835514	.NUT		10	R
		* * *			
50	TB20 76068016	.JACK SUPPORT ASSY		1	
60	TB10 76013127	.GUIDE		2	
		RPLD BY TB10 76013137			
- 60A	TB10 76013137	.GUIDE		2	
		RPLS TB10 76013127			
		ATTACHING PARTS			
70	7907680679	.SCREW		4	R
		OPT TO 679 NOIRE MADE BY VFA870			
80	7743700204	.CUP WASHER		4	
		* * *			
90	TB10 76048401	.MICROPHONE SUPPORT		1	
		ATTACHING PARTS			
100	5111943086	.SCREW		2	
110	5706039160	.WASHER		2	R
		OPT TO NFL23116AD040L MADE BY VF0111			
120	5421218040	.ANCHOR NUT, TWO LUG		2	R
		OPT TO 4SR1009M MADE BY VF0224			
130	5147963089	.SCREW		2	
140	5735053160	.CUP WASHER		2	OR
		RPLD BY 7743700204			
-140A	7743700204	.CUP WASHER		2	
		RPLS 5735053160			
150	5431218040	.ANCHOR NUT, ONE LUG		2	R
		OPT TO 4SR2009M MADE BY VF0224			
160	7130112211	.PLUG		1	
170	7083745121	.BLANKING PLUG VF0712		2	
		OPT TO 52880-790-921 MADE BY VF0712			
		* * *			

- ITEM NOT ILLUSTRATED

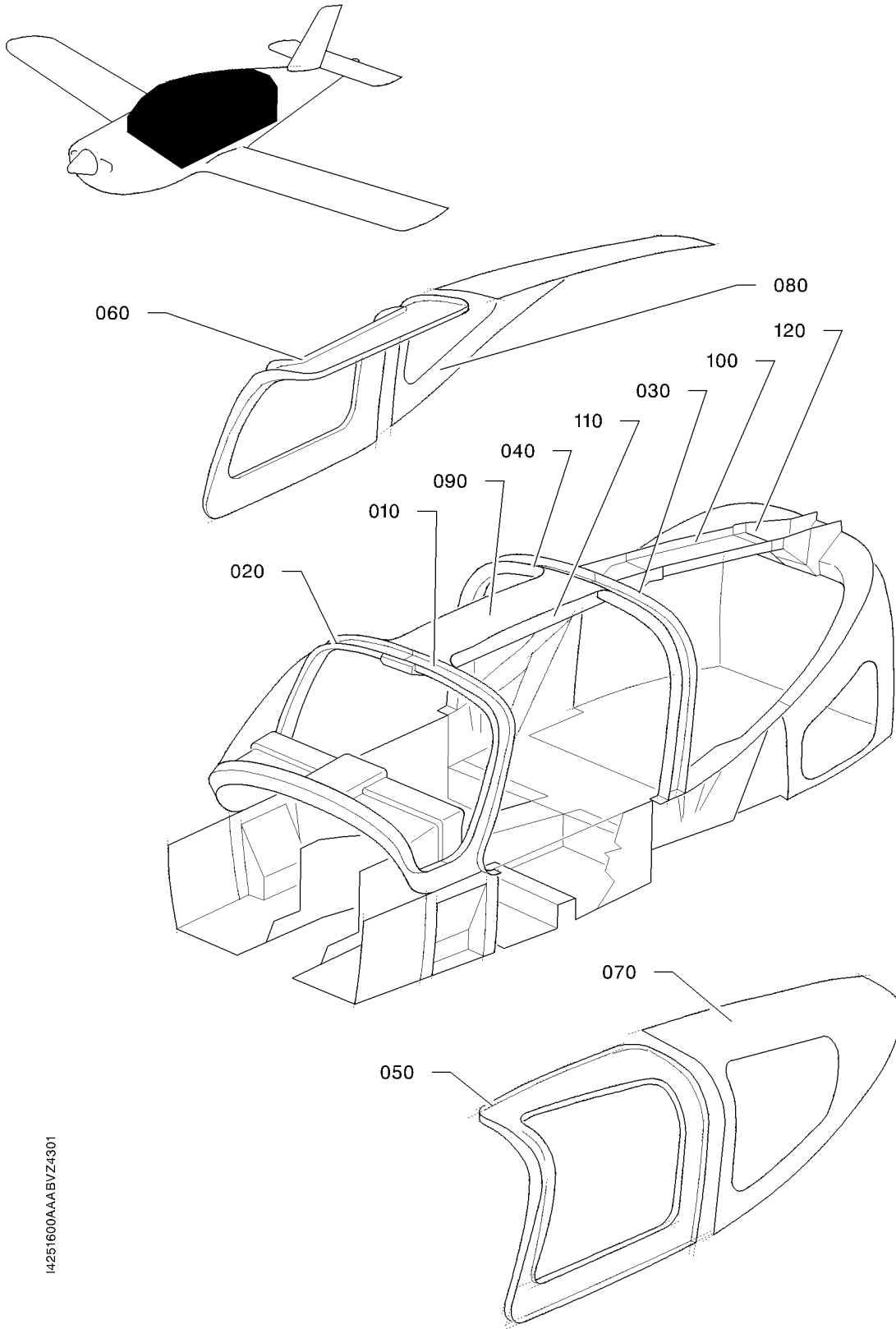
25-15-00

FIG. 1C

PAGE 1

NOV 30/18

S/N 765, 879 - 9999



I4251600AAABVZ4301

UPPER DUCT - "BLUE" UPHOLSTERING
FIGURE 1

25-16-00

FIG. 1

PAGE 0 R

NOV 30/18

FIG.ITEM	PART NUMBER	NOMENCLATURE		EFFECT FROM TO	UNITS PER ASSY	OBS
		1234567 				
1 - 1	TB25-16-00-01-001		UPPER DUCT - "BLUE" UPHOLSTERING		RF	
10	TB10 74003206		.L.H. FRONT FORMER		1	
20	TB10 74003205		.R.H. FRONT FORMER		1	
30	TB10 74003207		.L.H. REAR FORMER		1	
40	TB10 74003208		.R.H. REAR FORMER		1	
50	TB10 74003214		.L.H. DOOR UPHOLSTERING		1	
60	TB10 74003215		.R.H. DOOR UPHOLSTERING		1	
70	TB10 74003232		.L.H. REAR UPPER DUCT		1	
80	TB10 74003233		.R.H. REAR UPPER DUCT		1	
90	TB10 74003234		.UPHOLSTERING		1	
100	TB10 74101202		.CENTRAL UPPER SECTION S/N 1 - 479		1	OR
-100A	TB10 73008204		.CENTRAL UPPER SECTION S/N 480 - 587		1	OR
110	TB10 74031202		.FRONT UPPER DUCT S/N 1 - 479		1	OR
-110A	TB10 74031205		.FRONT UPPER DUCT S/N 480 - 587		1	OR
120	TB10 74101201		.VENTILATION COVER ASSY S/N 1 - 479		1	OR
-120A	TB10 74101205		.VENTILATION COVER ASSY S/N 480 - 587		1	OR

- ITEM NOT ILLUSTRATED

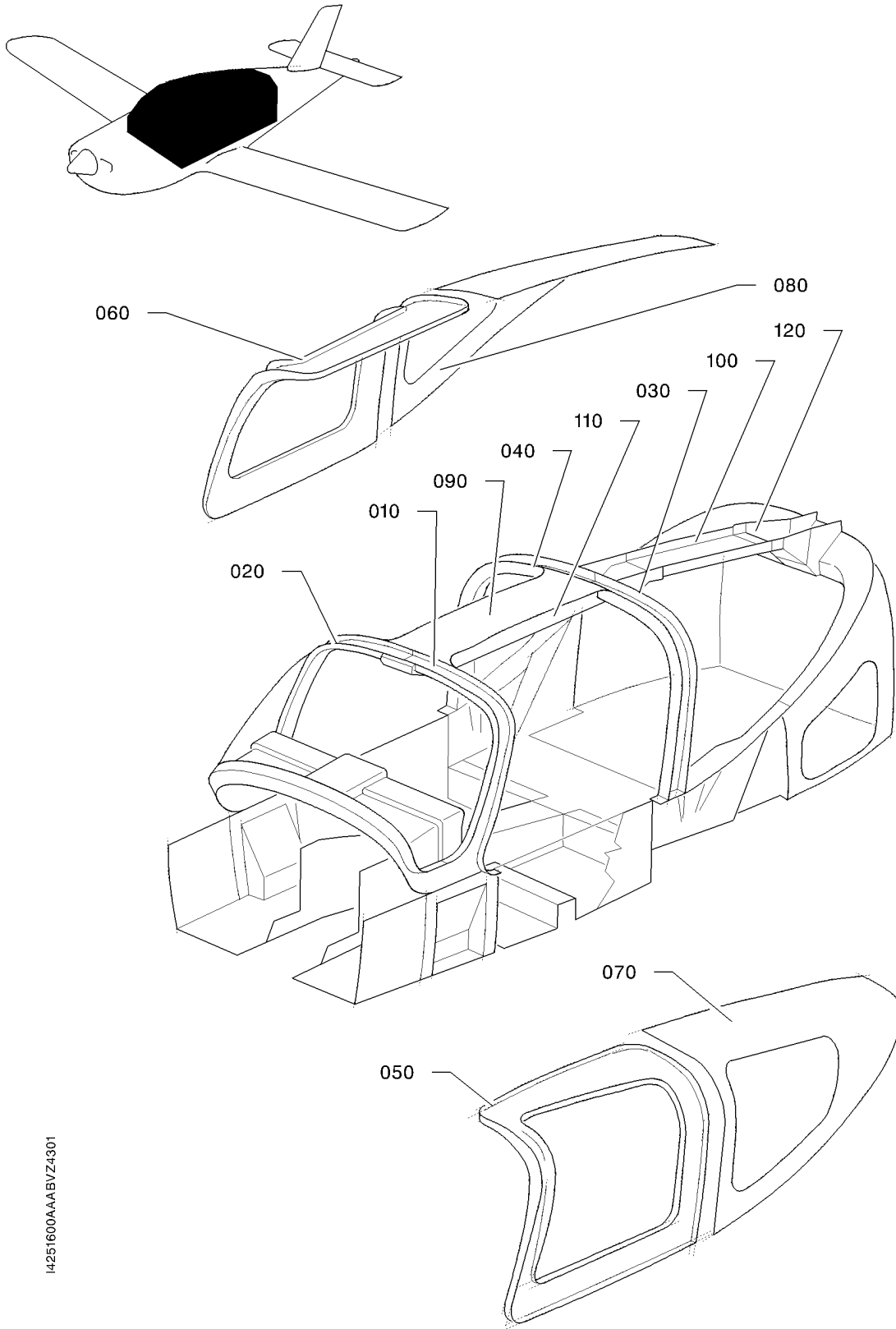
25-16-00

FIG. 1

PAGE 1 R

NOV 30/18

S/N 1 - 587 BLUE



I4251600AAABVZ4301

UPPER DUCT - "BROWN" UPHOLSTERING
FIGURE 1A

25-16-00

FIG. 1A

PAGE 0 R

NOV 30/18

FIG.ITEM	PART NUMBER	NOMENCLATURE		EFFECT FROM TO	UNITS PER ASSY	OBS
		1234567 				
1A- 1	TB25-16-00-01A-001		UPPER DUCT - "BROWN" UPHOLSTERING		RF	
10	TB10 74003306		.L.H. FRONT FORMER		1	
20	TB10 74003305		.R.H. FRONT FORMER		1	
30	TB10 74003307		.L.H. REAR FORMER		1	
40	TB10 74003308		.R.H. REAR FORMER		1	
50	TB10 74003314		.L.H. DOOR UPHOLSTERING		1	
60	TB10 74003315		.R.H. DOOR UPHOLSTERING		1	
70	TB10 74003332		.L.H. REAR UPPER DUCT		1	
80	TB10 74003333		.R.H. REAR UPPER DUCT		1	
90	TB10 74003334		.UPHOLSTERING		1	
100	TB10 74101302		.CENTRAL UPPER SECTION S/N 1 - 479		1	OR
-100A	TB10 73008304		.CENTRAL UPPER SECTION S/N 480 - 587		1	OR
110	TB10 74031302		.FRONT UPPER DUCT S/N 1 - 479		1	OR
-110A	TB10 74031305		.FRONT UPPER DUCT S/N 480 - 587		1	OR
120	TB10 74101301		.VENTILATION COVER ASSY S/N 1 - 479		1	OR
-120A	TB10 74101305		.VENTILATION COVER ASSY S/N 480 - 587		1	OR

- ITEM NOT ILLUSTRATED

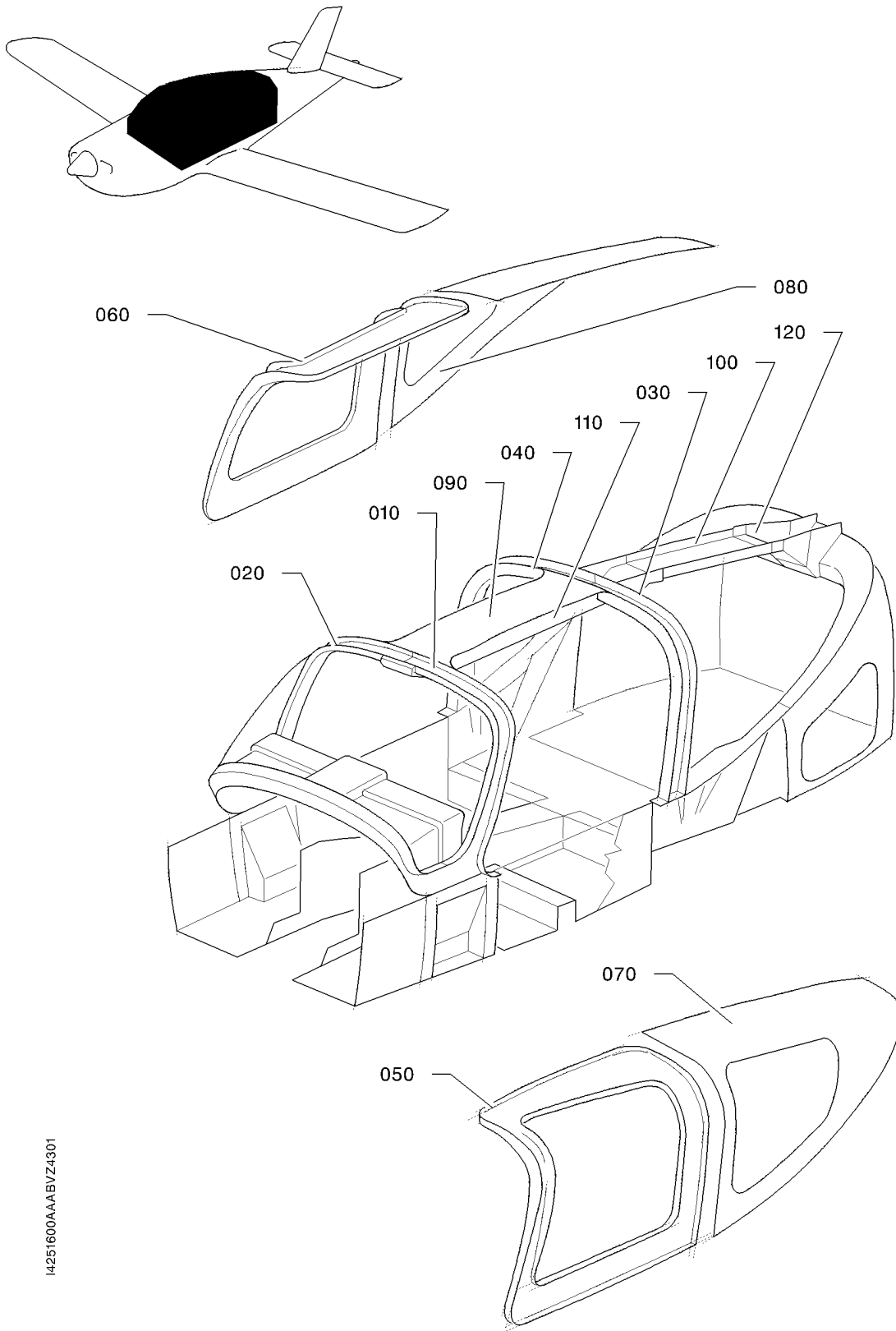
25-16-00

FIG. 1A

PAGE 1 R

NOV 30/18

S/N 1 - 587 BROWN



I4251600AAABVZ4301

UPPER DUCT - "CENDRE" UPHOLSTERING
FIGURE 1B

25-16-00

FIG. 1B

PAGE 0 R

NOV 30/18

FIG.ITEM	PART NUMBER	NOMENCLATURE		EFFECT FROM TO	UNITS PER ASSY	OBS
		1234567 				
1B- 1	TB25-16-00-01B-001		UPPER DUCT - "CENDRE" UPHOLSTERING		RF	
10	TB10 74003506		.L.H. FRONT FORMER		1	OR
20	TB10 74003505		.R.H. FRONT FORMER		1	OR
30	TB10 74003507		.L.H. REAR FORMER		1	OR
40	TB10 74003508		.R.H. REAR FORMER		1	OR
50	TB10 74003514		.L.H. DOOR UPHOLSTERING		1	OR
60	TB10 74003515		.R.H. DOOR UPHOLSTERING		1	OR
70	TB10 74004532		.L.H. REAR UPPER DUCT		1	
80	TB10 74004533		.R.H. REAR UPPER DUCT		1	
90	TB10 74004534		.UPHOLSTERING		1	
100	TB10 73008504		.CENTRAL UPPER SECTION		1	OR
110	TB10 74031505		.FRONT UPPER DUCT		1	OR
120	TB10 74101505		.VENTILATION COVER ASSY		1	

- ITEM NOT ILLUSTRATED

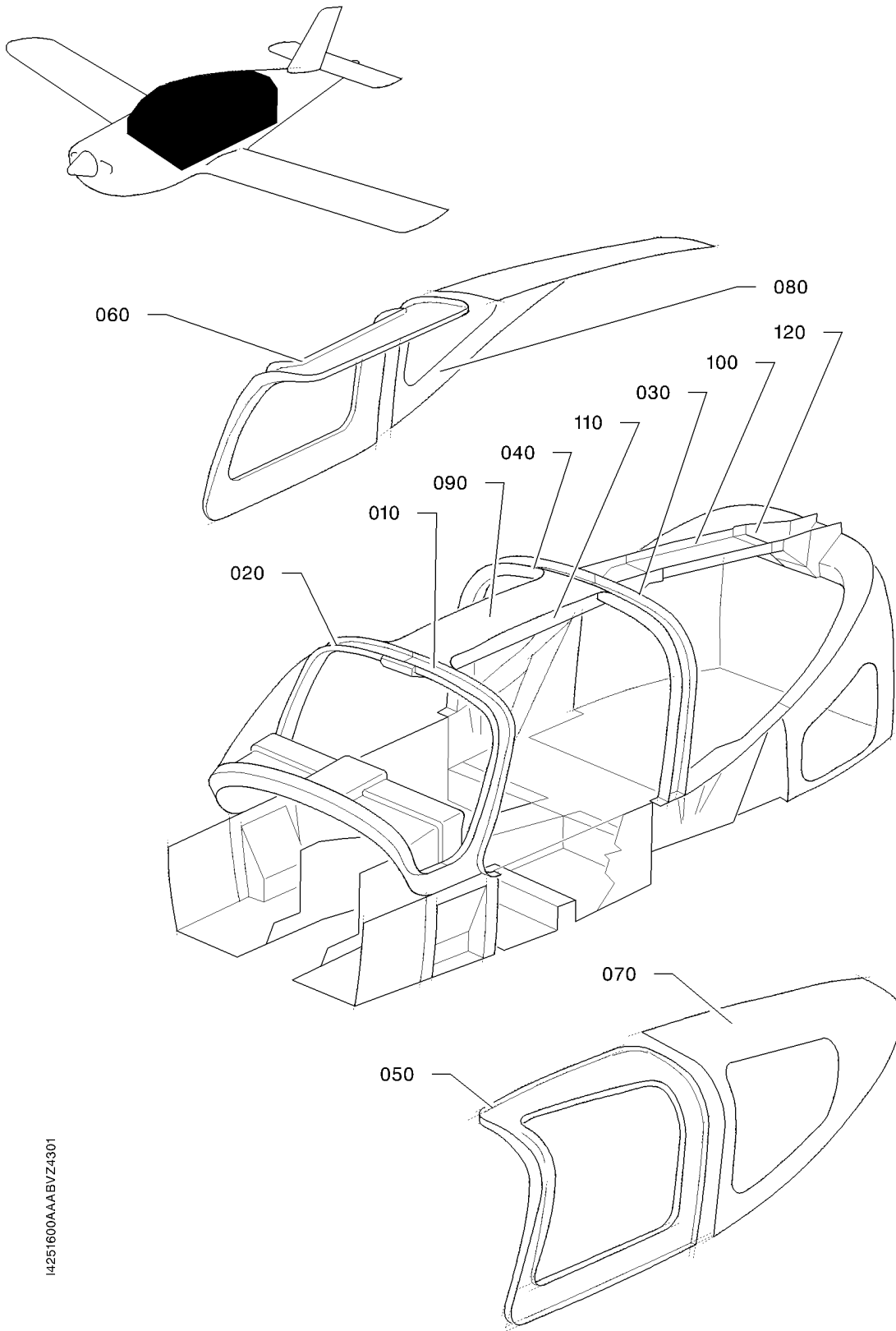
25-16-00

FIG. 1B

PAGE 1 R

NOV 30/18

S/N 589 - 599, 601 - 609, "CENDRE"



I4251600AAABVZ4301

UPPER DUCT - "SABLE" UPHOLSTERING
FIGURE 1C

25-16-00

FIG. 1C

PAGE 0 R

NOV 30/18

FIG.ITEM	PART NUMBER	NOMENCLATURE		EFFECT FROM TO	UNITS PER ASSY	OBS
		1234567 				
1C- 1	TB25-16-00-01C-001		UPPER DUCT - "SABLE" UPHOLSTERING		RF	
10	TB10 74003606		.L.H. FRONT FORMER		1	OR
20	TB10 74003605		.R.H. FRONT FORMER		1	OR
30	TB10 74003607		.L.H. REAR FORMER		1	OR
40	TB10 74003608		.R.H. REAR FORMER		1	OR
50	TB10 74003614		.L.H. DOOR UPHOLSTERING		1	OR
60	TB10 74003615		.R.H. DOOR UPHOLSTERING		1	OR
70	TB10 74004632		.L.H. REAR UPPER DUCT		1	
80	TB10 74004633		.R.H. REAR UPPER DUCT		1	
90	TB10 74004634		.UPHOLSTERING		1	
100	TB10 73008604		.CENTRAL UPPER SECTION		1	OR
110	TB10 74031605		.FRONT UPPER DUCT		1	OR
120	TB10 74101605		.VENTILATION COVER ASSY		1	

- ITEM NOT ILLUSTRATED

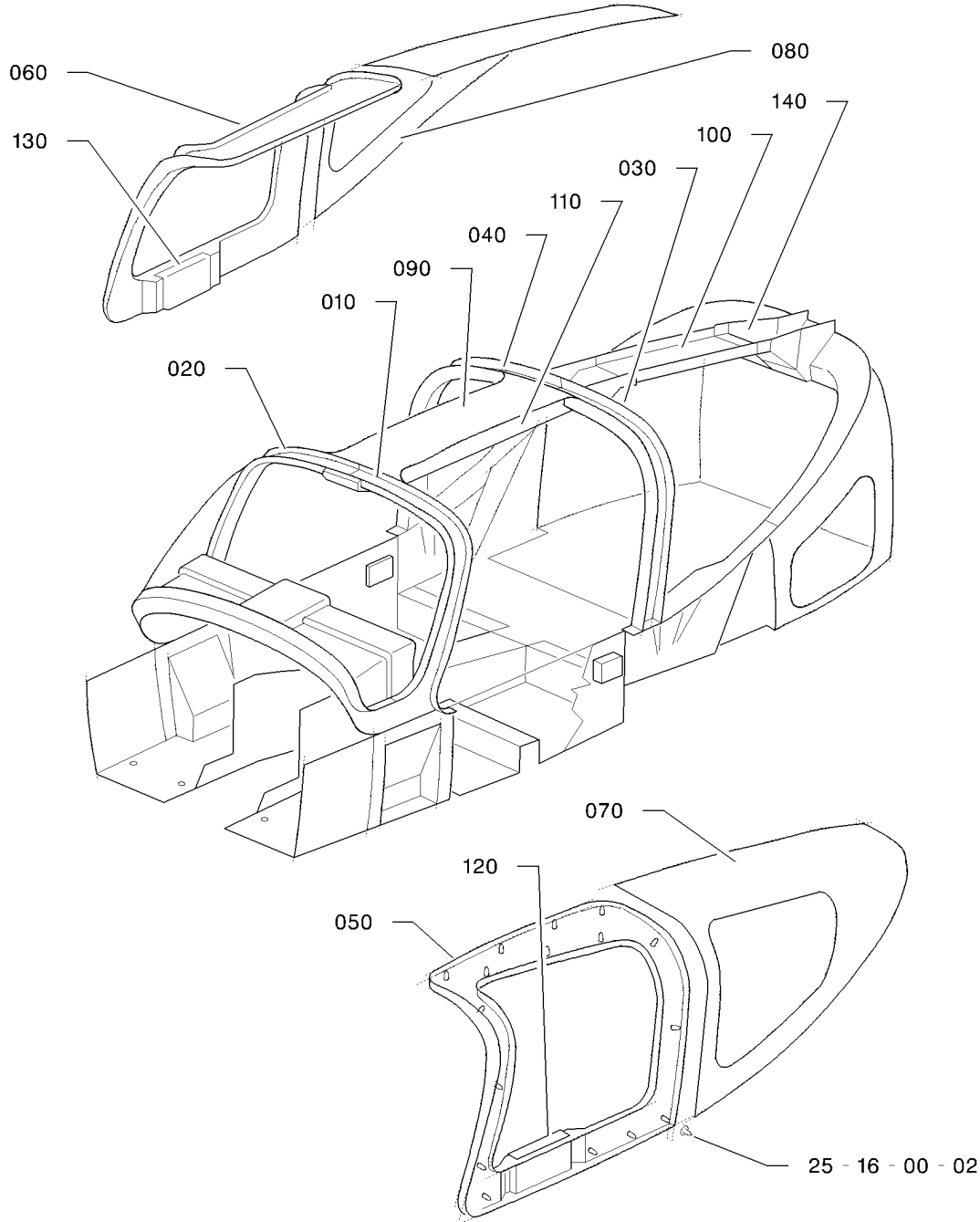
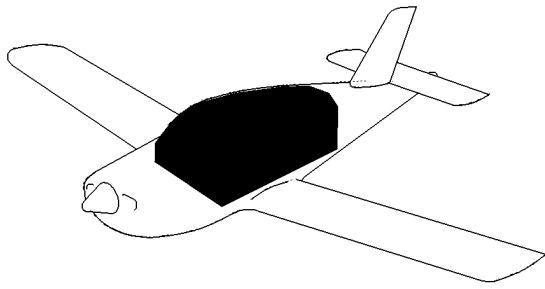
25-16-00

FIG. 1C

PAGE 1 R

NOV 30/18

S/N 589 - 599, 601 - 609, "SABLE"



I4251600AAAYZ4302

UPPER DUCT - "CENDRE" UPHOLSTERING
FIGURE 1D

25-16-00

FIG. 1D

PAGE 0 R

NOV 30/18

FIG. ITEM	PART NUMBER	1234567 	NOMENCLATURE	EFFECT FROM TO	UNITS PER ASSY	OBS
1D- 1	TF25-16-00-01D-001		UPPER DUCT - "CENDRE" UPHOLSTERING		RF	
10	TB10 74043500		.L.H. FRONT FORMER		1	
20	TB10 74043501		.R.H. FRONT FORMER		1	
30	TB10 74042500		.L.H. REAR FORMER		1	NP R
			SUPSD BY TB10 7404250490			
- 30A	TB10 7404250490		.L.H. REAR FORMER		1	R
			SUPSDS TB10 74042500			
40	TB10 74042501		.R.H. REAR FORMER		1	NP R
			SUPSD BY TB10 7404250590			
- 40A	TB10 7404250590		.R.H. REAR FORMER		1	R
			SUPSDS TB10 74042501			
50	TB10 74007500		.L.H. DOOR UPHOLSTERING		1	OR R
			S/N 588, 600, 610, 762			
			ORDER IMPERATIVELY WITH KNOBS			
			7130408741 (QTY 16) +			
			RECEPTACLES 7136680411 (QTY 16)			
			+ REINFORCEMENT PLATES TB10			
			74006107 (QTY 13) + BRIDGE TB10			
			74006108 (QTY 1) + RIVETS			
			5535359149 (QTY 52) + RIVETS			
			5536342404 (QTY 2)			
			RPLD BY TB10 74006500			
- 50A	TB10 74006500		.L.H. DOOR UPHOLSTERING		1	OR R
			ORDER IMPERATIVELY WITH KNOBS			
			7130408741 (QTY 16) +			
			RECEPTACLES 7136680411 (QTY 16)			
			RPLS TB10 74007500			
60	TB10 74007501		.R.H. DOOR UPHOLSTERING		1	OR R
			S/N 588, 600, 610, 762			
			ORDER IMPERATIVELY WITH KNOBS			
			7130408741 (QTY 16) +			
			RECEPTACLES 7136680411 (QTY 16)			
			+ REINFORCEMENT PLATES TB10			
			74006107 (QTY 13) + BRIDGE TB10			
			74006108 (QTY 1) + RIVETS			
			5535359149 (QTY 52) + RIVETS			
			5536342404 (QTY 2)			
			RPLD BY TB10 74006501			
- 60A	TB10 74006501		.R.H. DOOR UPHOLSTERING		1	OR R
			ORDER IMPERATIVELY WITH KNOBS			
			7130408741 (QTY 16) +			
			RECEPTACLES 7136680411 (QTY 16)			
			RPLS TB10 74007501			
70	TB10 74004532		.L.H. REAR UPPER DUCT		1	
80	TB10 74004533		.R.H. REAR UPPER DUCT		1	
90	TB10 74004534		.UPHOLSTERING		1	
100	TB10 73008504		.CENTRAL UPPER SECTION		1	OR

- ITEM NOT ILLUSTRATED

25-16-00

FIG. 1D

PAGE 1

NOV 30/18

S/N 588, 600, 610 - 764, 766 - 878, "CENDRE"

FIG.ITEM	PART NUMBER	NOMENCLATURE	EFFECT FROM TO	UNITS PER ASSY	OBS
1D 110	TB10 74032500	.FRONT UPPER DUCT		1	OR
120	TB10 74046500	.L.H. FRONT ARMREST		1	
130	TB10 74046501	.R.H. FRONT ARMREST		1	
140	TB10 74101505	.VENTILATION COVER ASSY		1	

- ITEM NOT ILLUSTRATED

25-16-00

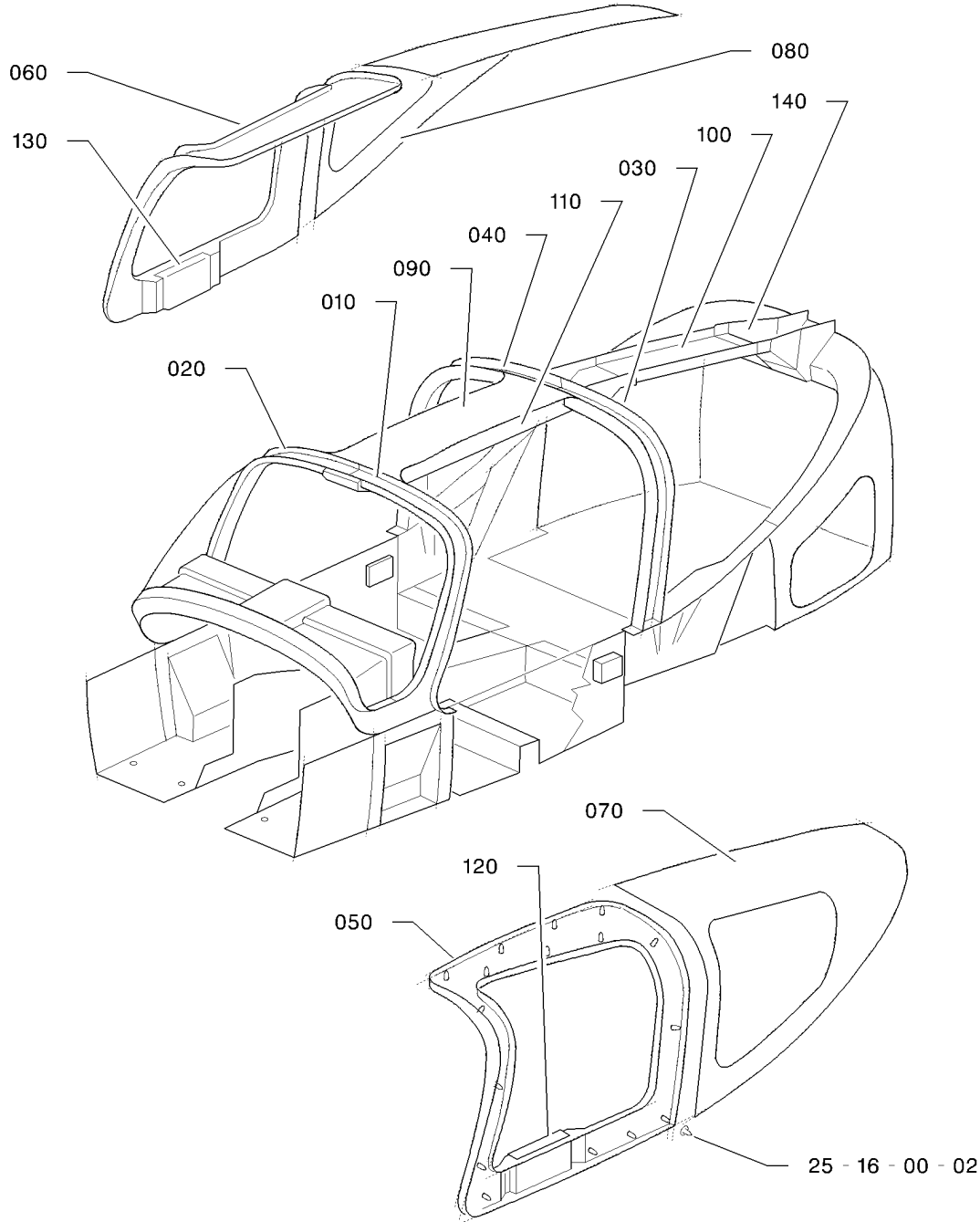
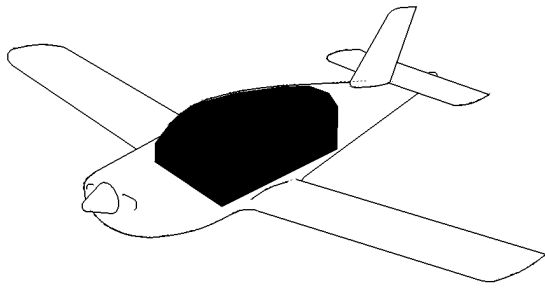
FIG. 1D

PAGE 2 R

NOV 30/18

S/N 588, 600, 610 - 764, 766 - 878, "CENDRE"

PAGE INTENTIONALLY BLANK



I4251600AAAYZ4302

UPPER DUCT - "SABLE" UPHOLSTERING
FIGURE 1E

25-16-00

FIG. 1E

PAGE 0 R

NOV 30/18

FIG.ITEM	PART NUMBER	NOMENCLATURE		EFFECT FROM TO	UNITS PER ASSY	OBS
		1234567 				
1E- 1	TF25-16-00-01E-001		UPPER DUCT - "SABLE" UPHOLSTERING		RF	
10	TB10 74043600		.L.H. FRONT FORMER		1	
20	TB10 74043601		.R.H. FRONT FORMER		1	
30	TB10 74042600		.L.H. REAR FORMER		1	NP R
			SUPSD BY TB10 7404260490			
- 30A	TB10 7404260490		.L.H. REAR FORMER		1	R
			SUPSDS TB10 74042600			
40	TB10 74042601		.R.H. REAR FORMER		1	NP R
			SUPSD BY TB10 7404260590			
- 40A	TB10 7404260590		.R.H. REAR FORMER		1	R
			SUPSDS TB10 74042601			
50	TB10 74007600		.L.H. DOOR UPHOLSTERING		1	OR R
			S/N 588, 600, 610, 762			
			ORDER IMPERATIVELY WITH KNOBS			
			7130408741 (QTY 16) +			
			RECEPTACLES 7136680411 (QTY 16)			
			+ REINFORCEMENT PLATES TB10			
			74006107 (QTY 13) + BRIDGE TB10			
			74006108 (QTY 1) + RIVETS			
			5535359149 (QTY 52) + RIVETS			
			5536342404 (QTY 2)			
			RPLD BY TB10 74006600			
- 50A	TB10 74006600		.L.H. DOOR UPHOLSTERING		1	R
			ORDER IMPERATIVELY WITH KNOBS			
			7130408741 (QTY 16) +			
			RECEPTACLES 7136680411 (QTY 16)			
			RPLS TB10 74007600			
60	TB10 74007601		.R.H. DOOR UPHOLSTERING		1	OR R
			S/N 588, 600, 610, 762			
			ORDER IMPERATIVELY WITH KNOBS			
			7130408741 (QTY 16) +			
			RECEPTACLES 7136680411 (QTY 16)			
			+ REINFORCEMENT PLATES TB10			
			74006107 (QTY 13) + BRIDGE TB10			
			74006108 (QTY 1) + RIVETS			
			5535359149 (QTY 52) + RIVETS			
			5536342404 (QTY 2)			
			RPLD BY TB10 74006601			
- 60A	TB10 74006601		.R.H. DOOR UPHOLSTERING		1	OR R
			ORDER IMPERATIVELY WITH KNOBS			
			7130408741 (QTY 16) +			
			RECEPTACLES 7136680411 (QTY 16)			
			RPLS TB10 74007601			
70	TB10 74004632		.L.H. REAR UPPER DUCT		1	
80	TB10 74004633		.R.H. REAR UPPER DUCT		1	
90	TB10 74004634		.UPHOLSTERING		1	
100	TB10 73008604		.CENTRAL UPPER SECTION		1	OR

- ITEM NOT ILLUSTRATED

25-16-00

FIG. 1E

PAGE 1

NOV 30/18

S/N 588, 600, 610 - 764, 766 - 878, "SABLE"

FIG.ITEM	PART NUMBER	NOMENCLATURE	EFFECT FROM TO	UNITS PER ASSY	OBS
1E 110	TB10 74032600	.FRONT UPPER DUCT		1	OR
120	TB10 74046600	.L.H. FRONT ARMREST		1	
130	TB10 74046601	.R.H. FRONT ARMREST		1	
140	TB10 74101605	.VENTILATION COVER ASSY		1	

- ITEM NOT ILLUSTRATED

25-16-00

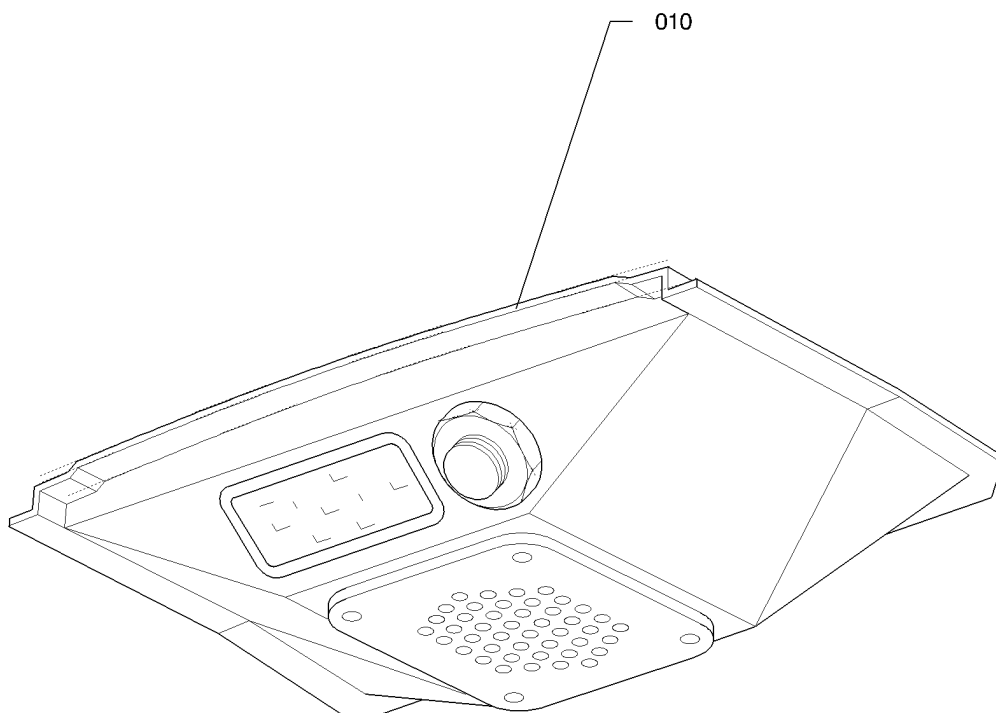
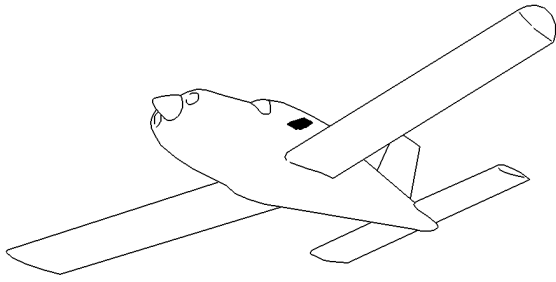
FIG. 1E

PAGE 2 R

NOV 30/18

S/N 588, 600, 610 - 764, 766 - 878, "SABLE"

PAGE INTENTIONALLY BLANK



14251600AALUZ4300

UPPER DUCT - UPHOLSTERING
FIGURE 1F

FIG.ITEM	PART NUMBER	1234567 	NOMENCLATURE	EFFECT FROM TO	UNITS PER ASSY	OBS
1F- 1	TL25-16-00-01F-001		UPPER DUCT - UPHOLSTERING		RF	
10	TB09 74100100		.UPPER DUCT S/N 765, 879 - 1469		1	
- 10A	TB09 64901100		.UPPER DUCT S/N 1470 - 1664 RPLD BY TB09 64901101		1	OR
- 10B	TB09 64901101		.UPPER DUCT S/N 1665 - 9999 RPLS TB09 64901100		1	

R

- ITEM NOT ILLUSTRATED

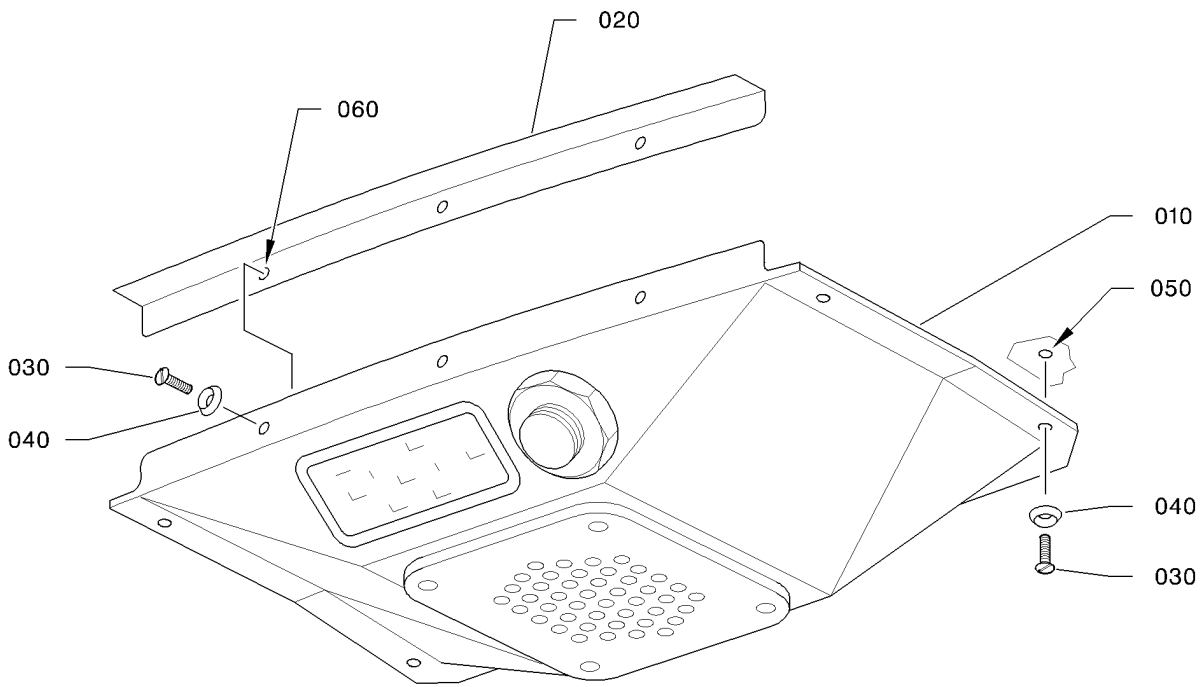
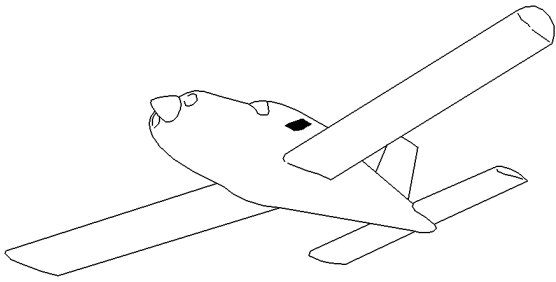
25-16-00

FIG. 1F

PAGE 1

NOV 30/18

S/N 765, 879 - 1762



I4251600AAALUZ4500

UPPER DUCT - UPHOLSTERING
FIGURE 1G

25-16-00

FIG. 1G

PAGE 0 R

NOV 30/18

FIG.ITEM	PART NUMBER	NOMENCLATURE	EFFECT FROM TO	UNITS PER ASSY	OBS
		1234567 			
1G- 1	TL25-16-00-01G-001	UPPER DUCT - UPHOLSTERING		RF	R
10	TB09 7410210001	.SUPPORT		1	
20	TB09 7410110000	.ANGLE ATTACHING PARTS		1	
30	5147963086	.SCREW		9	
40	7743700204	.CUP WASHER		9	
50	5497261640	.NUT		6	
60	5425218040	.ANCHOR NUT, TWO LUG, VF0224 FLOATING OPT TO 4SF5009M MADE BY VF0224 * * *		3	

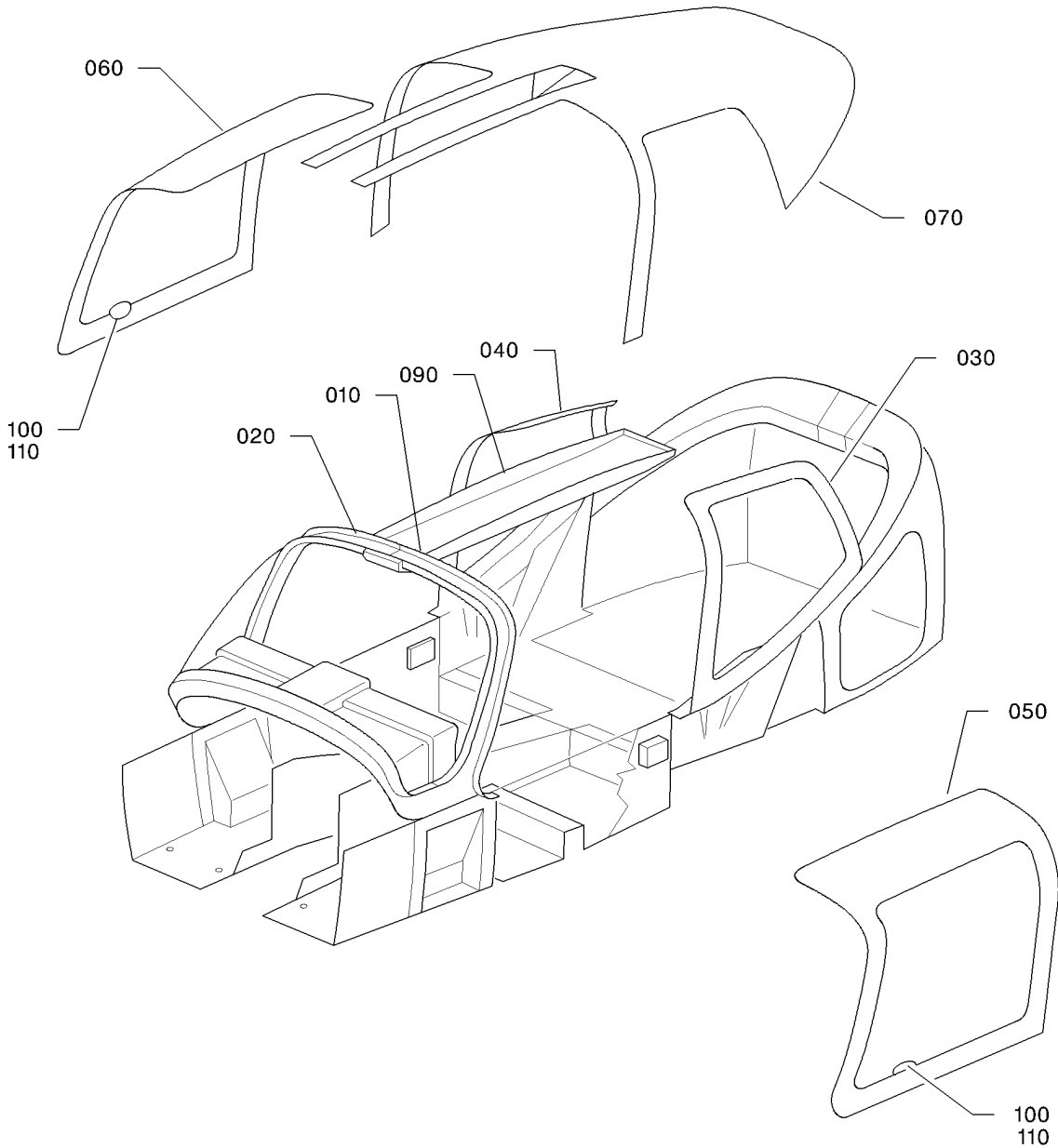
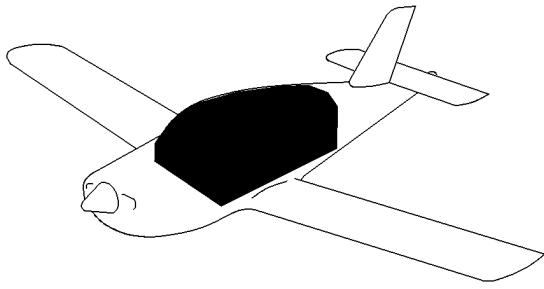
- ITEM NOT ILLUSTRATED

25-16-00

FIG. 1G

PAGE 1

NOV 30/18



I4251600AAUYZ4400

UPPER DUCT - "BLUE ALCANTARA" UPHOLSTERING
FIGURE 1H

25-16-00

FIG. 1H

PAGE 0 R

NOV 30/18

FIG.ITEM	PART NUMBER	1234567 	NOMENCLATURE	EFFECT FROM TO	UNITS PER ASSY	OBS
1H- 1	TF25-16-00-01H-001		UPPER DUCT - "BLUE ALCANTARA" UPHOLSTERING		RF	
10	TB10 7422200330		.L.H. FRONT FORMER		1	
20	TB10 7422200430		.R.H. FRONT FORMER		1	
30	TB10 7422200730		.L.H. REAR TRANSPARENT PANEL FRAME		1	
40	TB10 7422200830		.R.H. REAR TRANSPARENT PANEL FRAME		1	
50	TB10 7422200530		.L.H. DOOR UPHOLSTERING		1	
60	TB10 7422200630		.R.H. DOOR UPHOLSTERING		1	
70	TB10 7422210830		.REAR UPPER DUCT		1	
90	TB10 7422000430		.UPHOLSTERED OVERHEAD DUCT		1	
100	TB10 7422710000		.HANDLE		2	
			ATTACHING PARTS			
110	5147963089		.SCREW		4	
			* * *			

- ITEM NOT ILLUSTRATED

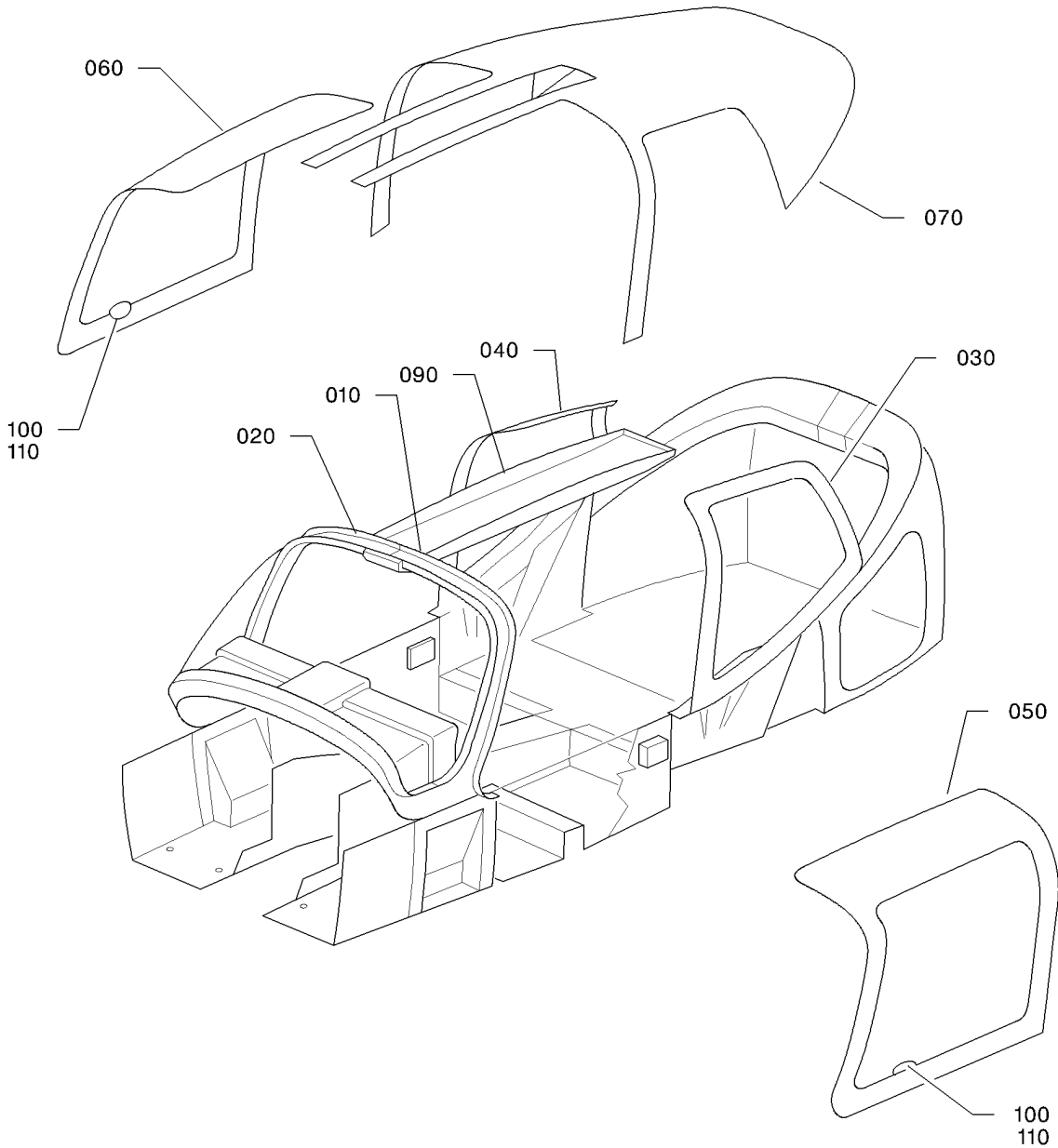
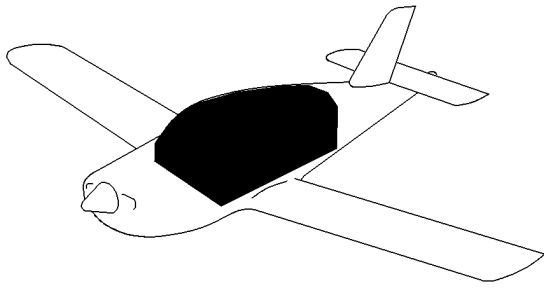
25-16-00

FIG. 1H

PAGE 1 R

NOV 30/18

S/N 1 - 9999 POST-MOD. 151, "BLUE ALCANTARA"



I4251600AAUYZ4400

UPPER DUCT - "FICELLE ALCANTARA" UPHOLSTERING
FIGURE 1N

25-16-00

FIG. 1N

PAGE 0 R

NOV 30/18

FIG.ITEM	PART NUMBER	1234567 	NOMENCLATURE	EFFECT FROM TO	UNITS PER ASSY	OBS
1N- 1	TF25-16-00-01N-001		UPPER DUCT - "FICELLE ALCANTARA" UPHOLSTERING		RF	R
10	TB10 7422200320		.L.H. FRONT FORMER		1	
20	TB10 7422200420		.R.H. FRONT FORMER		1	
30	TB10 7422200720		.L.H. REAR TRANSPARENT PANEL FRAME		1	
40	TB10 7422200820		.R.H. REAR TRANSPARENT PANEL FRAME		1	
50	TB10 7422200520		.L.H. DOOR UPHOLSTERING		1	
60	TB10 7422200620		.R.H. DOOR UPHOLSTERING		1	
70	TB10 7422210820		.REAR UPPER DUCT		1	
80	TB10 7422210720		.DELETED			R
90	TB10 7422000420		.UPHOLSTERED OVERHEAD DUCT		1	
100	TB10 7422710000		.HANDLE ATTACHING PARTS		2	
110	5147963089		.SCREW * * *		4	

- ITEM NOT ILLUSTRATED

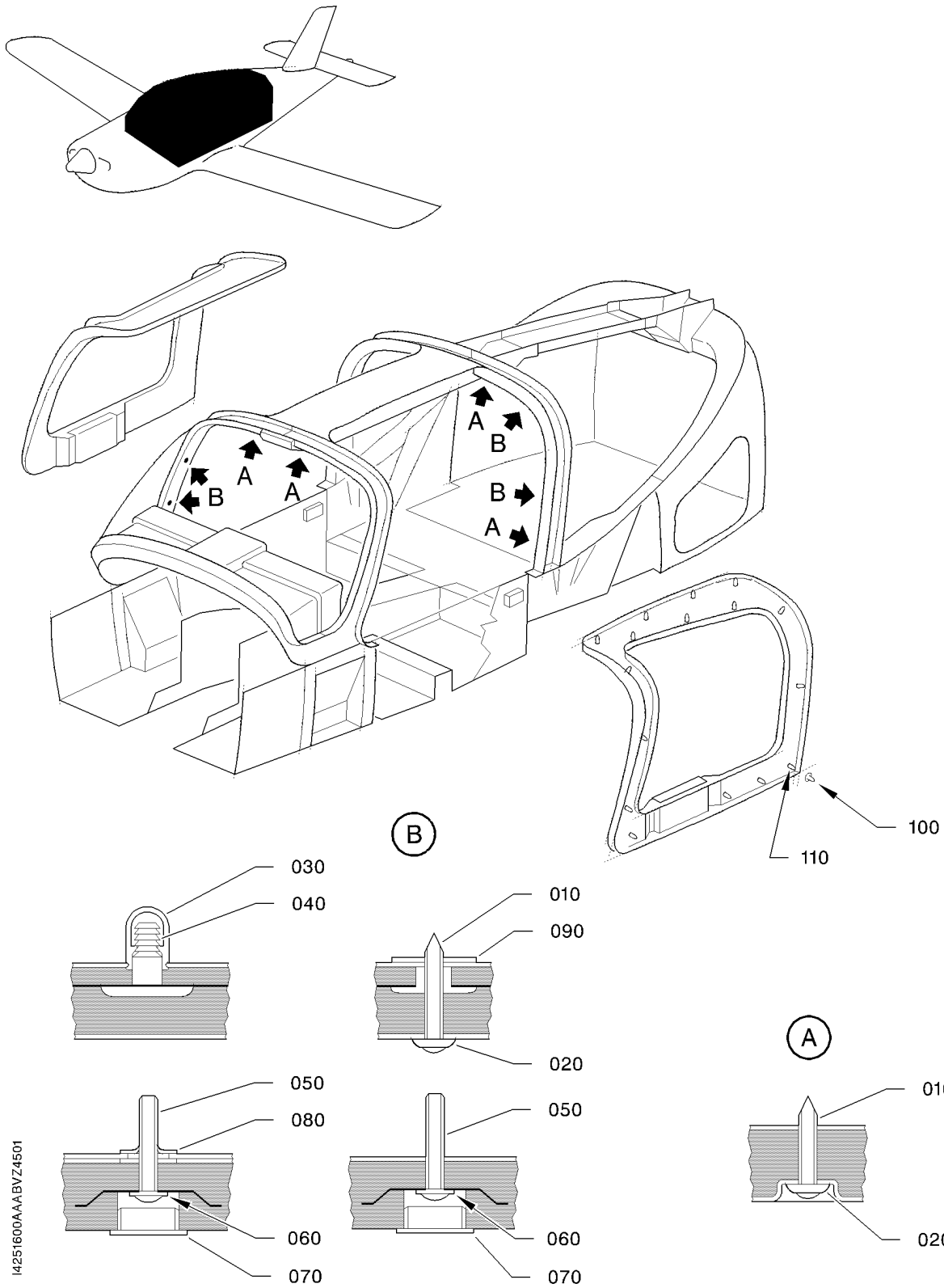
25-16-00

FIG. 1N

PAGE 1

NOV 30/18

S/N 1 - 9999 POST-MOD. 151, "FICELLE ALCANTARA"



14251600AAA BVZ4501

UPPER DUCT - UPHOLSTERING ATTACHMENTS
FIGURE 2

25-16-00

FIG. 2
PAGE 0 R

FIG.ITEM	PART NUMBER	1234567 	NOMENCLATURE	EFFECT FROM TO	UNITS PER ASSY	OBS
2 - 1	TF25-16-00-02-001		UPPER DUCT - UPHOLSTERING ATTACHMENTS		RF	
10	7907680681		.SCREW OPT TO 681 MADE BY VFA870		AR	R
20	7743700204		.CUP WASHER		AR	
30	7079745171		.CAP OPT TO 53171 MADE BY VF0712 "CENDRE" OR "SABLE" UPHOLSTERING WITHOUT RECESS		AR	R
40	TB10 09165100		.STUD "CENDRE" OR "SABLE" UPHOLSTERING WITHOUT RECESS ORDER, FOR EACH STUD TO BE REPLACED : TB10 7404311750 + 7743700204 + 7907680681		AR	NP R
50	7907680682		.SCREW OPT TO 682 3.25X25 NOIRE MADE BY VFA870 "CENDRE" OR "SABLE" UPHOLSTERING WITH RECESS AND BLUE OR "FICELLE" UPHOLSTERING		AR	R
60	5701039160		.WASHER OPT TO NFL23111AD040L MADE BY VF0111 "CENDRE" OR "SABLE" UPHOLSTERING WITH RECESS AND BLUE OR "FICELLE" UPHOLSTERING		AR	R
70	7130112217		.PLUG "CENDRE" UPHOLSTERING		AR	R
- 70A	7130112214		.PLUG "SABLE" UPHOLSTERING		AR	R
- 70B	7130112219		.PLUG BLUE UPHOLSTERING		AR	
- 70C	7130112218		.PLUG "FICELLE" UPHOLSTERING		AR	R
80			.QUICK-DISCONNECT FOR REPLACEMENT OF AN UPHOLSTERING WITHOUT RECESS BY AN UPHOLSTERING WITH RECESS		AR	
90	TB10 7404311750		.PLATE FOR REPAIR WITH A "CENDRE" OR "SABLE" UPHOLSTERING WITHOUT RECESS		AR	R
100	7136680411		.QUICK-DISCONNECT OPT TO 411 MADE BY VFA870		AR	R
110	7130408741		.PLUG RPLD BY 7130681259		AR	R

- ITEM NOT ILLUSTRATED

25-16-00

FIG. 2
PAGE 1

NOV 30/18

S/N 588, 600, 610 - 764, 766 - 878 ; S/N 765, 879 - 9999, OPTIONS, PRE-MOD. 151

FIG. ITEM	PART NUMBER	NOMENCLATURE	EFFECT FROM TO	UNITS PER ASSY	OBS
2 -110A	7130681259	1234567 .PLUG RPLS 7130408741		AR	

- ITEM NOT ILLUSTRATED

25-16-00

FIG. 2

PAGE 2 R

NOV 30/18

S/N 588, 600, 610 - 764, 766 - 878 ; S/N 765, 879 - 9999, OPTIONS, PRE-MOD. 151

PAGE INTENTIONALLY BLANK

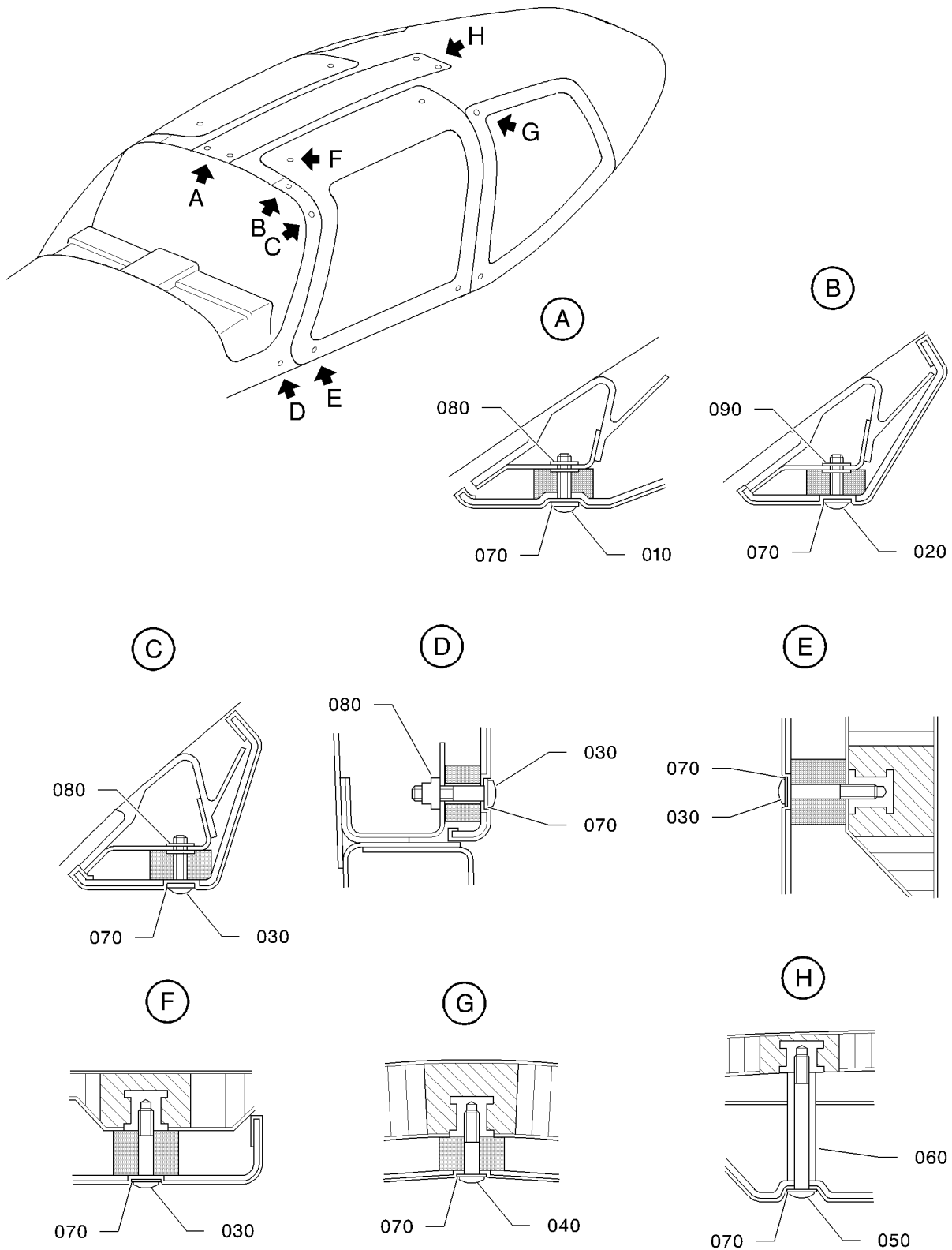
25-16-00

FIG. 2

PAGE 3 R

NOV 30/18

S/N 588, 600, 610 - 764, 766 - 878 ; S/N 765, 879 - 9999, OPTIONS, PRE-MOD. 151



14251600AAUYZ4501

UPPER DUCT - UPHOLSTERING ATTACHMENTS
FIGURE 2A

25-16-00

FIG. 2A

PAGE 0 R

NOV 30/18

FIG. ITEM	PART NUMBER	NOMENCLATURE		EFFECT FROM TO	UNITS PER ASSY	OBS
		1234567 				
2A- 1	TF25-16-00-02A-001		UPPER DUCT - UPHOLSTERING ATTACHMENTS		RF	
10	5122683174		. SCREW		AR	
20	5122683189		. SCREW		AR	
30	5122683197		. SCREW		AR	
40	5122683184		. SCREW		AR	
50	5122685251		. SCREW		AR	
60	TB10 0900010200		. SPACER		AR	
			RPLD BY 7244671210			
- 60A	7244671210		. SPACER		AR	
			RPLS TB10 0900010200			
70	7743700203		. WASHER		AR	
80	5425218050		. ANCHOR NUT, TWO LUG, FLOATING OPT TO 5SF5009M MADE BY VF0224		AR	R
90	5422218050		. ANCHOR NUT, TWO LUG VF0224 OPT TO 5SR1009MK MADE BY VF0224		AR	

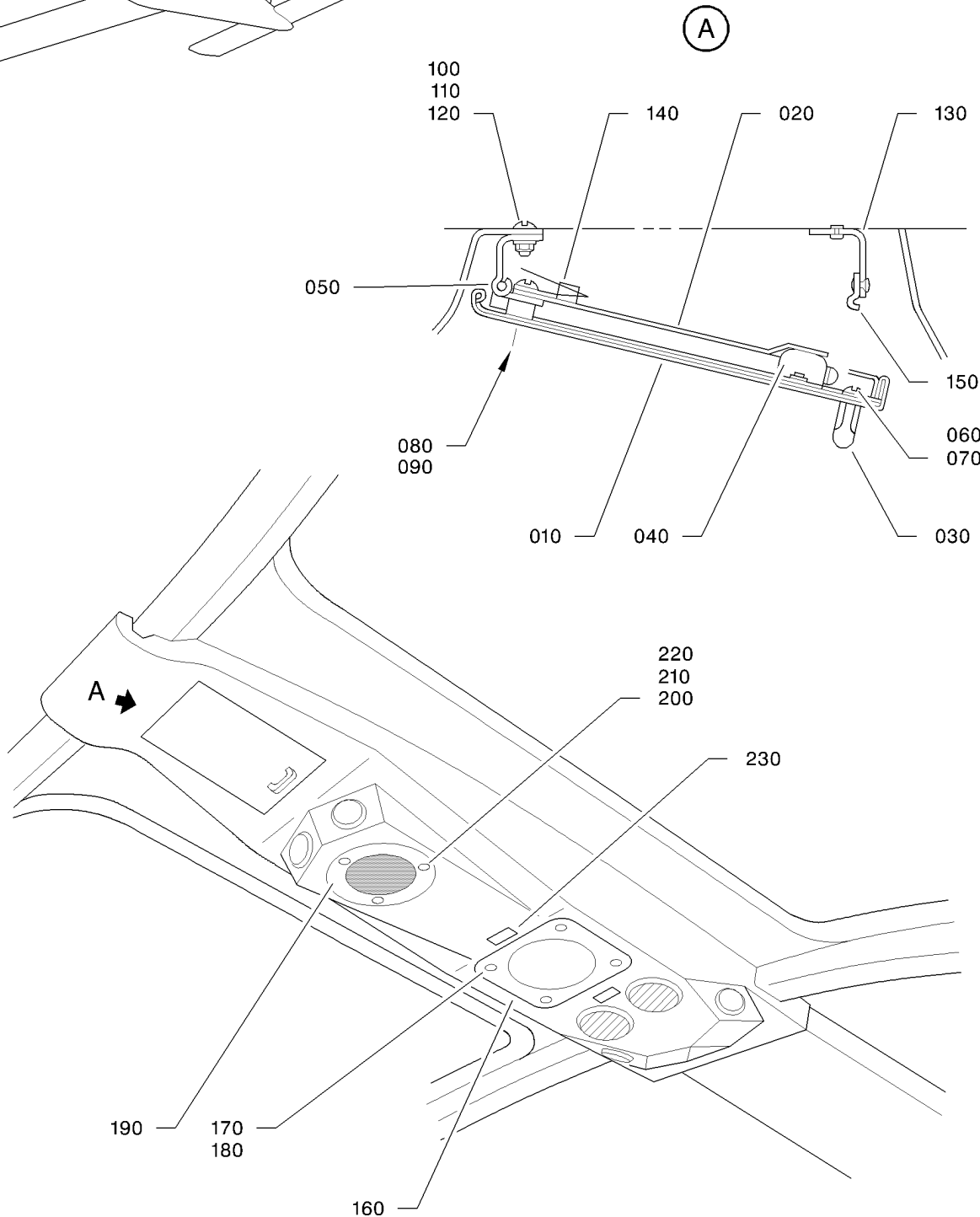
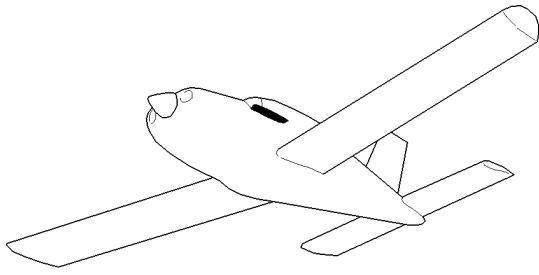
- ITEM NOT ILLUSTRATED

25-16-00

FIG. 2A

PAGE 1

NOV 30/18



UPPER DUCT - ACCESSORIES
FIGURE 3

25-16-00

FIG. 3
PAGE 0 R
NOV 30/18

I4251600AAAFVZ4302

FIG.ITEM	PART NUMBER	NOMENCLATURE					EFFECT FROM TO	UNITS PER ASSY	OBS
		1	2	3	4	5			
3 - 1	TB25-16-00-03-001	UPPER DUCT - ACCESSORIES						RF	
10	TB10 74031203	.WRITING DOOR S/N 1 - 587 BLUE						1	OR
- 10A	TB10 74031303	.WRITING DOOR S/N 1 - 587 BROWN						1	OR
- 10B	TB10 74031503	.WRITING DOOR S/N 589 - 599, 601 - 609, "CENDRE"						1	OR R
- 10C	TB10 74031603	.WRITING DOOR S/N 589 - 599, 601 - 609, "SABLE"						1	OR R
20	TB10 74031213	.INNER PLATE S/N 1 - 587 BLUE						1	OR
- 20A	TB10 74031313	.INNER PLATE S/N 1 - 587 BROWN						1	OR
- 20B	TB10 74031513	.INNER PLATE S/N 589 - 599, 601 - 609, "CENDRE"						1	OR R
- 20C	TB10 74031613	.INNER PLATE S/N 589 - 599, 601 - 609, "SABLE"						1	OR R
30	TB10 74064100	.BUTTON						1	
40	7468010700	.LATCH						1	
50	7201677012	.HINGE OPT TO 63-1-3301-38X17 LAITON CHROME MADE BY VF1867 ATTACHING PARTS						1	R
60	5111943507	.SCREW						2	
70	5701039100	.WASHER OPT TO 23111AD030L MADE BY VF0111						2	R
80	5169911072	.SCREW						2	
90	5387301408	.NUT OPT TO ARB-M4-0,8A MADE BY VF0344						2	R
100	5169911078	.SCREW						2	
110	5701039160	.WASHER OPT TO NFL23111AD040L MADE BY VF0111						2	R
120	5401458159	.NUT OPT TO E25412B40QQVAL MADE BY VF0110 SUPSD BY 5414468159						2	R
-120A	5414468159	.NUT OPT TO 4PH135M MADE BY VF0224 SUPSDS 5401458159 * * *						2	R

- ITEM NOT ILLUSTRATED

25-16-00

FIG. 3

PAGE 1

NOV 30/18

S/N 1 - 587, 589 - 599, 601 - 609

FIG. ITEM	PART NUMBER	NOMENCLATURE		EFFECT FROM TO	UNITS PER ASSY	OBS
		1234567 				
3 130	TB10 74031135		. ANGLE BRACKET		1	OR
140	7675011961		. CLIP		1	NP
150	7303010700		. LOCKING BUSH		1	NP
160	TB10 74031110		. COVER ATTACHING PARTS		1	
170	5111929099		. SCREW		4	
180	5386930400		. RAPID NUT OPT TO NU504-1 MADE BY VF0580 * * *		4	
190	TB20 61077103		. COVER ATTACHING PARTS		1	
200	5147963089		. SCREW		3	
210	5701039160		. WASHER OPT TO NFL23111AD040L MADE BY VF0111		3	R
220	5401458159		. NUT OPT TO E25412B40QQVAL MADE BY VF0110 SUPSD BY 5414468159		3	R
-220A	5414468159		. NUT OPT TO 4PH135M MADE BY VF0224 SUPSDS 5401458159 * * *		3	R
230	7640731100		. BLANKING PLUG OPT TO 1100 NOIR MADE BY VF0894		1	R

- ITEM NOT ILLUSTRATED

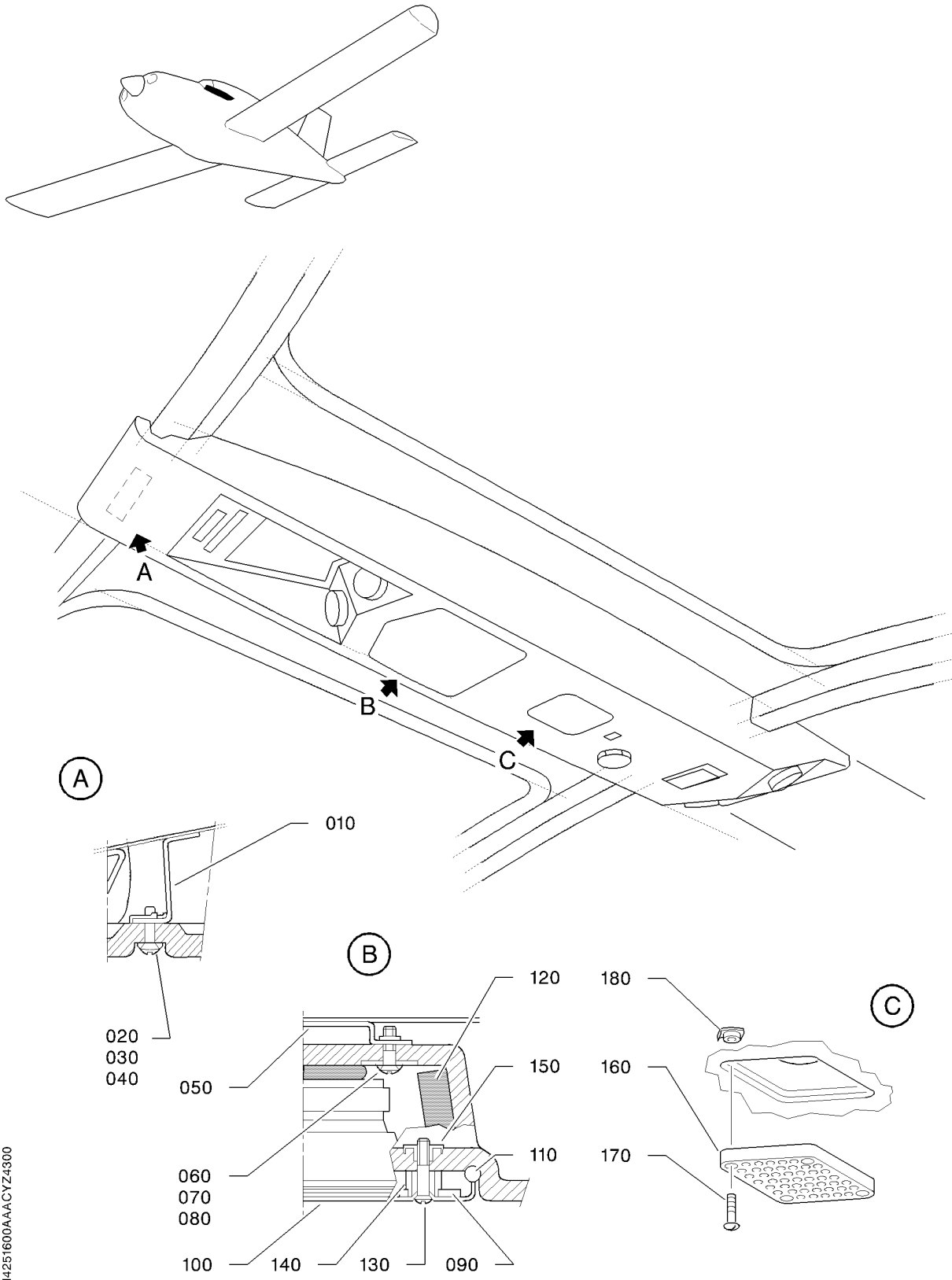
25-16-00

FIG. 3

PAGE 2

NOV 30/18

PAGE INTENTIONALLY BLANK



14251600AACYZ4300

UPPER DUCT - ACCESSORIES
FIGURE 3A

25-16-00

FIG. 3A

PAGE 0 R

NOV 30/18

FIG.ITEM	PART NUMBER	1234567 	NOMENCLATURE	EFFECT FROM TO	UNITS PER ASSY	OBS
3A- 1	TF25-16-00-03A-001		UPPER DUCT - ACCESSORIES		RF	
10	TB10 74032109		.FRONT BRACKET ATTACHING PARTS		1	OR
20	5147963106		.SCREW		2	
30	7743700204		.CUP WASHER		2	
40	5386936399		.RAPID NUT * * *		2	
50	TB10 74032110		.CENTRAL BRACKET ATTACHING PARTS		1	OR
60	5147963089		.SCREW		1	
70	7743700204		.CUP WASHER		1	
80	5425234159		.ANCHOR NUT, TWO-LUG, FLOATING * * *		1	
90	TB10 74032103		.PLATE		1	
100	TB10 74032101		.RADIO LOUDSPEAKER COVER GRILLE		1	
110	4272240006		.FOAM CORD VF3928 OPT TO MOUSSE SPONG D=6 MADE BY VF3928		1	
120	TB10 74032105		.INSULATING BLANKET ATTACHING PARTS		1	
130	5147966099		.SCREW		4	
140	TB10 74033100		.SPACER		4	
150	5387278004		.RAPID NUT VF0580 OPT TO NSA 1004 MADE BY VF0580 * * *		4	
160	TB10 74032102		.ALARM LOUDSPEAKER COVER GRILLE ATTACHING PARTS		1	
170	5147963089		.SCREW		4	
180	5387278004		.RAPID NUT VF0580 OPT TO NSA 1004 MADE BY VF0580 * * *		4	

- ITEM NOT ILLUSTRATED

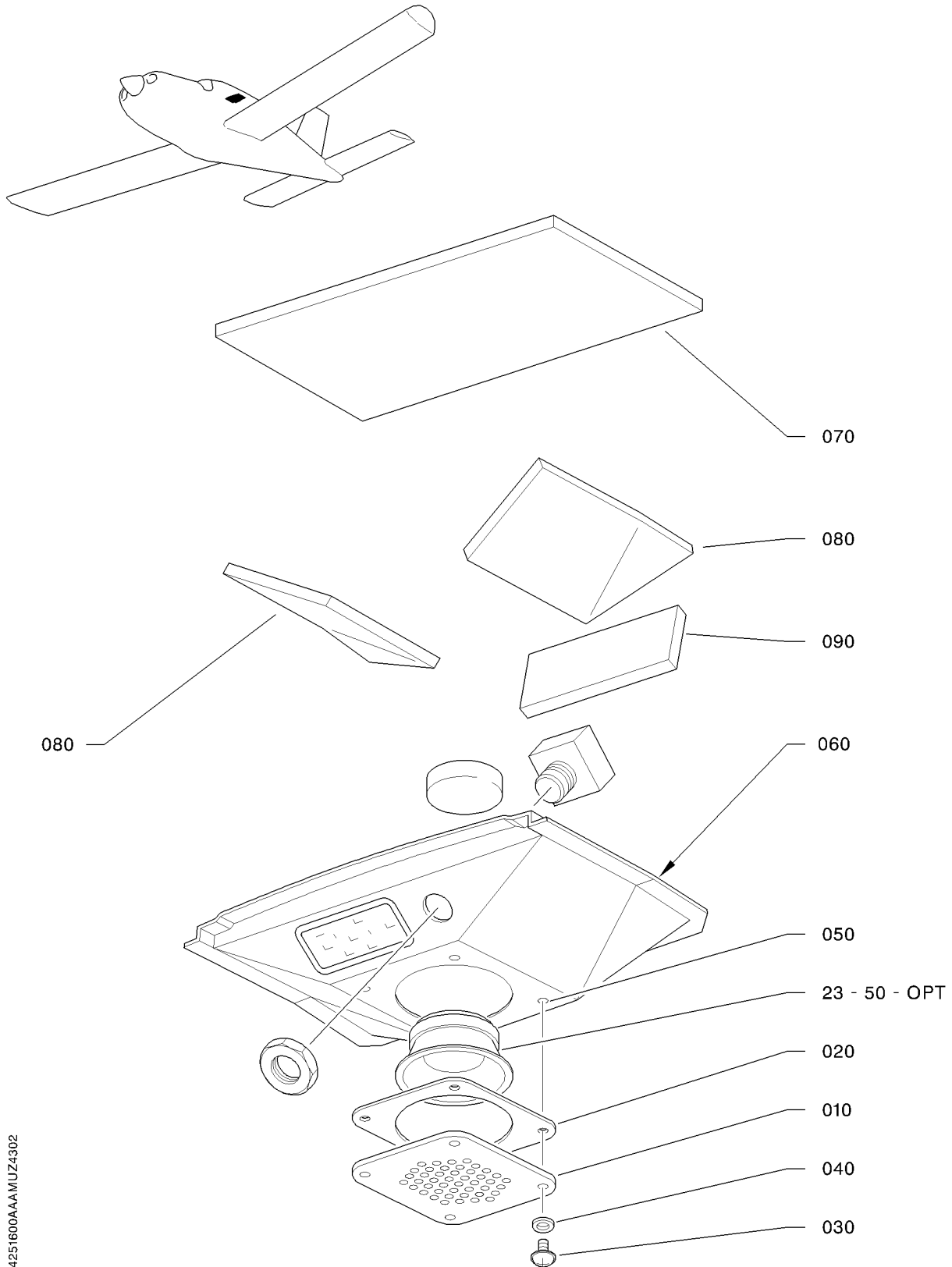
25-16-00

FIG. 3A

PAGE 1 R

NOV 30/18

S/N 588, 600, 610 - 764, 766 - 878



14251600AAAMUZ4302

UPPER DUCT - ACCESSORIES
FIGURE 3B

25-16-00

FIG. 3B

PAGE 0 R

NOV 30/18

FIG.ITEM	PART NUMBER	1234567 	NOMENCLATURE	EFFECT FROM TO	UNITS PER ASSY	OBS
3B- 1	TF25-16-00-03B-001		UPPER DUCT - ACCESSORIES		RF	
10	TB09 74100104		.LOUDSPEAKER COVER		1	
20	TB09 74100103		.SHIM		1	
			ATTACHING PARTS			
30	5169911078		.SCREW		4	
40	5706039160		.WASHER		4	R
			OPT TO NFL23116AD040L MADE BY VF0111			
50	5421218040		.ANCHOR NUT, TWO LUG		4	R
			OPT TO 4SR1009M MADE BY VF0224			
			* * *			
60	TB10 74032105		.INSULATING BLANKET		AR	
			S/N 765, 879 - 1113			
70	TB09 74100117		.INSULATING BLANKET		1	
80	TB09 74100118		.INSULATING BLANKET		2	
90	TB09 74100119		.INSULATING BLANKET		1	

- ITEM NOT ILLUSTRATED

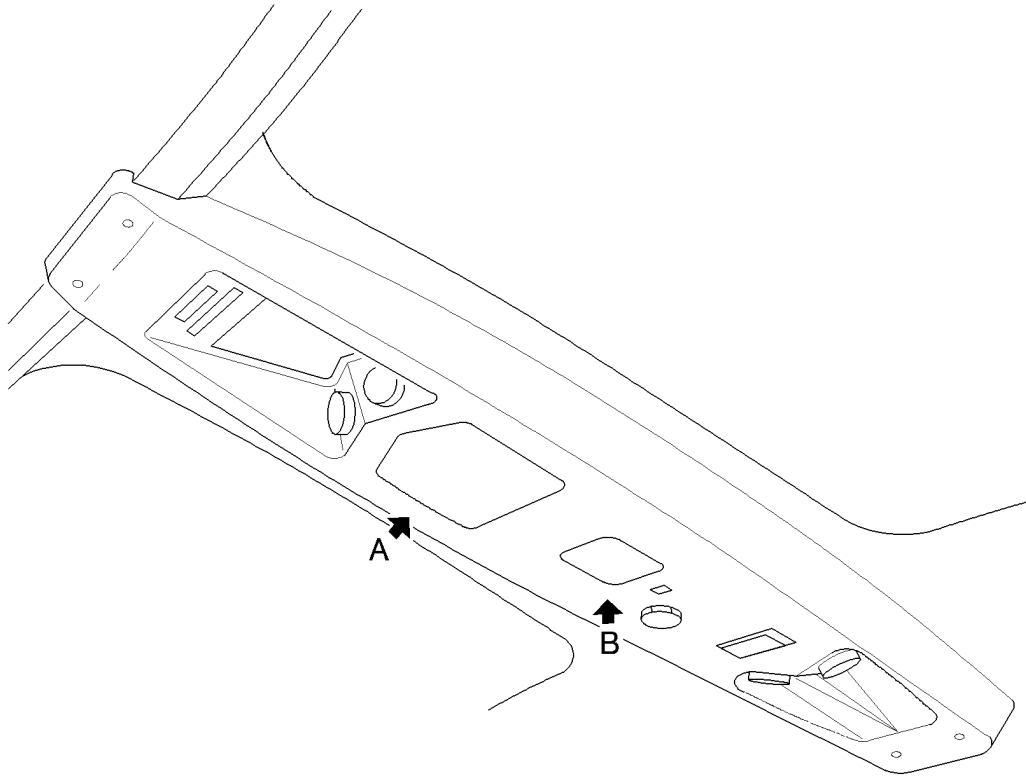
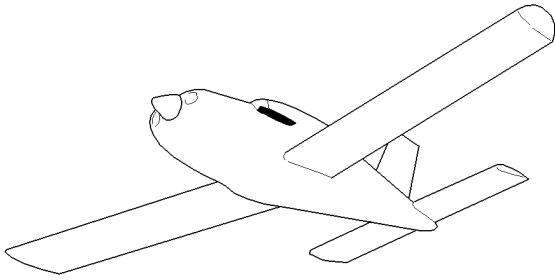
25-16-00

FIG. 3B

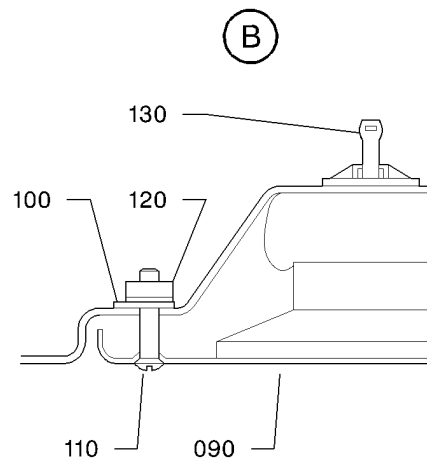
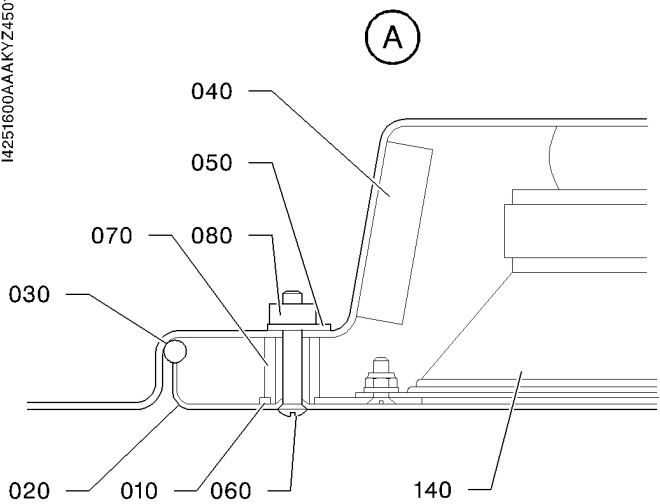
PAGE 1

NOV 30/18

S/N 765, 879 - 9999, PRE-MOD. 151



14251600AAKYZ4501



UPPER DUCT - ACCESSORIES
FIGURE 3C

25-16-00

FIG. 3C

PAGE 0 R

NOV 30/18

FIG.ITEM	PART NUMBER	NOMENCLATURE		EFFECT FROM TO	UNITS PER ASSY	OBS
		1234567 				
3C- 1	TB25-16-00-03C-001		UPPER DUCT - ACCESSORIES		RF	
10	TB10 65833100		.PLATE		1	
20	TB10 74032101		.RADIO LOUDSPEAKER COVER GRILLE		1	
30	4272240006		.FOAM CORD OPT TO MOUSSE SPONG D=6 MADE BY VF3928		1	R
40	TB10 74032105		.INSULATING BLANKET		1	
50	TB10 7422010101		.PLATE ATTACHING PARTS		1	
60	5147966099		.SCREW		4	
70	TB10 74033100		.SPACER		4	
80	5421218040		.ANCHOR NUT, TWO LUG OPT TO 4SR1009M MADE BY VF0224 * * *		4	R
90	TB10 74032102		.ALARM LOUDSPEAKER COVER GRILLE		1	
100	TB10 7422010401		.PLATE ATTACHING PARTS		1	
110	5147963089		.SCREW		4	
120	5421218040		.ANCHOR NUT, TWO LUG OPT TO 4SR1009M MADE BY VF0224 * * *		4	R
130	7232940344		.TIE-WRAP SUPPORT		2	
140	7355470001		.LOUDSPEAKER RPLD BY 7355470002		1	R
-140A	7355470002		.LOUDSPEAKER RPLS 7355470001 RPLD BY 7355470003		1	R
-140B	7355470003		.LOUDSPEAKER RPLS 7355470002 SUPSD BY 7355401111		1	R
-140C	7355401111		.LOUDSPEAKER OPT TO GK4010 MADE BY VAK345 SUPSDS 7355470003		1	R

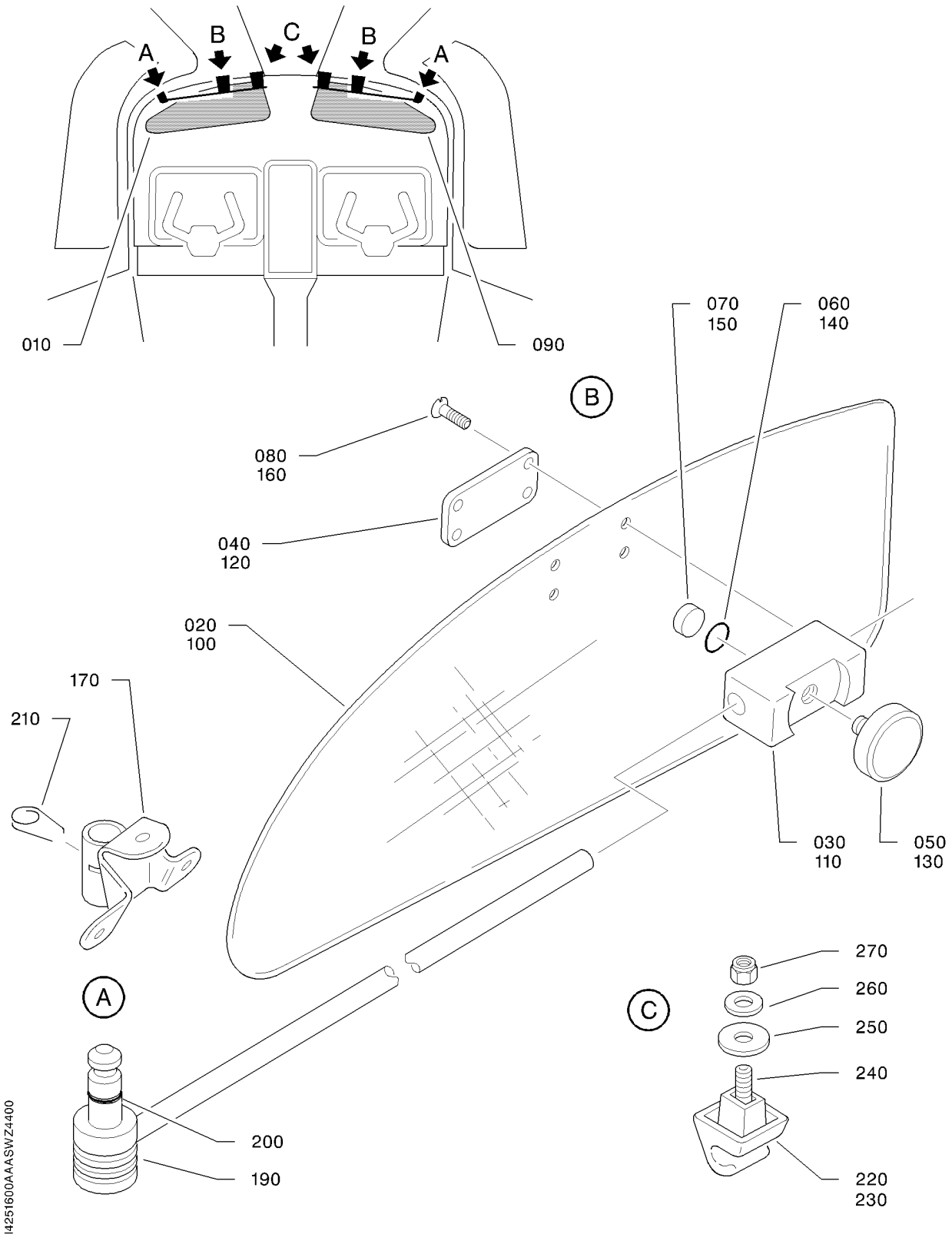
- ITEM NOT ILLUSTRATED

25-16-00

FIG. 3C

PAGE 1

NOV 30/18



UPPER DUCT - SUNVISOR
FIGURE 4B

25-16-00

FIG. 4B

PAGE 0 R

NOV 30/18

FIG.ITEM	PART NUMBER	NOMENCLATURE	EFFECT FROM TO	UNITS PER ASSY	OBS
		1234567 			
4B- 1	TB25-16-00-04B-001	UPPER DUCT - SUNVISOR		RF	
10	TB10 74036001	.L.H. SUNVISOR ASSY		1	
20	TB10 74036100	..LENS		1	
30	TB10 74037001	..BASE PLATE ASSY		1	
40	TB10 74037101	..COUNTERPLATE		1	
50	TB10 74037102	..THUMB SCREW		1	
60	TB10 74037103	..WASHER		1	
70	TB10 74037104	..PAD		1	
80	5156294084	..SCREW OPT TO 5156294084 MADE BY VF0188		4	R
90	TB10 74036002	.R.H. SUNVISOR ASSY		1	
100	TB10 74036100	..LENS		1	
110	TB10 74037001	..BASE PLATE ASSY		1	
120	TB10 74037101	..COUNTERPLATE		1	
130	TB10 74037102	..THUMB SCREW		1	
140	TB10 74037103	..WASHER		1	
150	TB10 74037104	..PAD		1	
160	5156294084	..SCREW OPT TO 5156294084 MADE BY VF0188		4	R
170	TB10 7403600800	.L.H. WELDED BRACKET		1	R
-180	TB10 7403600900	.R.H. WELDED BRACKET		1	OR
190	TB10 74073400	.FOAMED ARM ASSY		2	
200	7061550009	.RING OPT TO N6 21A7 MADE BY VF0229		1	R
210	TB10 74039100	.CLIP		2	
220	7788014101	.SUPPORT SUPSD BY 7788010001		2	R
-220A	7788010001	.SUPPORT SUPSDS 7788014101		2	R
230	7788014136	.SUPPORT ATTACHING PARTS		2	
240	5111943078	.SCREW OPT TO E27116C40Q12AGUL MADE BY VF0110		2	R
250	5706039290	.WASHER OPT TO 23116AD060L MADE BY VF0111		2	R
260	5701039160	.WASHER OPT TO NFL23111AD040L MADE BY VF0111		2	R
270	5401458159	.NUT OPT TO E25412B40QQVAL MADE BY VF0110 SUPSD BY 5414468159		2	R

- ITEM NOT ILLUSTRATED

25-16-00

FIG. 4B

PAGE 1

NOV 30/18

FIG.ITEM	PART NUMBER	NOMENCLATURE	EFFECT FROM TO	UNITS PER ASSY	OBS
4B-270A	5414468159	1234567 .NUT OPT TO 4PH135M MADE BY VF0224 SUPSDS 5401458159 * * *		2	R

- ITEM NOT ILLUSTRATED

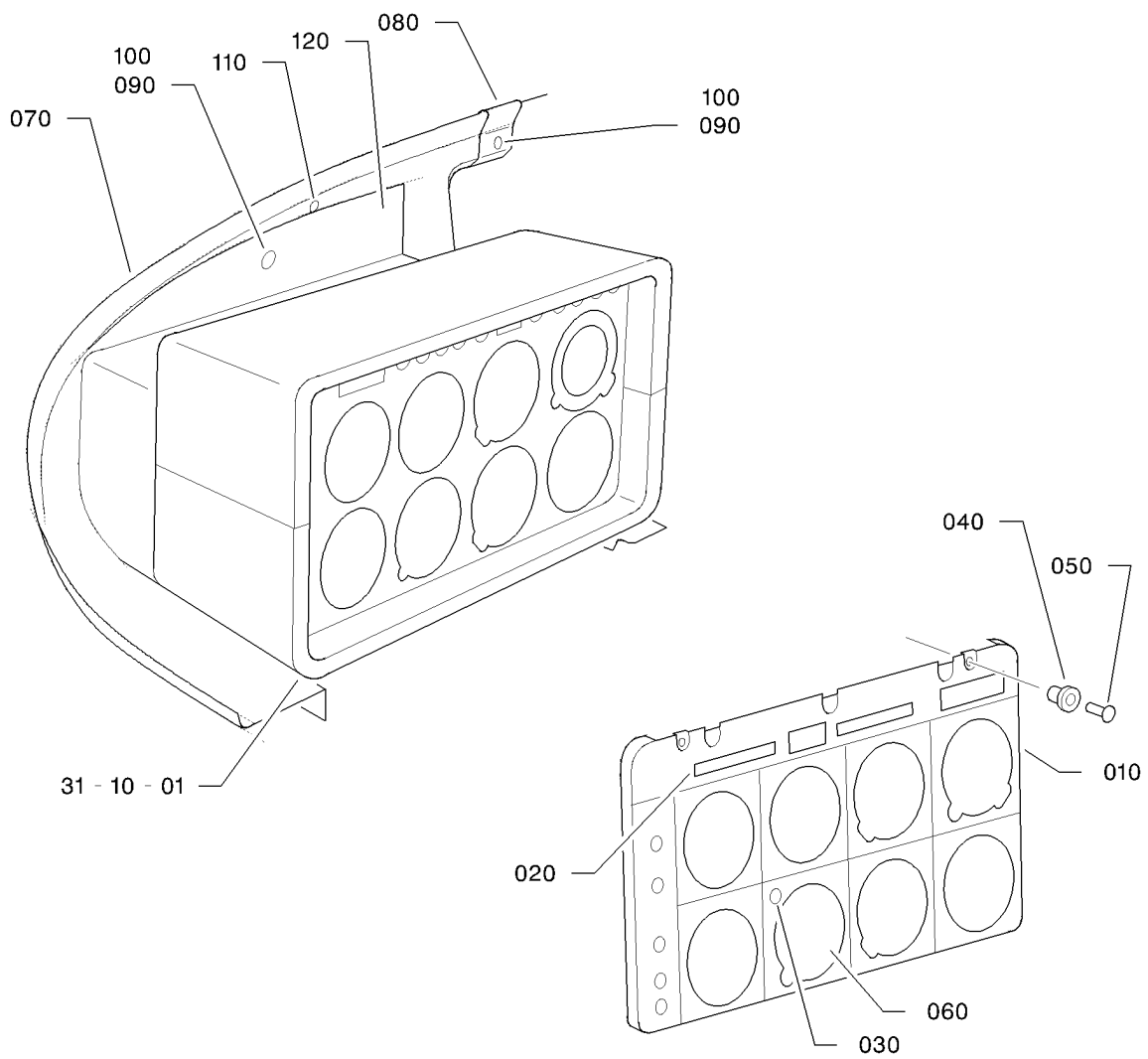
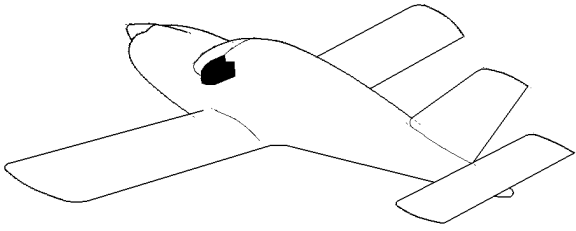
25-16-00

FIG. 4B

PAGE 2

NOV 30/18

PAGE INTENTIONALLY BLANK



I4251700AAADVZ4300

L.H. INSTRUMENT PANEL UPHOLSTERINGS
FIGURE 1

25-17-00

FIG. 1
PAGE 0 R
NOV 30/18

FIG. ITEM	PART NUMBER	NOMENCLATURE	EFFECT FROM TO	UNITS PER ASSY	OBS
		1234567 			
1 - 1	TF25-17-00-01-001	L.H. INSTRUMENT PANEL UPHOLSTERINGS		RF	
10		.L.H. INSTRUMENT PANEL COVER SPECIFY AIRCRAFT NO. WITH ORDER		1	
20	7696690300	.LABEL SUPPORT		1	
30	7079860410	.PLUG VF6162 OPT TO 25918 MADE BY VF6162		AR	
		ATTACHING PARTS			
40	7193144402	.BUSHING V83014 OPT TO HN5G52-1 NYLATCH MADE BY V83014		3	
50	7193144404	.PUSHBUTTON V83014 OPT TO HN5P52-3-1 NYLATCH MADE BY V83014		3	
		* * *			
60	TB20 76017400	.BLANKING COVER, 3.15 IN		AR	
70	TB10 76004201	.L.H. CLOSING PLATE BLUE		1	OR
- 70A	TB10 76004301	.L.H. CLOSING PLATE BROWN		1	OR
80	TB10 76004214	.COVER STRIP BLUE		1	OR
- 80A	TB10 76004314	.COVER STRIP BROWN		1	OR
		ATTACHING PARTS			
90	7907680679	.SCREW OPT TO 679 NOIRE MADE BY VFA870		2	R
100	7743700204	.CUP WASHER		2	
110	7083745131	.STUD VF0712 OPT TO 7080 MADE BY VF0712		AR	
		* * *			
120	TB10 76007203	.L.H. COVER BLUE		1	
-120A	TB10 76007303	.L.H. COVER BROWN		1	

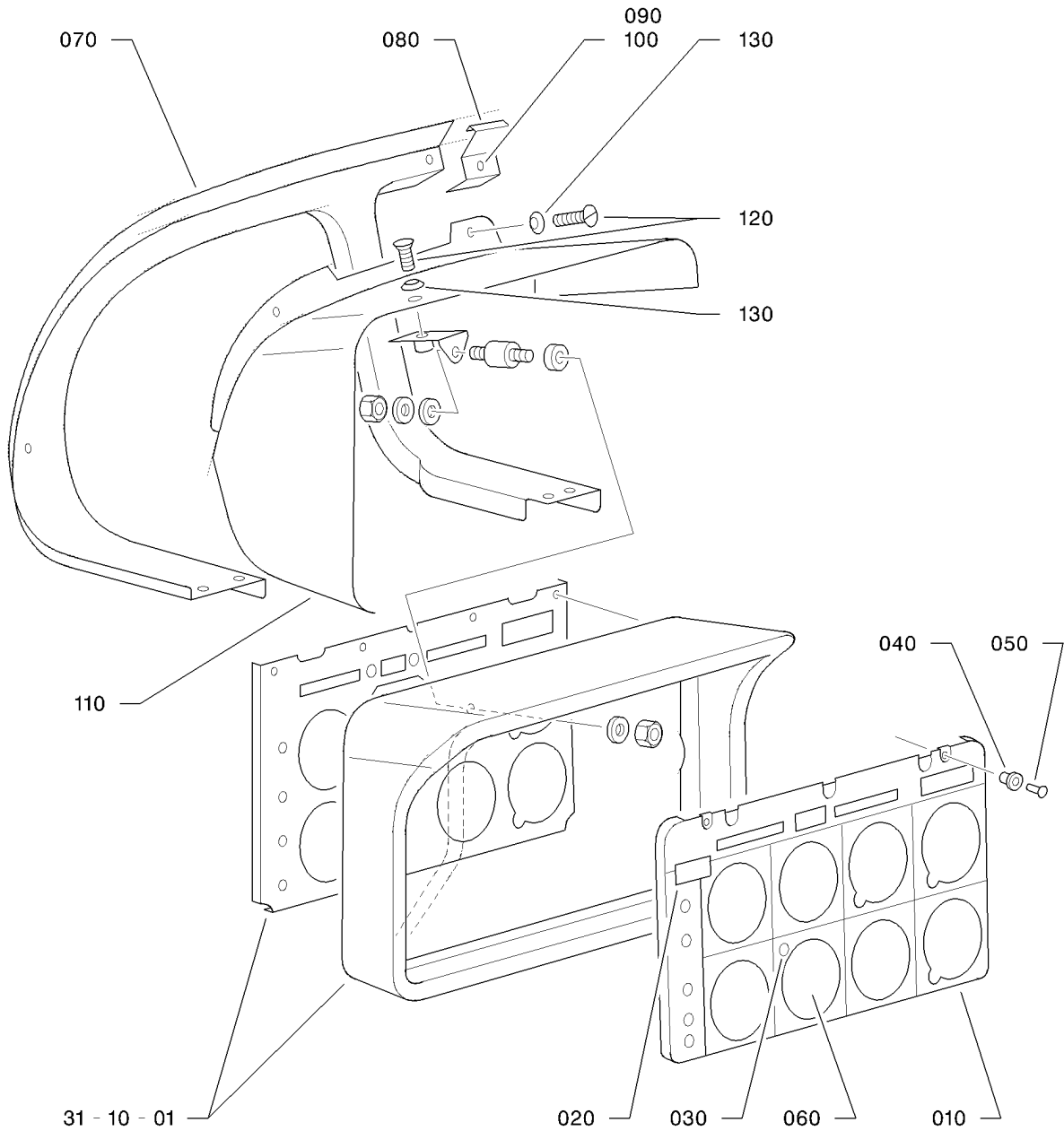
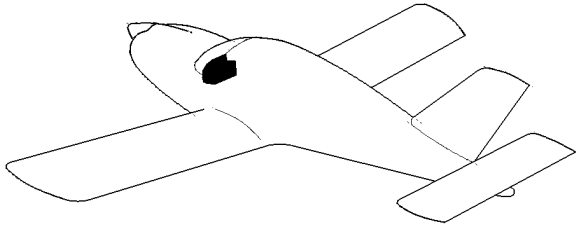
- ITEM NOT ILLUSTRATED

25-17-00

FIG. 1

PAGE 1

NOV 30/18



14251700AAA HVZ4300

L.H. INSTRUMENT PANEL UPHOLSTERINGS
FIGURE 1A

25-17-00

FIG. 1A

PAGE 0 R

NOV 30/18

FIG. ITEM	PART NUMBER	NOMENCLATURE	EFFECT FROM TO	UNITS PER ASSY	OBS
		1234567 			
1A- 1	TB25-17-00-01A-001	L.H. INSTRUMENT PANEL UPHOLSTERINGS		RF	R
10		.L.H. INSTRUMENT PANEL COVER SPECIFY AIRCRAFT NO. WITH ORDER		1	
20	7696690300	.LABEL SUPPORT		1	
30	7079860410	.PLUG VF6162 OPT TO 25918 MADE BY VF6162 ATTACHING PARTS		AR	
40	7193144402	.BUSHING V83014 OPT TO HN5G52-1 NYLATCH MADE BY V83014		3	
50	7193144404	.PUSHBUTTON V83014 OPT TO HN5P52-3-1 NYLATCH MADE BY V83014 * * *		3	
60	TB20 76017400	.BLANKING COVER, 3.15 IN		AR	
70	TB10 76004201	.L.H. CLOSING PLATE S/N 275 - 584 BLUE		1	OR
- 70A	TB10 76004301	.L.H. CLOSING PLATE S/N 275 - 584 BROWN		1	OR
- 70B	TB10 76004204	.L.H. CLOSING PLATE S/N 585 - 587 BLUE		1	OR
- 70C	TB10 76004304	.L.H. CLOSING PLATE S/N 585 - 587 BROWN		1	OR
80	TB10 76004214	.COVER STRIP BLUE		1	OR
- 80A	TB10 76004314	.COVER STRIP BROWN ATTACHING PARTS		1	OR
90	7907680679	.SCREW OPT TO 679 NOIRE MADE BY VFA870		7	R
100	7743700204	.CUP WASHER * * *		7	
110	TB20 76011203	.L.H. COVER S/N 275 - 584 BLUE		1	OR
-110A	TB20 76011303	.L.H. COVER S/N 275 - 584 BROWN		1	OR
-110B	TB20 76011206	.L.H. COVER S/N 585 - 587 BLUE		1	OR
-110C	TB20 76011306	.L.H. COVER S/N 585 - 587 BROWN ATTACHING PARTS		1	OR
120	5194868086	.SCREW VF0110 OPT TO E27160A40Q16QVAT MADE BY VF0110		4	
130	7743700204	.CUP WASHER * * *		4	

- ITEM NOT ILLUSTRATED

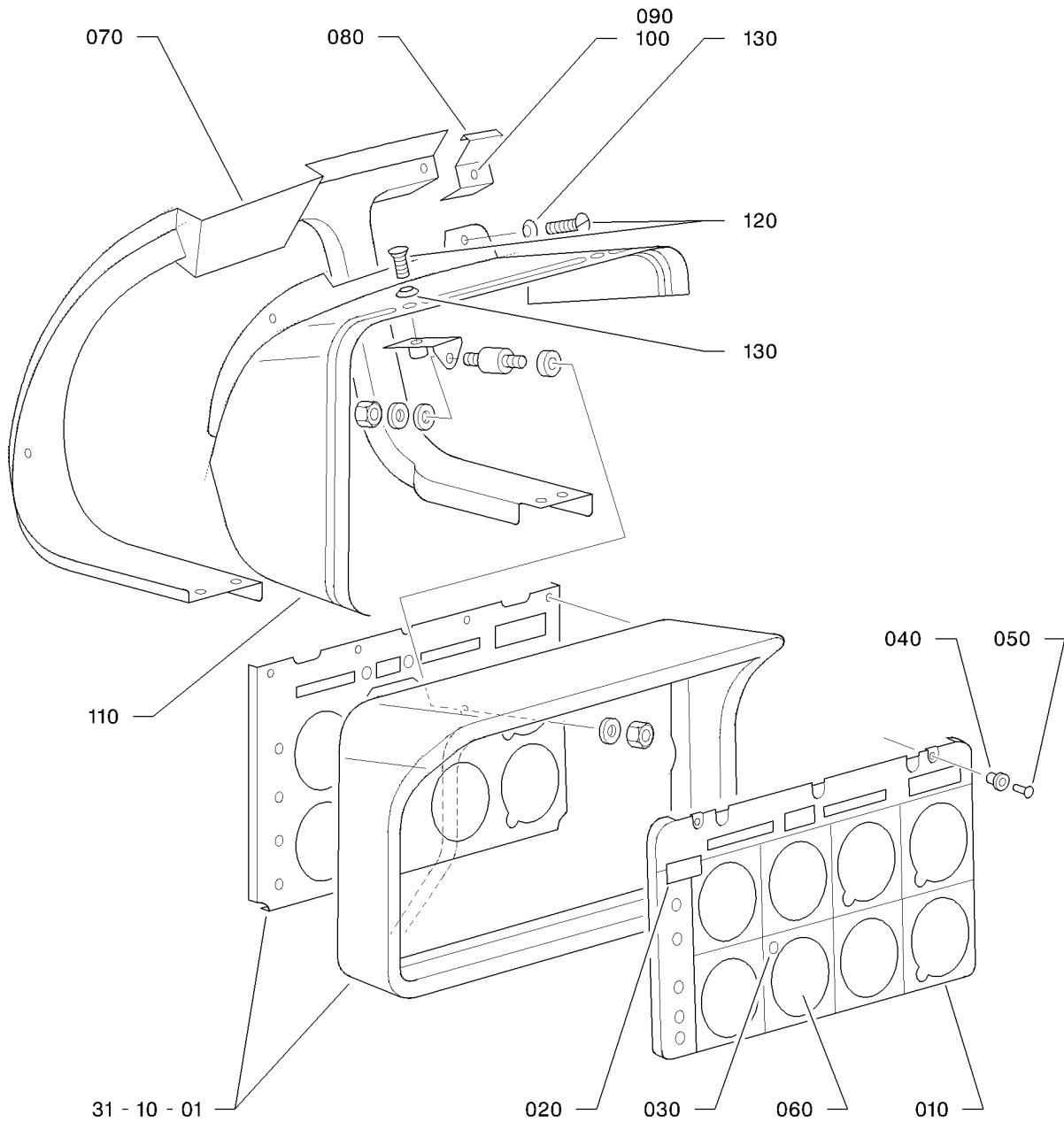
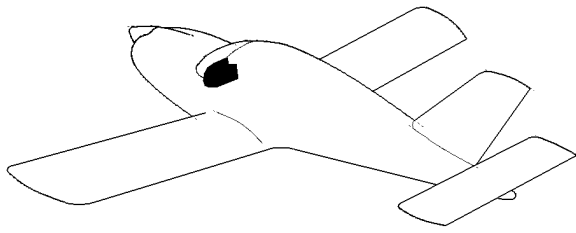
25-17-00

FIG. 1A

PAGE 1

NOV 30/18

S/N 275 - 587



14251700AAANVZ4300

L.H. INSTRUMENT PANEL UPHOLSTERINGS
FIGURE 1B

25-17-00

FIG. 1B

PAGE 0 R

NOV 30/18

FIG. ITEM	PART NUMBER	NOMENCLATURE	EFFECT FROM TO	UNITS PER ASSY	OBS
		1234567 			
1B- 1	TF25-17-00-01B-001	L.H. INSTRUMENT PANEL UPHOLSTERINGS		RF	
10		.L.H. INSTRUMENT PANEL COVER SPECIFY AIRCRAFT NO. WITH ORDER		1	
20	7696690300	.LABEL SUPPORT		1	
30	7079860410	.PLUG VF6162 OPT TO 25918 MADE BY VF6162 ATTACHING PARTS		AR	
40	7193144402	.BUSHING V83014 OPT TO HN5G52-1 NYLATCH MADE BY V83014		3	
50	7193144404	.PUSHBUTTON V83014 OPT TO HN5P52-3-1 NYLATCH MADE BY V83014 * * *		3	
60	TB20 76017400	.BLANKING COVER, 3.15 IN		AR	
70	TB10 76004504	.L.H. CLOSING PLATE		1	
80	TB10 76004514	.COVER STRIP ATTACHING PARTS		1	
90	7907680679	.SCREW OPT TO 679 NOIRE MADE BY VFA870		7	R
100	7743700204	.CUP WASHER * * *		7	
110	TB20 76011506	.L.H. COVER ATTACHING PARTS		1	
120	5194868086	.SCREW VF0110 OPT TO E27160A40Q16QVAT MADE BY VF0110		4	
130	7743700204	.CUP WASHER * * *		4	

- ITEM NOT ILLUSTRATED

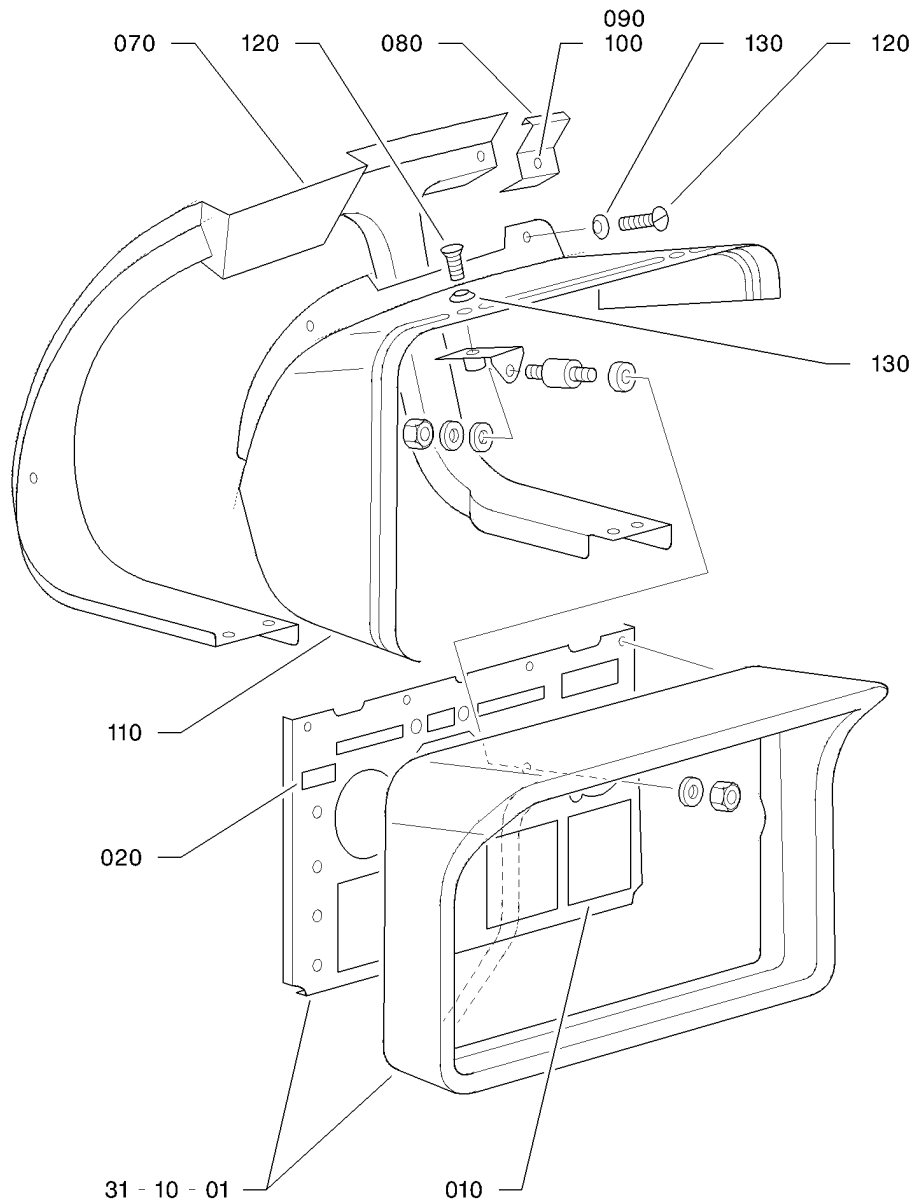
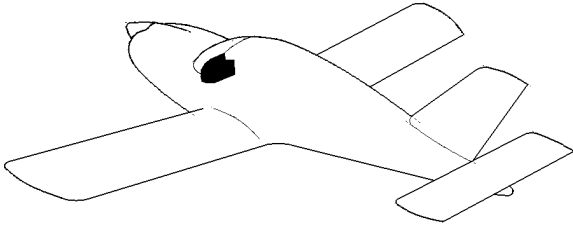
25-17-00

FIG. 1B

PAGE 1

NOV 30/18

S/N 588 - 764, 766 - 878



14251700AAALUZ4300

INSTRUMENT PANEL - L.H. INSTR. PANEL UPHOLSTERINGS
FIGURE 1C

25-17-00

FIG. 1C

PAGE 0 R

NOV 30/18

FIG.ITEM	PART NUMBER	NOMENCLATURE	EFFECT FROM TO	UNITS PER ASSY	OBS
		1234567 			
1C- 1	TF25-17-00-01C-001	INSTRUMENT PANEL - L.H. INSTR. PANEL UPHOLSTERINGS		RF	
10	TB09 76105100	.BLANKING COVER		AR	
20	7696690300	.LABEL SUPPORT		1	
70	TB10 76004504	.L.H. CLOSING PLATE		1	
80	TB10 76004514	.COVER STRIP		1	
90	7907680679	ATTACHING PARTS .SCREW OPT TO 679 NOIRE MADE BY VFA870		7	R
100	7743700204	.CUP WASHER * * *		7	
110	TB20 76011506	.L.H. COVER ATTACHING PARTS		1	
120	5194868086	.SCREW VF0110 OPT TO E27160A40Q16QVAT MADE BY VF0110		4	
130	7743700204	.CUP WASHER * * *		4	

- ITEM NOT ILLUSTRATED

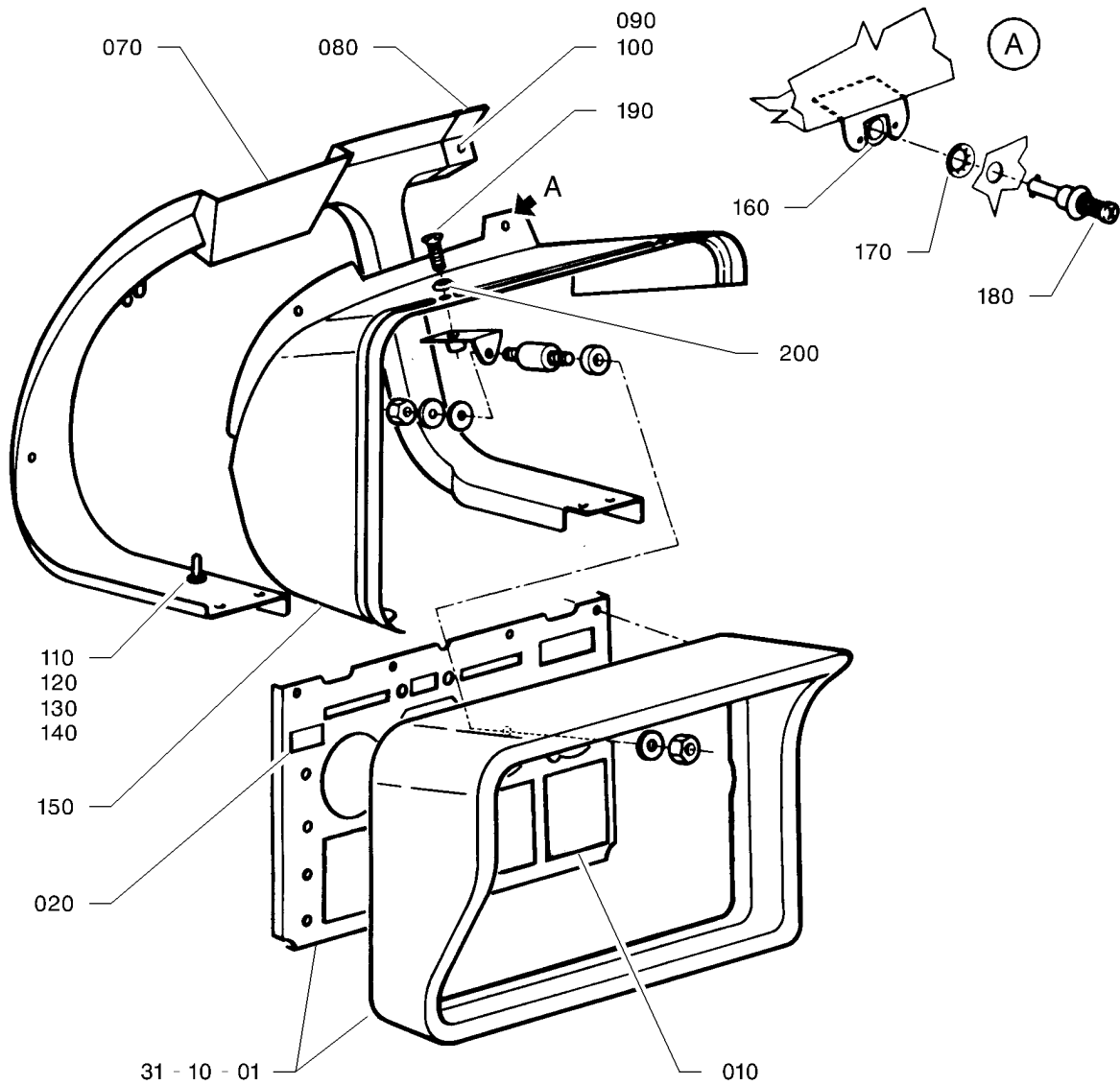
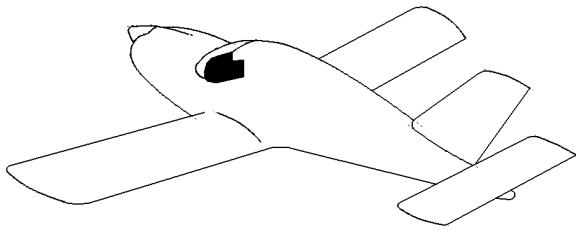
25-17-00

FIG. 1C

PAGE 1

NOV 30/18

S/N 765, 879 - 1264, 1266, 1268 - 1283, 1285 - 1294, 1297 - 1299



14251700AAABUZ4300

L.H. INSTRUMENT PANEL UPHOLSTERINGS
FIGURE 1D

25-17-00

FIG. 1D
PAGE 0 R
NOV 30/18

FIG. ITEM	PART NUMBER	1234567 	NOMENCLATURE	EFFECT FROM TO	UNITS PER ASSY	OBS
1D- 1	TF25-17-00-01D-001		L.H. INSTRUMENT PANEL UPHOLSTERINGS		RF	
10	TB09 76105100		.BLANKING COVER		AR	
20	7696690300		.LABEL SUPPORT		1	
70	TB10 76004506		.L.H. CLOSING PLATE PRE-MOD. 151		1	
- 70A	TB10 7600400730		.L.H. CLOSING PLATE POST-MOD. 151		1	
- 70B	TB10 7600400830		.L.H. CLOSING PLATE POST-MOD. 151, WITH RAISED CENTRAL CONSOLE AND WITH OPTION 22001A		1	
80	TB10 76004514		.COVER STRIP PRE-MOD. 151 ATTACHING PARTS		1	
90	7907680679		.SCREW OPT TO 679 NOIRE MADE BY VFA870		7	R
100	7743700204		.CUP WASHER * * *		7	
110	TB10 76004107		.PIN		1	
120	7681790426		.GROMMET OPT TO DA60-100-20 MADE BY VF0331 ATTACHING PARTS		1	R
130	5706039160		.WASHER OPT TO NFL23116AD040L MADE BY VF0111		1	R
140	5401458159		.NUT OPT TO E25412B40QQVAL MADE BY VF0110 SUPSD BY 5414468159		1	R
-140A	5414468159		.NUT OPT TO 4PH135M MADE BY VF0224 SUPSDS 5401458159 * * *		1	R
150	TB20 76011511		.L.H. COVER RPLD BY TB20 7601101100		1	OR
-150A	TB20 7601101100		.L.H. COVER RPLS TB20 76011511 ATTACHING PARTS		1	
160	TB10 76004005		.TAB ASSY		2	
170	7743133816		.RETAINING WASHER OPT TO 2600-LW MADE BY VD0680		2	R
180	7022131811		.STUD OPT TO 26S8-11B MADE BY V71286		2	R

- ITEM NOT ILLUSTRATED

25-17-00

FIG. 1D

PAGE 1

NOV 30/18

FIG. ITEM	PART NUMBER	NOMENCLATURE	EFFECT FROM TO	UNITS PER ASSY	OBS
1D 190	5194868086	1234567 .SCREW OPT TO E27160A40Q16QVAT MADE BY VF0110		2	R
200	7743700204	.CUP WASHER * * *		2	

- ITEM NOT ILLUSTRATED

25-17-00

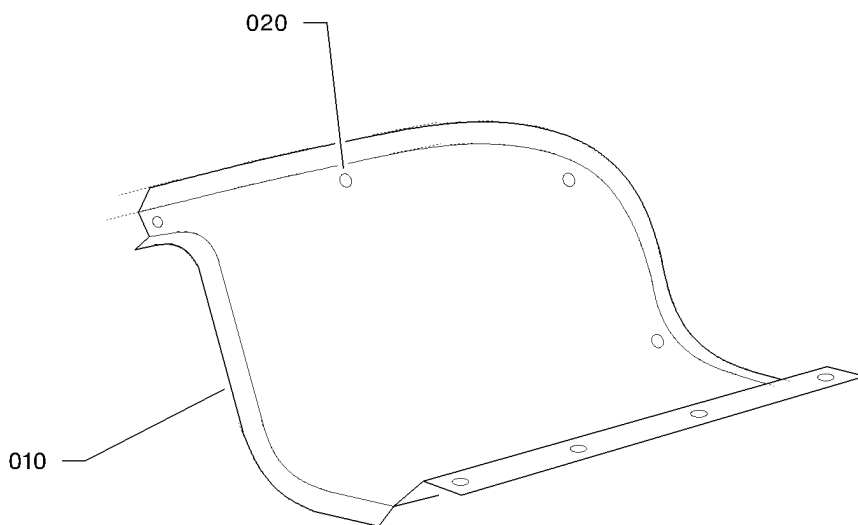
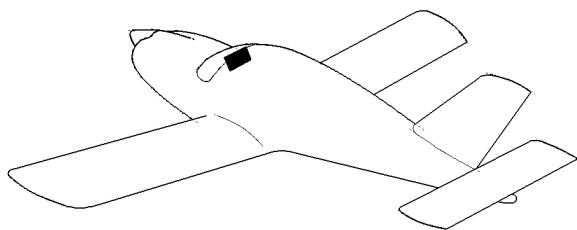
FIG. 1D

PAGE 2

NOV 30/18

S/N 1265, 1267, 1284, 1295, 1296, 1300 - 9999

PAGE INTENTIONALLY BLANK



14251700AAAEVZ4300

INSTRUMENT PANEL - R.H. INSTRUMENT PANEL UPHOLSTERINGS
FIGURE 2

25-17-00

FIG. 2

PAGE 0 R

NOV 30/18

FIG.ITEM	PART NUMBER	NOMENCLATURE	EFFECT FROM TO	UNITS PER ASSY	OBS
		1234567 			
2 - 1	TF25-17-00-02-001	INSTRUMENT PANEL - R.H. INSTRUMENT PANEL UPHOLSTERINGS		RF	R
10	TB10 76006201	.R.H. CLOSING PLATE BLUE		1	OR
- 10A	TB10 76006301	.R.H. CLOSING PLATE BROWN		1	OR
20	7083745131	ATTACHING PARTS .STUD VF0712 OPT TO 7080 MADE BY VF0712 * * *		AR	

- ITEM NOT ILLUSTRATED

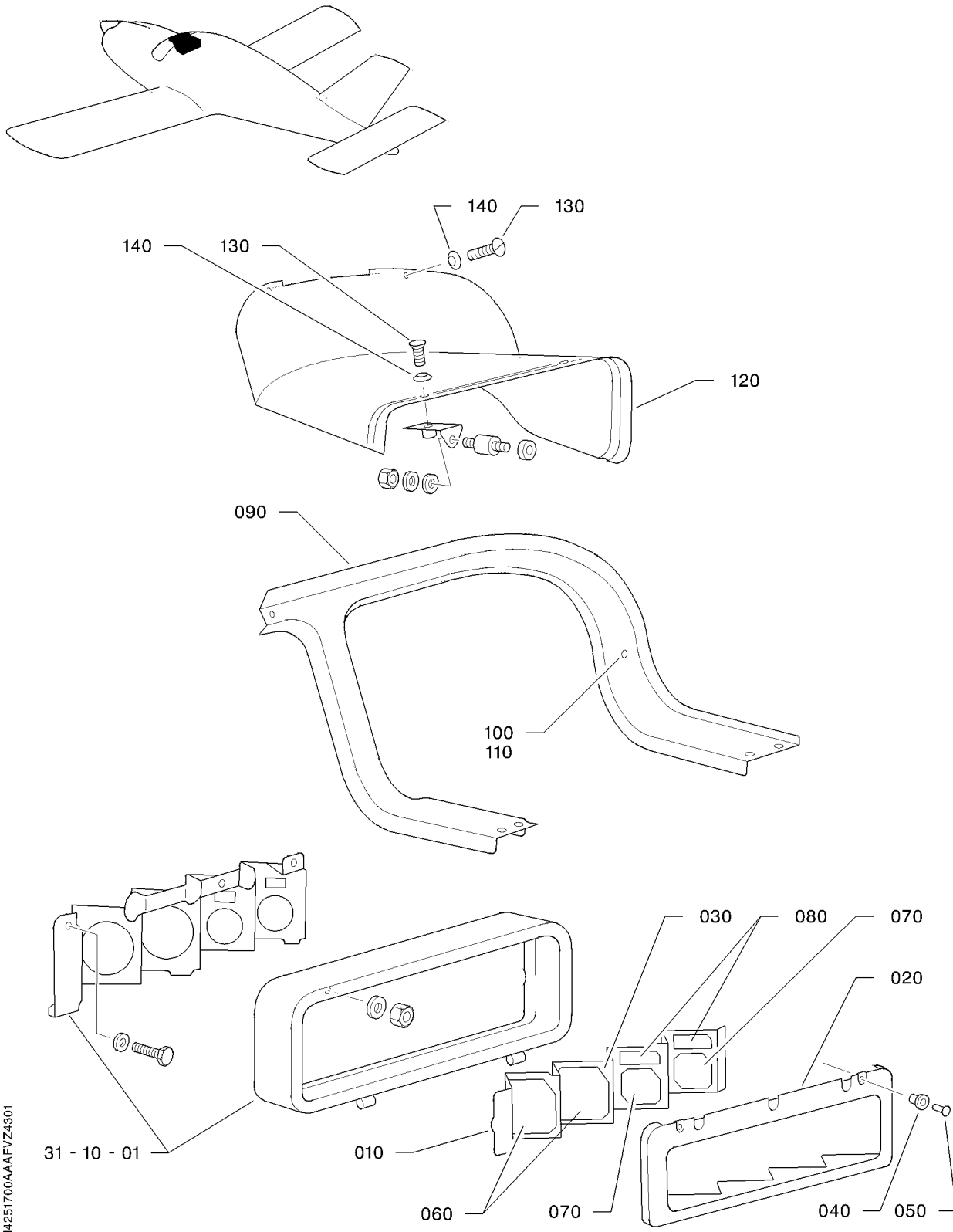
25-17-00

FIG. 2

PAGE 1

NOV 30/18

S/N 1 - 274 WITHOUT R.H. INSTRUMENT PANEL OPTION



14251700AAA FVZ4301

R.H. INSTRUMENT PANEL UPHOLSTERINGS
FIGURE 2A

25-17-00

FIG. 2A

PAGE 0 R

NOV 30/18

FIG. ITEM	PART NUMBER	NOMENCLATURE	EFFECT FROM TO	UNITS PER ASSY	OBS
		1234567 			
2A- 1	TF25-17-00-02A-001	R.H. INSTRUMENT PANEL UPHOLSTERINGS		RF	
10	TB20 74022202	.R.H. INSTRUMENT PANEL COVER BLUE		1	OR
- 10A	TB20 74022302	.R.H. INSTRUMENT PANEL COVER BROWN		1	OR
20	TB20 74022201	.COVERING FRAME FOR R.H. SMALL INSTRUMENT PANEL BLUE		1	OR
- 20A	TB20 74022301	.COVERING FRAME FOR R.H. SMALL INSTRUMENT PANEL BROWN		1	OR
30	7079860410	.PLUG VF6162 OPT TO 25918 MADE BY VF6162		AR	
40	7193144402	.BUSHING V83014 OPT TO HN5G52-1 NYLATCH MADE BY V83014		3	
50	7193144404	.PUSHBUTTON V83014 OPT TO HN5P52-3-1 NYLATCH MADE BY V83014		3	
		* * *			
60	TB20 76017400	.BLANKING COVER, 3.15 IN		AR	
70	TB20 76017401	.BLANKING COVER, 2.36 IN		AR	
80	TB20 76017406	.GALVANOMETER BLANKING COVER		AR	
90	TB20 76007201	.R.H. CLOSING PLATE S/N 275 - 584 BLUE		1	OR
- 90A	TB20 76007301	.R.H. CLOSING PLATE S/N 275 - 584 BROWN		1	OR
- 90B	TB20 76007202	.R.H. CLOSING PLATE S/N 585 - 587 BLUE		1	OR
- 90C	TB20 76007302	.R.H. CLOSING PLATE S/N 585 - 587 BROWN		1	OR
		ATTACHING PARTS			
100	7907680679	.SCREW OPT TO 679 NOIRE MADE BY VFA870		5	R
110	7743700204	.CUP WASHER * * *		5	
120	TB20 76012202	.R.H. COVER S/N 275 - 584 BLUE		1	OR
-120A	TB20 76012302	.R.H. COVER S/N 275 - 584 BROWN		1	OR
-120B	TB20 76012204	.R.H. COVER S/N 585 - 587 BLUE		1	OR
-120C	TB20 76012304	.R.H. COVER S/N 585 - 587 BROWN		1	OR

- ITEM NOT ILLUSTRATED

25-17-00

FIG. 2A

PAGE 1

NOV 30/18

S/N 275 - 587 R.H. SMALL INSTRUMENT PANEL

FIG. ITEM	PART NUMBER	NOMENCLATURE	EFFECT FROM TO	UNITS PER ASSY	OBS
2A		1234567 ATTACHING PARTS . SCREW VF0110 OPT TO E27160A40Q16QVAT MADE BY VF0110 . CUP WASHER * * *		4	
130	5194868086			4	
140	7743700204			4	

- ITEM NOT ILLUSTRATED

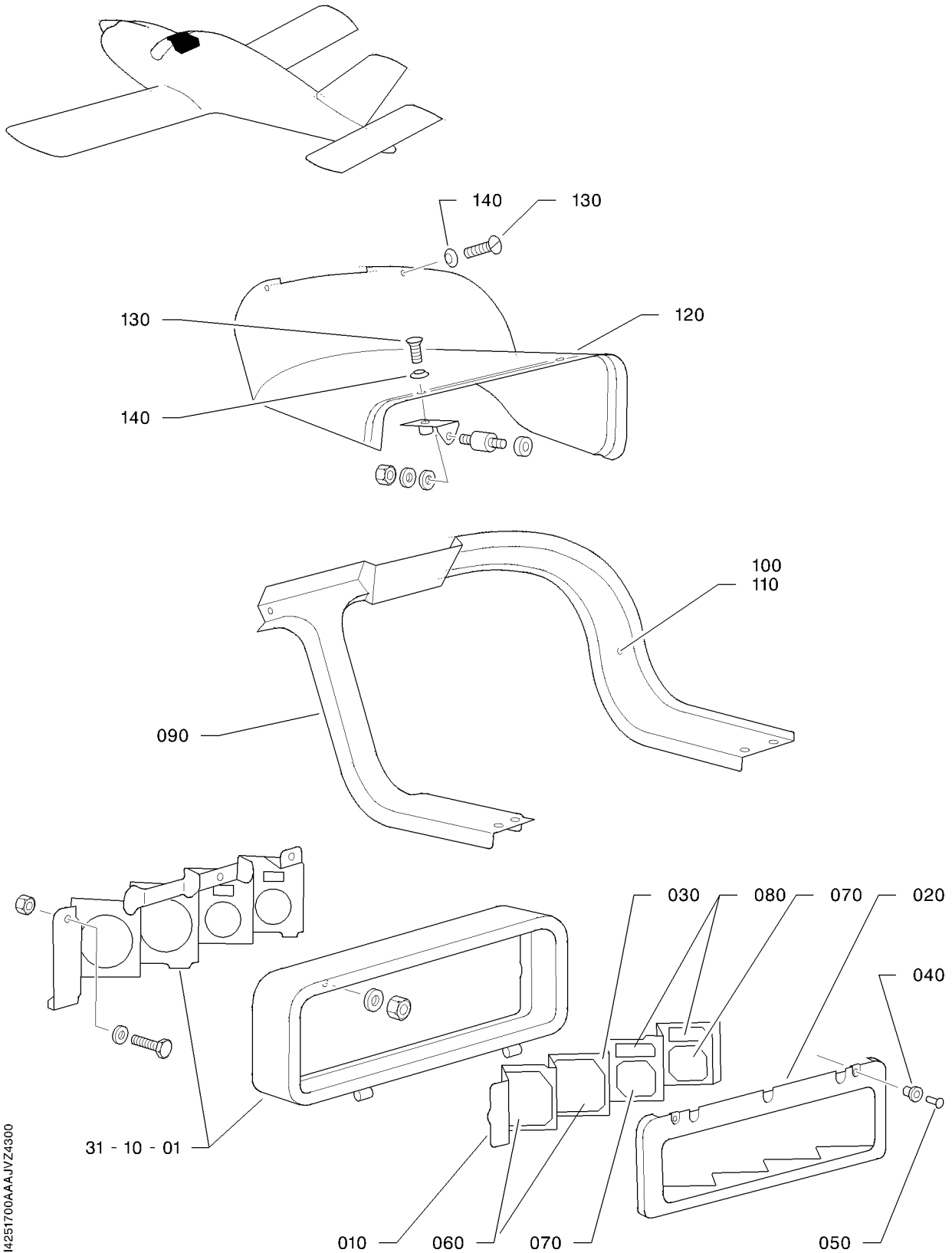
25-17-00

FIG. 2A

PAGE 2 R

NOV 30/18

PAGE INTENTIONALLY BLANK



I4251700AAA JVZ4300

R.H. INSTRUMENT PANEL UPHOLSTERINGS
FIGURE 2B

25-17-00

FIG. 2B

PAGE 0 R

NOV 30/18

FIG.ITEM	PART NUMBER	NOMENCLATURE	EFFECT FROM TO	UNITS PER ASSY	OBS
		1234567 			
2B- 1	TF25-17-00-02B-001	R.H. INSTRUMENT PANEL UPHOLSTERINGS		RF	
10	TB20 74022403	.R.H. INSTRUMENT PANEL COVER		1	
20	TB20 74022401	.COVERING FRAME FOR R.H. SMALL INSTRUMENT PANEL		1	
30	7079860410	.PLUG VF6162 OPT TO 25918 MADE BY VF6162 ATTACHING PARTS		AR	
40	7193144402	.BUSHING V83014 OPT TO HN5G52-1 NYLATCH MADE BY V83014		3	
50	7193144404	.PUSHBUTTON V83014 OPT TO HN5P52-3-1 NYLATCH MADE BY V83014 * * *		3	
60	TB20 76017400	.BLANKING COVER, 3.15 IN		AR	
70	TB20 76017401	.BLANKING COVER, 2.36 IN		AR	
80	TB20 76017406	.GALVANOMETER BLANKING COVER		AR	
90	TB20 76007502	.R.H. CLOSING PLATE ATTACHING PARTS		1	
100	7907680679	.SCREW OPT TO 679 NOIRE MADE BY VFA870		5	R
110	7743700204	.CUP WASHER * * *		5	
120	TB20 76012504	.R.H. COVER ATTACHING PARTS		1	
130	5194868086	.SCREW VF0110 OPT TO E27160A40Q16QVAT MADE BY VF0110		4	
140	7743700204	.CUP WASHER * * *		4	

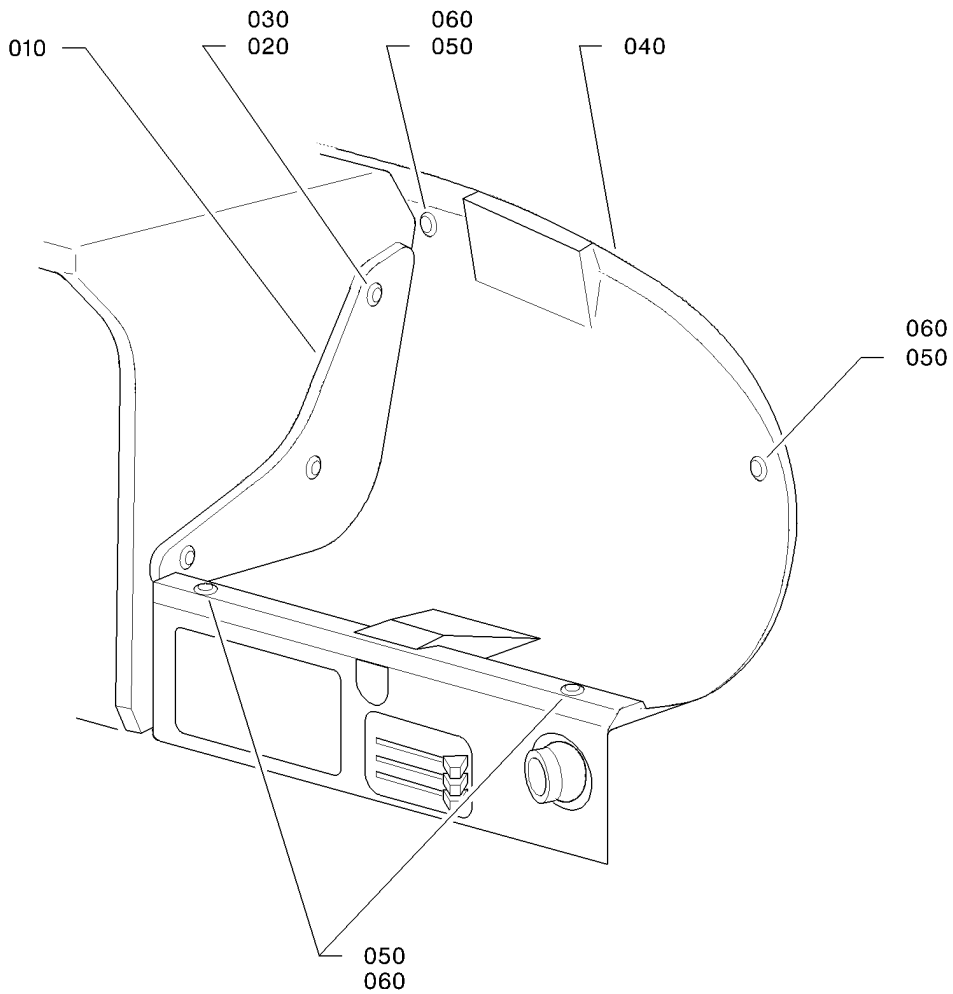
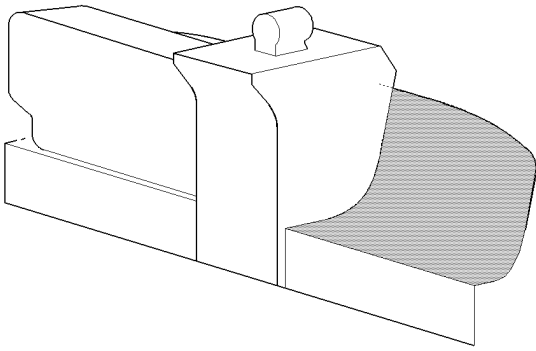
- ITEM NOT ILLUSTRATED

25-17-00

FIG. 2B

PAGE 1

NOV 30/18



14251700AAAKUZ4300

INSTRUMENT PANEL - R.H. INSTRUMENT PANEL UPHOLSTERINGS
FIGURE 2C

25-17-00

FIG. 2C

PAGE 0 R

NOV 30/18

FIG.ITEM	PART NUMBER	1234567 	NOMENCLATURE	EFFECT FROM TO	UNITS PER ASSY	OBS
2C- 1	TF25-17-00-02C-001		INSTRUMENT PANEL - R.H. INSTRUMENT PANEL UPHOLSTERINGS		RF	R
10	TB09 76123501		.RADIO RACK SIDE BLANKING COVER ATTACHING PARTS		1	
20	7907680679		.SCREW OPT TO 679 NOIRE MADE BY VFA870 RPLD BY 7907680682 RPLD BY 7907680682		3	R
- 20A	7907680682		.SCREW OPT TO 682 3.25X25 NOIRE MADE BY VFA870 RPLS 7907680679		3	R
30	7743700204		.CUP WASHER * * *		3	
40	TB09 76122501		.R.H. CLOSING PLATE ATTACHING PARTS		1	
50	7907680679		.SCREW OPT TO 679 NOIRE MADE BY VFA870		4	R
60	7743700204		.CUP WASHER * * *		4	

- ITEM NOT ILLUSTRATED

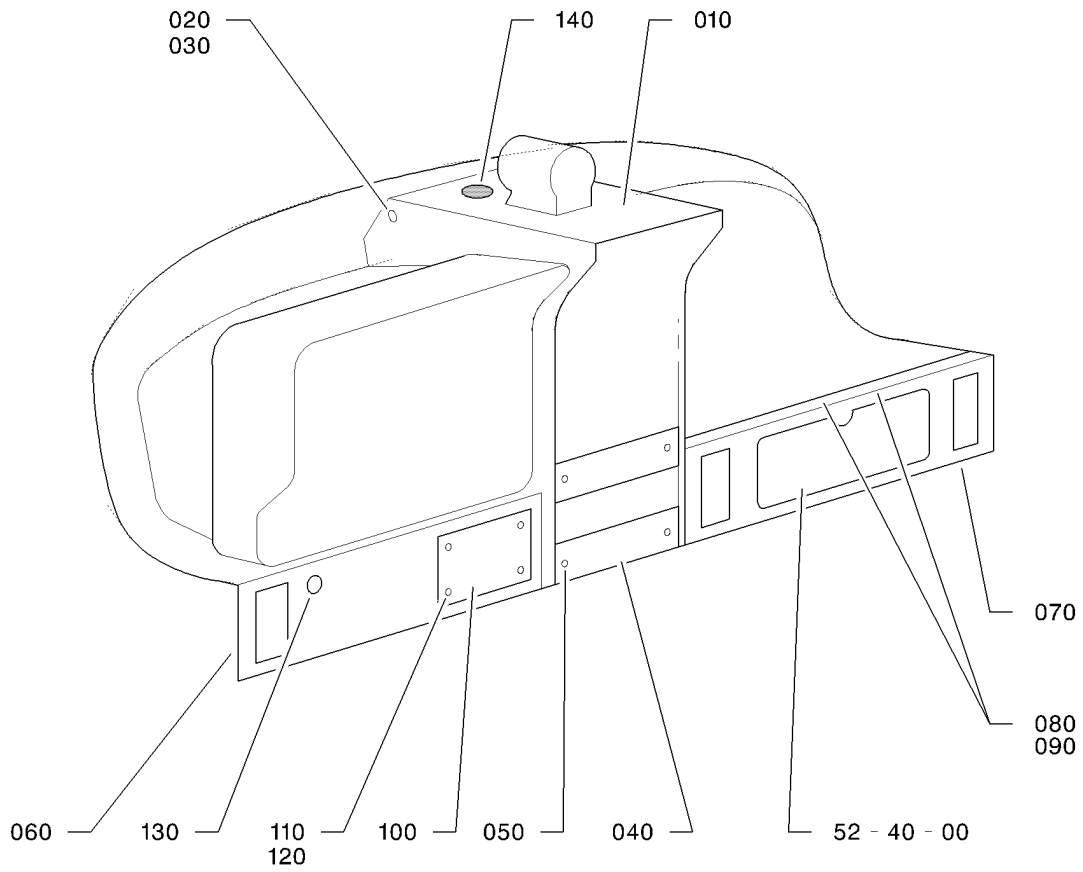
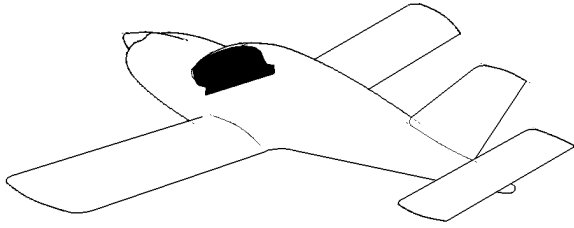
25-17-00

FIG. 2C

PAGE 1

NOV 30/18

S/N 765, 879 - 9999, WITHOUT R.H. INSTRUMENT PANEL



14251700AAAGVZ4300

INST. PANEL - CENTRAL CONSOLE AND STRIP UPHOLS.
FIGURE 3

25-17-00

FIG. 3
PAGE 0 R
NOV 30/18

FIG.ITEM	PART NUMBER	NOMENCLATURE	EFFECT FROM TO	UNITS PER ASSY	OBS
		1234567 			
3 - 1	TF25-17-00-03-001	INST. PANEL - CENTRAL CONSOLE AND STRIP UPHOLS.		RF	R
10	TB10 76003120	.CENTRAL CONSOLE UPHOLSTERING S/N 1 - 100		1	OR
- 10A	TB10 76021120	.CENTRAL CONSOLE UPHOLSTERING S/N 101 - 274		1	
20	7009680373	ATTACHING PARTS .CLIP VFA870 OPT TO 373 MADE BY VFA870 RPLD BY TB20 23017005 + 5026104120 + 5735053160		2	OR
- 20A	5026104120	.SCREW RPLS 7009680373		2	
30	5735053160	.CUP WASHER * * *		2	OR
40	TB10 76019107	.COVER ATTACHING PARTS		1	
50	5263055004	.SCREW OPT TO E25663B29C095GASZ MADE BY VF0110 * * *		AR	
60	TB10 74062201	.L.H. SHEATHED STRIP BLUE		1	OR
- 60A	TB10 74062301	.L.H. SHEATHED STRIP BROWN		1	OR
70	TB10 74061202	.R.H. SHEATHED STRIP BLUE		1	OR
- 70A	TB10 74061302	.R.H. SHEATHED STRIP BROWN ATTACHING PARTS		1	OR
80	7907680679	.SCREW OPT TO 679 NOIRE MADE BY VFA870		12	R
90	7743700204	.CUP WASHER * * *		12	
100	TB10 74082212	.BLANKING PLATE BLUE		1	OR
-100A	TB10 74082312	.BLANKING PLATE BROWN ATTACHING PARTS		1	OR
110	5101229164	.BOLT		4	R
120	5431465239	.ANCHOR NUT, ONE LUG VF0224 OPT TO 5AJ109M MADE BY VF0224		4	
130	TB10 74063100	.TRIM		1	
140	7729390129	.ROSE VD8905 OPT TO 590-0129 MADE BY VD8905 * * *		1	

- ITEM NOT ILLUSTRATED

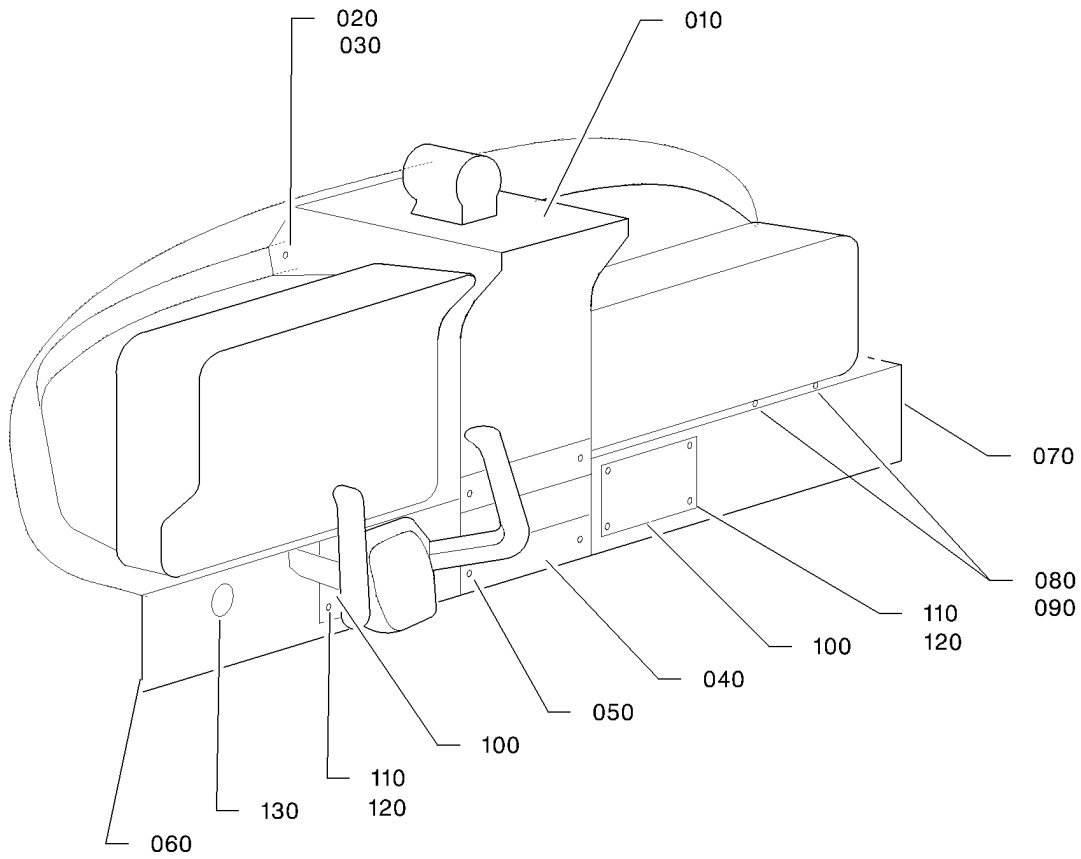
25-17-00

FIG. 3

PAGE 1

NOV 30/18

S/N 1 - 274



1431000AAAAYZ14500

INST. PANEL - CENTRAL CONSOLE AND STRIP UPHOLS.
FIGURE 3A

25-17-00

FIG. 3A

PAGE 0 R

NOV 30/18

FIG. ITEM	PART NUMBER	NOMENCLATURE	EFFECT FROM TO	UNITS PER ASSY	OBS
		1234567 			
3A- 1	TF25-17-00-03A-001	INST. PANEL - CENTRAL CONSOLE AND STRIP UPHOLS.		RF	
10	TB20 76010201	.CENTRAL CONSOLE UPHOLSTERING BLUE		1	OR
- 10A	TB20 76010301	.CENTRAL CONSOLE UPHOLSTERING BROWN		1	OR
20	7009680373	.CLIP VFA870 OPT TO 373 MADE BY VFA870 RPLD BY 1 SUPPORT TB20 23017005 + 1 SCREW 5026104120 + 1 CUPWASHER 5735053160		2	OR R
- 20A	5026104120	.SCREW RPLS 7009680373		2	
30	5735053160	.CUP WASHER * * *		2	OR
40	TB10 76019108	.COVER RPLD BY TB10 76019109		1	OR
- 40A	TB10 76019109	.COVER RPLS TB10 76019108		1	
50	5263055004	.SCREW OPT TO E25663B29C095GASZ MADE BY VF0110 * * *		AR	
60	TB20 74025201	.L.H. SHEATHED STRIP S/N 1 - 584 BLUE		1	OR
- 60A	TB20 74025301	.L.H. SHEATHED STRIP S/N 1 - 584 BROWN		1	OR
- 60B	TB20 74025204	.L.H. SHEATHED STRIP S/N 585 - 587 BLUE		1	OR
- 60C	TB20 74025304	.L.H. SHEATHED STRIP S/N 585 - 587 BROWN		1	OR
70	TB20 74026200	.R.H. SHEATHED STRIP S/N 1 - 584 BLUE		1	OR
- 70A	TB20 74026300	.R.H. SHEATHED STRIP S/N 1 - 584 BROWN		1	OR
- 70B	TB10 74075201	.R.H. SHEATHED STRIP S/N 585 - 587 BLUE		1	OR
- 70C	TB10 74075301	.R.H. SHEATHED STRIP S/N 585 - 587 BROWN		1	OR
80	7907680679	.SCREW OPT TO 679 NOIRE MADE BY VFA870		12	R
90	7743700204	.CUP WASHER * * *		12	

- ITEM NOT ILLUSTRATED

25-17-00

FIG. 3A

PAGE 1

NOV 30/18

FIG.ITEM	PART NUMBER	NOMENCLATURE		EFFECT FROM TO	UNITS PER ASSY	OBS
		1234567 				
3A 100	TB10 74082212		.BLANKING PLATE BLUE		AR	OR
-100A	TB10 74082312		.BLANKING PLATE BROWN		AR	OR
110	5101229164		.BOLT		4	R
120	5431465239		.ANCHOR NUT, ONE LUG VF0224 OPT TO 5AJ109M MADE BY VF0224 * * *		4	
130	TB10 74063100		.TRIM		1	

- ITEM NOT ILLUSTRATED

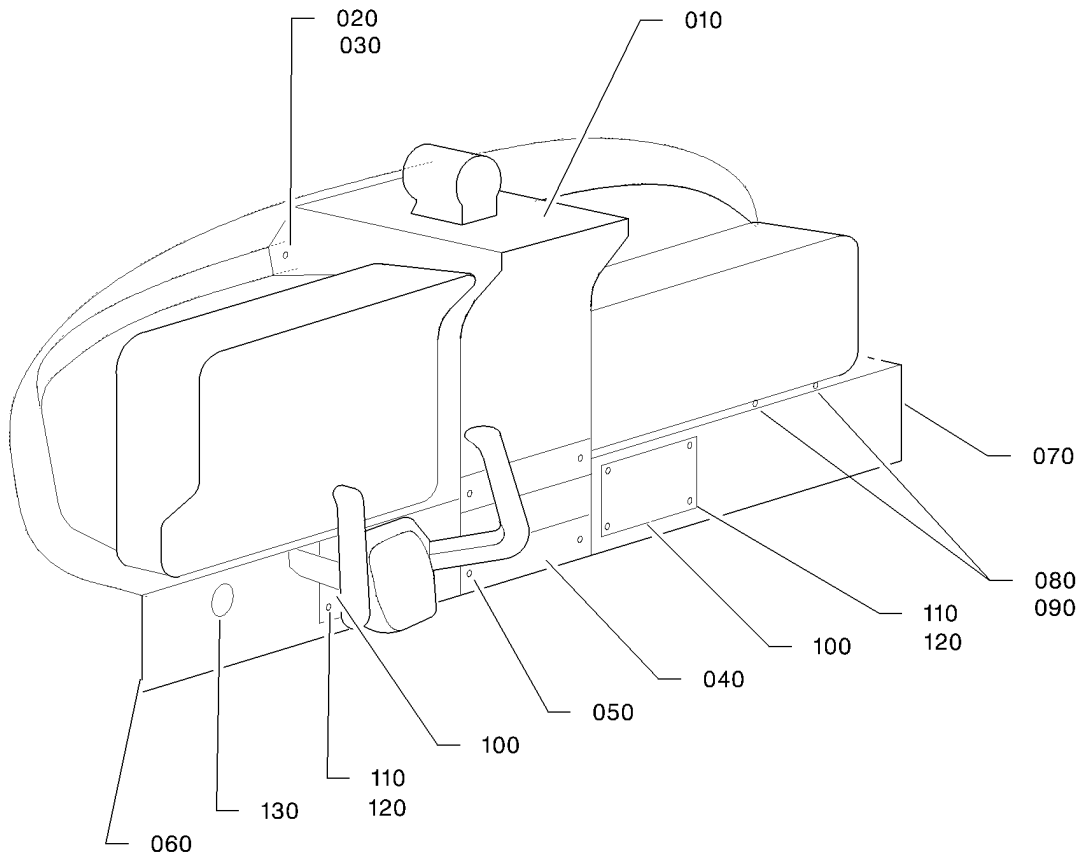
25-17-00

FIG. 3A

PAGE 2

NOV 30/18

PAGE INTENTIONALLY BLANK



14310000AAAAAYZ14500

INST. PANEL - CENTRAL CONSOLE AND STRIP UPHOLS.
FIGURE 3B

25-17-00

FIG. 3B

PAGE 0 R

NOV 30/18

FIG.ITEM	PART NUMBER	1234567 	NOMENCLATURE	EFFECT FROM TO	UNITS PER ASSY	OBS
3B- 1	TF25-17-00-03B-001		INST. PANEL - CENTRAL CONSOLE AND STRIP UPHOLS.		RF	
10	TB20 76010402		.NOT-RAISED CENTRAL CONSOLE UPHOLSTERING ATTACHING PARTS		1	OR
20	7009680373		.CLIP VFA870 OPT TO 373 MADE BY VFA870 RPLD BY 1 SUPPORT TB20 23017005 + 1 SCREW 5026104120 + 1 CUPWASHER 5735053160		2	OR R
- 20A	5026104120		.SCREW RPLS 7009680373		2	
30	5735053160		.CUP WASHER * * *		2	OR
40	TB10 76019108		.COVER RPLD BY TB10 76019109		1	OR
- 40A	TB10 76019109		.COVER RPLS TB10 76019108 ATTACHING PARTS		1	
50	5263055004		.SCREW OPT TO E25663B29C095GASZ MADE BY VF0110 * * *		AR	
60	TB20 74025512		.L.H. SHEATHED STRIP S/N 589 - 599, 601 - 609		1	
- 60A	TB20 74025514		.L.H. SHEATHED STRIP S/N 588, 600, 610 - 730		1	
- 60B	TB20 74025515		.L.H. SHEATHED STRIP S/N 731 - 764, 766 - 878		1	
70	TB10 74075501		.R.H. SHEATHED STRIP ATTACHING PARTS		1	
80	7907680679		.SCREW OPT TO 679 NOIRE MADE BY VFA870		12	R
90	7743700204		.CUP WASHER * * *		12	
100	TB10 74082412		.BLANKING PLATE ATTACHING PARTS		AR	
110	5101229164		.BOLT		4	
120	5431465239		.ANCHOR NUT, ONE LUG VFO224 OPT TO 5AJ109M MADE BY VFO224 * * *		4	R
130	TB10 74063100		.TRIM		1	

- ITEM NOT ILLUSTRATED

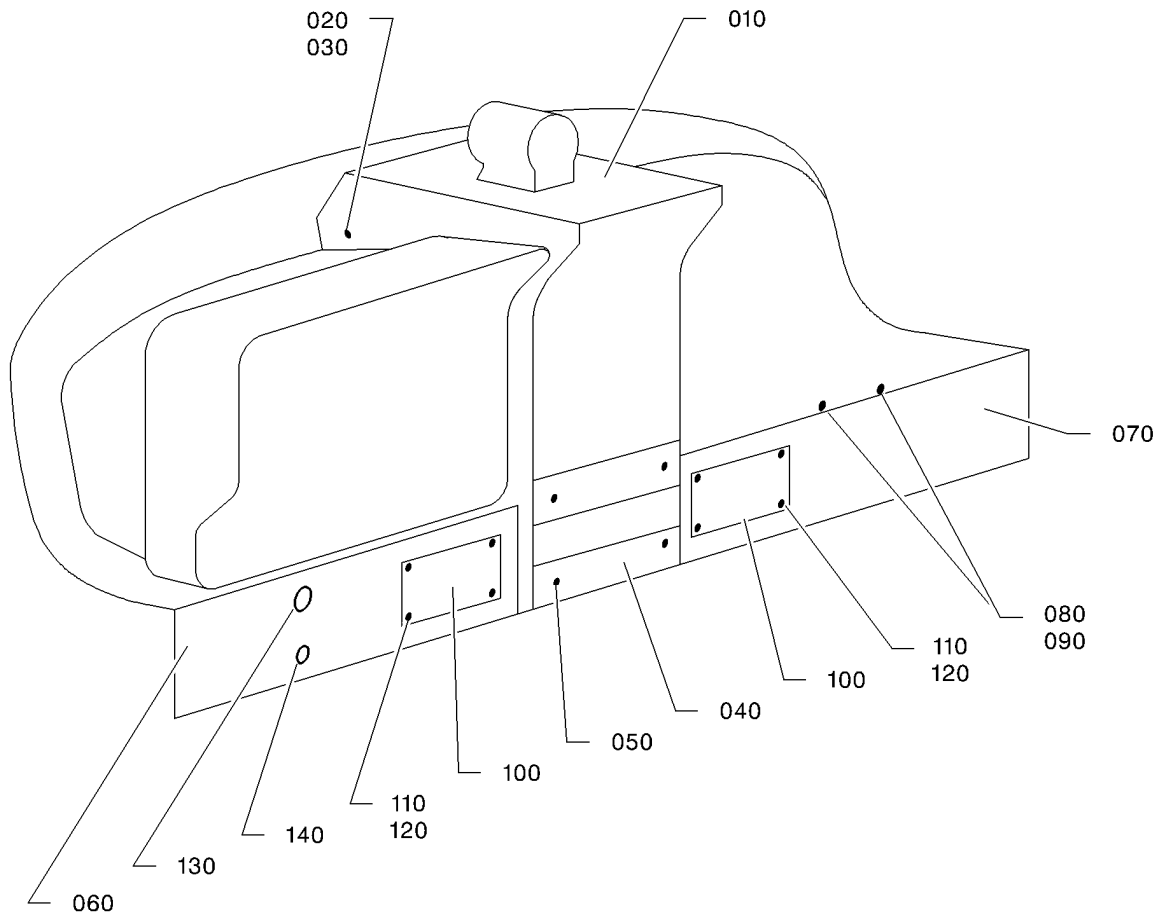
25-17-00

FIG. 3B

PAGE 1

NOV 30/18

S/N 588 - 764, 766 - 878



14310000AAACUZ4301

INST. PANEL - CENTRAL CONSOLE AND STRIP UPHOLS.
FIGURE 3C

25-17-00

FIG. 3C

PAGE 0 R

NOV 30/18

FIG. ITEM	PART NUMBER	1234567 	NOMENCLATURE	EFFECT FROM TO	UNITS PER ASSY	OBS
3C- 1	TF25-17-00-03C-001		INST. PANEL - CENTRAL CONSOLE AND STRIP UPHOLS.		RF	
10	TB20 76010402		.NOT-RAISED CENTRAL CONSOLE UPHOLSTERING S/N 765, 879 - 1800 RPLD BY TB20 76010400		1	OR
- 10A	TB20 76010400		.NOT-RAISED CENTRAL CONSOLE UPHOLSTERING RPLS TB20 76010402		1	
20	7009680373		.CLIP VFA870 OPT TO 373 MADE BY VFA870 S/N 765, 879 - 1100 RPLD BY 1 SUPPORT TB20 23017005 + 1 SCREW 5026104120 + 1 CUPWASHER 5735053160		2	OR R
- 20A	5026104120		.SCREW RPLS 7009680373		2	
30	5735053160		.CUP WASHER * * *		2	OR
40	TB10 76019108		.COVER RPLD BY TB10 76019109		1	OR
- 40A	TB10 76019109		.COVER RPLS TB10 76019108		1	
50	5263055004		.SCREW OPT TO E25663B29C095GASZ MADE BY VF0110 * * *		AR	
60	TB20 74025515		.L.H. SHEATHED STRIP		1	
70	TB10 74075501		.R.H. SHEATHED STRIP		1	
80	7907680679		.SCREW OPT TO 679 NOIRE MADE BY VFA870		12	R
90	7743700204		.CUP WASHER * * *		12	
100	TB10 74082412		.BLANKING PLATE ATTACHING PARTS		AR	
110	5101229164		.BOLT		4	R
120	5431465239		.ANCHOR NUT, ONE LUG VF0224 OPT TO 5AJ109M MADE BY VF0224 * * *		4	
130	TB10 74063100		.TRIM		1	
140	7640012603		.BLANKING PLUG WITHOUT EMERGENCY STATIC VALVE		1	R

- ITEM NOT ILLUSTRATED

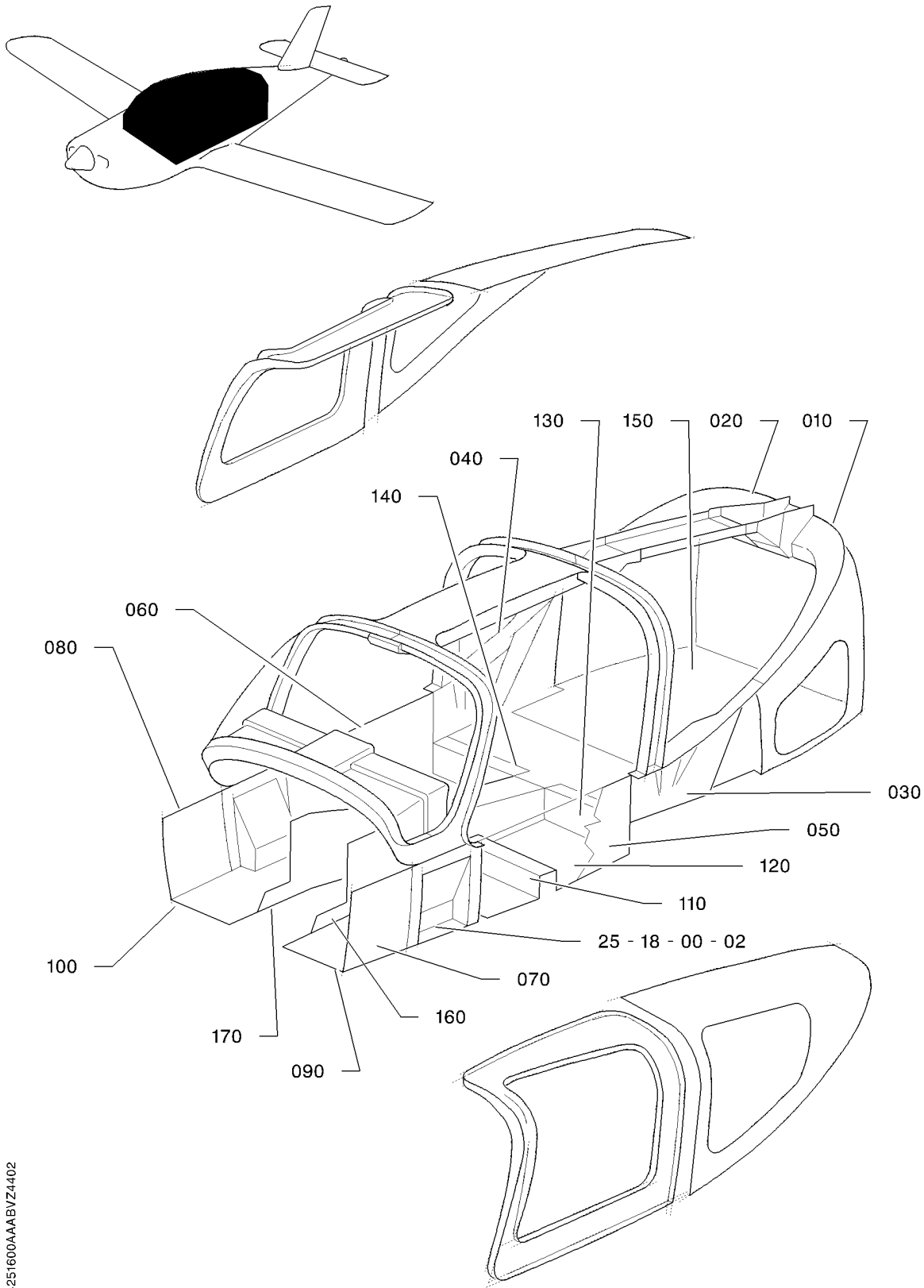
25-17-00

FIG. 3C

PAGE 1

NOV 30/18

S/N 765, 879 - 9999



I4251600AAAABVZ4402

CABIN - "BLUE" UPHOLSTERING
FIGURE 1

25-18-00

FIG. 1
PAGE 0 R
NOV 30/18

FIG.ITEM	PART NUMBER	NOMENCLATURE		EFFECT FROM TO	UNITS PER ASSY	OBS
		1234567 				
1 - 1	TB25-18-00-01-001		CABIN - "BLUE" UPHOLSTERING		RF	
10	TB10 74003201		.L.H. SPAR		1	
20	TB10 74003202		.R.H. SPAR		1	
30	TB10 74003203		.L.H. REAR ARMREST		1	
40	TB10 74003204		.R.H. REAR ARMREST		1	
50	TB10 74057203		.L.H. DOOR ENTRY UPHOLSTERING		1	
60	TB10 74057204		.R.H. DOOR ENTRY UPHOLSTERING		1	
70	TB10 74058104		.L.H. UPHOLSTERING SUPPORT		1	
80	TB10 74058102		.R.H. UPHOLSTERING SUPPORT		1	
90	TB10 74003123		.L.H. FRONT CARPET		1	
100	TB10 74003124		.R.H. FRONT CARPET		1	
110	TB10 74003125		.TUNNEL UPHOLSTERY CARPET		2	
120	TB10 74003170		.REAR CARPET		2	
130	TB10 74003141		.L.H. REAR VERTICAL CARPET		1	
140	TB10 74003140		.R.H. REAR VERTICAL CARPET		1	
150	TB10 74003131		.CARGO COMPARTMENT CARPET		1	
160	TB10 74003136		.CONSOLE L.H. UPHOLSTERING		1	
170	TB10 74003135		.CONSOLE R.H. UPHOLSTERING		1	

- ITEM NOT ILLUSTRATED

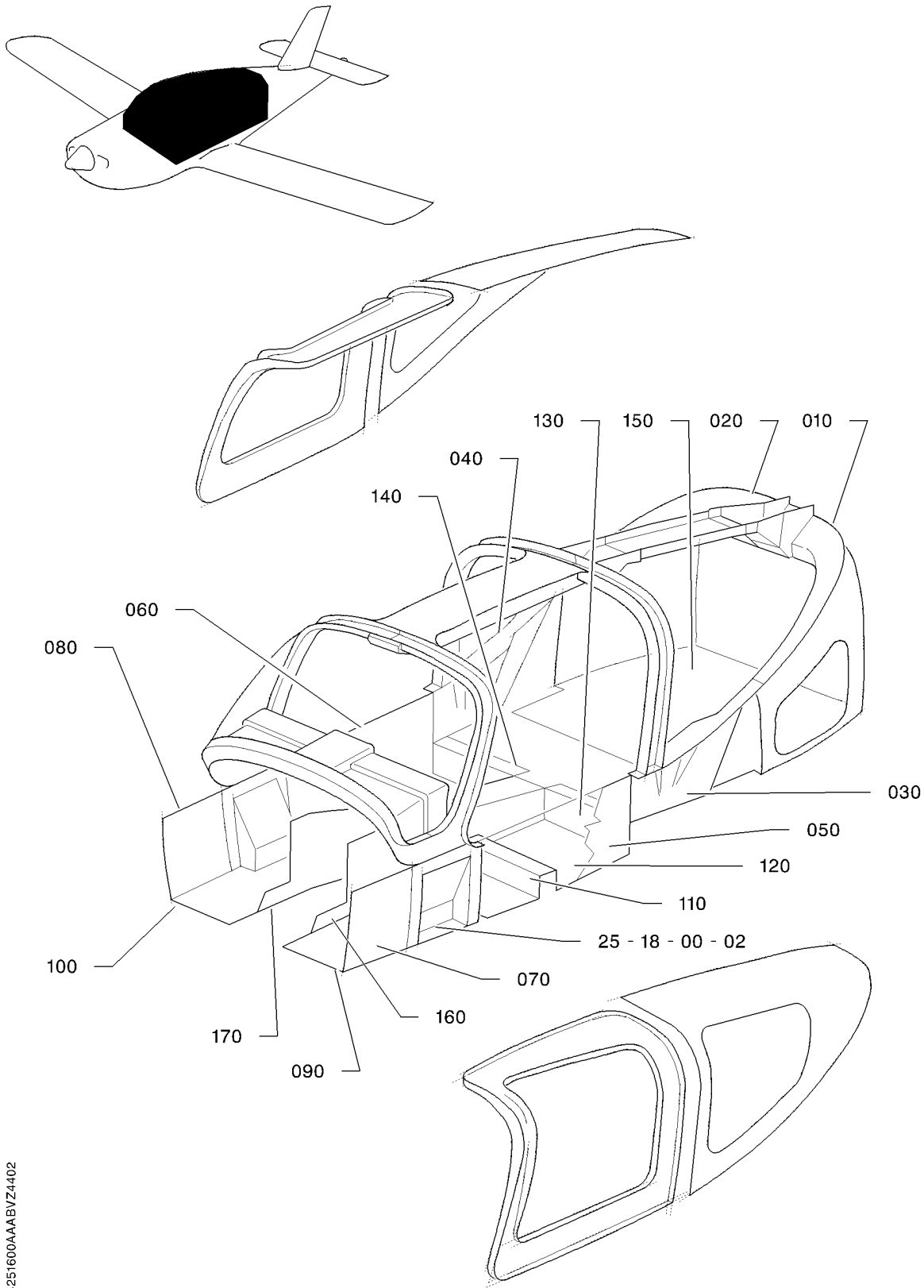
25-18-00

FIG. 1

PAGE 1 R

NOV 30/18

S/N 1 - 587 BLUE



I4251600AAAABVZ4402

CABIN - "BROWN" UPHOLSTERING
FIGURE 1A

25-18-00

FIG. 1A

PAGE 0 R

NOV 30/18

FIG.ITEM	PART NUMBER	NOMENCLATURE		EFFECT FROM TO	UNITS PER ASSY	OBS
		1234567 				
1A- 1	TB25-18-00-01A-001		CABIN - "BROWN" UPHOLSTERING		RF	R
10	TB10 74003301		.L.H. SPAR		1	
20	TB10 74003302		.R.H. SPAR		1	
30	TB10 74003303		.L.H. REAR ARMREST		1	
40	TB10 74003304		.R.H. REAR ARMREST		1	
50	TB10 74057303		.L.H. DOOR ENTRY UPHOLSTERING		1	
60	TB10 74057304		.R.H. DOOR ENTRY UPHOLSTERING		1	
70	TB10 74058104		.L.H. UPHOLSTERING SUPPORT		1	
80	TB10 74058102		.R.H. UPHOLSTERING SUPPORT		1	
90	TB10 74003123		.L.H. FRONT CARPET		1	
100	TB10 74003124		.R.H. FRONT CARPET		1	
110	TB10 74003125		.TUNNEL UPHOLSTERY CARPET		2	
120	TB10 74003170		.REAR CARPET		2	
130	TB10 74003141		.L.H. REAR VERTICAL CARPET		1	
140	TB10 74003140		.R.H. REAR VERTICAL CARPET		1	
150	TB10 74003131		.CARGO COMPARTMENT CARPET		1	
160	TB10 74003136		.CONSOLE L.H. UPHOLSTERING		1	
170	TB10 74003135		.CONSOLE R.H. UPHOLSTERING		1	

- ITEM NOT ILLUSTRATED

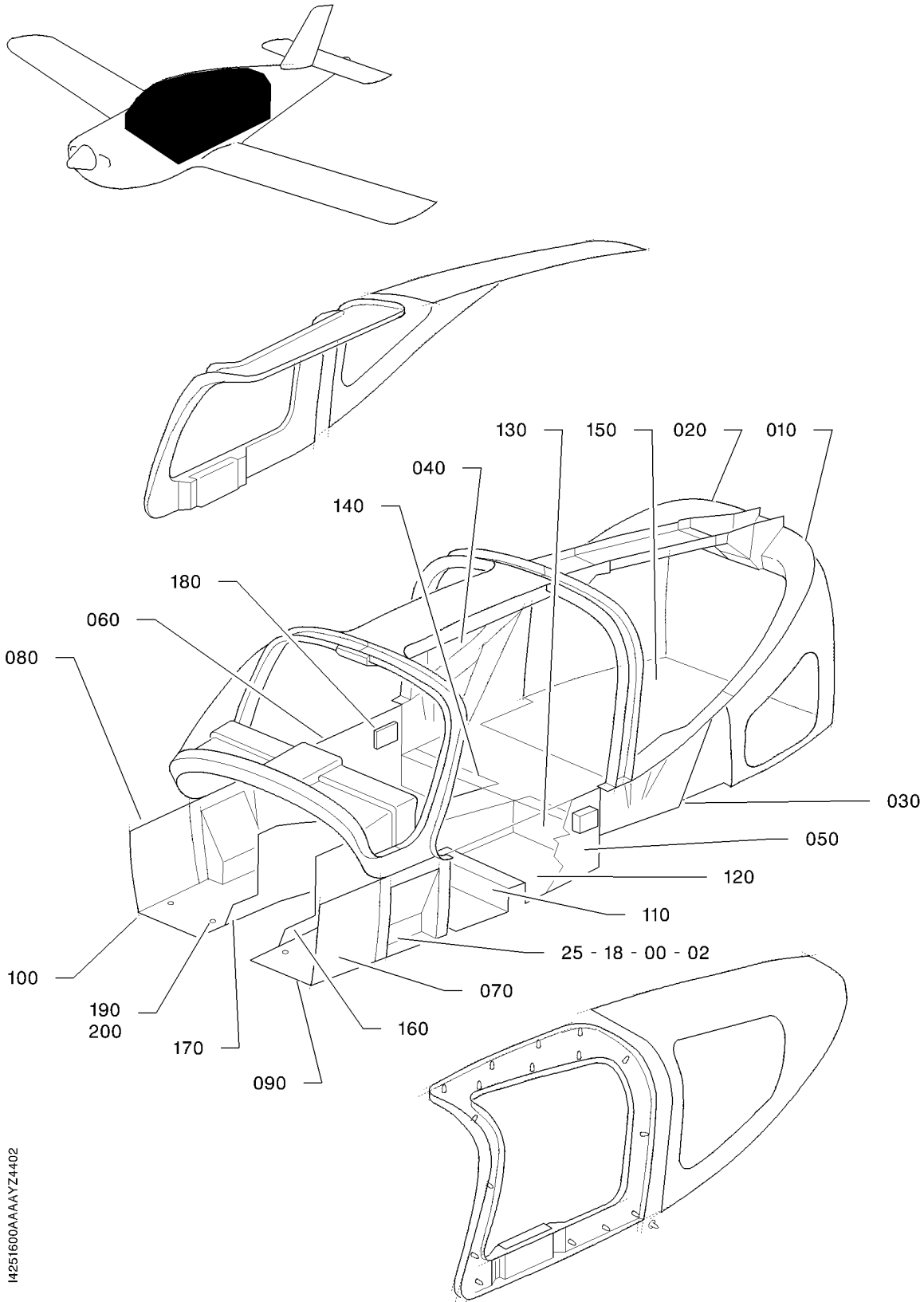
25-18-00

FIG. 1A

PAGE 1

NOV 30/18

S/N 1 - 587 BROWN



CABIN - UPHOLSTERING
FIGURE 1B

25-18-00

FIG. 1B

PAGE 0 R

NOV 30/18

FIG. ITEM	PART NUMBER	1234567 	NOMENCLATURE	EFFECT FROM TO	UNITS PER ASSY	OBS
1B- 1	TF25-18-00-01B-001		CABIN - UPHOLSTERING		RF	
10	TB10 74004501		.L.H. SPAR		1	
20	TB10 74004502		.R.H. SPAR		1	
30	TB10 74004503		.L.H. REAR ARMREST		1	
40	TB10 74004504		.R.H. REAR ARMREST		1	
50	TB10 74057403		.L.H. DOOR ENTRY UPHOLSTERING S/N 589 - 599, 601 - 609		1	OR
- 50A	TB10 74057405		.L.H. DOOR ENTRY UPHOLSTERING S/N 588, 600, 610 - 764, 766 - 878		1	OR
60	TB10 74057404		.R.H. DOOR ENTRY UPHOLSTERING S/N 589 - 599, 601 - 609		1	OR
- 60A	TB10 74057406		.R.H. DOOR ENTRY UPHOLSTERING S/N 588, 600, 610 - 764, 766 - 878		1	OR
70	TB10 74058406		.L.H. UPHOLSTERING SUPPORT		1	
80	TB10 74058405		.R.H. UPHOLSTERING SUPPORT		1	
90	TB10 74003423		.L.H. FRONT CARPET		1	
100	TB10 74003424		.R.H. FRONT CARPET		1	
110	TB10 74003425		.TUNNEL UPHOLSTERY CARPET		2	
120	TB10 74003470		.REAR CARPET		2	
130	TB10 74003441		.L.H. REAR VERTICAL CARPET		1	
140	TB10 74003440		.R.H. REAR VERTICAL CARPET		1	
150	TB10 74003431		.CARGO COMPARTMENT CARPET S/N 588 - 764, 766 - 878 RPLD BY TB10 74004446		1	OR
-150A	TB10 74004446		.CARGO COMPARTMENT CARPET S/N 588 - 764, 766 - 878 RPLS TB10 74003431		1	OR
160	TB10 74004436		.CONSOLE L.H. UPHOLSTERING		1	
170	TB10 74004435		.CONSOLE R.H. UPHOLSTERING		1	
180	7156233044		.ASHTRAY VFO467 OPT TO 8230-44 SIMCA GRIS MADE BY VFO467 S/N 588, 600, 610 - 764, 766 - 878		2	OR
190	7736680425		ATTACHING PARTS .RECEPTACLE VFA870 OPT TO 425 MADE BY VFA870		20	
200	7130680424		.PLUG VFA870 OPT TO 424 MADE BY VFA870 * * *		20	

- ITEM NOT ILLUSTRATED

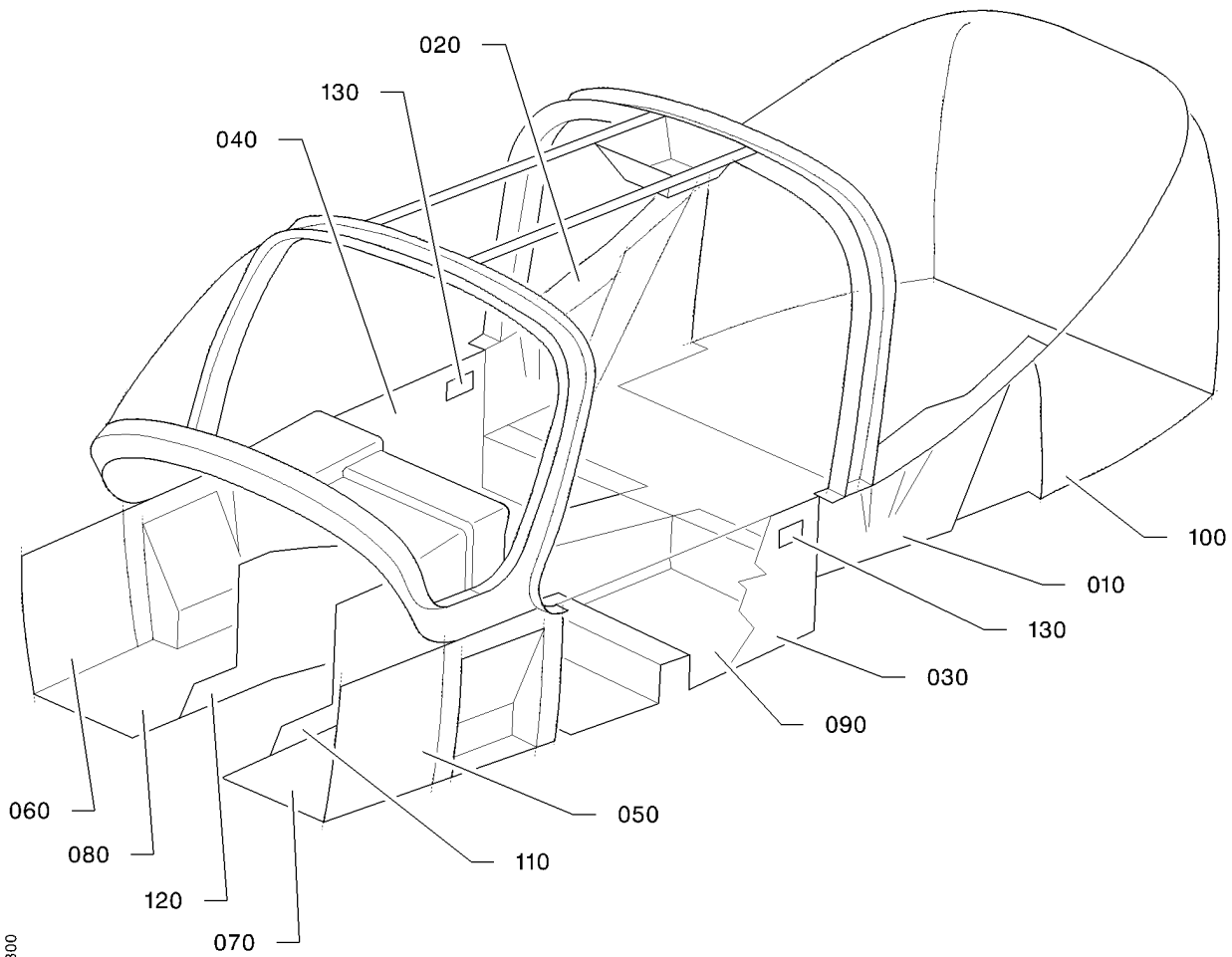
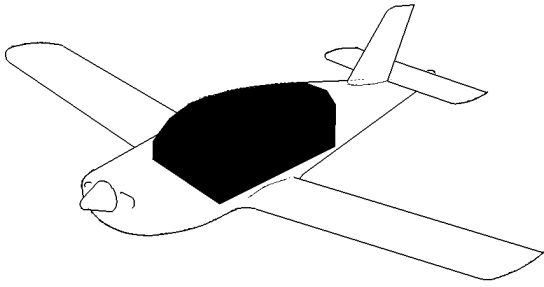
25-18-00

FIG. 1B

PAGE 1 R

NOV 30/18

S/N 588 - 764, 766 - 878



14251800AAACUZ4300

CABIN - BLUE UPHOLSTERING
FIGURE 1C

25-18-00

FIG. 1C

PAGE 0 R

NOV 30/18

FIG.ITEM	PART NUMBER	NOMENCLATURE	EFFECT FROM TO	UNITS PER ASSY	OBS
1C- 1	TL25-18-00-01C-001	CABIN - BLUE UPHOLSTERING		RF	
10	TB10 74004803	.L.H. REAR ARMREST		1	
20	TB10 74004804	.R.H. REAR ARMREST		1	
30	TB10 74057126	.L.H. DOOR ENTRY UPHOLSTERING RPLD BY TB10 74057134		1	OR
- 30A	TB10 74057134	.L.H. DOOR ENTRY UPHOLSTERING RPLS TB10 74057126		1	
40	TB10 74057127	.R.H. DOOR ENTRY UPHOLSTERING RPLD BY TB10 74057135		1	OR
- 40A	TB10 74057135	.R.H. DOOR ENTRY UPHOLSTERING RPLS TB10 74057127		1	
50	TB10 74058122	.L.H. UPHOLSTERING SUPPORT S/N 765, 879 - 986 RPLD BY TB10 74058010		1	OR
- 50A	TB10 74058010	.L.H. UPHOLSTERING SUPPORT RPLS TB10 74058122		1	
60	TB10 74058124	.R.H. UPHOLSTERING SUPPORT S/N 765, 879 - 986 RPLD BY TB10 74058007		1	OR
- 60A	TB10 74058007	.R.H. UPHOLSTERING SUPPORT RPLS TB10 74058124		1	
70	TB10 74048823	.L.H. FRONT CARPET		1	
80	TB10 74048824	.R.H. FRONT CARPET		1	
90	TB10 74048870	.REAR CARPET S/N 765, 879 - 1879		2	
- 90A	TB10 7404880900	.L.H. REAR CARPET S/N 1880 - 9999		1	
- 95	TB10 7404881000	.R.H. REAR CARPET S/N 1880 - 9999		1	
100	TB10 74003431	.CARGO COMPARTMENT CARPET S/N 765, 879 - 947 RPLD BY TB10 74004446		1	OR
-100A	TB10 74004446	.CARGO COMPARTMENT CARPET S/N 948 - 1701, 1707 - 1763, 1767 - 1770, 1786 - 1807, WITHOUT JE2 ELT RPLS TB10 74003431		1	OR
-100B	TB10 74004447	.CARGO COMPARTMENT CARPET S/N 948 - 1701, 1707 - 1763, 1767 - 1770, 1786 - 1807, WITH JE2 ELT		1	
-100C	TB10 74048448	.CARGO COMPARTMENT CARPET S/N 1702 - 1706, 1764 - 1766, 1771 - 1785, 1808 - 9999		1	
110	TB09 74110710	.CONSOLE L.H. UPHOLSTERING		1	OR
120	TB09 74110711	.CONSOLE R.H. UPHOLSTERING		1	OR
130	TB10 74057131	.BLANKING PLATE		2	

- ITEM NOT ILLUSTRATED

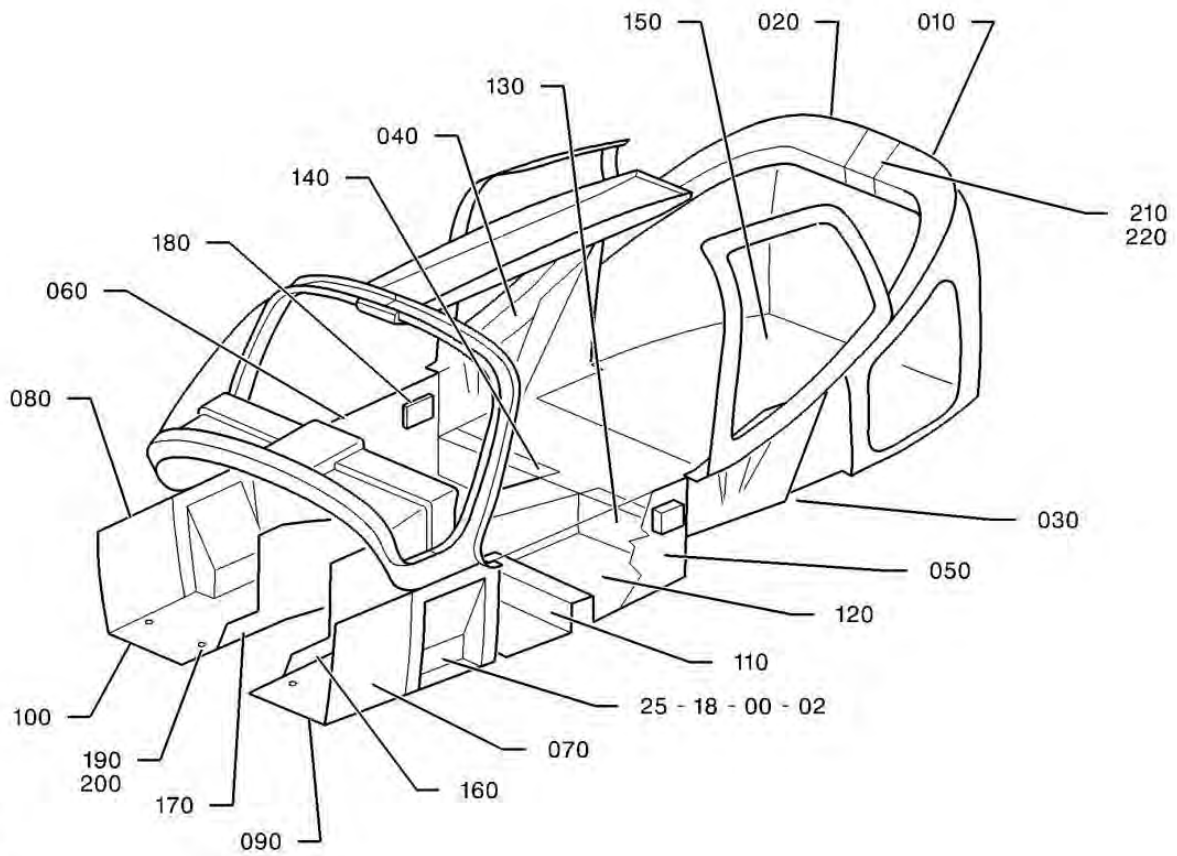
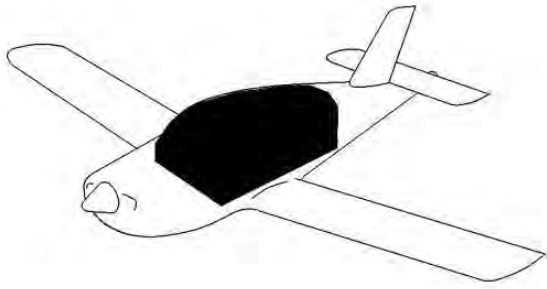
25-18-00

FIG. 1C

PAGE 1

NOV 30/18

S/N 765, 879 - 9999, PRE-MOD. 151, BLUE



14251600AAAUYZ14401

CABIN - "BLUE ALCANTARA" UPHOLSTERING
FIGURE 1F

25-18-00

FIG. 1F

PAGE 0 R

NOV 30/18

FIG.ITEM	PART NUMBER	1234567 	NOMENCLATURE	EFFECT FROM TO	UNITS PER ASSY	OBS
1F- 1	TF25-18-00-01F-001		CABIN - "BLUE ALCANTARA" UPHOLSTERING		RF	
10	TB10 74004801		.L.H. SPAR		1	
20	TB10 74004802		.R.H. SPAR		1	
30	TB10 7422200130		.L.H. REAR ARMREST		1	
40	TB10 7422200230		.R.H. REAR ARMREST		1	
50	TB10 74057808		.L.H. DOOR ENTRY UPHOLSTERING		1	
60	TB10 74057809		.R.H. DOOR ENTRY UPHOLSTERING		1	
70	TB10 74058809		.L.H. UPHOLSTERING SUPPORT		1	
80	TB10 74058808		.R.H. UPHOLSTERING SUPPORT		1	
90	TB10 74048823		.L.H. FRONT CARPET		1	
100	TB10 74048824		.R.H. FRONT CARPET		1	
110	TB10 74048825		.TUNNEL UPHOLSTERY CARPET		2	
120	TB10 7404880900		.L.H. REAR CARPET		1	
-125	TB10 7404881000		.R.H. REAR CARPET		1	
130	TB10 74048841		.L.H. REAR VERTICAL CARPET		1	
140	TB10 74048840		.R.H. REAR VERTICAL CARPET		1	
150	TB10 74048448		.CARGO COMPARTMENT CARPET		1	
160	TB10 74048836		.CONSOLE L.H. UPHOLSTERING		1	
170	TB10 74048835		.CONSOLE R.H. UPHOLSTERING		1	
180	7156233044		.ASHTRAY OPT TO 8230-44 SIMCA GRIS MADE BY VF0467 ATTACHING PARTS		2	OR R
190	7736680425		.RECEPTACLE OPT TO 425 MADE BY VFA870		20	R
200	7130680424		.PLUG OPT TO 424 MADE BY VFA870 * * *		20	R
210	TB09 7490010030		.SHIM		1	R
220	TB09 74900800		.SHIM UPHOLSTERING		1	

- ITEM NOT ILLUSTRATED

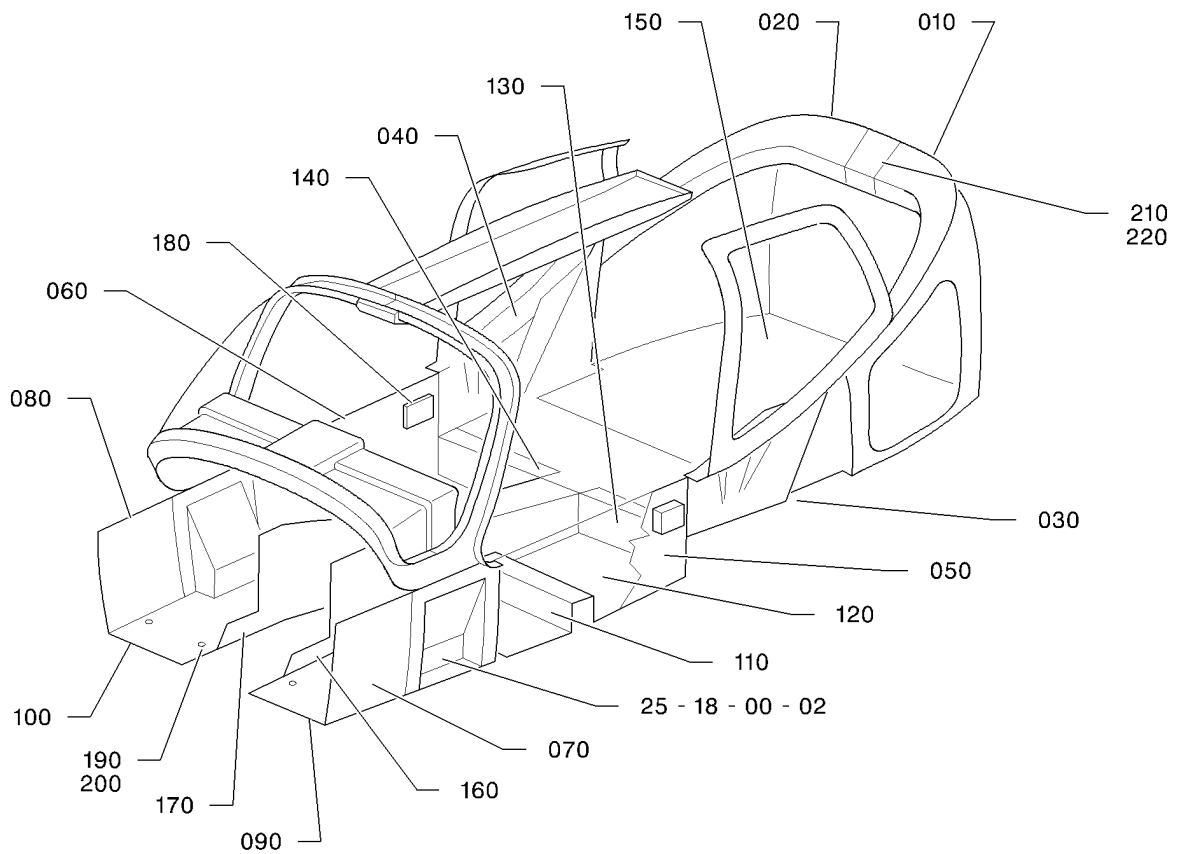
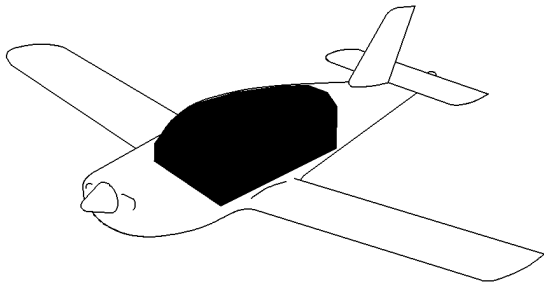
25-18-00

FIG. 1F

PAGE 1

NOV 30/18

S/N 1 - 9999 POST-MOD. 151, "BLUE ALCANTARA"



I4251600AAUYZ14401

CABIN - "FICELLE ALCANTARA" UPHOLSTERING
FIGURE 1G

25-18-00

FIG. 1G

PAGE 0 R

NOV 30/18

FIG.ITEM	PART NUMBER	1234567 	NOMENCLATURE	EFFECT FROM TO	UNITS PER ASSY	OBS
1G- 1	TF25-18-00-01G-001		CABIN - "FICELLE ALCANTARA" UPHOLSTERING		RF	
10	TB10 74004901		.L.H. SPAR		1	
20	TB10 74004902		.R.H. SPAR		1	
30	TB10 7422200120		.L.H. REAR ARMREST		1	
40	TB10 7422200220		.R.H. REAR ARMREST		1	
50	TB10 74057908		.L.H. DOOR ENTRY UPHOLSTERING		1	
60	TB10 74057909		.R.H. DOOR ENTRY UPHOLSTERING		1	
70	TB10 74058909		.L.H. UPHOLSTERING SUPPORT		1	
80	TB10 74058908		.R.H. UPHOLSTERING SUPPORT		1	
90	TB10 74048923		.L.H. FRONT CARPET		1	
100	TB10 74048924		.R.H. FRONT CARPET		1	
110	TB10 74048925		.TUNNEL UPHOLSTERY CARPET		2	
120	TB10 7404890900		.L.H. REAR CARPET		1	
-125	TB10 7404891000		.R.H. REAR CARPET		1	
130	TB10 74048941		.L.H. REAR VERTICAL CARPET		1	
140	TB10 74048940		.R.H. REAR VERTICAL CARPET		1	
150	TB10 74048448		.CARGO COMPARTMENT CARPET		1	
160	TB10 74048936		.CONSOLE L.H. UPHOLSTERING		1	
170	TB10 74048935		.CONSOLE R.H. UPHOLSTERING		1	
180	7156233044		.ASHTRAY OPT TO 8230-44 SIMCA GRIS MADE BY VF0467 ATTACHING PARTS		2	OR R
190	7083745172		.RECEPTACLE		20	
200	7130680424		.PLUG OPT TO 424 MADE BY VFA870 * * *		20	R
210	TB09 7490010020		.SHIM		1	R
220	TB09 74900900		.SHIM UPHOLSTERING		1	

- ITEM NOT ILLUSTRATED

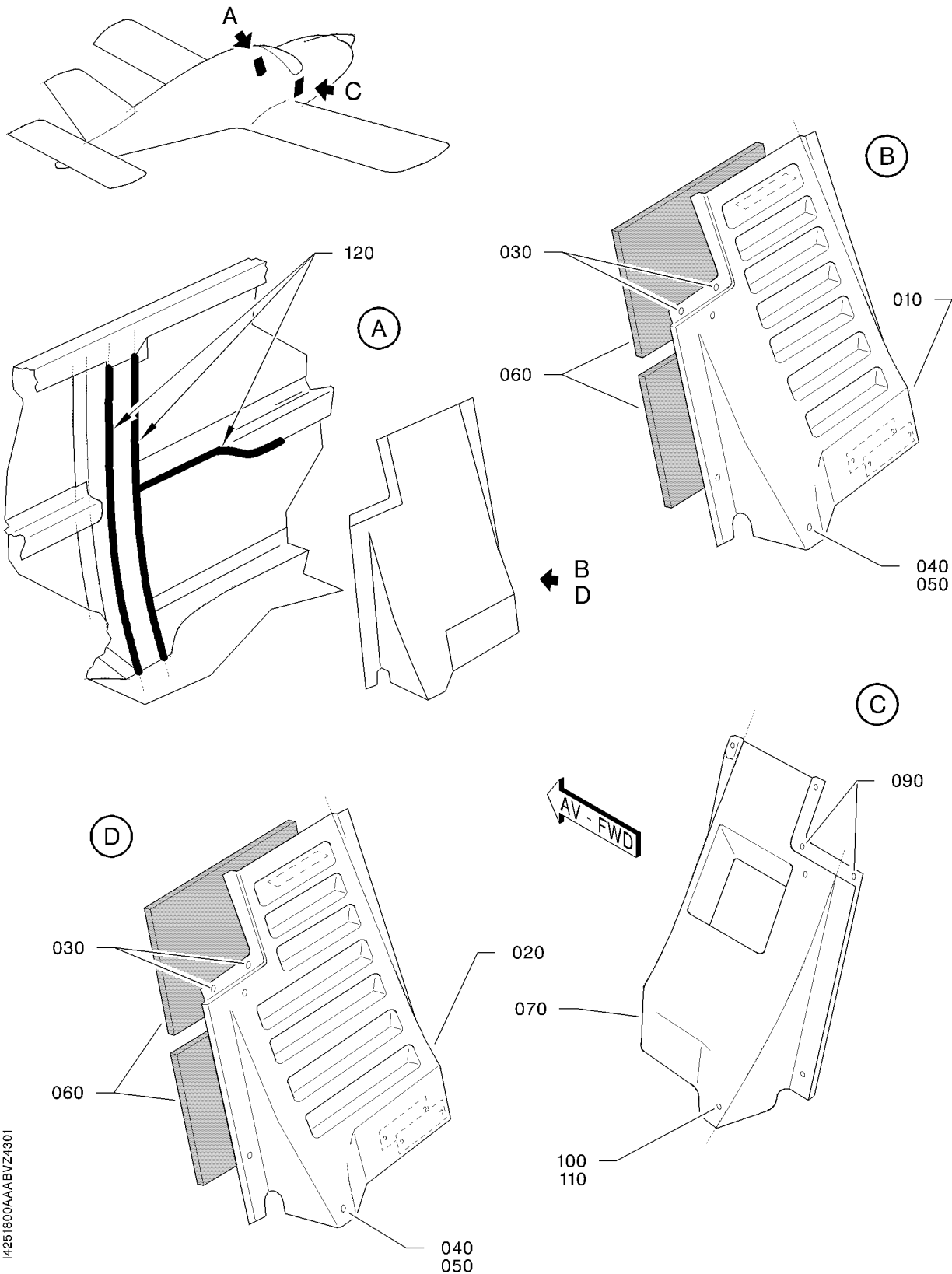
25-18-00

FIG. 1G

PAGE 1

NOV 30/18

S/N 1 - 9999 POST-MOD. 151, "FICELLE ALCANTARA"



M251800AAA BVZ4301

CABIN - GREY UPHOLSTERING
FIGURE 2

25-18-00

FIG. 2

PAGE 0 R

NOV 30/18

FIG.ITEM	PART NUMBER	1234567 	NOMENCLATURE	EFFECT FROM TO	UNITS PER ASSY	OBS
2 - 1	TF25-18-00-02-001		CABIN - GREY UPHOLSTERING		RF	
10	TB10 61031210		.CIRCUIT BREAKER PANEL ASSY S/N 1 - 44, 46 - 48, 52, 53, BLUE RPLD BY TB10 61037210		1	OR
- 10A	TB10 61031310		.CIRCUIT BREAKER PANEL ASSY S/N 1 - 44, 46 - 48, 52, 53, BROWN RPLD BY TB10 61037310		1	OR
20	TB10 61037210		.CIRCUIT BREAKER PANEL ASSY BLUE RPLS TB10 61031210 RPLD BY TB20 61037912		1	OR
- 20A	TB10 61037310		.CIRCUIT BREAKER PANEL ASSY BROWN RPLS TB10 61031310 RPLD BY TB20 61037913		1	OR
- 20B	TB20 61037912		.CIRCUIT BREAKER PANEL ASSY BLUE RPLS TB10 61037210 RPLD BY TB10 61029912		1	OR
- 20C	TB20 61037913		.CIRCUIT BREAKER PANEL ASSY BROWN RPLS TB10 61037310 RPLD BY TB20 61029913		1	OR
- 20D	TB10 61029912		.CIRCUIT BREAKER PANEL ASSY S/N 1 - 587 BLUE RPLS TB20 61037912		1	OR
- 20E	TB10 61029913		.CIRCUIT BREAKER PANEL ASSY S/N 1 - 587 BROWN RPLS TB20 61037913		1	OR
- 20F	TB10 61029914		.CIRCUIT BREAKER PANEL ASSY S/N 589 - 599, 601 - 609		1	OR
30	7009680373		.CLIP VFA870 OPT TO 373 MADE BY VFA870 ATTACHING PARTS		2	OR
40	7907680679		.SCREW OPT TO 679 NOIRE MADE BY VFA870		3	R
50	7743700204		.CUP WASHER * * *		3	
60	TB10 61038100		.PROTECTION PLATE S/N 1 - 25, 27 - 33, POST-SB 10-001-39 ; S/N 26, 34 - 587, 589 - 599, 601 - 609 RPLD BY TB10 61038101		2	OR

- ITEM NOT ILLUSTRATED

25-18-00

FIG. 2

PAGE 1

NOV 30/18

S/N 1 - 587, 589 - 599, 601 - 609

FIG. ITEM	PART NUMBER	1234567 	NOMENCLATURE	EFFECT FROM TO	UNITS PER ASSY	OBS
2 - 60A	TB10 61038101		.PROTECTION PLATE S/N 1 - 25, 27 - 33, POST-SB 10-001-39 ; S/N 26, 34 - 587, 589 - 599, 601 - 609 RPLS TB10 61038100		2	
70	TB10 74056210		.MAP BOX BLUE RPLD BY TB20 74015210		1	OR
- 70A	TB10 74056310		.MAP BOX BROWN RPLD BY TB20 74015310		1	OR
- 70B	TB20 74015210		.MAP BOX S/N 1 - 587 BLUE RPLS TB10 74056210		1	OR
- 70C	TB20 74015310		.MAP BOX S/N 1 - 587 BROWN RPLS TB10 74056310		1	OR
- 70D	TB20 74015410		.MAP BOX S/N 589 - 599, 601 - 609		1	OR
90	7009680373		.CLIP VFA870 OPT TO 373 MADE BY VFA870 ATTACHING PARTS		2	OR
100	7907680679		.SCREW OPT TO 679 NOIRE MADE BY VFA870		3	R
110	7743700204		.CUP WASHER * * *		3	
120	4247754001		.PROTECTION EDGING OPT TO 461-0044 MADE BY VD8905 S/N 1 - 25, 27 - 33, POST-SB 10-001-39 ; S/N 26, 34 - 587, 589 - 599, 601 - 609		AR	R

- ITEM NOT ILLUSTRATED

25-18-00

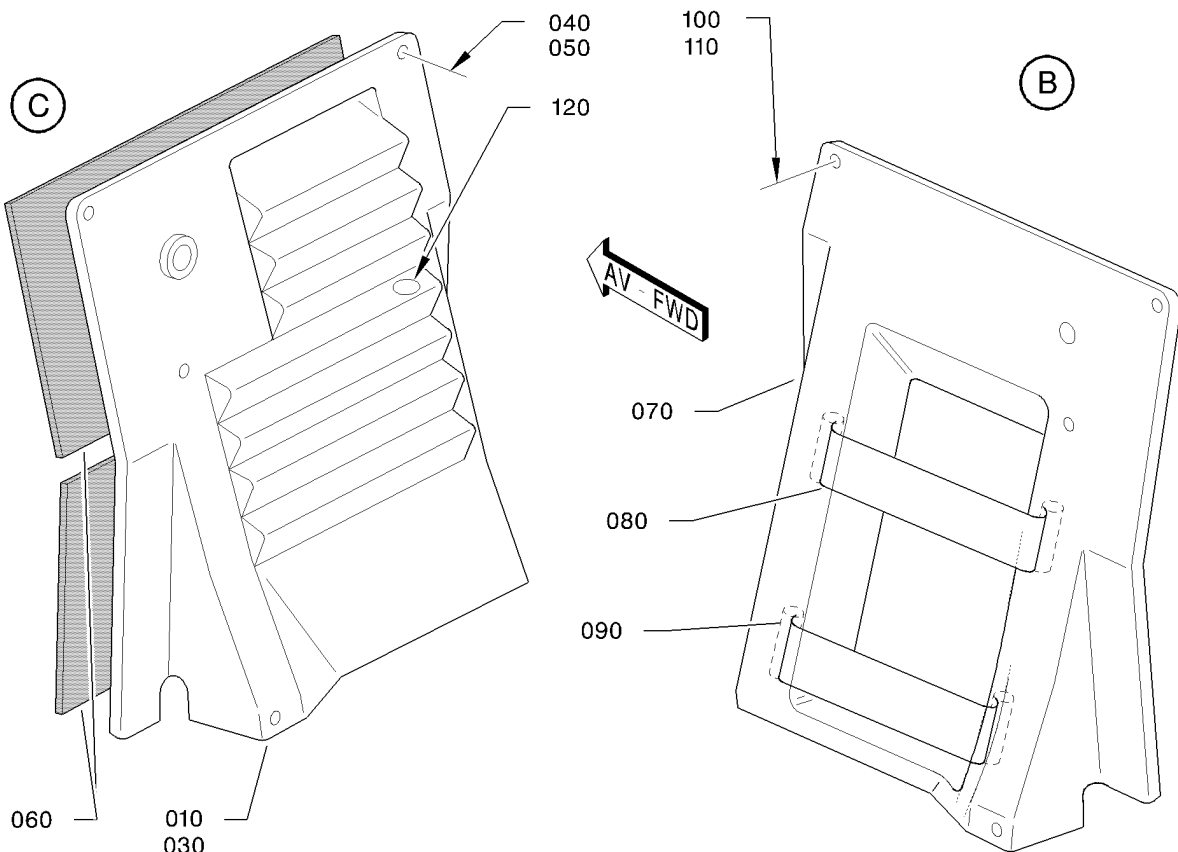
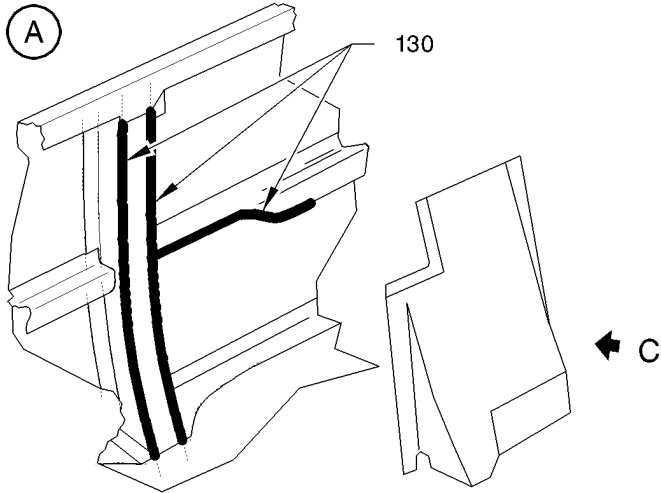
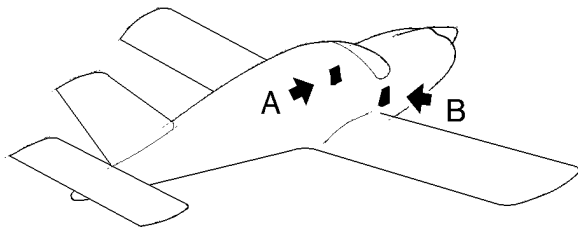
FIG. 2

PAGE 2

NOV 30/18

S/N 1 - 587, 589 - 599, 601 - 609

PAGE INTENTIONALLY BLANK



14251800AAAAYZ4303

CABIN - GREY UPHOLSTERING
FIGURE 2A

25-18-00

FIG. 2A

PAGE 0 R

NOV 30/18

FIG.ITEM	PART NUMBER	NOMENCLATURE	EFFECT FROM TO	UNITS PER ASSY	OBS
		1234567 			
2A- 1	TF25-18-00-02A-001	CABIN - GREY UPHOLSTERING		RF	
10	TB10 61029003	.CIRCUIT BREAKER PANEL ASSY S/N 588, 600, 610 - 822, 850 - 887, 889 - 947		1	OR
- 10A	TB09 6121200000	.CIRCUIT BREAKER PANEL ASSY S/N 823 - 849, 888, 948 - 9999, NOT VALID FOR ENGLISH-SPEAKING COUNTRIES		1	
- 10B	TB10 61212001	.CIRCUIT BREAKER PANEL ASSY S/N 823 - 849, 888, 948 - 9999, ENGLISH-SPEAKING COUNTRIES		1	
30	TB20 61037124	..CIRCUIT BREAKER PANEL S/N 588, 600, 610 - 822, 850 - 887, 889 - 947 SUPSD BY TB20 61212400		1	NP R
- 30A	TB20 61212400	..CIRCUIT BREAKER PANEL SUPSDS TB20 61037124 SUPSD BY TB20 61212420		1	NP R
- 30B	TB20 61212420	..CIRCUIT BREAKER PANEL SUPSDS TB20 61212400 RPLD BY TB20 61212421		1	OR R
- 30C	TB20 61212421	..CIRCUIT BREAKER PANEL RPLS TB20 61212420 ATTACHING PARTS		1	
40	7907680679	..SCREW OPT TO 679 NOIRE MADE BY VFA870		3	R
50	7743700204	..CUP WASHER * * *		3	
60	TB10 61038100	.PROTECTION PLATE S/N 588, 600, 610 - 1766 RPLD BY TB10 61038101		2	OR
- 60A	TB10 61038101	.PROTECTION PLATE RPLS TB10 61038100		2	
70	TB20 74017400	.MAP BOX SUPSD BY TB20 74017002		1	NP R
- 70A	TB20 74017002	.MAP BOX ASSY SUPSDS TB20 74017400 RPLD BY TB20 7401700300		1	OR R
- 70B	TB20 7401700300	.MAP BOX ASSY RPLS TB20 74017002		1	
80	4740400150	..SANDOW FOR MAP BOX TB20 74017400		2	OR R
- 80A	7815110040	..SANDOW FOR MAP BOX TB20 74017002		2	OR R
90	7018110500	..SANDOW HOOK FOR MAP BOX TB20 74017400		4	OR R

- ITEM NOT ILLUSTRATED

25-18-00

FIG. 2A

PAGE 1

NOV 30/18

S/N 588, 600, 610 - 9999

FIG.ITEM	PART NUMBER	NOMENCLATURE	EFFECT FROM TO	UNITS PER ASSY	OBS
		1234567 			
2A- 90A	7018110501	..SANDOW HOOK FOR MAP BOX TB20 74017002 ATTACHING PARTS		4	OR R
100	7907680679	..SCREW OPT TO 679 NOIRE MADE BY VFA870		3	R
110	7743700204	..CUP WASHER * * *		3	
120	7130112250	.CAP		AR	
130	4247754001	.PROTECTION EDGING OPT TO 461-0044 MADE BY VD8905		AR	R

- ITEM NOT ILLUSTRATED

25-18-00

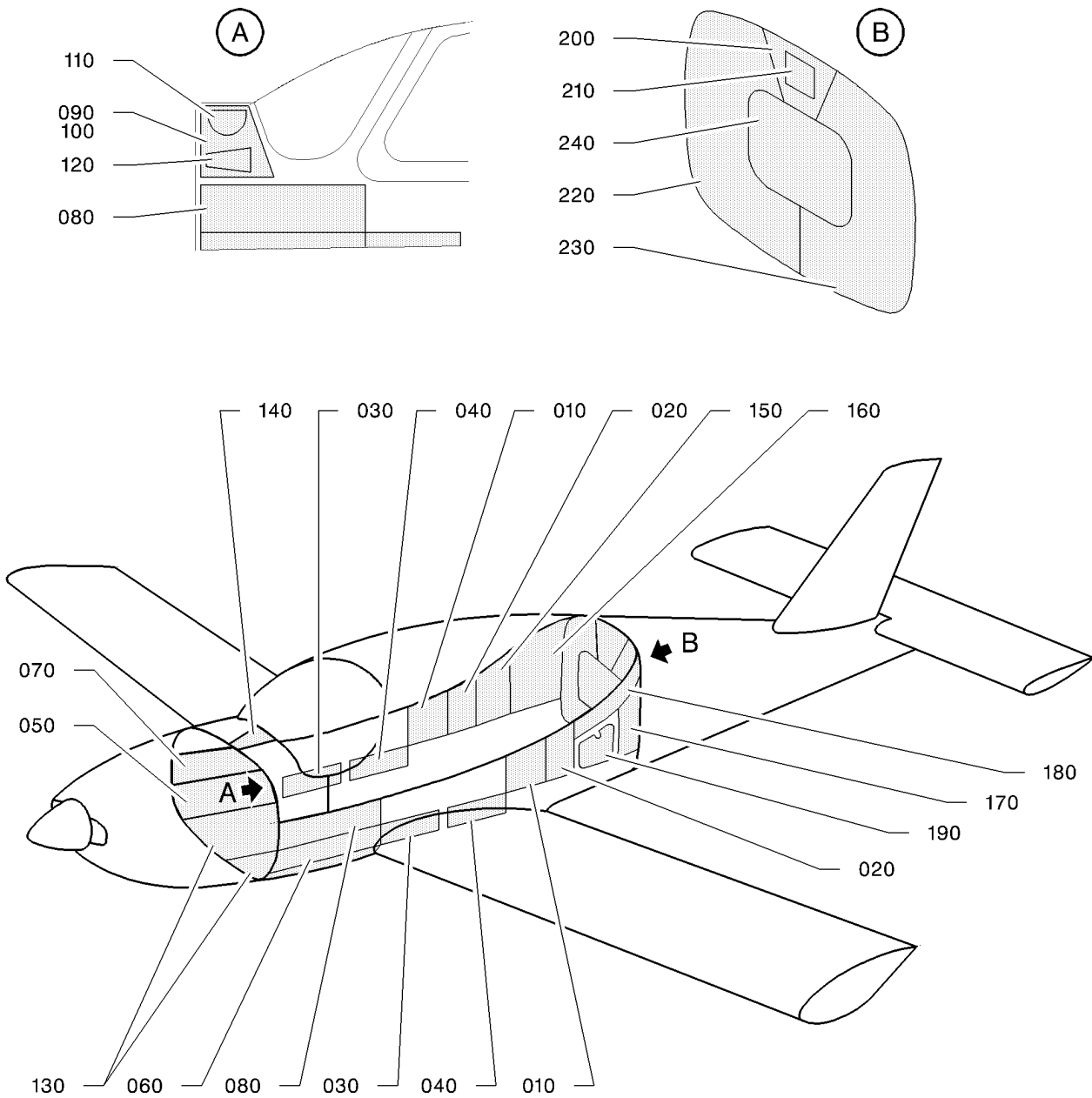
FIG. 2A

PAGE 2

NOV 30/18

S/N 588, 600, 610 - 9999

PAGE INTENTIONALLY BLANK



14251900AAAAA YZ4300

SOUND-PROOFING - CABIN
FIGURE 1

25-19-00

FIG. 1
PAGE 0 R
NOV 30/18

FIG.ITEM	PART NUMBER	NOMENCLATURE		EFFECT FROM TO	UNITS PER ASSY	OBS
		1234567 				
1 - 1	TF25-19-00-01-001		SOUND-PROOFING - CABIN		RF	
10	TB10 71000105		.HULL INSULATING BLANKET RPLD BY TB10 7100011200 (QTY 3)		2	OR R
- 10A	TB10 7100011200		.HULL INSULATING BLANKET RPLS TB10 71000105		6	
20	TB10 71000106		.HULL INSULATING BLANKET RPLD BY TB10 7100011300 (QTY 3)		2	OR R
- 20A	TB10 7100011300		.HULL INSULATING BLANKET RPLS TB10 71000106		6	
30	TB10 71000107		.HULL INSULATING BLANKET RPLD BY TB10 7100011400 (QTY 3)		2	OR R
- 30A	TB10 7100011400		.HULL INSULATING BLANKET RPLS TB10 71000107		6	
40	TB10 71000108		.HULL INSULATING BLANKET RPLD BY TB10 7100011500 (QTY 3)		2	OR R
- 40A	TB10 7100011500		.HULL INSULATING BLANKET RPLS TB10 71000108		6	
50	TB10 71000109		.HULL INSULATING BLANKET - R.H. SIDE RPLD BY TB10 7100011600 (QTY 3)		1	OR R
- 50A	TB10 7100011600		.HULL INSULATING BLANKET - R.H. SIDE RPLS TB10 71000109		3	
60	TB10 71000111		.HULL INSULATING BLANKET - L.H. SIDE RPLD BY TB10 7100011900 (QTY 3)		1	OR R
- 60A	TB10 7100011900		.HULL INSULATING BLANKET - L.H. SIDE RPLS TB10 71000111		3	
70	TB10 71000123		.HULL INSULATING BLANKET - R.H. SIDE RPLD BY TB10 7100012100 (QTY 3)		1	OR R
- 70A	TB10 7100012100		.HULL INSULATING BLANKET - R.H. SIDE RPLS TB10 71000123		3	
80	TB10 71000124		.HULL INSULATING BLANKET - L.H. SIDE RPLD BY TB10 7100012200 (QTY 3)		1	OR R
- 80A	TB10 7100012200		.L.H. HULL SOUND-PROOFING RPLS TB10 71000124		3	
90	TB20 71010175		.UPPER DUCT INSULATING BLANKET - FRONT L.H. SIDE		1	
100	TB20 71010176		.UPPER DUCT INSULATING BLANKET - FRONT R.H. SIDE		1	
110	TB20 71010179		.UPPER DUCT DOOR INSULATING BLANKET		2	

- ITEM NOT ILLUSTRATED

25-19-00

FIG. 1

PAGE 1

NOV 30/18

S/N 1 - 764, 766 - 878

FIG. ITEM	PART NUMBER	NOMENCLATURE	EFFECT FROM TO	UNITS PER ASSY	OBS
1 120		.NACA AIR INTAKE INSULATING BLANKET		2	
130		.FRONT COWLING UNDER HULL INSULATING BLANKET		AR	
140	TB20 71010210	.FRONT CENTER UPPER PLATE INSULATING BLANKET		1	
150	TB20 73015123	.BAGGAGE COMPARTMENT INSULATING BLANKET - FRONT R.H. SIDE		1	R
160	TB20 73015124	.BAGGAGE COMPARTMENT INSULATING BLANKET - REAR R.H. SIDE		1	R
170	TB20 73015128	.BAGGAGE COMPARTMENT INSULATING BLANKET - LOWER L.H. SIDE		1	R
180	TB20 73015129	.BAGGAGE COMPARTMENT INSULATING BLANKET - UPPER L.H. SIDE		1	R
190	TB20 73015120	.BAGGAGE COMPARTMENT DOOR INSULATING BLANKET		1	
200	TB20 73015118	.FRAME C6 UPPER BULKHEAD INSULATING BLANKET		1	
210	TB20 73015117	.FRAME C6 UPPER BULKHEAD INSULATING BLANKET		1	
220	TB20 73015119	.FRAME C6 R.H. BULKHEAD INSULATING BLANKET		1	
230	TB20 73015121	.FRAME C6 L.H. BULKHEAD INSULATING BLANKET		1	
240	TB20 73015127	.FRAME C6 DOOR PANEL INSULATING BLANKET		1	NP
-240A	TB20 73015163	RPLD BY TB20 73015163 .FRAME C6 DOOR PANEL INSULATING BLANKET RPLS TB20 73015127		1	

- ITEM NOT ILLUSTRATED

25-19-00

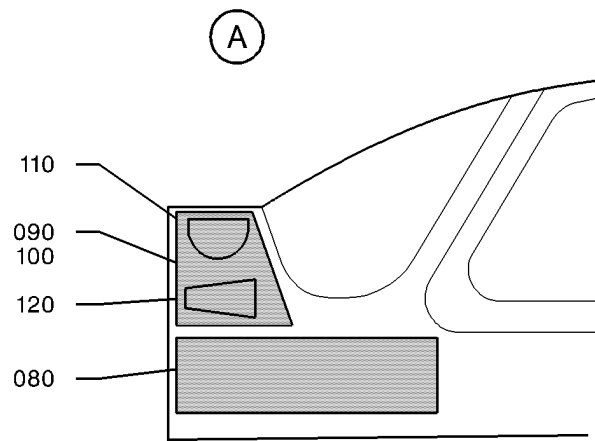
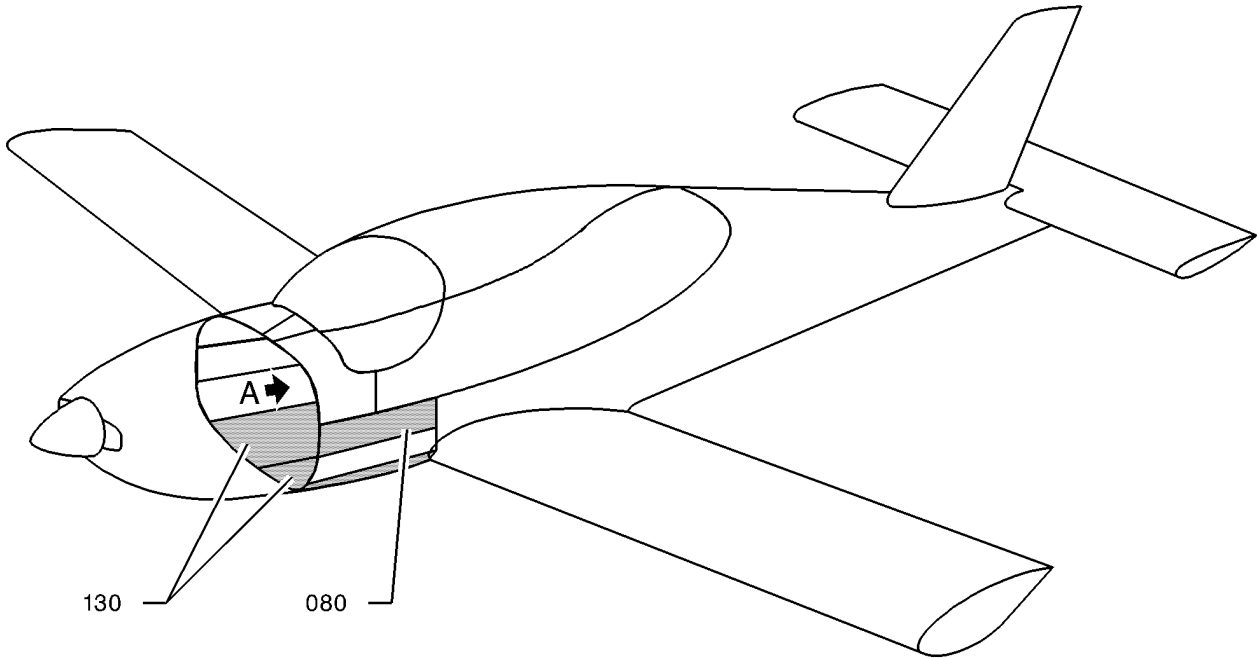
FIG. 1

PAGE 2

NOV 30/18

S/N 1 - 764, 766 - 878

PAGE INTENTIONALLY BLANK



14251900AAADUZ4301

SOUND-PROOFING - CABIN
FIGURE 1A

25-19-00

FIG. 1A

PAGE 0 R

NOV 30/18

FIG.ITEM	PART NUMBER	NOMENCLATURE		EFFECT FROM TO	UNITS PER ASSY	OBS
		1	2			
1A- 1	TF25-19-00-01A-001	SOUND-PROOFING - CABIN			RF	
80	TB10 71000124	.HULL INSULATING BLANKET - L.H. SIDE RPLD BY TB10 7100012200			1	OR
90	TB20 71010175	.UPPER DUCT INSULATING BLANKET - FRONT L.H. SIDE			1	
100	TB20 71010176	.UPPER DUCT INSULATING BLANKET - FRONT R.H. SIDE			1	
110	TB20 71010179	.UPPER DUCT DOOR INSULATING BLANKET			2	
120		.NACA AIR INTAKE INSULATING BLANKET			2	
130		.FRONT COWLING UNDER HULL INSULATING BLANKET			AR	
150	TB20 73015123	.DELETED				R
160	TB20 73015124	.DELETED				R
170	TB20 73015128	.DELETED				R
180	TB20 73015129	.DELETED				R
190	TB20 73015120	.DELETED				R
200	TB20 73015118	.DELETED				R
210	TB20 73015117	.DELETED				R
220	TB20 73015119	.DELETED				R
230	TB20 73015121	.DELETED				R
240	TB20 73015127	.DELETED				R
240A	TB20 73015163	.DELETED				R

- ITEM NOT ILLUSTRATED

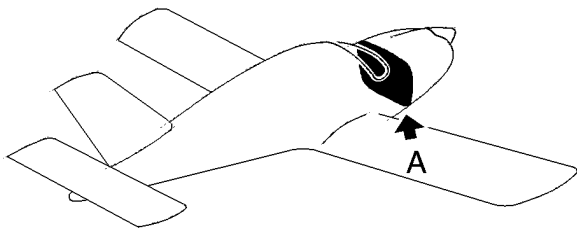
25-19-00

FIG. 1A

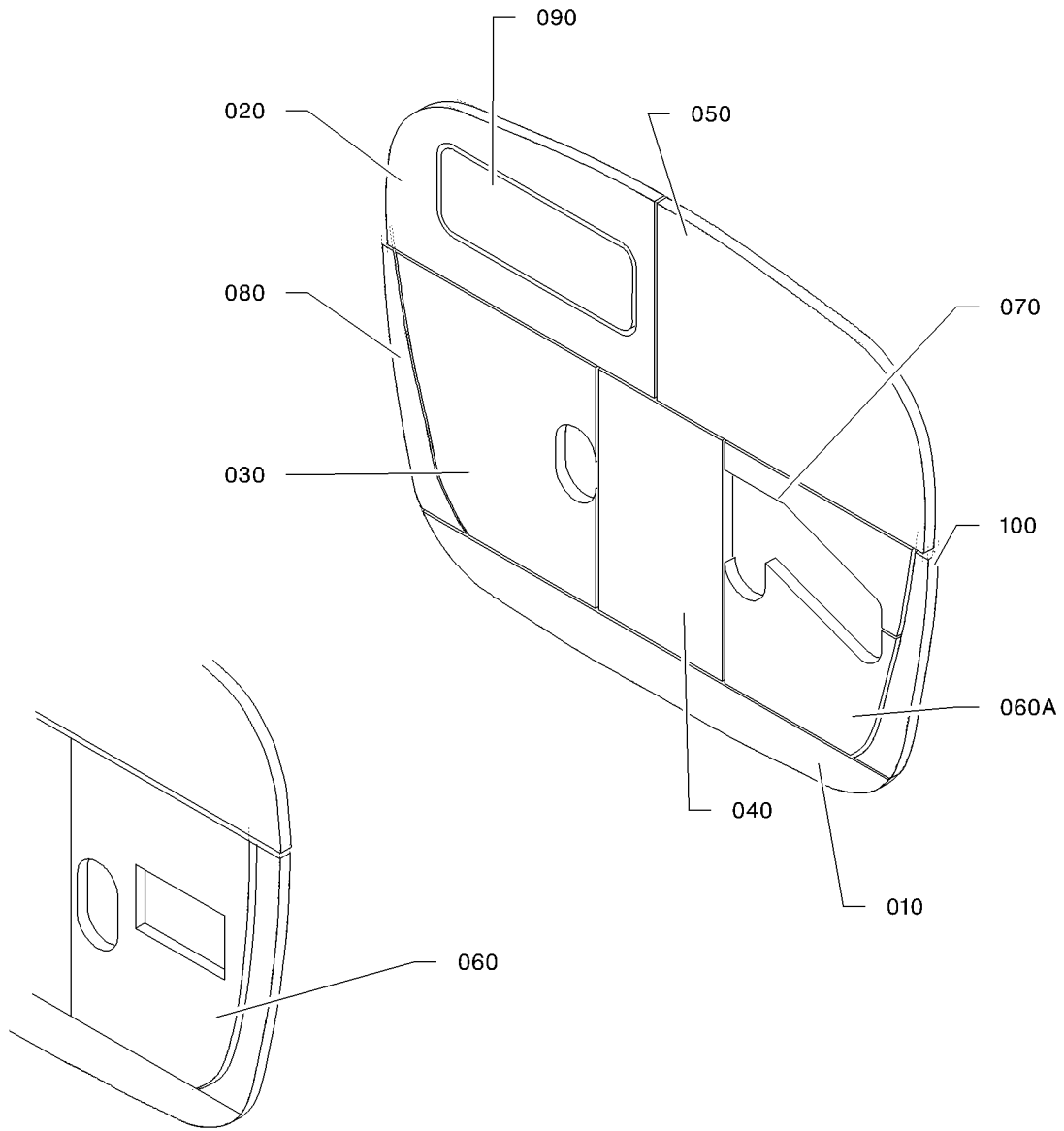
PAGE 1

NOV 30/18

S/N 765, 879 - 9999



(A)



I4251900AAACVZ4301

SOUND-PROOFING - FIREWALL
FIGURE 2

25-19-00

FIG. 2
PAGE 0 R
NOV 30/18

FIG.ITEM	PART NUMBER	1234567 	NOMENCLATURE	EFFECT FROM TO	UNITS PER ASSY	OBS
2 - 1	TF25-19-00-02-001		SOUND-PROOFING - FIREWALL		RF	
10	TB10 71001133		.HULL INSULATING BLANKET		1	
20	TB10 71001125		.FIREWALL INSULATING BLANKET		1	
30	TB10 71001126		.FIREWALL INSULATING BLANKET		1	
40	TB10 71001128		.FIREWALL INSULATING BLANKET		1	
50	TB10 71001127		.FIREWALL INSULATING BLANKET		1	
60	4604840013		.INSULATING BLANKET S/N 1 - 584 SPECIFY DIMENSIONS ON ORDER		AR	OR
60A	TB10 71001112		.FIREWALL INSULATING BLANKET S/N 585 - 9999		1	
70	TB10 71001113		.FIREWALL INSULATING BLANKET S/N 585 - 9999		1	
80	TB10 71001132		.HULL INSULATING BLANKET		1	
90	TB10 71001130		.DOOR INSULATING BLANKET		1	OR
100	TB10 71001134		.HULL INSULATING BLANKET		1	

- ITEM NOT ILLUSTRATED

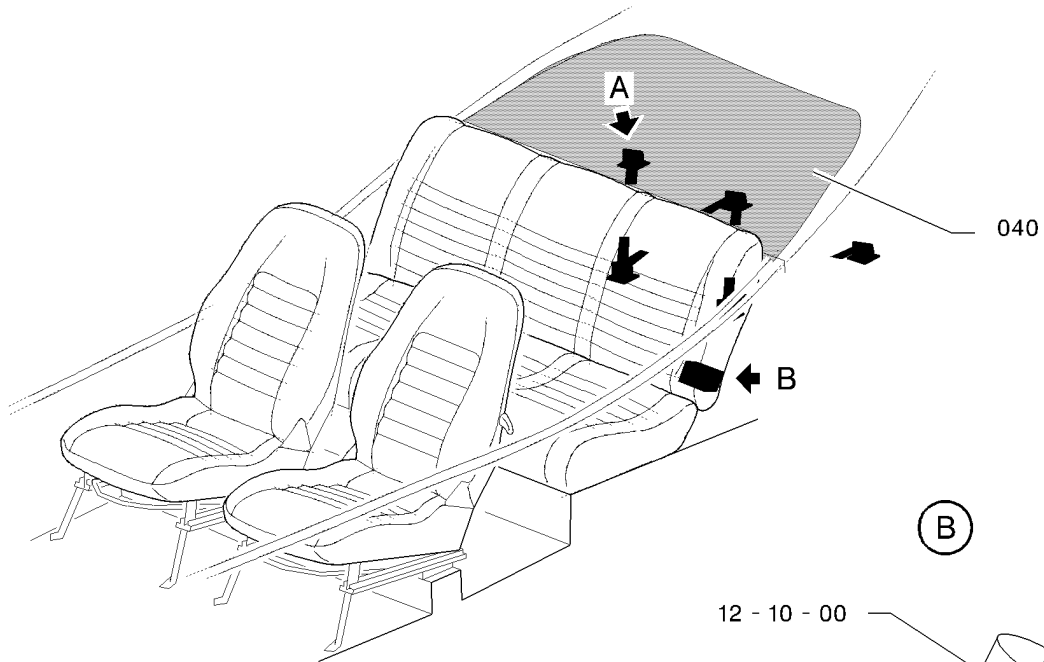
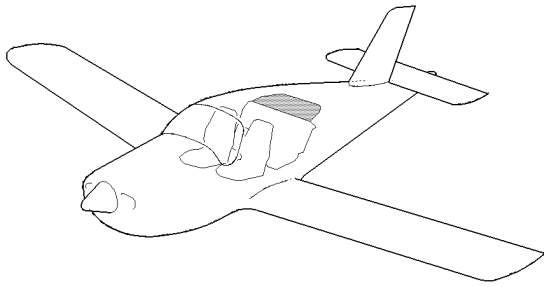
25-19-00

FIG. 2

PAGE 1

NOV 30/18

S/N 1 - 9999



(B)

12-10-00

AV - FWD

(A)

020

030

010

090

080

070

060

14255000AAAAYZ4302

BAGGAGE COMPARTMENT
FIGURE 1

25-50-00

FIG. 1
PAGE 0 R
NOV 30/18

FIG.ITEM	PART NUMBER	1234567 	NOMENCLATURE	EFFECT FROM TO	UNITS PER ASSY	OBS
1 - 1	TF25-50-00-01-001		BAGGAGE COMPARTMENT		RF	
10	TB10 79026100		.ATTACHMENT LUG		6	OR
20	TB10 79024101		.CARGO TIE-DOWN STRAP		2	
30	7673115700		.LOOP		6	
40	TB10 79027001		.BAGGAGE COMPARTMENT NET RPLD BY TB10 79027002		1	OR
- 40A	TB10 79027002		.BAGGAGE COMPARTMENT CLOTH S/N 1 - 905, 907 - 929 RPLS TB10 79027001		1	OR
- 40B	TB10 79027803		.BAGGAGE COMPARTMENT CLOTH S/N 906, 930 - 1675, "BLUE ALCANTARA"		1	R
- 40C	TB10 79027903		.BAGGAGE COMPARTMENT CLOTH S/N 906, 930 - 1675, "FICELLE ALCANTARA"		1	R
- 40D	TB10 79027804		.BAGGAGE COMPARTMENT CLOTH S/N 1676 - 9999 BLUE MODEL 95		1	
- 40E	TB10 79027904		.BAGGAGE COMPARTMENT CLOTH S/N 1676 - 9999 "FICELLE" MODEL 95		1	R
60	TB10 97004100		.OIL CAN SUPPORT S/N 588 - 9999		1	
70	5169911078		ATTACHING PARTS .SCREW S/N 588 - 9999		2	
80	5706039160		.WASHER OPT TO NFL23116AD040L MADE BY VF0111 S/N 588 - 9999		4	R
90	5401458159		.NUT OPT TO E25412B40QQVAL MADE BY VF0110 S/N 588 - 9999 SUPSD BY 5414468159		2	R
- 90A	5414468159		.NUT OPT TO 4PH135M MADE BY VF0224 S/N 588 - 9999 SUPSDS 5401458159 * * *		2	R

- ITEM NOT ILLUSTRATED

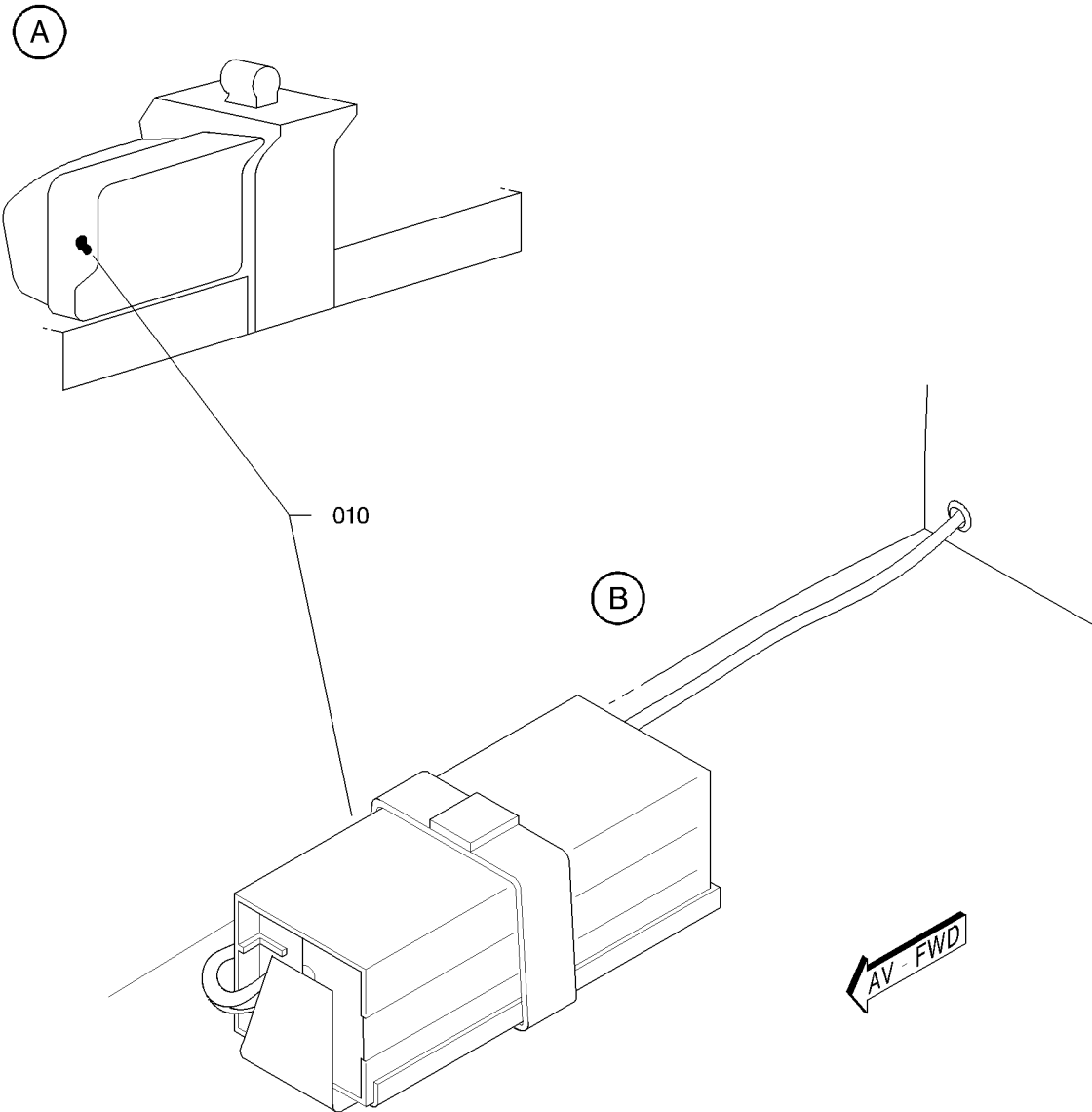
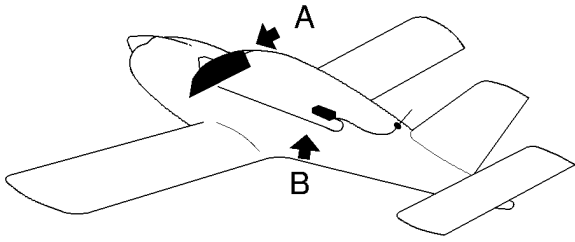
25-50-00

FIG. 1

PAGE 1

NOV 30/18

S/N 1 - 9999



I4256000AAAAYZ4301

EMERGENCY EQUIPMENT
FIGURE 1

OPTION

25-60-00

FIG. 1
PAGE 0 R
NOV 30/18

FIG.ITEM	PART NUMBER	NOMENCLATURE	EFFECT FROM TO	UNITS PER ASSY	OBS
1 - 1 10	TB25-60-00-01-001 OPTION	<div style="text-align: center;"> 1234567 </div> EMERGENCY EQUIPMENT .EMERGENCY LOCATOR TRANSMITTER		RF 1	

- ITEM NOT ILLUSTRATED

25-60-00

FIG. 1

PAGE 1 R

NOV 30/18

OPTION

PAGE INTENTIONALLY BLANK