

**26**

**FIRE  
PROTECTION**



CHAPTER 26  
FIRE PROTECTION  
LIST OF EFFECTIVE PAGES

CH-SECT				CH-SECT			
	UNIT-FIG	PAGE	DATE		UNIT-FIG	PAGE	DATE
LEP		1 *	NOV 30/18				
LEP		2 *	NOV 30/18				
TOC		1 *	NOV 30/18				
26-00-00	1	0 *	NOV 30/18				
26-00-00	1	1 *	NOV 30/18				
26-00-00	2	0 *	NOV 30/18				
26-00-00	2	1 *	NOV 30/18				
26-00-00	2	2 *	NOV 30/18				

\* THE ASTERISK INDICATES PAGES CHANGED, ADDED OR DELETED

**26 - LIST OF EFFECTIVE PAGES**

PAGE INTENTIONALLY BLANK

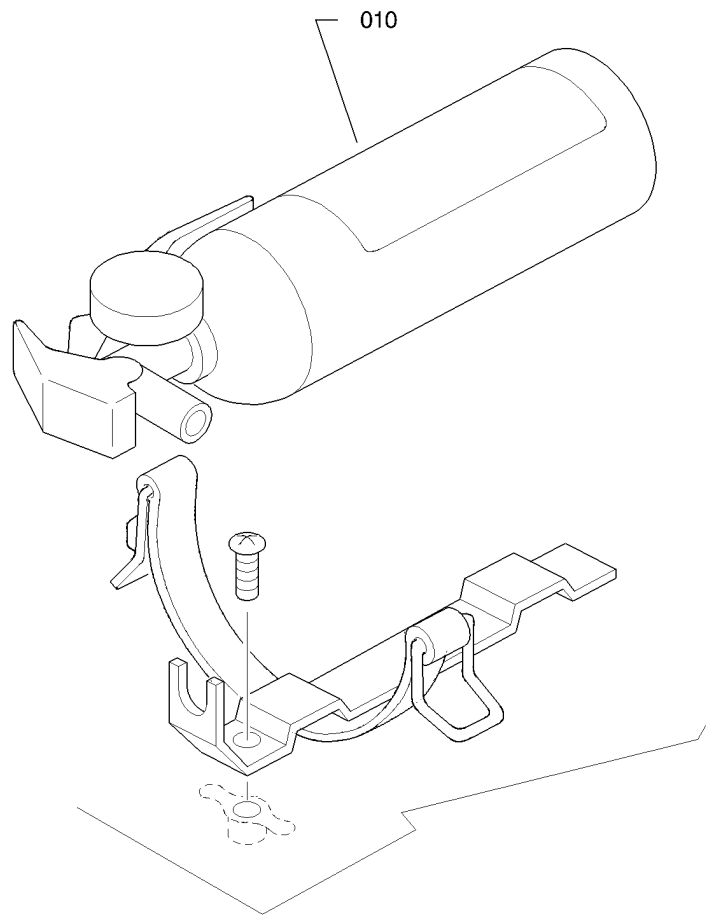
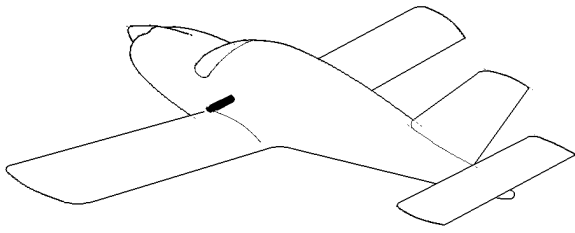
**26 - LIST OF EFFECTIVE PAGES**

PAGE 2

NOV 30/18

CHAPTER 26  
 FIRE PROTECTION  
 TABLE OF CONTENTS

SUBJECT	CHAPTER SECTION SUBJECT	FIG.	VALIDITY
FIRE PROTECTION	26-00		
FIRE PROTECTION	26-00-00	1	OPTION
FIRE PROTECTION	26-00-00	2	OPTION



14262000AAAAWZ4300

FIRE PROTECTION  
FIGURE 1

OPTION

**26-00-00**

FIG. 1

PAGE 0 R

NOV 30/18

FIG.ITEM	PART NUMBER	NOMENCLATURE	EFFECT FROM TO	UNITS PER ASSY	OBS
1 - 1 10	TB26-00-00-01-001 26-00-OPT	<div style="text-align: center;">                     1234567  </div> FIRE PROTECTION .EXTINGUISHER		RF 1	

- ITEM NOT ILLUSTRATED

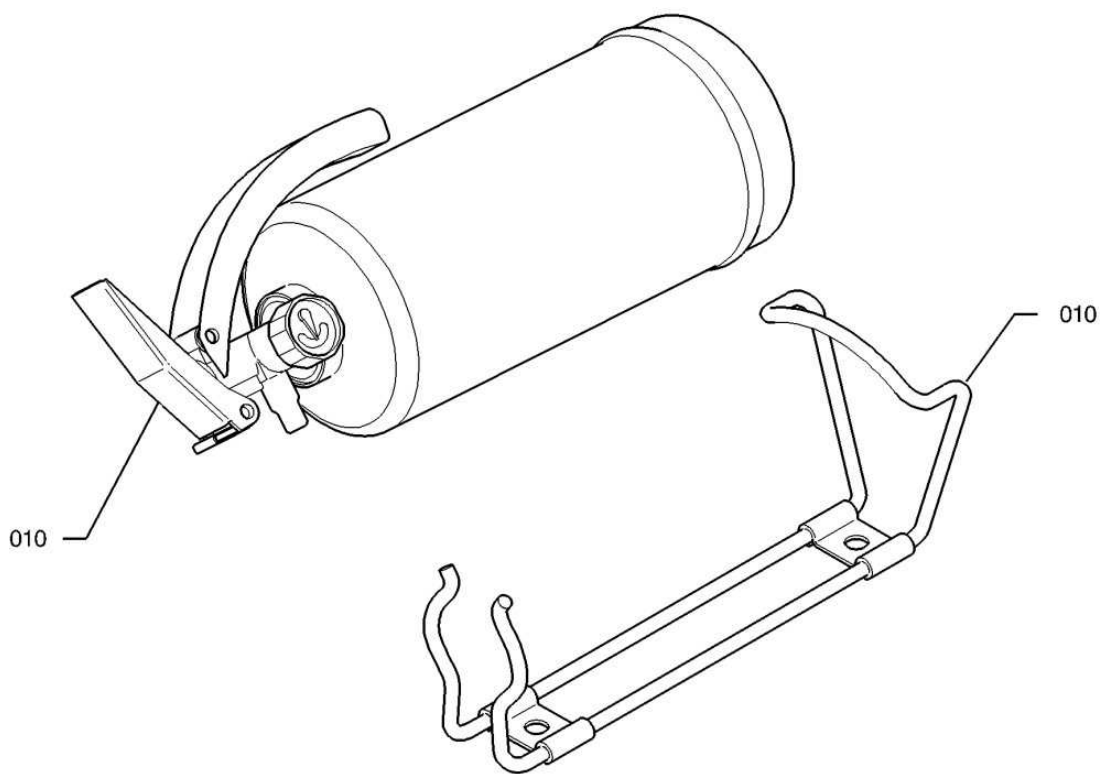
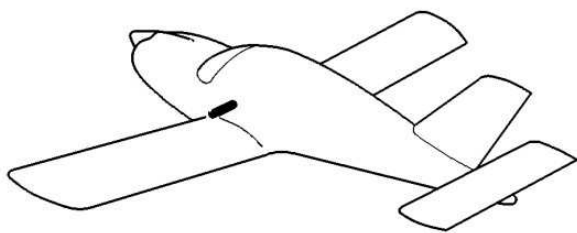
OPTION

**26-00-00**

FIG. 1

PAGE 1 R

NOV 30/18



14262002AAA BWZ24500

FIRE PROTECTION  
FIGURE 2

OPTION

**26-00-00**

FIG. 2  
PAGE 0 R  
NOV 30/18

FIG.ITEM	PART NUMBER	NOMENCLATURE	EFFECT FROM TO	UNITS PER ASSY	OBS
2 - 1 10	TB26-00-00-02-001 26-00-OPT	<div style="text-align: center;">                     1234567  </div> FIRE PROTECTION .EXTINGUISHER		RF RF	R R

- ITEM NOT ILLUSTRATED

**26-00-00**

FIG. 2

PAGE 1

NOV 30/18

OPTION

PAGE INTENTIONALLY BLANK