

30

**ICE AND RAIN
PROTECTION**

CHAPTER 30
ICE AND RAIN PROTECTION
LIST OF EFFECTIVE PAGES

CH-SECT				CH-SECT			
	UNIT-FIG	PAGE	DATE		UNIT-FIG	PAGE	DATE
LEP		1 *	NOV 30/18				
LEP		2 *	NOV 30/18				
TOC		1 *	NOV 30/18				
TOC		2 *	NOV 30/18				
TOC		3 *	NOV 30/18				
30-00-00	1	0 *	NOV 30/18				
30-00-00	1	1 *	NOV 30/18				
30-30-00	1	0 *	NOV 30/18				
30-30-00	1	1 *	NOV 30/18				
30-30-00	1	2 *	NOV 30/18				

* THE ASTERISK INDICATES PAGES CHANGED, ADDED OR DELETED

30 - LIST OF EFFECTIVE PAGES

PAGE INTENTIONALLY BLANK

30 - LIST OF EFFECTIVE PAGES

PAGE 2

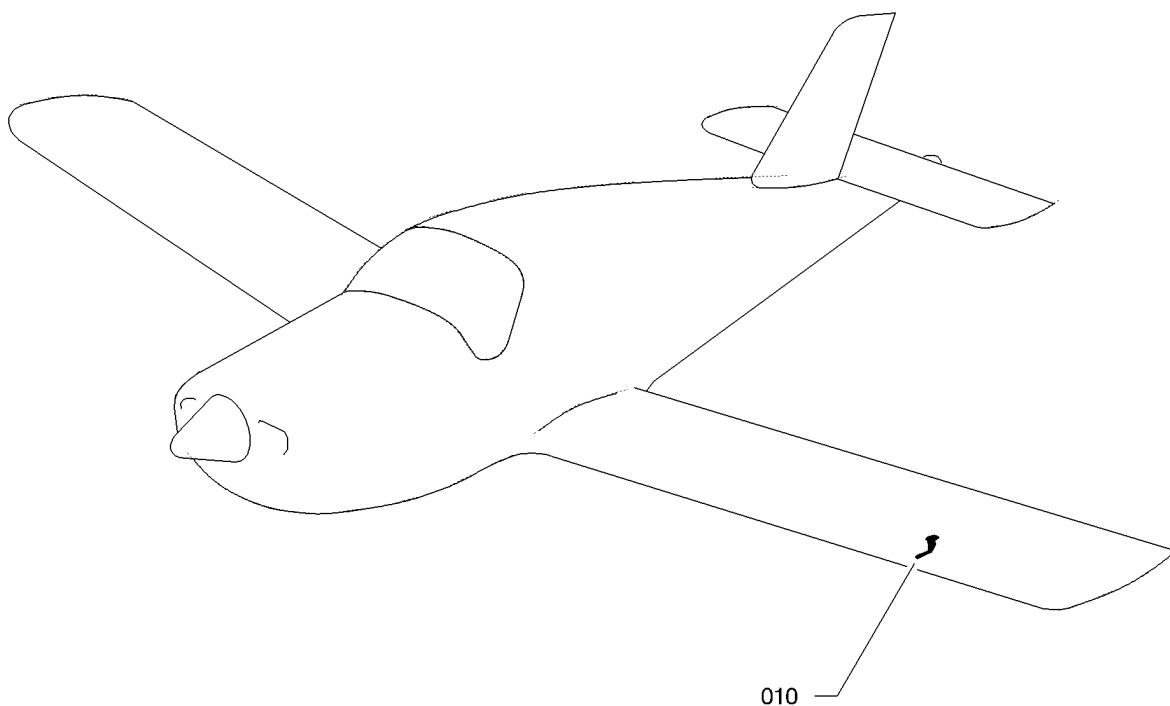
NOV 30/18

CHAPTER 30
 ICE AND RAIN PROTECTION
 TABLE OF CONTENTS

SUBJECT	CHAPTER SECTION FIG. SUBJECT	VALIDITY
ICE AND RAIN PROTECTION	30-00	
ICE AND RAIN PROTECTION	30-00-00 1	OPTION

SUBJECT	CHAPTER SECTION FIG. SUBJECT	VALIDITY
AIRSPPEED INDICATING SYSTEM DEICING	30-30	
AIRSPPEED INDICATING SYSTEM DEICING	30-30-00 1	OPTION

PAGE INTENTIONALLY BLANK



I4300000AAACUJ4300

ICE AND RAIN PROTECTION
FIGURE 1

OPTION

30-00-00

FIG. 1
PAGE 0 R
NOV 30/18

FIG.ITEM	PART NUMBER	NOMENCLATURE	EFFECT FROM TO	UNITS PER ASSY	OBS
1 - 1 10	TF30-00-00-01-001 TB30-30-00-01	1234567 ICE AND RAIN PROTECTION .AIRSPEED INDICATING SYSTEM DEICING		RF 1	

- ITEM NOT ILLUSTRATED

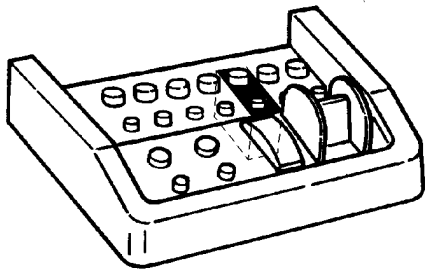
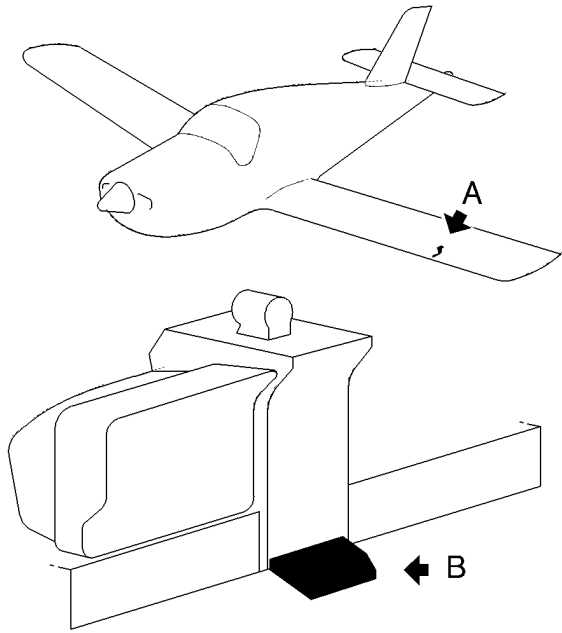
30-00-00

FIG. 1

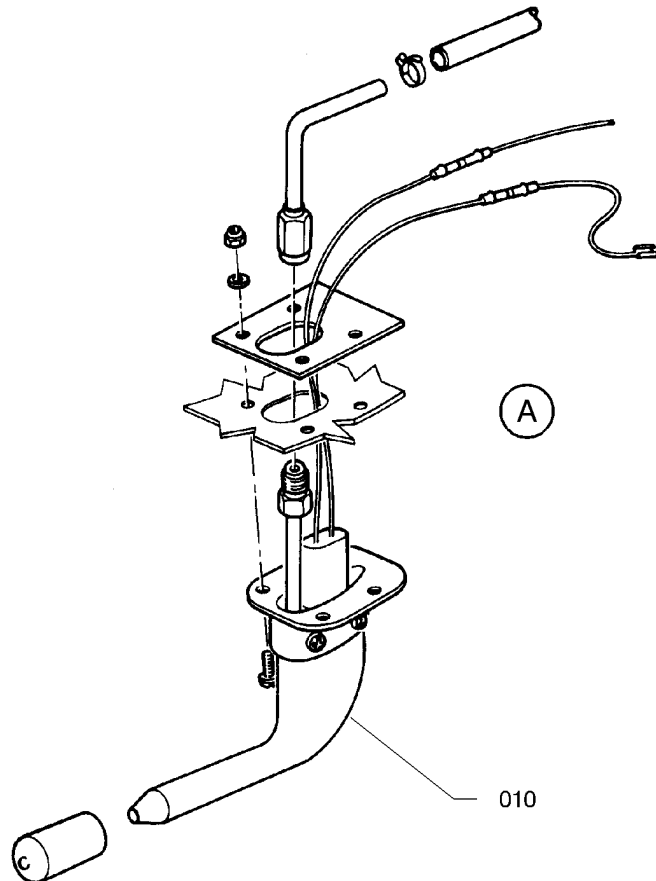
PAGE 1 R

NOV 30/18

OPTION



(B)



(A)

010

(C)

AIRSPEED INDICATING SYSTEM DEICING
FIGURE 1

30-30-00

FIG. 1

PAGE 0 R

NOV 30/18

FIG.ITEM	PART NUMBER	NOMENCLATURE	EFFECT FROM TO	UNITS PER ASSY	OBS
1 - 1 10	TB30-30-00-01-001 34-11-OPT-03	<div style="text-align: center;"> 1234567 </div> AIRSPEED INDICATING SYSTEM DEICING .AIRSPEED INDICATING SYSTEM		RF 1	R

- ITEM NOT ILLUSTRATED

30-30-00

FIG. 1

PAGE 1

NOV 30/18

OPTION

PAGE INTENTIONALLY BLANK