

31

**INDICATING/
RECORDING
SYSTEMS**

CHAPTER 31
INDICATING / RECORDING SYSTEMS
LIST OF EFFECTIVE PAGES

CH-SECT	UNIT-FIG	PAGE	DATE	CH-SECT	UNIT-FIG	PAGE	DATE
LEP		1 *	NOV 30/18	31-10-03	1D	0 *	NOV 30/18
LEP		2 *	NOV 30/18	31-10-03	1D	1 *	NOV 30/18
TOC		1 *	NOV 30/18	31-10-03	1E	0 *	NOV 30/18
TOC		2 *	NOV 30/18	31-10-03	1E	1 *	NOV 30/18
TOC		3 *	NOV 30/18	31-10-03	1E	2 *	NOV 30/18
TOC		4 *	NOV 30/18	31-10-03	1E	3 *	NOV 30/18
TOC		5 *	NOV 30/18	31-20-00	1	0 *	NOV 30/18
31-00-00	1	0 *	NOV 30/18	31-20-00	1	1 *	NOV 30/18
31-00-00	1	1 *	NOV 30/18	31-50-00	1	0 *	NOV 30/18
31-10-00	1	0 *	NOV 30/18	31-50-00	1	1 *	NOV 30/18
31-10-00	1	1 *	NOV 30/18	31-50-01	1	0 *	NOV 30/18
31-10-01	1	0 *	NOV 30/18	31-50-01	1	1 *	NOV 30/18
31-10-01	1	1 *	NOV 30/18	31-50-01	1	2 *	NOV 30/18
31-10-01	1	2 *	NOV 30/18	31-50-01	1	3 *	NOV 30/18
31-10-01	1	3 *	NOV 30/18	31-50-01	1A	0 *	NOV 30/18
31-10-01	1A	0 *	NOV 30/18	31-50-01	1A	1 *	NOV 30/18
31-10-01	1A	1 *	NOV 30/18	31-50-01	1A	2 *	NOV 30/18
31-10-01	1B	0 *	NOV 30/18	31-50-01	1A	3 *	NOV 30/18
31-10-01	1B	1 *	NOV 30/18	31-50-01	1B	0 *	NOV 30/18
31-10-01	2	0 *	NOV 30/18	31-50-01	1B	1 *	NOV 30/18
31-10-01	2	1 *	NOV 30/18	31-50-01	1B	2 *	NOV 30/18
31-10-02	1	0 *	NOV 30/18	31-50-01	1B	3 *	NOV 30/18
31-10-02	1	1 *	NOV 30/18	31-50-01	1C	0 *	NOV 30/18
31-10-02	1A	0 *	NOV 30/18	31-50-01	1C	1 *	NOV 30/18
31-10-02	1A	1 *	NOV 30/18	31-50-01	1D	0 *	NOV 30/18
31-10-02	1A	2 *	NOV 30/18	31-50-01	1D	1 *	NOV 30/18
31-10-02	1A	3 *	NOV 30/18	31-50-01	1E	0 *	NOV 30/18
31-10-02	1B	0 *	NOV 30/18	31-50-01	1E	1 *	NOV 30/18
31-10-02	1B	1 *	NOV 30/18	31-50-01	1F	0 *	NOV 30/18
31-10-02	2	0 *	NOV 30/18	31-50-01	1F	1 *	NOV 30/18
31-10-02	2	1 *	NOV 30/18	31-50-02	1	0 *	NOV 30/18
31-10-02	2A	0 *	NOV 30/18	31-50-02	1	1 *	NOV 30/18
31-10-02	2A	1 *	NOV 30/18	31-50-02	1A	0 *	NOV 30/18
31-10-03	1	0 *	NOV 30/18	31-50-02	1A	1 *	NOV 30/18
31-10-03	1	1 *	NOV 30/18	31-50-02	1B	0 *	NOV 30/18
31-10-03	1A	0 *	NOV 30/18	31-50-02	1B	1 *	NOV 30/18
31-10-03	1A	1 *	NOV 30/18	31-50-02	1B	2 *	NOV 30/18
31-10-03	1B	0 *	NOV 30/18				
31-10-03	1B	1 *	NOV 30/18				
31-10-03	1C	0 *	NOV 30/18				
31-10-03	1C	1 *	NOV 30/18				

* THE ASTERISK INDICATES PAGES CHANGED, ADDED OR DELETED

31 - LIST OF EFFECTIVE PAGES

PAGE 1

PAGE INTENTIONALLY BLANK

31 - LIST OF EFFECTIVE PAGES

PAGE 2

NOV 30/18

CHAPTER 31
INDICATING / RECORDING SYSTEMS
TABLE OF CONTENTS

SUBJECT	CHAPTER SECTION FIG. SUBJECT	VALIDITY
INDICATING/RECORDING SYSTEMS	31-00	
INDICATING/RECORDING SYSTEMS	31-00-00 1	S/N 1 - 9999

SUBJECT	CHAPTER SECTION FIG. SUBJECT	VALIDITY
CONTROL AND INDICATING PANELS	31-10	
CONTROL AND INDICATING PANELS	31-10-00 1	S/N 1 - 9999
INSTRUMENT PANEL - L.H. PANEL STRIP	31-10-01 1	S/N 1 - 274
INSTRUMENT PANEL - L.H. PANEL STRIP	31-10-01 1A	S/N 275 - 587
INSTRUMENT PANEL - L.H. PANEL STRIP	31-10-01 1B	S/N 588 - 9999
INSTRUMENT PANEL - R.H. PANEL STRIP (SMALL)	31-10-01 2	S/N 275 - 764, 766 - 878 AND POST-MOD. 151 (S/N 1 - 274, 765, 879 - 9999 PRE-MOD. 151, SEE OPTION)
CENTRAL CONSOLE	31-10-02 1	S/N 1 - 274
CENTRAL CONSOLE	31-10-02 1A	S/N 275 - 9999 PRE-MOD. 170, NOT RAISED
CENTRAL CONSOLE	31-10-02 1B	POST-MOD. 170
CENTRAL CONSOLE EQUIPMENT	31-10-02 2	S/N 1 - 9999 POST-MOD. 151, PRE-MOD. 170
CENTRAL CONSOLE EQUIPMENT	31-10-02 2A	POST-MOD. 170
ENGINE INDICATING BOX	31-10-03 1	S/N 1 - 274 WITH FUEL TANKS 26.9 U.S. GAL (102 L)
ENGINE INDICATING BOX	31-10-03 1A	S/N 1 - 274 WITH FUEL TANKS 20.1 U.S. GAL (76 L)
ENGINE INDICATING BOX	31-10-03 1B	S/N 275 - 528, 530 - 560, WITH FUEL TANKS 26.9 U.S. GAL (102 L), WITHOUT KIT OPT10 911300
ENGINE INDICATING BOX	31-10-03 1C	S/N 275 - 528, 530 - 560, WITH FUEL TANKS 20.1 U.S. GAL (76 L), WITHOUT KIT OPT10 911200
ENGINE INDICATING BOX	31-10-03 1D	S/N 529, 561 - 764, 766 - 822, 850 - 878, WITH FUEL TANKS 26.9 U.S. GAL (102 L), WITH KIT OPT10 911300
ENGINE INDICATING BOX	31-10-03 1E	S/N 529, 561 - 9999, WITH FUEL TANKS 20.1 U.S. GAL (76 L), WITH KIT OPT10 911200

31 - TABLE OF CONTENTS

PAGE 2

SUBJECT	CHAPTER SECTION FIG. SUBJECT	VALIDITY
INDEPENDENT INSTRUMENTS	31-20	
INDEPENDENT INSTRUMENTS	31-20-00 1	OPTION

SUBJECT	CHAPTER SECTION FIG. SUBJECT	VALIDITY
CENTRAL WARNING SYSTEMS	31-50	
CENTRAL WARNING SYSTEMS	31-50-00 1	S/N 1 - 9999
VISUAL ALARM PANEL	31-50-01 1	S/N 1 - 587
VISUAL ALARM PANEL	31-50-01 1A	S/N 588 - 822, 850 - 887, 889 - 947
VISUAL ALARM PANEL	31-50-01 1B	S/N 823 - 849, 888, 948 - 9999, PRE-MOD. 151
VISUAL ALARM PANEL	31-50-01 1C	S/N 1 - 9999 POST-MOD. 151
VISUAL ALARM PANEL	31-50-01 1D	POST-MOD. 151 EXCEPT U.K. WITH GPS KING AND KFC 225
VISUAL ALARM PANEL	31-50-01 1E	POST-MOD. 151 U.K. WITH GPS KING AND KFC 225
VISUAL ALARM PANEL	31-50-01 1F	POST-MOD. 151 WITH GNS GARMIN
BUZZER	31-50-02 1	S/N 1 - 764, 766 - 822
BUZZER	31-50-02 1A	S/N 823 - 878
BUZZER	31-50-02 1B	S/N 765, 879 - 9999

PAGE INTENTIONALLY BLANK

FIG.ITEM	PART NUMBER	NOMENCLATURE		EFFECT FROM TO	UNITS PER ASSY	OBS
		1234567 				
1 - 1	TF31-00-00-01-001		INDICATING/RECORDING SYSTEMS		RF	
10	TB31-10-00-01		.CONTROL AND INDICATING PANELS		1	
20	TB31-20-00-01		.INDEPENDENT INSTRUMENTS		1	
30	TB31-50-00-01		.CENTRAL WARNING SYSTEMS		1	

- ITEM NOT ILLUSTRATED

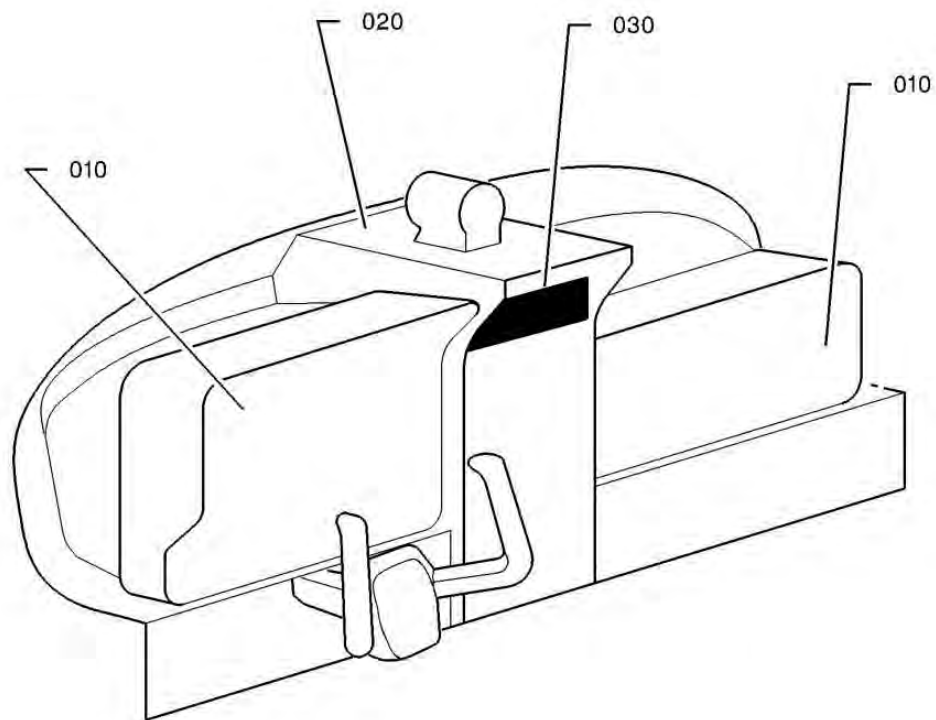
31-00-00

FIG. 1

PAGE 1 R

NOV 30/18

S/N 1 - 9999



14310000AAAAYZ4501

CONTROL AND INDICATING PANELS
FIGURE 1

31-10-00

FIG. 1

PAGE 0 R

NOV 30/18

FIG.ITEM	PART NUMBER	NOMENCLATURE		EFFECT FROM TO	UNITS PER ASSY	OBS
		1234567 				
1 - 1	TF31-10-00-01-001		CONTROL AND INDICATING PANELS		RF	
10	TB31-10-01-01		.INSTRUMENT PANEL		1	
20	TB31-10-02-01		.CENTRAL CONSOLE		1	
30	TB31-10-03-01		.ENGINE MONITORING CLUSTER		1	R

- ITEM NOT ILLUSTRATED

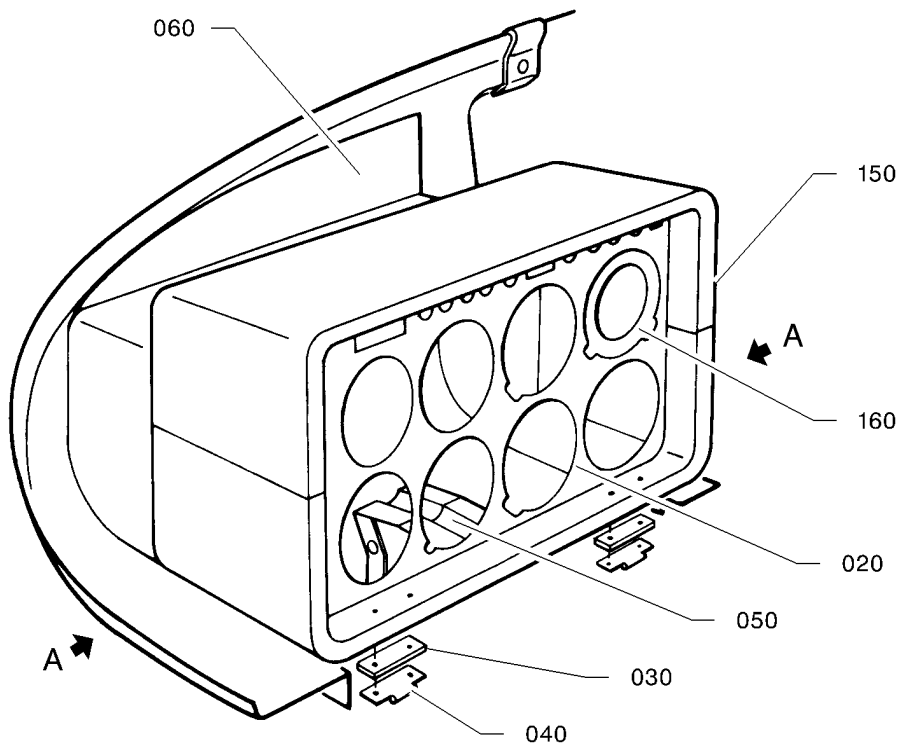
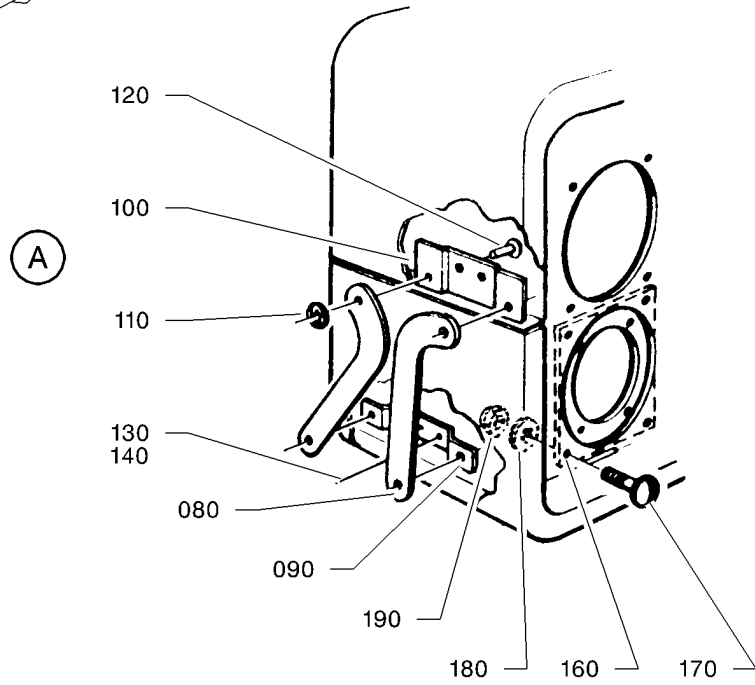
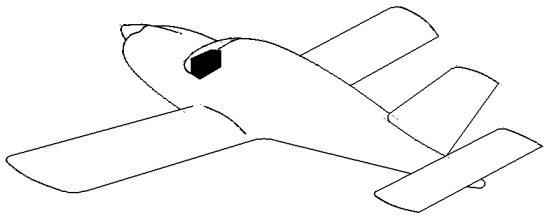
31-10-00

FIG. 1

PAGE 1

NOV 30/18

S/N 1 - 9999



14311001AAA/VZ4300

INSTRUMENT PANEL - L.H. PANEL STRIP
FIGURE 1

31-10-01

FIG. 1
PAGE 0 R
NOV 30/18

FIG.ITEM	PART NUMBER	NOMENCLATURE	EFFECT FROM TO	UNITS PER ASSY	OBS
		1234567 			
1 - 1	TF31-10-01-01-001	INSTRUMENT PANEL - L.H. PANEL STRIP		RF	
10	TB10 76007202	.L.H. INSTRUMENT PANEL BLUE		1	
- 10A	TB10 76007302	.L.H. INSTRUMENT PANEL BROWN		1	
20	TB10 76007001	..L.H. INSTRUMENT PANEL STRUCTURE		1	
30	TB10 76007116	...SHIM		2	OR
40	TB10 09010102	...HINGE		2	
50	TB10 09049100	..SPRING		1	OR
60	TB10 76007203	..L.H. COVER BLUE		1	
- 60A	TB10 76007303	..L.H. COVER BROWN		1	
- 70	TB10 76008001	.LINK ASSY		2	
80	TB10 76008100	..LINK		2	OR
90	TB10 76008101	..LINK SUPPORT		1	OR
100	TB10 76008102	..UPPER SUPPORT		1	OR
110	5730003040	..RETAINING WASHER OPT TO 6492-1040 MADE BY VF4492		4	R
120	5528052382	..RIVET OPT TO NFL21215AD4008L MADE BY VF0111		4	
130	5102953075	ATTACHING PARTS ..BOLT OPT TO E27311H40Q10AGUL MADE BY VF0110		4	R
140	5386930400	..RAPID NUT OPT TO NU504-1 MADE BY VF0580		4	
150	TB10 76009203	.VISOR BLUE		1	
-150A	TB10 76009303	.VISOR BROWN		1	
160	TB10 76018100	.ADAPTER ATTACHING PARTS		2	
170	5111943075	.SCREW		8	R
180	5701039160	.WASHER OPT TO NFL23111AD040L MADE BY VF0111		8	R
190	5401458159	.NUT OPT TO E25412B40QQVAL MADE BY VF0110 SUPSD BY 5414468159		8	R

- ITEM NOT ILLUSTRATED

31-10-01

FIG. 1

PAGE 1

NOV 30/18

FIG.ITEM	PART NUMBER	NOMENCLATURE	EFFECT FROM TO	UNITS PER ASSY	OBS
1 -190A	5414468159	1234567 .NUT OPT TO 4PH135M MADE BY VF0224 SUPSDS 5401458159 * * *		8	R

- ITEM NOT ILLUSTRATED

31-10-01

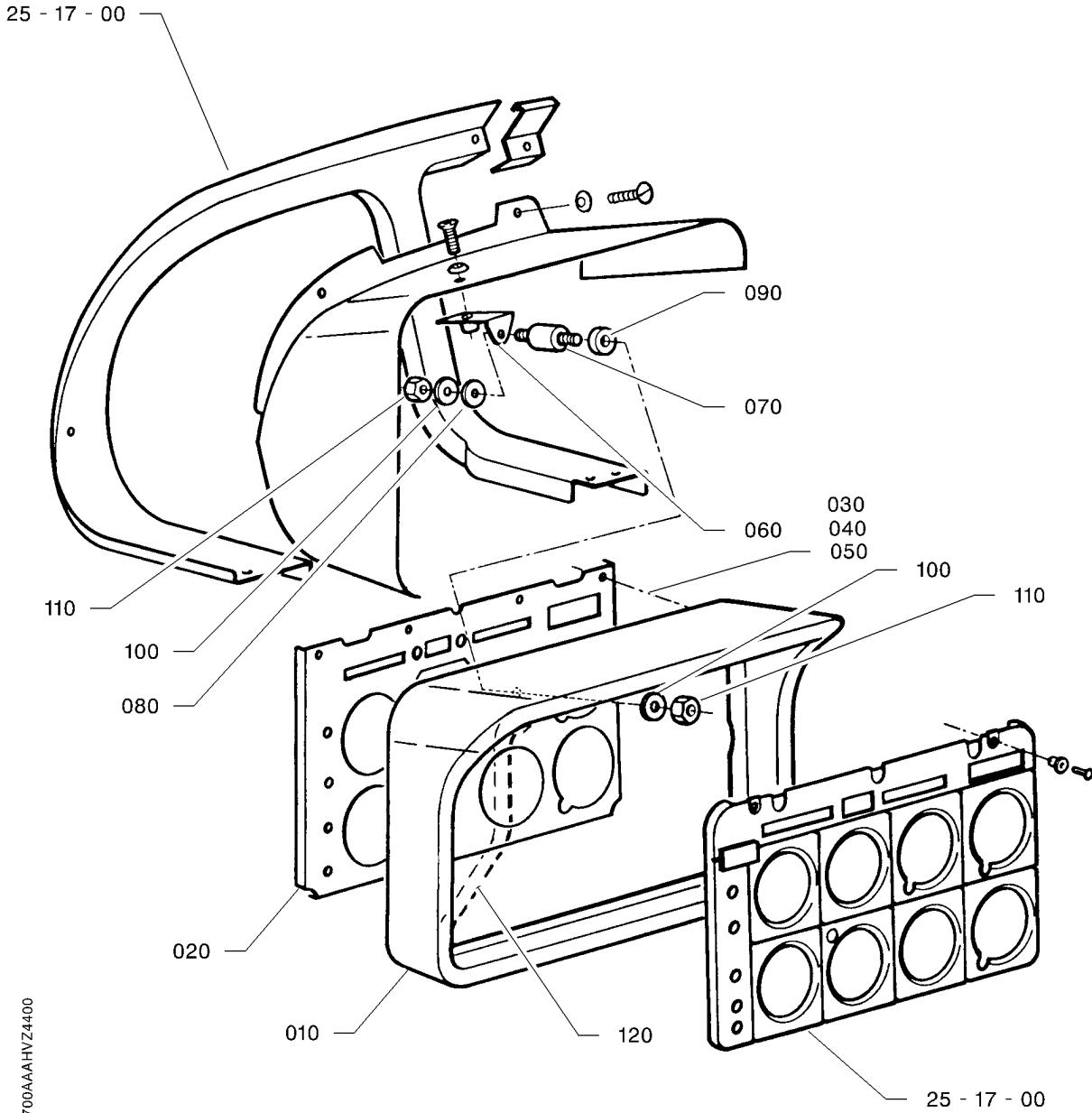
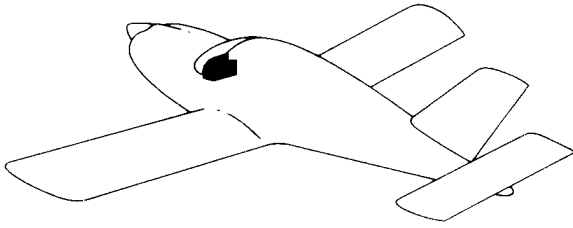
FIG. 1

PAGE 2

NOV 30/18

S/N 1 - 274

PAGE INTENTIONALLY BLANK



14251700AAAHVZ4400

INSTRUMENT PANEL - L.H. PANEL STRIP
FIGURE 1A

31-10-01

FIG. 1A

PAGE 0 R

NOV 30/18

FIG.ITEM	PART NUMBER	NOMENCLATURE	EFFECT FROM TO	UNITS PER ASSY	OBS
		1234567 			
1A- 1	TB31-10-01-01A-001	INSTRUMENT PANEL - L.H. PANEL STRIP		RF	
10	TB20 76011201	.L.H. FOAM INSTRUMENT PANEL BLUE		1	
- 10A	TB20 76011301	.L.H. INSTRUMENT PANEL BROWN		1	
20	TB20 76014001	.L.H. INSTRUMENT PANEL - FWD FACE ATTACHING PARTS		1	
30	5102953078	.BOLT OPT TO E27311H40Q12AGUL MADE BY VF0110		7	R
40	5701039160	.WASHER OPT TO NFL23111AD040L MADE BY VF0111		7	R
50	5401458159	.NUT OPT TO E25412B40QQVAL MADE BY VF0110 SUPSD BY 5414468159		7	R
- 50A	5414468159	.NUT OPT TO 4PH135M MADE BY VF0224 SUPSDS 5401458159 * * *		7	R
60	TB20 76011912	.UPPER SUPPORT		2	
70	7677701293	.VIBRATION ISOLATOR OPT TO 521293 MADE BY VF0220 ATTACHING PARTS		2	R
80	5701039240	.WASHER OPT TO ASN 53101 MADE BY VF0111		1	R
90	5703036240	.WASHER OPT TO 23119AD050L MADE BY VF0111		1	R
100	5719061240	.WASHER OPT TO NFE E27618E50AJTL MADE BY VF0110		2	
110	5303945239	.NUT OPT TO E27411A50QAGUL MADE BY VF0110		2	R
120	31-10-OPT	.SIDE ANTI GLARE * * *		1	

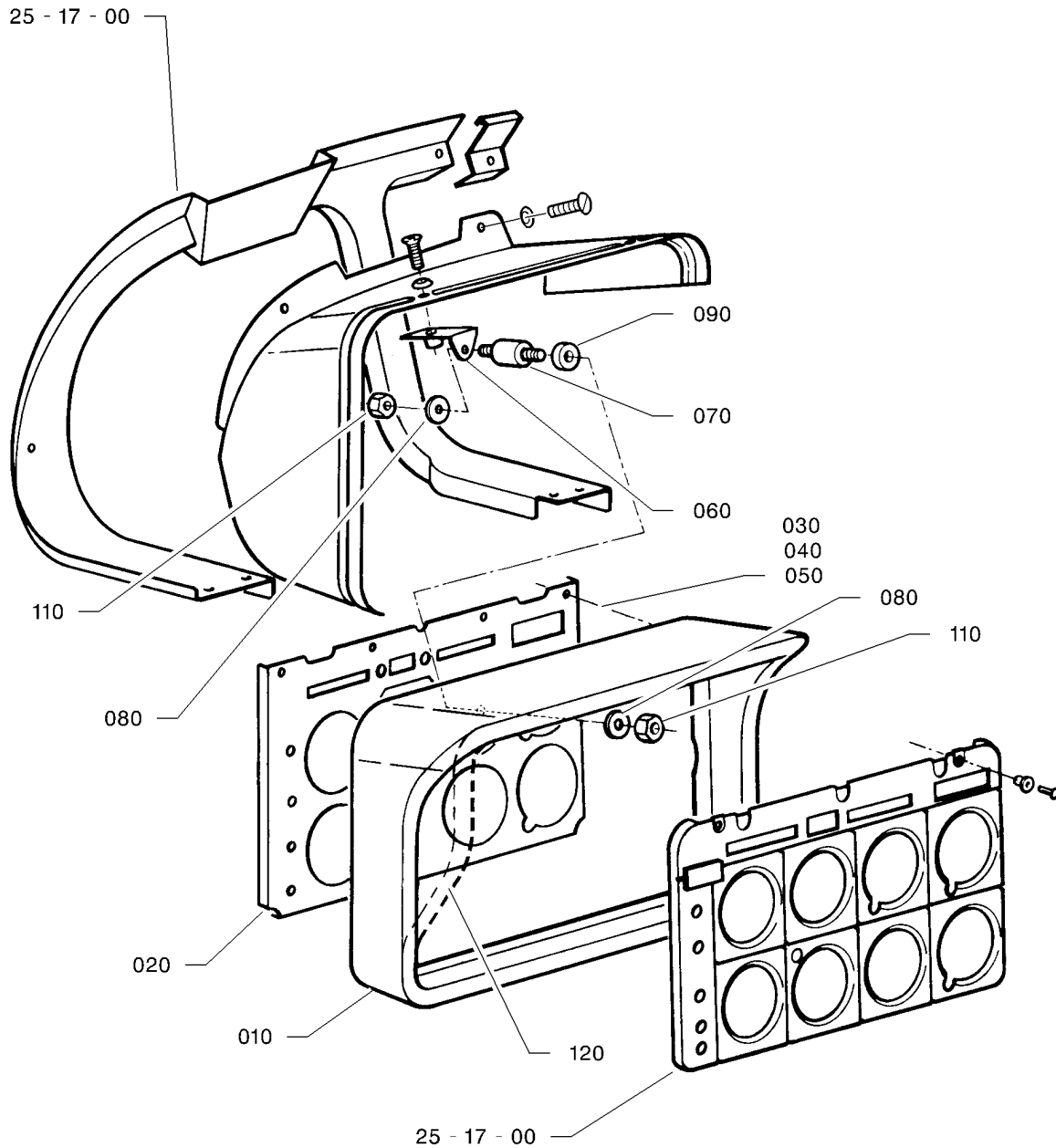
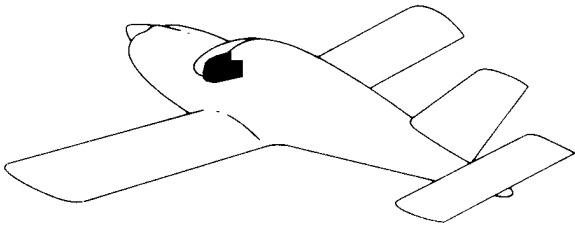
- ITEM NOT ILLUSTRATED

31-10-01

FIG. 1A

PAGE 1

NOV 30/18



I4251700AABAVZ4400

INSTRUMENT PANEL - L.H. PANEL STRIP
FIGURE 1B

31-10-01

FIG. 1B

PAGE 0 R

NOV 30/18

FIG.ITEM	PART NUMBER	1234567 	NOMENCLATURE	EFFECT FROM TO	UNITS PER ASSY	OBS
1B- 1	TB31-10-01-01B-001		INSTRUMENT PANEL - L.H. PANEL STRIP		RF	
10	TB20 76011401		.L.H. FOAM INSTRUMENT PANEL S/N 588 - 1269 RPLD BY TB20 76011410		1	OR
- 10A	TB20 76011410		.L.H. FOAM INSTRUMENT PANEL S/N 588 - 9999 RPLS TB20 76011401		1	R
20	TB20 76014101		.L.H. INSTRUMENT PANEL - FWD FACE ATTACHING PARTS		1	
30	5102953078		.BOLT OPT TO E27311H40Q12AGUL MADE BY VF0110		4	R
- 35	5102953075		.BOLT OPT TO E27311H40Q10AGUL MADE BY VF0110		3	R
40	5701039160		.WASHER OPT TO NFL23111AD040L MADE BY VF0111		7	R
50	5401458159		.NUT OPT TO E25412B40QQVAL MADE BY VF0110 SUPSD BY 5414468159		7	R
- 50A	5414468159		.NUT OPT TO 4PH135M MADE BY VF0224 SUPSDS 5401458159		7	R
60	TB20 76011912		* * * .UPPER SUPPORT		2	
70	7677701293		.VIBRATION ISOLATOR OPT TO 521293 MADE BY VF0220 ATTACHING PARTS		2	R
80	5701039240		.WASHER OPT TO ASN 53101 MADE BY VF0111		4	R
90	5703036240		.WASHER OPT TO 23119AD050L MADE BY VF0111		2	R
110	5303945239		.NUT OPT TO E27411A50QAGUL MADE BY VF0110		2	R
120	31-10-OPT		.SIDE ANTI GLARE S/N 588 - 1269 * * *		1	

- ITEM NOT ILLUSTRATED

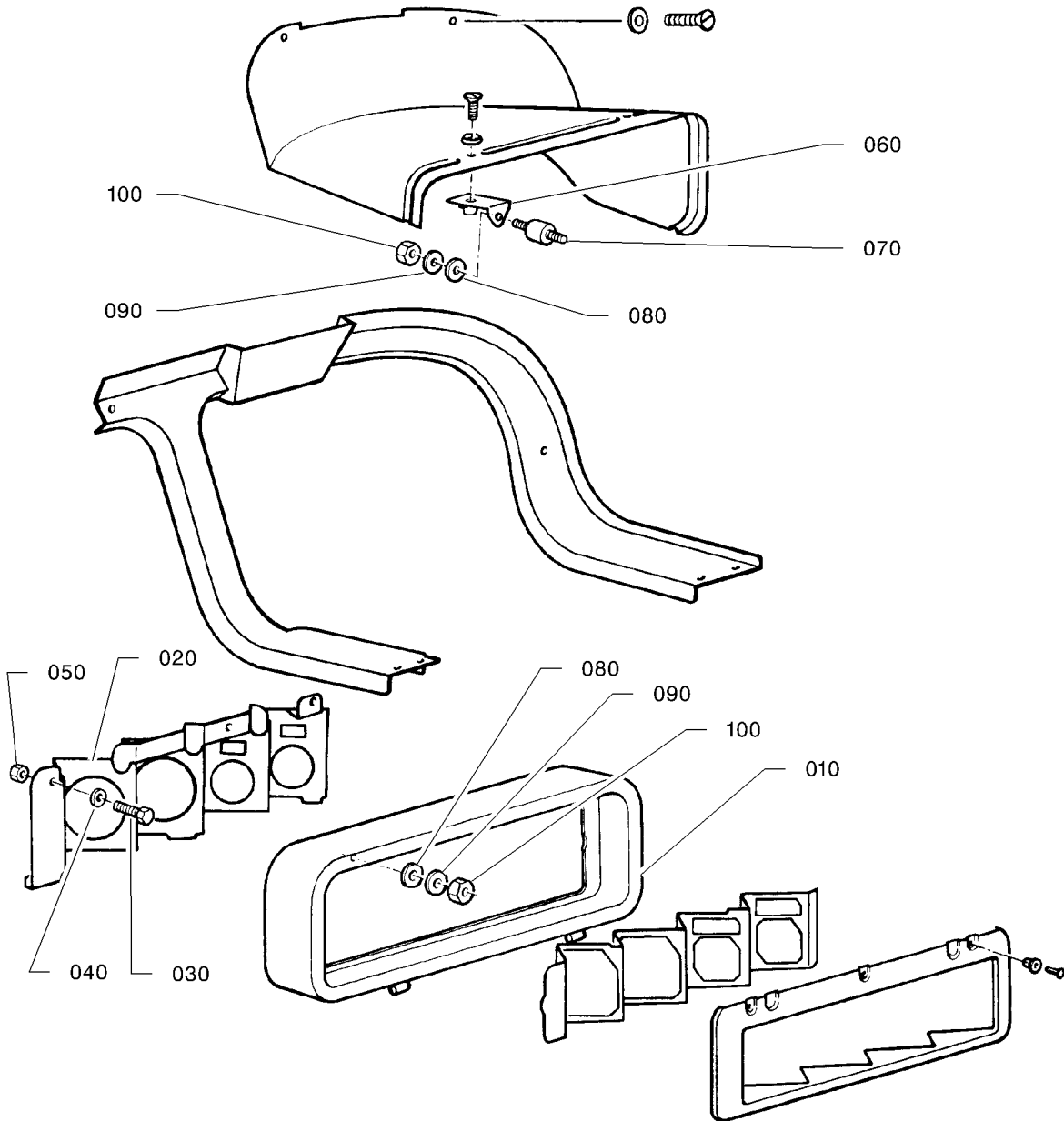
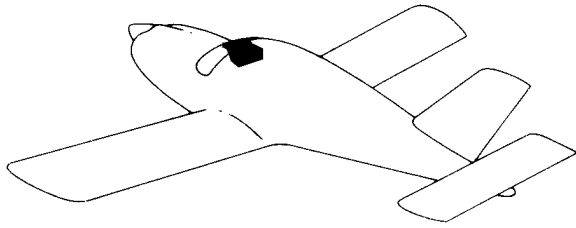
31-10-01

FIG. 1B

PAGE 1

NOV 30/18

S/N 588 - 9999



14251700AAAUVZ4400

INSTRUMENT PANEL - R.H. PANEL STRIP (SMALL)
FIGURE 2

31-10-01

FIG. 2
PAGE 0 R

S/N 275 - 764, 766 - 878 AND POST-MOD. 151 (S/N 1 - 274, 765, 879 - 9999 PRE-MOD.)
NOV 30/18

151, SEE OPTION)

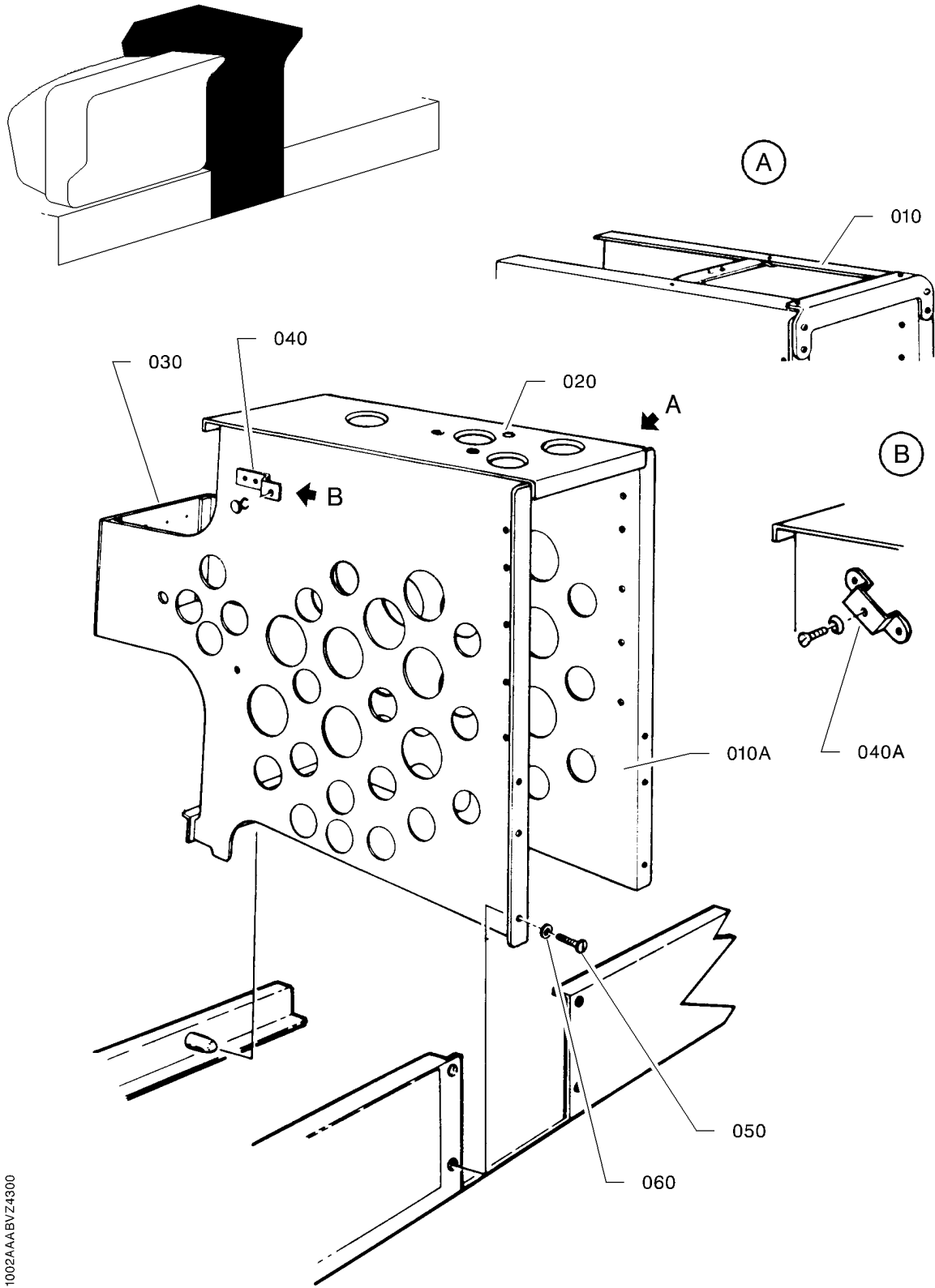
FIG. ITEM	PART NUMBER	NOMENCLATURE	EFFECT FROM TO	UNITS PER ASSY	OBS
		1234567 			
2 - 1	TF31-10-01-02-001	INSTRUMENT PANEL - R.H. PANEL STRIP (SMALL)		RF	
10	TB20 76012201	.R.H. SMALL INSTRUMENT PANEL S/N 275 - 587 BLUE		1	
- 10A	TB20 76012301	.R.H. SMALL INSTRUMENT PANEL S/N 275 - 587 BROWN		1	
- 10B	TB20 76012401	.R.H. SMALL FOAM INSTRUMENT PANEL S/N 588 - 764, 766 - 878		1	
20	TB20 76016002	.R.H. SMALL INSTRUMENT PANEL - FWD FACE		1	
30	5102953078	ATTACHING PARTS .BOLT OPT TO E27311H40Q12AGUL MADE BY VF0110		7	R
40	5701039160	.WASHER OPT TO NFL23111AD040L MADE BY VF0111		7	R
50	5401458159	.NUT OPT TO E25412B40QQVAL MADE BY VF0110 SUPSD BY 5414468159		7	R
- 50A	5414468159	.NUT OPT TO 4PH135M MADE BY VF0224 SUPSDS 5401458159 * * *		7	R
60	TB20 76012912	.UPPER SUPPORT		2	
70	7677701293	.VIBRATION ISOLATOR OPT TO 521293 MADE BY VF0220		2	R
80	5701039240	ATTACHING PARTS .WASHER OPT TO ASN 53101 MADE BY VF0111		2	R
90	5719061240	.WASHER OPT TO NFE E27618E50AJTL MADE BY VF0110		2	
100	5303945239	.NUT OPT TO E27411A50QAGUL MADE BY VF0110 * * *		2	R

- ITEM NOT ILLUSTRATED

31-10-01

FIG. 2
PAGE 1

S/N 275 - 764, 766 - 878 AND POST-MOD. 151 (S/N 1 - 274, 765, 879 - 9999 PRE-MOD. 151, SEE OPTION) NOV 30/18



I4311002AAAABVZ4300

CENTRAL CONSOLE
FIGURE 1

31-10-02

FIG. 1
PAGE 0 R
NOV 30/18

FIG.ITEM	PART NUMBER	1234567 	NOMENCLATURE	EFFECT FROM TO	UNITS PER ASSY	OBS
1 - 1	TF31-10-02-01-001		CENTRAL CONSOLE		RF	
10	TB20 23017001		.CENTRAL CONSOLE S/N 1 - 100		1	
10A	TB10 23017002		.CENTRAL CONSOLE S/N 101 - 274		1	
20	5387301408		..NUT VF0344 OPT TO ARB-M4-0,8A MADE BY VF0344		3	
30	TB10 23021100		..RADIO TERMINAL STRIP SUPPORT		1	OR
40	TB10 23017107		.CASING SUPPORT RPLD BY TB20 23017005 + 5026104120 + 5242004000		2	OR
40A	TB20 23017005		.CASING SUPPORT RPLS TB10 23017107 ATTACHING PARTS		2	OR
50	5111943078		.SCREW OPT TO E27116C40Q12AGUL MADE BY VF0110		4	R
60	5701039160		.WASHER OPT TO NFL23111AD040L MADE BY VF0111 * * *		4	R

- ITEM NOT ILLUSTRATED

31-10-02

FIG. 1

PAGE 1

NOV 30/18

S/N 1 - 274

FIG.ITEM	PART NUMBER	1234567 	NOMENCLATURE	EFFECT FROM TO	UNITS PER ASSY	OBS
1A- 1	TB31-10-02-01A-001		CENTRAL CONSOLE		RF	
10	TB20 23017001		.CENTRAL CONSOLE S/N 275 - 822, 850 - 887, 889 - 947		1	
- 10A	TB20 23017004		.CENTRAL CONSOLE S/N 823 - 849, 888, 948 - 9999		1	
- 10B	TB20 2301900000		.CENTRAL CONSOLE WITH A/P INSTALLED UNDER ENGINE CONTROL PANEL		1	
20	5387301408		..NUT VF0344 OPT TO ARB-M4-0,8A MADE BY VF0344		3	
30	TB10 23021100		..RADIO TERMINAL STRIP SUPPORT S/N 275 - 822, 850 - 887, 889 - 947		1	OR
- 30A	TB10 23024100		..RADIO TERMINAL STRIP SUPPORT S/N 823 - 849, 888, 948 - 9999		1	OR
30B	TB10 61064000		..RADIO BAR SUPPORT PLATE S/N 823 - 849, 888, 948 - 9999 ATTACHING PARTS		1	OR
40	5111929078		..SCREW OPT TO E27116C40Q12CCU MADE BY VF0110		4	R
50	5431465159		..ANCHOR NUT, ONE LUG VF0224 OPT TO 4AJ109M MADE BY VF0224 * * *		4	
60	TB10 23017107		..CASING SUPPORT S/N 275 - 822, 850 - 887, 889 - 947 RPLD BY TB20 23017005 + 5026104120 + 5735053160		2	OR
60A	TB10 23017120		..CASING SUPPORT S/N 823 - 849, 888, 948 - 1100 RPLD BY TB20 23017005 + 5026104120 + 5735053160		2	OR
60B	TB20 23017005		..CASING SUPPORT S/N 1101 - 9999 RPLS TB10 23017107 AND TB10 23017120		2	OR
70	TB20 65017001		..DIFFUSER ATTACHING PARTS		1	OR
80	5111943078		..SCREW OPT TO E27116C40Q12AGUL MADE BY VF0110		2	R
90	5701039160		..WASHER OPT TO NFL23111AD040L MADE BY VF0111		2	R

- ITEM NOT ILLUSTRATED

31-10-02

FIG. 1A

PAGE 1

NOV 30/18

S/N 275 - 9999 PRE-MOD. 170, NOT RAISED

FIG.ITEM	PART NUMBER	NOMENCLATURE	EFFECT FROM TO	UNITS PER ASSY	OBS
1A 100	TB20 09090100	<div style="text-align: center;"> 1234567 ..PIN * * * </div>		2	

- ITEM NOT ILLUSTRATED

31-10-02

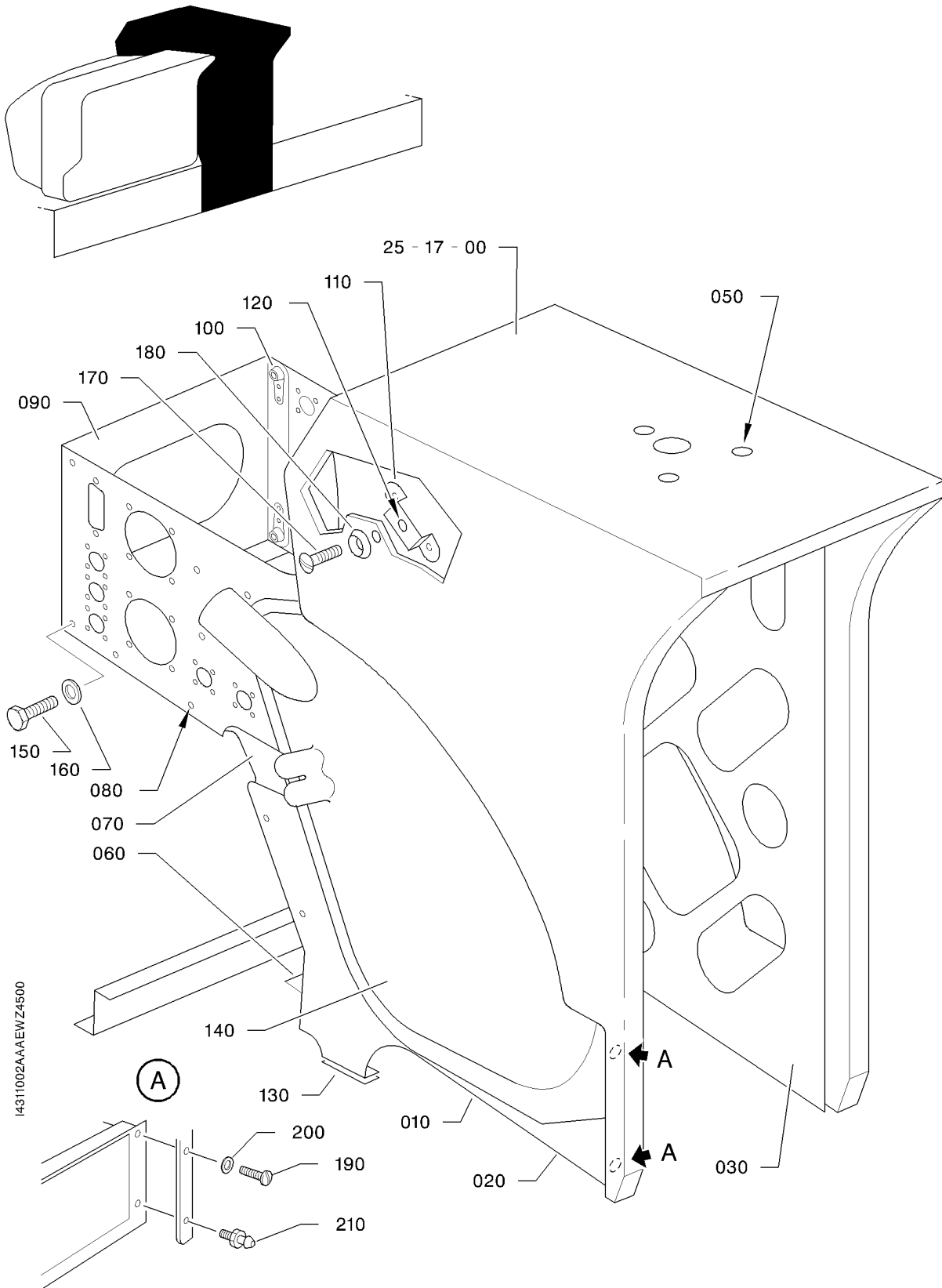
FIG. 1A

PAGE 2 R

NOV 30/18

S/N 275 - 9999 PRE-MOD. 170, NOT RAISED

PAGE INTENTIONALLY BLANK



CENTRAL CONSOLE
FIGURE 1B

31-10-02

FIG. 1B

PAGE 0 R

NOV 30/18

FIG. ITEM	PART NUMBER	NOMENCLATURE	EFFECT FROM TO	UNITS PER ASSY	OBS
		1234567 			
1B- 1	TF31-10-02-01B-001	CENTRAL CONSOLE		RF	
10	TB10 2302800010	.CENTRAL CONSOLE		1	
20	TB10 2302810000	..L.H. POST		1	
30	TB10 2302810100	..R.H. POST		1	
- 40	TB20 23017119	..UPPER PLATE		1	
50	5387301408	...NUT OPT TO ARB-M4-0,8A MADE BY VF0344		3	
60	TB10 2303210700	..STIFFENER		1	
70	TB10 2303210301	..STIFFENER		1	
80	5431465159	...ANCHOR NUT, ONE LUG OPT TO 4AJ109M MADE BY VF0224		8	
90	TB10 2303210401	..FAN SUPPORT		1	
100	5431465159	...ANCHOR NUT, ONE LUG OPT TO 4AJ109M MADE BY VF0224		4	
110	TB20 23017005	..CASING SUPPORT		2	OR
120	5425218040	...ANCHOR NUT, TWO LUG, FLOATING OPT TO 4SF5009M MADE BY VF0224		2	
130	TB10 2303210600	..SHIM		2	
140	TB20 65017001	..DIFFUSER ATTACHING PARTS		1	OR
150	5102953075	..BOLT OPT TO E27311H40Q10AGUL MADE BY VF0110		12	R
160	5701039160	..WASHER OPT TO NFL23111AD040L MADE BY VF0111		12	R
170	5147963078	..SCREW OPT TO NF E27113C40Q12AGUL MADE BY VF0111		2	
180	7743700204	..CUP WASHER		2	
190	5111943078	..SCREW OPT TO E27116C40Q12AGUL MADE BY VF0110		2	R
200	5701039160	..WASHER OPT TO NFL23111AD040L MADE BY VF0111		2	R
210	TB20 0909010100	* * * .PIN		2	

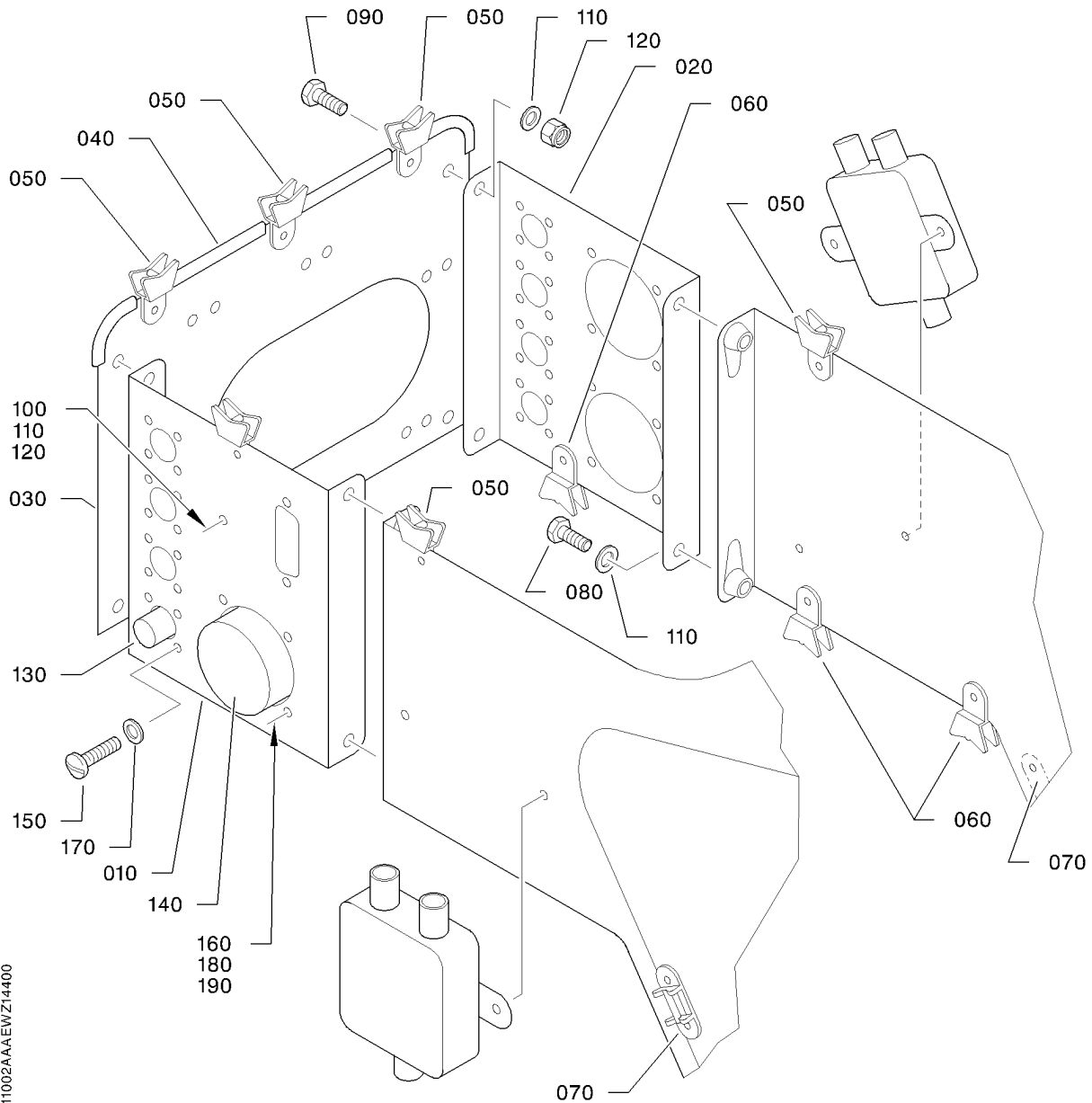
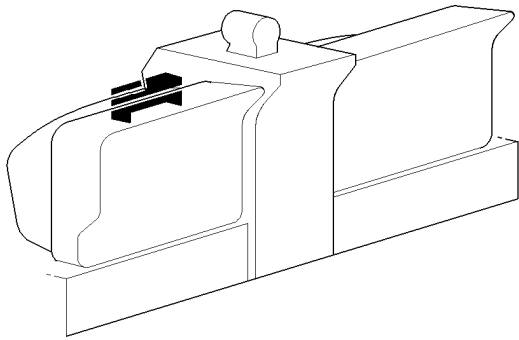
- ITEM NOT ILLUSTRATED

31-10-02

FIG. 1B

PAGE 1

NOV 30/18



I4311002AAA EWZ14400

CENTRAL CONSOLE EQUIPMENT
FIGURE 2

31-10-02

FIG. 2

PAGE 0 R

NOV 30/18

FIG.ITEM	PART NUMBER	NOMENCLATURE	EFFECT FROM TO	UNITS PER ASSY	OBS
		1234567 			
2 - 1	TB31-10-02-02-001	CENTRAL CONSOLE EQUIPMENT		RF	
10	TB20 6577810000	.CONNECTOR SUPPORT		1	
20	TB20 6577810100	.CONNECTOR SUPPORT		1	
30	TB20 6577810200	.FAN SUPPORT		1	
40	4247754001	.PROTECTION EDGING OPT TO 461-0044 MADE BY VD8905		AR	R
50	7788261235	.SUPPORT		6	
60	7788261332	.SUPPORT		3	
70	7788243024	.SUPPORT		2	
		ATTACHING PARTS			
80	5102967075	.BOLT OPT TO NFE27311H40Q10CCU MADE BY VF0110		4	NP R
90	5142023079	.SCREW		4	R
100	5111929075	.SCREW OPT TO NF E27116C40Q10CCU MADE BY VF0111		1	R
110	5701039160	.WASHER OPT TO NFL23111AD040L MADE BY VF0111		9	R
120	5401458159	.NUT OPT TO E25412B40QQVAL MADE BY VF0110 SUPSD BY 5414468159		5	R
-120A	5414468159	.NUT OPT TO 4PH135M MADE BY VF0224 SUPSDS 5401458159		5	R
		* * *			
130	WIRING MANUAL	.CONNECTOR		1	
140	WIRING MANUAL	.CONNECTOR		1	
		ATTACHING PARTS			
150	5111943036	.SCREW OPT TO NF E27116C25Q6AGUL MADE BY VF0111		32	R
160	5111929031	.SCREW		12	
170	5714042055	.WASHER		32	
180	5701039100	.WASHER OPT TO 23111AD030L MADE BY VF0111		12	R
190	5401458099	.NUT OPT TO E25412B30QQVAL MADE BY VF0110		12	R
		* * *			

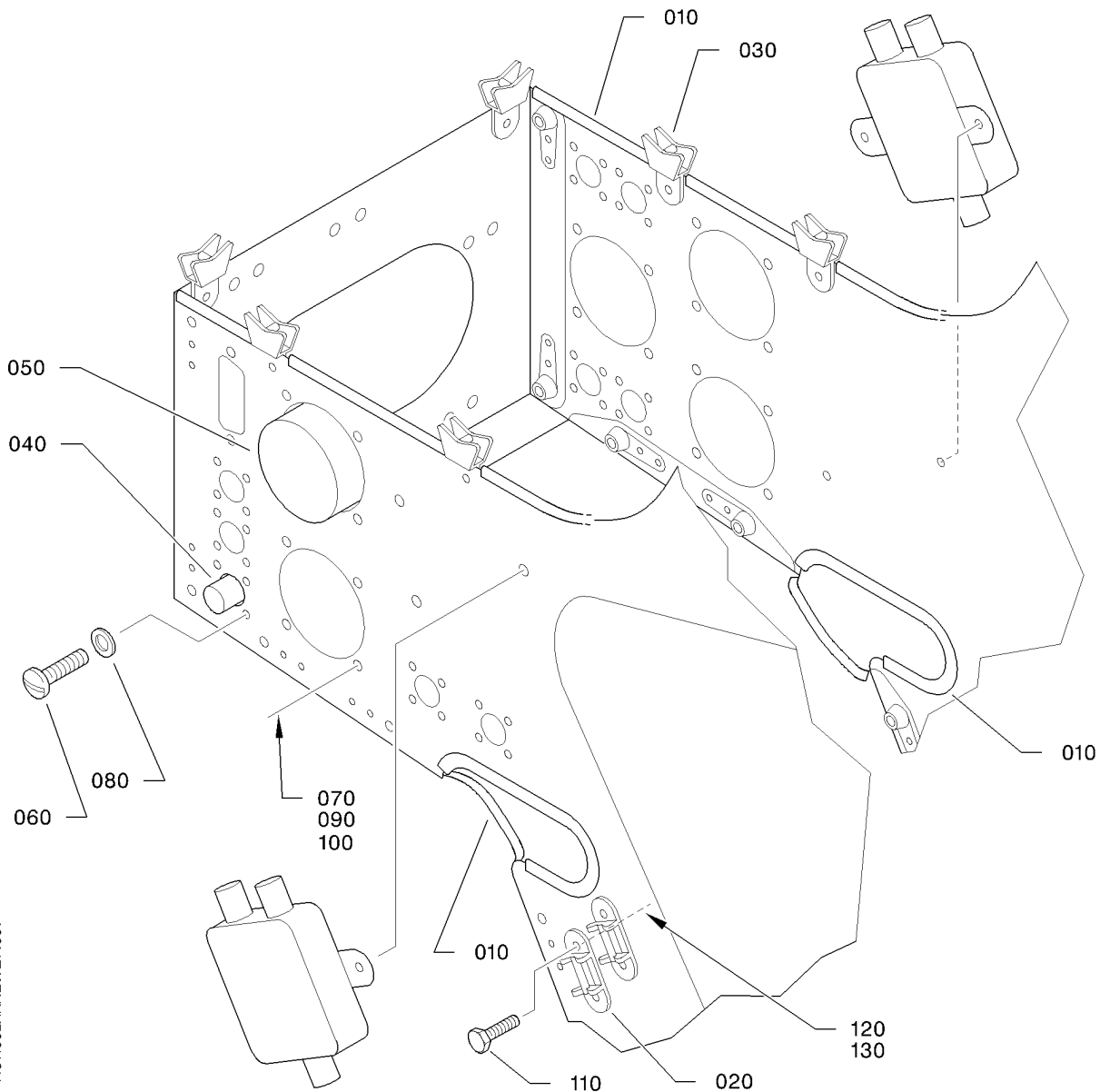
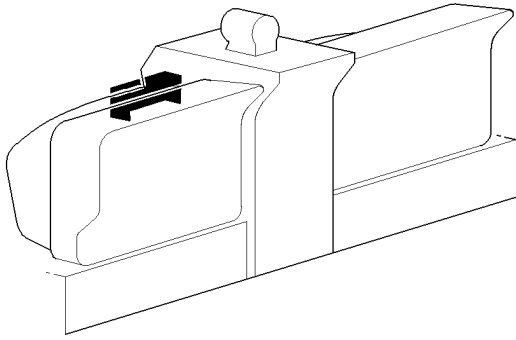
- ITEM NOT ILLUSTRATED

31-10-02

FIG. 2

PAGE 1

NOV 30/18



14311002AAAEWZ14501

CENTRAL CONSOLE EQUIPMENT
FIGURE 2A

31-10-02

FIG. 2A

PAGE 0 R

NOV 30/18

FIG. ITEM	PART NUMBER	NOMENCLATURE	EFFECT FROM TO	UNITS PER ASSY	OBS
		1234567 			
2A- 1	TB31-10-02-02A-001	CENTRAL CONSOLE EQUIPMENT		RF	
10	4247754001	.PROTECTION EDGING OPT TO 461-0044 MADE BY VD8905		AR	R
20	7788243024	.SUPPORT		5	
30	7788261342	.TIE-WRAP SUPPORT		6	
40	WIRING MANUAL	.CONNECTOR		1	
50	WIRING MANUAL	.CONNECTOR		1	
		ATTACHING PARTS			
60	5111943036	.SCREW VF0111 OPT TO NF E27116C25Q6AGUL MADE BY VF0111		36	
70	5111929031	.SCREW		20	
80	5714042055	.WASHER		36	
90	5701039100	.WASHER OPT TO 23111AD030L MADE BY VF0111		20	R
100	5401458099	.NUT OPT TO E25412B30QQVAL MADE BY VF0110		20	R
110	5102953078	.BOLT OPT TO E27311H40Q12AGUL MADE BY VF0110		2	R
120	5701039160	.WASHER OPT TO NFL23111AD040L MADE BY VF0111		2	R
130	5303945159	.NUT VF0110 OPT TO NFE27411A40QAGUL MADE BY VF0110 * * *		2	

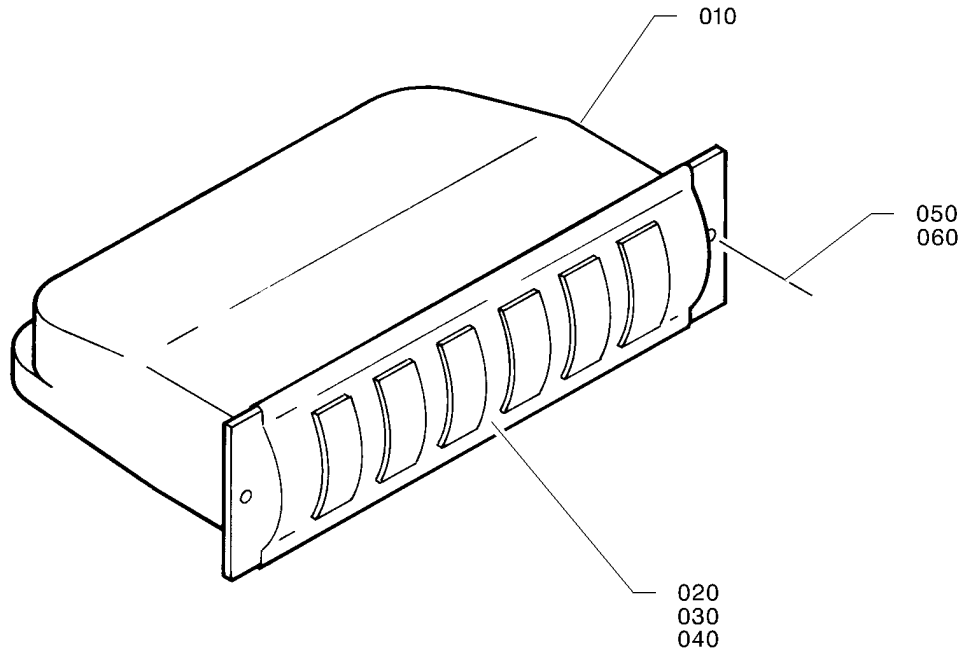
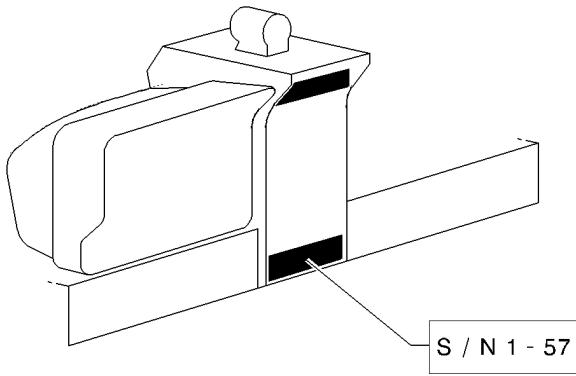
- ITEM NOT ILLUSTRATED

31-10-02

FIG. 2A

PAGE 1

NOV 30/18



14311003AAAABVZ4300

ENGINE INDICATING BOX
FIGURE 1

31-10-03

FIG. 1
PAGE 0 R

NOV 30/18

FIG.ITEM	PART NUMBER	NOMENCLATURE	EFFECT FROM TO	UNITS PER ASSY	OBS
		1234567 			
1 - 1	TF31-10-03-01-001	ENGINE INDICATING BOX		RF	
10	TB10 76030003	.ENGINE MONITORING CLUSTER		1	
20	TB10 76033000	.PRINTED COVER NOT VALID FOR ENGLISH-SPEAKING COUNTRIES		1	
30	TB10 72934130	.PRINTED COVER ENGLISH-SPEAKING COUNTRIES, EXCEPT AUSTRALIA		1	
40	TB10 72930103	.PRINTED COVER AUSTRALIA		1	
50	5169902084	ATTACHING PARTS .SCREW OPT TO E27128-40Q15CCU MADE BY VF0110		2	R
60	5385835514	.NUT * * *		2	R

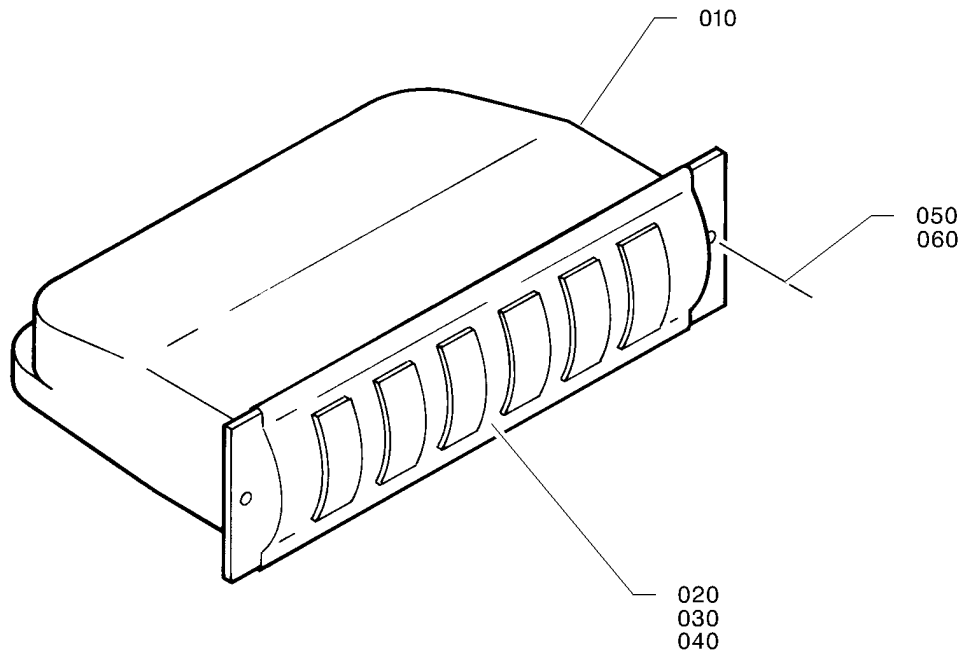
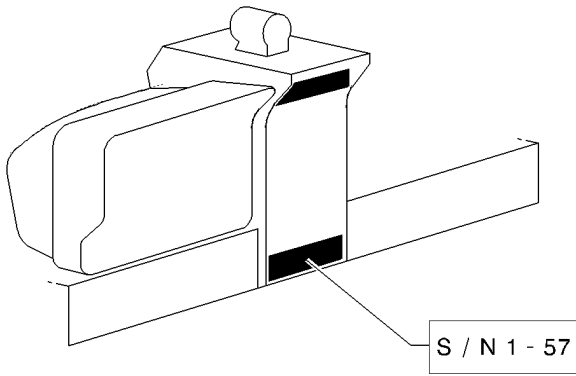
- ITEM NOT ILLUSTRATED

31-10-03

FIG. 1

PAGE 1

NOV 30/18



14311003AAAABVZ4300

ENGINE INDICATING BOX
FIGURE 1A

S/N 1 - 274 WITH FUEL TANKS 20.1 U.S. GAL (76 L)

31-10-03

FIG. 1A
PAGE 0 R
NOV 30/18

FIG.ITEM	PART NUMBER	1234567 	NOMENCLATURE	EFFECT FROM TO	UNITS PER ASSY	OBS
1A- 1	TF31-10-03-01A-001		ENGINE INDICATING BOX		RF	R
10	TB09 76030002		.ENGINE MONITORING CLUSTER		1	
20	TB10 76033000		.PRINTED COVER NOT VALID FOR ENGLISH-SPEAKING COUNTRIES		1	
30	TB10 72934130		.PRINTED COVER ENGLISH-SPEAKING COUNTRIES, EXCEPT AUSTRALIA		1	
40	TB09 72930103		.PRINTED COVER AUSTRALIA ATTACHING PARTS		1	
50	5169902084		.SCREW OPT TO E27128-40Q15CCU MADE BY VF0110		2	R
60	5385835514		.NUT * * *		2	R

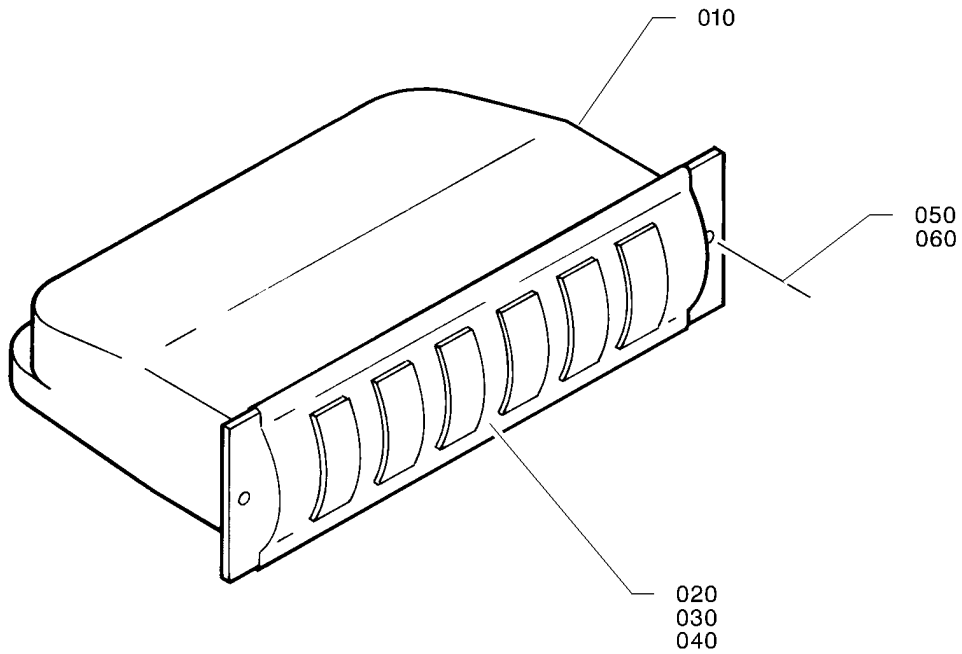
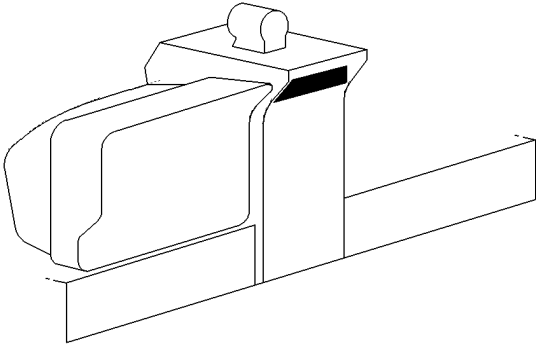
- ITEM NOT ILLUSTRATED

31-10-03

FIG. 1A

PAGE 1

NOV 30/18



I4311003AAA FVZ4300

ENGINE INDICATING BOX
FIGURE 1B

31-10-03

FIG. 1B

PAGE 0 R

NOV 30/18

S/N 275 - 528, 530 - 560, WITH FUEL TANKS 26.9 U.S. GAL (102 L), WITHOUT KIT OPT10
911300

FIG.ITEM	PART NUMBER	NOMENCLATURE	EFFECT FROM TO	UNITS PER ASSY	OBS
		1234567 			
1B- 1	TF31-10-03-01B-001	ENGINE INDICATING BOX		RF	
10	TB10 76060000	.ENGINE MONITORING CLUSTER RPLD BY OPT10 911300 CAUTION : AS SPARES, IT IS MANDATORY TO ORDER THE ENGINE MONITORING CLUSTER AT THE LATEST AMENDMENT		1	OR
20	TB10 76033000	.PRINTED COVER NOT VALID FOR ENGLISH-SPEAKING COUNTRIES		1	
30	TB10 72934130	.PRINTED COVER ENGLISH-SPEAKING COUNTRIES, EXCEPT AUSTRALIA		1	
40	TB10 72930103	.PRINTED COVER AUSTRALIA ATTACHING PARTS		1	
50	5169902084	.SCREW OPT TO E27128-40Q15CCU MADE BY VF0110		2	R
60	5385835514	.NUT * * *		2	R

- ITEM NOT ILLUSTRATED

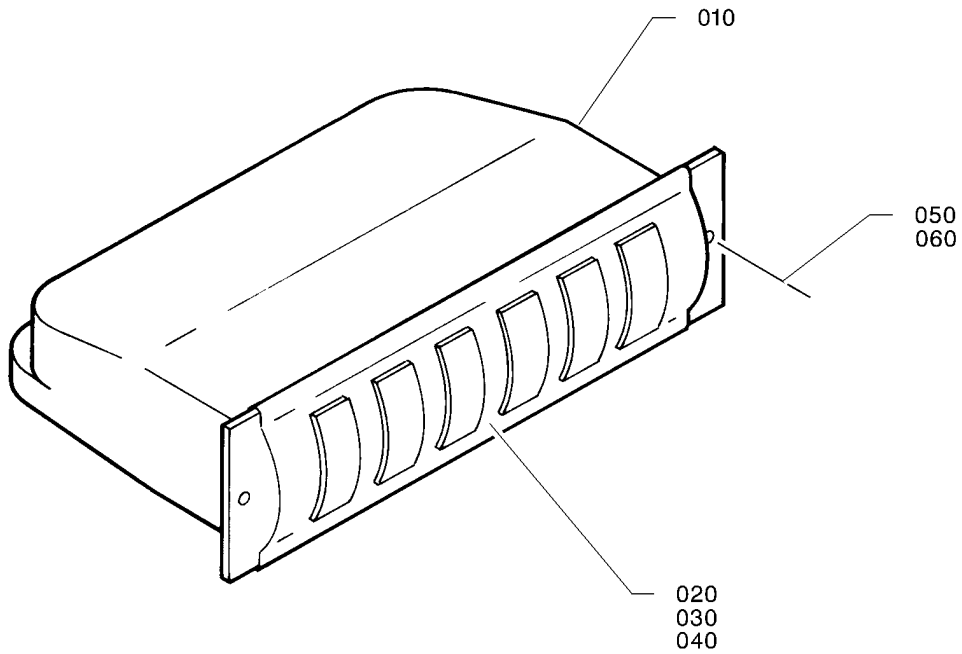
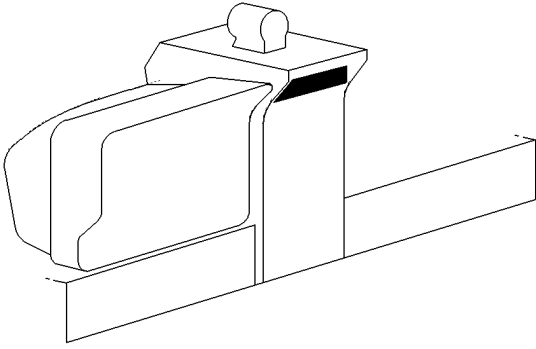
31-10-03

FIG. 1B

PAGE 1

NOV 30/18

S/N 275 - 528, 530 - 560, WITH FUEL TANKS 26.9 U.S. GAL (102 L), WITHOUT KIT OPT10 911300



I4311003AAA FVZ4300

ENGINE INDICATING BOX
FIGURE 1C

31-10-03

FIG. 1C

PAGE 0 R

NOV 30/18

S/N 275 - 528, 530 - 560, WITH FUEL TANKS 20.1 U.S. GAL (76 L), WITHOUT KIT OPT10
911200

FIG.ITEM	PART NUMBER	NOMENCLATURE	EFFECT FROM TO	UNITS PER ASSY	OBS
		1234567 			
1C- 1	TF31-10-03-01C-001	ENGINE INDICATING BOX		RF	
10	TB09 76060000	.ENGINE MONITORING CLUSTER RPLD BY OPT10 911200 CAUTION : AS SPARES, IT IS MANDATORY TO ORDER THE ENGINE MONITORING CLUSTER AT THE LATEST AMENDMENT		1	OR
20	TB10 76033000	.PRINTED COVER NOT VALID FOR ENGLISH-SPEAKING COUNTRIES		1	
30	TB10 72934130	.PRINTED COVER ENGLISH-SPEAKING COUNTRIES, EXCEPT AUSTRALIA		1	
40	TB09 72930103	.PRINTED COVER AUSTRALIA ATTACHING PARTS		1	
50	5169902084	.SCREW OPT TO E27128-40Q15CCU MADE BY VF0110		2	R
60	5385835514	.NUT * * *		2	R

- ITEM NOT ILLUSTRATED

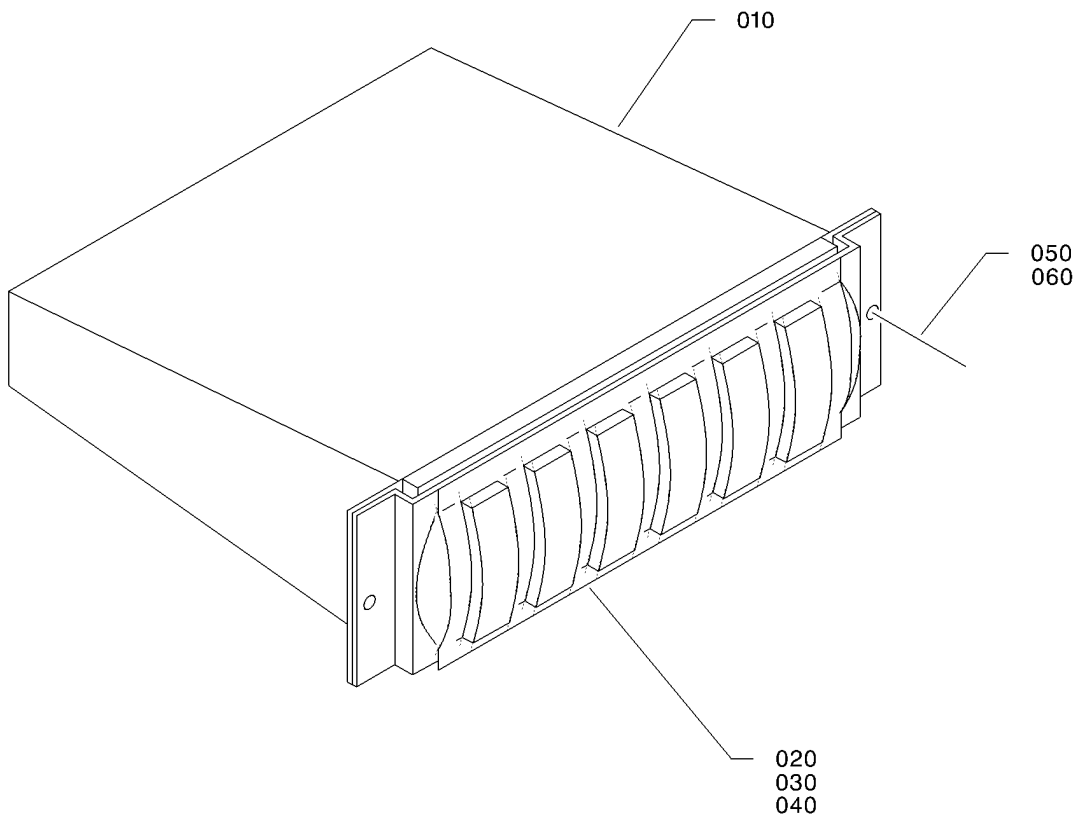
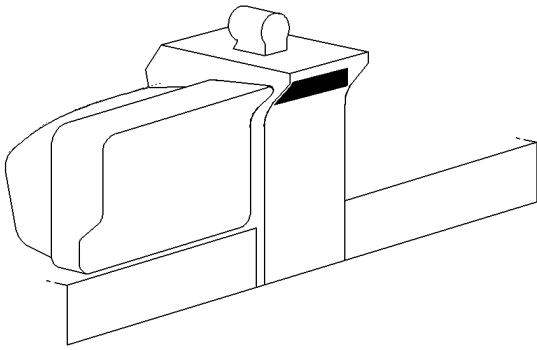
31-10-03

FIG. 1C

PAGE 1

NOV 30/18

S/N 275 - 528, 530 - 560, WITH FUEL TANKS 20.1 U.S. GAL (76 L), WITHOUT KIT OPT10
911200



14311003AAACVZ4300

ENGINE INDICATING BOX
FIGURE 1D

31-10-03

FIG. 1D

PAGE 0 R

NOV 30/18

S/N 529, 561 - 764, 766 - 822, 850 - 878, WITH FUEL TANKS 26.9 U.S. GAL (102 L),
WITH KIT OPT10 911300

FIG.ITEM	PART NUMBER	NOMENCLATURE		EFFECT FROM TO	UNITS PER ASSY	OBS
		1234567 				
1D- 1	TF31-10-03-01D-001		ENGINE INDICATING BOX		RF	
10	TB10 76061000		.ENGINE MONITORING CLUSTER RPLD BY TB10 76061000E		1	
- 10A	TB10 76061000D		.ENGINE MONITORING CLUSTER, AMDT D RPLS TB10 76061000 RPLD BY TB10 76061000E		1	
- 10B	TB10 76061000E		.ENGINE MONITORING CLUSTER, AMDT E RPLS TB10 76061000D		1	
20	TB10 76064105		.PRINTED COVER NOT VALID FOR ENGLISH-SPEAKING COUNTRIES		1	
30	TB10 76064106		.PRINTED COVER ENGLISH-SPEAKING COUNTRIES, EXCEPT AUSTRALIA		1	
40	TB10 76064107		.PRINTED COVER AUSTRALIA ATTACHING PARTS		1	
50	5169902084		.SCREW OPT TO E27128-40Q15CCU MADE BY VF0110		2	R
60	5385835514		.NUT * * *		2	R
70	7284741900		.FILTER ADAPTER POST-MOD. 186		1	R

- ITEM NOT ILLUSTRATED

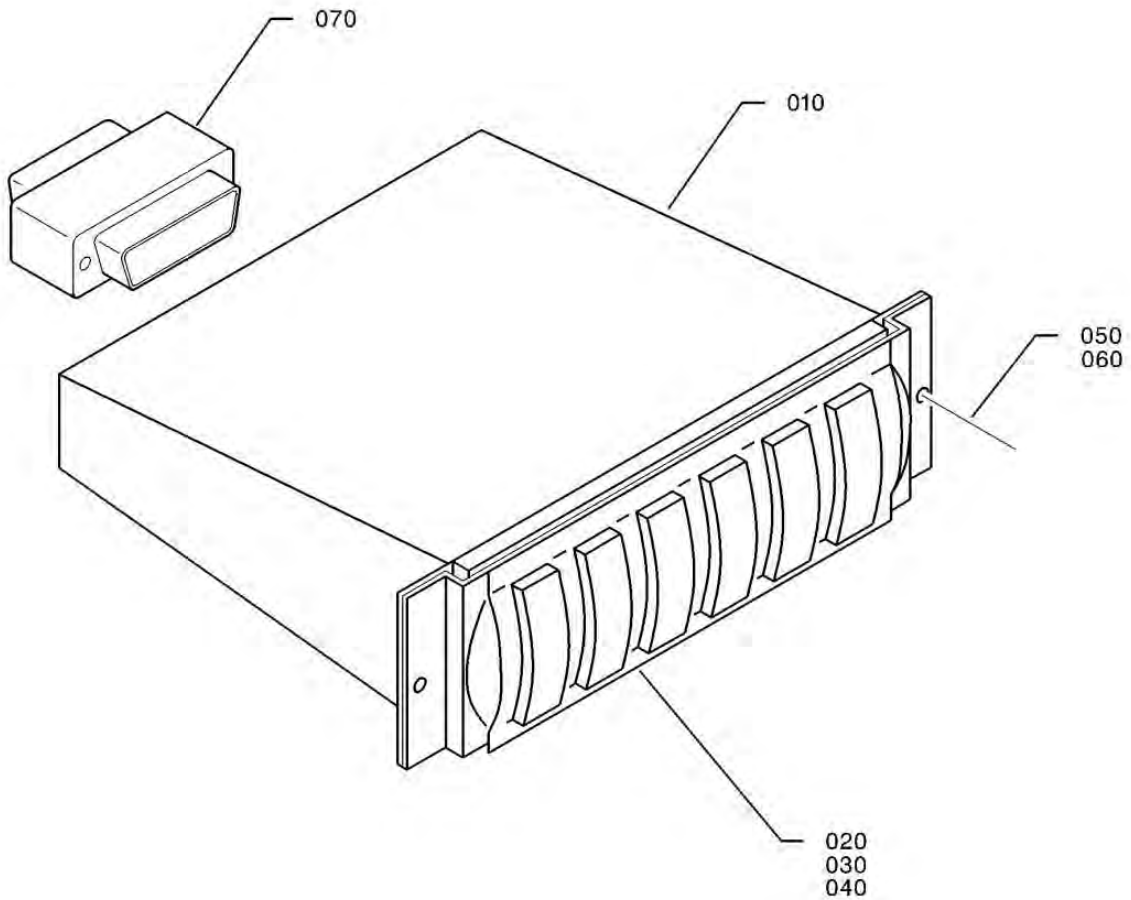
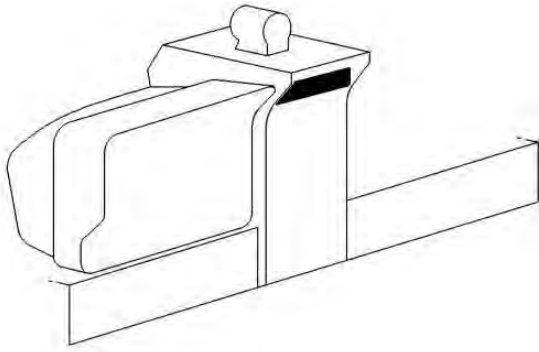
31-10-03

FIG. 1D

PAGE 1

NOV 30/18

S/N 529, 561 - 764, 766 - 822, 850 - 878, WITH FUEL TANKS 26.9 U.S. GAL (102 L),
WITH KIT OPT10 911300



I4311003AAA CVZ4301

ENGINE INDICATING BOX
FIGURE 1E

31-10-03

FIG. 1E

PAGE 0 R

NOV 30/18

FIG.ITEM	PART NUMBER	NOMENCLATURE		EFFECT FROM TO	UNITS PER ASSY	OBS
		1234567 				
1E- 1	TF31-10-03-01E-001		ENGINE INDICATING BOX		RF	
10	TB09 76061000		.ENGINE MONITORING CLUSTER S/N 529, 561 - 822, 850 - 887, 889 - 947 RPLD BY TB09 76061000E		1	R
- 10A	TB09 76061000D		.ENGINE MONITORING CLUSTER, AMDT D S/N 529, 561 - 822, 850 - 887, 889 - 947 RPLS TB09 76061000 RPLD BY TB09 76061000E		1	R
- 10B	TB09 76061000E		.ENGINE MONITORING CLUSTER, AMDT E S/N 529, 561 - 822, 850 - 887, 889 - 947 RPLS TB09 76061000D		1	R
- 10C	TB09 76201000		.ENGINE MONITORING CLUSTER S/N 823 - 849, 888, 948 - 968, 970 - 1184, 1186 - 1213, 1215 - 1477, 1479 - 1505, 1509 - 1512 RPLD BY TB09 76201000D		1	
- 10D	TB09 76201000D		.ENGINE MONITORING CLUSTER, AMDT D S/N 823 - 849, 888, 948 - 968, 970 - 1184, 1186 - 1213, 1215 - 1477, 1479 - 1505, 1509 - 1512 RPLS TB09 76201000		1	
- 10E	6069427221		.ENGINE MONITORING CLUSTER S/N 969, 1185, 1214, 1478, 1506 - 1508, 1513 - 9999 CAUTION : AS SPARES, IT IS MANDATORY TO ORDER THE ENGINE MONITORING CLUSTER AT THE LATEST AMENDMENT		1	
20	TB10 76064105		.PRINTED COVER NOT VALID FOR ENGLISH-SPEAKING COUNTRIES		1	
30	TB10 76064108		.PRINTED COVER ENGLISH-SPEAKING COUNTRIES, EXCEPT AUSTRALIA		1	
40	TB10 76064109		.PRINTED COVER AUSTRALIA ATTACHING PARTS		1	
50	5169902084		.SCREW OPT TO E27128-40Q15CCU MADE BY VF0110 S/N 529, 561 - 822, 850 - 887, 889 - 947		2	R

- ITEM NOT ILLUSTRATED

31-10-03

FIG. 1E
PAGE 1

NOV 30/18

S/N 529, 561 - 9999, WITH FUEL TANKS 20.1 U.S. GAL (76 L), WITH KIT OPT10 911200

FIG.ITEM	PART NUMBER	1234567 	NOMENCLATURE	EFFECT FROM TO	UNITS PER ASSY	OBS
1E- 50A	5111929078		.SCREW OPT TO E27116C40Q12CCU MADE BY VF0110 S/N 823 - 849, 888, 948 - 9999		2	R
60	5385835514		.NUT S/N 529, 561 - 822, 850 - 887, 889 - 947		2	R
- 60A	5421465159		.ANCHOR NUT, TWO LUG OPT TO 4G109M MADE BY VF0224 S/N 823 - 849, 888, 948 - 9999 * * *		2	R
70	7284741900		.FILTER ADAPTER POST-MOD. 186		1	R

- ITEM NOT ILLUSTRATED

31-10-03

FIG. 1E

PAGE 2

NOV 30/18

S/N 529, 561 - 9999, WITH FUEL TANKS 20.1 U.S. GAL (76 L), WITH KIT OPT10 911200

PAGE INTENTIONALLY BLANK

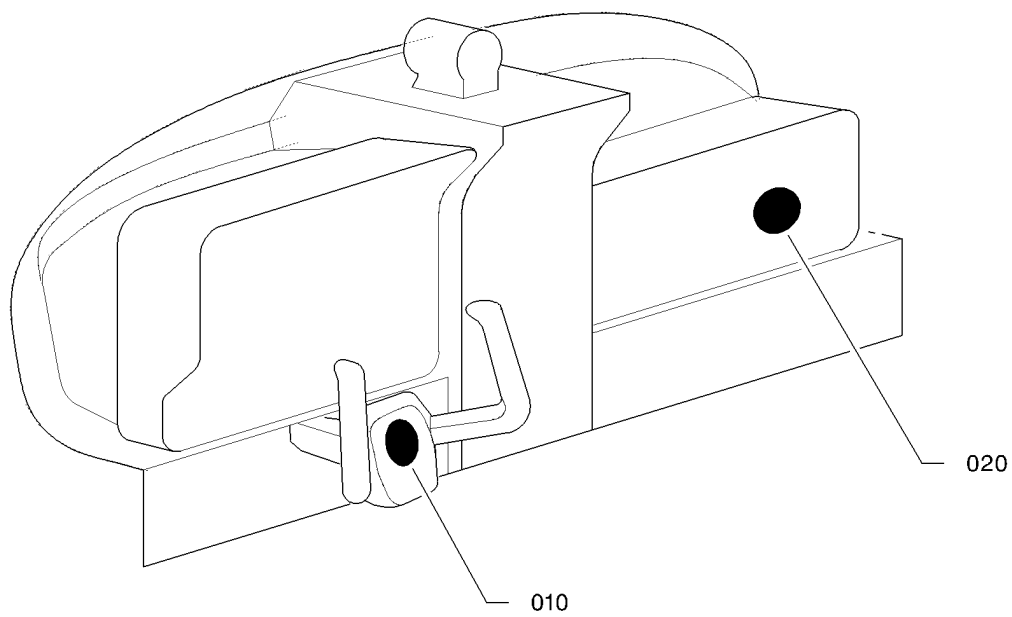
31-10-03

FIG. 1E

PAGE 3 R

NOV 30/18

S/N 529, 561 - 9999, WITH FUEL TANKS 20.1 U.S. GAL (76 L), WITH KIT OPT10 911200



1431000AAAAYZ4500

INDEPENDENT INSTRUMENTS
FIGURE 1

OPTION

31-20-00

FIG. 1

PAGE 0 R

NOV 30/18

FIG.ITEM	PART NUMBER	NOMENCLATURE	EFFECT FROM TO	UNITS PER ASSY	OBS
1 - 1 10 20	TF31-20-00-01-001 31-20-OPT-02 31-20-OPT-03	<div style="text-align: center;"> 1234567 </div> INDEPENDENT INSTRUMENTS .CHRONOMETER .CLOCK		RF 1 1	R R

- ITEM NOT ILLUSTRATED

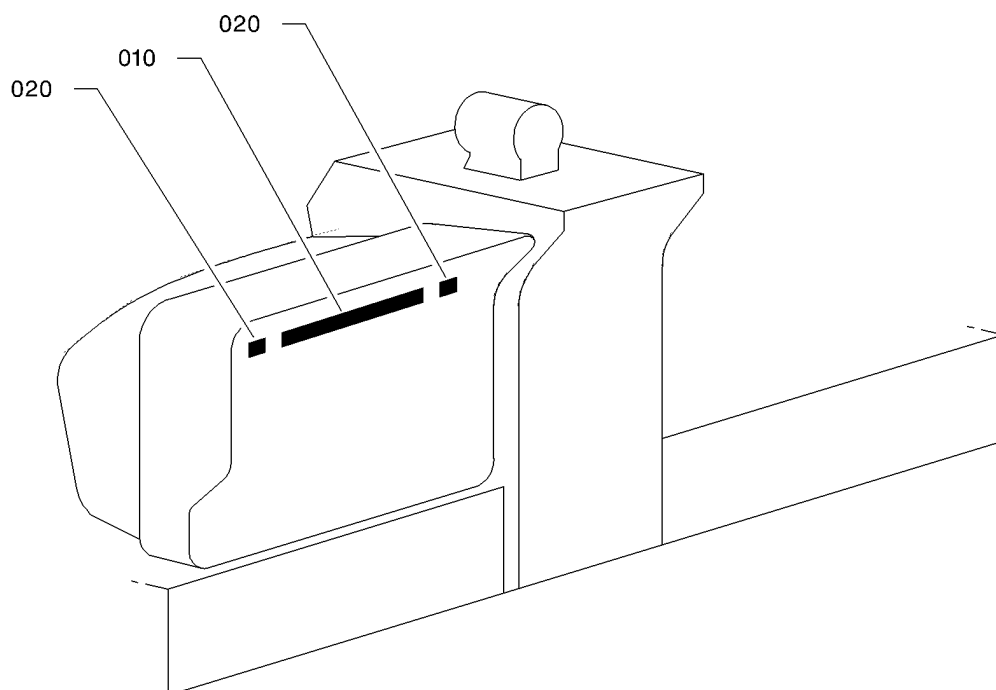
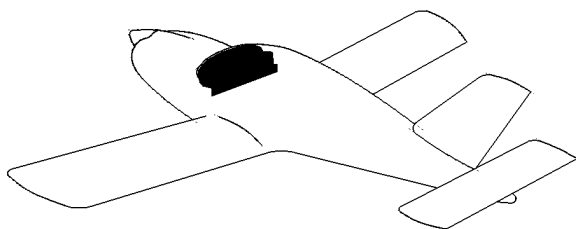
31-20-00

FIG. 1

PAGE 1

NOV 30/18

OPTION



I4311000AAADYZ4301

CENTRAL WARNING SYSTEMS
FIGURE 1

FIG.ITEM	PART NUMBER	NOMENCLATURE		EFFECT FROM TO	UNITS PER ASSY	OBS
		1234567 				
1 - 1	TF31-50-00-01-001		CENTRAL WARNING SYSTEMS		RF	
10	TB31-50-01-01		.ADVISORY PANEL		1	
20	31-50-0PT		.SPECIFIC ADVISORY PANEL		1	
- 30	TB31-50-02-01		.BUZZER		1	

- ITEM NOT ILLUSTRATED

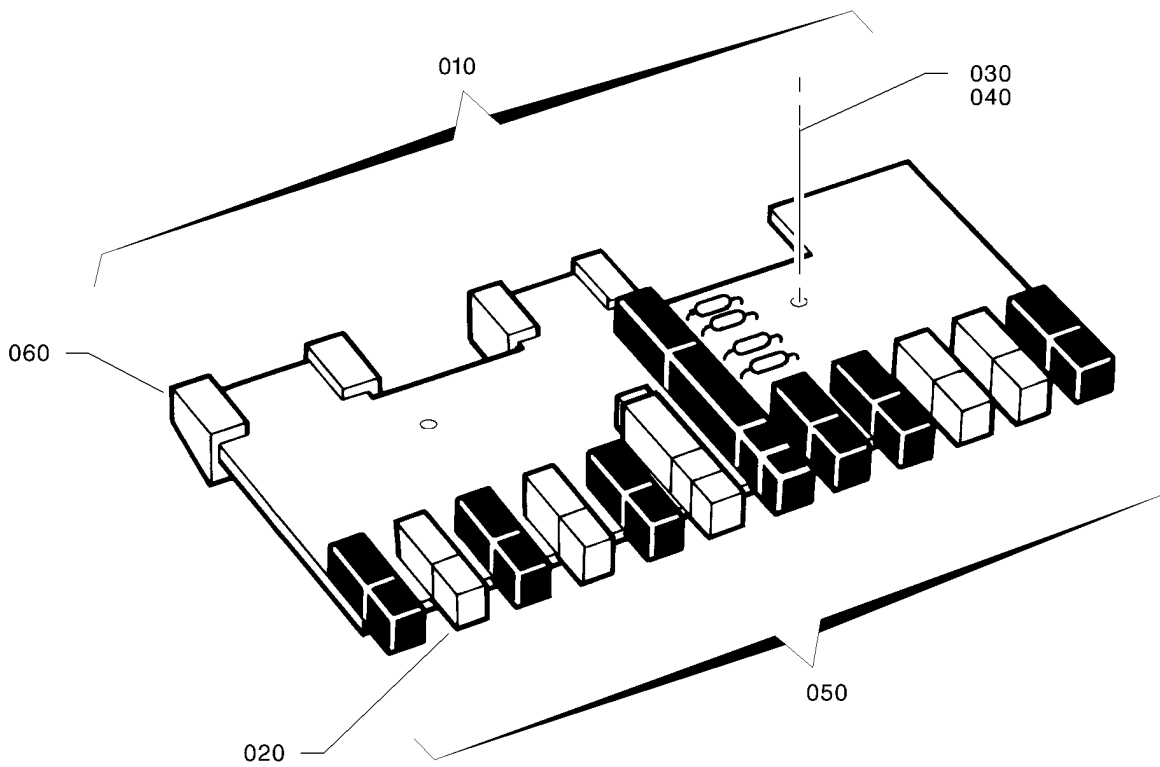
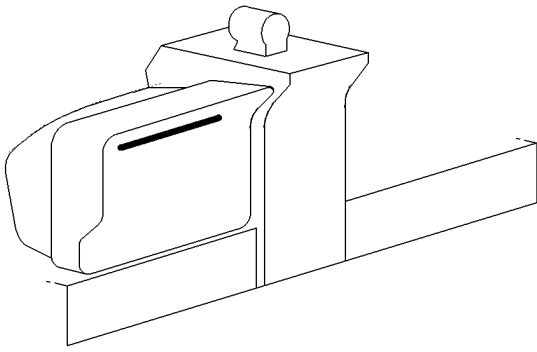
31-50-00

FIG. 1

PAGE 1 R

NOV 30/18

S/N 1 - 9999



14315001AAABVZ4300

VISUAL ALARM PANEL
FIGURE 1

31-50-01

FIG. 1
PAGE 0 R

NOV 30/18

FIG.ITEM	PART NUMBER	1234567 	NOMENCLATURE	EFFECT FROM TO	UNITS PER ASSY	OBS
1 - 1	TB31-50-01-01-001		VISUAL ALARM PANEL		RF	
10	TB10 61035002		.WARNING LIGHT PANEL ASSY NOT VALID FOR ENGLISH-SPEAKING COUNTRIES FOR MOD. 171 APPLICATION, REFER TO SB 10-134-28 (KIT OPT10 C866 03) RPLD BY TB20 61053000		1	OR
- 10A	TB20 61053000		.WARNING LIGHT PANEL ASSY NOT VALID FOR ENGLISH-SPEAKING COUNTRIES FOR MOD. 171 APPLICATION, REFER TO SB 10-134-28 (KIT OPT10 C866 03) RPLS TB10 61035002		1	R
- 10B	TB10 61035003		.WARNING LIGHT PANEL ASSY ENGLISH-SPEAKING COUNTRIES FOR MOD. 171 APPLICATION, REFER TO SB 10-134-28 (KIT OPT10 C866 03) RPLD BY TB20 61053002		1	OR R
- 10C	TB20 61053002		.WARNING LIGHT PANEL ASSY ENGLISH-SPEAKING COUNTRIES FOR MOD. 171 APPLICATION, REFER TO SB 10-134-28 (KIT OPT10 C866 03) RPLS TB10 61035003		1	
20	7445712816		..LAMP OPT TO 2808-12V MADE BY VD8036 VARIANT		10	R
- 20A	7445040934		..LAMP OPT TO 285-5014 MADE BY VF5697 VARIANT		10	R
30	5102967075		ATTACHING PARTS ..BOLT OPT TO NFE27311H40Q10CCU MADE BY VF0110		2	NP R
40	5421465159		..ANCHOR NUT, TWO LUG OPT TO 4G109M MADE BY VF0224 RPLD BY 5425218040		2	R
- 40A	5425218040		..ANCHOR NUT, TWO LUG, FLOATING OPT TO 4SF5009M MADE BY VF0224 RPLS 5421465159		2	R
50	TB20 61053001		..PRINTED LENS ASSY NOT VALID FOR ENGLISH-SPEAKING COUNTRIES VARIANT		1	R

- ITEM NOT ILLUSTRATED

31-50-01

FIG. 1

PAGE 1

NOV 30/18

FIG.ITEM	PART NUMBER	NOMENCLATURE	EFFECT FROM TO	UNITS PER ASSY	OBS
1 - 50A	TB10 61035004	1234567 ..PRINTED LENS ASSY NOT VALID FOR ENGLISH-SPEAKING COUNTRIES VARIANT		1	R
- 50B	TB20 61053003	..PRINTED LENS ASSY ENGLISH-SPEAKING COUNTRIES		1	R
60	OPT10 917700	..PRINTED CIRCUIT CONNECTORS LOCKING KIT POST-SB 10-053-31 * * *		1	

- ITEM NOT ILLUSTRATED

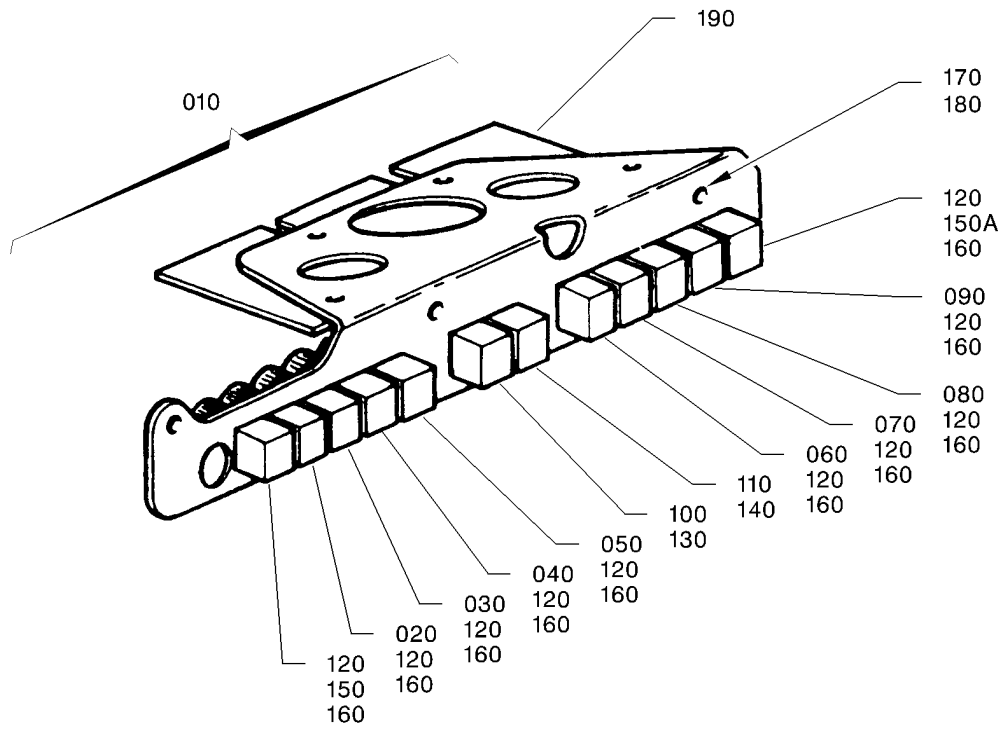
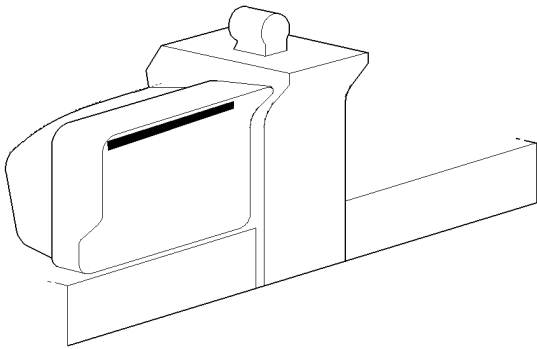
31-50-01

FIG. 1

PAGE 2

NOV 30/18

PAGE INTENTIONALLY BLANK



14315001AAAAYZ4402

VISUAL ALARM PANEL
FIGURE 1A

31-50-01

FIG. 1A
PAGE 0 R

NOV 30/18

FIG. ITEM	PART NUMBER	1234567 	NOMENCLATURE	EFFECT FROM TO	UNITS PER ASSY	OBS
1A- 1	TB31-50-01-01A-001		VISUAL ALARM PANEL		RF	
10	TB10 61042003		.WARNING LIGHT PANEL ASSY NOT VALID FOR ENGLISH-SPEAKING COUNTRIES FOR MOD. 171 APPLICATION, REFER TO SB 10-134-28 (KIT OPT10 C866 03)		1	
- 10A	TB10 61042004		.WARNING LIGHT PANEL ASSY ENGLISH-SPEAKING COUNTRIES FOR MOD. 171 APPLICATION, REFER TO SB 10-134-28 (KIT OPT10 C866 03)		1	
20	TB10 61042106		.. "GENE" LIGHT LENS NOT VALID FOR ENGLISH-SPEAKING COUNTRIES		1	
- 20A	TB10 61042206		.. "ALT" LIGHT LENS ENGLISH-SPEAKING COUNTRIES		1	
30	TB10 61042107		.. "ROBINET" LIGHT LENS NOT VALID FOR ENGLISH-SPEAKING COUNTRIES		1	
- 30A	TB10 61042207		.. "FUEL COCK" LIGHT LENS ENGLISH-SPEAKING COUNTRIES		1	
40	TB10 61042108		.. "PARK" LIGHT LENS NOT VALID FOR ENGLISH-SPEAKING COUNTRIES		1	
- 40A	TB10 61042208		.. "PARK" LIGHT LENS ENGLISH-SPEAKING COUNTRIES		1	
50	TB10 61042109		.. "PRESS HUILE" LIGHT LENS NOT VALID FOR ENGLISH-SPEAKING COUNTRIES		1	
- 50A	TB10 61042209		.. "OIL PRESS" LIGHT LENS ENGLISH-SPEAKING COUNTRIES		1	
60	TB10 61042110		.. "POMPE" LIGHT LENS NOT VALID FOR ENGLISH-SPEAKING COUNTRIES		1	
- 60A	TB10 61042210		.. "FUEL PUMP" LIGHT LENS ENGLISH-SPEAKING COUNTRIES		1	
70	TB10 61042111		.. "PITOT" LIGHT LENS NOT VALID FOR ENGLISH-SPEAKING COUNTRIES		1	
- 70A	TB10 61042211		.. "PITOT HEAT" LIGHT LENS ENGLISH-SPEAKING COUNTRIES		1	
80	TB10 61042112		.. "PHARE ROUL" LIGHT LENS NOT VALID FOR ENGLISH-SPEAKING COUNTRIES		1	
- 80A	TB10 61042212		.. "TAXI LIGHT" LIGHT LENS ENGLISH-SPEAKING COUNTRIES		1	

- ITEM NOT ILLUSTRATED

31-50-01

FIG. 1A

PAGE 1 R

NOV 30/18

S/N 588 - 822, 850 - 887, 889 - 947

FIG.ITEM	PART NUMBER	NOMENCLATURE		EFFECT FROM TO	UNITS PER ASSY	OBS
		1234567 				
1A 90	TB10 61042113	..	"PHARE ATT" LIGHT LENS NOT VALID FOR ENGLISH-SPEAKING COUNTRIES		1	
- 90A	TB10 61042213	..	"LDG LIGHT" LIGHT LENS ENGLISH-SPEAKING COUNTRIES		1	
100	TB10 61042116	..	"TEST" LIGHT LENS NOT VALID FOR ENGLISH-SPEAKING COUNTRIES		1	
-100A	TB10 61042216	..	"TEST" LIGHT LENS ENGLISH-SPEAKING COUNTRIES		1	
110	TB10 61042117	..	"JOUR/NUIT" LIGHT LENS NOT VALID FOR ENGLISH-SPEAKING COUNTRIES		1	
-110A	TB10 61042217	..	"DAY/NIGHT" LIGHT LENS ENGLISH-SPEAKING COUNTRIES		1	
120	7922044007	..	WARNING LIGHT CASING VF5697		10	
130	7083044002	..	PUSHBUTTON CASING (TEST) VF5697 OPT TO 51152-015 MADE BY VF5697		1	
140	7083045200	..	PUSHBUTTON CASING VF5697 (DAY/NIGHT) OPT TO 51282-15 MADE BY VF5697		1	
150	7116040903	..	RED BUTTON VF5697 OPT TO 51953-2 ROUGE MADE BY VF5697		AR	
150A	7116040904	..	GREEN BUTTON VF5697 OPT TO 51953-5 VERTE MADE BY VF5697		AR	
-150B	7116040905	..	ORANGE BUTTON VF5697 OPT TO 51953-3 ORANGE MADE BY VF5697		AR	
160	7445712816	..	LAMP VD8036 OPT TO 2808-12V MADE BY VD8036 VARIANT		10	
-160A	7445040934	..	LAMP VF5697 OPT TO 285-5014 MADE BY VF5697 VARIANT		10	
170	5102967075	..	BOLT VF0110 OPT TO NFE27311H40Q10CCU MADE BY VF0110		2	
180	5421465159	..	ANCHOR NUT, TWO LUG OPT TO 4G109M MADE BY VF0224 RPLD BY 5425218040		2	R
-180A	5425218040	..	ANCHOR NUT, TWO LUG, VF0224 FLOATING OPT TO 4SF5009M MADE BY VF0224 RPLS 5421465159		2	

- ITEM NOT ILLUSTRATED

31-50-01

FIG. 1A

PAGE 2

NOV 30/18

FIG.ITEM	PART NUMBER	NOMENCLATURE	EFFECT FROM TO	UNITS PER ASSY	OBS
1A 190	OPT10 917800	1234567 ..PRINTED CIRCUIT CONNECTORS LOCKING KIT POST-SB 10-053-31 * * *		1	

- ITEM NOT ILLUSTRATED

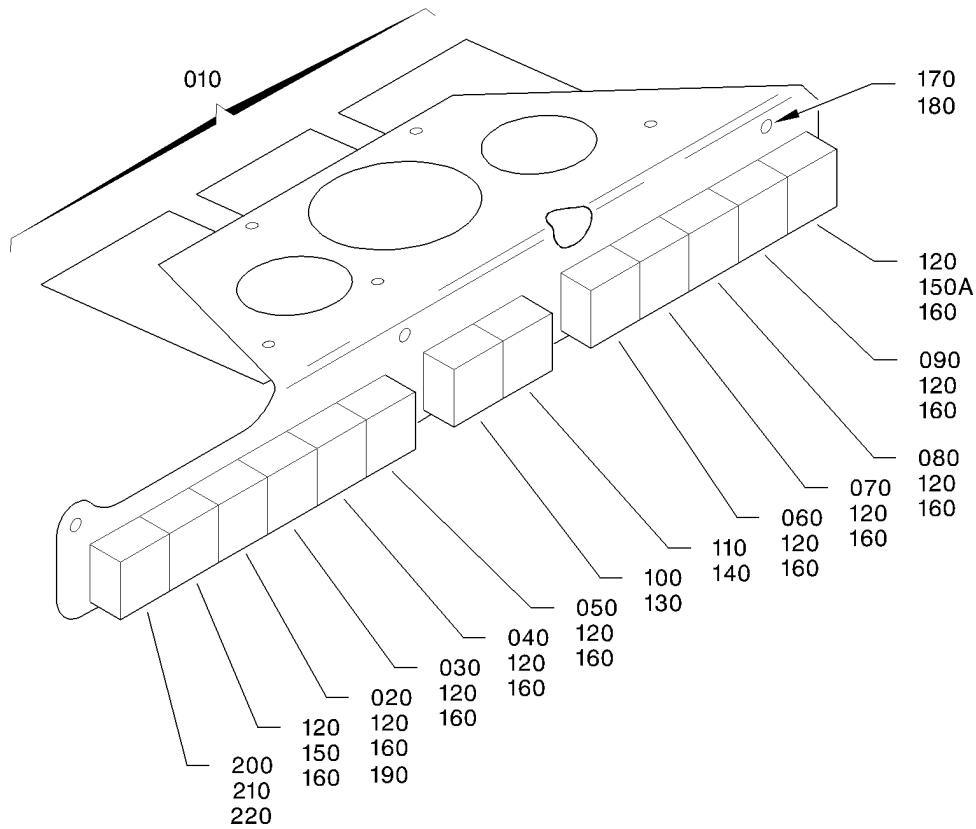
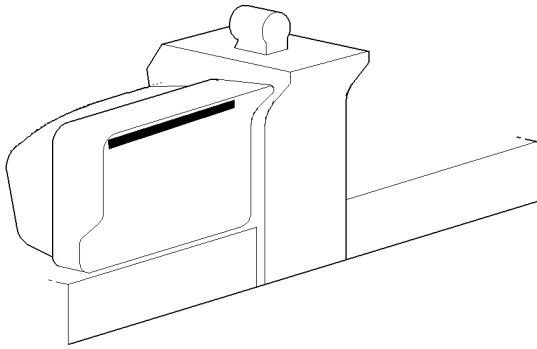
31-50-01

FIG. 1A

PAGE 3 R

NOV 30/18

S/N 588 - 822, 850 - 887, 889 - 947



14315001AAAAZY14301

VISUAL ALARM PANEL
FIGURE 1B

31-50-01

FIG. 1B

PAGE 0 R

NOV 30/18

FIG. ITEM	PART NUMBER	1234567 	NOMENCLATURE	EFFECT FROM TO	UNITS PER ASSY	OBS
1B- 1	TB31-50-01-01B-001		VISUAL ALARM PANEL		RF	
10	TB20 61222000		.WARNING LIGHT PANEL ASSY NOT VALID FOR ENGLISH-SPEAKING COUNTRIES FOR MOD. 171 APPLICATION, REFER TO SB 10-134-28 (KIT OPT10 C866 03) RPLD BY TB20 61222004		1	OR
- 10A	TB20 61222002		.WARNING LIGHT PANEL ASSY ENGLISH-SPEAKING COUNTRIES FOR MOD. 171 APPLICATION, REFER TO SB 10-134-28 (KIT OPT10 C866 03) RPLD BY TB20 61222005		1	
- 10B	TB20 61222004		.WARNING LIGHT PANEL ASSY NOT VALID FOR ENGLISH-SPEAKING COUNTRIES FOR MOD. 171 APPLICATION, REFER TO SB 10-134-28 (KIT OPT10 C866 03) RPLS TB20 61222000		1	OR
- 10C	TB20 61222005		.WARNING LIGHT PANEL ASSY ENGLISH-SPEAKING COUNTRIES FOR MOD. 171 APPLICATION, REFER TO SB 10-134-28 (KIT OPT10 C866 03) RPLS TB20 61222002		1	
20	TB10 61042106		.. "GENE" LIGHT LENS NOT VALID FOR ENGLISH-SPEAKING COUNTRIES		1	
- 20A	TB10 61042206		.. "ALT" LIGHT LENS ENGLISH-SPEAKING COUNTRIES		1	
30	TB10 61042107		.. "ROBINET" LIGHT LENS NOT VALID FOR ENGLISH-SPEAKING COUNTRIES		1	
- 30A	TB10 61042207		.. "FUEL COCK" LIGHT LENS ENGLISH-SPEAKING COUNTRIES		1	
40	TB10 61042108		.. "PARK" LIGHT LENS NOT VALID FOR ENGLISH-SPEAKING COUNTRIES		1	
- 40A	TB10 61042208		.. "PARK" LIGHT LENS ENGLISH-SPEAKING COUNTRIES		1	
50	TB10 61042109		.. "PRESS HUILE" LIGHT LENS NOT VALID FOR ENGLISH-SPEAKING COUNTRIES		1	
- 50A	TB10 61042209		.. "OIL PRESS" LIGHT LENS ENGLISH-SPEAKING COUNTRIES		1	

- ITEM NOT ILLUSTRATED

31-50-01

FIG. 1B

PAGE 1 R

NOV 30/18

FIG.ITEM	PART NUMBER	NOMENCLATURE		EFFECT FROM TO	UNITS PER ASSY	OBS
		1234567 				
1B 60	TB10 61042110	..	"POMPE" LIGHT LENS NOT VALID FOR ENGLISH-SPEAKING COUNTRIES		1	
- 60A	TB10 61042210	..	"FUEL PUMP" LIGHT LENS ENGLISH-SPEAKING COUNTRIES		1	
70	TB10 61042111	..	"PITOT" LIGHT LENS NOT VALID FOR ENGLISH-SPEAKING COUNTRIES		1	
- 70A	TB10 61042211	..	"PITOT HEAT" LIGHT LENS ENGLISH-SPEAKING COUNTRIES		1	
80	TB10 61042112	..	"PHARE ROUL" LIGHT LENS NOT VALID FOR ENGLISH-SPEAKING COUNTRIES		1	
- 80A	TB10 61042212	..	"TAXI LIGHT" LIGHT LENS ENGLISH-SPEAKING COUNTRIES		1	
90	TB10 61042113	..	"PHARE ATT" LIGHT LENS NOT VALID FOR ENGLISH-SPEAKING COUNTRIES		1	
- 90A	TB10 61042213	..	"LDG LIGHT" LIGHT LENS ENGLISH-SPEAKING COUNTRIES		1	
100	TB10 61042116	..	"TEST" LIGHT LENS NOT VALID FOR ENGLISH-SPEAKING COUNTRIES		1	
-100A	TB10 61042216	..	"TEST" LIGHT LENS ENGLISH-SPEAKING COUNTRIES		1	
110	TB10 61042117	..	"JOUR/NUIT" LIGHT LENS NOT VALID FOR ENGLISH-SPEAKING COUNTRIES		1	
-110A	TB10 61042217	..	"DAY/NIGHT" LIGHT LENS ENGLISH-SPEAKING COUNTRIES		1	
120	7922044007	..	WARNING LIGHT CASING VF5697		10	
130	7083044002	..	PUSHBUTTON CASING (TEST) VF5697 OPT TO 51152-015 MADE BY VF5697		1	
140	7083045200	..	PUSHBUTTON CASING VF5697 (DAY/NIGHT) OPT TO 51282-15 MADE BY VF5697		1	
150	7116040903	..	RED BUTTON VF5697 OPT TO 51953-2 ROUGE MADE BY VF5697		AR	
150A	7116040904	..	GREEN BUTTON VF5697 OPT TO 51953-5 VERTE MADE BY VF5697		AR	
-150B	7116040905	..	ORANGE BUTTON VF5697 OPT TO 51953-3 ORANGE MADE BY VF5697		AR	
160	7445040974	..	LAMP VF5697 OPT TO 28550-28V MADE BY VF5697		10	

- ITEM NOT ILLUSTRATED

31-50-01

FIG. 1B

PAGE 2 R

NOV 30/18

FIG. ITEM	PART NUMBER	1234567 	NOMENCLATURE	EFFECT FROM TO	UNITS PER ASSY	OBS
1B			ATTACHING PARTS			
170	5102967075		.BOLT VF0110 OPT TO NFE27311H40Q10CCU MADE BY VF0110		2	
180	5421465159		.ANCHOR NUT, TWO LUG OPT TO 4G109M MADE BY VF0224 * * *		2	R
190	TB10 61042007		."ALT" RED CAP OPTION		1	
200	6001707220		.WARNING LIGHT + "RED" VF5697 BUTTON OPT TO 51953-2 MADE BY VF5697 OPTION		1	
210	7922044007		.WARNING LIGHT CASING VF5697 OPTION		1	
220	7445040974		.LAMP VF5697 OPT TO 28550-28V MADE BY VF5697 OPTION		1	

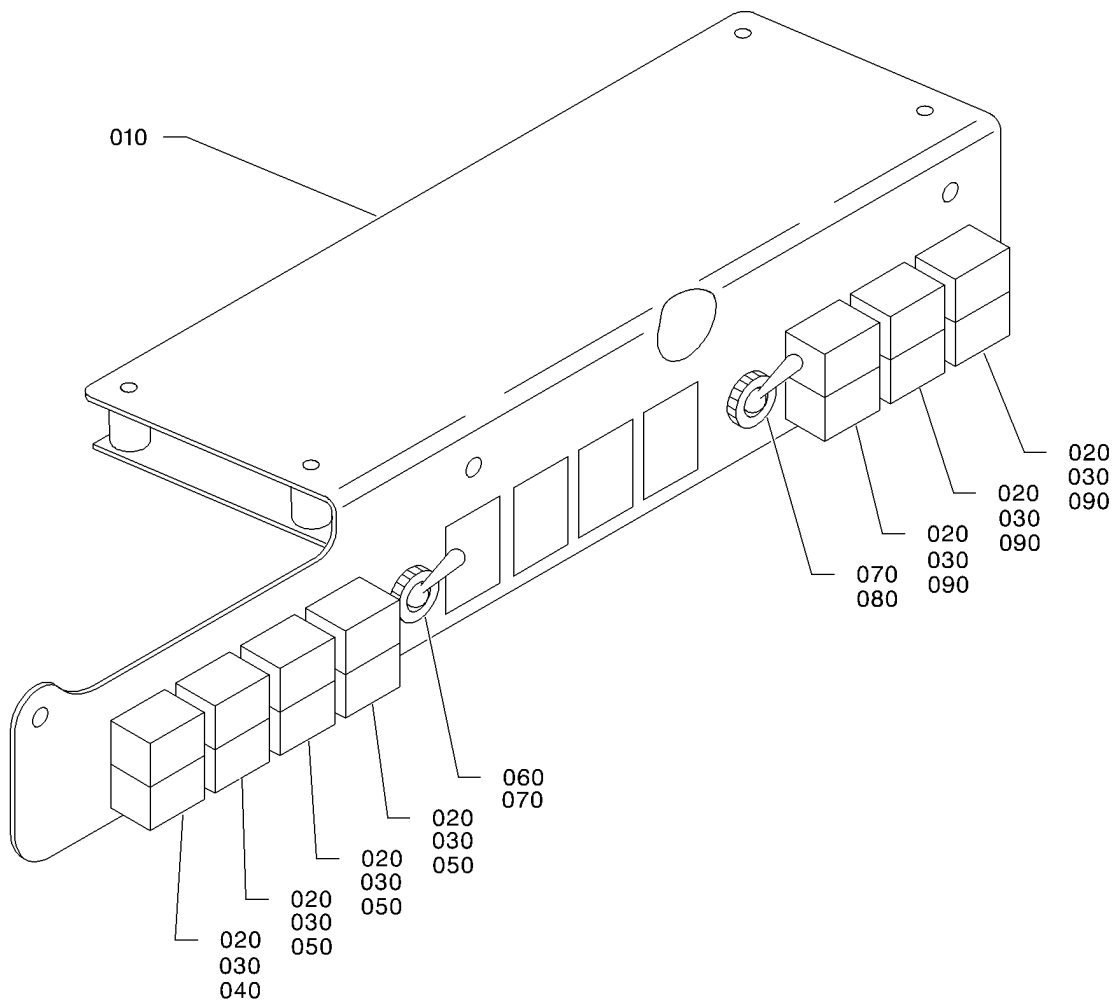
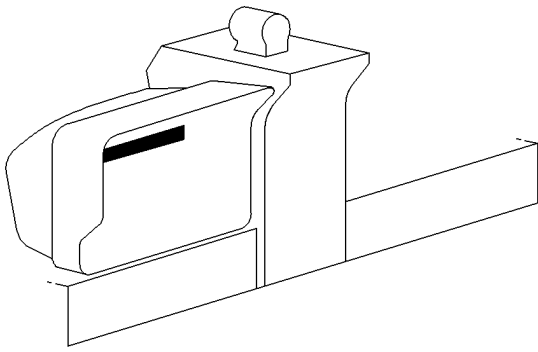
- ITEM NOT ILLUSTRATED

31-50-01

FIG. 1B

PAGE 3

NOV 30/18



K315001AAHWZ4400

VISUAL ALARM PANEL
FIGURE 1C

31-50-01

FIG. 1C

PAGE 0 R

NOV 30/18

FIG.ITEM	PART NUMBER	NOMENCLATURE	EFFECT FROM TO	UNITS PER ASSY	OBS
		1234567 			
1C- 1	TB31-50-01-01C-001	VISUAL ALARM PANEL		RF	
10	TB20 61285000	.WARNING LIGHT PANEL ASSY		1	
20	7922041040	..WARNING LIGHT		7	
30	7445040974	..LAMP VF5697 OPT TO 28550-28V MADE BY VF5697		14	
40	7116040014	..COVER		1	
50	7116040002	..BICOLORED COVER		3	
60	7388070014	..SWITCH		1	
70	7228070131	..KNURLED NUT		2	
80	7388076354	..SWITCH		1	
90	7116040005	..BICOLORED COVER		3	

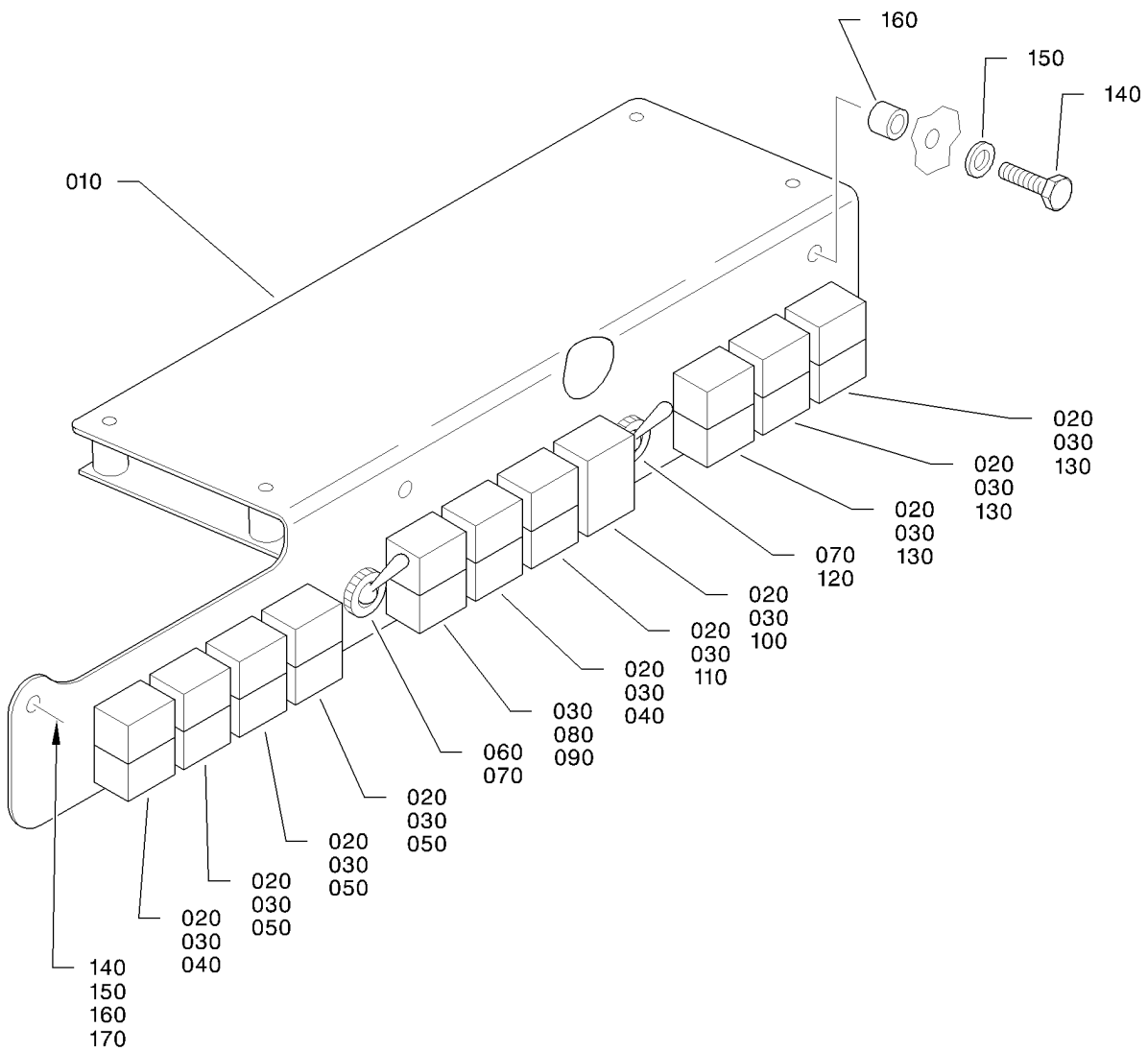
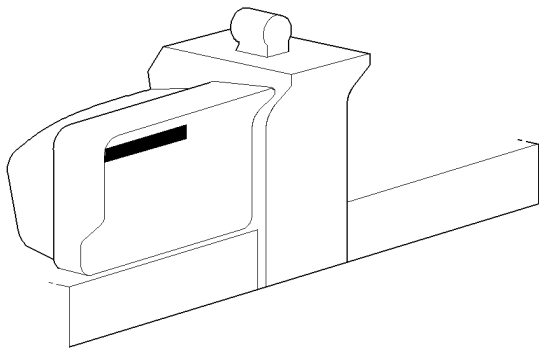
- ITEM NOT ILLUSTRATED

31-50-01

FIG. 1C

PAGE 1 R

NOV 30/18



14315001AAA0VZ4300

VISUAL ALARM PANEL
FIGURE 1D

31-50-01

FIG. 1D

PAGE 0 R

NOV 30/18

FIG.ITEM	PART NUMBER	1234567 	NOMENCLATURE	EFFECT FROM TO	UNITS PER ASSY	OBS
1D- 1	TB31-50-01-01D-001		VISUAL ALARM PANEL		RF	
10	TB20 6178101000		..ADVISORY PANEL		1	
20	7922041040		..WARNING LIGHT		10	
30	7445040974		..LAMP OPT TO 28550-28V MADE BY VF5697		22	R
40	7116040014		..COVER		2	
50	7116040002		..BICOLORED COVER		3	
60	7388070014		..SWITCH		1	
70	7228070131		..KNURLED NUT		2	
80	7083041262		..PUSHBUTTON		1	
90	7116040006		..BICOLORED COVER		1	
100	7116040045		..COVER		1	
110	7116040003		..COVER		1	
120	7388076354		..SWITCH		1	
130	7116040005		..BICOLORED COVER ATTACHING PARTS		3	
140	5102953086		..BOLT OPT TO NFE27311H40Q16AGUL MADE BY VF0110		3	R
150	5701039160		..WASHER OPT TO NFL23111AD040L MADE BY VF0111		3	R
160	5703036160		..WASHER OPT TO 23119AD040L MADE BY VF0111		3	R
170	5401458159		..NUT OPT TO E25412B40QQVAL MADE BY VF0110 SUPSD BY 5414468159		1	R
-170A	5414468159		..NUT OPT TO 4PH135M MADE BY VF0224 SUPSDS 5401458159 * * *		1	R

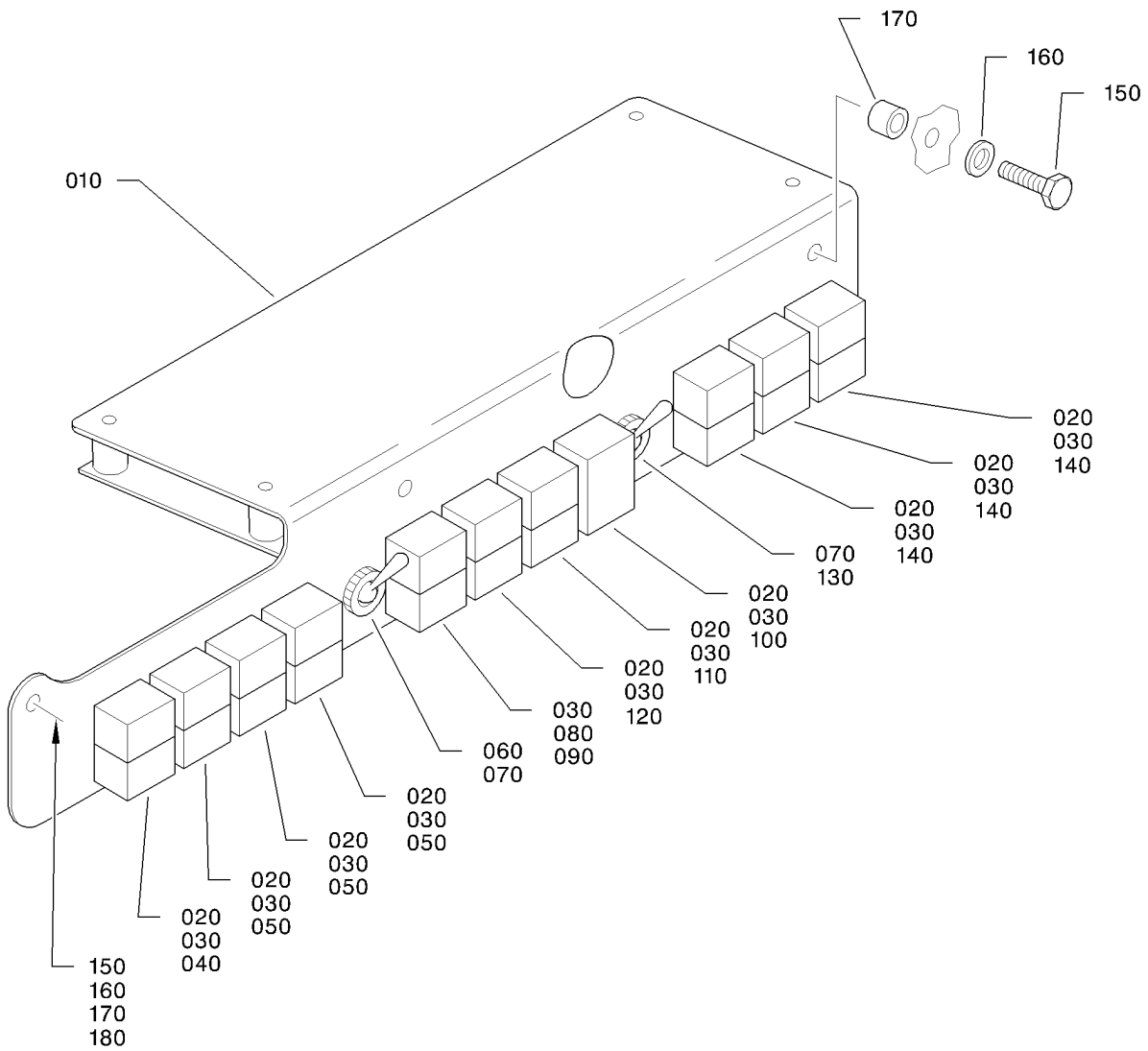
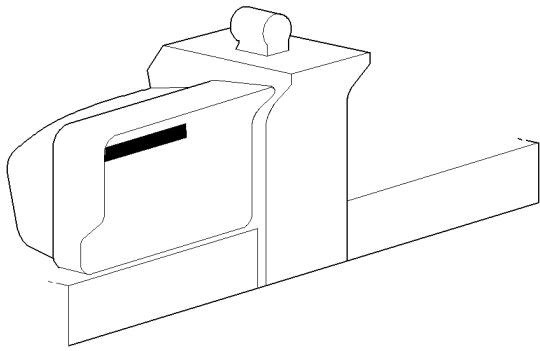
- ITEM NOT ILLUSTRATED

31-50-01

FIG. 1D

PAGE 1

NOV 30/18



14315001AAA0VZ4400

VISUAL ALARM PANEL
FIGURE 1E

31-50-01

FIG. 1E

PAGE 0 R

NOV 30/18

FIG.ITEM	PART NUMBER	NOMENCLATURE	EFFECT FROM TO	UNITS PER ASSY	OBS
		1234567 			
1E- 1	TB31-50-01-01E-001	VISUAL ALARM PANEL		RF	
10	TB20 6178101200	.ADVISORY PANEL		1	
20	7922041040	..WARNING LIGHT		10	
30	7445040974	..LAMP OPT TO 28550-28V MADE BY VF5697		22	R
40	7116040004	..COVER		1	
50	7116040002	..BICOLORED COVER		3	
60	7388070014	..SWITCH		1	
70	7228070131	..KNURLED NUT		2	
80	7083041262	..PUSHBUTTON		1	
90	7116040006	..BICOLORED COVER		1	
100	7116040045	..COVER		1	
110	7116040003	..COVER		1	
120	7116040014	..COVER		1	
130	7388076354	..SWITCH		1	
140	7116040005	..BICOLORED COVER ATTACHING PARTS		3	
150	5102953086	..BOLT OPT TO NFE27311H40Q16AGUL MADE BY VF0110		3	R
160	5701039160	..WASHER OPT TO NFL23111AD040L MADE BY VF0111		3	R
170	5703036160	..WASHER OPT TO 23119AD040L MADE BY VF0111		3	R
180	5401458159	..NUT OPT TO E25412B40QQVAL MADE BY VF0110 SUPSD BY 5414468159		1	R
-180A	5414468159	..NUT OPT TO 4PH135M MADE BY VF0224 SUPSDS 5401458159 * * *		1	R

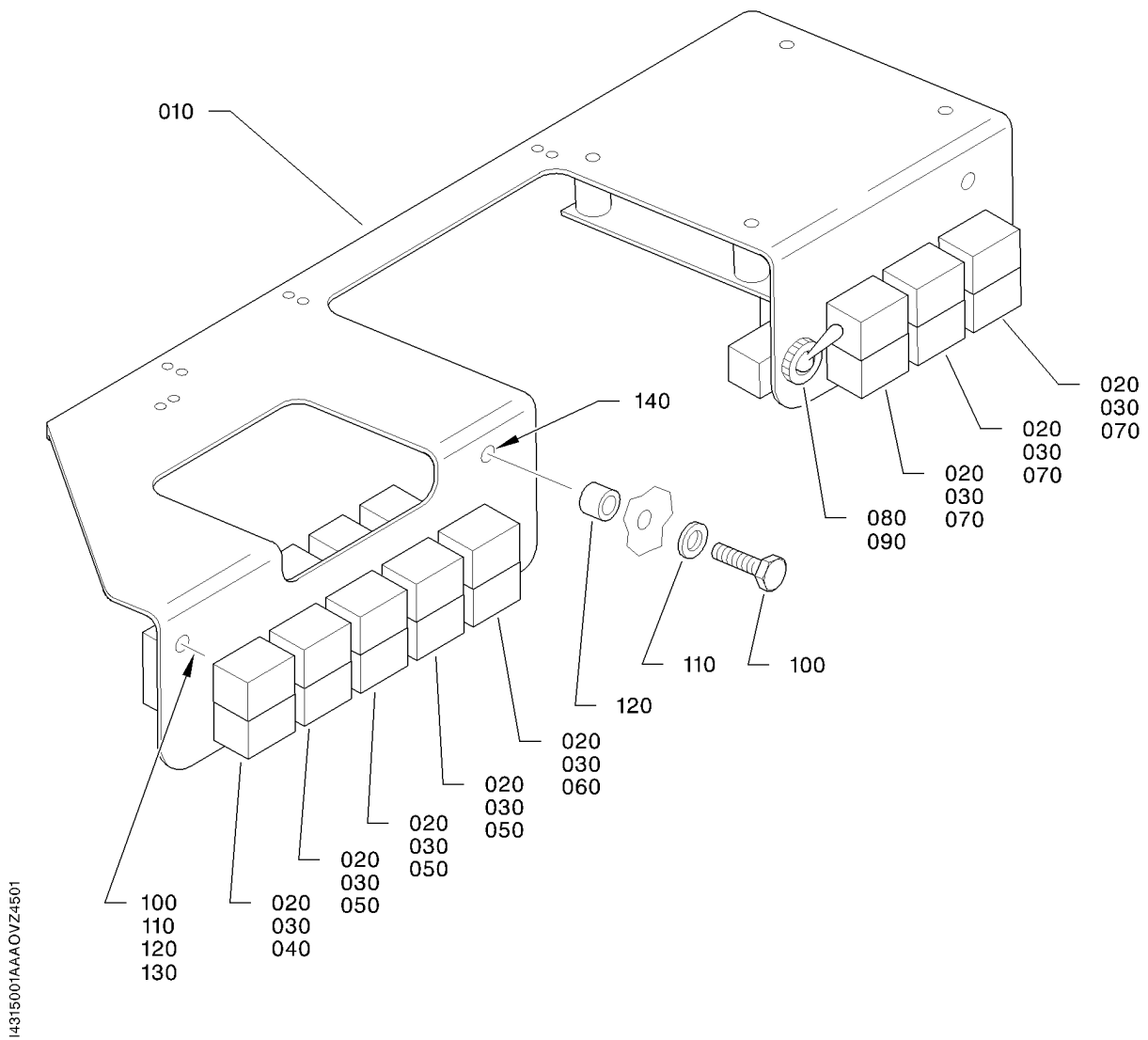
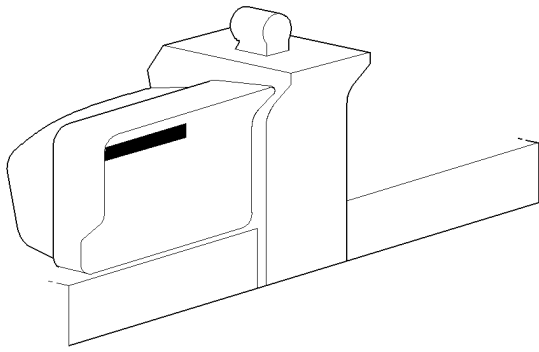
- ITEM NOT ILLUSTRATED

31-50-01

FIG. 1E

PAGE 1

NOV 30/18



VISUAL ALARM PANEL
FIGURE 1F

31-50-01

FIG. 1F

PAGE 0 R

NOV 30/18

FIG. ITEM	PART NUMBER	NOMENCLATURE	EFFECT FROM TO	UNITS PER ASSY	OBS
		1234567 			
1F- 1	TB31-50-01-01F-001	VISUAL ALARM PANEL		RF	
10	TB20 6129600001	..WARNING LIGHT PANEL ASSY		1	
20	7445040974	..LAMP OPT TO 28550-28V MADE BY VF5697		16	R
30	7922041040	..WARNING LIGHT		8	
40	7116040014	..COVER		1	
50	7116040002	..BICOLORED COVER		3	
60	7116040045	..COVER		1	
70	7116040005	..BICOLORED COVER		3	
80	7392070409	..TOGGLE SWITCH		1	
90	7228070131	..KNURLED NUT ATTACHING PARTS		1	
100	5102953086	..BOLT OPT TO NFE27311H40Q16AGUL MADE BY VF0110		4	R
110	5701039160	..WASHER OPT TO NFL23111AD040L MADE BY VF0111		4	R
120	5703036160	..WASHER OPT TO 23119AD040L MADE BY VF0111		4	R
130	5401458159	..NUT OPT TO E25412B40QQVAL MADE BY VF0110 SUPSD BY 5414468159		1	R
-130A	5414468159	..NUT OPT TO 4PH135M MADE BY VF0224 SUPSDS 5401458159		1	R
140	5425218040	..ANCHOR NUT, TWO LUG, FLOATING OPT TO 4SF5009M MADE BY VF0224 * * *		3	R

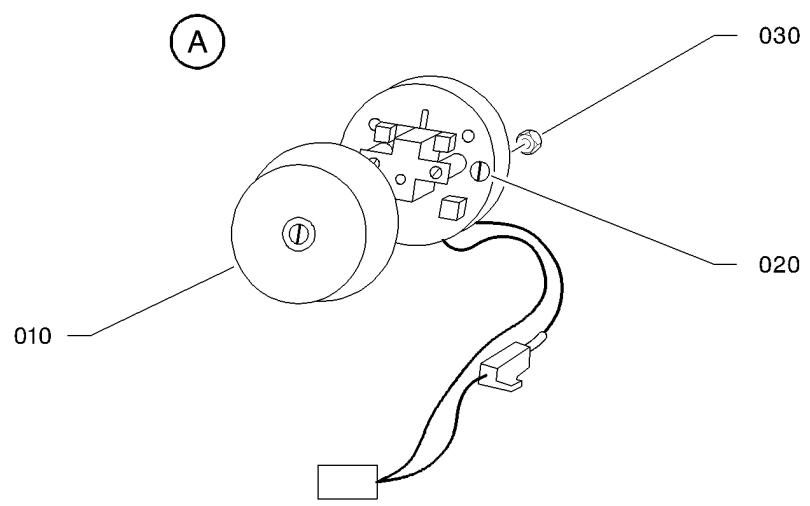
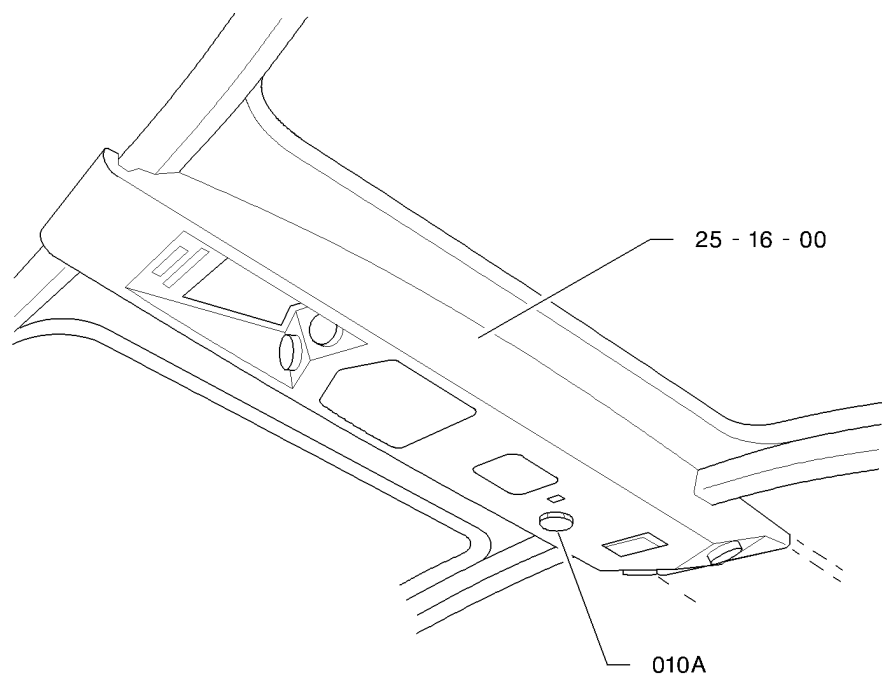
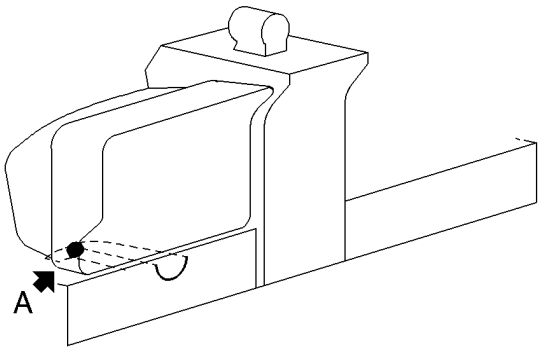
- ITEM NOT ILLUSTRATED

31-50-01

FIG. 1F

PAGE 1

NOV 30/18



I4273004AAAA YZ14400

BUZZER
FIGURE 1

FIG.ITEM	PART NUMBER	1234567 	NOMENCLATURE	EFFECT FROM TO	UNITS PER ASSY	OBS
1 - 1	TF31-50-02-01-001		BUZZER		RF	
10	TB10 61016000		.AURAL STALL WARNING INDICATOR RPLD BY 7011510000		1	OR R
10A	7011510000		.BUZZER OPT TO B/CP28 MADE BY VC1533 ON FIRST REPLACEMENT, ORDER WIRING TB10 61014000 RPLS TB10 61016000 RPLD BY 7011510001		1	R
- 10B	7011510001		.BUZZER OPT TO BCP48 B MADE BY VC1533 RPLS 7011510000 ATTACHING PARTS		1	R
20	5111943164		.SCREW		2	
30	5421218040		.ANCHOR NUT, TWO LUG OPT TO 4SR1009M MADE BY VF0224 * * *		2	R

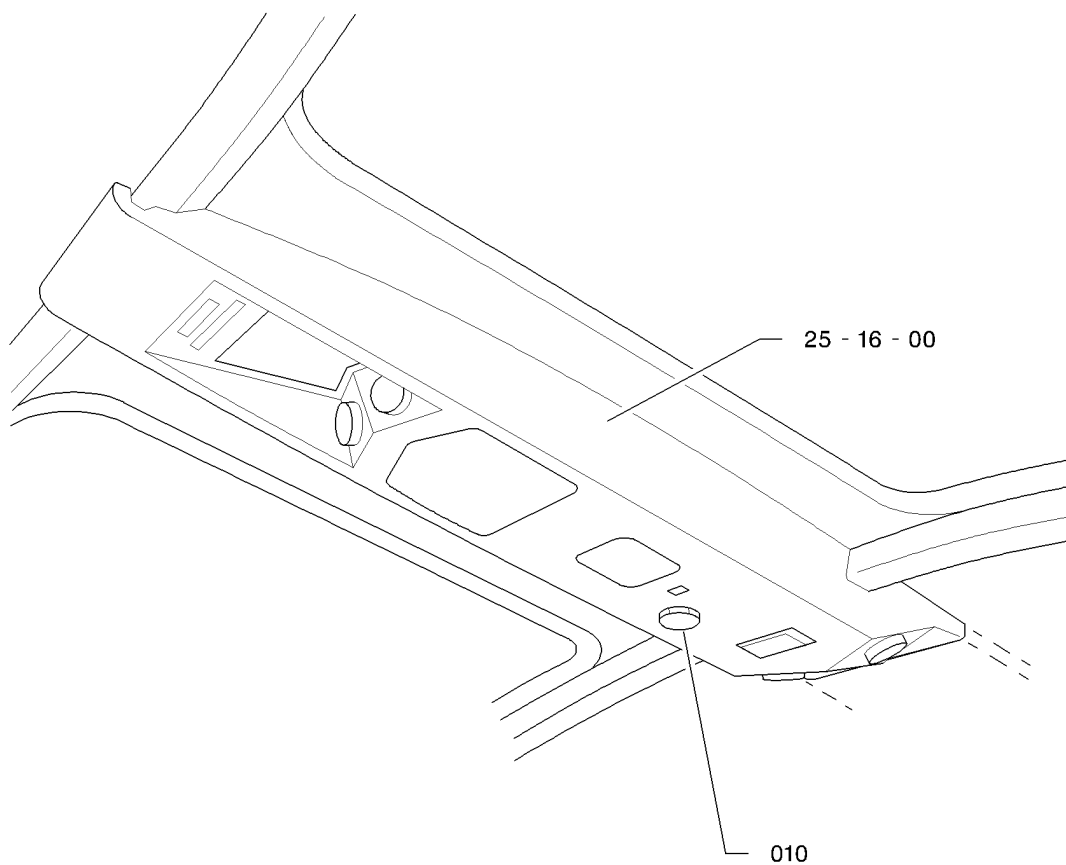
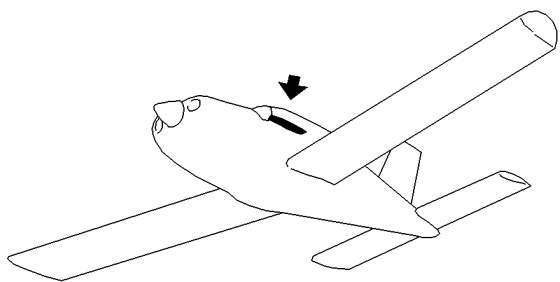
- ITEM NOT ILLUSTRATED

31-50-02

FIG. 1

PAGE 1

NOV 30/18



14273004AAAAYZ4500

BUZZER
FIGURE 1A

31-50-02

FIG. 1A
PAGE 0 R
NOV 30/18

FIG.ITEM	PART NUMBER	1234567 	NOMENCLATURE	EFFECT FROM TO	UNITS PER ASSY	OBS
1A- 1	TF31-50-02-01A-001		BUZZER		RF	
10	7011510000		.BUZZER OPT TO B/CP28 MADE BY VC1533 RPLD BY 7011510001		1	R
- 10A	7011510001		.BUZZER OPT TO BCP48 B MADE BY VC1533 RPLS 7011510000		1	R

- ITEM NOT ILLUSTRATED

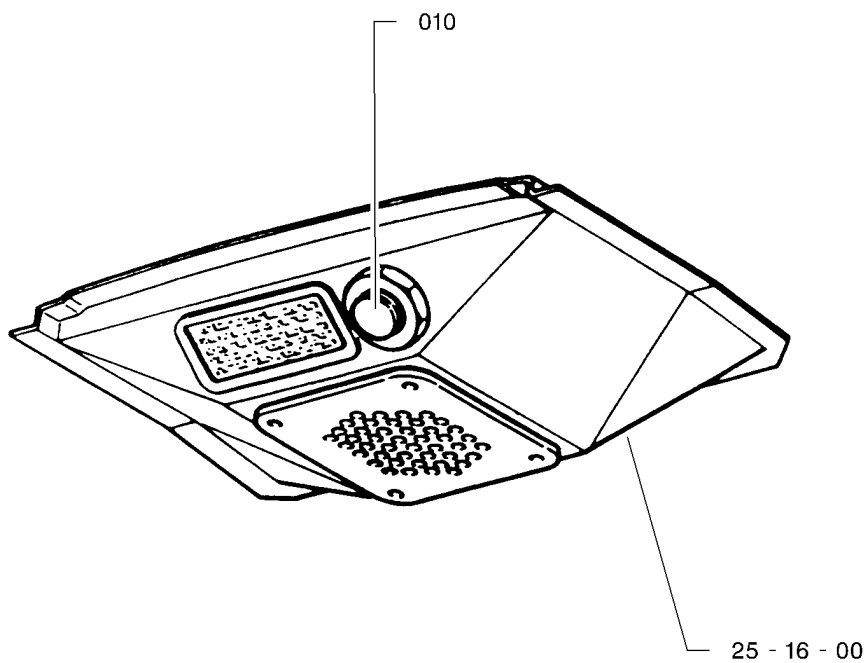
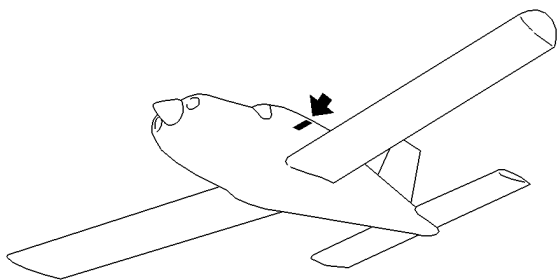
31-50-02

FIG. 1A

PAGE 1

NOV 30/18

S/N 823 - 878



I4315002AAA BUZ4300

BUZZER
FIGURE 1B

FIG.ITEM	PART NUMBER	NOMENCLATURE	EFFECT FROM TO	UNITS PER ASSY	OBS
1B- 1 10	TF31-50-02-01B-001 7011510000	1234567 BUZZER .BUZZER VC1533 OPT TO BCP28 B MADE BY VC1533 RPLD BY 7011510001		RF 1	
- 10A	7011510001	.BUZZER VC1533 OPT TO BCP48 B MADE BY VC1533 RPLS 7011510000		1	

- ITEM NOT ILLUSTRATED

31-50-02

FIG. 1B

PAGE 1 R

NOV 30/18

S/N 765, 879 - 9999

PAGE INTENTIONALLY BLANK