

**MODELS TB**

**33**

**LIGHTS**



CHAPTER 33  
LIGHTS  
LIST OF EFFECTIVE PAGES

CH-SECT	UNIT-FIG	PAGE	DATE	CH-SECT	UNIT-FIG	PAGE	DATE
LEP		1 *	NOV 30/18	33-40-02	1	0 *	NOV 30/18
LEP		2 *	NOV 30/18	33-40-02	1	1 *	NOV 30/18
T0C		1 *	NOV 30/18	33-40-02	1B	0 *	NOV 30/18
T0C		2 *	NOV 30/18	33-40-02	1B	1 *	NOV 30/18
T0C		3 *	NOV 30/18	33-40-02	1C	0 *	NOV 30/18
33-00-00	1	0 *	NOV 30/18	33-40-02	1C	1 *	NOV 30/18
33-00-00	1	1 *	NOV 30/18	33-40-02	2	0 *	NOV 30/18
33-10-00	1	0 *	NOV 30/18	33-40-02	2	1 *	NOV 30/18
33-10-00	1	1 *	NOV 30/18	33-40-02	2A	0 *	NOV 30/18
33-10-00	1	2 *	NOV 30/18	33-40-02	2A	1 *	NOV 30/18
33-10-00	1	3 *	NOV 30/18	33-40-03	1	0 *	NOV 30/18
33-10-00	1A	0 *	NOV 30/18	33-40-03	1	1 *	NOV 30/18
33-10-00	1A	1 *	NOV 30/18	33-40-03	1	2 *	NOV 30/18
33-10-00	1B	0 *	NOV 30/18				
33-10-00	1B	1 *	NOV 30/18				
33-10-00	1B	2 *	NOV 30/18				
33-10-00	1B	3 *	NOV 30/18				
33-10-00	2	0 *	NOV 30/18				
33-10-00	2	1 *	NOV 30/18				
33-10-00	2	2 *	NOV 30/18				
33-10-00	2	3 *	NOV 30/18				
33-10-00	2A	0 *	NOV 30/18				
33-10-00	2A	1 *	NOV 30/18				
33-10-00	3	0 *	NOV 30/18				
33-10-00	3	1 *	NOV 30/18				
33-10-00	3A	0 *	NOV 30/18				
33-10-00	3A	1 *	NOV 30/18				
33-10-00	3B	0 *	NOV 30/18				
33-10-00	3B	1 *	NOV 30/18				
33-10-00	3C	0 *	NOV 30/18				
33-10-00	3C	1 *	NOV 30/18				
33-10-00	5	0 *	NOV 30/18				
33-10-00	5	1 *	NOV 30/18				
33-40-00	1	0 *	NOV 30/18				
33-40-00	1	1 *	NOV 30/18				
33-40-01	1	0 *	NOV 30/18				
33-40-01	1	1 *	NOV 30/18				
33-40-01	1A	0 *	NOV 30/18				
33-40-01	1A	1 *	NOV 30/18				
33-40-01	1B	0 *	NOV 30/18				
33-40-01	1B	1 *	NOV 30/18				

\* THE ASTERISK INDICATES PAGES CHANGED, ADDED OR DELETED

**33 - LIST OF EFFECTIVE PAGES**

PAGE 1

PAGE INTENTIONALLY BLANK

**33 - LIST OF EFFECTIVE PAGES**

PAGE 2

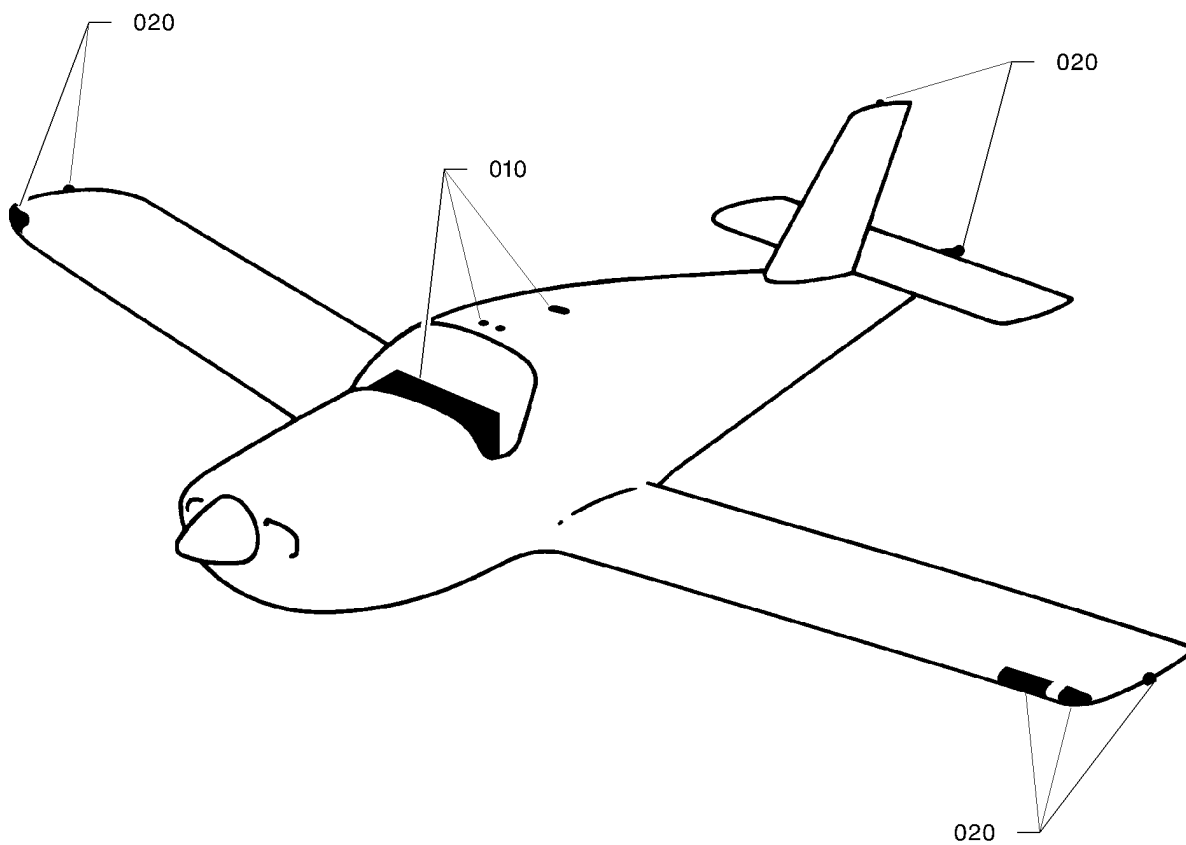
NOV 30/18

CHAPTER 33  
LIGHTS  
TABLE OF CONTENTS

SUBJECT	CHAPTER SECTION FIG. SUBJECT	VALIDITY
LIGHTINGS	33-00	
LIGHTINGS	33-00-00 1	S/N 1 - 9999

SUBJECT	CHAPTER SECTION FIG. SUBJECT	VALIDITY
FLIGHT COMPARTMENT	33-10	
COCKPIT - LIGHTING CONTROL	33-10-00 1	S/N 1 - 764, 766 - 822, 850 - 878 ; S/N 765, 823 - 849, 879 - 1850, SEE OPTION
COCKPIT - LIGHTING CONTROL	33-10-00 1A	SPRINT PRE-MOD. 151
COCKPIT - LIGHTING CONTROL	33-10-00 1B	S/N 1 - 9999 POST-MOD. 151
COCKPIT - INSTRUMENT PANEL	33-10-00 2	S/N 1 - 1850
COCKPIT - INSTRUMENT PANEL	33-10-00 2A	SPRINT
COCKPIT - DOME LIGHTS	33-10-00 3	S/N 1 - 479
COCKPIT - DOME LIGHTS	33-10-00 3A	S/N 480 - 599, 601 - 609
COCKPIT - DOME LIGHTS	33-10-00 3B	S/N 600, 610 - 764, 766 - 822, 850 - 878
COCKPIT - DOME LIGHTS	33-10-00 3C	S/N 1470 - 9999 ; S/N 765, 823 - 849, 879 - 1469, SEE OPTION
COCKPIT - MAP READING LIGHT	33-10-00 5	S/N 1 - 9999 POST-MOD. 151

SUBJECT	CHAPTER SECTION FIG. SUBJECT	VALIDITY
EXTERIOR	33-40	
EXTERNAL TAXI AND LANDING LIGHTS	33-40-00 1	S/N 1 - 9999
TAXI AND LANDING LIGHTS	33-40-01 1	S/N 1 - 764, 766 - 822, 850 - 878
TAXI AND LANDING LIGHTS	33-40-01 1A	S/N 765, 823 - 849, 879 - 1850
TAXI AND LANDING LIGHTS	33-40-01 1B	SPRINT
NAVIGATION LIGHTS	33-40-02 1	LABINAL 14V
NAVIGATION LIGHTS	33-40-02 1B	WHELEN 28V PRE-MOD. 151
STROBE AND NAVIGATION LIGHTS	33-40-02 1C	S/N 1 - 9999 POST-MOD. 151
NAVIGATION LIGHTS	33-40-02 2	S/N 1 - 764, 766 - 822, 850 - 878 ; S/N 765, 823 - 849, 879 - 1850, SEE OPTION
NAVIGATION LIGHTS	33-40-02 2A	SPRINT PRE-MOD. 151
STROBE LIGHT POWER SUPPLY	33-40-03 1	S/N 1 - 9999 POST-MOD. 151



I4330000AAAAAYZ4301

LIGHTINGS  
FIGURE 1

S/N 1 - 9999

**33-00-00**

FIG. 1  
PAGE 0 R  
NOV 30/18

FIG.ITEM	PART NUMBER	NOMENCLATURE	EFFECT FROM TO	UNITS PER ASSY	OBS
1 - 1 10 20	TF33-00-00-01-001 TB33-10-00-01 33-40-00	1234567       LIGHTINGS .COCKPIT .LIGHTS S/N 1 - 764, 766 - 822, 850 - 878 ; S/N 765, 823 - 849, 87S/N 1 - 764, 766 - 822, 850 - 878 ; S/N 765, 823 - 849, 879 - 9999, SEE OPTION		RF 1 1	

- ITEM NOT ILLUSTRATED

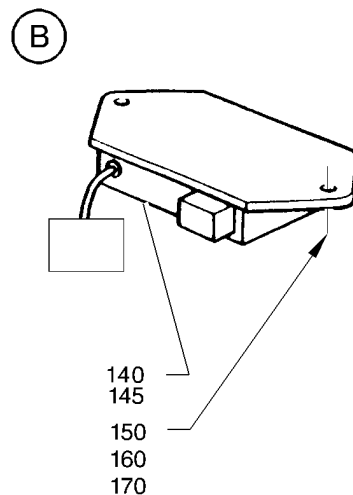
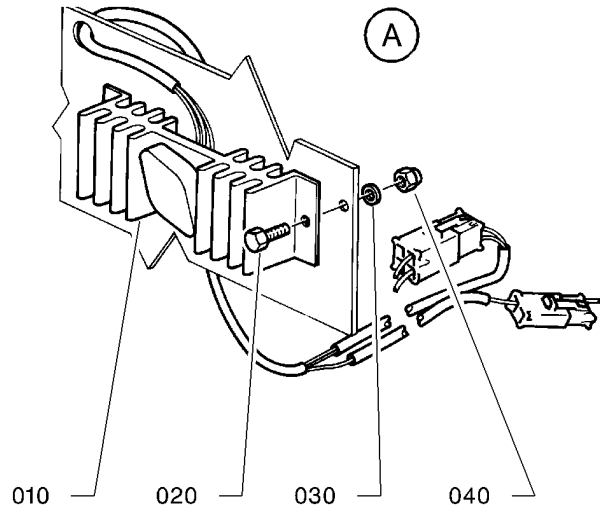
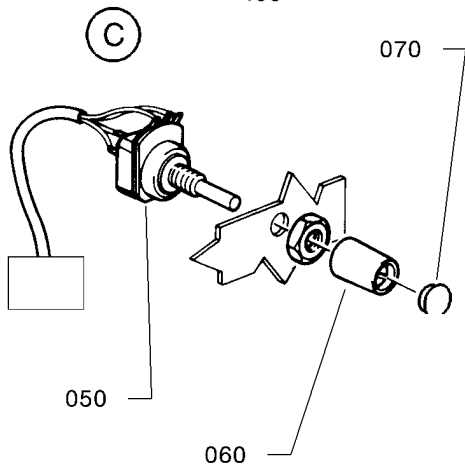
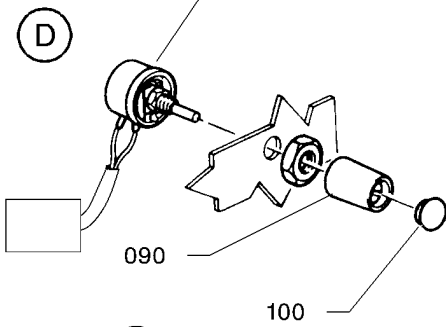
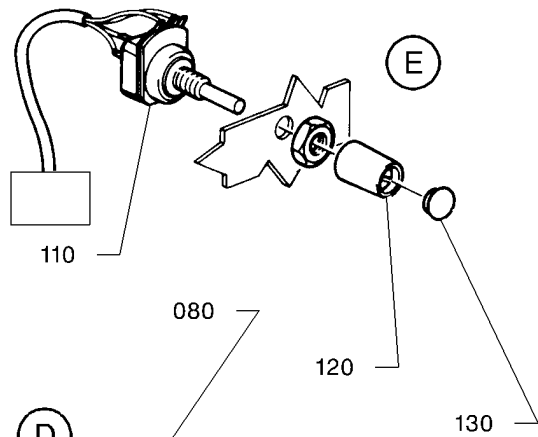
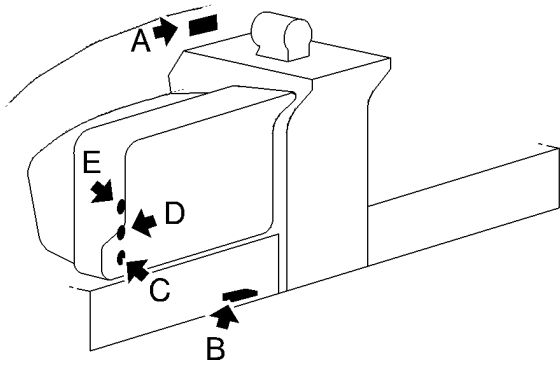
**33-00-00**

FIG. 1

PAGE 1 R

NOV 30/18

S/N 1 - 9999



COCKPIT - LIGHTING CONTROL  
FIGURE 1

**33-10-00**

FIG. 1  
PAGE 0 R

NOV 30/18

S/N 1 - 764, 766 - 822, 850 - 878 ; S/N 765, 823 - 849, 879 - 1850, SEE OPTION

I4331000/AAAD/VZ1301

FIG.ITEM	PART NUMBER	NOMENCLATURE		EFFECT FROM TO	UNITS PER ASSY	OBS
		1234567 				
1 - 1	TF33-10-00-01-001		COCKPIT - LIGHTING CONTROL		RF	
10	TB20 64924004		.DIMMING CONTROL UNIT S/N 731 - 764, 766 - 822, 850 - 878 RPLD BY TB20 64924006 + TB20 64924005		1	OR
- 10A	TB20 64924006		.DIMMING CONTROL UNIT		1	
20	5102953082		ATTACHING PARTS .BOLT OPT TO NFE27311H40Q14AGUL MADE BY VF0110 S/N 731 - 764, 766 - 822, 850 - 878		4	R
30	5701039160		.WASHER OPT TO NFL23111AD040L MADE BY VF0111 S/N 731 - 764, 766 - 822, 850 - 878		4	R
40	5401458159		.NUT OPT TO E25412B40QQVAL MADE BY VF0110 S/N 731 - 764, 766 - 822, 850 - 878 SUPSD BY 5414468159		4	R
- 40A	5414468159		.NUT OPT TO 4PH135M MADE BY VF0224 S/N 731 - 764, 766 - 822, 850 - 878 SUPSDS 5401458159		4	R
50	TB20 64000004		* * * .POTENTIOMETER		1	
60	7083116228		..KNOB		1	
70	7130112252		..CAP		1	
80	TB10 64920001		.POTENTIOMETER S/N 731 - 764, 766 - 822, 850 - 878		1	
90	7083116227		..KNOB S/N 731 - 764, 766 - 822, 850 - 878		1	
100	7130112252		..CAP S/N 731 - 764, 766 - 822, 850 - 878		1	
110	TB20 64924003		.POTENTIOMETER S/N 731 - 764, 766 - 822, 850 - 878 RPLD BY TB20 6492400700		1	OR

- ITEM NOT ILLUSTRATED

**33-10-00**

FIG. 1  
PAGE 1

NOV 30/18

S/N 1 - 764, 766 - 822, 850 - 878 ; S/N 765, 823 - 849, 879 - 1850, SEE OPTION

FIG.ITEM	PART NUMBER	NOMENCLATURE		EFFECT FROM TO	UNITS PER ASSY	OBS
		1234567 				
1 -110A	TB20 64924005	.	POTENTIOMETER RPLD BY TB20 6492400700		1	OR
-110B	TB20 6492400700	.	POTENTIOMETER RPLS TB20 64924005		1	
120	7083116228	..	KN0B S/N 731 - 764, 766 - 822, 850 - 878		1	
130	7130112252	..	CAP S/N 731 - 764, 766 - 822, 850 - 878		1	
140	TB20 64000005	.	INVERTER ASSY		1	
145	6005707232	..	INVERTER OPT TO 18916-213 MADE BY VF0010 ATTACHING PARTS		1	R
150	5102953078	..	BOLT OPT TO E27311H40Q12AGUL MADE BY VF0110		2	R
160	5719061160	..	WASHER OPT TO NFE27618E40AJTL MADE BY VF0111		2	R
170	5421218040	..	ANCHOR NUT, TWO LUG OPT TO 4SR1009M MADE BY VF0224 * * *		2	R

- ITEM NOT ILLUSTRATED

**33-10-00**

FIG. 1  
PAGE 2

S/N 1 - 764, 766 - 822, 850 - 878 ; S/N 765, 823 - 849, 879 - 1850, SEE OPTION NOV 30/18

PAGE INTENTIONALLY BLANK

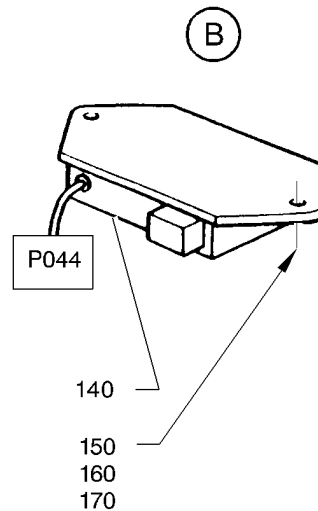
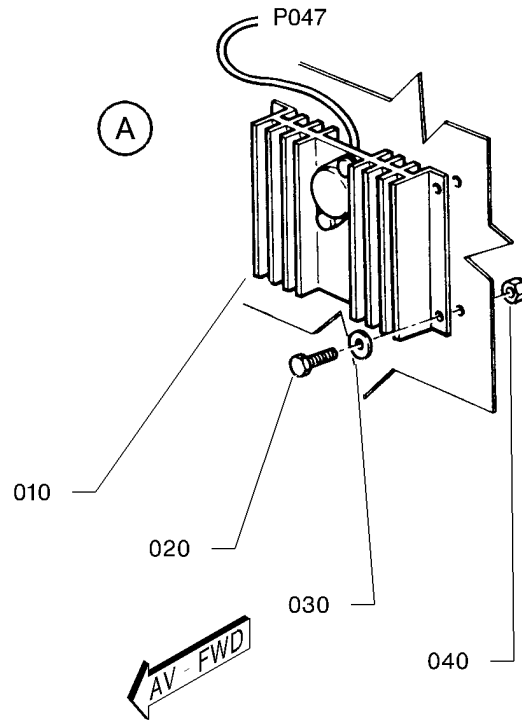
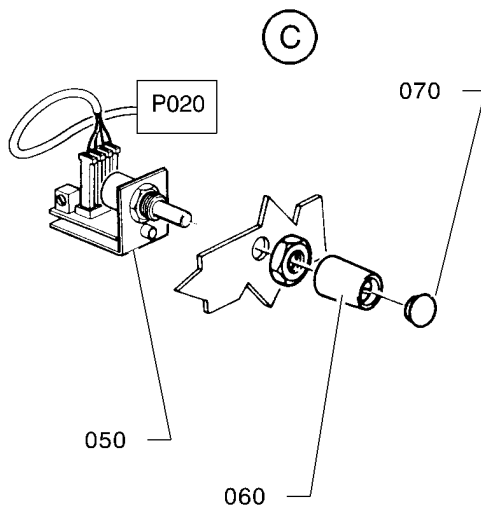
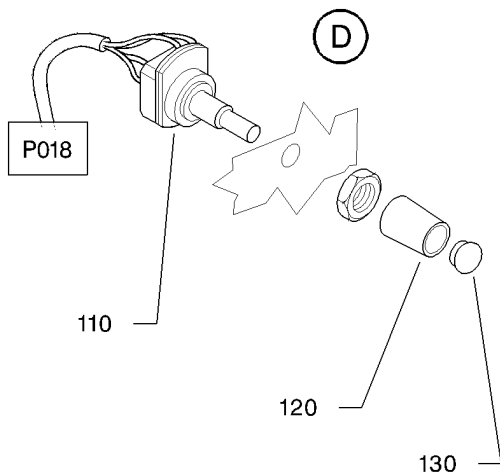
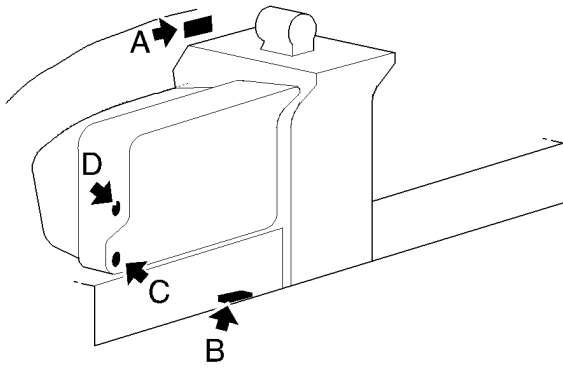
**33-10-00**

FIG. 1

PAGE 3 R

NOV 30/18

S/N 1 - 764, 766 - 822, 850 - 878 ; S/N 765, 823 - 849, 879 - 1850, SEE OPTION



14331000AABCUIZ4300

COCKPIT - LIGHTING CONTROL  
FIGURE 1A

**33-10-00**

FIG. 1A

PAGE 0 R

NOV 30/18

FIG.ITEM	PART NUMBER	1234567 	NOMENCLATURE	EFFECT FROM TO	UNITS PER ASSY	OBS
1A- 1	TF33-10-00-01A-001		COCKPIT - LIGHTING CONTROL		RF	
10	TB20 64208001		.DIMMING CONTROL UNIT VARIANT		1	
- 10A	TB20 6420800700		.DIMMING CONTROL UNIT VARIANT		1	
20	5102953082		ATTACHING PARTS .BOLT		4	R
			OPT TO NFE27311H40Q14AGUL MADE BY VF0110			
30	5701039160		.WASHER		4	R
			OPT TO NFL23111AD040L MADE BY VF0111			
40	5401458159		.NUT		4	R
			OPT TO E25412B40QQVAL MADE BY VF0110			
			SUPSD BY 5414468159			
- 40A	5414468159		.NUT		4	R
			OPT TO 4PH135M MADE BY VF0224			
			SUPSDS 5401458159			
			* * *			
50	7700116248		.POTENTIOMETER		1	R
			OPT TO 4191222KL47K MADE BY VF0010			
60	7083116228		..KNOB		1	
70	7130112252		..CAP		1	
110	TB20 64208002		.POTENTIOMETER		1	R
			RPLD BY TB20 6420800500			
-110A	TB20 6420800500		.POTENTIOMETER		1	R
			RPLS TB20 64208002			
120	7083116228		..KNOB		1	
130	7130112252		..CAP		1	
140	TB20 64201005		.INVERTER ASSY		1	
			ATTACHING PARTS			
150	5102953078		.BOLT		2	R
			OPT TO E27311H40Q12AGUL MADE BY VF0110			
160	5719061160		.WASHER		2	R
			OPT TO NFE27618E40AJTL MADE BY VF0111			
170	5421218040		.ANCHOR NUT, TWO LUG		2	R
			OPT TO 4SR1009M MADE BY VF0224			
			* * *			

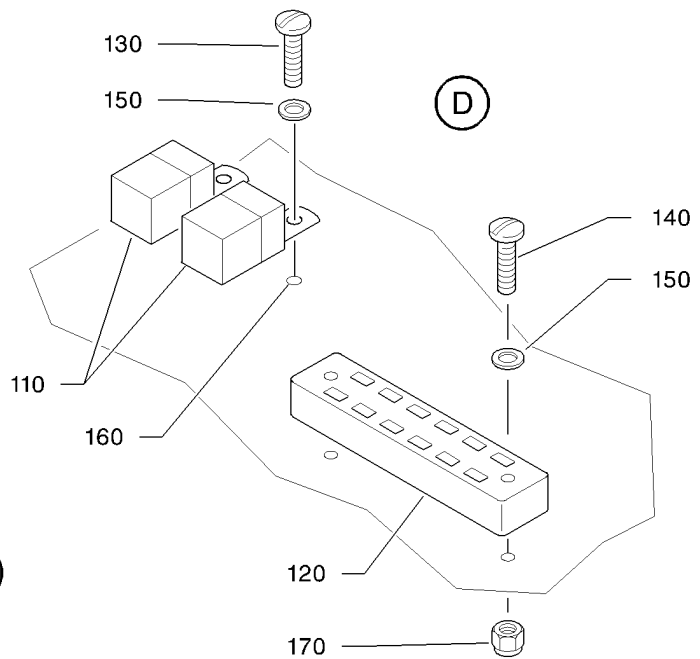
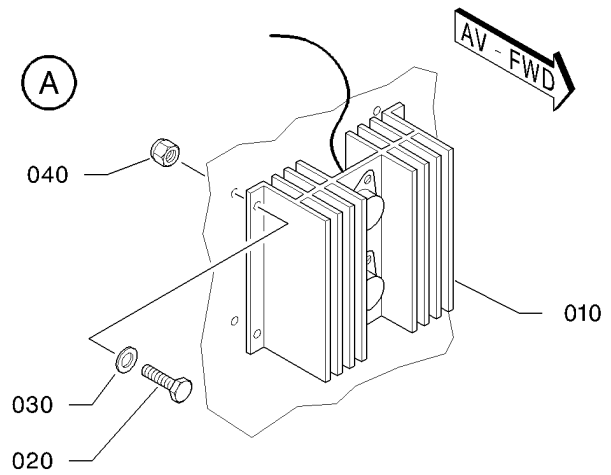
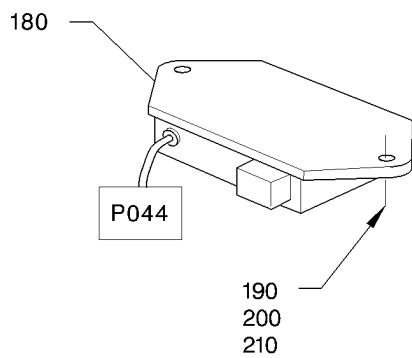
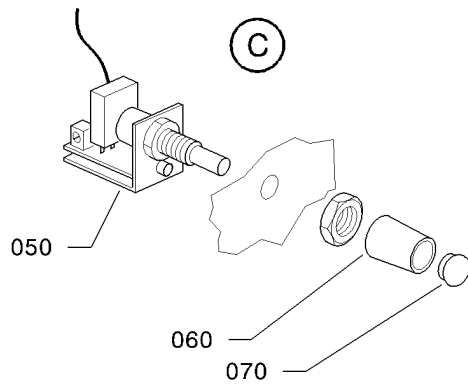
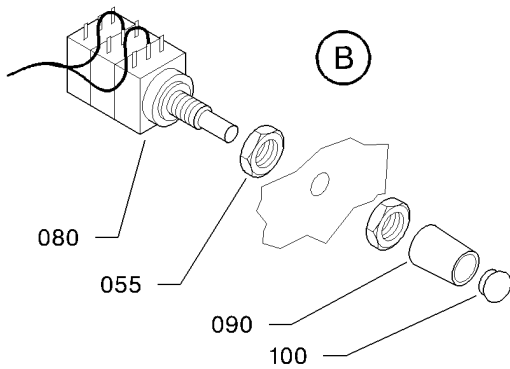
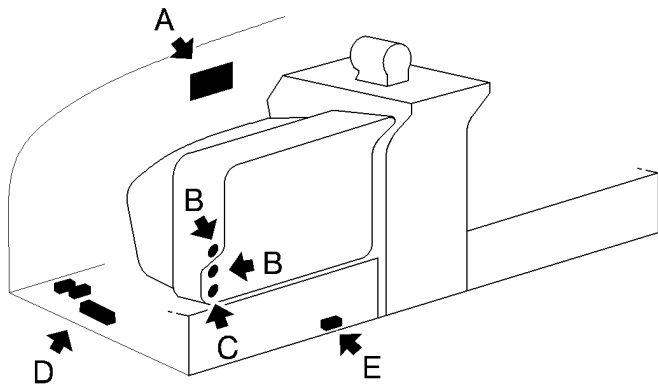
- ITEM NOT ILLUSTRATED

**33-10-00**

FIG. 1A

PAGE 1

NOV 30/18



I4331000AAA/JW/Z4402

COCKPIT - LIGHTING CONTROL  
FIGURE 1B

**33-10-00**

FIG. 1B

PAGE 0 R

NOV 30/18

FIG. ITEM	PART NUMBER	1234567 	NOMENCLATURE	EFFECT FROM TO	UNITS PER ASSY	OBS
1B- 1	TB33-10-00-01B-001		COCKPIT - LIGHTING CONTROL		RF	
10	TB20 6420900000		.DIMMING CONTROL UNIT RPLD BY TB20 6420900100		1	OR
- 10A	TB20 6420900100		.DIMMING CONTROL UNIT RPLS TB20 6420900000 ATTACHING PARTS		1	
20	5102953082		.BOLT OPT TO NFE27311H40Q14AGUL MADE BY VF0110		4	R
30	5701039160		.WASHER OPT TO NFL23111AD040L MADE BY VF0111		4	R
40	5401458159		.NUT OPT TO E25412B40QQVAL MADE BY VF0110 SUPSD BY 5414468159		4	R
- 40A	5414468159		.NUT OPT TO 4PH135M MADE BY VF0224 SUPSDS 5401458159		4	R
50	7700116248		* * * .POTENTIOMETER OPT TO 4191222KL47K MADE BY VF0010		1	R
55	7228815320		..NUT OPT TO H103653200 MADE BY VF1621		1	R
60	7083116228		..KNOB		1	
70	7130112252		..CAP		1	
80	TB20 6420700000		.POTENTIOMETER		2	
90	7083116228		..KNOB		1	
100	7130112252		..CAP		1	
110	7733690324		.RELAY OPT TO 03-536 MADE BY VF9678		2	R
120	7067170011		.TERMINAL BLOCK OPT TO 23911 MADE BY VF0797 ATTACHING PARTS		1	R
130	5102953078		.BOLT OPT TO E27311H40Q12AGUL MADE BY VF0110		2	R
140	5111943093		.SCREW		2	
150	5701039160		.WASHER OPT TO NFL23111AD040L MADE BY VF0111		4	R
160	5421465159		.ANCHOR NUT, TWO LUG OPT TO 4G109M MADE BY VF0224		2	R

- ITEM NOT ILLUSTRATED

**33-10-00**

FIG. 1B

PAGE 1

NOV 30/18

FIG. ITEM	PART NUMBER	1234567 	NOMENCLATURE	EFFECT FROM TO	UNITS PER ASSY	OBS
1B 170	5401458159		.NUT OPT TO E25412B40QQVAL MADE BY VF0110 SUPSD BY 5414468159		2	R
-170A	5414468159		.NUT OPT TO 4PH135M MADE BY VF0224 SUPSDS 5401458159 * * *		2	R
180	TB20 64201005		.INVERTER ASSY ATTACHING PARTS		1	
190	5102953078		.BOLT OPT TO E27311H40Q12AGUL MADE BY VF0110		2	R
200	5719061160		.WASHER OPT TO NFE27618E40AJTL MADE BY VF0111		2	R
210	5421218040		.ANCHOR NUT, TWO LUG OPT TO 4SR1009M MADE BY VF0224 * * *		2	R

- ITEM NOT ILLUSTRATED

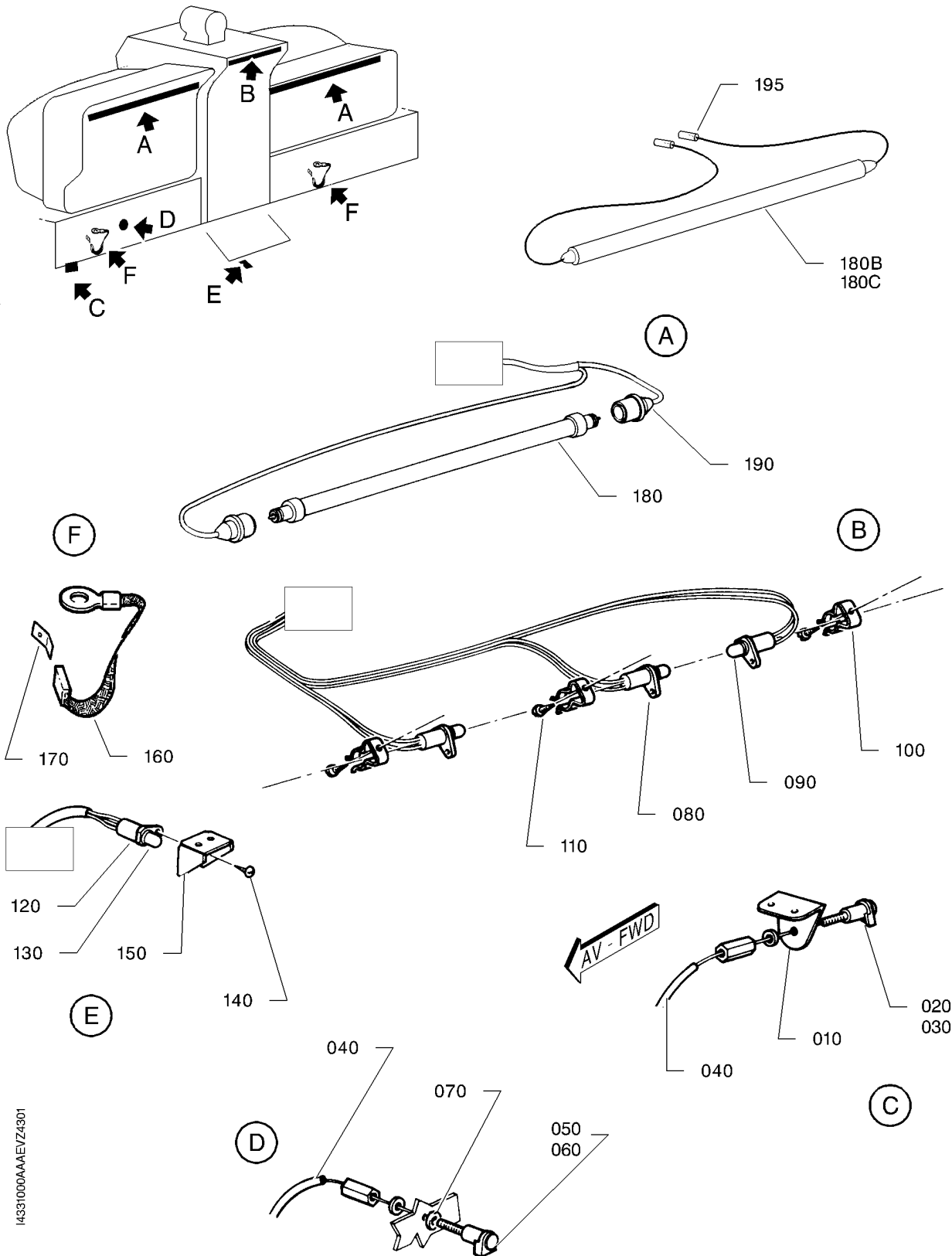
**33-10-00**

FIG. 1B

PAGE 2

NOV 30/18

PAGE INTENTIONALLY BLANK



14331000AAAIEVZ4301

COCKPIT - INSTRUMENT PANEL  
FIGURE 2

**33-10-00**

FIG. 2

PAGE 0 R

NOV 30/18

FIG.ITEM	PART NUMBER	NOMENCLATURE		EFFECT FROM TO	UNITS PER ASSY	OBS
		1234567 				
2 - 1	TF33-10-00-02-001		COCKPIT - INSTRUMENT PANEL		RF	
10	TB20 64916100		.SUPPORT S/N 731 - 764, 766 - 822, 850 - 878 ; S/N 765, 823 - 849, 879 - 1850, SEE OPTION		1	OR R
20	7677011330		.POST LIGHT GRIMES, 12 V, BLUE OPT TO A8970-1-330-12V-BLEU MADE BY VF6010 S/N 731 - 764, 766 - 822, 850 - 878 ; S/N 765, 823 - 849, 879 - 1850, SEE OPTION		1	R
30	7445330004		.LIGHT LAMP S/N 731 - 764, 766 - 822, 850 - 878 ; S/N 765, 823 - 849, 879 - 1850, SEE OPTION		1	R
40	4340190364		.SHEATH OPT TO VINYLE NOIR 4X0.40 MADE BY VF1432 S/N 731 - 764, 766 - 822, 850 - 878 ; S/N 765, 823 - 849, 879 - 1850, SEE OPTION		AR	R
50	7677011330		.POST LIGHT GRIMES, 12 V, BLUE OPT TO A8970-1-330-12V-BLEU MADE BY VF6010 S/N 731 - 764, 766 - 822, 850 - 878 ; S/N 765, 823 - 849, 879 - 1850, SEE OPTION		AR	R
60	7445330004		.LIGHT LAMP S/N 731 - 764, 766 - 822, 850 - 878 ; S/N 765, 823 - 849, 879 - 1850, SEE OPTION		AR	R
70	5703036160		..WASHER OPT TO 23119AD040L MADE BY VF0111 S/N 731 - 764, 766 - 822, 850 - 878 ; S/N 765, 823 - 849, 879 - 1850, SEE OPTION		1	R
80	7193693006		..SOCKET S/N 1 - 764, 766 - 822, 850 - 878 ; S/N 765, 823 - 849, 879 - 1850, SEE OPTION		3	
90	7445330005		.BLUE LAMP S/N 1 - 764, 766 - 822, 850 - 878 ; S/N 765, 823 - 849, 879 - 1850, SEE OPTION LAMP 14V		3	R

- ITEM NOT ILLUSTRATED

**33-10-00**

FIG. 2

PAGE 1

NOV 30/18

S/N 1 - 1850

FIG. ITEM	PART NUMBER	NOMENCLATURE		EFFECT FROM TO	UNITS PER ASSY	OBS
		1234567 				
2 - 90A	7445330007		.BLUE TINTED LAMP S/N 1 - 764, 766 - 822, 850 - 878 ; S/N 765, 823 - 849, 879 - 1850, SEE OPTION LAMP 28V		3	R
100	7478111286		.CLIP OPT TO 128-6 MADE BY VF0010 S/N 1 - 764, 766 - 822, 850 - 878 ; S/N 765, 823 - 849, 879 - 1850, SEE OPTION		3	R
110	5263055004		.SCREW OPT TO E25663B29C095GASZ MADE BY VF0110 S/N 1 - 764, 766 - 822, 850 - 878 ; S/N 765, 823 - 849, 879 - 1850, SEE OPTION		3	R
120	TB20 66006001		.TRIM LIGHTING LAMP S/N 1 - 764, 766 - 822, 850 - 878 ; S/N 765, 823 - 849, 879 - 1850, SEE OPTION		1	
130	7445330017		..LAMP S/N 1 - 764, 766 - 822, 850 - 878 ; S/N 765, 823 - 849, 879 - 1850, SEE OPTION		1	R
140	5263055003		.SCREW OPT TO E25663B29C065GASZ MADE BY VF0110 S/N 1 - 764, 766 - 822, 850 - 878 ; S/N 765, 823 - 849, 879 - 1850, SEE OPTION		1	
150	TB20 66006100		.SUPPORT S/N 1 - 764, 766 - 822, 850 - 878 ; S/N 765, 823 - 849, 879 - 1850, SEE OPTION		1	OR R
160	TB20 61010001		.BONDING STRAP		2	
170	7450690052		.TAB OPT TO 30052 MADE BY VF0578		2	R
180	6005707237		.LIGHTING TUBE OPT TO 67135-300S MADE BY VF0010 S/N 1 - 730 RPLD BY 6005707244 + 7450806235		AR	NP R

- ITEM NOT ILLUSTRATED

**33-10-00**

FIG. 2

PAGE 2

NOV 30/18

FIG.ITEM	PART NUMBER	1234567 	NOMENCLATURE	EFFECT FROM TO	UNITS PER ASSY	OBS
2 -180A	6005707238		.LIGHTING TUBE OPT TO 671235R300S MADE BY VF0010 S/N 731 - 764, 766 - 822, 850 - 878 ; S/N 765, 823 - 849, 879 - 1850, SEE OPTION RPLD BY 6005707243 + 7450806235		2	NP R
180B	6005707244		.LIGHTING TUBE OPT TO 63135-340 MADE BY VF0010 SPARES		2	R
180C	6005707243		.RED LIGHTING TUBE OPT TO 631235 R340 MADE BY VF0010 SPARES		2	R
190	7193113100		.SOCKET OPT TO 3185-1A FIL LGR=300 MADE BY VF0010 S/N 1 - 764, 766 - 822, 850 - 878 ; S/N 765, 823 - 849, 879 - 1850, SEE OPTION		4	R
195	7450806252		.STRIP SPARES		4	

- ITEM NOT ILLUSTRATED

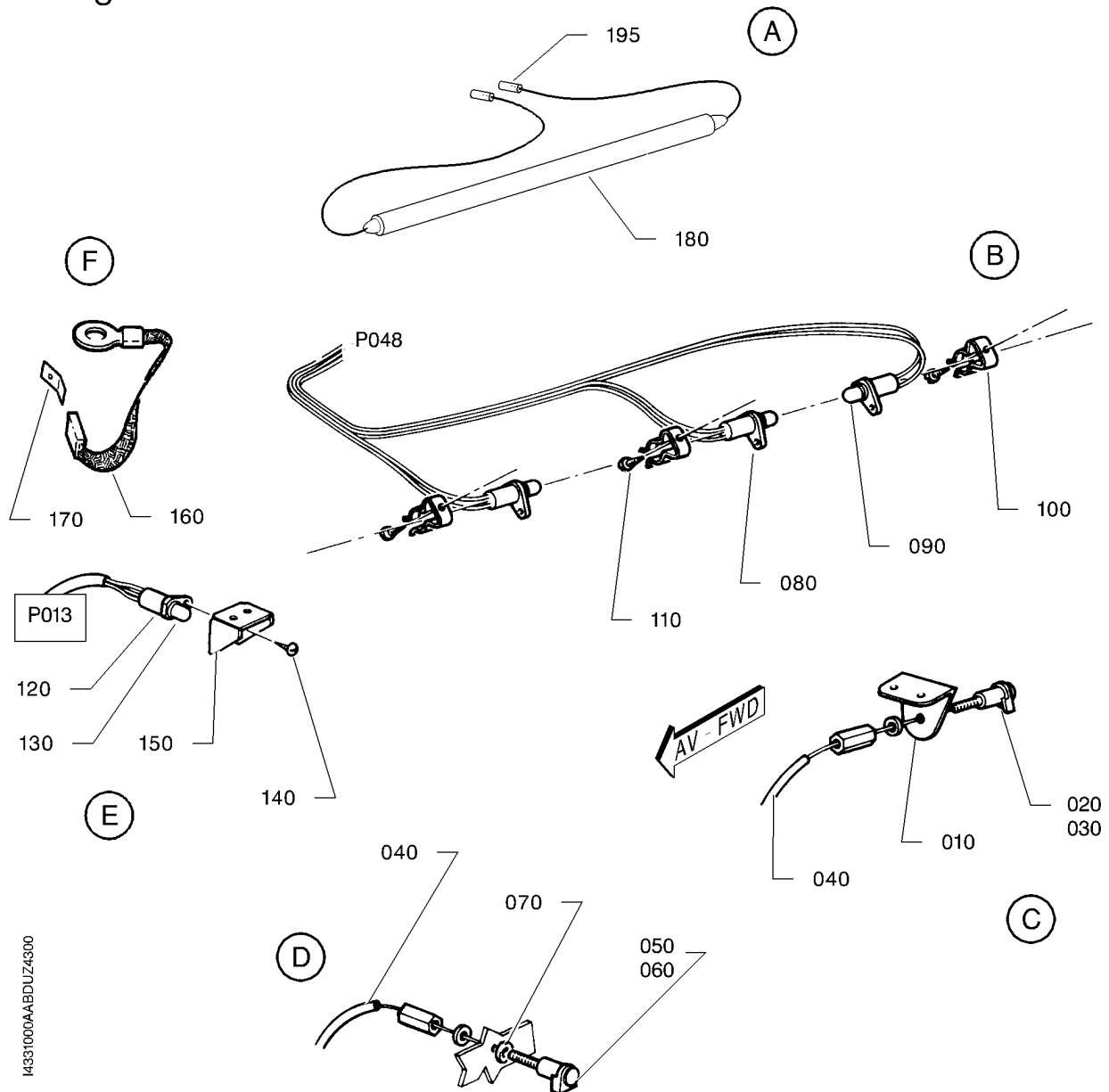
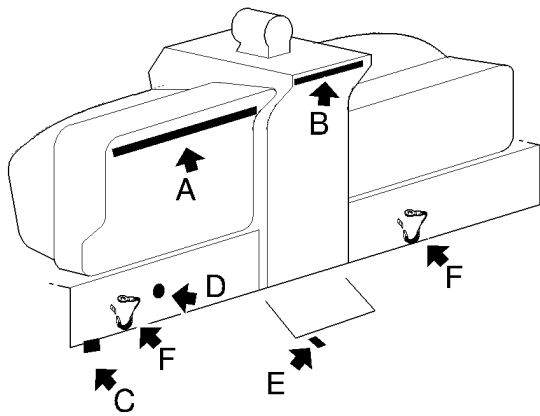
**33-10-00**

FIG. 2

PAGE 3

NOV 30/18

S/N 1 - 1850



14331000AABDUZ4300

COCKPIT - INSTRUMENT PANEL  
FIGURE 2A

**33-10-00**

FIG. 2A

PAGE 0 R

NOV 30/18

FIG. ITEM	PART NUMBER	NOMENCLATURE	EFFECT FROM TO	UNITS PER ASSY	OBS
		1234567 			
2A- 1	TF33-10-00-02A-001	COCKPIT - INSTRUMENT PANEL		RF	
10	TB20 64916100	.SUPPORT		1	OR
20	TB20 64204001	.POST LIGHT		1	
30	7445330003	..LAMP		1	
40	4340190364	.SHEATH OPT TO VINYLE NOIR 4X0.40 MADE BY VF1432		AR	R
50	TB20 64205001	.POST LIGHT		AR	
60	7445450003	..LIGHTING SPOT WITH LAMP OPT TO A350CNRDBKSH28 MADE BY V10402		AR	R
- 65	7445330003	...LAMP		AR	R
70	5703036160	..WASHER OPT TO 23119AD040L MADE BY VF0111		1	R
80	7193693006	..SOCKET		3	
90	7445330007	.BLUE TINTED LAMP		3	
100	7478111286	.CLIP OPT TO 128-6 MADE BY VF0010		3	R
110	5263055004	.SCREW OPT TO E25663B29C095GASZ MADE BY VF0110		3	
120	TB20 64206001	.POST LIGHT		1	
130	7445330013	..WHITE LAMP		1	
140	5263055003	.SCREW OPT TO E25663B29C065GASZ MADE BY VF0110		1	
150	TB20 66006100	.SUPPORT		1	OR
160	TB20 61010001	.BONDING STRAP		2	
170	7450690052	.TAB OPT TO 30052 MADE BY VF0578		2	R
180	6005707243	.RED LIGHTING TUBE OPT TO 631235 R340 MADE BY VF0010		1	R
195	7126026601	.CONTACT OPT TO DE 926897-1 MADE BY VF0286		2	R

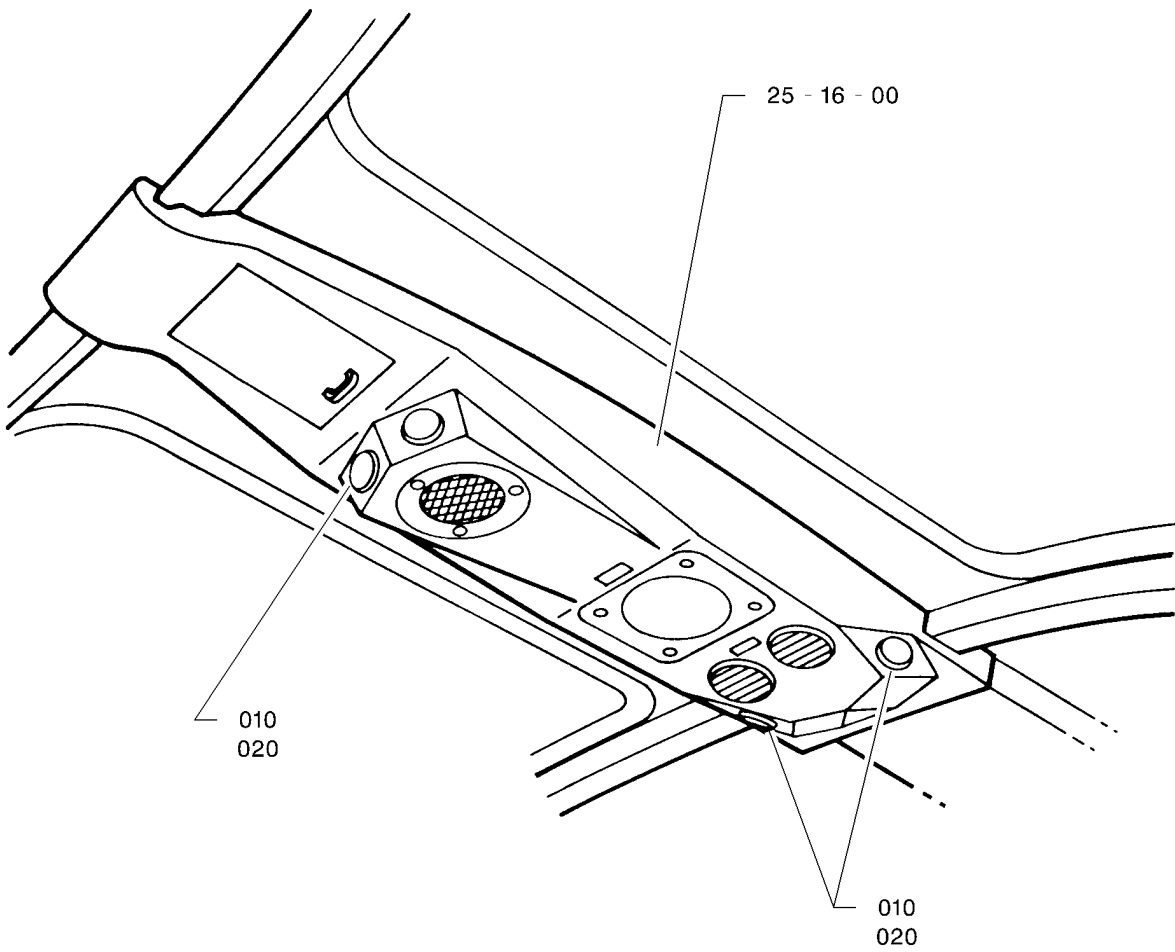
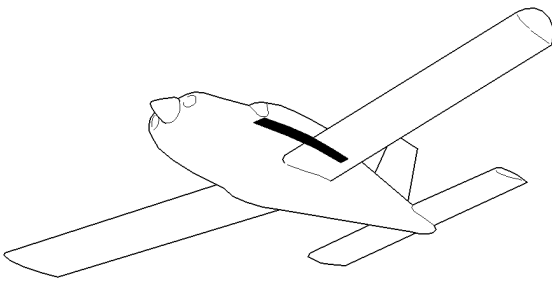
- ITEM NOT ILLUSTRATED

**33-10-00**

FIG. 2A

PAGE 1

NOV 30/18



14251600AAAGVZ4300

COCKPIT - DOME LIGHTS  
FIGURE 3

**33-10-00**

FIG. 3  
PAGE 0 R

NOV 30/18

FIG.ITEM	PART NUMBER	NOMENCLATURE	EFFECT FROM TO	UNITS PER ASSY	OBS
		1234567 			
3 - 1	TB33-10-00-03-001	COCKPIT - DOME LIGHTS		RF	
10	7720014849	.OVERHEAD LIGHT FOR MOD. 157 APPLICATION, ORDER 1 KIT OPT10 928000		4	OR
- 10A	6097607220	.FLOODLIGHT ASSY POST-KIT OPT10 928000		4	
20	7445771402	.LAMP OPT TO 10-1527 MADE BY VF0792 WITH 7720014849 (FIAT) SUPSD BY 7445330010		4	R
- 20A	7445330010	.LAMP WITH 7720014849 (FIAT) SUPSDS 7445771402		4	R
- 20B	6033407228	.LAMP WITH 6097607220 (WENAC)		4	R

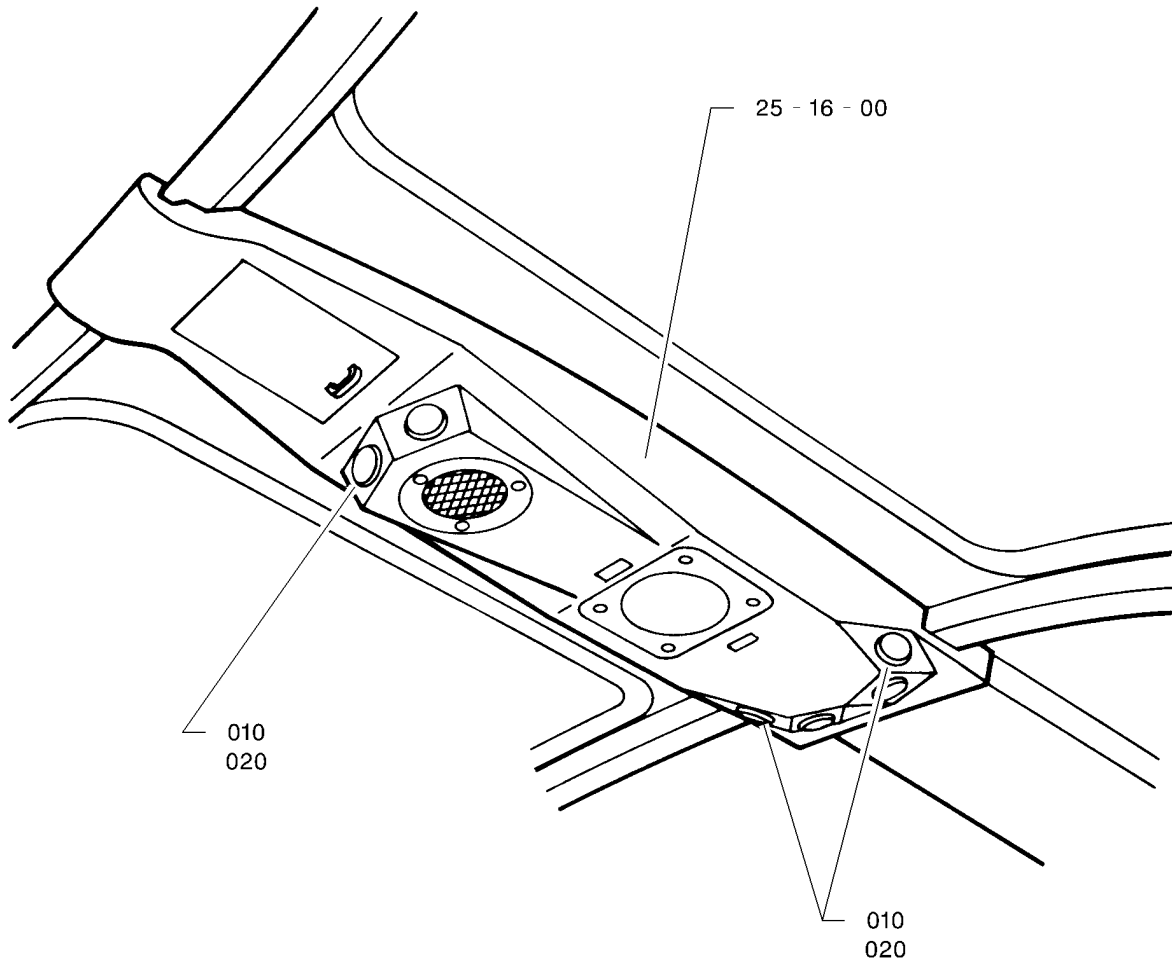
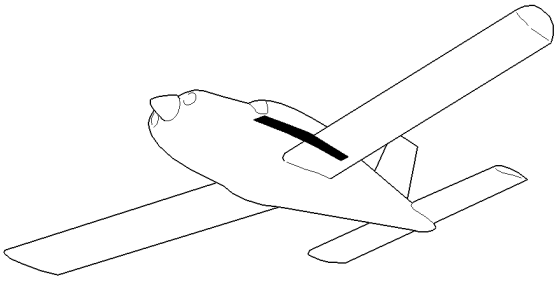
- ITEM NOT ILLUSTRATED

**33-10-00**

FIG. 3

PAGE 1

NOV 30/18



14251600AAAHHVZ4300

COCKPIT - DOME LIGHTS  
FIGURE 3A

S/N 480 - 599, 601 - 609

**33-10-00**

FIG. 3A

PAGE 0 R

NOV 30/18

FIG. ITEM	PART NUMBER	NOMENCLATURE	EFFECT FROM TO	UNITS PER ASSY	OBS
		1234567 			
3A- 1	TB33-10-00-03A-001	COCKPIT - DOME LIGHTS		RF	
10	7720014849	.OVERHEAD LIGHT FOR MOD. 157 APPLICATION, ORDER 1 KIT OPT10 928000		4	OR
- 10A	6097607220	.FLOODLIGHT ASSY POST-KIT OPT10 928000		4	
20	7445771402	.LAMP OPT TO 10-1527 MADE BY VF0792 WITH 7720014849 (FIAT) SUPSD BY 7445330010		4	R
- 20A	7445330010	.LAMP WITH 7720014849 (FIAT) SUPSDS 7445771402		4	R
- 20B	6033407228	.LAMP WITH 6097607220 (WENAC)		4	R

- ITEM NOT ILLUSTRATED

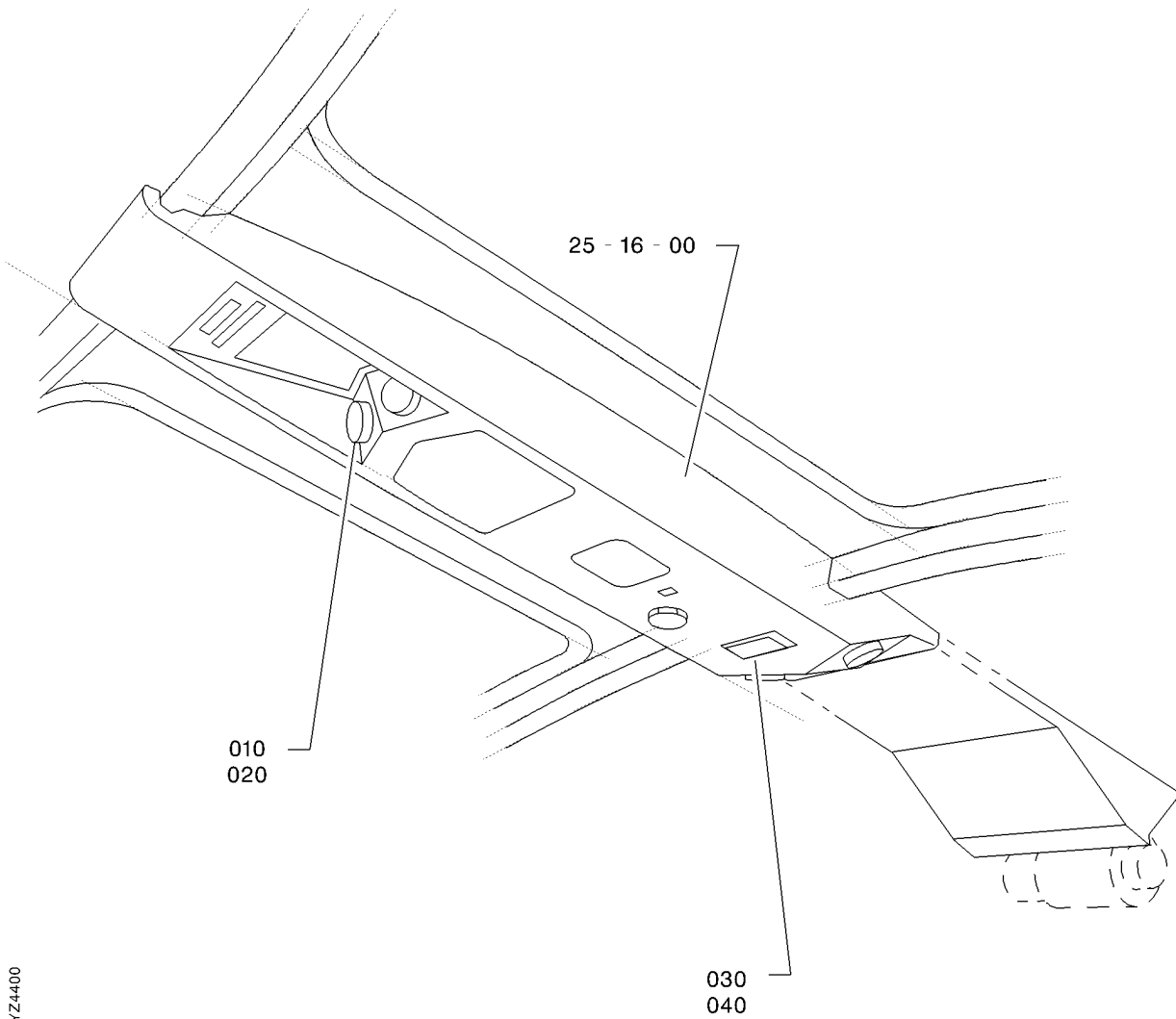
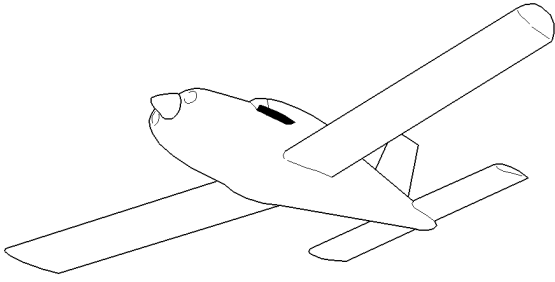
**33-10-00**

FIG. 3A

PAGE 1

NOV 30/18

S/N 480 - 599, 601 - 609



14251600AAKYZ4400

COCKPIT - DOME LIGHTS  
FIGURE 3B

**33-10-00**

FIG. 3B

PAGE 0 R

NOV 30/18

FIG. ITEM	PART NUMBER	NOMENCLATURE		EFFECT FROM TO	UNITS PER ASSY	OBS
		1234567 				
3B- 1	TF33-10-00-03B-001		COCKPIT - DOME LIGHTS		RF	
10	7720014849		.OVERHEAD LIGHT FOR MOD. 157 APPLICATION, ORDER 1 KIT OPT10 928000		4	OR
- 10A	6097607220		.FLOODLIGHT ASSY POST-KIT OPT10 928000		4	
20	7445771402		.LAMP OPT TO 10-1527 MADE BY VF0792 WITH 7720014849 (FIAT) SUPSD BY 7445330010		4	R
- 20A	7445330010		.LAMP WITH 7720014849 (FIAT) SUPSDS 7445771402		4	R
- 20B	6033407228		.LAMP WITH 6097607220 (WENAC)		4	R
30	7720236222		.OVERHEAD LIGHT OPT TO 63-62-22 MADE BY VF0467 RPLD BY 7720406292 + 7445771552		1	OR R
- 30A	7720406292		.OVERHEAD LIGHT OPT TO 63-62-92 MADE BY VF0467 RPLS 7720236222		1	R
40	7445771401		.LAMP OPT TO 01613-12V MADE BY VF0792		1	R
- 40A	7445771552		.LAMP OPT TO 1552-12V MADE BY VF0792		1	R

- ITEM NOT ILLUSTRATED

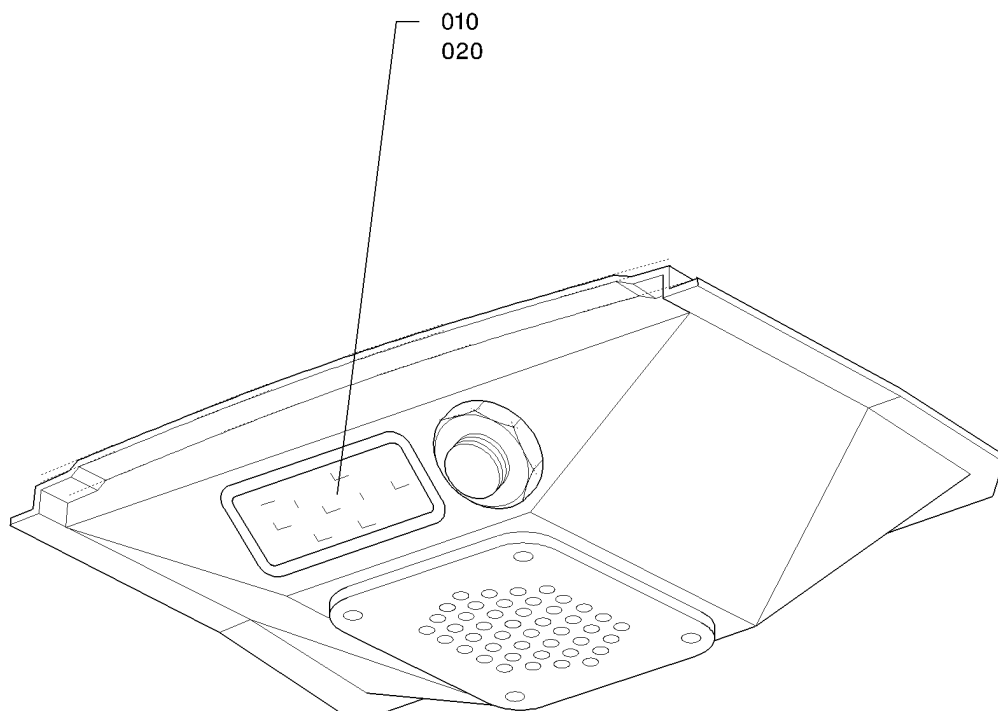
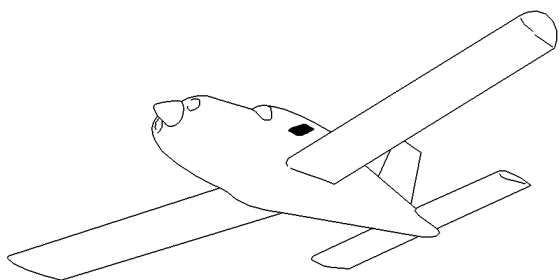
**33-10-00**

FIG. 3B

PAGE 1

NOV 30/18

S/N 600, 610 - 764, 766 - 822, 850 - 878



14251600AAALUZ400

COCKPIT - DOME LIGHTS  
FIGURE 3C

S/N 1470 - 9999 ; S/N 765, 823 - 849, 879 - 1469, SEE OPTION

**33-10-00**

FIG. 3C  
PAGE 0 R  
NOV 30/18

FIG. ITEM	PART NUMBER	1234567 	NOMENCLATURE	EFFECT FROM TO	UNITS PER ASSY	OBS
3C- 1	TF33-10-00-03C-001		COCKPIT - DOME LIGHTS		RF	
10	7720406292		.OVERHEAD LIGHT VF0467 OPT TO 63-62-92 MADE BY VF0467		1	
20	7445771554		.LAMP VF0792 OPT TO 01554-24V MADE BY VF0792		1	

- ITEM NOT ILLUSTRATED

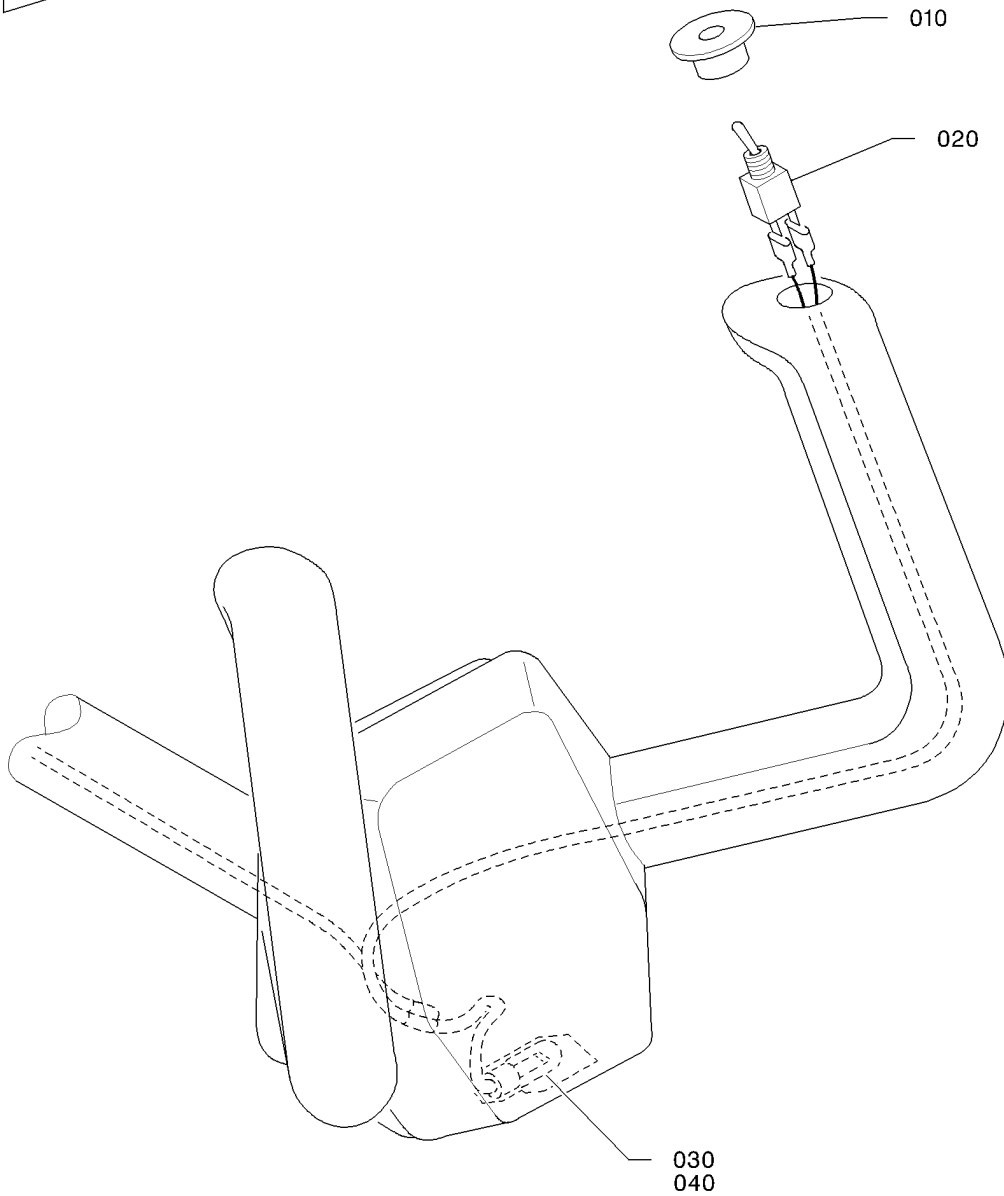
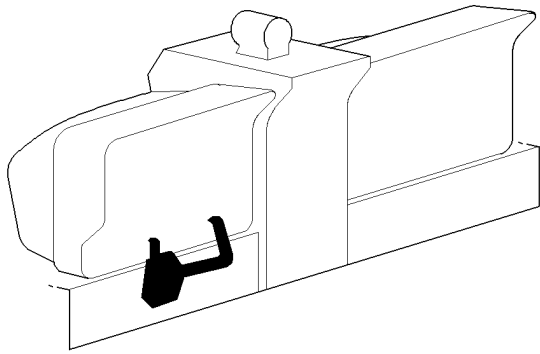
**33-10-00**

FIG. 3C

PAGE 1 R

NOV 30/18

S/N 1470 - 9999 ; S/N 765, 823 - 849, 879 - 1469, SEE OPTION



14273001AAAAYZ4500

COCKPIT - MAP READING LIGHT  
FIGURE 5

**33-10-00**

FIG. 5  
PAGE 0 R

NOV 30/18

FIG.ITEM	PART NUMBER	1234567 	NOMENCLATURE	EFFECT FROM TO	UNITS PER ASSY	OBS
5 - 1	TB33-10-00-05-001		COCKPIT - MAP READING LIGHT		RF	
10	TB10 27047110		.SUPPORT		1	
20	7392070413		.TOGGLE SWITCH		1	
30	TB20 64840001		.LAMP ASSY		1	
40	7445308736		..LAMP		1	

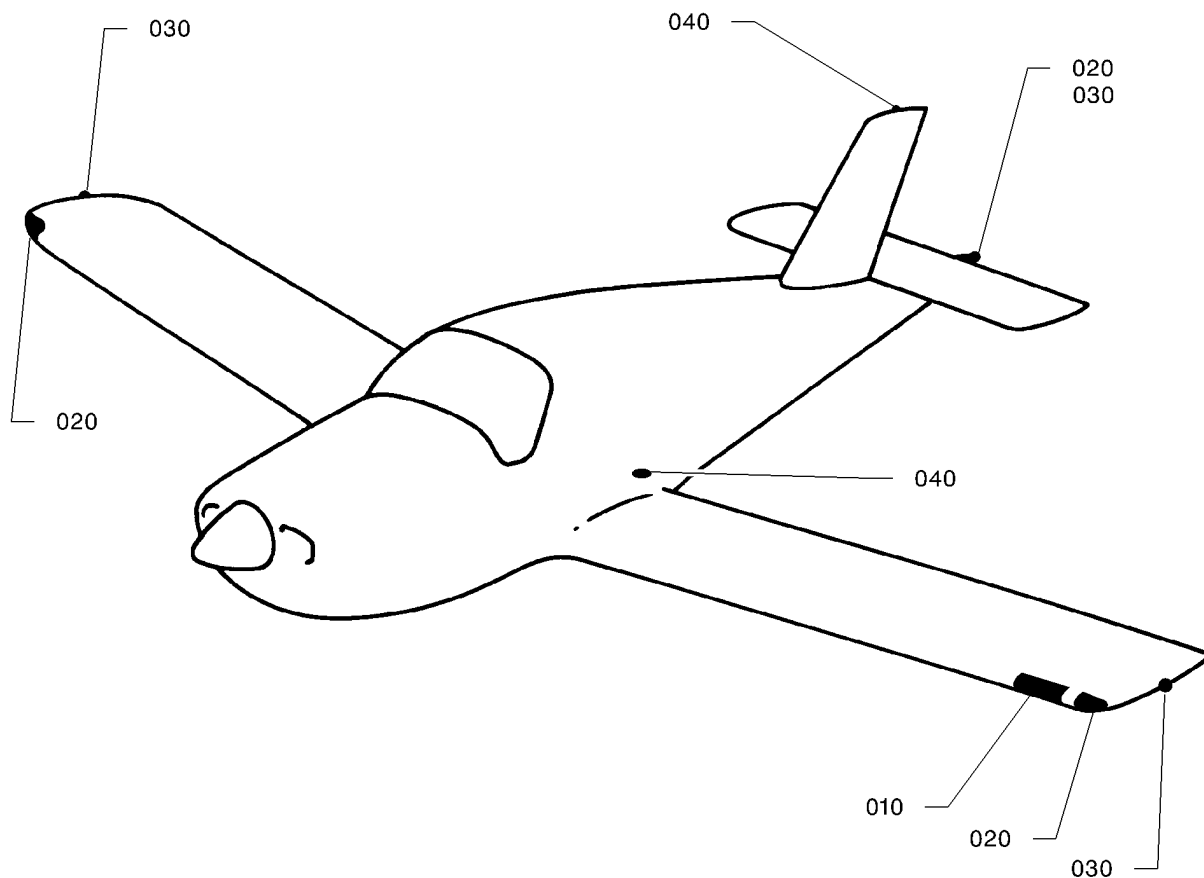
- ITEM NOT ILLUSTRATED

**33-10-00**

FIG. 5

PAGE 1 R

NOV 30/18



I4330000AAAYZ4401

EXTERNAL  
FIGURE 1

**33-40-00**

FIG. 1  
PAGE 0 R

NOV 30/18

FIG.ITEM	PART NUMBER	1234567 	NOMENCLATURE	EFFECT FROM TO	UNITS PER ASSY	OBS
1 - 1	TF33-40-00-01-001		EXTERNAL		RF	
10	TB33-40-01-01		.TAXI AND LANDING LIGHTS S/N 1 - 764, 766 - 822, 850 - 878		1	
- 10A	33-40-0PT-03		.TAXI AND LANDING LIGHTS S/N 765, 823 - 849, 879 - 9999		1	R
20	TB33-40-02-01		.NAVIGATION LIGHTS S/N 1 - 764, 766 - 822, 850 - 878		1	
- 20A	33-40-0PT-04		.NAVIGATION LIGHTS S/N 765, 823 - 849, 879 - 9999		1	R
30	33-40-0PT-01		.ANTICOLLISION LIGHTS		1	R
40	33-40-0PT-02		.STROBE LIGHTS		1	R

- ITEM NOT ILLUSTRATED

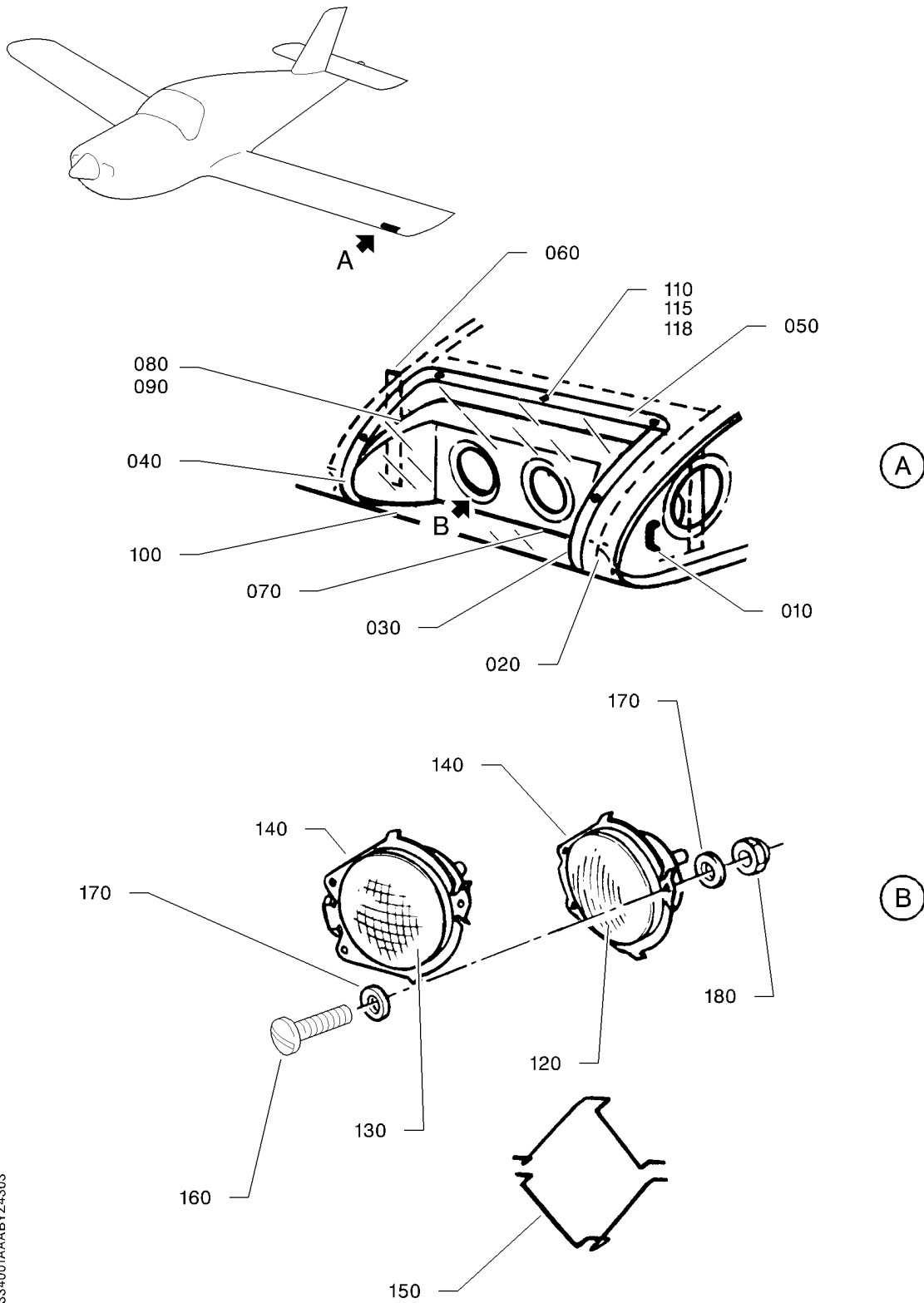
**33-40-00**

FIG. 1

PAGE 1

NOV 30/18

S/N 1 - 9999



I433401AAABYZ4303

TAXI AND LANDING LIGHTS  
FIGURE 1

**33-40-01**

FIG. 1  
PAGE 0 R

NOV 30/18

FIG. ITEM	PART NUMBER	NOMENCLATURE		EFFECT FROM TO	UNITS PER ASSY	OBS
		1234567 				
1 - 1	TF33-40-01-01-001		TAXI AND LANDING LIGHTS		RF	
10	7146696803		.LUG VF0578 OPT TO 30062-3 (EX.30068-3) MADE BY VF0578		1	
20	TB10 63000100		.SUPPORT RIB		1	
30	TB10 63000101		.SUPPORT STRIP		1	
40	TB10 63000104		.SUPPORT STRIP RPLD BY TB10 63000105		1	OR
- 40A	TB10 63000105		.SUPPORT STRIP RPLS TB10 63000104		1	
50	TB10 63000102		.SMALL SPAR		1	
60	TB10 63000103		.ANGLE BRACKET		1	
70	TB10 63000109		.COVER ATTACHING PARTS		1	
80	5263055001		.SCREW VF0110 OPT TO E25663B39C130GA52 MADE BY VF0110		3	
90	5701039160		.WASHER OPT TO NFL23111AD040L MADE BY VF0111 * * *		3	R
100	TB10 63000108		.TRANSPARENT COVER ATTACHING PARTS		1	
110	5169911086		.SCREW		10	
115	7743700202		.WASHER VF2521 OPT TO 0425P1000E1.2 MADE BY VF2521		10	
118	5385835514		.NUT * * *		10	R
120	6033407221		.GENERAL LANDING GEAR LIGHT V72914 OPT TO 4519-14V MADE BY V72914		1	
130	6033407220		.GENERAL LANDING GEAR LIGHT		1	
140	TB10 63000117		.LIGHT SUPPORT		2	
150	TB10 63000118		.HOOK ATTACHING PARTS		4	
160	5111943224		.SCREW		6	
170	7743700203		.WASHER		12	
180	5401458239		.NUT OPT TO E25412B50QQVAL MADE BY VF0110 * * *		6	R

- ITEM NOT ILLUSTRATED

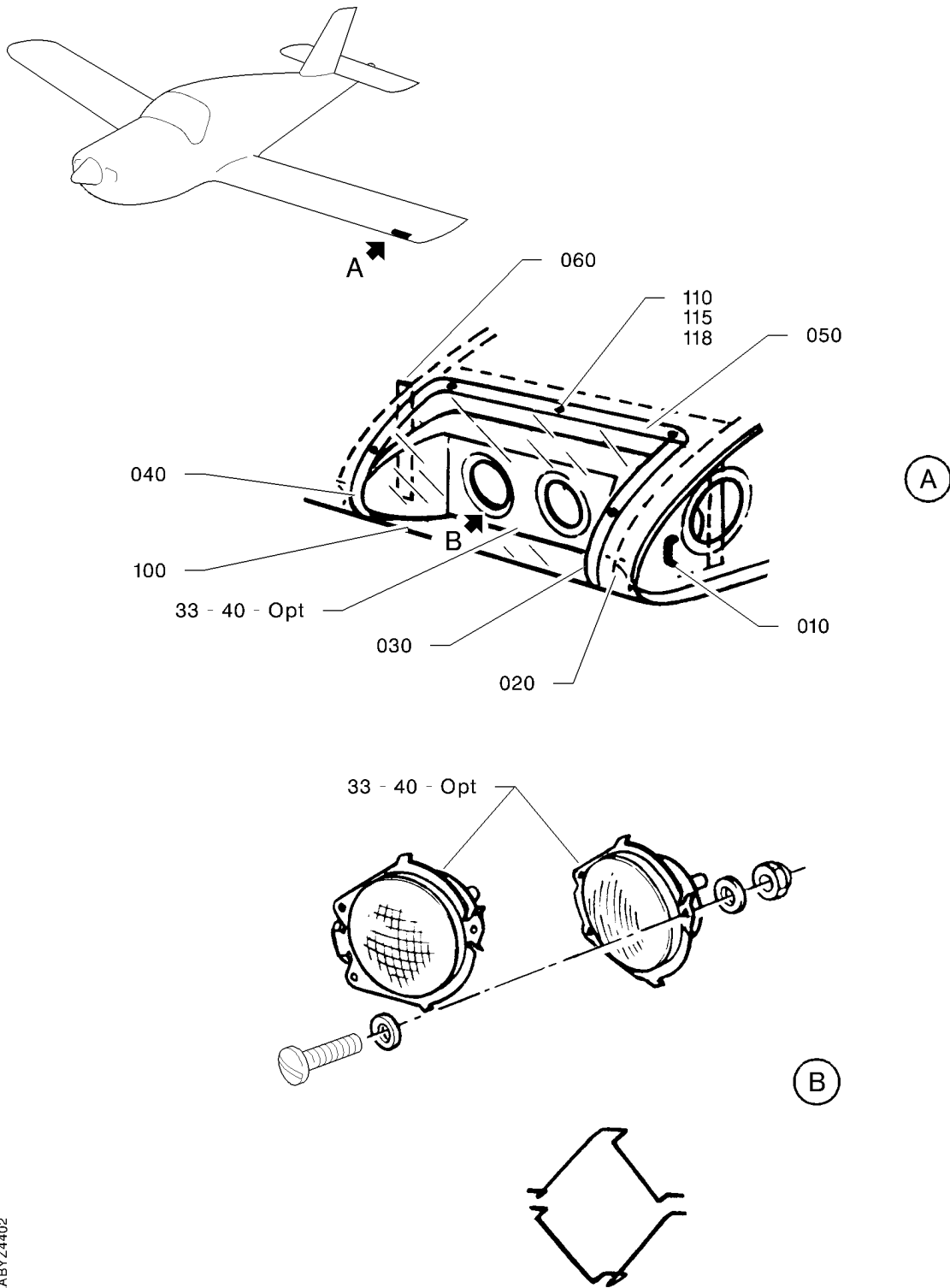
**33-40-01**

FIG. 1

PAGE 1

NOV 30/18

S/N 1 - 764, 766 - 822, 850 - 878



14334001AAABYZ4402

TAXI AND LANDING LIGHTS  
FIGURE 1A

**33-40-01**

FIG. 1A  
PAGE 0 R  
NOV 30/18

FIG.ITEM	PART NUMBER	NOMENCLATURE		EFFECT FROM TO	UNITS PER ASSY	OBS
		1234567 				
1A- 1	TF33-40-01-01A-001		TAXI AND LANDING LIGHTS		RF	
10	7146696803		.LUG VF0578 OPT TO 30062-3 (EX.30068-3) MADE BY VF0578		1	
20	TB10 63000100		.SUPPORT RIB		1	
30	TB10 63000101		.SUPPORT STRIP		1	
40	TB10 63000104		.SUPPORT STRIP RPLD BY TB10 63000105		1	OR
- 40A	TB10 63000105		.SUPPORT STRIP RPLS TB10 63000104		1	
50	TB10 63000102		.SMALL SPAR		1	
60	TB10 63000103		.ANGLE BRACKET		1	
100	TB10 63000108		.TRANSPARENT COVER ATTACHING PARTS		1	
110	5169911086		.SCREW		10	
115	7743700202		.WASHER VF2521 OPT TO 0425P1000E1.2 MADE BY VF2521		10	
118	5385835514		.NUT * * *		10	R

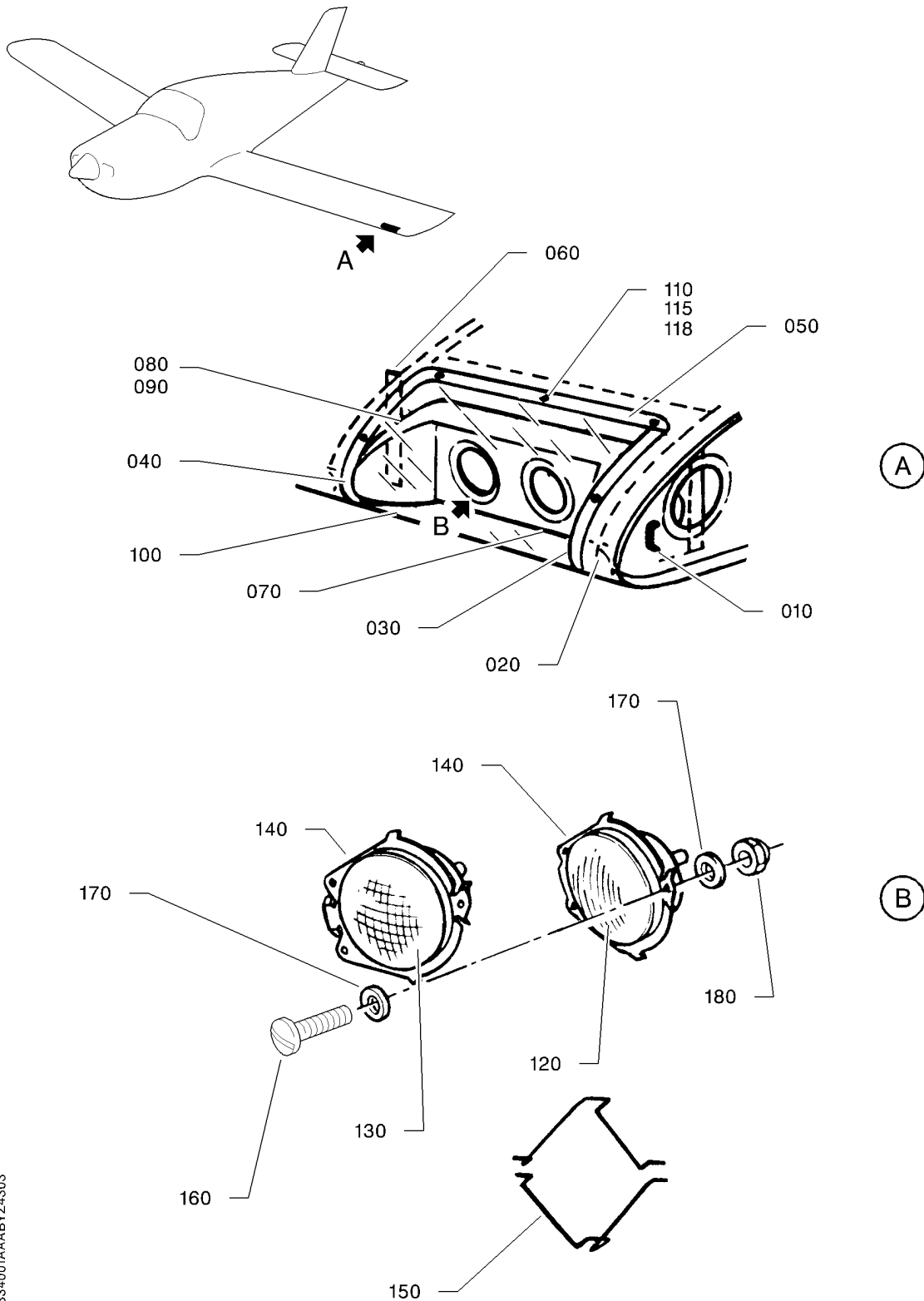
- ITEM NOT ILLUSTRATED

**33-40-01**

FIG. 1A

PAGE 1

NOV 30/18



I433401AAABYZ4303

TAXI AND LANDING LIGHTS  
FIGURE 1B

**33-40-01**

FIG. 1B  
PAGE 0 R  
NOV 30/18

FIG. ITEM	PART NUMBER	NOMENCLATURE		EFFECT FROM TO	UNITS PER ASSY	OBS
		1234567 				
1B- 1	TF33-40-01-01B-001		TAXI AND LANDING LIGHTS		RF	
10	7146696803		.LUG VF0578 OPT TO 30062-3 (EX.30068-3) MADE BY VF0578		1	
20	TB10 63000100		.SUPPORT RIB		1	
30	TB10 63000101		.SUPPORT STRIP		1	
40	TB10 63000104		.SUPPORT STRIP RPLD BY TB10 63000105		1	OR
- 40A	TB10 63000105		.SUPPORT STRIP RPLS TB10 63000104		1	
50	TB10 63000102		.SMALL SPAR		1	
60	TB10 63000103		.ANGLE BRACKET		1	
70	TB10 63000109		.COVER ATTACHING PARTS		1	
80	5263055001		.SCREW VF0110 OPT TO E25663B39C130GA52 MADE BY VF0110		3	
90	5701039160		.WASHER OPT TO NFL23111AD040L MADE BY VF0111 * * *		3	R
100	TB10 63000108		.TRANSPARENT COVER ATTACHING PARTS		1	
110	5169911086		.SCREW		10	
115	7743700202		.WASHER VF2521 OPT TO 0425P1000E1.2 MADE BY VF2521		10	
118	5385835514		.NUT * * *		10	R
120	6033407225		.TAXI LIGHT V72914 OPT TO 4626-28V MADE BY V72914		1	
130	6033407223		.LANDING LIGHT		1	
140	TB10 63000117		.LIGHT SUPPORT		2	
150	TB10 63000118		.HOOK ATTACHING PARTS		4	
160	5111943224		.SCREW		6	
170	7743700203		.WASHER		12	
180	5401458239		.NUT OPT TO E25412B50QQVAL MADE BY VF0110 * * *		6	R

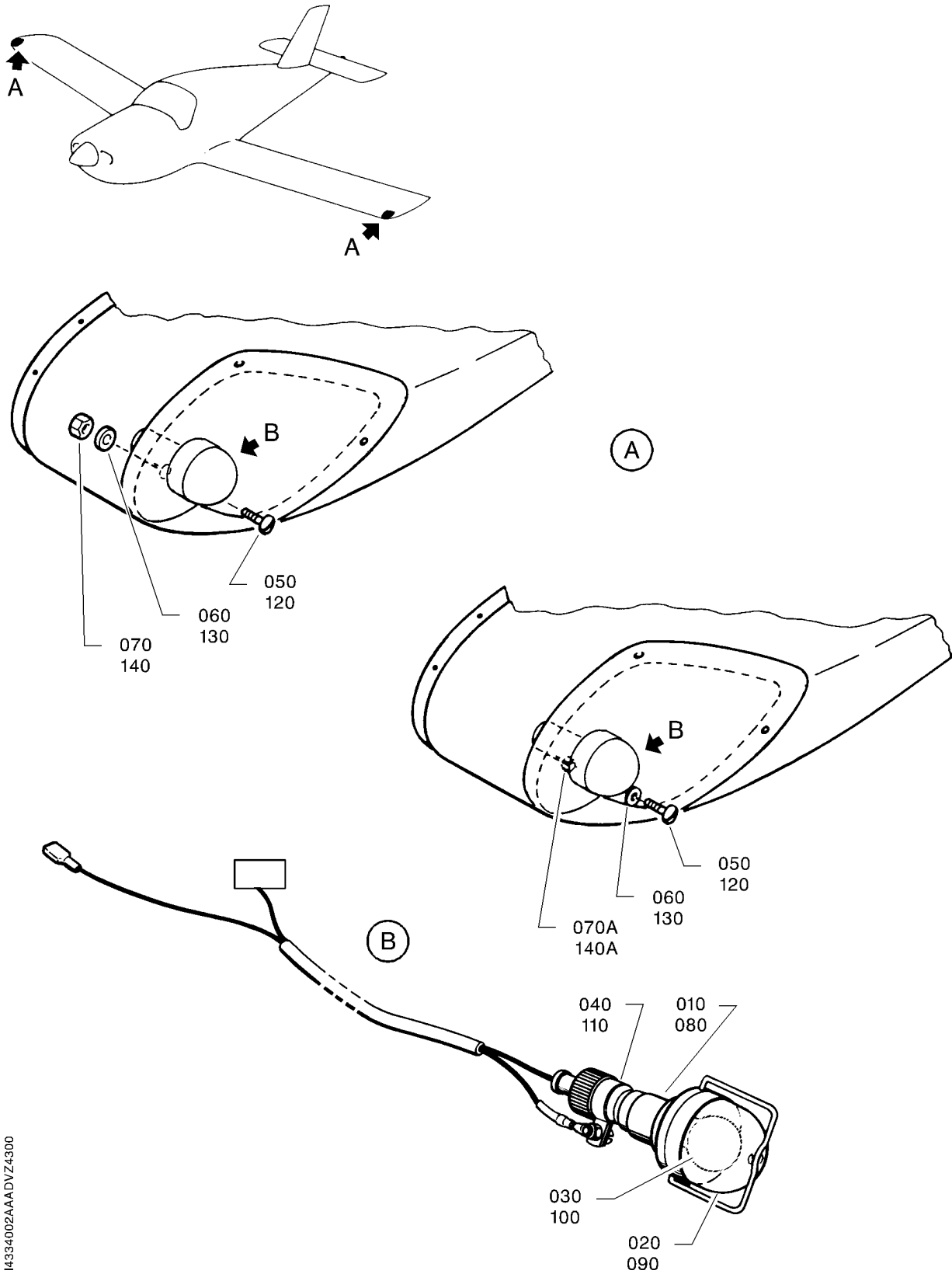
- ITEM NOT ILLUSTRATED

**33-40-01**

FIG. 1B

PAGE 1

NOV 30/18



I4334002AAADVZ4300

NAVIGATION LIGHTS  
FIGURE 1

**33-40-02**

FIG. 1

PAGE 0 R

NOV 30/18

FIG. ITEM	PART NUMBER	NOMENCLATURE	EFFECT FROM TO	UNITS PER ASSY	OBS
		1234567 			
1 - 1	TB33-40-02-01-001	NAVIGATION LIGHTS		RF	
10	TB10 61108001	.L.H. WING LIGHT ASSY FOR MOD. 147 APPLICATION, ORDER 1 KIT OPT10 927000		1	OR
20	7240800784	..RED GLASS DOME 7007-554 VF0217 OPT TO 7007-554 ROUGE MADE BY VF0217		1	
30	7445011512	..LAMP VF6010 OPT TO 1512-12V MADE BY VF6010		1	
40	TB20 63203102	..CLAMP ATTACHING PARTS		1	
50	5111943078	..SCREW OPT TO E27116C40Q12AGUL MADE BY VF0110		2	R
60	5701039160	..WASHER OPT TO NFL23111AD040L MADE BY VF0111		2	R
70	5421218040	..ANCHOR NUT, TWO LUG OPT TO 4SR1009M MADE BY VF0224 * * *		2	R
80	TB10 61108000	.R.H. WING LIGHT ASSY FOR MOD. 147 APPLICATION, ORDER 1 KIT OPT10 927100		1	
90	7240800719	..GREEN GLASS DOME 7007-219		1	
100	7445011512	..LAMP VF6010 OPT TO 1512-12V MADE BY VF6010		1	
110	TB20 63203102	..CLAMP ATTACHING PARTS		1	
120	5111943078	..SCREW OPT TO E27116C40Q12AGUL MADE BY VF0110		2	R
130	5701039160	..WASHER OPT TO NFL23111AD040L MADE BY VF0111		2	R
140	5421218040	..ANCHOR NUT, TWO LUG OPT TO 4SR1009M MADE BY VF0224 * * *		2	R

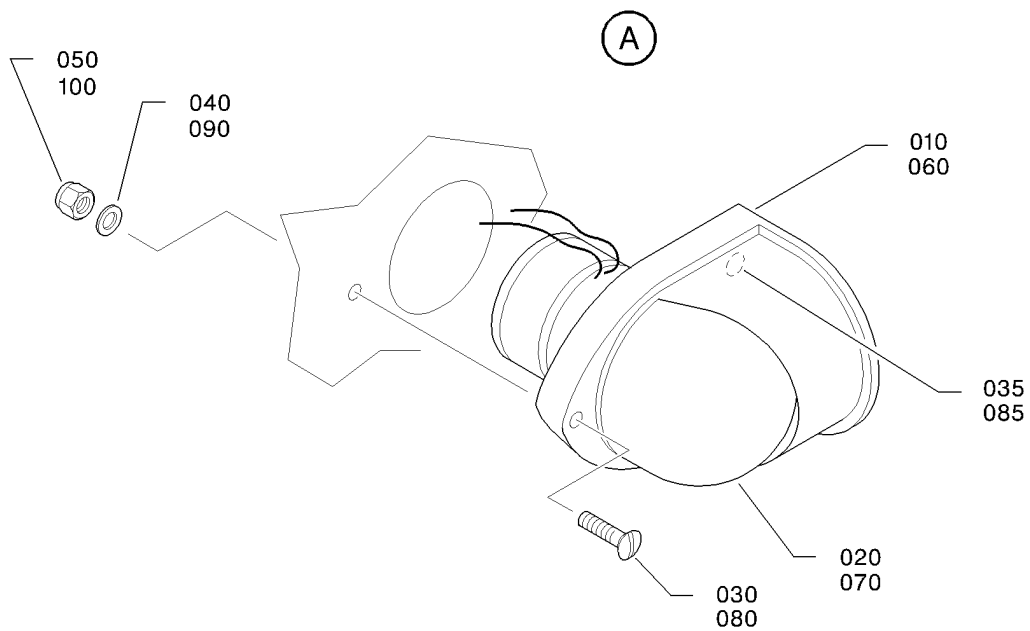
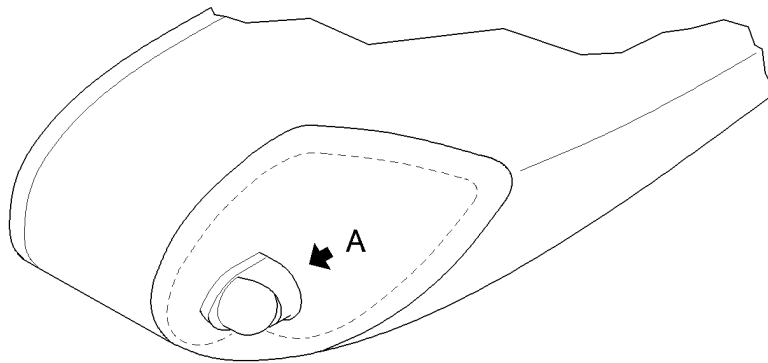
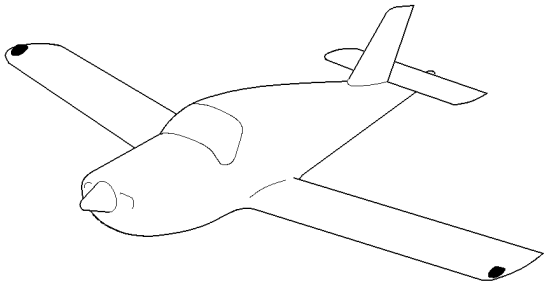
- ITEM NOT ILLUSTRATED

**33-40-02**

FIG. 1

PAGE 1

NOV 30/18



I4334002AAAKYZ4301

NAVIGATION LIGHTS  
FIGURE 1B

**33-40-02**

FIG. 1B

PAGE 0 R

NOV 30/18

FIG.ITEM	PART NUMBER	NOMENCLATURE		EFFECT FROM TO	UNITS PER ASSY	OBS
		1234567 				
1B- 1	TB33-40-02-01B-001		NAVIGATION LIGHTS		RF	
10	TB20 63206002		.L.H. WING RED LIGHT		1	
20	7445450001		..LAMP V10402 OPT TO W1290-28 MADE BY V10402 ATTACHING PARTS		1	
30	5142023039		..SCREW		1	
35	5142023035		..SCREW VF0188		2	
40	5701039160		..WASHER OPT TO NFL23111AD040L MADE BY VF0111		3	R
50	5401458099		..NUT OPT TO E25412B30QQVAL MADE BY VF0110 * * *		3	R
60	TB20 63206001		.R.H. WING GREEN LIGHT		1	
70	7445450001		..LAMP V10402 OPT TO W1290-28 MADE BY V10402 ATTACHING PARTS		1	
80	5142023039		..SCREW		1	
85	5142023035		..SCREW VF0188		2	
90	5701039160		..WASHER OPT TO NFL23111AD040L MADE BY VF0111		3	R
100	5401458099		..NUT OPT TO E25412B30QQVAL MADE BY VF0110 * * *		3	R

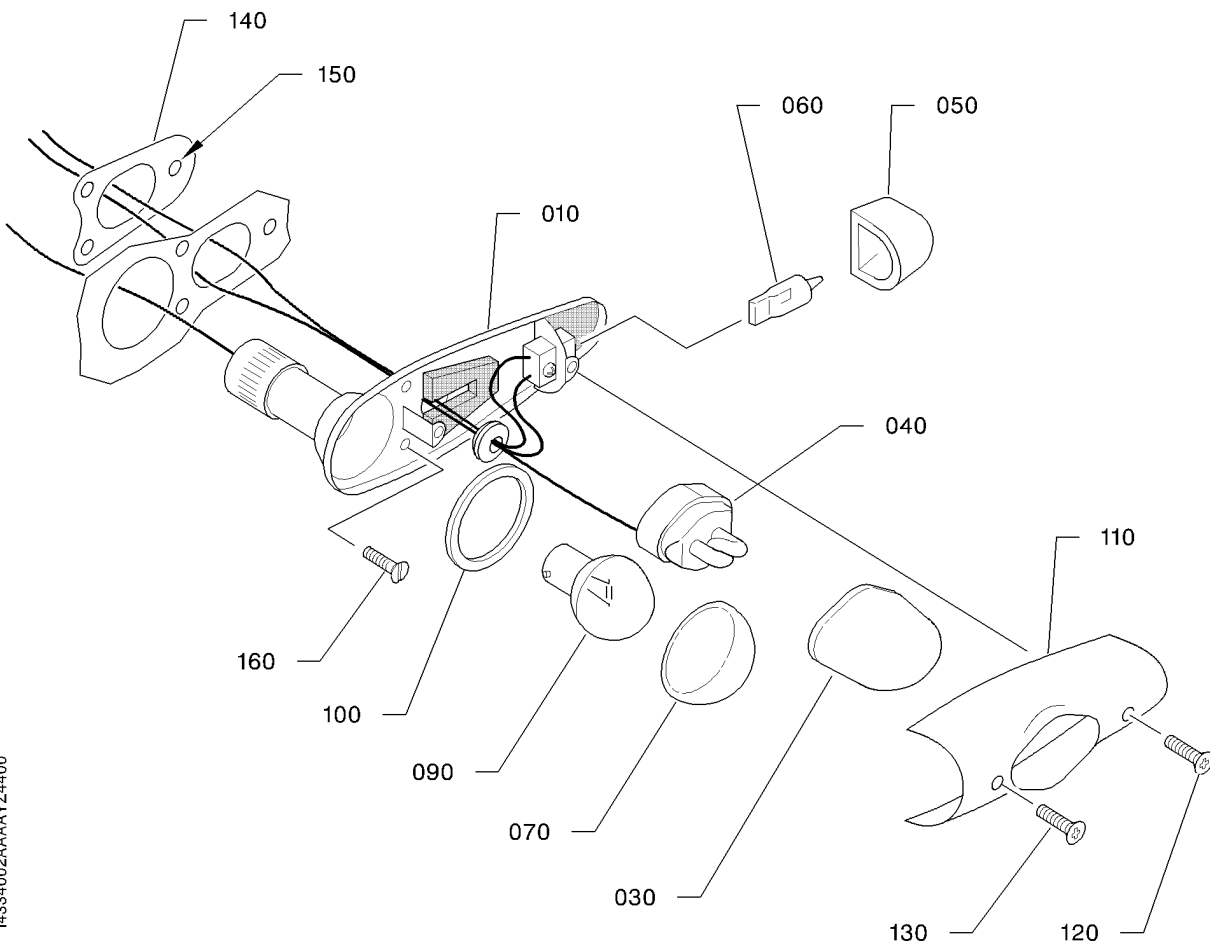
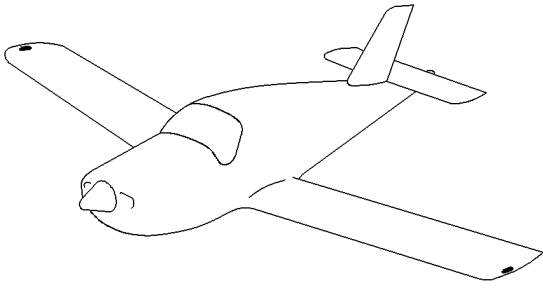
- ITEM NOT ILLUSTRATED

**33-40-02**

FIG. 1B

PAGE 1

NOV 30/18



I4334002AAAAYZ4400

STROBE AND NAVIGATION LIGHTS  
FIGURE 1C

**33-40-02**

FIG. 1C

PAGE 0 R

NOV 30/18

FIG.ITEM	PART NUMBER	1234567 	NOMENCLATURE	EFFECT FROM TO	UNITS PER ASSY	OBS
1C- 1	TB33-40-02-01C-001		STROBE AND NAVIGATION LIGHTS		RF	
10	6096507249		.L.H. STROBE AND NAVIGATION LIGHT ASSY OPT TO 01-079 0006-21 MADE BY V10402		1	R
- 20	6096507251		.R.H. STROBE AND NAVIGATION LIGHT ASSY OPT TO 01-079 0006-20 MADE BY V10402		1	R
30	6096507238		..CLEAR GLASS DOME		1	
40	7445450000		..FLASH TUBE ASSY V10402 OPT TO A610 MADE BY V10402		1	
50	6096507237		..CLEAR GLASS DOME		1	
60	7445450002		..LAMP V10402 OPT TO A508-28 MADE BY V10402		1	
70	6096507234		..RED GLASS DOME		1	
- 80	6096507233		..GREEN GLASS DOME		1	
90	7445450001		..LAMP V10402 OPT TO W1290-28 MADE BY V10402		1	
100	7423451283		..GASKET		1	
110	7109450501		..LENS RETAINER		1	
120	7907450501		..SCREW		1	
130	7907450502		..SCREW		1	
140	TB20 6321200100		.COUNTERPLATE		2	
150	5387300305		..FORCE-FIT NUT ATTACHING PARTS		3	
160	5111929034		..SCREW VF0111 OPT TO NF E27116C30Q12CCU MADE BY VF0111 * * *		6	

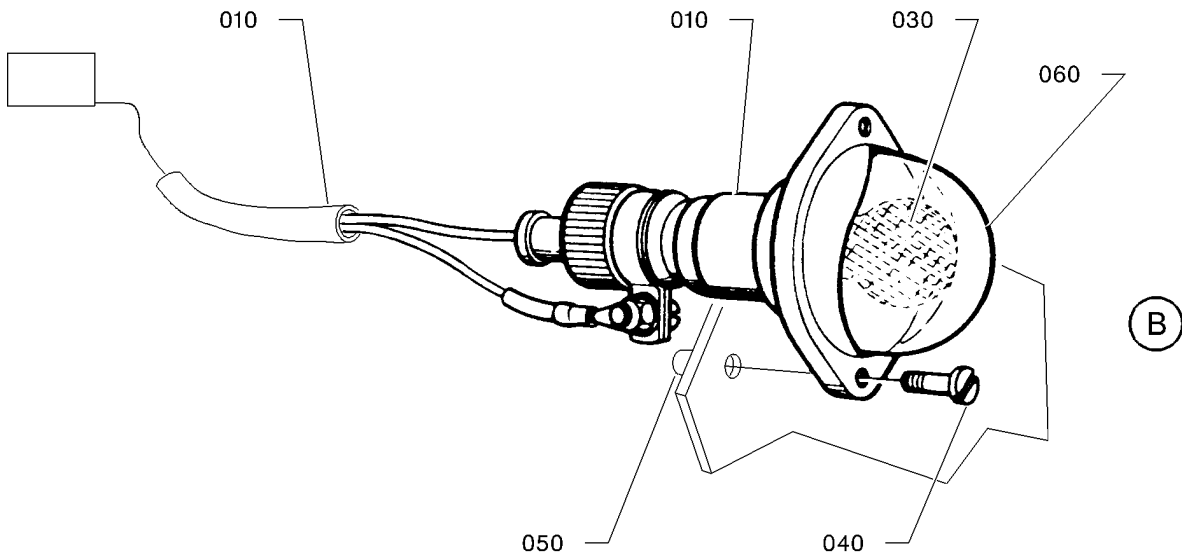
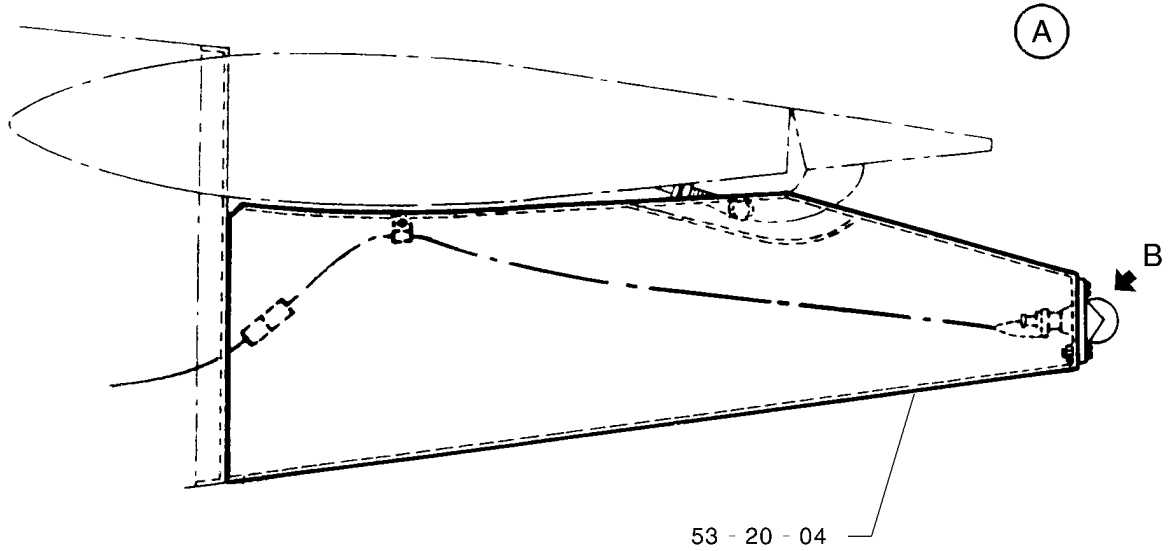
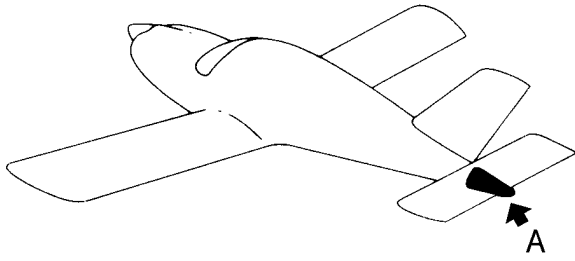
- ITEM NOT ILLUSTRATED

**33-40-02**

FIG. 1C

PAGE 1

NOV 30/18



14334002AAAEEVZ4300

NAVIGATION LIGHTS  
FIGURE 2

**33-40-02**

FIG. 2  
PAGE 0 R

NOV 30/18

S/N 1 - 764, 766 - 822, 850 - 878 ; S/N 765, 823 - 849, 879 - 1850, SEE OPTION

FIG.ITEM	PART NUMBER	1234567 	NOMENCLATURE	EFFECT FROM TO	UNITS PER ASSY	OBS
2 - 1	TF33-40-02-02-001		NAVIGATION LIGHTS		RF	
10	TB10 61110000		.REAR LIGHT ASSY WITHOUT FLASHING OR ANTICOLLISION LIGHTS OPTION FOR MOD. 147 APPLICATION, ORDER 1 KIT OPT10 927200		1	
30	7445771403		..LAMP VF0792 OPT TO 01329-12V MADE BY VF0792 ATTACHING PARTS		1	
40	5111929041		..SCREW		2	
50	5385835513		..NUT		2	
			* * *			
60	7320800157		.DOME		1	

- ITEM NOT ILLUSTRATED

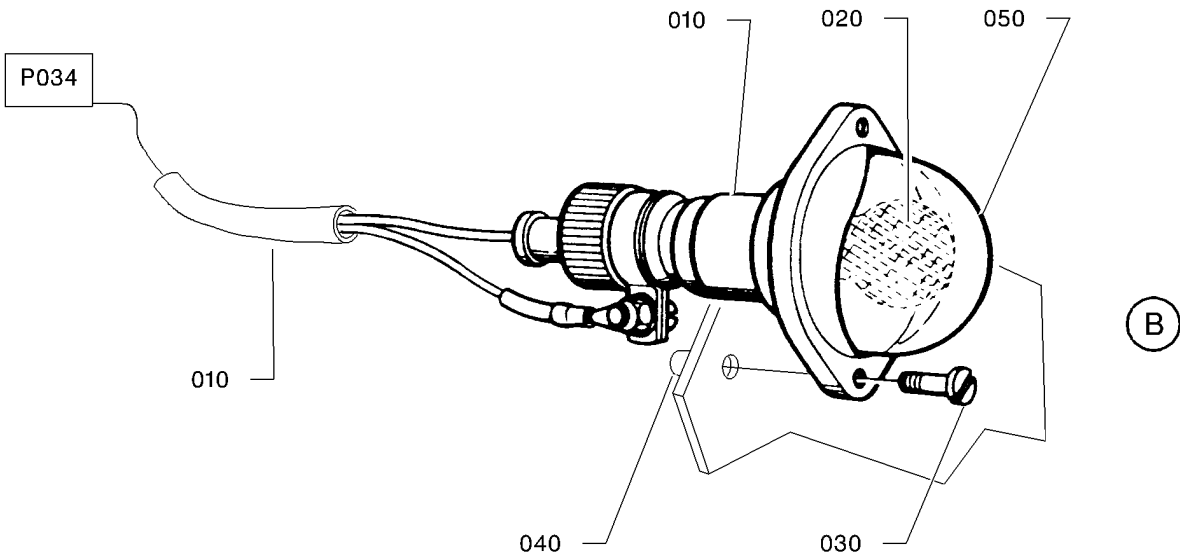
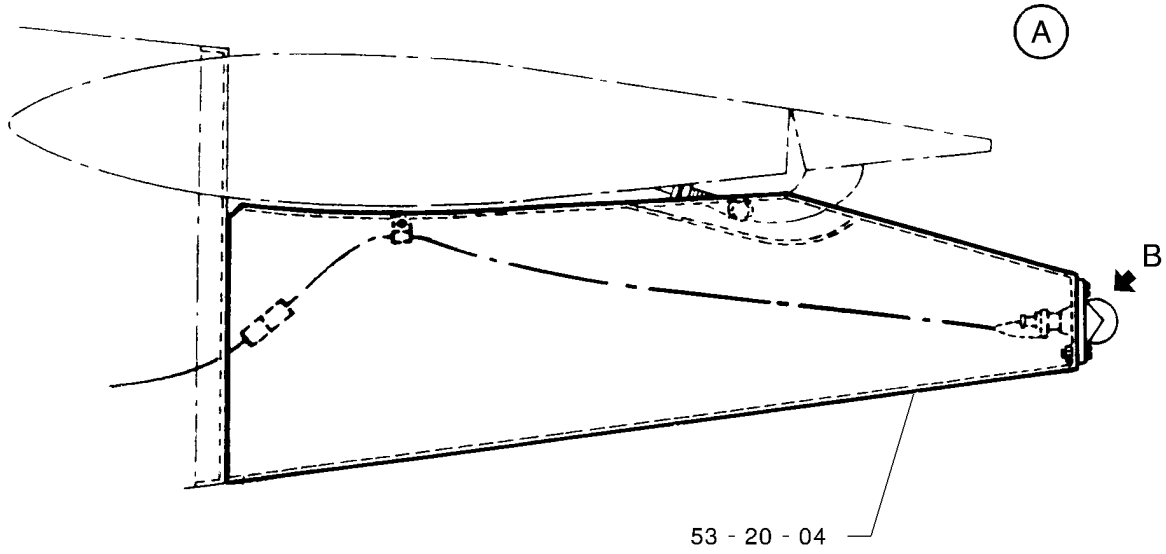
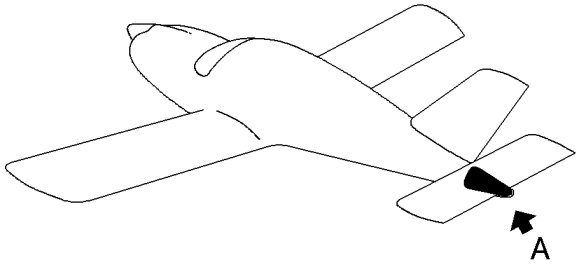
**33-40-02**

FIG. 2

PAGE 1 R

NOV 30/18

S/N 1 - 764, 766 - 822, 850 - 878 ; S/N 765, 823 - 849, 879 - 1850, SEE OPTION



I433402AAABYZ4401

NAVIGATION LIGHTS  
FIGURE 2A

**33-40-02**

FIG. 2A

PAGE 0 R

NOV 30/18

FIG.ITEM	PART NUMBER	1234567 	NOMENCLATURE	EFFECT FROM TO	UNITS PER ASSY	OBS
2A- 1	TF33-40-02-02A-001		NAVIGATION LIGHTS		RF	
10	TB20 63205001		.REAR LIGHT ASSY		1	
20	7445450002		..LAMP V10402 OPT TO A508-28 MADE BY V10402 ATTACHING PARTS		1	
30	5111929046		..SCREW VF0110 OPT TO E27116C30Q20CCU MADE BY VF0110		2	
40	5385835513		..NUT		2	
			* * *			
50	7320800157		.DOME		1	

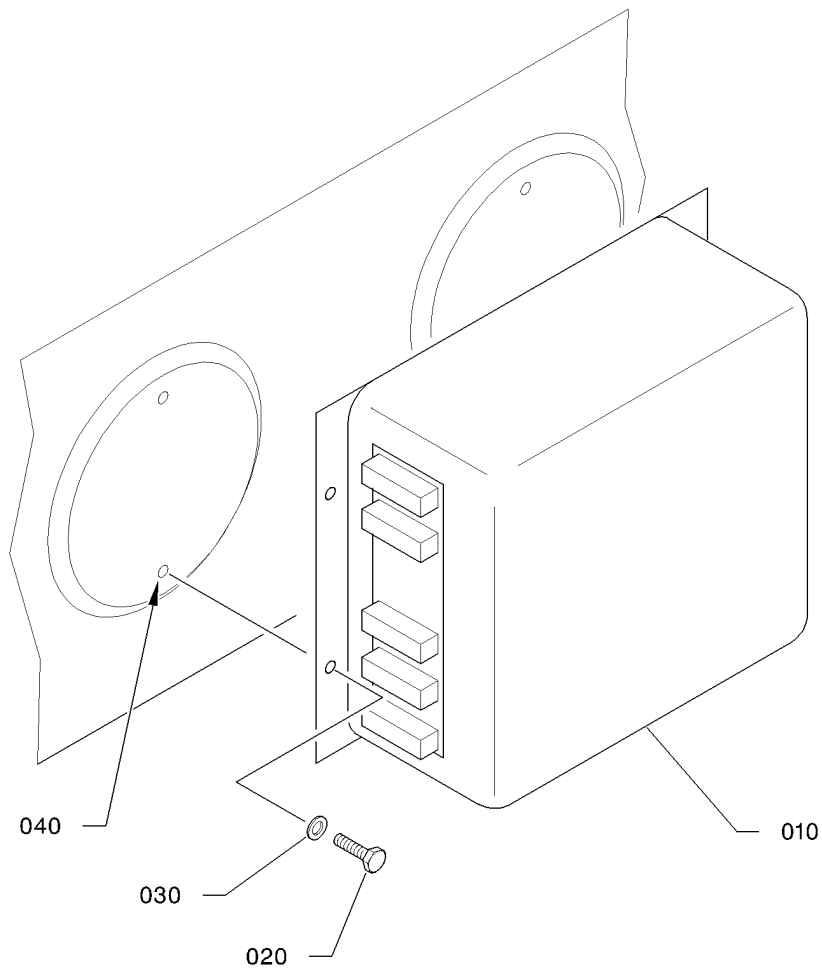
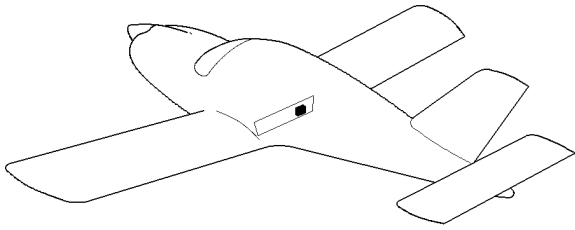
- ITEM NOT ILLUSTRATED

**33-40-02**

FIG. 2A

PAGE 1 R

NOV 30/18



I4334002AAAAAYZ4500

STROBE LIGHT POWER SUPPLY  
FIGURE 1

**33-40-03**

FIG. 1  
PAGE 0 R

NOV 30/18

FIG.ITEM	PART NUMBER	1234567 	NOMENCLATURE	EFFECT FROM TO	UNITS PER ASSY	OBS
1 - 1	TB33-40-03-01-001		STROBE LIGHT POWER SUPPLY		RF	
10	6004127223		.STROBE LIGHT POWER SUPPLY OPT TO A413A-HDA-CF MADE BY V10402		1	R
20	5102953078		ATTACHING PARTS .BOLT OPT TO E27311H40Q12AGUL MADE BY VF0110		4	R
30	5701039160		.WASHER OPT TO NFL23111AD040L MADE BY VF0111		4	R
40	5431465159		.ANCHOR NUT, ONE LUG VF0224 OPT TO 4AJ109M MADE BY VF0224 * * *		4	

- ITEM NOT ILLUSTRATED

**33-40-03**

FIG. 1

PAGE 1

NOV 30/18

PAGE INTENTIONALLY BLANK