

34

NAVIGATION

CHAPTER 34
NAVIGATION
LIST OF EFFECTIVE PAGES

CH-SECT	UNIT-FIG	PAGE	DATE	CH-SECT	UNIT-FIG	PAGE	DATE
LEP		1 *	NOV 30/18	34-11-06	1A	0 *	NOV 30/18
LEP		2 *	NOV 30/18	34-11-06	1A	1 *	NOV 30/18
TOC		1 *	NOV 30/18	34-11-07	1	0 *	NOV 30/18
TOC		2 *	NOV 30/18	34-11-07	1	1 *	NOV 30/18
TOC		3 *	NOV 30/18	34-11-07	1A	0 *	NOV 30/18
TOC		4 *	NOV 30/18	34-11-07	1A	1 *	NOV 30/18
TOC		5 *	NOV 30/18	34-13-00	1	0 *	NOV 30/18
TOC		6 *	NOV 30/18	34-13-00	1	1 *	NOV 30/18
TOC		7 *	NOV 30/18	34-20-00	1	0 *	NOV 30/18
34-00-00	1	0 *	NOV 30/18	34-20-00	1	1 *	NOV 30/18
34-00-00	1	1 *	NOV 30/18	34-22-01	1	0 *	NOV 30/18
34-10-00	1	0 *	NOV 30/18	34-22-01	1	1 *	NOV 30/18
34-10-00	1	1 *	NOV 30/18	34-22-05	1	0 *	NOV 30/18
34-11-00	1	0 *	NOV 30/18	34-22-05	1	1 *	NOV 30/18
34-11-00	1	1 *	NOV 30/18	34-23-00	1	0 *	NOV 30/18
34-11-00	1A	0 *	NOV 30/18	34-23-00	1	1 *	NOV 30/18
34-11-00	1A	1 *	NOV 30/18	34-23-00	1A	0 *	NOV 30/18
34-11-00	1A	2 *	NOV 30/18	34-23-00	1A	1 *	NOV 30/18
34-11-00	1A	3 *	NOV 30/18	34-23-00	1B	0 *	NOV 30/18
34-11-01	1	0 *	NOV 30/18	34-23-00	1B	1 *	NOV 30/18
34-11-01	1	1 *	NOV 30/18	34-30-00	1	0 *	NOV 30/18
34-11-01	1A	0 *	NOV 30/18	34-30-00	1	1 *	NOV 30/18
34-11-01	1A	1 *	NOV 30/18	34-40-00	1	0 *	NOV 30/18
34-11-01	1B	0 *	NOV 30/18	34-40-00	1	1 *	NOV 30/18
34-11-01	1B	1 *	NOV 30/18	34-50-00	1	0 *	NOV 30/18
34-11-01	1C	0 *	NOV 30/18	34-50-00	1	1 *	NOV 30/18
34-11-01	1C	1 *	NOV 30/18	34-51-04	1	0 *	NOV 30/18
34-11-02	1	0 *	NOV 30/18	34-51-04	1	1 *	NOV 30/18
34-11-02	1	1 *	NOV 30/18	34-51-04	2	0 *	NOV 30/18
34-11-02	1A	0 *	NOV 30/18	34-51-04	2	1 *	NOV 30/18
34-11-02	1A	1 *	NOV 30/18	34-51-04	2	2 *	NOV 30/18
34-11-03	1	0 *	NOV 30/18				
34-11-03	1	1 *	NOV 30/18				
34-11-03	1A	0 *	NOV 30/18				
34-11-03	1A	1 *	NOV 30/18				
34-11-03	1B	0 *	NOV 30/18				
34-11-03	1B	1 *	NOV 30/18				
34-11-04	1	0 *	NOV 30/18				
34-11-04	1	1 *	NOV 30/18				
34-11-06	1	0 *	NOV 30/18				
34-11-06	1	1 *	NOV 30/18				

* THE ASTERISK INDICATES PAGES CHANGED, ADDED OR DELETED

34 - LIST OF EFFECTIVE PAGES

PAGE 1

PAGE INTENTIONALLY BLANK

34 - LIST OF EFFECTIVE PAGES

PAGE 2

NOV 30/18

CHAPTER 34
NAVIGATION
TABLE OF CONTENTS

SUBJECT	CHAPTER SECTION SUBJECT	FIG. SUBJECT	VALIDITY
NAVIGATION	34-00		
NAVIGATION	34-00-00	1	S/N 1 - 9999

SUBJECT	CHAPTER SECTION FIG. SUBJECT	VALIDITY
ENVIRONMENT (DYNAMIC-STATIC SYSTEMS)	34-10	
FLIGHT ENVIRONMENT DATA	34-10-00 1	S/N 1 - 9999
AIR DATA SYSTEMS	34-11-00	
AIR DATA SYSTEMS	34-11-00 1	S/N 1 - 892
AIR DATA SYSTEMS	34-11-00 1A	S/N 893 - 9999
AIRSPEED INDICATOR	34-11-01 1	S/N 1 - 730
AIRSPEED INDICATOR	34-11-01 1A	S/N 731 - 764, 766 - 822, 850 - 878
AIRSPEED INDICATOR	34-11-01 1B	S/N 765, 879 - 887, 889 - 947
AIRSPEED INDICATOR	34-11-01 1C	S/N 823 - 849, 888, 948 - 9999
VERTICAL SPEED INDICATOR	34-11-02 1	OPTION
VERTICAL SPEED INDICATOR	34-11-02 1A	S/N 1 - 9999 POST-MOD. 151
ALTIMETER	34-11-03 1	S/N 1 - 730
ALTIMETER	34-11-03 1A	S/N 731 - 822, 850 - 887, 889 - 947
ALTIMETER	34-11-03 1B	S/N 823 - 849, 888, 948 - 9999
ALTI-CODER	34-11-04 1	OPTION
PITOT TUBE	34-11-06 1	S/N 1 - 9999 PRE-MOD. 151
PITOT TUBE	34-11-06 1A	S/N 1 - 9999 POST-MOD. 151
EMERGENCY STATIC VALVE	34-11-07 1	OPTION PRE-MOD. 151
EMERGENCY STATIC VALVE	34-11-07 1A	S/N 1 - 9999 POST-MOD. 151
OUTSIDE AIR TEMPERATURE	34-13-00	
OUTSIDE AIR TEMPERATURE	34-13-00 1	S/N 1 - 9999 POST-MOD. 151

34 - TABLE OF CONTENTS

PAGE 2

NOV 30/18

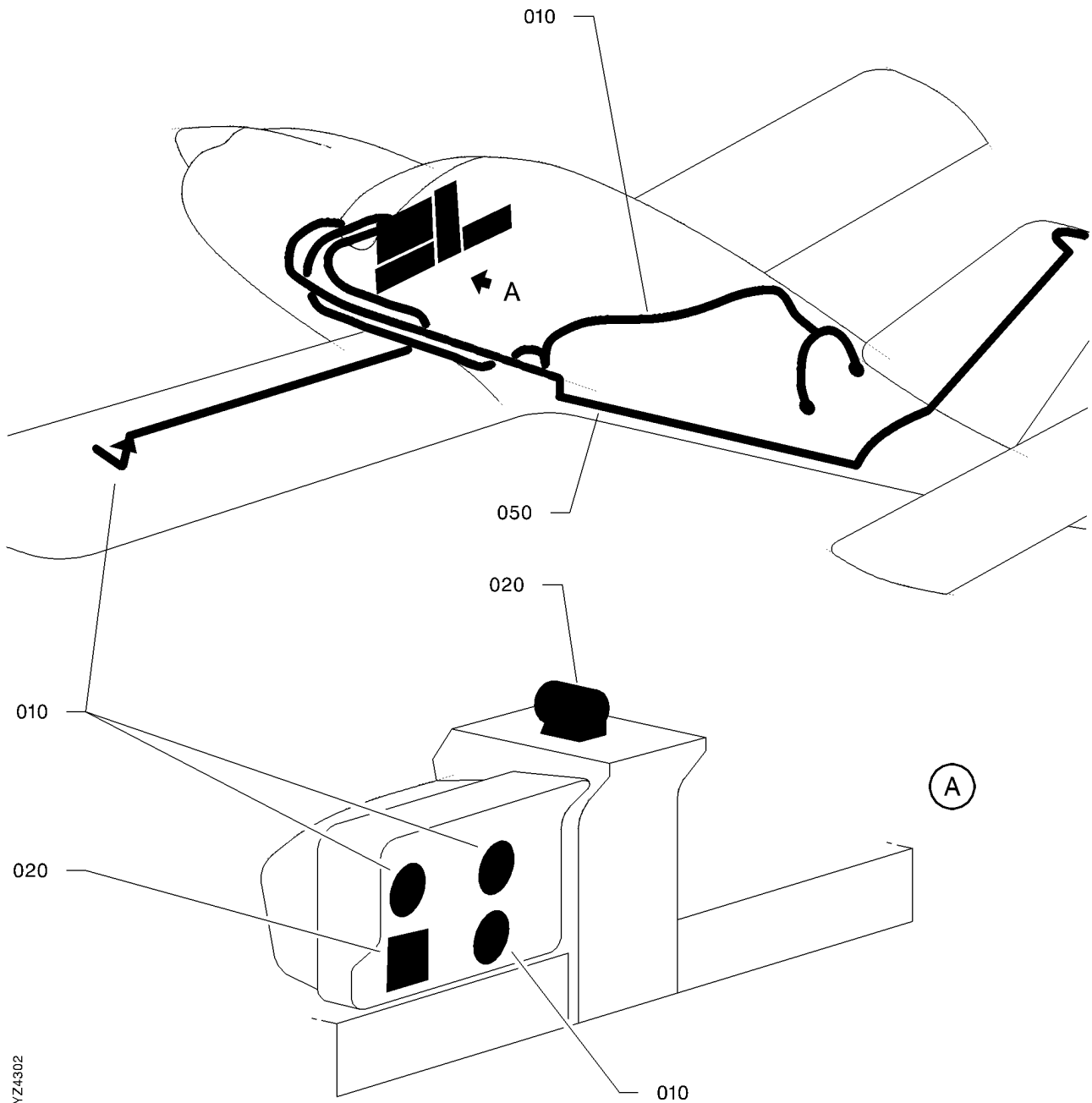
SUBJECT	CHAPTER SECTION FIG. SUBJECT	VALIDITY
ATTITUDE AND DIRECTION	34-20	
ATTITUDE AND DIRECTION	34-20-00 1	S/N 1 - 9999
LATERAL LEVEL	34-22-00	
TURN COORDINATOR	34-22-01 1	S/N 1 - 9999 POST-MOD. 151
LATERAL LEVEL	34-22-05 1	S/N 1 - 9999
MAGNETIC COMPASS	34-23-00	
MAGNETIC COMPASS	34-23-00 1	S/N 1 - 100
MAGNETIC COMPASS	34-23-00 1A	S/N 101 - 822, 850 - 887, 889 - 947
MAGNETIC COMPASS	34-23-00 1B	S/N 823 - 849, 888, 948 - 9999

SUBJECT	CHAPTER SECTION FIG. SUBJECT	VALIDITY
LANDING AND TAXIING AIDS	34-30	
LANDING AND TAXIING AIDS	34-30-00 1	OPTION

SUBJECT	CHAPTER SECTION FIG. SUBJECT	VALIDITY
INDEPENDENT POSITION DETERMINING	34-40	
INDEPENDENT POSITION DETERMINING	34-40-00 1	OPTION

SUBJECT	CHAPTER SECTION FIG. SUBJECT	VALIDITY
DEPENDENT POSITION DETERMINING SYSTEM	34-50	
DEPENDENT POSITION DETERMINING	34-50-00 1	S/N 1 - 9999
VOR CAPABILITY	34-51-00	
VOR ANTENNA	34-51-04 1	S/N 1 - 9999 POST-MOD. 151
GLIDE AERIALS	34-51-04 2	S/N 1 - 9999 POST-MOD. 151

PAGE INTENTIONALLY BLANK



1434000AAAFYZ4302

NAVIGATION
FIGURE 1

34-00-00

FIG. 1
PAGE 0 R

NOV 30/18

FIG.ITEM	PART NUMBER	1234567 	NOMENCLATURE	EFFECT FROM TO	UNITS PER ASSY	OBS
1 - 1	TB34-00-00-01-001		NAVIGATION		RF	
10	TB34-10-00-01		.FLIGHT ENVIRONMENT DATA		1	R
20	TB34-20-00-01		.ATTITUDE AND DIRECTION		1	
- 30	TB34-30-00-01		.LANDING AND TAXIING AIDS		1	
- 40	TB34-40-00-01		.INDEPENDENT POSITION DETERMINING		1	
50	TB34-50-00-01		.DEPENDENT POSITION DETERMINING		1	R

- ITEM NOT ILLUSTRATED

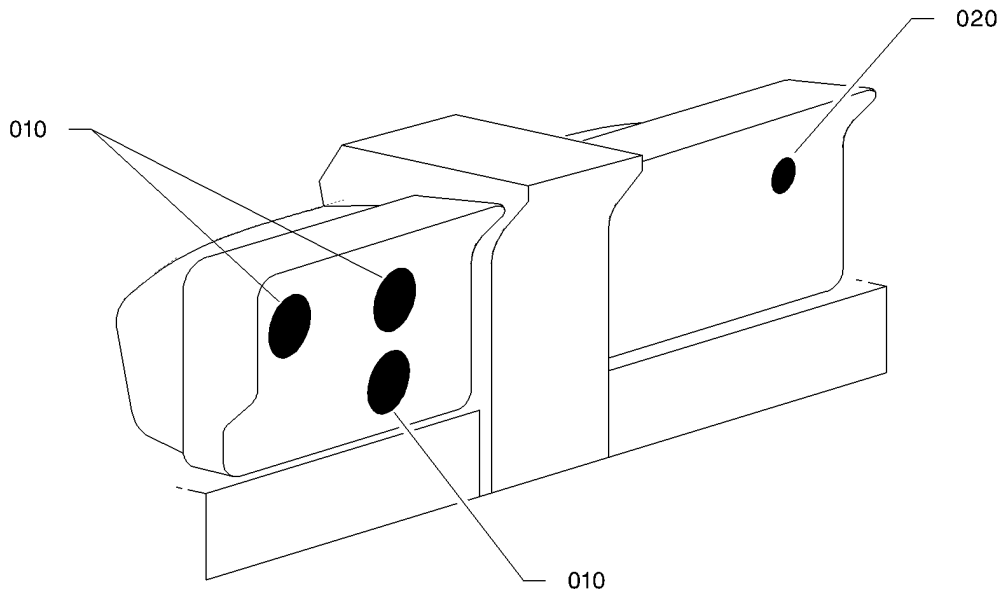
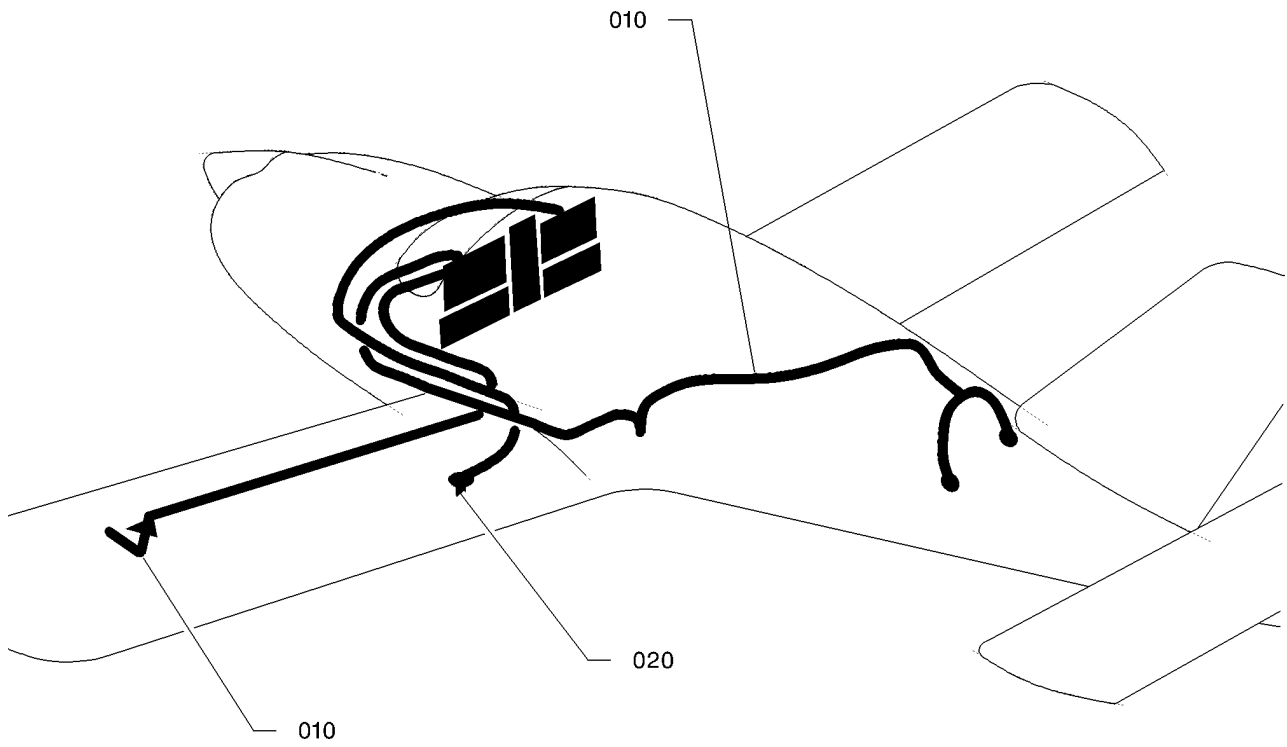
34-00-00

FIG. 1

PAGE 1

NOV 30/18

S/N 1 - 9999



I4340000AAA FYZ4501

FLIGHT ENVIRONMENT DATA
FIGURE 1

34-10-00

FIG. 1
PAGE 0 R

NOV 30/18

FIG.ITEM	PART NUMBER	NOMENCLATURE	EFFECT FROM TO	UNITS PER ASSY	OBS
1 - 1 10 20	TB34-10-00-01-001 TB34-11-00-01 34-13-OPT	1234567 FLIGHT ENVIRONMENT DATA .AIR DATA SYSTEMS .OUTSIDE AIR TEMPERATURE		RF 1 1	R

- ITEM NOT ILLUSTRATED

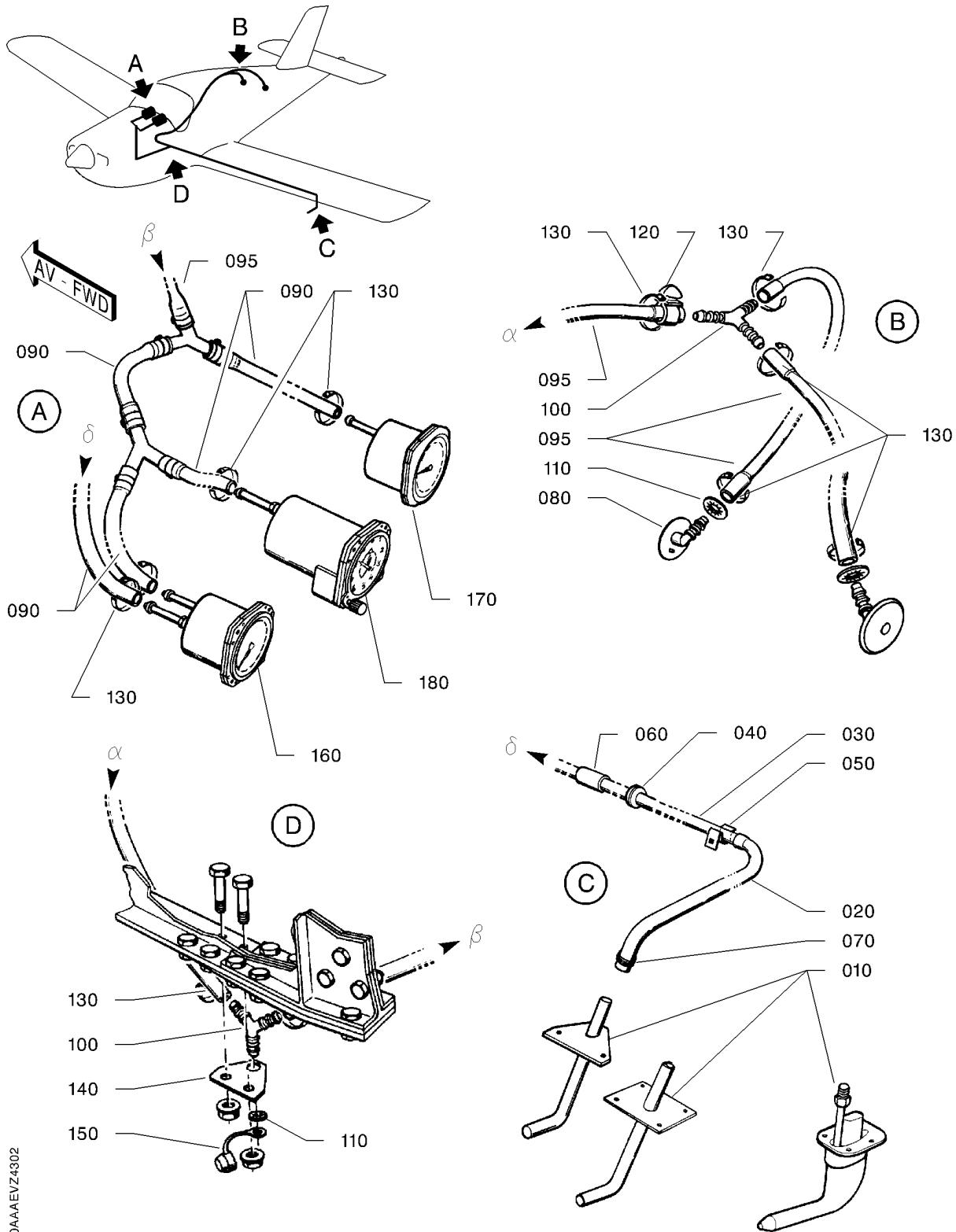
34-10-00

FIG. 1

PAGE 1

NOV 30/18

S/N 1 - 9999



14341000AAAENZ4302

AIR DATA SYSTEMS
FIGURE 1

34-11-00

FIG. 1

PAGE 0 R

NOV 30/18

FIG. ITEM	PART NUMBER	NOMENCLATURE		EFFECT FROM TO	UNITS PER ASSY	OBS
		1234567 				
1 - 1	TB34-11-00-01-001		AIR DATA SYSTEMS		RF	
10	TB34-11-06-01		.PITOT TUBE		1	
20	4381430576		.HOSE		AR	R
			RPLD BY 4386494710			
- 20A	4386494710		.HOSE		1	
			RPLS 4381430576			
30	TB10 77000102		.PIPE		1	
40	7681924604		.GROMMET		2	R
			OPT TO 551-30 MADE BY VF0232			
50	7675680185		.CLIP		4	R
			OPT TO 185 MADE BY VFA870			
60	7234438000		.UNION		1	
70	7141230011		.CLAMP		1	R
			OPT TO 66-100 MADE BY VF0335			
80	TB30 77015100		.STATIC PORT		2	
90	4381430576		.HOSE		AR	R
			RPLD BY 4281621007			
- 90A	4281621007		.HOSE		AR	
			RPLS 4381430576			
95	4381430576		.HOSE		AR	R
			RPLD BY 4085881010			
- 95A	4085881010		.HOSE		AR	
			RPLS 4381430576			
100	7234438007		.Y-FITTING		4	R
			OPT TO Y56 MADE BY VF1567			
110	5730003080		.RETAINING WASHER		1	R
			OPT TO 6704.1080 MADE BY VK3847			
120	7141680360		.CLAMP		3	R
			OPT TO 360 MADE BY VFA870			
130	7141235193		.CLAMP		17	R
			OPT TO 30-2-000-090 MADE BY VF0335			
140	TB10 77000111		.BLEED SUPPORT		1	
150	7130112402		.CAP	VF6069	1	NP
			OPT TO GPN980-0201 MADE BY VF6069			
			RPLD BY 7130112418			
-150A	7130112418		.CAP		1	
			RPLS 7130112402			
160	TB34-11-01-01		.AIRSPEED INDICATOR		1	
170	TB34-11-02-01		.VERTICAL SPEED INDICATOR		1	
180	TB34-11-03-01		.ALTIMETER		1	
-190	TB34-11-04-01		.ALTI-CODER		1	
-200	TB34-11-07-01		.EMERGENCY STATIC VALVE		1	

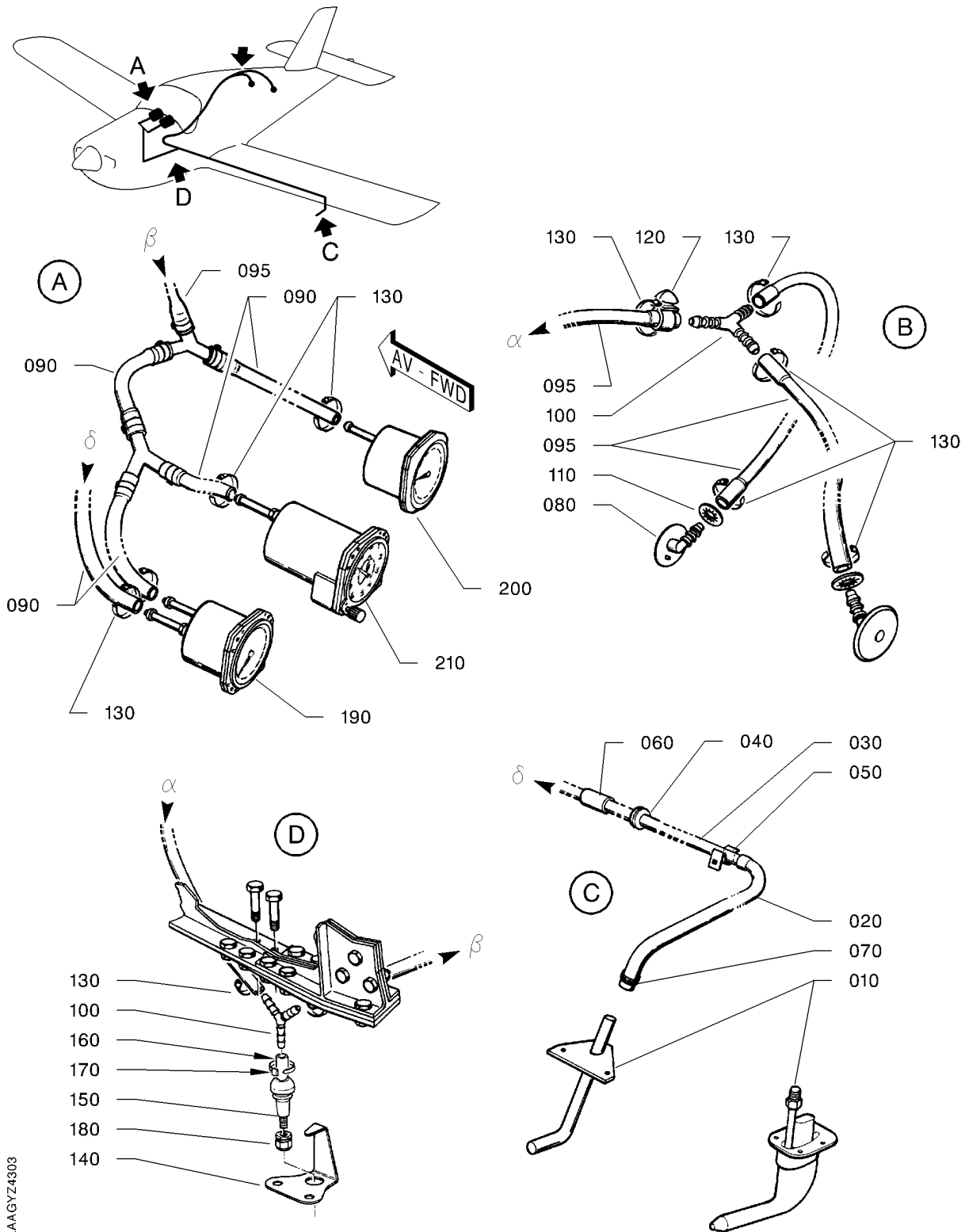
- ITEM NOT ILLUSTRATED

34-11-00

FIG. 1

PAGE 1

NOV 30/18



14341000AAGY24303

AIR DATA SYSTEMS
FIGURE 1A

34-11-00

FIG. 1A

PAGE 0 R

NOV 30/18

FIG.ITEM	PART NUMBER	NOMENCLATURE		EFFECT FROM TO	UNITS PER ASSY	OBS
		1234567 				
1A- 1	TB34-11-00-01A-001		AIR DATA SYSTEMS		RF	
10	TB34-11-06-01		.PITOT TUBE		1	
20	4381430576		.HOSE		AR	R
			RPLD BY 4386494710			
- 20A	4386494710		.HOSE		1	
			RPLS 4381430576			
30	TB10 77000102		.PIPE		1	
40	7681924604		.GROMMET		2	R
			OPT TO 551-30 MADE BY VF0232			
50	7675680185		.CLIP		4	R
			OPT TO 185 MADE BY VFA870			
60	7234438000		.UNION		1	
70	7141230011		.CLAMP		1	R
			OPT TO 66-100 MADE BY VF0335			
80	TB30 77015100		.STATIC PORT		2	
90	4381430576		.HOSE		AR	R
			RPLD BY 4281621007			
- 90A	4281621007		.HOSE		AR	
			RPLS 4381430576			
95	4381430576		.HOSE		AR	R
			RPLD BY 4085881010			
- 95A	4085881010		.HOSE		AR	
			RPLS 4381430576			
100	7234438007		.Y-FITTING		4	R
			OPT TO Y56 MADE BY VF1567			
110	5730003080		.RETAINING WASHER		2	R
			OPT TO 6704.1080 MADE BY VK3847			
120	7141680360		.CLAMP		3	R
			OPT TO 360 MADE BY VFA870			
130	7141235193		.CLAMP		17	R
			OPT TO 30-2-000-090 MADE BY VF0335			
140	TB10 77000125		.BLEED SUPPORT		1	
150	7886120413		.VALVE		1	R
			OPT TO TR413 MADE BY VF0635			
160	4381421115		.HOSE		AR	R
			OPT TO ADROPLAST 220 8X1.5 MADE BY VF2713			
			RPLD BY 4381350668			
-160A	4381350668		.SEMI-RIGID PIPE		AR	R
			RPLS 4381421115			
170	7141235193		.CLAMP		1	R
			OPT TO 30-2-000-090 MADE BY VF0335			
180	7079118718		.CAP		1	R
			OPT TO VPI28718.68(4510.2) MADE BY VF0826			

- ITEM NOT ILLUSTRATED

34-11-00

FIG. 1A

PAGE 1

NOV 30/18

FIG.ITEM	PART NUMBER	NOMENCLATURE		EFFECT FROM TO	UNITS PER ASSY	OBS
		1234567 				
1A 190	TB34-11-01-01		.AIRSPEED INDICATOR		1	
200	TB34-11-02-01		.VERTICAL SPEED INDICATOR		1	
210	TB34-11-03-01		.ALTIMETER		1	
-220	TB34-11-04-01		.ALTI-CODER		1	
-230	TB34-11-07-01		.EMERGENCY STATIC VALVE		1	

- ITEM NOT ILLUSTRATED

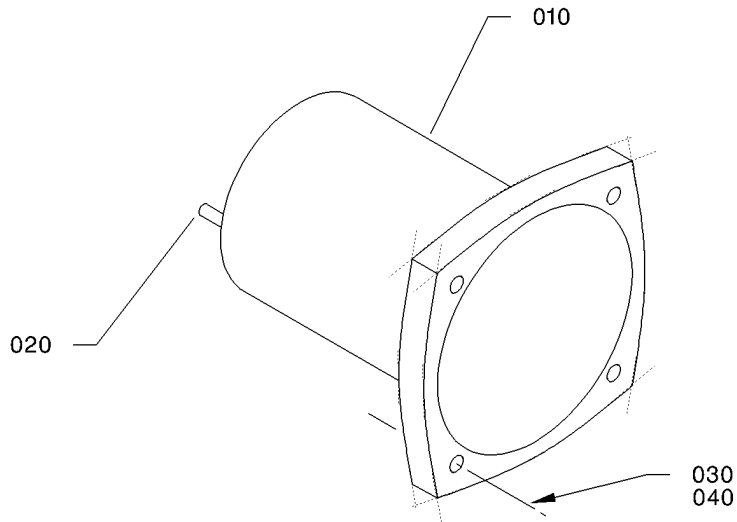
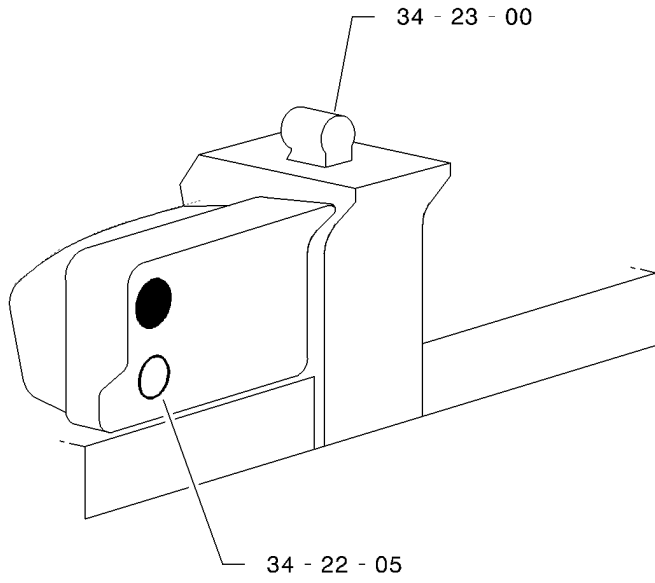
34-11-00

FIG. 1A

PAGE 2 R

NOV 30/18

PAGE INTENTIONALLY BLANK



14341000AAAACVZ4801

AIRSPPEED INDICATOR
FIGURE 1

34-11-01

FIG. 1
PAGE 0 R

NOV 30/18

FIG. ITEM	PART NUMBER	1234567 	NOMENCLATURE	EFFECT FROM TO	UNITS PER ASSY	OBS
1 - 1	TF34-11-01-01-001		AIRSPEED INDICATOR		RF	
10	TB09 72002002		.AIRSPEED INDICATOR WITHOUT KIT OPT10 923700		1	
- 10A	TB09 72002003		.AIRSPEED INDICATOR WITHOUT KIT OPT10 923700		1	
- 10B	6074687234		.TRUE AIRSPEED INDICATOR V16455 OPT TO PN8100CODE-B615 MADE BY V16455 WITH KIT OPT10 923700		1	
20	7730062372		.ADAPTER V88044 OPT TO AN 840 - 4D MADE BY V88044		2	
30	5111929055		ATTACHING PARTS .SCREW RPLD BY 5165691139		4	NP
- 30A	5165691139		.SCREW OPT TO AN515C6-20 MADE BY V88044 RPLS 5111929055		4	
40	5385833099		.NUT VF0580 OPT TO A8943-350 MADE BY VF0580 RPLD BY 5385832137		4	NP
- 40A	5385832137		.NUT V80205 OPT TO NAS487.20 MADE BY V80205 RPLS 5385833099 RPLD BY 5385832135		4	NP
- 40B	5385832135		.NUT VF3341 OPT TO NSA5487-17 MADE BY VF3341 RPLS 5385832137 * * *		4	

- ITEM NOT ILLUSTRATED

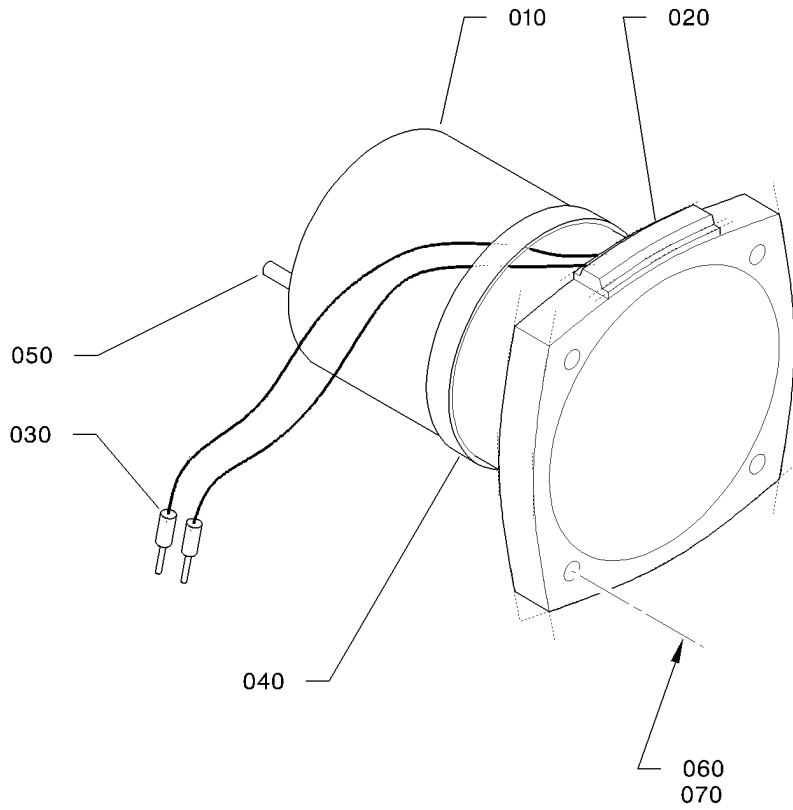
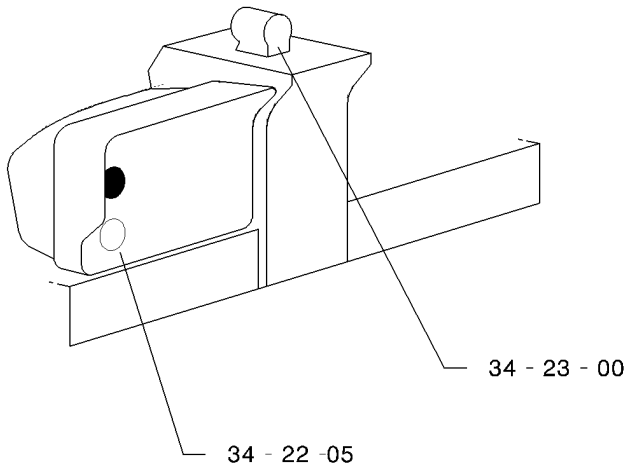
34-11-01

FIG. 1

PAGE 1 R

NOV 30/18

S/N 1 - 730



I4341104AAAAVZ4500

AIRSPEED INDICATOR
FIGURE 1A

34-11-01

FIG. 1A
PAGE 0 R

NOV 30/18

FIG.ITEM	PART NUMBER	1234567 	NOMENCLATURE	EFFECT FROM TO	UNITS PER ASSY	OBS
1A- 1	TF34-11-01-01A-001		AIRSPEED INDICATOR		RF	
10	6074687234		.TRUE AIRSPEED INDICATOR V16455 OPT TO PN8100CODE-B615 MADE BY V16455 TO BE ORDERED WITH THE TRUE AIRSPEED INDICATOR THE LIGHT TRAY 7719640014 + MALE PLUGS 7275940000 (QTY 2)		1	
20	7719640014		..LIGHT TRAY V16455 OPT TO BA14-24BW3 MADE BY V16455 TO BE ORDERED WITH MALE PLUGS 7275940000 (QTY 2)		1	
30	7275940000		.MALE CONNECTOR V59730 OPT TO RZBM-N MADE BY V59730		2	
40	7141940034		.TIE-WRAP VF6728 OPT TO TY244 MADE BY VF6728		1	
50	7730062372		.ADAPTER V88044 OPT TO AN 840 - 4D MADE BY V88044		2	
60	5111929055		ATTACHING PARTS .SCREW RPLD BY 5165691139		4	NP
- 60A	5165691139		.SCREW OPT TO AN515C6-20 MADE BY V88044 RPLS 5111929055		4	
70	5385833099		.NUT VF0580 OPT TO A8943-350 MADE BY VF0580 RPLD BY 5385832137		4	NP
- 70A	5385832137		.NUT V80205 OPT TO NAS487.20 MADE BY V80205 RPLS 5385833099 RPLD BY 5385832135		4	NP
- 70B	5385832135		.NUT VF3341 OPT TO NSA5487-17 MADE BY VF3341 RPLS 5385832137 * * *		4	

- ITEM NOT ILLUSTRATED

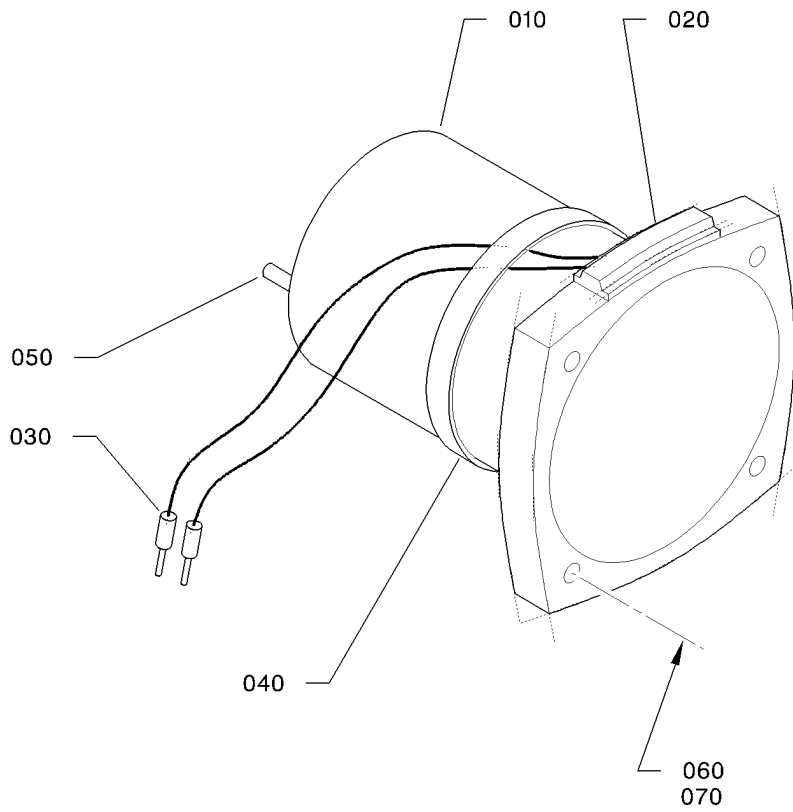
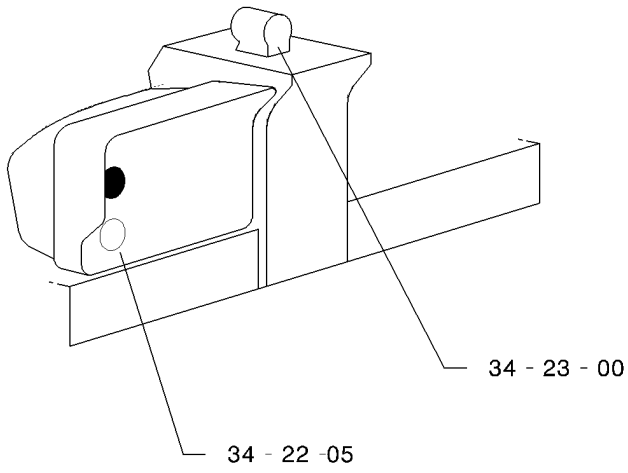
34-11-01

FIG. 1A

PAGE 1 R

NOV 30/18

S/N 731 - 764, 766 - 822, 850 - 878



I4341104AAAAVZ4500

AIRSPPEED INDICATOR
FIGURE 1B

34-11-01

FIG. 1B

PAGE 0 R

NOV 30/18

FIG.ITEM	PART NUMBER	1234567 	NOMENCLATURE	EFFECT FROM TO	UNITS PER ASSY	OBS
1B- 1	TF34-11-01-01B-001		AIRSPEED INDICATOR		RF	
10	6074687234		.TRUE AIRSPEED INDICATOR V16455 OPT TO PN8100CODE-B615 MADE BY V16455		1	
20	33-10-OPT-01		..LIGHT TRAY		1	R
30	33-10-OPT-02		.MALE PLUG		2	R
40	7141940034		.TIE-WRAP VF6728 OPT TO TY244 MADE BY VF6728		1	
50	7730062372		.ADAPTER V88044 OPT TO AN 840 - 4D MADE BY V88044		2	
60	5165691139		ATTACHING PARTS .SCREW OPT TO AN515C6-20 MADE BY V88044		4	
70	5385832137		.NUT V80205 OPT TO NAS487.20 MADE BY V80205 RPLD BY 5385832135		4	NP
- 70A	5385832135		.NUT VF3341 OPT TO NSA5487-17 MADE BY VF3341 RPLS 5385832137 * * *		4	
80	TB09 72110000		.AIRSPEED INDICATOR ASSY SPECIFIC FOR FRENCH		1	
90	7730062372		..ADAPTER V88044 OPT TO AN 840 - 4D MADE BY V88044 SPECIFIC FOR FRENCH ATTACHING PARTS		2	
100	5166691133		..SCREW OPT TO AN515C6R16 MADE BY V88044 SPECIFIC FOR FRENCH		4	
110	5385832135		..NUT V80205 OPT TO NSA5487-17 MADE BY VF3341 SPECIFIC FOR FRENCH * * *		4	

- ITEM NOT ILLUSTRATED

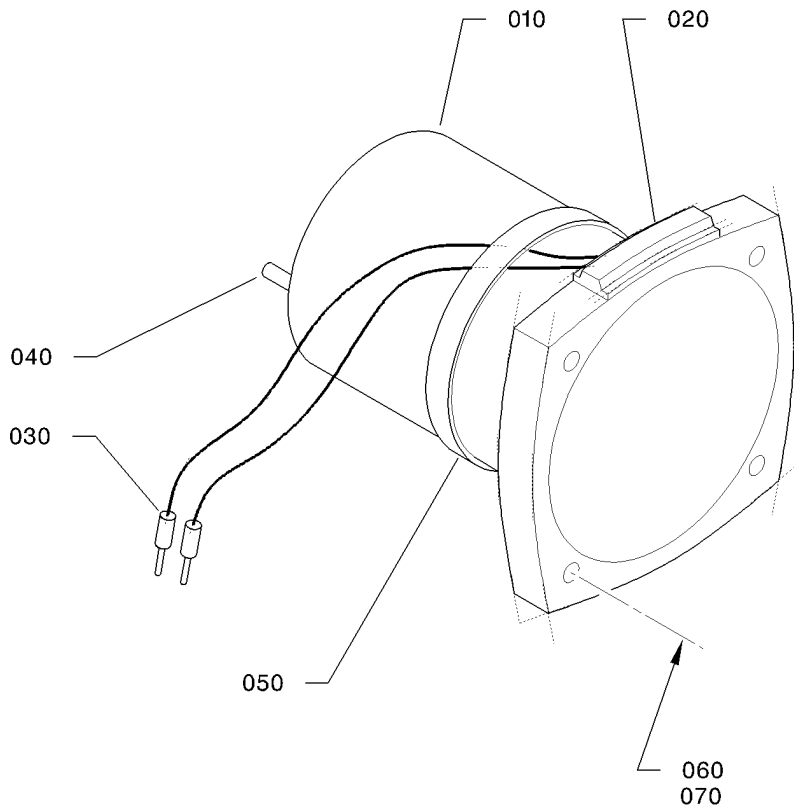
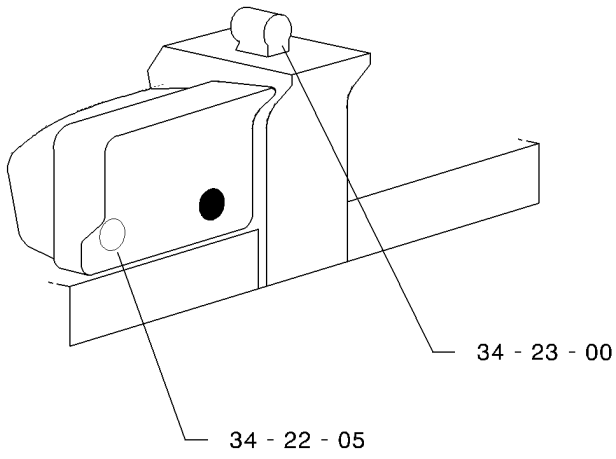
34-11-01

FIG. 1B

PAGE 1

NOV 30/18

S/N 765, 879 - 887, 889 - 947



I4341104AAAAVZ14300

AIRSPPEED INDICATOR
FIGURE 1C

34-11-01

FIG. 1C
PAGE 0 R

NOV 30/18

FIG. ITEM	PART NUMBER	NOMENCLATURE	EFFECT FROM TO	UNITS PER ASSY	OBS
		1234567 			
1C- 1	TF34-11-01-01C-001	AIRSPEED INDICATOR		RF	
10	6074687234	.TRUE AIRSPEED INDICATOR V16455 OPT TO PN8100CODE-B615 MADE BY V16455		1	
20	33-10-OPT-01	..LIGHT TRAY		1	R
30	33-10-OPT-02	.MALE PLUG		2	R
40	7141940034	.TIE-WRAP VF6728 OPT TO TY244 MADE BY VF6728		1	
50	7730062372	.ADAPTER V88044 OPT TO AN 840 - 4D MADE BY V88044		2	
60	5165691139	ATTACHING PARTS .SCREW OPT TO AN515C6-20 MADE BY V88044 RPLD BY 5120557234		4	
- 60A	5120557234	.SCREW RPLS 5165691139		4	
70	5385832137	.NUT V80205 OPT TO NAS487.20 MADE BY V80205 RPLD BY 5385832135		4	NP
- 70A	5385832135	* * * .NUT VF3341 OPT TO NSA5487-17 MADE BY VF3341 RPLS 5385832137		4	

- ITEM NOT ILLUSTRATED

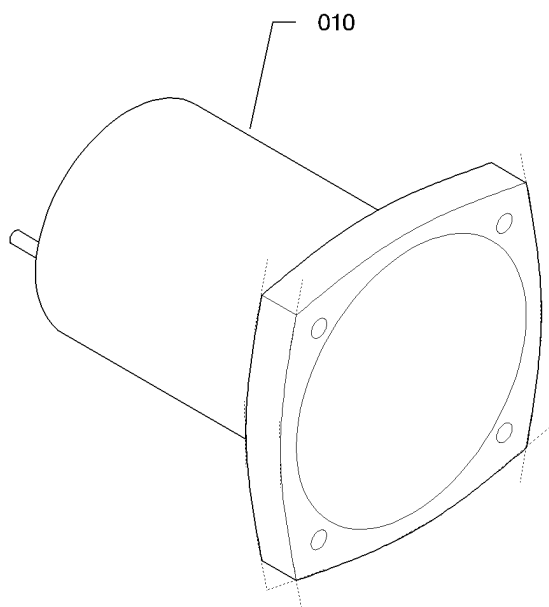
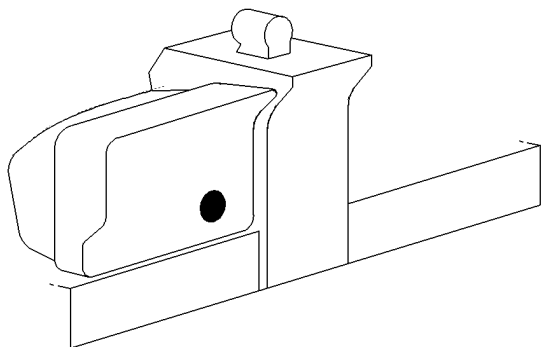
34-11-01

FIG. 1C

PAGE 1

NOV 30/18

S/N 823 - 849, 888, 948 - 9999



I4341104AAAANZ4400

VERTICAL SPEED INDICATOR
FIGURE 1

OPTION

34-11-02

FIG. 1
PAGE 0 R
NOV 30/18

FIG.ITEM	PART NUMBER	NOMENCLATURE	EFFECT FROM TO	UNITS PER ASSY	OBS
1 - 1 10	TF34-11-02-01-001 34-11-OPT-01	<div style="text-align: center;"> 1234567 </div> VERTICAL SPEED INDICATOR .VERTICAL SPEED INDICATOR		RF 1	R

- ITEM NOT ILLUSTRATED

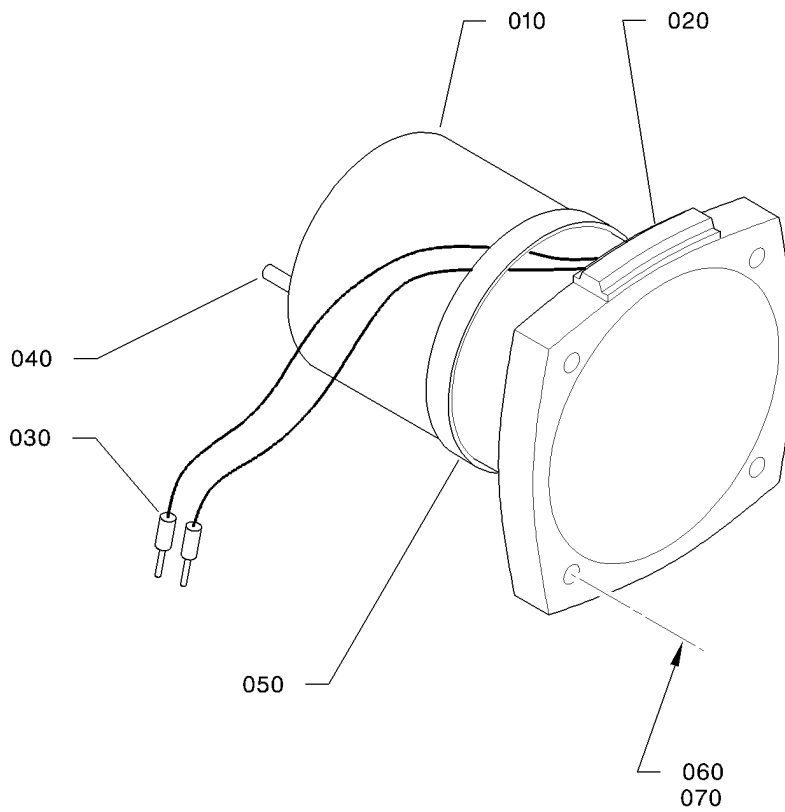
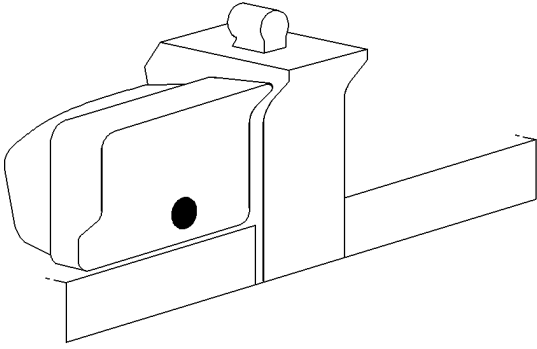
34-11-02

FIG. 1

PAGE 1

NOV 30/18

OPTION



I4341104AAAAVZ24300

VERTICAL SPEED INDICATOR
FIGURE 1A

34-11-02

FIG. 1A
PAGE 0 R

NOV 30/18

FIG. ITEM	PART NUMBER	1234567 	NOMENCLATURE	EFFECT FROM TO	UNITS PER ASSY	OBS
1A- 1	TF34-11-02-01A-001		VERTICAL SPEED INDICATOR		RF	
10	6074687233		.VERTICAL SPEED INDICATOR V16455 OPT TO PN7000CODE-C83 MADE BY V16455 VARIANT		1	
- 10A	6074687220		.VERTICAL SPEED INDICATOR V16455 OPT TO 7000 CODE C91 MADE BY V16455 VARIANT		1	
20	7719640028		.LIGHT TRAY V16455 OPT TO BA28-24BW3 MADE BY V16455 TO BE ORDERED WITH MALE PLUGS 7275940000 (QTY 2)		1	
30	7275940000		.MALE CONNECTOR V59730 OPT TO RZBM-N MADE BY V59730		2	
40	7730062372		.ADAPTER V88044 OPT TO AN 840 - 4D MADE BY V88044		1	
50	7141940034		.TIE-WRAP VF6728 OPT TO TY244 MADE BY VF6728 ATTACHING PARTS		1	
60	5165691139		.SCREW V88044 OPT TO AN515C6-20 MADE BY V88044 RPLD BY 5120557234		4	
- 60A	5120557234		.SCREW RPLS 5165691139		4	
70	5385832137		.NUT V80205 OPT TO NAS487.20 MADE BY V80205 RPLD BY 5385832135		4	NP
- 70A	5385832135		.NUT VF3341 OPT TO NSA5487-17 MADE BY VF3341 RPLS 5385832137 * * *		4	

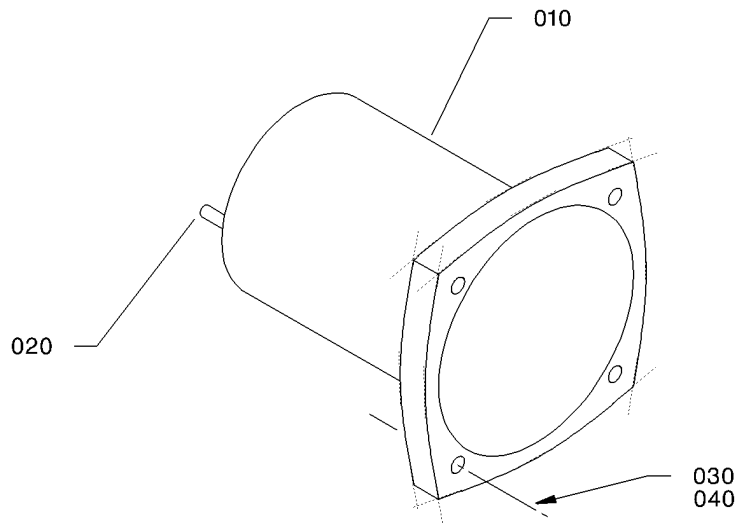
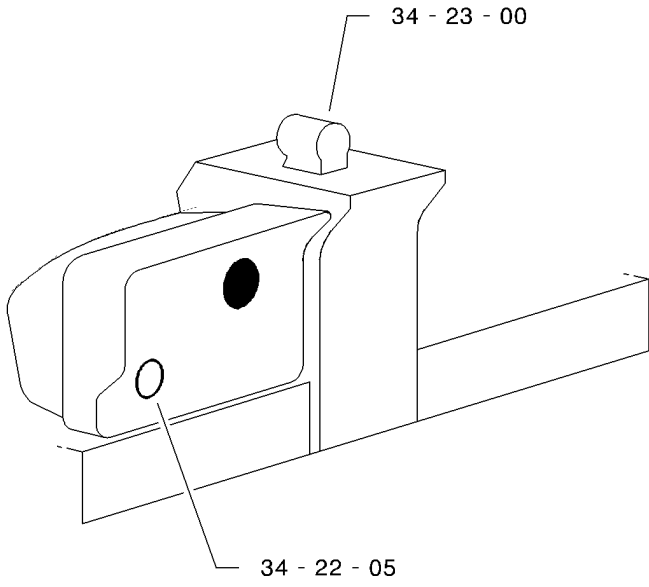
- ITEM NOT ILLUSTRATED

34-11-02

FIG. 1A

PAGE 1 R

NOV 30/18



14341000AAACVZ4401

ALTIMETER
FIGURE 1

34-11-03

FIG. 1
PAGE 0 R

NOV 30/18

FIG. ITEM	PART NUMBER	NOMENCLATURE	EFFECT FROM TO	UNITS PER ASSY	OBS
		1234567 			
1 - 1	TF34-11-03-01-001	ALTIMETER		RF	
10	6074687226	.ALTIMETER V16455 OPT TO 5934PM-1(12003M 37500-000) MADE BY V16455		1	
- 10A	6001257220	.ALTIMETER 1000 TO 20000 FEET U.S.		1	
20	7730062372	.ADAPTER V88044 OPT TO AN 840 - 4D MADE BY V88044		1	
30	5111929052	ATTACHING PARTS .SCREW RPLD BY 5165691135		3	NP
- 30A	5165691135	.SCREW OPT TO AN515C6-16 MADE BY V88044 RPLS 5111929052		3	
40	5385833094	.NUT VF0580 OPT TO A8939-350 MADE BY VF0580 WITH EDO AIRE OR UNITED INSTRUMENTS ALTIMETER RPLD BY 5385832132		3	NP
- 40A	5385832132	.NUT V80205 OPT TO NAS487-20 MADE BY V80205 WITH EDO AIRE OR UNITED INSTRUMENTS ALTIMETER RPLS 5385833094		3	NP
- 40B	5385833097	.NUT VF0580 OPT TO A8941-350 MADE BY VF0580 WITH BADIN ALTIMETER RPLD BY 5385832135		3	NP
- 40C	5385832135	.NUT V80205 OPT TO NSA5487-17 MADE BY VF3341 WITH BADIN ALTIMETER RPLS 5385833097		3	
		* * *			

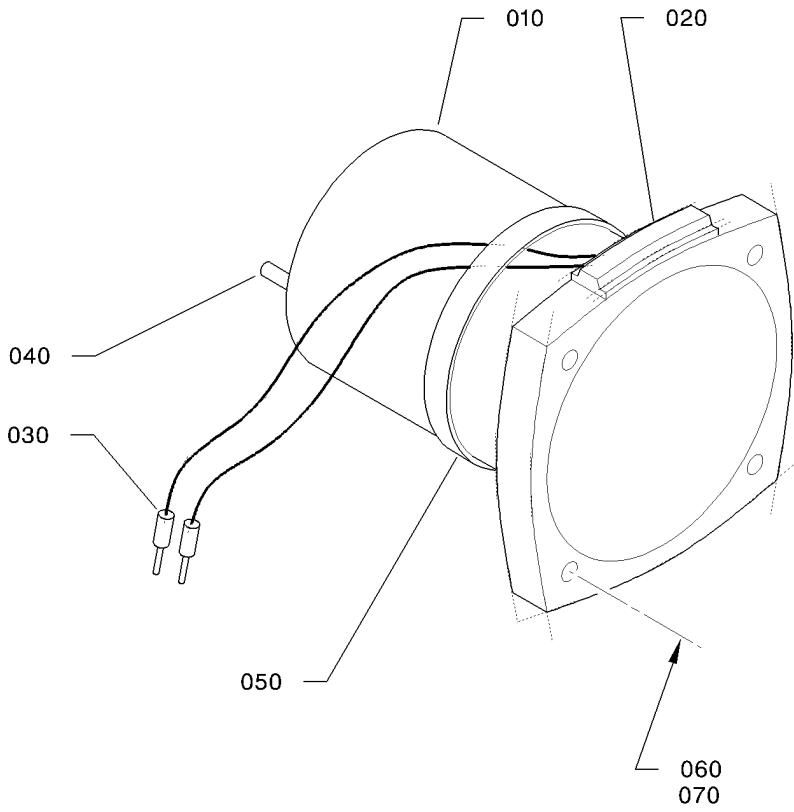
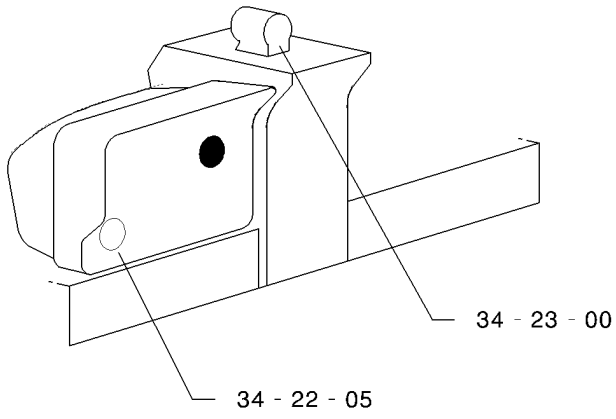
- ITEM NOT ILLUSTRATED

34-11-03

FIG. 1

PAGE 1 R

NOV 30/18



I4341104AAAVZ14500

ALTIMETER
FIGURE 1A

34-11-03

FIG. 1A

PAGE 0 R

NOV 30/18

FIG.ITEM	PART NUMBER	NOMENCLATURE		EFFECT FROM TO	UNITS PER ASSY	OBS
		1234567 				
1A- 1	TF34-11-03-01A-001		ALTIMETER		RF	
10	6074687237		.ALTIMETER V16455 OPT TO PN5934PD1CODE-A187 MADE BY V16455 RPLD BY 6084007248		1	OR
- 10A	6084007248		.ALTIMETER V16455 OPT TO 5934 PD3A187 MADE BY V16455 RPLS 6074687237		1	
20	7719640014		..LIGHT TRAY V16455 OPT TO BA14-24BW3 MADE BY V16455 S/N 731 - 764, 766 - 822, 850 - 878 TO BE ORDERED WITH MALE PLUGS 7275940000 (QTY 2)		1	
30	7275940000		.MALE CONNECTOR V59730 OPT TO RZBM-N MADE BY V59730 S/N 731 - 764, 766 - 822, 850 - 878		2	
40	7730062372		.ADAPTER V88044 OPT TO AN 840 - 4D MADE BY V88044		1	
50	7141940034		.TIE-WRAP VF6728 OPT TO TY244 MADE BY VF6728 S/N 731 - 764, 766 - 822, 850 - 878		1	
60	5111929055		ATTACHING PARTS .SCREW RPLD BY 5165691139		4	NP
- 60A	5165691139		.SCREW OPT TO AN515C6-20 MADE BY V88044 RPLS 5111929055		4	
70	5385833099		.NUT VF0580 OPT TO A8943-350 MADE BY VF0580 RPLD BY 5385832137		4	NP
- 70A	5385832137		.NUT V80205 OPT TO NAS487.20 MADE BY V80205 RPLS 5385833099 * * *		4	NP

- ITEM NOT ILLUSTRATED

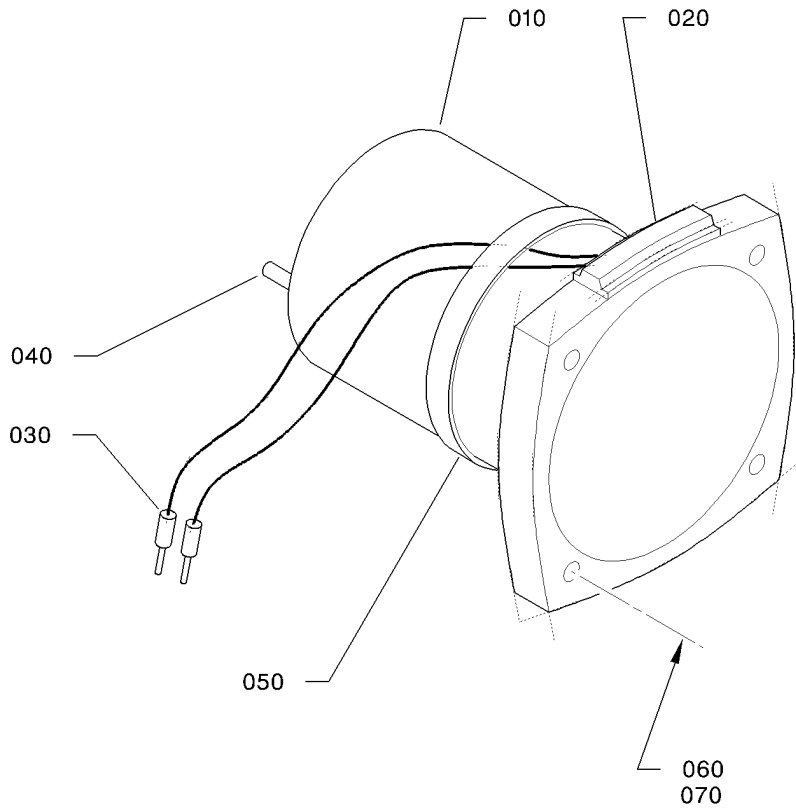
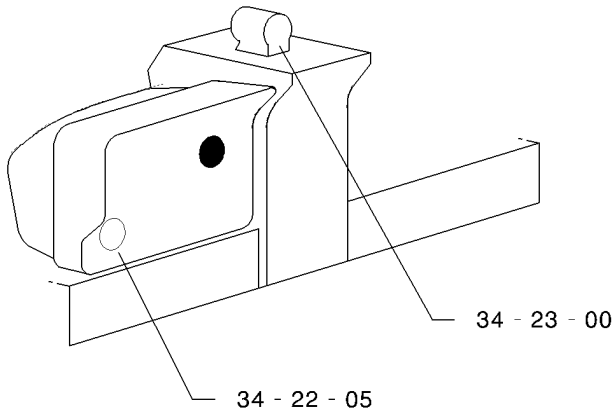
34-11-03

FIG. 1A

PAGE 1 R

NOV 30/18

S/N 731 - 822, 850 - 887, 889 - 947



I4341104AAAVZ14500

ALTIMETER
FIGURE 1B

34-11-03

FIG. 1B

PAGE 0 R

NOV 30/18

FIG. ITEM	PART NUMBER	NOMENCLATURE		EFFECT FROM TO	UNITS PER ASSY	OBS
		1234567 				
1B- 1	TF34-11-03-01B-001		ALTIMETER		RF	
10	6074687230		.ALTIMETER V16455 OPT TO 5934PD3A253 MADE BY V16455		1	
20	33-10-OPT-01		..LIGHT TRAY		1	R
30	33-10-OPT-02		.MALE PLUG		2	R
40	7730062372		.ADAPTER V88044 OPT TO AN 840 - 4D MADE BY V88044		1	
50	33-10-OPT-03		.CLAMP ATTACHING PARTS		1	R
60	5165691139		.SCREW OPT TO AN515C6-20 MADE BY V88044 RPLD BY 5120557234		4	
- 60A	5120557234		.SCREW RPLS 5165691139		4	
70	5385832137		.NUT V80205 OPT TO NAS487.20 MADE BY V80205 RPLD BY 5385832134		4	NP
- 70A	5385832134		.NUT V80205 OPT TO NAS487.16 MADE BY V80205 RPLS 5385832137 * * *		4	

- ITEM NOT ILLUSTRATED

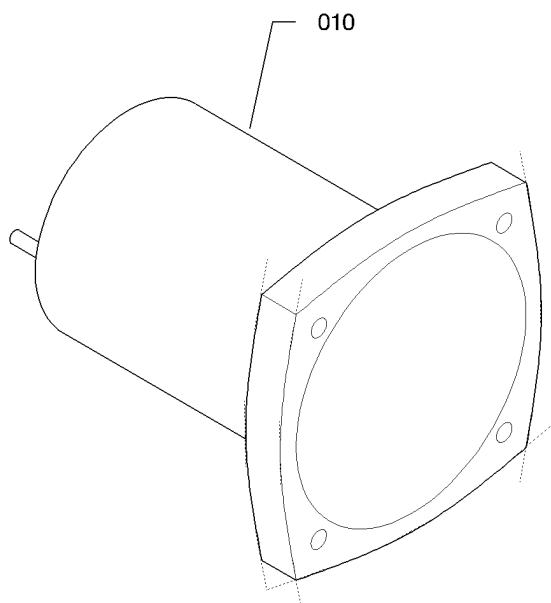
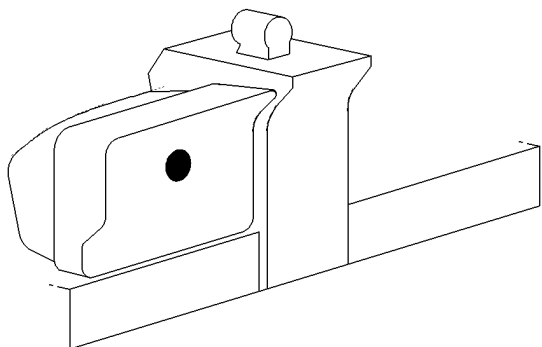
34-11-03

FIG. 1B

PAGE 1

NOV 30/18

S/N 823 - 849, 888, 948 - 9999



I4341104AAAAVZ4300

ALTI-CODER
FIGURE 1

OPTION

34-11-04

FIG. 1

PAGE 0 R

NOV 30/18

FIG.ITEM	PART NUMBER	NOMENCLATURE	EFFECT FROM TO	UNITS PER ASSY	OBS
1 - 1 10	TB34-11-04-01-001 34-11-OPT-04	<div style="display: flex; align-items: center;"> <div style="margin-right: 10px;"> 1234567 </div> <div> ALTI-CODER .ALTI-CODER </div> </div>		RF 1	R

- ITEM NOT ILLUSTRATED

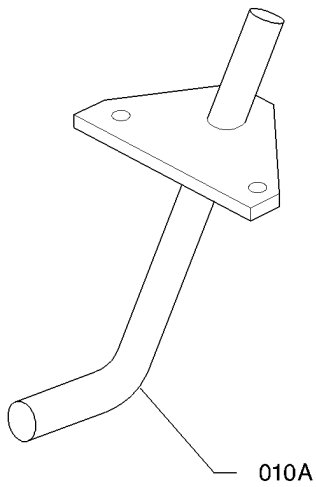
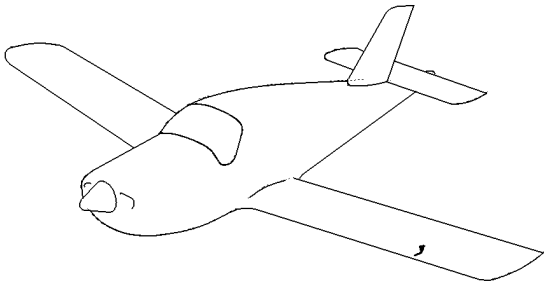
34-11-04

FIG. 1

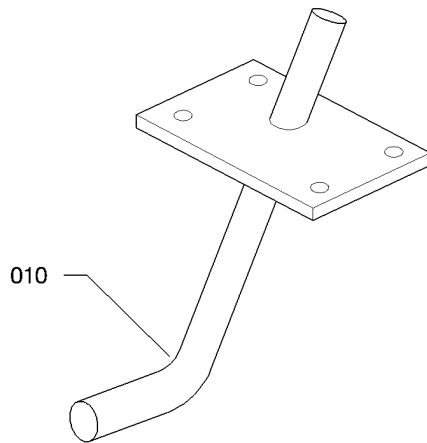
PAGE 1

NOV 30/18

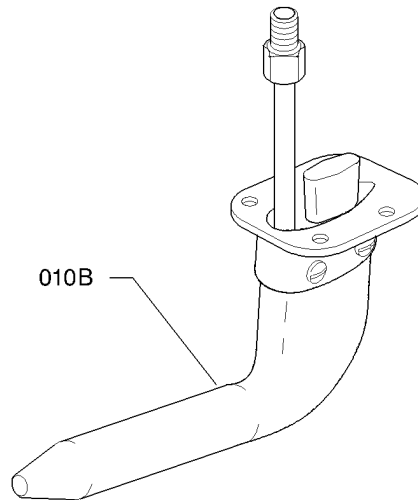
OPTION



010A



010



010B

I4341000AAAGYZ4400

PITOT TUBE
FIGURE 1

34-11-06

FIG. 1

PAGE 0 R

NOV 30/18

FIG.ITEM	PART NUMBER	NOMENCLATURE	EFFECT FROM TO	UNITS PER ASSY	OBS
		1234567 			
1 - 1	TB34-11-06-01-001	PITOT TUBE		RF	
10	TB10 77000003	.PITOT TUBE ASSEMBLY S/N 1 - 400 WITHOUT HEATED PITOT TUBE ASSEMBLY		1	R
10A	TB10 77000002	.PITOT TUBE ASSEMBLY S/N 401 - 9999 WITHOUT HEATED PITOT TUBE ASSEMBLY		1	R
10B	34-11-OPT-05	.PITOT STATIC SYSTEM DEICING S/N 1 - 9999 WITH HEATED PITOT TUBE ASSEMBLY		1	R

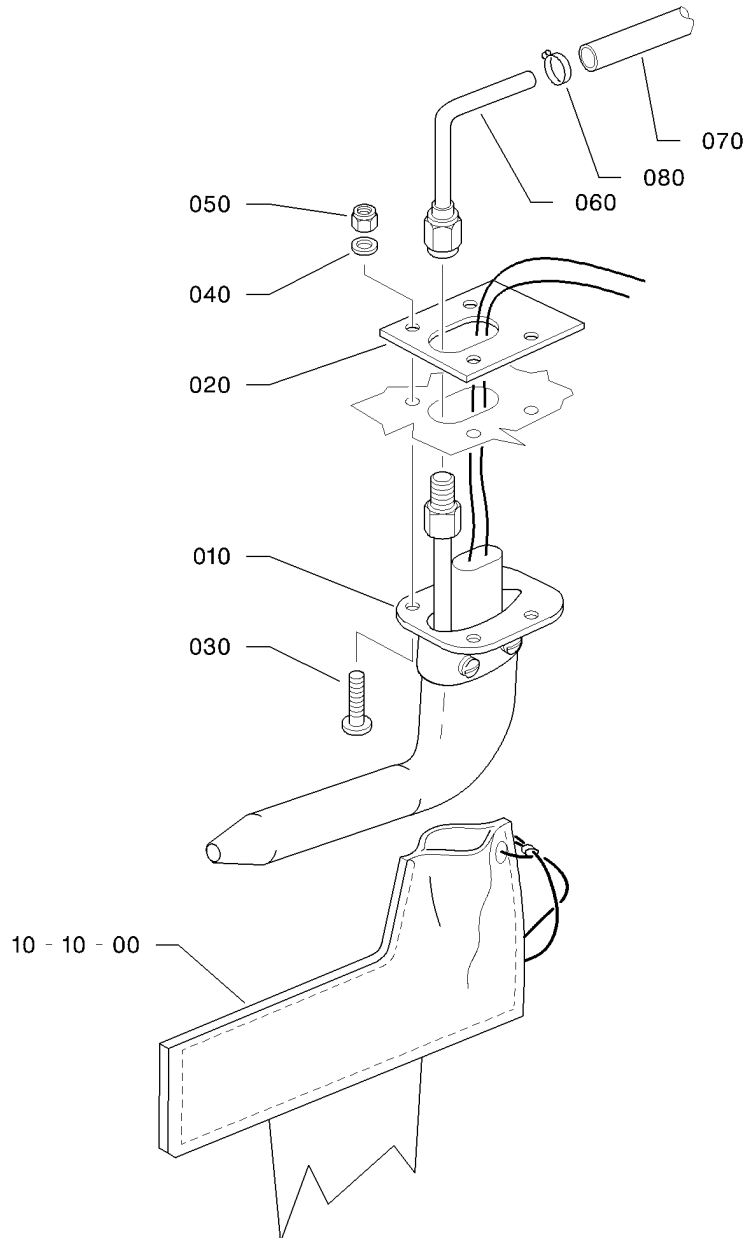
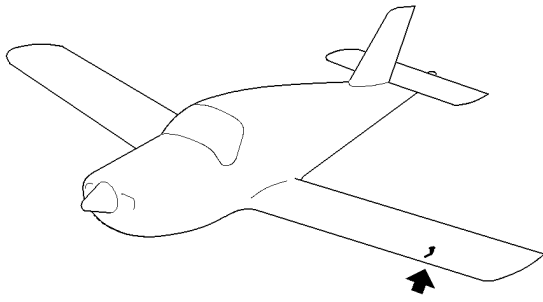
- ITEM NOT ILLUSTRATED

34-11-06

FIG. 1

PAGE 1

NOV 30/18



I4300000AAAJVZ4500

PITOT TUBE
FIGURE 1A

34-11-06

FIG. 1A

PAGE 0 R

NOV 30/18

FIG. ITEM	PART NUMBER	NOMENCLATURE	EFFECT FROM TO	UNITS PER ASSY	OBS
		1234567 			
1A- 1	TB34-11-06-01A-001	PITOT TUBE		RF	
10	TB20 7781000101	.PITOT ASSY		1	
20	TB10 77910115	.REINFORCEMENT PLATE ATTACHING PARTS		1	
30	5111943075	.SCREW		4	R
40	5706039160	.WASHER OPT TO NFL23116AD040L MADE BY VF0111		4	R
50	5401458159	.NUT OPT TO E25412B40QQVAL MADE BY VF0110 SUPSD BY 5414468159		4	R
- 50A	5414468159	.NUT OPT TO 4PH135M MADE BY VF0224 SUPSDS 5401458159 * * *		4	R
60	TB10 77910900	.BELLMOUTHED TUBE ASSY		1	
70	4386494710	.HOSE		AR	
80	7141323025	.CLAMP OPT TO SX5 07-11 MADE BY VF2560 RPLD BY 7141015013		1	R
- 80A	7141015013	.CLAMP RPLS 7141323025		1	

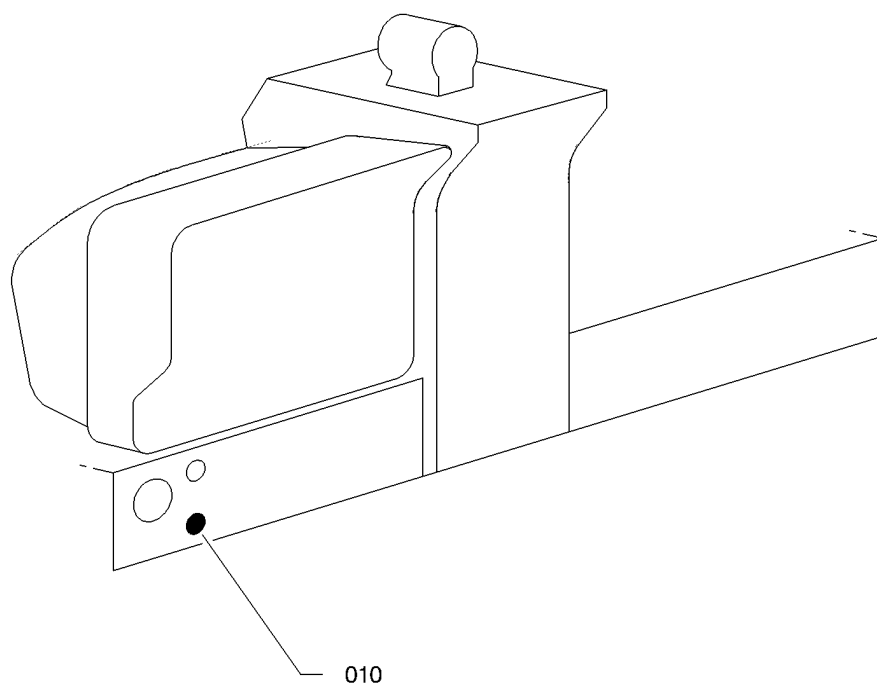
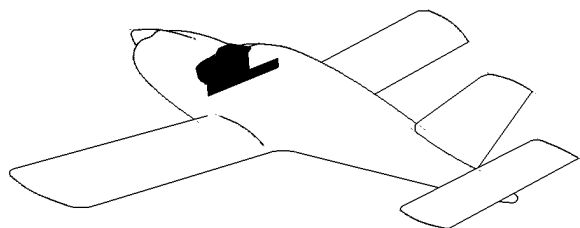
- ITEM NOT ILLUSTRATED

34-11-06

FIG. 1A

PAGE 1

NOV 30/18



I4341000AAA.FWZ4301

EMERGENCY STATIC VALVE
FIGURE 1

FIG.ITEM	PART NUMBER	NOMENCLATURE	EFFECT FROM TO	UNITS PER ASSY	OBS
1 - 1 10	TB34-11-07-01-001 34-11-OPT-06	<div style="text-align: center;"> 1234567 </div> EMERGENCY STATIC VALVE .EMERGENCY STATIC VALVE		RF 1	R

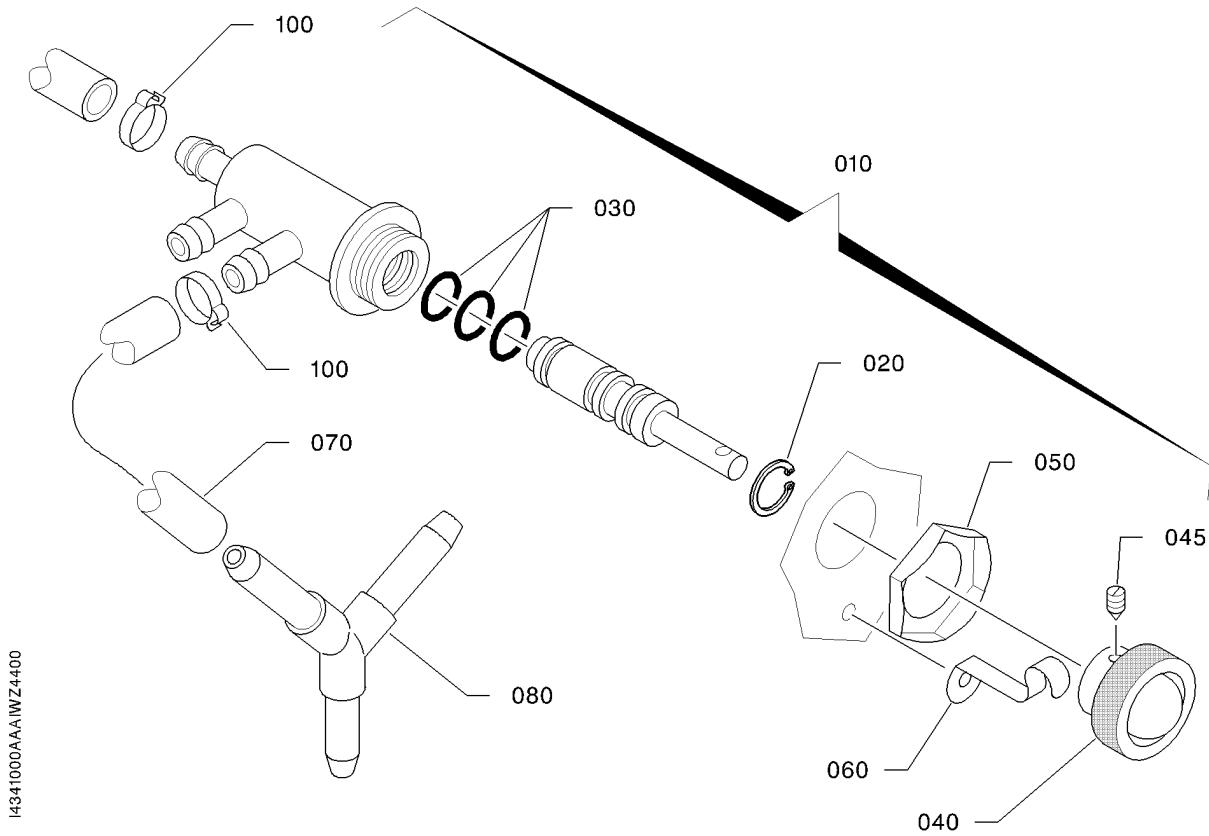
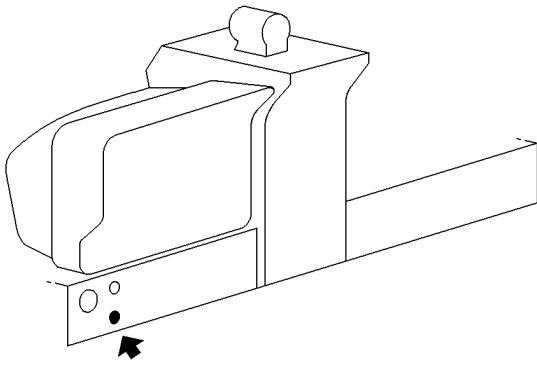
- ITEM NOT ILLUSTRATED

34-11-07

FIG. 1

PAGE 1

NOV 30/18



14341000AAA IWZ4400

EMERGENCY STATIC VALVE
FIGURE 1A

34-11-07

FIG. 1A
PAGE 0 R
NOV 30/18

FIG.ITEM	PART NUMBER	1234567 	NOMENCLATURE	EFFECT FROM TO	UNITS PER ASSY	OBS
1A- 1	TB34-11-07-01A-001		EMERGENCY STATIC VALVE		RF	
10	TB30 77010000		.EMERGENCY STATIC VALVE		1	
20	7762232814		..RETAINING RING VF0111 OPT TO NF L23202AM0140T MADE BY VF0111		1	
30	7423540021		..O-RING		3	
40	TB30 7701910000		..KNOB		1	
45	5180336139		..SCREW		1	
50	5387277201		.NUT		1	
60	TB10 77906100		.CLIP		1	
70	4381430576		.HOSE		AR	R
80	7234438007		.Y-FITTING OPT TO Y56 MADE BY VF1567		1	R
100	7141235193		.CLAMP OPT TO 30-2-000-090 MADE BY VF0335		2	R

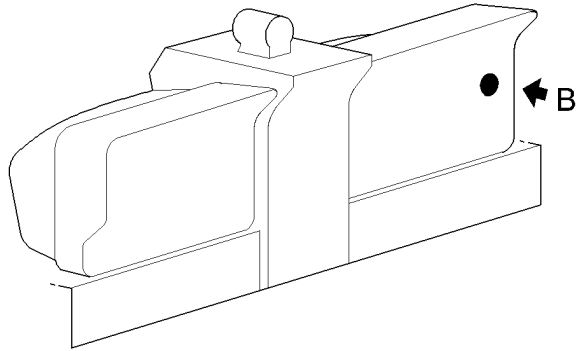
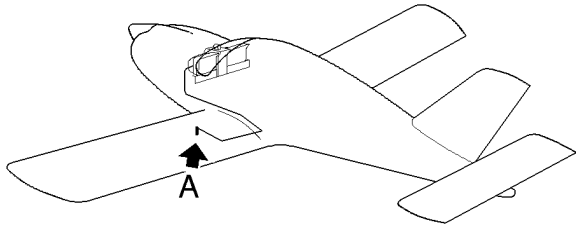
- ITEM NOT ILLUSTRATED

34-11-07

FIG. 1A

PAGE 1

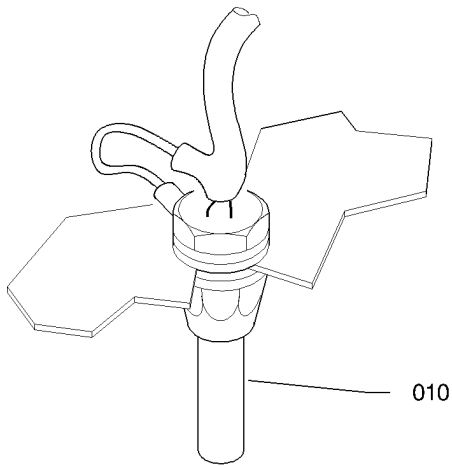
NOV 30/18



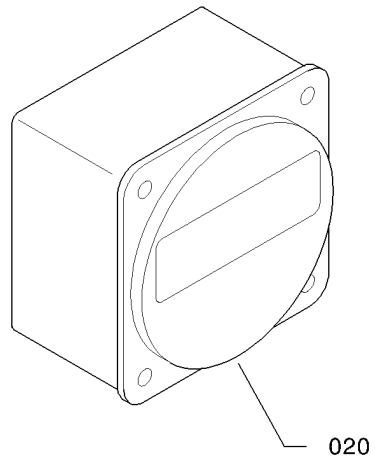
(A)

(B)

14341800AAA F/Z14301



010



020

OUTSIDE AIR TEMPERATURE
FIGURE 1

34-13-00

FIG. 1

PAGE 0 R

NOV 30/18

FIG.ITEM	PART NUMBER	NOMENCLATURE	EFFECT FROM TO	UNITS PER ASSY	OBS
1 - 1 10 20	TB34-13-00-01-001 TB20 7623100000 TB20 7623100100	1234567 OUTSIDE AIR TEMPERATURE .OAT PROBE ASSY .INDICATOR ASSY		RF 1 1	

- ITEM NOT ILLUSTRATED

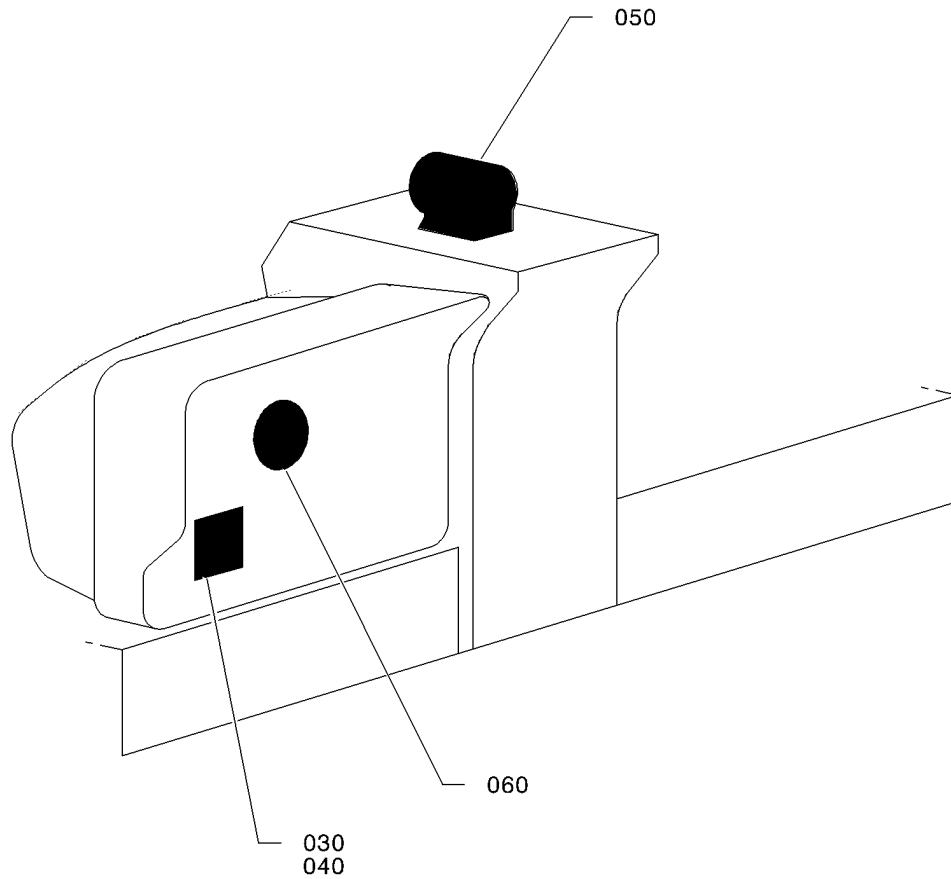
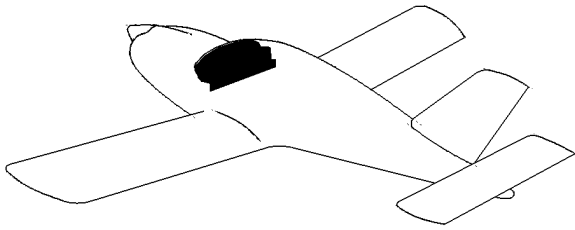
34-13-00

FIG. 1

PAGE 1 R

NOV 30/18

S/N 1 - 9999 POST-MOD. 151



I4311000AAADYZ4401

ATTITUDE AND DIRECTION
FIGURE 1

FIG.ITEM	PART NUMBER	NOMENCLATURE		EFFECT FROM TO	UNITS PER ASSY	OBS
		1234567 				
1 - 1	TF34-20-00-01-001		ATTITUDE AND DIRECTION		RF	
- 10	34-21-OPT-02		.HEADING REFERENCE SYSTEM		1	R
- 20	TB34-22-00-01		.TURN AND BANK INDICATOR		1	
30	34-22-OPT		..TURN INDICATOR		1	
40	TB34-22-05-01		..LATERAL LEVEL		1	
50	TB34-23-00-01		.MAGNETIC COMPASS		1	
60	34-24-OPT-02		.ADI AND STAND-BY HORIZON		1	R
- 70	34-25-OPT		.RADIO MAGNETIC INDICATOR		1	

- ITEM NOT ILLUSTRATED

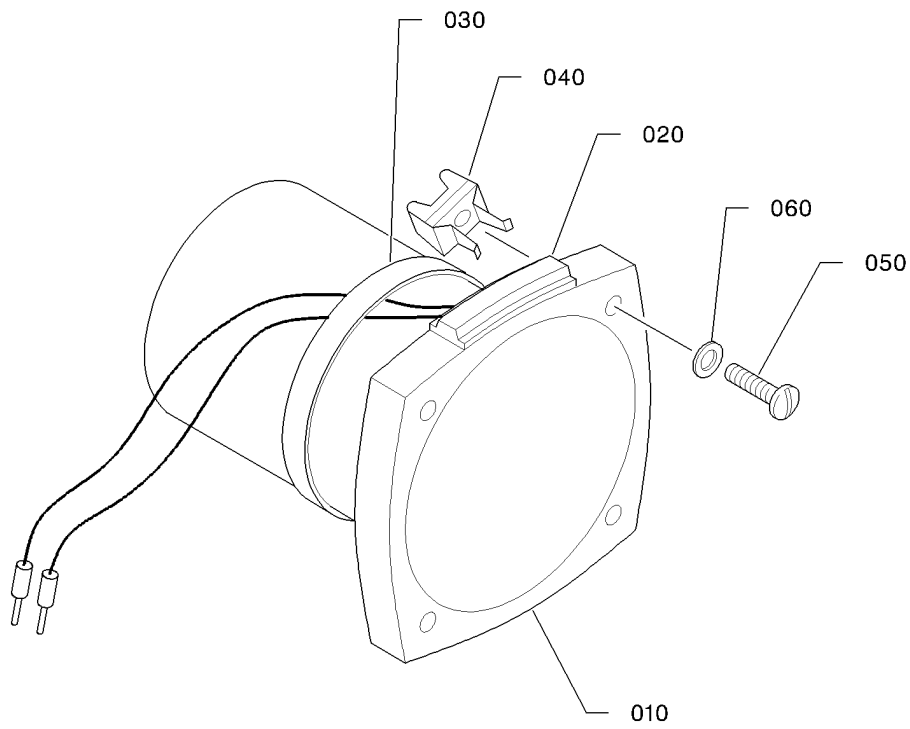
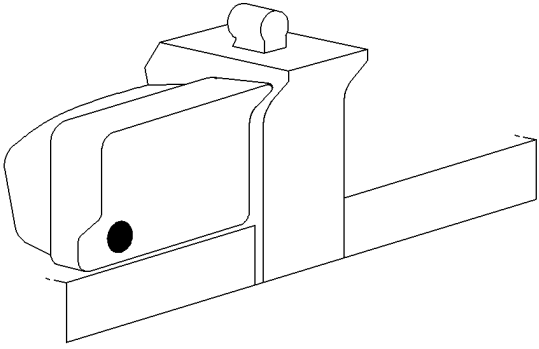
34-20-00

FIG. 1

PAGE 1

NOV 30/18

S/N 1 - 9999



14342200AAEVZ4500

TURN COORDINATOR
FIGURE 1

34-22-01

FIG. 1
PAGE 0 R

NOV 30/18

FIG.ITEM	PART NUMBER	1234567 	NOMENCLATURE	EFFECT FROM TO	UNITS PER ASSY	OBS
1 - 1	TB34-22-01-01-001		TURN COORDINATOR		RF	
10	6074687231		.TURN COORDINATOR		1	
20	7719640028		.LIGHT TRAY V16455 OPT TO BA28-24BW3 MADE BY V16455		1	
30	7141940034		.TIE-WRAP VF6728 OPT TO TY244 MADE BY VF6728 ATTACHING PARTS		1	
40	5585832135		.NUT		4	
50	5120557234		.SCREW		4	
60	5734041120		.WASHER OPT TO NSA53114-32ADL MADE BY VF6198 * * *		4	R

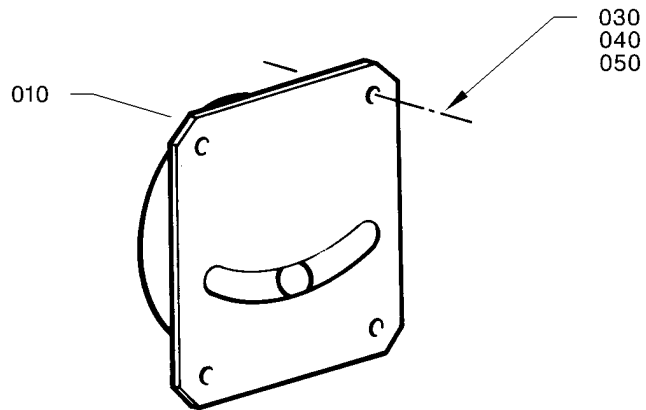
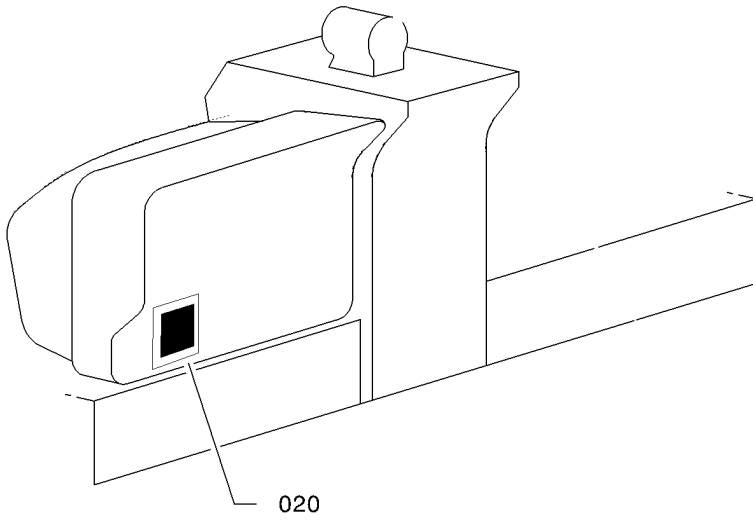
- ITEM NOT ILLUSTRATED

34-22-01

FIG. 1

PAGE 1

NOV 30/18



I4342002AAAAYZ4302

LATERAL LEVEL
FIGURE 1

34-22-05

FIG. 1
PAGE 0 R

NOV 30/18

FIG.ITEM	PART NUMBER	1234567 	NOMENCLATURE	EFFECT FROM TO	UNITS PER ASSY	OBS
1 - 1	TB34-22-05-01-001		LATERAL LEVEL		RF	
10	6000587222		.TURN COORDINATOR VARIANT		1	
- 10A	6077157220		.TURN COORDINATOR VARIANT		1	
20	TB10 76018000		.ADAPTER ATTACHING PARTS		1	
30	5111943075		.SCREW		4	R
40	5701039160		.WASHER OPT TO NFL23111AD040L MADE BY VF0111		4	R
50	5401458159		.NUT OPT TO E25412B40QQVAL MADE BY VF0110 SUPSD BY 5414468159		4	R
- 50A	5414468159		.NUT OPT TO 4PH135M MADE BY VF0224 SUPSDS 5401458159 * * *		4	R

- ITEM NOT ILLUSTRATED

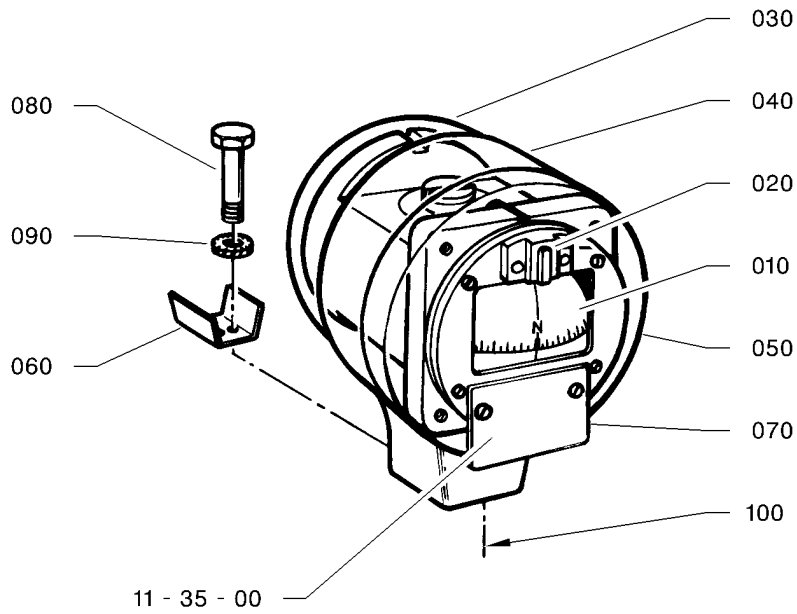
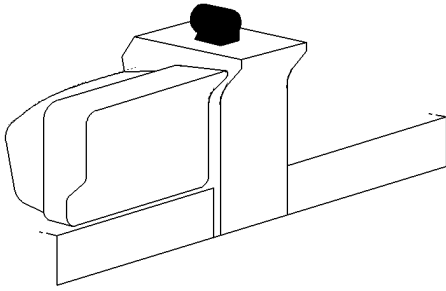
34-22-05

FIG. 1

PAGE 1

NOV 30/18

S/N 1 - 9999



14342001AAA CVZ4302

MAGNETIC COMPASS
FIGURE 1

34-23-00

FIG. 1
PAGE 0 R

NOV 30/18

FIG. ITEM	PART NUMBER	NOMENCLATURE	EFFECT FROM TO	UNITS PER ASSY	OBS
		1234567 			
1 - 1	TF34-23-00-01-001	MAGNETIC COMPASS		RF	
10	6002377221	.ENLIGHTENED COMPASS V70214 OPT TO 2300L41 ECLAIRE MADE BY V70214		1	
20	7445330004	..LIGHT LAMP		1	
30	TB10 74065110	.COMPASS COVER RPLD BY TB10 74065117		1	OR
- 30A	TB10 74065117	.COMPASS COVER RPLS TB10 74065110		1	
40	TB10 74065111	.COMPASS SUPPORT RPLD BY TB10 74065118		1	OR
- 40A	TB10 74065118	.COMPASS SUPPORT RPLS TB10 74065111		1	
50	TB10 74065112	.TRIM		1	
60	TB10 74065113	.REINFORCEMENT PLATE		1	
70	TB10 74065114	.SUPPORT PLATE ATTACHING PARTS		1	
80	5102967086	.BOLT VF0110 OPT TO E27311H40Q16CCU MADE BY VF0110		2	
90	5719061160	.WASHER OPT TO NFE27618E40AJTL MADE BY VF0111		2	R
100	5385835514	.NUT * * *		2	R

- ITEM NOT ILLUSTRATED

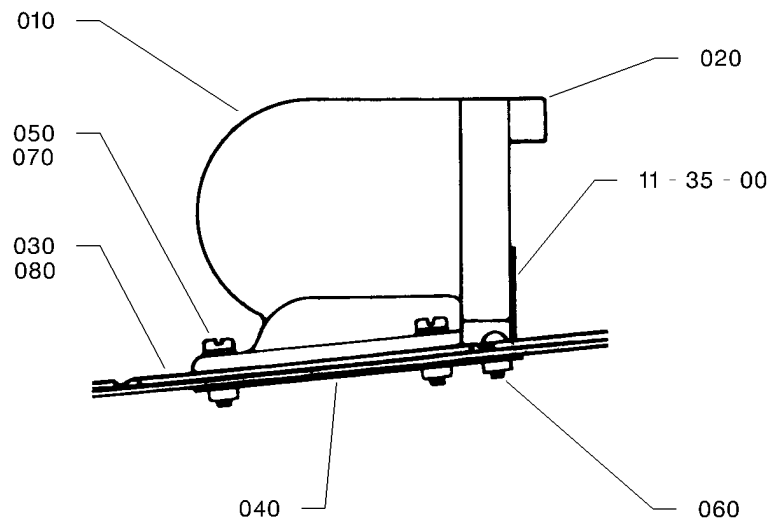
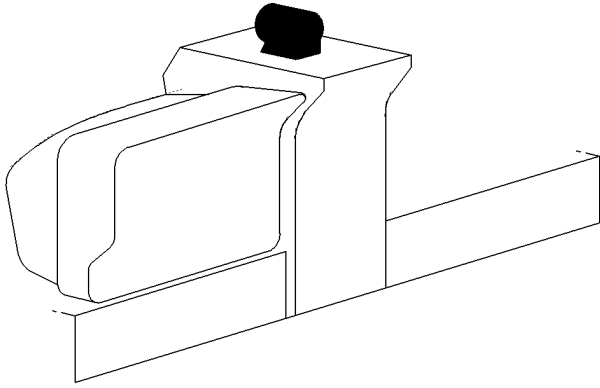
34-23-00

FIG. 1

PAGE 1

NOV 30/18

S/N 1 - 100



14342001AAABYZ4303

MAGNETIC COMPASS
FIGURE 1A

34-23-00

FIG. 1A
PAGE 0 R

NOV 30/18

FIG.ITEM	PART NUMBER	NOMENCLATURE		EFFECT FROM TO	UNITS PER ASSY	OBS
		1234567 				
1A- 1	TB34-23-00-01A-001		MAGNETIC COMPASS		RF	
10	TB10 76025911		.COMPASS ASSY		1	
20	7445330004		..LIGHT LAMP		1	
30	TB10 76025110		.SUPPORT		1	
40	TB10 76029102		.MOUNTING PLATE ATTACHING PARTS		1	
50	5111929093		.SCREW		3	
60	5169911072		.SCREW		1	
70	5718061160		.LOCKWASHER VF0110 OPT TO E27618G40AJTL MADE BY VF0110 * * *		3	
80	TB10 76025211		.COVERING S/N 101 - 587 BLUE		1	
- 80A	TB10 76025311		.COMPASS SUP.FIT.BR S/N 101 - 587 BROWN		1	
- 80B	TB10 76025511		.COMPASS SUP.FIT.BR S/N 588 - 822, 850 - 887, 889 - 947, "CENDRE"		1	R

- ITEM NOT ILLUSTRATED

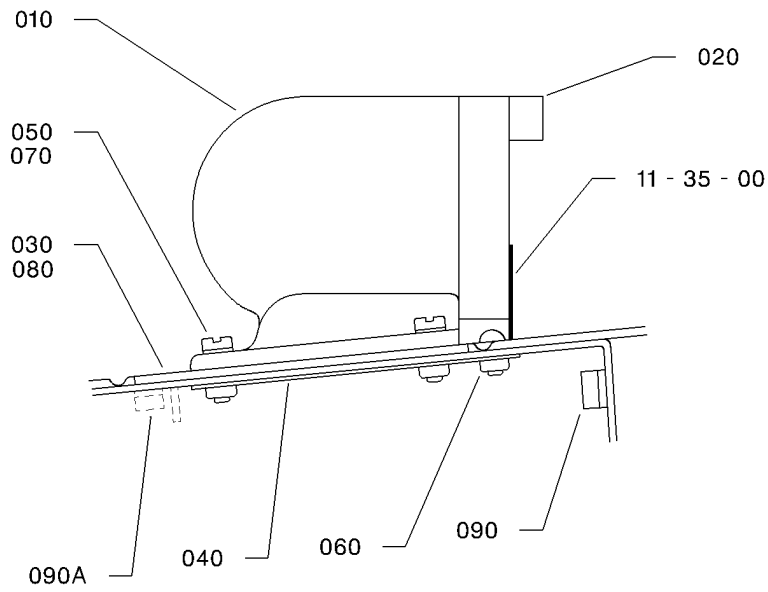
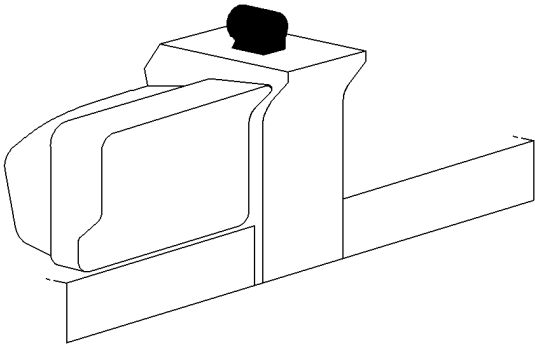
34-23-00

FIG. 1A

PAGE 1

NOV 30/18

S/N 101 - 822, 850 - 887, 889 - 947



I4342001AAABYZ4502

MAGNETIC COMPASS
FIGURE 1B

34-23-00

FIG. 1B

PAGE 0 R

NOV 30/18

FIG.ITEM	PART NUMBER	NOMENCLATURE		EFFECT FROM TO	UNITS PER ASSY	OBS
		1234567 				
1B- 1	TB34-23-00-01B-001		MAGNETIC COMPASS		RF	
10	TB20 76229001		.COMPASS ASSY		1	
20	7445390200		..LAMP VF6708 OPT TO 0L365 MADE BY VF6708		1	
30	TB10 76025110		.SUPPORT PRE-MOD. 151		1	
40	TB10 76029102		.MOUNTING PLATE ATTACHING PARTS		1	
50	5111929093		.SCREW		3	
60	5169911072		.SCREW		1	
70	5718061160		.LOCKWASHER VF0110 OPT TO E27618G40AJTL MADE BY VF0110 * * *		3	
80	TB10 76025511		.COMPASS SUP.FIT.BR PRE-MOD. 151		1	
90	TB20 7622800000		.EMERGENCY COMPASS COMPENSATION ASSY S/N 1843, 1884, 1924, WITH ENGINE CONTROL PANEL EQUIPPED WITH BERTRAM GALVANOMETERS		1	
90A	TB20 7622800000		.EMERGENCY COMPASS COMPENSATION ASSY S/N 1843, 1884, 1924, WITH ENGINE CONTROL PANEL EQUIPPED WITH BERTRAM GALVANOMETERS AND WITH RAISED CENTRAL CONSOLE		1	

- ITEM NOT ILLUSTRATED

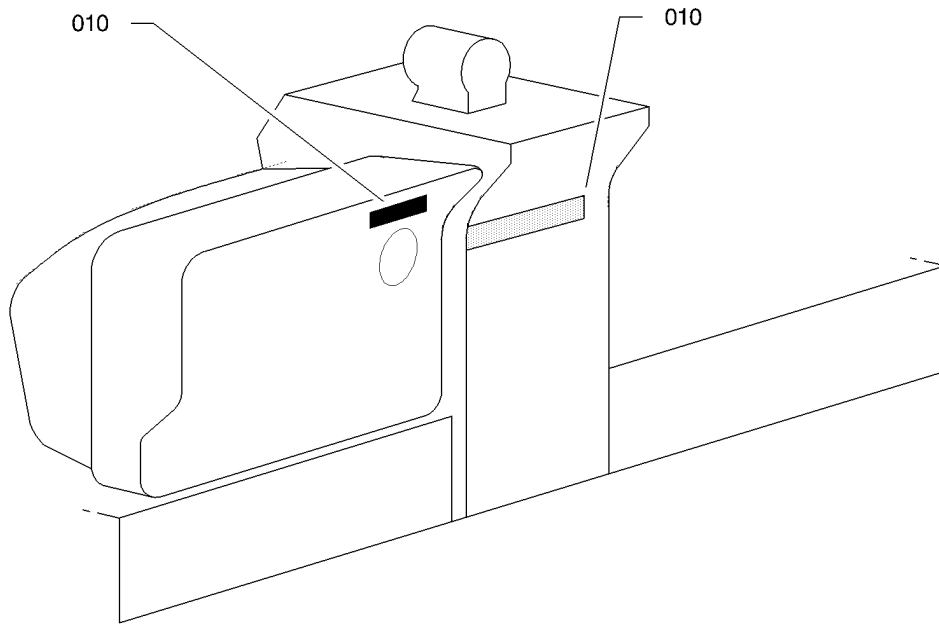
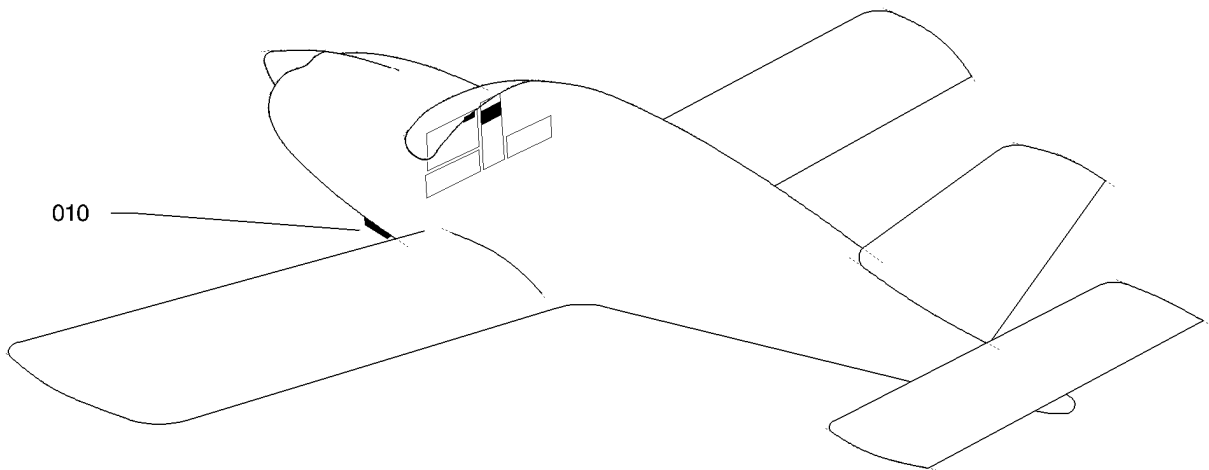
34-23-00

FIG. 1B

PAGE 1 R

NOV 30/18

S/N 823 - 849, 888, 948 - 9999



14343000AAA AWZ4301

LANDING AND TAXIING AIDS
FIGURE 1

FIG.ITEM	PART NUMBER	NOMENCLATURE	EFFECT FROM TO	UNITS PER ASSY	OBS
1 - 1 10	TB34-30-00-01-001 34-31-OPT	<div style="text-align: center;"> 1234567 </div> LANDING AND TAXIING AIDS .MARKER		RF 1	

- ITEM NOT ILLUSTRATED

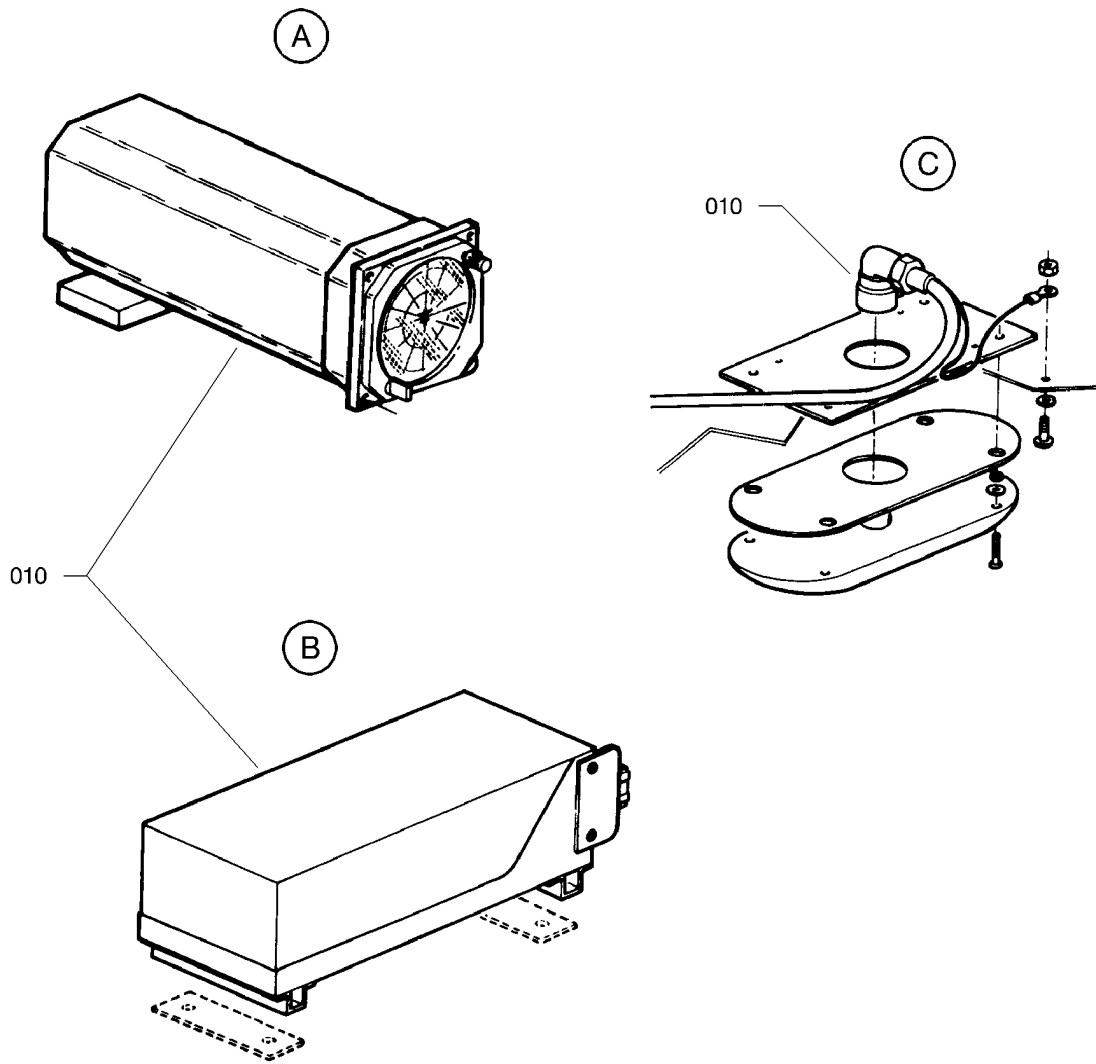
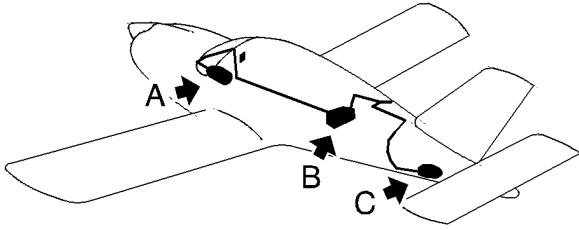
34-30-00

FIG. 1

PAGE 1 R

NOV 30/18

OPTION



I4344000AAA WZ4300

INDEPENDENT POSITION DETERMINING
FIGURE 1

FIG.ITEM	PART NUMBER	NOMENCLATURE	EFFECT FROM TO	UNITS PER ASSY	OBS
1 - 1 10	TB34-40-00-01-001 34-41-OPT	<div style="text-align: center;"> 1234567 </div> INDEPENDENT POSITION DETERMINING .STORMSCOPE		RF 1	

- ITEM NOT ILLUSTRATED

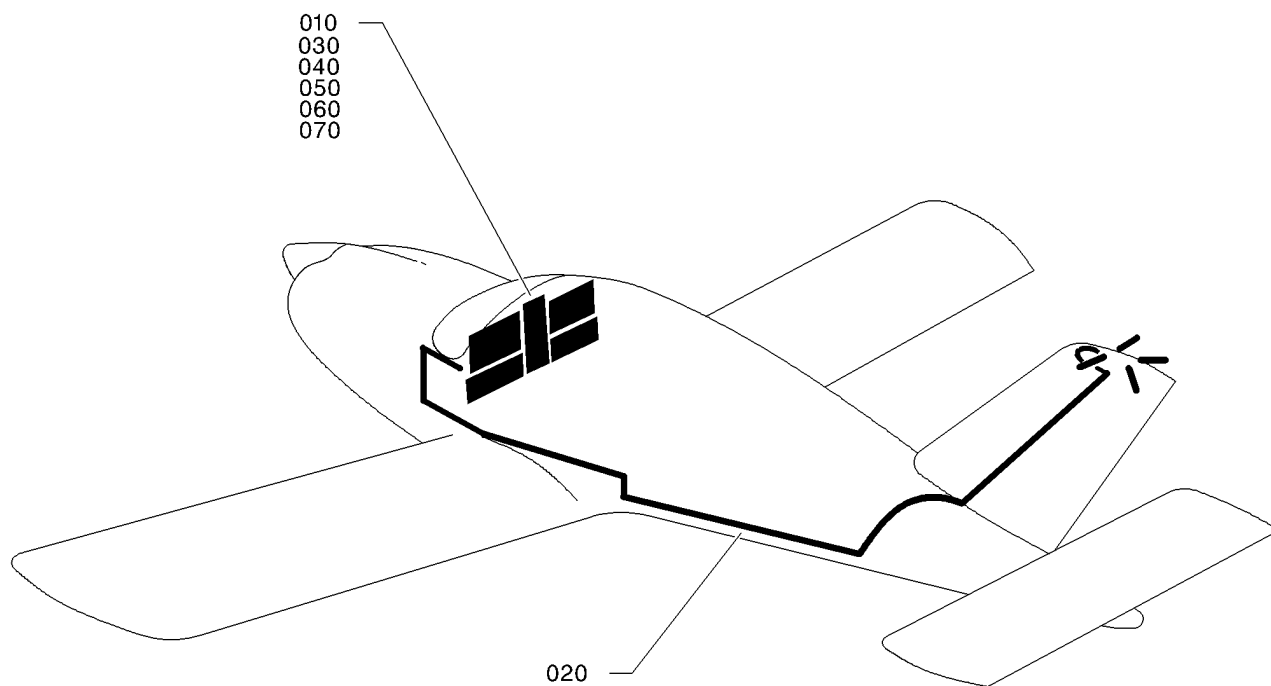
OPTION

34-40-00

FIG. 1

PAGE 1 R

NOV 30/18



I434000AAAAYZ14302

DEPENDENT POSITION DETERMINING
FIGURE 1

34-50-00

FIG. 1
PAGE 0 R

NOV 30/18

FIG.ITEM	PART NUMBER	NOMENCLATURE		EFFECT FROM TO	UNITS PER ASSY	OBS
		1234567 				
1 - 1	TB34-50-00-01-001		DEPENDENT POSITION DETERMINING		RF	
10	34-51-OPT		.NAV 1 INSTALLATION		1	R
20	34-51-04		.NAV 1 INSTALLATION		1	
30	34-52-OPT		.NAV 2 INSTALLATION		1	
40	34-53-OPT		.TRANSPONDER		1	
50	34-54-OPT		.ADF AUTOMATIC RADIO COMPASS		1	
60	34-55-OPT		.DME INSTALLATION		1	
70	34-57-OPT-01		.GLOBAL POSITIONING SYSTEM (GPS)		1	R

- ITEM NOT ILLUSTRATED

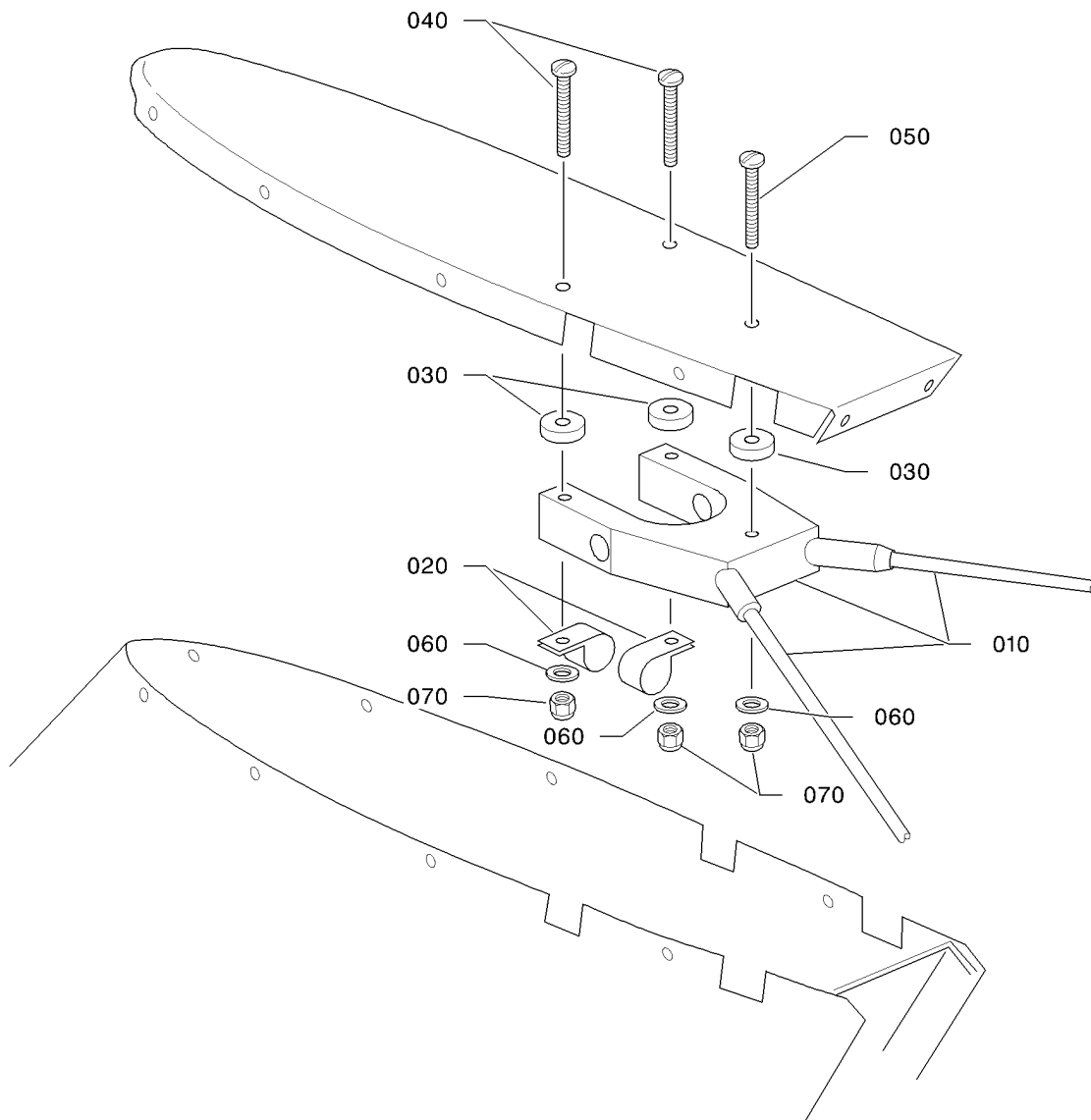
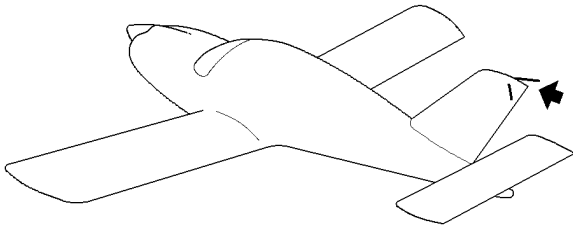
34-50-00

FIG. 1

PAGE 1

NOV 30/18

S/N 1 - 9999



14345100AAAQWZ4300

VOR ANTENNA
FIGURE 1

34-51-04

FIG. 1
PAGE 0 R

NOV 30/18

FIG.ITEM	PART NUMBER	NOMENCLATURE		EFFECT FROM TO	UNITS PER ASSY	OBS
		1234567 				
1 - 1	TB34-51-04-01-001		VOR ANTENNA		RF	
10	6053167220		.VOR ANTENNA		1	
20	7141170017		.CLAMP OPT TO CR5-17 MADE BY VF9954		2	R
30	TB10 09001135		.SPACER ATTACHING PARTS		3	
40	5169902118		.SCREW OPT TO NF E27128-40Q40CCU MADE BY VF0111		2	R
50	5101229112		.SCREW		1	
60	5719061160		.WASHER OPT TO NFE27618E40AJTL MADE BY VF0111		3	R
70	5401458159		.NUT OPT TO E25412B40QQVAL MADE BY VF0110 SUPSD BY 5414468159		3	R
- 70A	5414468159		.NUT OPT TO 4PH135M MADE BY VF0224 SUPSDS 5401458159 * * *		3	R

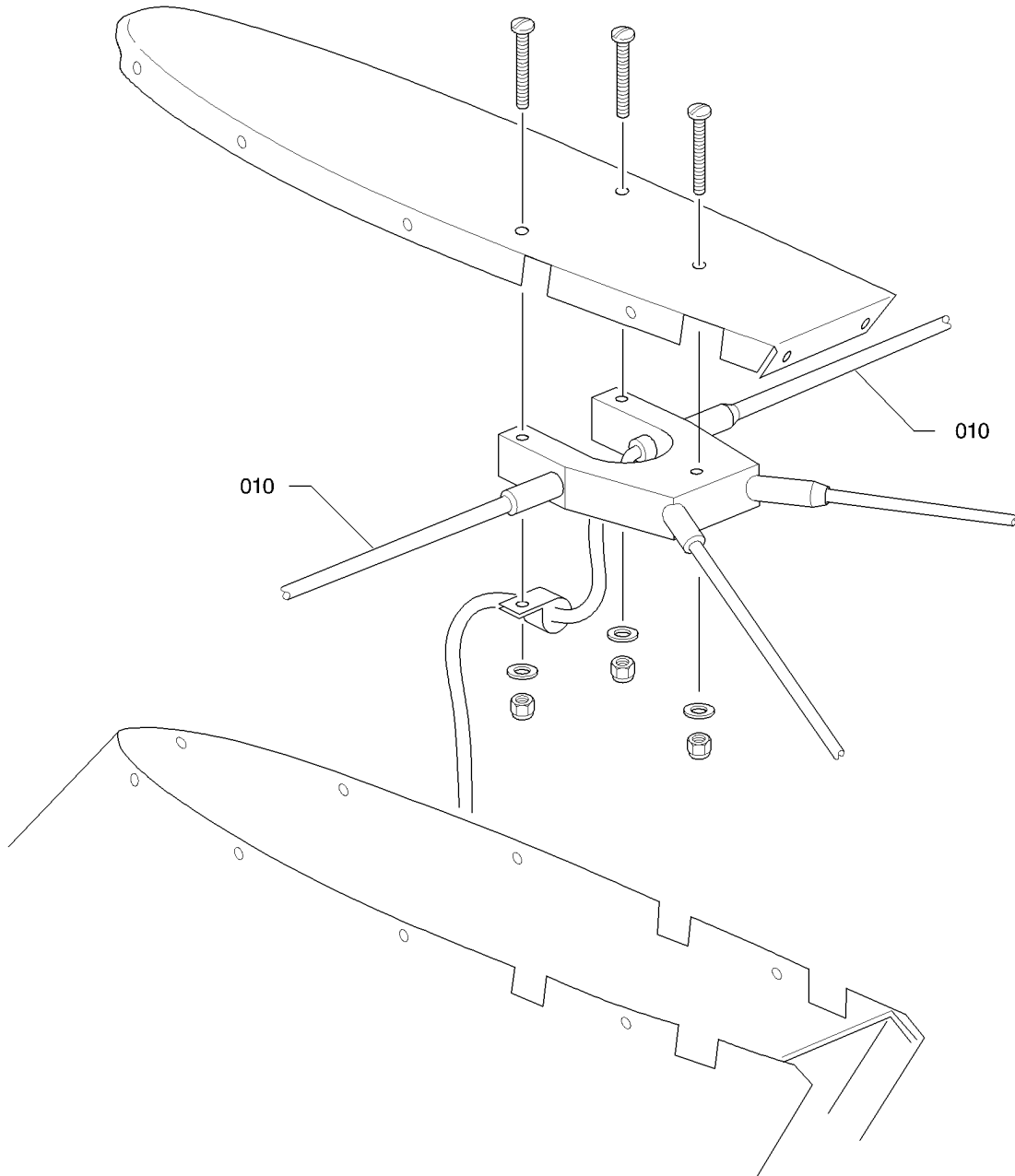
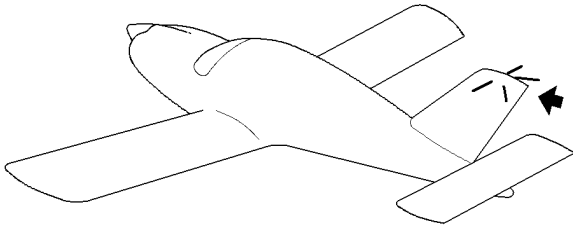
- ITEM NOT ILLUSTRATED

34-51-04

FIG. 1

PAGE 1

NOV 30/18



14345100AAQWZ4400

GLIDE AERIALS
FIGURE 2

34-51-04

FIG. 2
PAGE 0 R

NOV 30/18

FIG. ITEM	PART NUMBER	1234567 NOMENCLATURE	EFFECT FROM TO	UNITS PER ASSY	OBS
2 - 1 10	TB34-51-04-02-001 6053167221	GLIDE AERIALS .ANTENNA		RF 1	

- ITEM NOT ILLUSTRATED

34-51-04

FIG. 2

PAGE 1 R

NOV 30/18

S/N 1 - 9999 POST-MOD. 151

PAGE INTENTIONALLY BLANK