

MODELS TB

52

DOORS

CHAPTER 52
DOORS
LIST OF EFFECTIVE PAGES

CH-SECT	UNIT-FIG	PAGE	DATE	CH-SECT	UNIT-FIG	PAGE	DATE
LEP		1 *	NOV 30/18	52-40-00	1	0 *	NOV 30/18
LEP		2 *	NOV 30/18	52-40-00	1	1 *	NOV 30/18
T0C		1 *	NOV 30/18	52-40-00	1	2 *	NOV 30/18
T0C		2 *	NOV 30/18	52-40-00	1	3 *	DELETED
T0C		3 *	NOV 30/18				
T0C		4 *	NOV 30/18				
T0C		5 *	NOV 30/18				
52-00-00	1	0 *	NOV 30/18				
52-00-00	1	1 *	NOV 30/18				
52-10-00	1	0 *	NOV 30/18				
52-10-00	1	1 *	NOV 30/18				
52-10-00	1A	0 *	NOV 30/18				
52-10-00	1A	1 *	NOV 30/18				
52-10-00	1A	2 *	NOV 30/18				
52-10-00	1A	3 *	NOV 30/18				
52-10-00	1B	0 *	NOV 30/18				
52-10-00	1B	1 *	NOV 30/18				
52-10-00	1B	2 *	NOV 30/18				
52-10-00	1B	3 *	NOV 30/18				
52-10-00	1C	0 *	NOV 30/18				
52-10-00	1C	1 *	NOV 30/18				
52-10-00	1C	2 *	NOV 30/18				
52-10-00	1C	3 *	NOV 30/18				
52-10-00	1D	0 *	NOV 30/18				
52-10-00	1D	1 *	NOV 30/18				
52-10-00	2	0 *	NOV 30/18				
52-10-00	2	1 *	NOV 30/18				
52-10-00	2A	0 *	NOV 30/18				
52-10-00	2A	1 *	NOV 30/18				
52-10-00	2A	2 *	NOV 30/18				
52-10-00	2A	3 *	NOV 30/18				
52-30-00	1	0 *	NOV 30/18				
52-30-00	1	1 *	NOV 30/18				
52-30-00	1	2 *	NOV 30/18				
52-30-00	1	3 *	NOV 30/18				
52-30-00	1A	0 *	NOV 30/18				
52-30-00	1A	1 *	NOV 30/18				
52-30-00	1B	0 *	NOV 30/18				
52-30-00	1B	1 *	NOV 30/18				
52-30-00	1C	0 *	NOV 30/18				
52-30-00	1C	1 *	NOV 30/18				

* THE ASTERISK INDICATES PAGES CHANGED, ADDED OR DELETED

52 - LIST OF EFFECTIVE PAGES

PAGE 1

PAGE INTENTIONALLY BLANK

52 - LIST OF EFFECTIVE PAGES

PAGE 2

NOV 30/18

CHAPTER 52
DOORS
TABLE OF CONTENTS

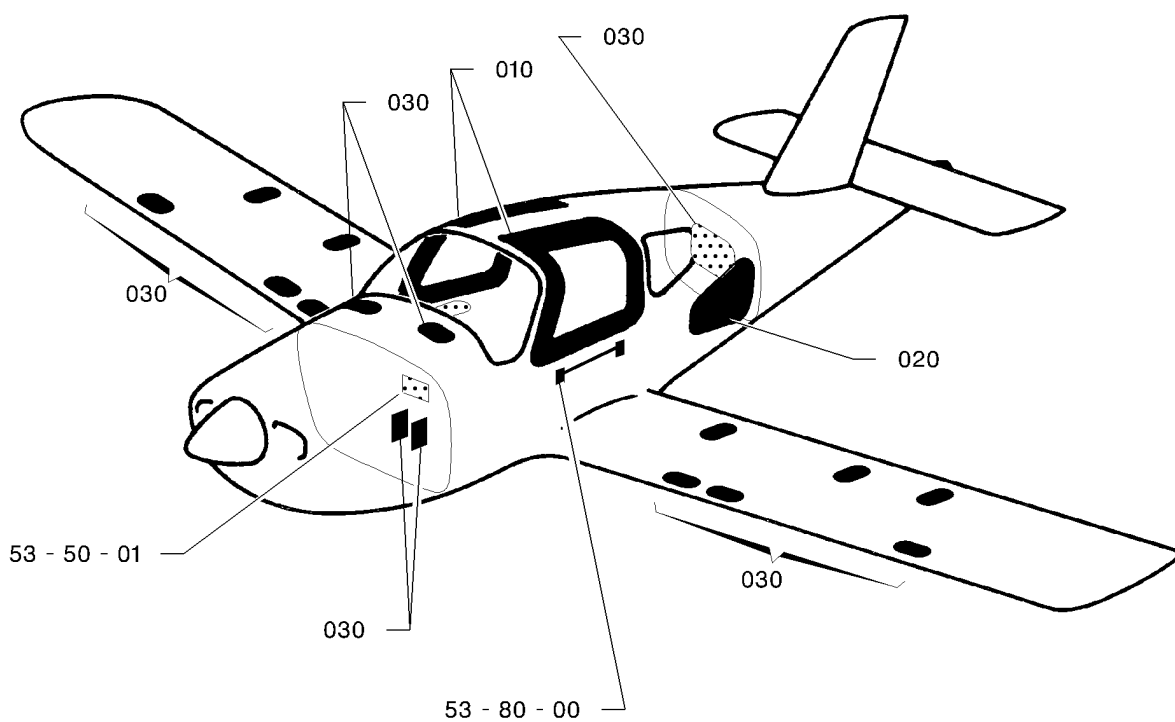
SUBJECT	CHAPTER SECTION FIG. SUBJECT	VALIDITY
DOORS	52-00	
DOORS	52-00-00 1	S/N 1 - 9999

SUBJECT	CHAPTER SECTION FIG. SUBJECT	VALIDITY
ACCESS DOORS	52-10	
ACCESS DOORS	52-10-00 1	S/N 1 - 274
ACCESS DOORS	52-10-00 1A	S/N 275 - 764, 766 - 878
ACCESS DOORS	52-10-00 1B	S/N 765, 879 - 1701, 1707 - 1733, 1742 - 1763, 1767 - 1770, 1786 - 1799
ACCESS DOORS	52-10-00 1C	S/N 1702 - 1706, 1734 - 1741, 1764 - 1766, 1771 - 1785, 1800 - 9999, PRE-MOD. 151
ACCESS DOORS	52-10-00 1D	S/N 1 - 9999 POST-MOD. 151
ACCESS DOORS	52-10-00 2	S/N 1 - 9999 PRE-MOD. 151
ACCESS DOORS	52-10-00 2A	S/N 1 - 9999 POST-MOD. 151

SUBJECT	CHAPTER SECTION FIG. SUBJECT	VALIDITY
CARGO COMPARTMENT DOOR	52-30	
BAGGAGE COMPARTMENT DOOR	52-30-00 1	S/N 1 - 730
BAGGAGE COMPARTMENT DOOR	52-30-00 1A	S/N 731 - 1421, 1425, 1436, 1437, 1441, 1454, 1455, 1464 - 1466
BAGGAGE COMPARTMENT DOOR	52-30-00 1B	S/N 1422 - 1424, 1426 - 1435, 1438 - 1440, 1442 - 1453, 1456 - 1463, 1467 - 9999, PRE-MOD. 151
BAGGAGE COMPARTMENT DOOR	52-30-00 1C	S/N 1 - 9999 POST-MOD. 151

SUBJECT	CHAPTER SECTION FIG. SUBJECT	VALIDITY
INSPECTION DOORS	52-40	
INSPECTION DOORS	52-40-00 1	S/N 1 - 9999

PAGE INTENTIONALLY BLANK



I4560000AAAABYZ4401

DOORS
FIGURE 1

52-00-00

FIG. 1
PAGE 0 R

NOV 30/18

FIG.ITEM	PART NUMBER	NOMENCLATURE	EFFECT FROM TO	UNITS PER ASSY	OBS
1 - 1 10 20 30	TB52-00-00-01-001 TB52-10-00-01 TB52-30-00-01 TB52-40-00-01	1234567 DOORS .ACCESS DOORS .BAGGAGE COMPARTMENT DOOR .INSPECTION DOORS		RF 1 1 1	

- ITEM NOT ILLUSTRATED

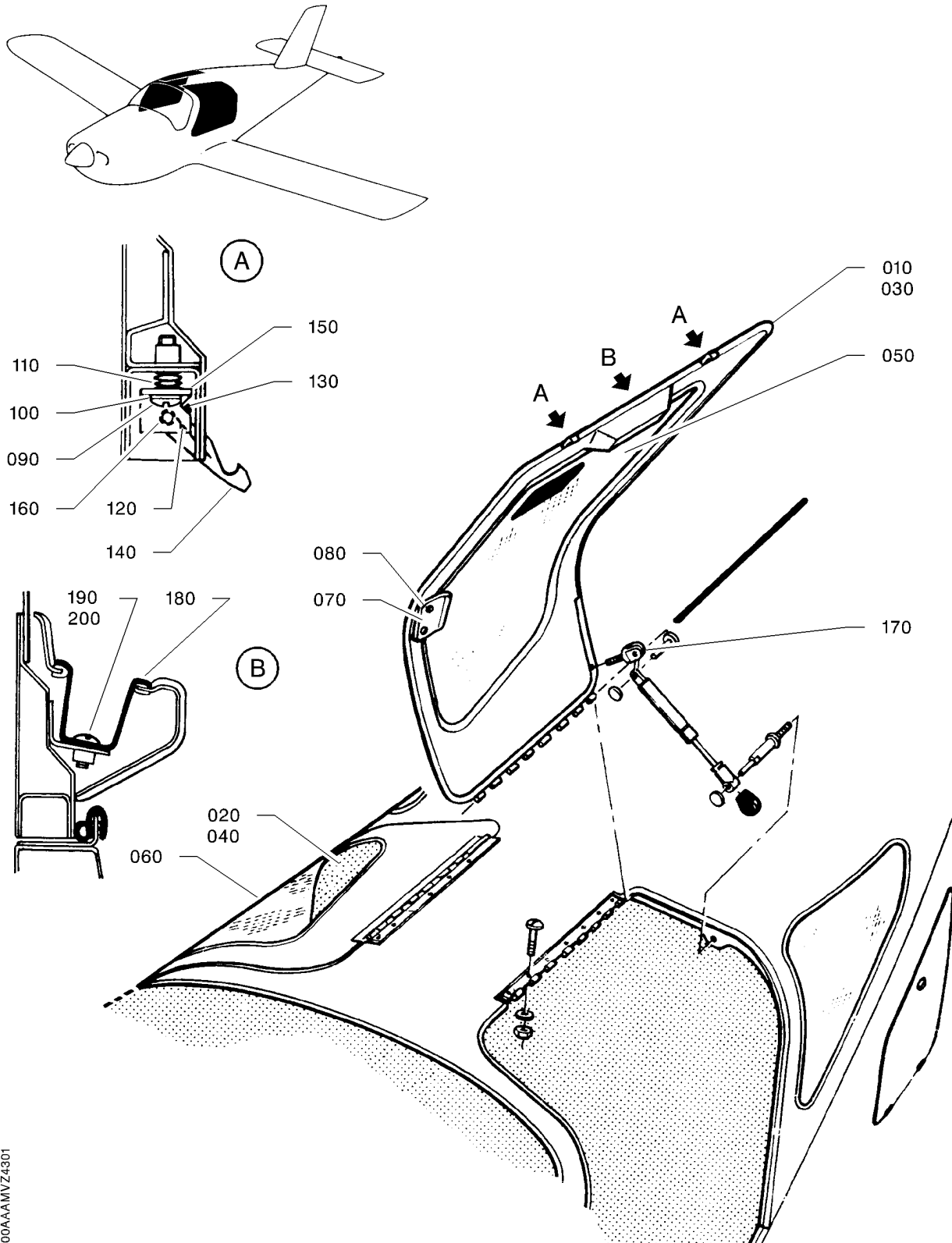
52-00-00

FIG. 1

PAGE 1 R

NOV 30/18

S/N 1 - 9999



14521000AAAAMVZ4301

ACCESS DOORS
FIGURE 1

52-10-00

FIG. 1

PAGE 0 R

NOV 30/18

FIG. ITEM	PART NUMBER	1234567 	NOMENCLATURE	EFFECT FROM TO	UNITS PER ASSY	OBS
1 - 1	TF52-10-00-01-001		ACCESS DOORS		RF	
10	TB10 25005000		.L.H. DOOR ASSY RPLD BY TB10 25004007		1	NP
20	TB10 25005001		.R.H. DOOR ASSY RPLD BY TB10 25004008		1	NP
30	TB10 25005004		..L.H. DOOR STRUCTURE RPLD BY TB10 25004000		1	NP
40	TB10 25005005		..R.H. DOOR STRUCTURE RPLD BY TB10 25004001		1	NP
50	TB56-20-00-01		..PASSENGERS		1	
60	TB56-20-00-01		..PASSENGERS		1	
70	TB10 25014100		..HANDLE ATTACHING PARTS		1	
80	5042010159		..SCREW		2	
90	5111929184		..SCREW		4	
100	5719061240		..WASHER OPT TO NFE E27618E50AJTL MADE BY VF0110		4	
110	5738064152		..WASHER * * *		24	
120	TB10 09060100		..SPRING		1	
130	5180336025		..PIN		2	
140	TB10 25012102		..HOOK RPLD BY TB10 25073000		2	NP
150	TB10 25018100		..YOKE RPLD BY TB10 25073000		2	NP
160	5785256326		..SPRING PIN VF0110 OPT TO E27489E35-25AXT MADE BY VF0110		2	
170	TB10 09084100		..YOKE		1	
180	TB10 74055110		..ARMREST RPLD BY TB10 74055115		1	OR
-180A	TB10 74055115		..ARMREST RPLS TB10 74055110 ATTACHING PARTS		1	
190	5169911078		..SCREW		2	
200	5386930400		..RAPID NUT OPT TO NU504-1 MADE BY VF0580 * * *		2	

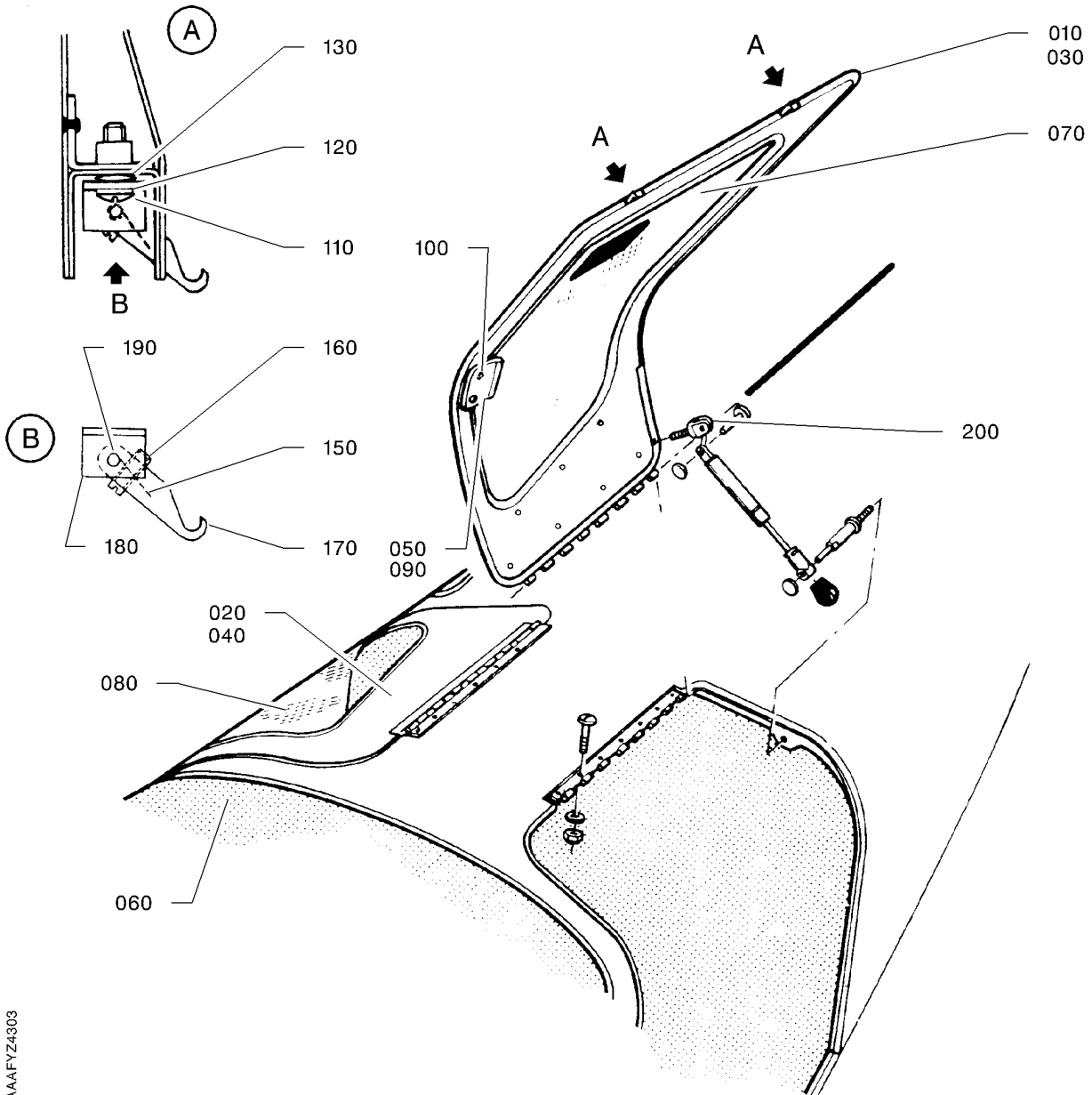
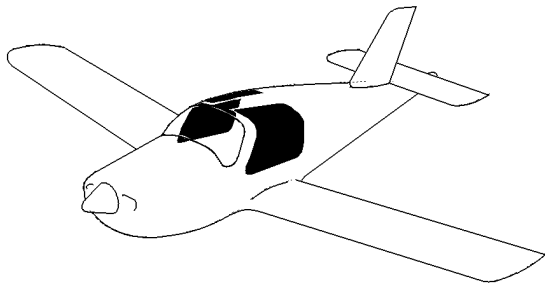
- ITEM NOT ILLUSTRATED

52-10-00

FIG. 1

PAGE 1 R

NOV 30/18



I4521000AAAFYZ4303

ACCESS DOORS
FIGURE 1A

52-10-00

FIG. 1A

PAGE 0 R

NOV 30/18

FIG.ITEM	PART NUMBER	1234567 	NOMENCLATURE	EFFECT FROM TO	UNITS PER ASSY	OBS
1A- 1	TF52-10-00-01A-001		ACCESS DOORS		RF	
10	TB10 25004007		.L.H. DOOR ASSY RPLD BY TB10 2500100210 OR TB10 2500100251 OR TB10 2500100252 + TB10 2500200000		1	OR
- 10A	TB10 2500100210		.L.H. DOOR ASSY WITH 1 DOOR, ORDER 1 DOUBLER TB10 25004108 + TAPERED SHIMS TB10 25004129 (QTY 2) RPLS TB10 25004007		1	
- 10B	TB10 2500100251		.L.H. DOOR ASSY WITH TINTED TRANSPARENT PANEL RPLS TB10 25004007		1	
- 10C	TB10 2500100252		.L.H. DOOR ASSY WITH TINTED TRANSPARENT PANEL AND SMALL WINDOW RPLS TB10 25004007		1	
20	TB10 25004008		.R.H. DOOR ASSY RPLD BY TB10 2500100310 OR TB10 2500100351 OR TB10 2500100352 + TB10 2500200100		1	OR
- 20A	TB10 2500100310		.R.H. DOOR ASSY WITH 1 DOOR, ORDER 1 DOUBLER TB10 25004108 + TAPERED SHIMS TB10 25004129 (QTY 2) RPLS TB10 25004008		1	
- 20B	TB10 2500100351		.R.H. DOOR ASSY WITH TINTED TRANSPARENT PANEL RPLS TB10 25004008		1	
- 20C	TB10 2500100352		.R.H. DOOR ASSY WITH TINTED TRANSPARENT PANEL AND SMALL WINDOW RPLS TB10 25004008		1	
30	TB10 25004000		..L.H. DOOR STRUCTURE		1	
40	TB10 25004001		..R.H. DOOR STRUCTURE		1	
50	TB10 74007103		..L.H. GUIDE RPLD BY TB10 74007118		1	OR
- 50A	TB10 74007118		..L.H. GUIDE RPLS TB10 74007103		1	
60	TB10 74007102		..R.H. GUIDE RPLD BY TB10 74007117		1	OR
- 60A	TB10 74007117		..R.H. GUIDE RPLS TB10 74007102		1	
70	56-20-00		..PASSENGERS COMPARTMENT		1	
80	56-20-00		..PASSENGERS COMPARTMENT		1	

- ITEM NOT ILLUSTRATED

52-10-00

FIG. 1A

PAGE 1 R

NOV 30/18

FIG. ITEM	PART NUMBER	NOMENCLATURE		EFFECT FROM TO	UNITS PER ASSY	OBS
		1234567 				
1A 90	TB10 25014100	..HANDLE	S/N 275 - 587, 589 - 599, 601 - 609		1	
- 90A	TB10 74007002	..HANDLE	S/N 588, 600, 610 - 764, 766 - 878		1	
		ATTACHING PARTS				
100	5147965176	..SCREW			2	
110	5111929184	..SCREW			4	
120	5701039240	..WASHER			4	R
		OPT TO ASN 53101 MADE BY VF0111				
130	5738064152	..WASHER			16	
		* * *				
-140		..HOOK ASSEMBLY (NOT CONSTITUTED)	S/N 275 - 795		4	NP
		RPLD BY TB10 25073000				
-140A	TB10 25073000	..HOOK ASSY			4	
150	TB10 09060100	...SPRING			1	
160	TB10 09100100	...SCREW			1	
170	TB10 25012102	...HOOK	S/N 275 - 795		1	NP
		RPLD BY TB10 25073000				
-170A	TB10 25072100	...HOOK			1	
-170B	TB10 25072101	...HOOK			1	
180	TB10 25075100	...YOKE			1	
190	5785256324	...SPRING PIN			1	
200	TB10 09084100	..YOKE			1	

- ITEM NOT ILLUSTRATED

52-10-00

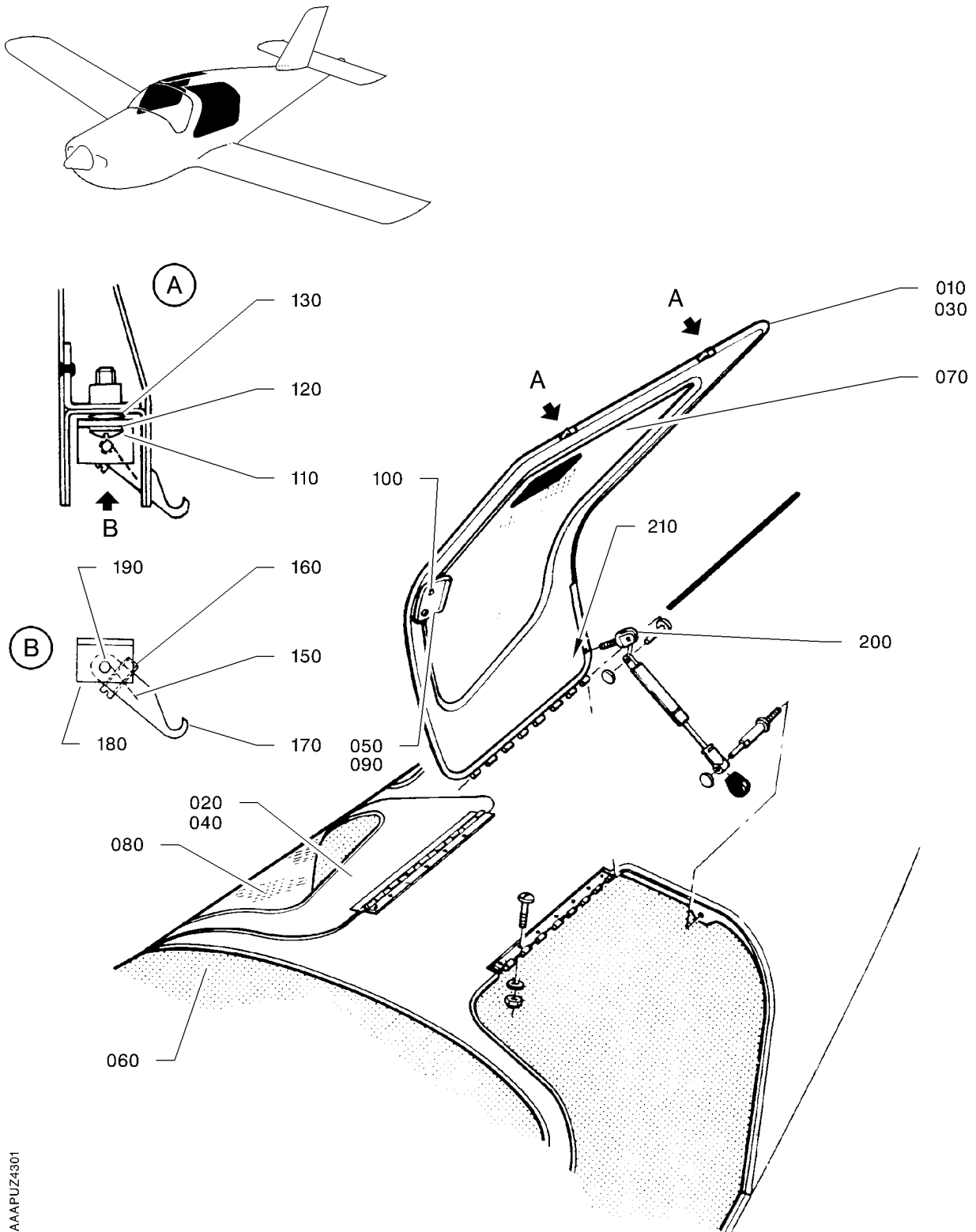
FIG. 1A

PAGE 2

NOV 30/18

S/N 275 - 764, 766 - 878

PAGE INTENTIONALLY BLANK



14521000AAAPUZ4301

ACCESS DOORS
FIGURE 1B

52-10-00

FIG. 1B

PAGE 0 R

NOV 30/18

S/N 765, 879 - 1701, 1707 - 1733, 1742 - 1763, 1767 - 1770, 1786 - 1799

FIG.ITEM	PART NUMBER	1234567 	NOMENCLATURE	EFFECT FROM TO	UNITS PER ASSY	OBS
1B- 1	TF52-10-00-01B-001		ACCESS DOORS		RF	
10	TB10 25004016		.L.H. DOOR ASSY RPLD BY TB10 2500100610 OR TB10 2500100651 OR TB10 2500100652 + TB10 2500200000		1	OR
- 10A	TB10 2500100610		.L.H. DOOR ASSY WITH 1 DOOR, ORDER 1 DOUBLER TB10 25004108 + TAPERED SHIMS TB10 25004129 (QTY 2) RPLS TB10 25004016		1	
- 10B	TB10 2500100651		.L.H. DOOR ASSY WITH TINTED TRANSPARENT PANEL RPLS TB10 25004016		1	
- 10C	TB10 2500100652		.L.H. DOOR ASSY WITH TINTED TRANSPARENT PANEL AND SMALL WINDOW RPLS TB10 25004016		1	
20	TB10 25004017		.R.H. DOOR ASSY RPLD BY TB10 2500100710 OR TB10 2500100751 OR TB10 2500100752 + TB10 2500200100		1	OR
- 20A	TB10 2500100710		.R.H. DOOR ASSY WITH 1 DOOR, ORDER 1 DOUBLER TB10 25004108 + TAPERED SHIMS TB10 25004129 (QTY 2) RPLS TB10 25004017		1	
- 20B	TB10 2500100751		.R.H. DOOR ASSY WITH TINTED TRANSPARENT PANEL RPLS TB10 25004017		1	
- 20C	TB10 2500100752		.R.H. DOOR ASSY WITH TINTED TRANSPARENT PANEL AND SMALL WINDOW RPLS TB10 25004017		1	
30	TB10 25004014		..L.H. DOOR STRUCTURE		1	
40	TB10 25004015		..R.H. DOOR STRUCTURE		1	
50	TB10 74007103		..L.H. GUIDE RPLD BY TB10 74007118		1	OR
- 50A	TB10 74007118		..L.H. GUIDE RPLS TB10 74007103		1	
60	TB10 74007102		..R.H. GUIDE RPLD BY TB10 74007117		1	OR
- 60A	TB10 74007117		..R.H. GUIDE RPLS TB10 74007102		1	
70	56-20-00		..PASSENGERS COMPARTMENT		1	
80	56-20-00		..PASSENGERS COMPARTMENT		1	
90	TB10 25014100		..HANDLE		1	

- ITEM NOT ILLUSTRATED

52-10-00

FIG. 1B

PAGE 1 R

NOV 30/18

S/N 765, 879 - 1701, 1707 - 1733, 1742 - 1763, 1767 - 1770, 1786 - 1799

FIG.ITEM	PART NUMBER	1234567 	NOMENCLATURE	EFFECT FROM TO	UNITS PER ASSY	OBS
1B			ATTACHING PARTS			
100	5147965176		..SCREW		2	
110	5111929184		..SCREW		4	
120	5701039240		..WASHER		4	R
			OPT TO ASN 53101 MADE BY VF0111			
130	5738064152		..WASHER		16	
			* * *			
-140	TB10 25073000		..HOOK ASSY		4	
150	TB10 09060100		...SPRING		1	
160	TB10 09100100		...SCREW		1	
170	TB10 25072101		...HOOK		1	
180	TB10 25075100		...YOKE		1	
190	5785256324		...SPRING PIN		1	
200	TB10 09084100		..YOKE		1	
210	TB09 22100116		..BLANKING STRIP		1	

- ITEM NOT ILLUSTRATED

52-10-00

FIG. 1B

PAGE 2

NOV 30/18

S/N 765, 879 - 1701, 1707 - 1733, 1742 - 1763, 1767 - 1770, 1786 - 1799

PAGE INTENTIONALLY BLANK

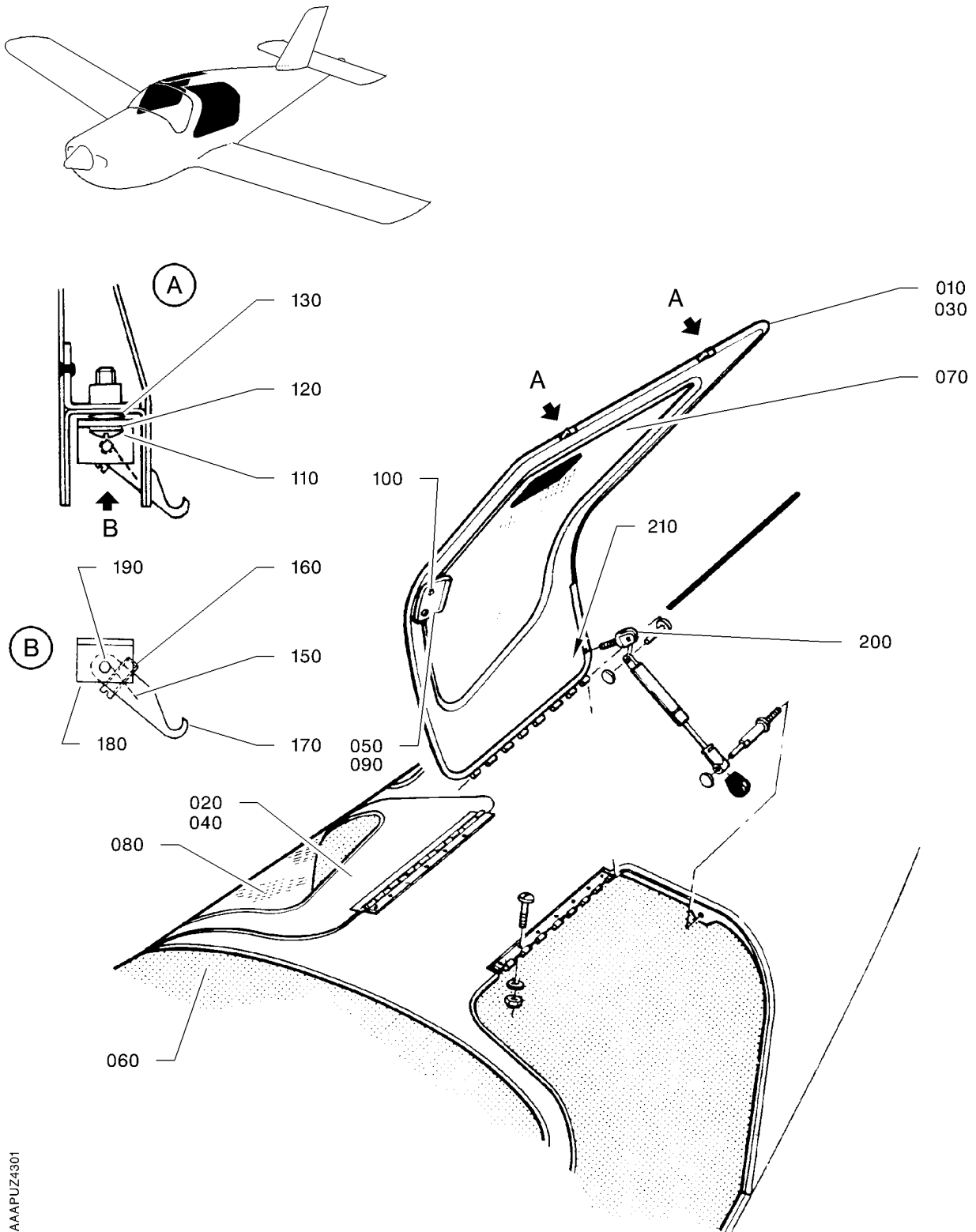
52-10-00

FIG. 1B

PAGE 3 R

NOV 30/18

S/N 765, 879 - 1701, 1707 - 1733, 1742 - 1763, 1767 - 1770, 1786 - 1799



14521000AAAPUZ4301

ACCESS DOORS
FIGURE 1C

52-10-00

FIG. 1C
PAGE 0 R

S/N 1702 - 1706, 1734 - 1741, 1764 - 1766, 1771 - 1785, 1800 - 9999, PRE-MOD. 151
NOV 30/18

FIG.ITEM	PART NUMBER	1234567 	NOMENCLATURE	EFFECT FROM TO	UNITS PER ASSY	OBS
1C- 1	TF52-10-00-01C-001		ACCESS DOORS		RF	
10	TB10 25004026		.L.H. DOOR ASSY S/N 1702 - 1706, 1734 - 1741, 1764 - 1766, 1771 - 1785, 1800 - 1844, 1850, 1856 - 1859 RPLD BY TB10 2500100610 OR TB10 2500100651 OR TB10 2500100652 + TB10 2500200000		1	OR
- 10A	TB10 2500100610		.L.H. DOOR ASSY WITH 1 DOOR, ORDER 1 DOUBLER TB10 25004108 + TAPERED SHIMS TB10 25004129 (QTY 2) RPLS TB10 25004026		1	
- 10B	TB10 2500100651		.L.H. DOOR ASSY WITH TINTED TRANSPARENT PANEL RPLS TB10 25004026		1	
- 10C	TB10 2500100652		.L.H. DOOR ASSY WITH TINTED TRANSPARENT PANEL AND SMALL WINDOW RPLS TB10 25004026		1	
20	TB10 25004027		.R.H. DOOR ASSY S/N 1702 - 1706, 1734 - 1741, 1764 - 1766, 1771 - 1785, 1800 - 1844, 1850, 1856 - 1859 RPLD BY TB10 2500100710 OR TB10 2500100751 OR TB10 2500100752 + TB10 2500200100		1	OR
- 20A	TB10 2500100710		.R.H. DOOR ASSY WITH 1 DOOR, ORDER 1 DOUBLER TB10 25004108 + TAPERED SHIMS TB10 25004129 (QTY 2) RPLS TB10 25004027		1	
- 20B	TB10 2500100751		.R.H. DOOR ASSY WITH TINTED TRANSPARENT PANEL RPLS TB10 25004027		1	
- 20C	TB10 2500100752		.R.H. DOOR ASSY WITH TINTED TRANSPARENT PANEL AND SMALL WINDOW RPLS TB10 25004027		1	
30	TB10 25004024		..L.H. DOOR STRUCTURE WITH DOOR TB10 25004026		1	
- 30A	TB10 2500100810		..L.H. DOOR STRUCTURE WITH DOOR TB10 2500100610		1	
40	TB10 25004025		..R.H. DOOR STRUCTURE WITH DOOR TB10 25004027		1	
- 40A	TB10 2500100910		..R.H. DOOR STRUCTURE WITH DOOR TB10 2500100710		1	

- ITEM NOT ILLUSTRATED

52-10-00

FIG. 1C

PAGE 1 R

NOV 30/18

S/N 1702 - 1706, 1734 - 1741, 1764 - 1766, 1771 - 1785, 1800 - 9999, PRE-MOD. 151

FIG. ITEM	PART NUMBER	1234567 	NOMENCLATURE	EFFECT FROM TO	UNITS PER ASSY	OBS
1C 50	TB10 74007103		..L.H. GUIDE RPLD BY TB10 74007118		1	OR
- 50A	TB10 74007118		..L.H. GUIDE RPLS TB10 74007103		1	
60	TB10 74007102		..R.H. GUIDE RPLD BY TB10 74007117		1	OR
- 60A	TB10 74007117		..R.H. GUIDE RPLS TB10 74007102		1	
70	56-20-00		..PASSENGERS COMPARTMENT		1	
80	56-20-00		..PASSENGERS COMPARTMENT		1	
90	TB10 25014100		..HANDLE ATTACHING PARTS		1	
100	5147965176		..SCREW		2	
110	5111929184		..SCREW		4	
120	5701039240		..WASHER OPT TO ASN 53101 MADE BY VF0111		4	R
130	5738064152		..WASHER * * *		16	
-140	TB10 25073000		..HOOK ASSY		2	
150	TB10 09060100		...SPRING		1	
160	TB10 09100100		...SCREW		1	
170	TB10 25072101		...HOOK		1	
180	TB10 25075100		...YOKE		1	
190	5785256324		...SPRING PIN		1	
200	TB10 09084100		..YOKE		1	
210	TB09 22100116		..BLANKING STRIP		1	

- ITEM NOT ILLUSTRATED

52-10-00

FIG. 1C

PAGE 2

NOV 30/18

S/N 1702 - 1706, 1734 - 1741, 1764 - 1766, 1771 - 1785, 1800 - 9999, PRE-MOD. 151

PAGE INTENTIONALLY BLANK

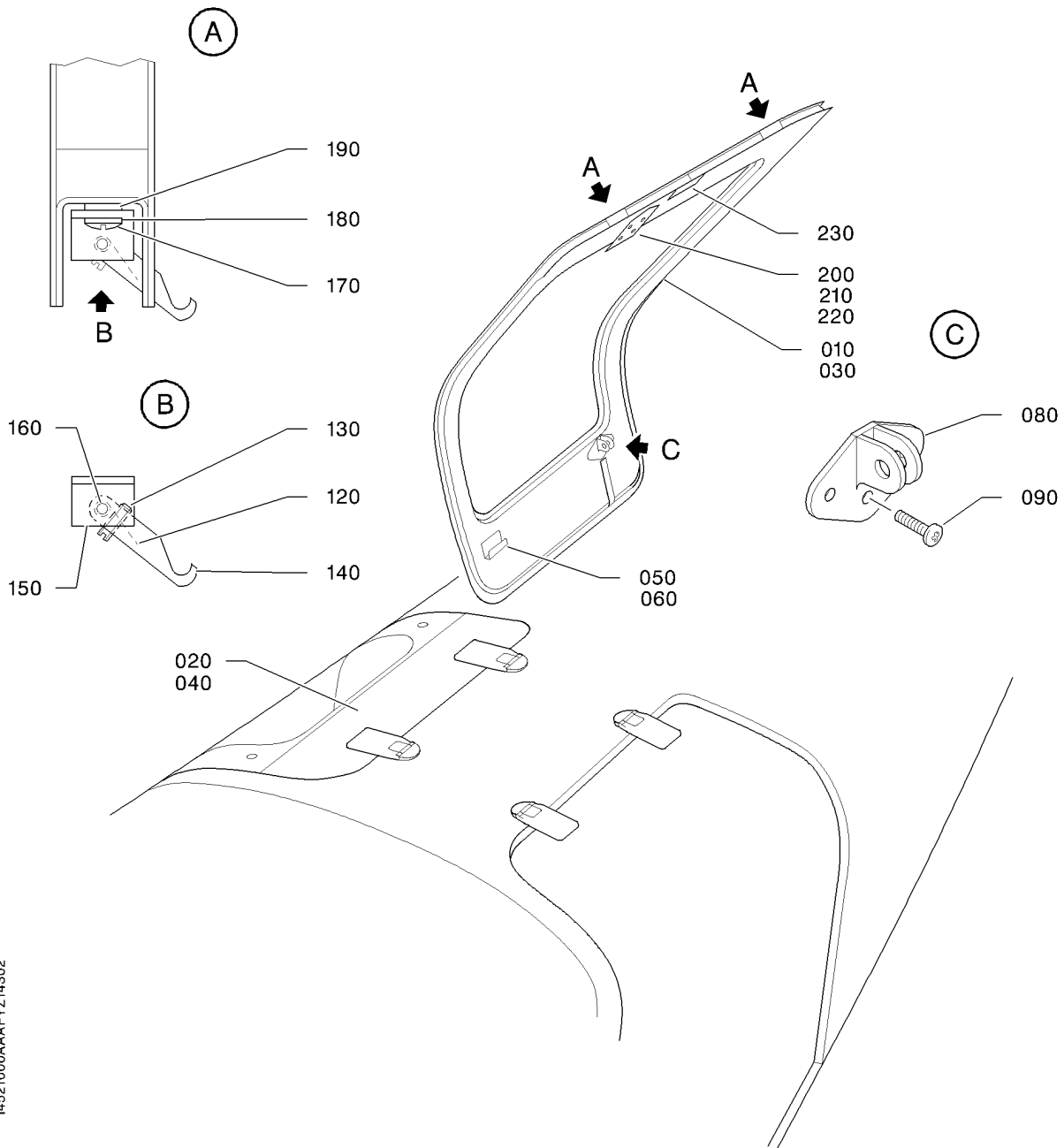
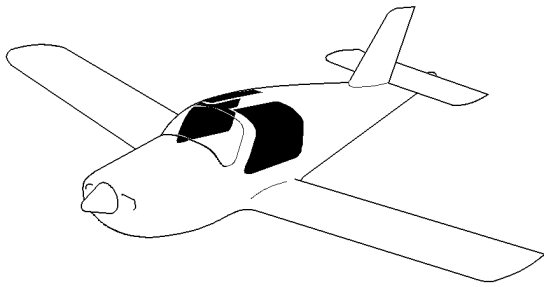
52-10-00

FIG. 1C

PAGE 3 R

NOV 30/18

S/N 1702 - 1706, 1734 - 1741, 1764 - 1766, 1771 - 1785, 1800 - 9999, PRE-MOD. 151



14521000AAA FYZ14302

ACCESS DOORS
FIGURE 1D

52-10-00

FIG. 1D

PAGE 0 R

NOV 30/18

FIG.ITEM	PART NUMBER	1234567 	NOMENCLATURE	EFFECT FROM TO	UNITS PER ASSY	OBS
1D- 1	TB52-10-00-01D-001		ACCESS DOORS		RF	
10	TB10 2508500010		.L.H. DOOR ASSY		1	
20	TB10 2508500110		.R.H. DOOR ASSY		1	
30	TB10 2508000001		..L.H. DOOR STRUCTURE		1	
40	TB10 2508000101		..R.H. DOOR STRUCTURE		1	
50	TB10 2508910000		..HANDLE		1	
			ATTACHING PARTS			
60	5169902160		..SCREW VF0111 OPT TO NF E27128-50Q8CCU MADE BY VF0111 * * *		2	
80	TB10 2508610200		..HINGE FITTING RPLD BY TB10 25086103		1	NP
- 80A	TB10 25086103		..FITTING RPLS TB10 2508610200 ATTACHING PARTS		1	
90	5169911078		..SCREW * * *		3	
-110	TB10 25073000		..HOOK ASSY		2	
120	TB10 09060100		...SPRING		1	
130	TB10 09100100		...SCREW		1	
140	TB10 25072101		...HOOK		1	
150	TB10 25075100		...YOKE		1	
160	5785256324		...SPRING PIN ATTACHING PARTS		1	
170	5111929184		...SCREW		4	
180	5701039240		...WASHER OPT TO ASN 53101 MADE BY VF0111		4	R
190	5738064152		...WASHER * * *		16	
200	TB10 7422710101		..SUPPORT		1	
210	5431218040		...ANCHOR NUT, ONE LUG OPT TO 4SR2009M MADE BY VF0224 ATTACHING PARTS		2	R
220	5142023075		...SCREW * * *		2	
230	TB10 25906101		..SHIM		1	

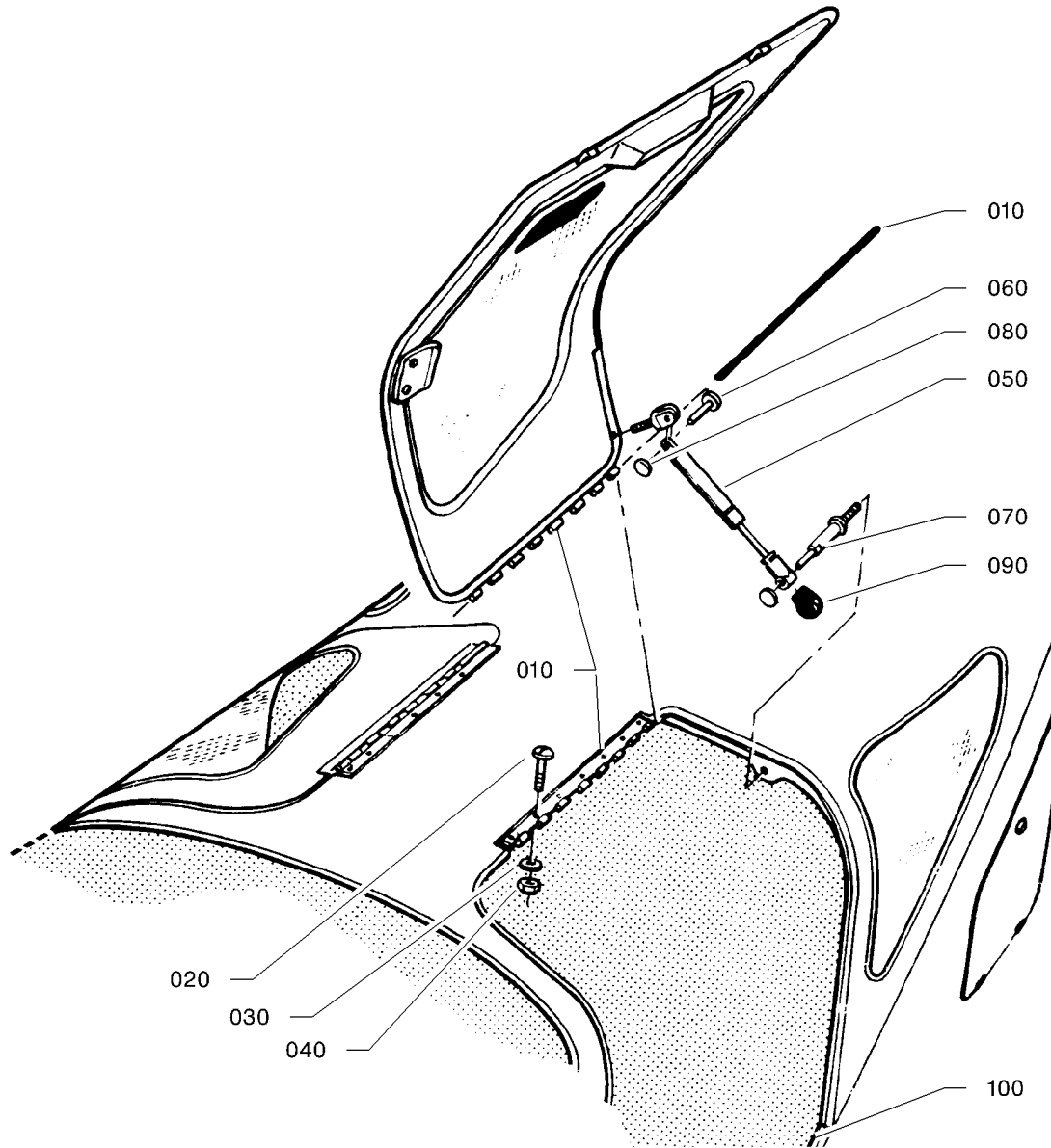
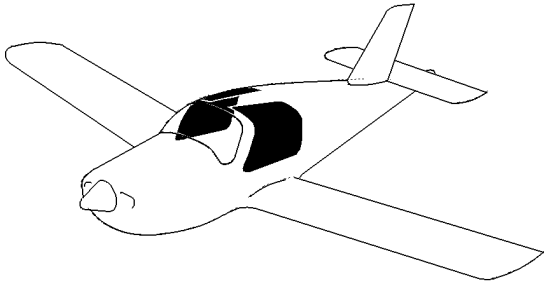
- ITEM NOT ILLUSTRATED

52-10-00

FIG. 1D

PAGE 1

NOV 30/18



14521000AA CAVZ4300

ACCESS DOORS
FIGURE 2

52-10-00

FIG. 2

PAGE 0 R

NOV 30/18

FIG.ITEM	PART NUMBER	1234567 	NOMENCLATURE	EFFECT FROM TO	UNITS PER ASSY	OBS
2 - 1	TF52-10-00-02-001		ACCESS DOORS		RF	
10	TB10 25005007		.HINGE ASSY WITH DOOR TB10 25005000 OR TB10 25005001, TB10 25004007 OR TB10 25004008, TB1025004016 OR TB1025004017, TB1025004026 OR TB1025004027 WITH 1 HINGE, ORDER : 1 DOUBLER TB10 25004108 + TAPERED SHIMS TB10 25004129 (QTY 2)		2	
- 10A	TB10 2500200000		.L.H. HINGE ASSY WITH DOOR TB10 2500100610 WITH 1 HINGE, ORDER : 1 DOUBLER TB10 25004108 + TAPERED SHIMS TB10 25004129 (QTY 2)		1	
- 10B	TB10 2500200100		.R.H. HINGE ASSY WITH TB10 2500100310, TB10 2500100710 WITH 1 HINGE, ORDER : 1 DOUBLER TB10 25004108 + TAPERED SHIMS TB10 25004129 (QTY 2)		1	
20	5169911078		.SCREW		14	
30	5701039160		.WASHER OPT TO NFL23111AD040L MADE BY VF0111		14	R
40	5401458159		.NUT OPT TO E25412B40QQVAL MADE BY VF0110 SUPSD BY 5414468159		14	R
- 40A	5414468159		.NUT OPT TO 4PH135M MADE BY VF0224 SUPSDS 5401458159		14	R
50	7070110708		* * * .BALANCING ROD S/N 1 - 1458, 1460 RPLD BY 7070780005		2	OR
- 50A	7070780005		.BALANCING ROD RPLS 7070110708		2	
60	5611273341		.CLEVIS PIN OPT TO 22719BC060016L MADE BY VF0111		2	R
70	TB10 09084101		.BOLT		2	
80	5730002060		.RETAINING WASHER		4	
90	TB10 25020110		.PROTECTIVE CAP		2	
100	TB53-40-02-01		.CENTRAL PART		1	

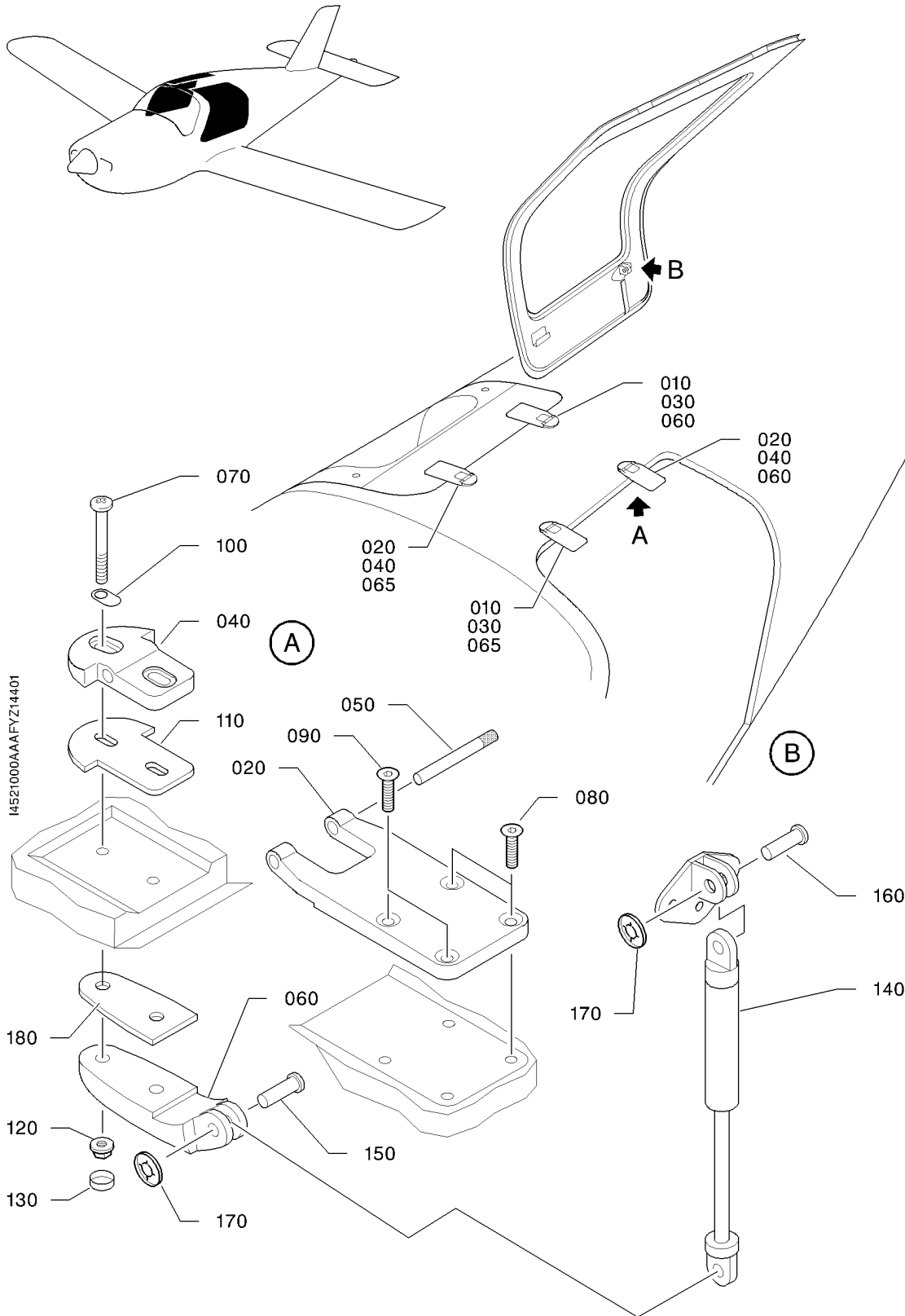
- ITEM NOT ILLUSTRATED

52-10-00

FIG. 2

PAGE 1

NOV 30/18



I452T000AAAAYZ14401

ACCESS DOORS
FIGURE 2A

52-10-00

FIG. 2A

PAGE 0 R

NOV 30/18

FIG.ITEM	PART NUMBER	1234567 	NOMENCLATURE	EFFECT FROM TO	UNITS PER ASSY	OBS
2A- 1	TB52-10-00-02A-001		ACCESS DOORS		RF	
10	TB10 2508110000		.HINGE FITTING		2	
20	TB10 2508110100		.HINGE FITTING		2	
30	TB10 2508110300		.HINGE FITTING		2	
40	TB10 2508110400		.HINGE FITTING		2	
50	TB10 2508410000		.HINGE PIN PRE-SB 10-124-52 RPLD BY TB10 2508410200		4	NP
- 50A	TB10 2508410200		.HINGE PIN POST-SB 10-124-52 RPLS TB10 2508410000		4	
60	TB10 2508610000		.HINGE FITTING		2	
65	TB10 2203110000		.COUNTERPLATE ATTACHING PARTS		2	
70	TB10 0911210000		.SCREW WITH SHIM TB10 0917110000, THICKNESS FROM 0 TO 0.06 IN (1,4 MM) RPLD BY 5143907214		8	NP
- 70A	5143907214		.SCREW RPLS TB10 0911210000		8	
- 70B	TB10 0911210100		.SCREW WITH SHIM TB10 0917110000, THICKNESS FROM 0.06 TO 0.12 IN (1,5 TO 3 MM) RPLD BY 5143907220		8	NP
- 70C	5143907220		.SCREW RPLS TB10 0911210100		8	
80	5143907164		.SCREW		8	
90	5143907175		.SCREW		8	
100	TB10 0917100051		.WASHERS KIT 3 WASHER OF DIFFERENT SHAPES. ONLY USE ONE, SELECTED ACCORDING TO DOOR SETTING.		8	
110	TB10 0917110000		.PEELABLE SHIM		4	
120	5414468239		.NUT VF0224 OPT TO 5PH135M MADE BY VF0224		8	
130	7130112250		.CAP * * *		8	
140	7070631304		.GAS STRUT RPLD BY 7070020001		2	NP
-140A	7070020001		.GAS STRUT RPLS 7070631304		2	
150	5611273341		.CLEVIS PIN VF0111 OPT TO NFL22719BC060016L MADE BY VF0111		2	
160	5611273329		.CLEVIS PIN		2	

- ITEM NOT ILLUSTRATED

52-10-00

FIG. 2A

PAGE 1 R

NOV 30/18

FIG. ITEM	PART NUMBER	NOMENCLATURE	EFFECT FROM TO	UNITS PER ASSY	OBS
2A 170	5730003060	1234567 .RETAINING WASHER VK3847 OPT TO 6493.1060 MADE BY VK3847		4	
180	TB10 2508610100	.SHIM		AR	

- ITEM NOT ILLUSTRATED

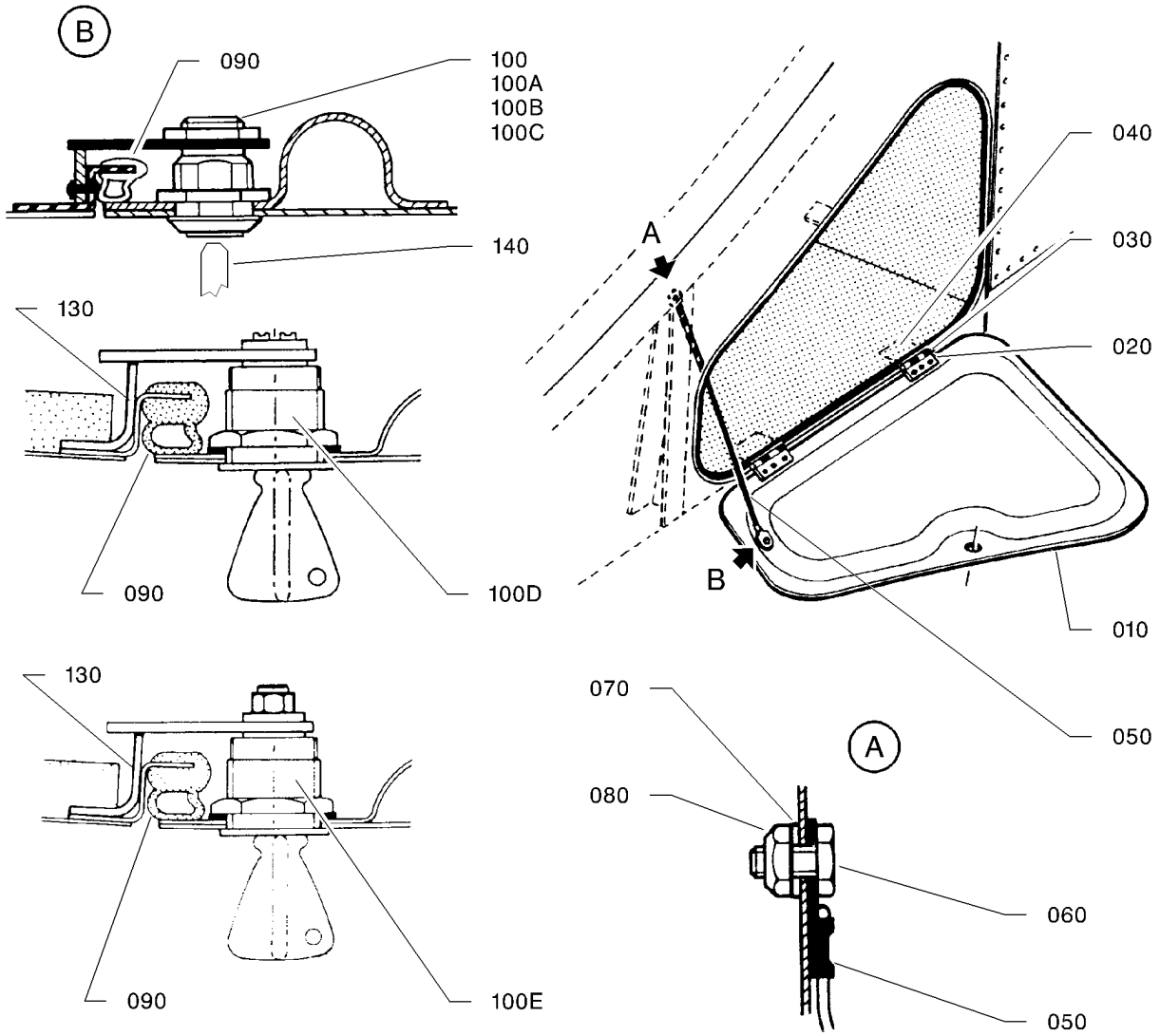
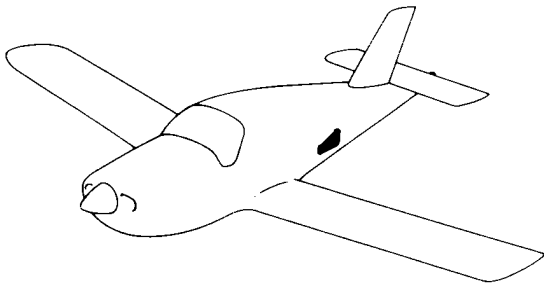
52-10-00

FIG. 2A

PAGE 2 R

NOV 30/18

PAGE INTENTIONALLY BLANK



14523000AAA DVZ4301

BAGGAGE COMPARTMENT DOOR
FIGURE 1

52-30-00

FIG. 1
PAGE 0 R
NOV 30/18

FIG.ITEM	PART NUMBER	NOMENCLATURE		EFFECT FROM TO	UNITS PER ASSY	OBS
		1234567 				
1 - 1	TB52-30-00-01-001		BAGGAGE COMPARTMENT DOOR		RF	
10	TB10 25007002		.DOOR STRUCTURE RPLD BY TB10 25007003		1	R
- 10A	TB10 25007003		.DOOR STRUCTURE RPLS TB10 25007002		1	R
20	TB10 25007103		..HALF-HINGE ORDER IMPERATIVELY HALF-HINGES TB10 25007103 (QTY 2) + HINGE PIN TB10 25007104		4	R
30	TB10 25007104		..HINGE PIN ORDER IMPERATIVELY HALF-HINGES TB10 25007103 (QTY 2) + HINGE PIN TB10 25007104		2	R
40	TB10 25007105		.SHIM		2	
50	TB10 79025001		.DOOR RETAINING STRAP ASSY ATTACHING PARTS		1	
60	5101229075		.BOLT		1	R
70	5701039160		.WASHER OPT TO NFL23111AD040L MADE BY VF0111		1	R
80	5401458159		.NUT OPT TO E25412B40QQVAL MADE BY VF0110 SUPSD BY 5414468159		1	R
- 80A	5414468159		.NUT OPT TO 4PH135M MADE BY VF0224 SUPSDS 5401458159 * * *		1	R
90	4241491604		.DOOR SEAL LENGTH : 72.84 IN (1.85 M) SUPSD BY 4248600195		1	R
- 90A	4248600195		.DOOR SEAL OPT TO NCPR0195 MADE BY VF3944 SUPSDS 4241491604		1	R
100	6078717220		.LOCK S/N 1 - 100 RPLD BY OPT10 912200 OR OPT10 914000		1	OR
100A	6078717221		.LOCK S/N 101 - 587 RPLD BY OPT10 912200 OR OPT10 914000		1	OR
100B	6034007220		.LOCK OPT TO 1160A+911B MADE BY VF1520 S/N 588 - 730 RPLD BY OPT10 912200		1	OR R

- ITEM NOT ILLUSTRATED

52-30-00

FIG. 1

PAGE 1

NOV 30/18

S/N 1 - 730

FIG.ITEM	PART NUMBER	1234567 	NOMENCLATURE	EFFECT FROM TO	UNITS PER ASSY	OBS
1 100C	OPT10 914000		.KESO LOCK INSTALLATION KIT S/N 1 - 145 RPLS 6078717220 OR 6078717221		1	
100D	OPT10 912200		.KESO LOCK INSTALLATION KIT S/N 146 - 730 RPLS 6078717220 OR 6078717221 OR 6034007220 RPLD BY OPT10 917100		1	OR R
100E	OPT10 917100		.KESO LOCK INSTALLATION KIT S/N 146 - 730 RPLS OPT10 912200		1	
130	TB10 25021104		.ANGLE BRACKET		1	
140	7908011001		.ROUGH KEY H.K. INDUSTRIES R23R ONLY FOR RICOUARD LOCKS		1	

- ITEM NOT ILLUSTRATED

52-30-00

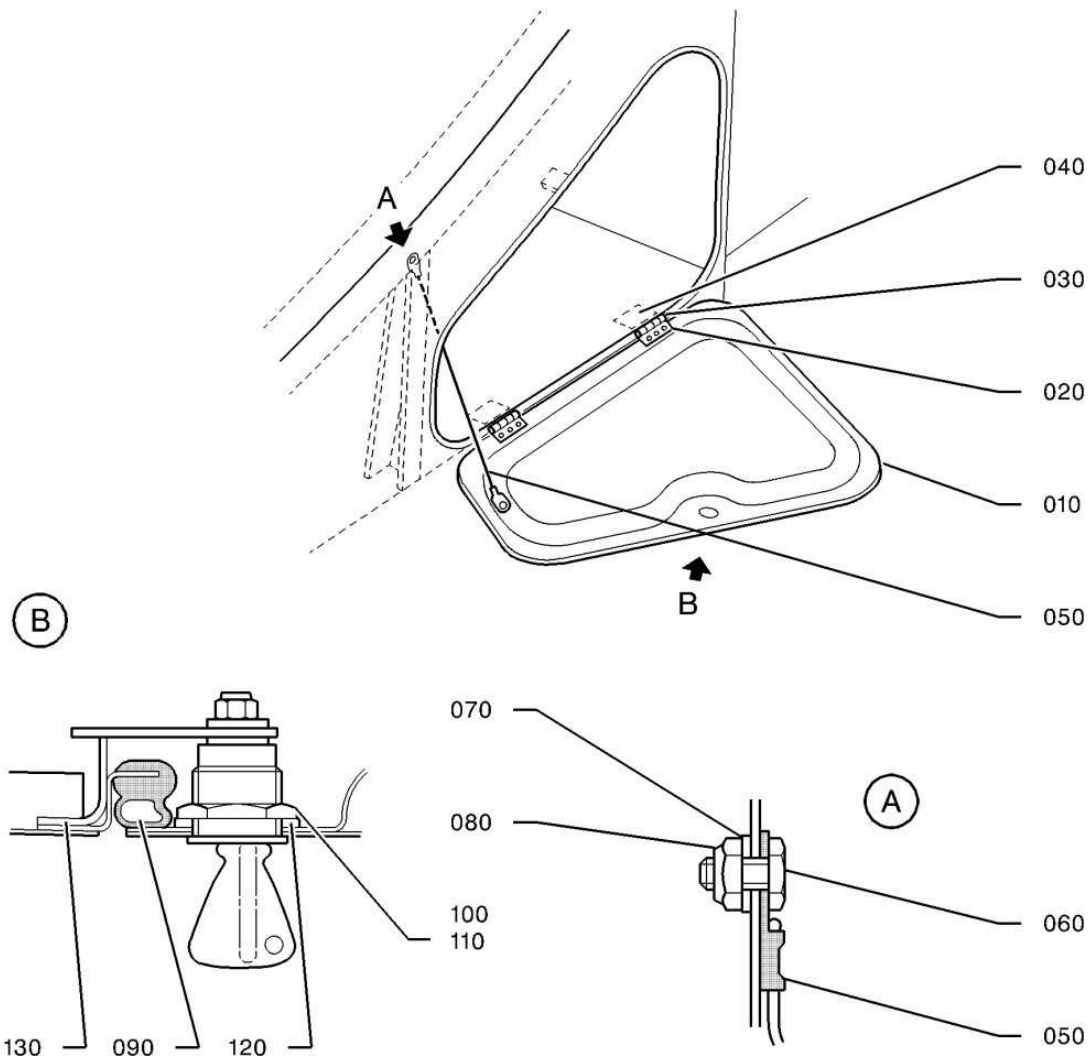
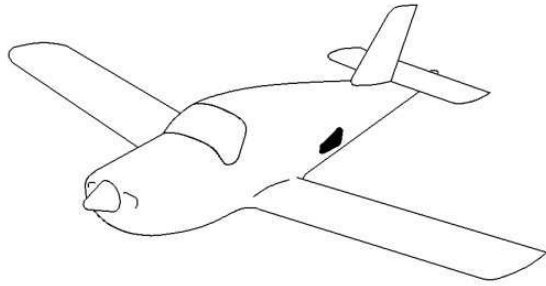
FIG. 1

PAGE 2

NOV 30/18

S/N 1 - 730

PAGE INTENTIONALLY BLANK



BAGGAGE COMPARTMENT DOOR
FIGURE 1A

52-30-00

FIG. 1A

PAGE 0 R

NOV 30/18

FIG.ITEM	PART NUMBER	1234567 	NOMENCLATURE	EFFECT FROM TO	UNITS PER ASSY	OBS
1A- 1	TB52-30-00-01A-001		BAGGAGE COMPARTMENT DOOR		RF	
10	TB10 25007002		.DOOR STRUCTURE RPLD BY TB10 25007003		1	R
- 10A	TB10 25007003		.DOOR STRUCTURE RPLS TB10 25007002		1	R
20	TB10 25007103		..HALF-HINGE ORDER IMPERATIVELY HALF-HINGES TB10 25007103 (QTY 2) + HINGE PIN TB10 25007104		4	R
30	TB10 25007104		..HINGE PIN ORDER IMPERATIVELY HALF-HINGES TB10 25007103 (QTY 2) + HINGE PIN TB10 25007104		2	R
40	TB10 25007105		.SHIM		2	
50	TB10 79025001		.DOOR RETAINING STRAP ASSY ATTACHING PARTS		1	
60	5101229075		.BOLT		1	R
70	5701039160		.WASHER OPT TO NFL23111AD040L MADE BY VF0111		1	R
80	5401458159		.NUT OPT TO E25412B40QQVAL MADE BY VF0110 SUPSD BY 5414468159		1	R
- 80A	5414468159		.NUT OPT TO 4PH135M MADE BY VF0224 SUPSDS 5401458159 * * *		1	R
90	4241491604		.DOOR SEAL LENGTH : 72.84 IN (1.85 M) SUPSD BY 4248600195		1	R
- 90A	4248600195		.DOOR SEAL OPT TO NCPR0195 MADE BY VF3944 SUPSDS 4241491604		1	R
100	7768011362		.SET OF 3 "KESO" LOCKS AS SPARES, ORDER 7768011361 (QTY 1) + TB10 25023006 (QTY 1) + TB10 25023007 (QTY 1) + TB10 25021104 (QTY 1) + TB10 72052105 OR TB10 72052106 (QTY 1) - REFER TO 11-20-00		1	OR R
110	OPT10 917100		.KESO LOCK INSTALLATION KIT S/N 731 - 1421		1	R
120	TB10 25021105		.STOP		1	
130	TB10 25021103		.ANGLE BRACKET		1	

- ITEM NOT ILLUSTRATED

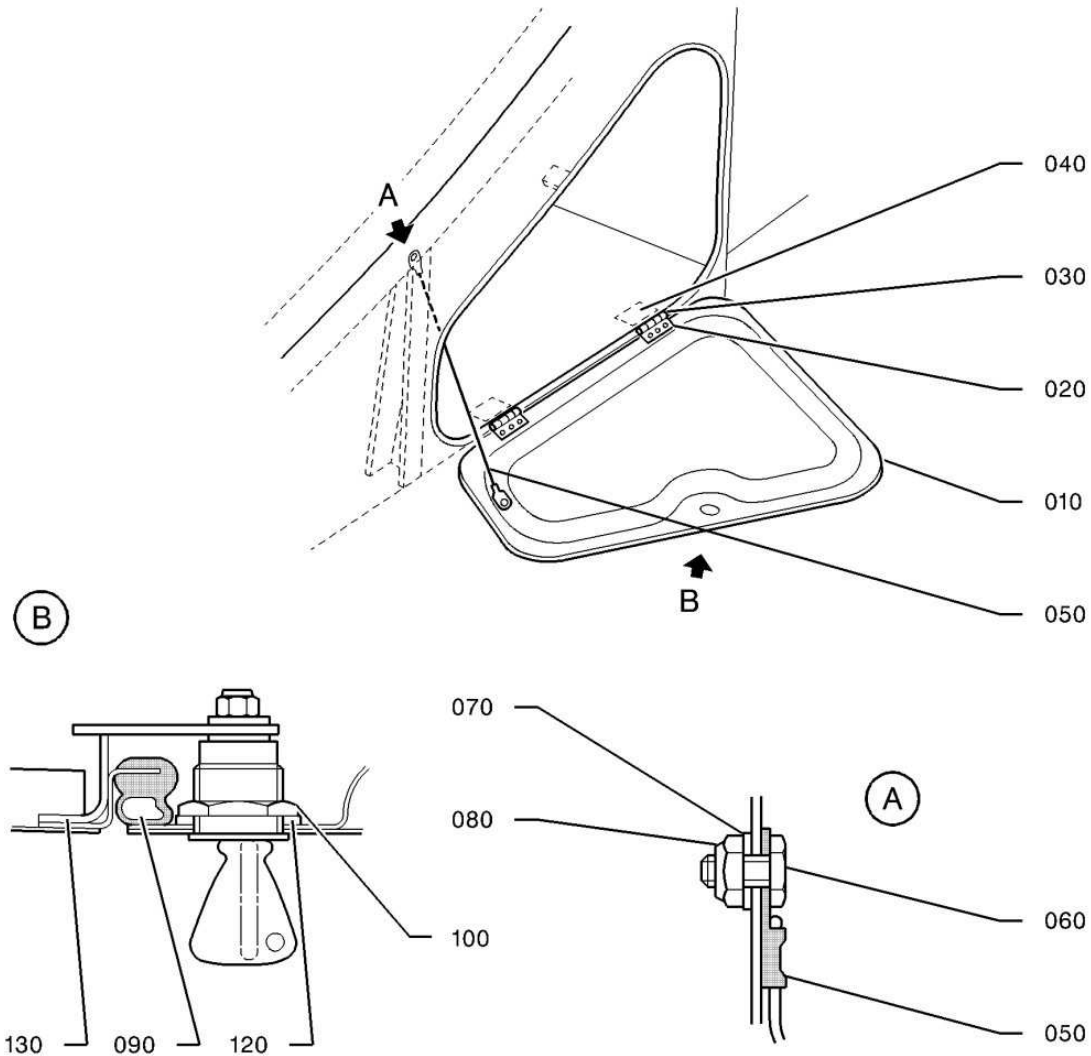
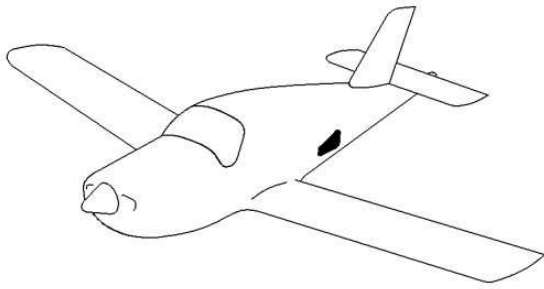
52-30-00

FIG. 1A

PAGE 1

NOV 30/18

S/N 731 - 1421, 1425, 1436, 1437, 1441, 1454, 1455, 1464 - 1466



14523000AAAAYZ4301

BAGGAGE COMPARTMENT DOOR
FIGURE 1B

52-30-00

FIG. 1B
PAGE 0 R

NOV 30/18
S/N 1422 - 1424, 1426 - 1435, 1438 - 1440, 1442 - 1453, 1456 - 1463, 1467 - 9999,
PRE-MOD. 151

FIG.ITEM	PART NUMBER	NOMENCLATURE	EFFECT FROM TO	UNITS	OBS
				PER ASSY	
		1234567 			
1B- 1	TB52-30-00-01B-001	BAGGAGE COMPARTMENT DOOR		RF	
10	TB10 25007002	.DOOR STRUCTURE RPLD BY TB10 25007003		1	R
- 10A	TB10 25007003	.DOOR STRUCTURE RPLS TB10 25007002		1	R
20	TB10 25007103	..HALF-HINGE ORDER IMPERATIVELY HALF-HINGES TB10 25007103 (QTY 2) + HINGE PIN TB10 25007104		4	R
30	TB10 25007104	..HINGE PIN ORDER IMPERATIVELY HALF-HINGES TB10 25007103 (QTY 2) + HINGE PIN TB10 25007104		2	R
40	TB10 25007105	.SHIM		2	
50	TB10 79025001	.DOOR RETAINING STRAP ASSY ATTACHING PARTS		1	
60	5101229075	.BOLT		1	R
70	5701039160	.WASHER OPT TO NFL23111AD040L MADE BY VF0111		1	R
80	5401458159	.NUT OPT TO E25412B40QQVAL MADE BY VF0110 SUPSD BY 5414468159		1	R
- 80A	5414468159	.NUT OPT TO 4PH135M MADE BY VF0224 SUPSDS 5401458159		1	R
90	4241491604	.DOOR SEAL LENGTH : 72.84 IN (1.85 M) SUPSD BY 4248600195		1	R
- 90A	4248600195	.DOOR SEAL OPT TO NCPR0195 MADE BY VF3944 SUPSDS 4241491604		1	R
100	7768011361	.SET OF 3 "KESO" LOCKS		1	OR
110	OPT10 917100	.DELETED			R
120	TB10 25021105	.STOP		1	
130	TB10 25021104	.ANGLE BRACKET		1	

- ITEM NOT ILLUSTRATED

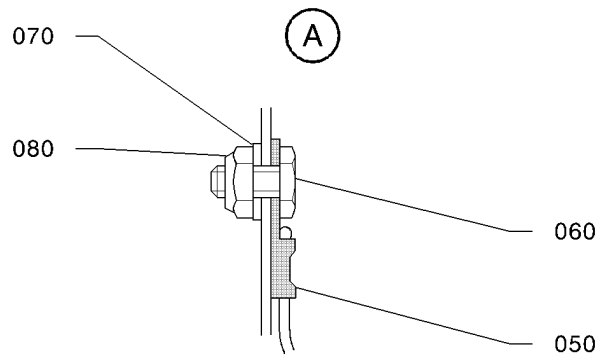
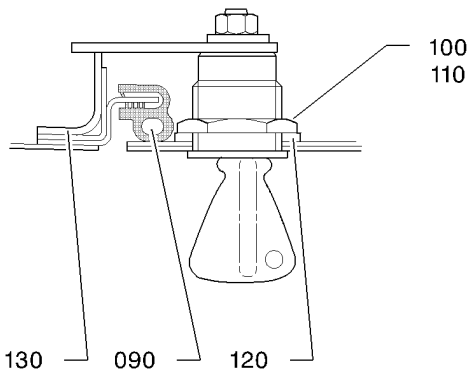
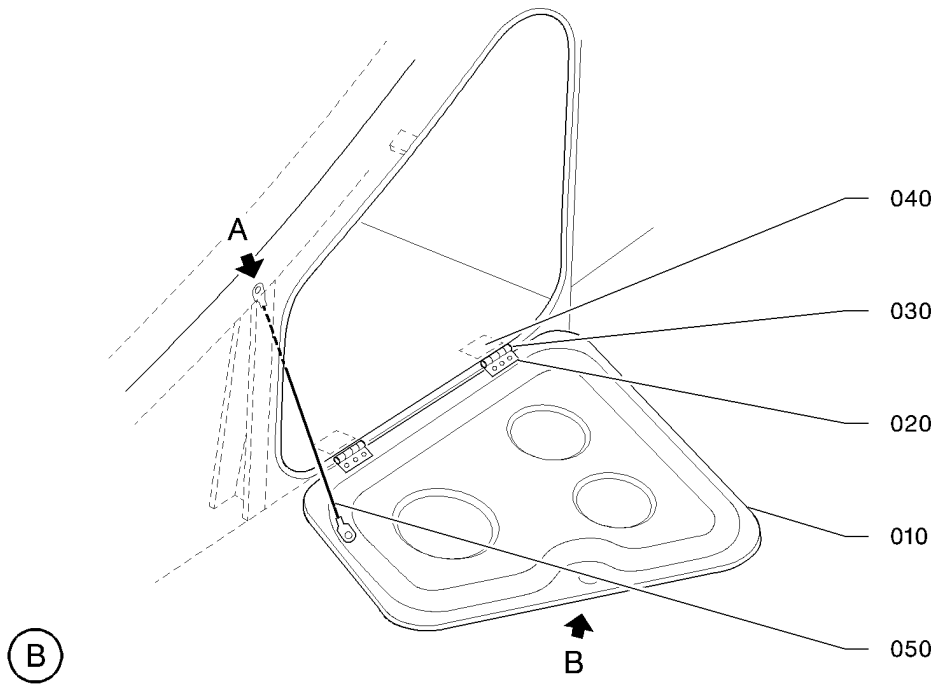
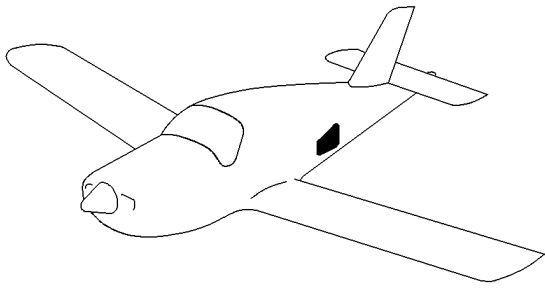
52-30-00

FIG. 1B

PAGE 1

NOV 30/18

S/N 1422 - 1424, 1426 - 1435, 1438 - 1440, 1442 - 1453, 1456 - 1463, 1467 - 9999,
PRE-MOD. 151



14523000AAAAYZ4400

BAGGAGE COMPARTMENT DOOR
FIGURE 1C

52-30-00

FIG. 1C

PAGE 0 R

NOV 30/18

FIG.ITEM	PART NUMBER	NOMENCLATURE	EFFECT FROM TO	UNITS PER ASSY	OBS
		1234567 			
1C- 1	TB52-30-00-01C-001	BAGGAGE COMPARTMENT DOOR		RF	
10	TB10 2508800001	.DOOR STRUCTURE		1	
20	TB10 25007103	..HALF-HINGE ORDER IMPERATIVELY HALF-HINGES TB10 25007103 (QTY 2) + HINGE PIN TB10 25007104		4	R
30	TB10 25007104	..HINGE PIN ORDER IMPERATIVELY HALF-HINGES TB10 25007103 (QTY 2) + HINGE PIN TB10 25007104		2	R
40	TB10 25007105	.SHIM		2	
50	TB10 79025001	.DOOR RETAINING STRAP ASSY ATTACHING PARTS		1	
60	5101229075	.BOLT		1	R
70	5701039160	.WASHER OPT TO NFL23111AD040L MADE BY VF0111		1	R
80	5401458159	.NUT OPT TO E25412B40QQVAL MADE BY VF0110 SUPSD BY 5414468159		1	R
- 80A	5414468159	.NUT OPT TO 4PH135M MADE BY VF0224 SUPSDS 5401458159 * * *		1	R
90	4241491604	.DOOR SEAL LENGTH : 72.84 IN (1.85 M) SUPSD BY 4248600195		1	R
- 90A	4248600195	.DOOR SEAL OPT TO NCPR0195 MADE BY VF3944 SUPSDS 4241491604		1	R
100	7768011361	.SET OF 3 "KESO" LOCKS		1	OR
110	OPT10 917100	.KESO LOCK INSTALLATION KIT S/N 146 - 1421		1	R
120	TB10 25021105	.STOP		1	
130	TB10 2508810400	.ANGLE BRACKET		1	

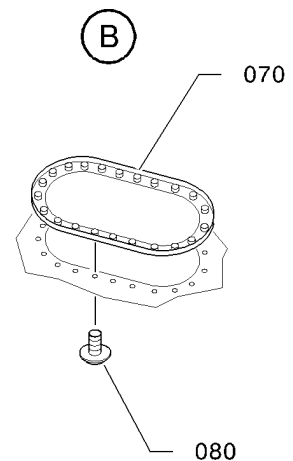
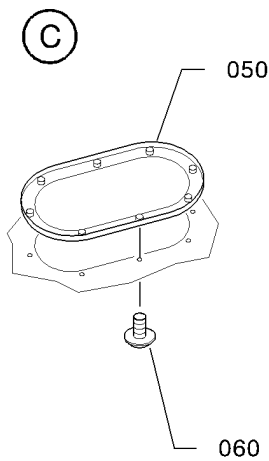
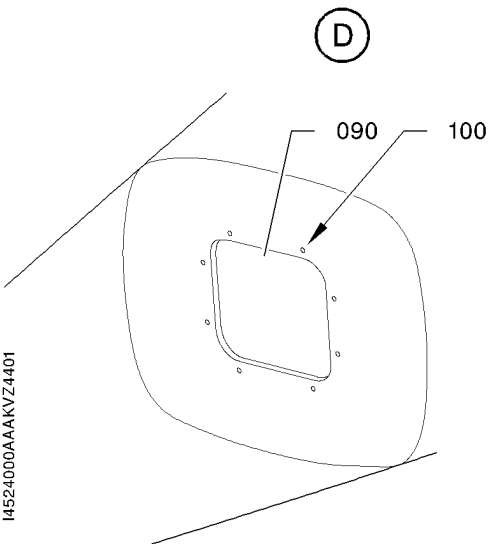
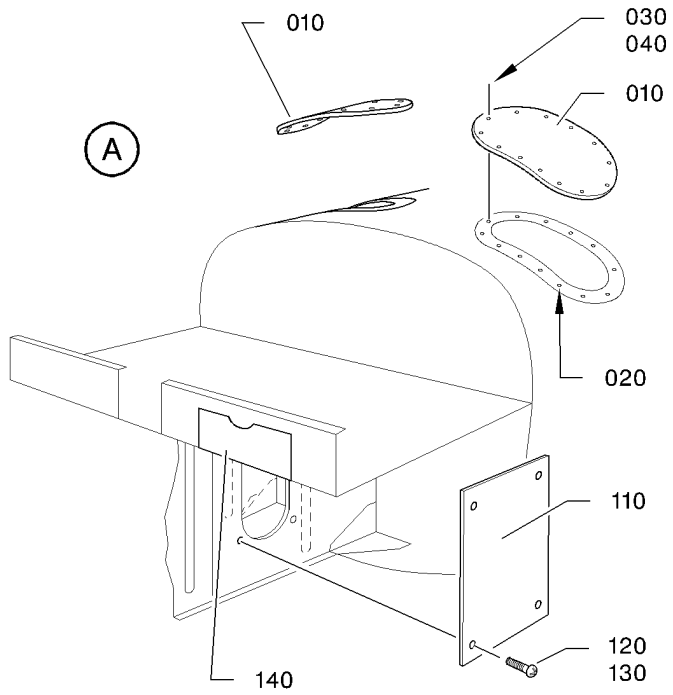
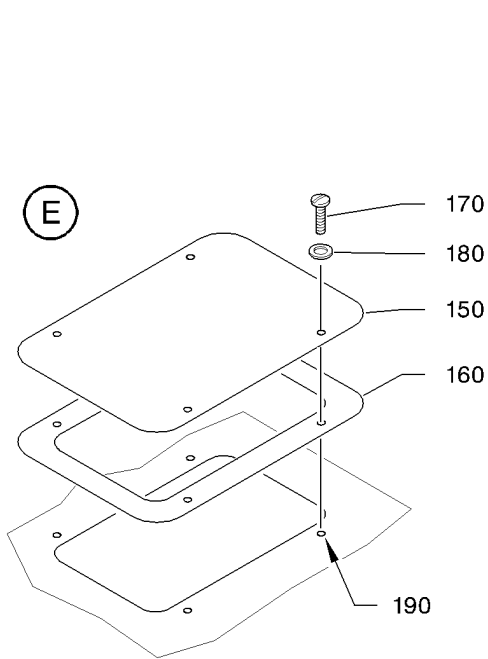
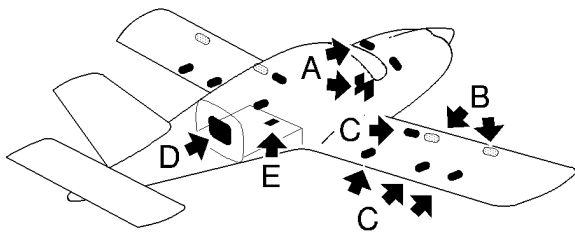
- ITEM NOT ILLUSTRATED

52-30-00

FIG. 1C

PAGE 1

NOV 30/18



INSPECTION DOORS
FIGURE 1

52-40-00

FIG. 1
PAGE 0 R

NOV 30/18

FIG.ITEM	PART NUMBER	1234567 	NOMENCLATURE	EFFECT FROM TO	UNITS PER ASSY	OBS
1 - 1	TF52-40-00-01-001		INSPECTION DOORS		RF	
10	TB10 22035102		.DOOR S/N 480 - 9999 S/N 1 - 479, ORDER KIT OPT10 911700		2	
20	4248582365		.SEAL OPT TO 2365 D=13.9.3 MADE BY VF4070 S/N 480 - 9999 LENGTH : 47.24 IN (1.20 M)		2	R
30	TB10 09094100		ATTACHING PARTS .SCREW S/N 480 - 9999		26	
40	5425218040		.ANCHOR NUT, TWO LUG, FLOATING OPT TO 4SF5009M MADE BY VF0224 S/N 480 - 9999		26	R
50	TB10 11020000		* * * .DOOR S/N 1 - 300		6	
- 50A	TB10 11020000		.DOOR S/N 301 - 9999		8	
60	5169911072		.SCREW S/N 1 - 300		48	
- 60A	5169911072		.SCREW S/N 301 - 9999		64	
70	TB10 11020002		.SEALED DOOR S/N 1 - 822, 850 - 887, 889 - 1505 RPLD BY TB10 11033000		4	OR
- 70A	TB10 11033000		.SEALED DOOR S/N 823 - 849, 888, 1506 - 1843 RPLS TB10 11020002 RPLD BY TB10 11033001		4	OR
- 70B	TB10 11033001		.SEALED DOOR PRE-MOD. 162 RPLS TB10 11033000 RPLD BY TB10 1103300200		4	
- 70C	TB10 1103300200		.SEALED DOOR RPLS TB10 11033001 RPLD BY TB10 11033003		4	R
- 70D	TB10 11033003		.SEALED DOOR POST-MOD10-0242-52 RPLS TB10 1103300200		4	R
80	5169911072		.SCREW		96	
90	TB10 74003011		.DOOR WITHOUT LIFE JACKETS OPTION, PRE-MOD. 151		1	R

- ITEM NOT ILLUSTRATED

52-40-00

FIG. 1

PAGE 1

NOV 30/18

S/N 1 - 9999

FIG. ITEM	PART NUMBER	NOMENCLATURE		EFFECT FROM TO	UNITS PER ASSY	OBS
		1234567 				
1 - 90A	TB20 7481500001		.DOOR POST-MOD. 151 ATTACHING PARTS		1	
100	7009680374		.CLIP OPT TO 374 MADE BY VFA870 * * *		8	R
110	TB10 23000125		.CLOSING PLATE RPLD BY TB10 23000135		2	OR
-110A	TB10 23000135		.CLOSING PLATE RPLS TB10 23000125 ATTACHING PARTS		2	
120	5169911078		.SCREW		8	
130	5421218040		.ANCHOR NUT, TWO LUG OPT TO 4SR1009M MADE BY VF0224 * * *		8	R
140	TB10 74061203		.DOOR S/N 1 - 247 BLUE		1	
-140A	TB10 74061303		.DOOR S/N 1 - 274 BROWN		1	
150	TB20 6128910000		.DOOR COVER POST-MOD. 151		1	
160	TB20 4701310700		.SEAL POST-MOD. 151 ATTACHING PARTS		1	
170	5169902072		.SCREW POST-MOD. 151		4	
180	5701039160		.WASHER OPT TO NFL23111AD040L MADE BY VF0111 POST-MOD. 151		4	R
190	5421465159		.ANCHOR NUT, TWO LUG OPT TO 4G109M MADE BY VF0224 POST-MOD. 151 * * *		4	R

- ITEM NOT ILLUSTRATED

52-40-00

FIG. 1

PAGE 2

NOV 30/18

S/N 1 - 9999