

**56**

**WINDOWS**



CHAPTER 56  
WINDOWS  
LIST OF EFFECTIVE PAGES

CH-SECT	UNIT-FIG	PAGE	DATE	CH-SECT	UNIT-FIG	PAGE	DATE
LEP		1 *	NOV 30/18				
LEP		2 *	NOV 30/18				
TOC		1 *	NOV 30/18				
TOC		2 *	NOV 30/18				
TOC		3 *	NOV 30/18				
TOC		4 *	NOV 30/18				
TOC		5 *	NOV 30/18				
56-00-00	1	0 *	NOV 30/18				
56-00-00	1	1 *	NOV 30/18				
56-10-00	1	0 *	NOV 30/18				
56-10-00	1	1 *	NOV 30/18				
56-10-00	1A	0 *	NOV 30/18				
56-10-00	1A	1 *	NOV 30/18				
56-20-00	1	0 *	NOV 30/18				
56-20-00	1	1 *	NOV 30/18				
56-20-00	1A	0 *	NOV 30/18				
56-20-00	1A	1 *	NOV 30/18				
56-20-00	1A	2 *	NOV 30/18				
56-20-00	1A	3 *	NOV 30/18				
56-30-00	1	0 *	NOV 30/18				
56-30-00	1	1 *	NOV 30/18				
56-30-00	1	2 *	NOV 30/18				
56-30-00	1	3 *	NOV 30/18				
56-30-00	1A	0 *	NOV 30/18				
56-30-00	1A	1 *	NOV 30/18				
56-30-00	1A	2 *	NOV 30/18				

\* THE ASTERISK INDICATES PAGES CHANGED, ADDED OR DELETED

**56 - LIST OF EFFECTIVE PAGES**

PAGE INTENTIONALLY BLANK

**56 - LIST OF EFFECTIVE PAGES**

PAGE 2

NOV 30/18

CHAPTER 56  
WINDOWS  
TABLE OF CONTENTS

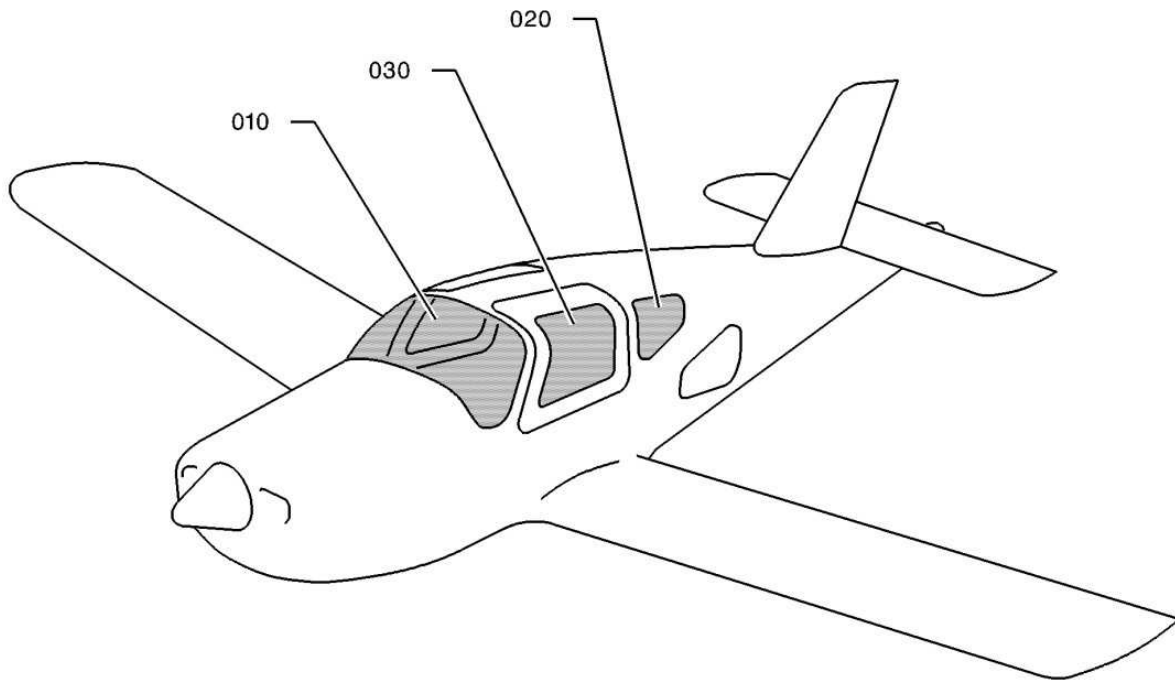
SUBJECT	CHAPTER SECTION SUBJECT	FIG. SUBJECT	VALIDITY
WINDOWS	56-00		
WINDOWS	56-00-00	1	S/N 1 - 9999

SUBJECT	CHAPTER SECTION SUBJECT	FIG.	VALIDITY
WINDSHIELD	56-10		
WINDSHIELD	56-10-00	1	S/N 1 - 9999 PRE-MOD. 151
WINDSHIELD	56-10-00	1A	S/N 1 - 9999 POST-MOD. 151

SUBJECT	CHAPTER SECTION SUBJECT	FIG.	VALIDITY
PASSENGERS	56-20		
PASSENGERS	56-20-00	1	S/N 1 - 9999 PRE-MOD. 151
PASSENGERS	56-20-00	1A	S/N 1 - 9999 POST-MOD. 151

SUBJECT	CHAPTER SECTION SUBJECT	FIG.	VALIDITY
DOORS	56-30		
DOORS	56-30-00	1	S/N 1 - 9999 PRE-MOD. 151
DOORS	56-30-00	1A	S/N 1 - 9999 POST-MOD. 151

PAGE INTENTIONALLY BLANK



I4560000AAAABYZ4300

WINDOWS  
FIGURE 1

**56-00-00**

FIG. 1  
PAGE 0 R

NOV 30/18

FIG.ITEM	PART NUMBER	NOMENCLATURE	EFFECT FROM TO	UNITS PER ASSY	OBS
1 - 1 10 20 30	TB56-00-00-01-001 TB56-10-00-01 TB56-20-00-01 TB56-30-00-01	1234567       WINDOWS .WINDSHIELD .PASSENGERS .DOORS		RF 1 1 1	

- ITEM NOT ILLUSTRATED

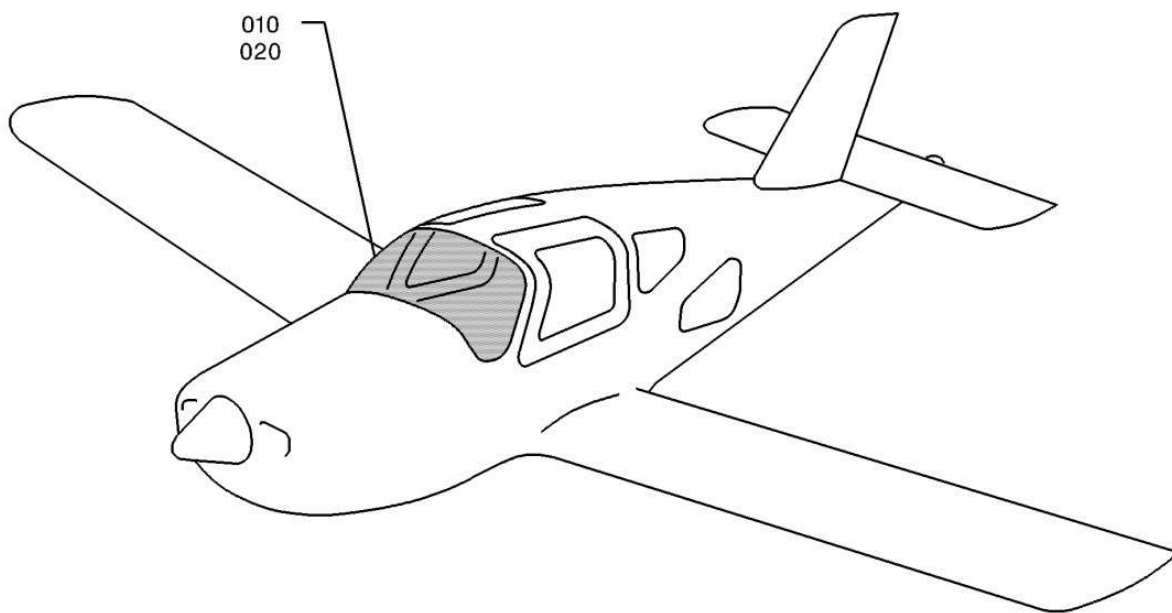
**56-00-00**

FIG. 1

PAGE 1 R

NOV 30/18

S/N 1 - 9999



010  
020

14560000AAABYZ4501

WINDSHIELD  
FIGURE 1

**56-10-00**

FIG. 1  
PAGE 0 R

NOV 30/18

FIG.ITEM	PART NUMBER	1234567 	NOMENCLATURE	EFFECT FROM TO	UNITS PER ASSY	OBS
1 - 1	TB56-10-00-01-001		WINDSHIELD		RF	
10	TB10 24030100		.WINDSHIELD S/N 1 - 663, 666 - 704, 707, 709, 713		1	NP R
- 10A	TB21 2400110000		.WINDSHIELD, NOT DRILLED S/N 664, 665, 705, 706, 708, 710 - 712, 714 - 1581 IN CASE OF FIRST INSTALLATION WITH SCREWS, REFER TO SL10-045-56 RPLD BY TB21 2400111651		1	R
20	TB10 24030101		.TINTED WINDSHIELD S/N 1 - 663, 666 - 704, 707, 709, 713 IN CASE OF FIRST INSTALLATION WITH SCREWS, REFER TO SL10-045-56		1	NP R
- 20A	TB21 2400110100		.TINTED WINDSHIELD, NOT DRILLED S/N 664, 665, 705, 706, 708, 710 - 712, 714 - 1581 IN CASE OF FIRST INSTALLATION WITH SCREWS, REFER TO SL10-045-56 RPLD BY TB21 2400111651		1	R
- 20B	TB21 2200013700		.TINTED WINDSHIELD, PRE-DRILLED S/N 1582 - 9999 IN CASE OF FIRST INSTALLATION WITH SCREWS, REFER TO SL10-045-56 RPLD BY TB21 2400111651		1	R
- 20C	TB21 2400111651		.TINTED WINDSHIELD, NOT DRILLED IN CASE OF FIRST INSTALLATION WITH SCREWS, REFER TO SL10-045-56 IN CASE OF FIRST INSTALLATION OF THIS P/N, ORDER KIT OPT10 9300-00 RPLS TB21 2400110000, TB21 2400110100 AND TB21 2200013700		1	R
- 30	5535345506		ATTACHING PARTS .RIVET WITHOUT KIT OPT10 921500 * * *		42	
40	TB10 09071100		.DELETED			R
40A	TB10 09071102		.DELETED			R
50	5169902086		.DELETED			R

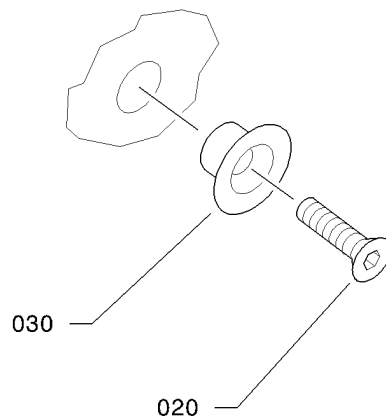
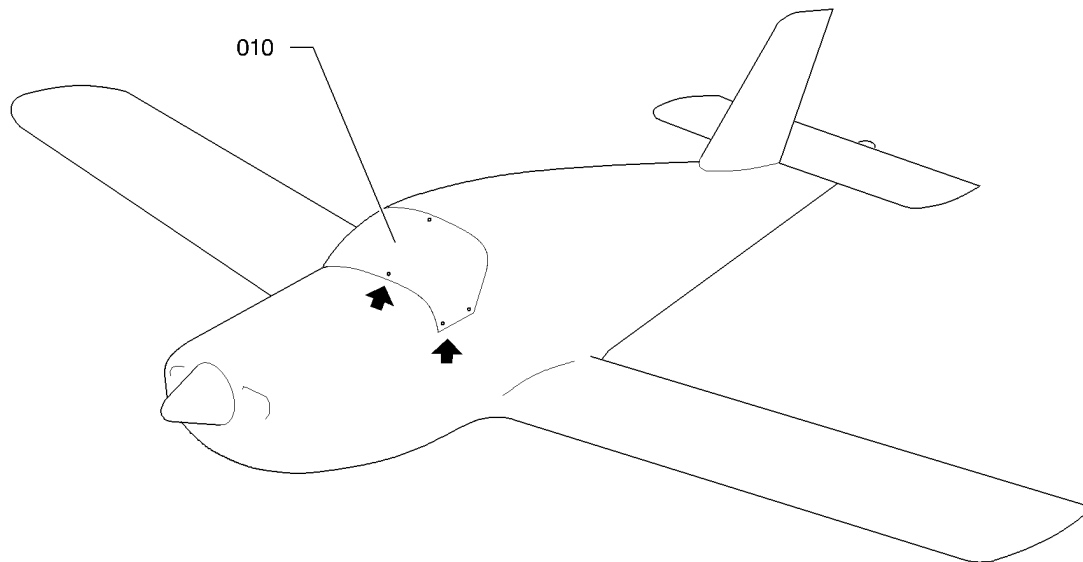
- ITEM NOT ILLUSTRATED

**56-10-00**

FIG. 1

PAGE 1

NOV 30/18



14560000AAABYZ24501

WINDSHIELD  
FIGURE 1A

**56-10-00**

FIG. 1A

PAGE 0 R

NOV 30/18

FIG. ITEM	PART NUMBER	1234567 	NOMENCLATURE	EFFECT FROM TO	UNITS PER ASSY	OBS
1A- 1	TB56-10-00-01A-001		WINDSHIELD		RF	
10	TB10 2400010000		.WINDSHIELD PRE-MOD. 190 RPLD BY TB10 2400010100		1	OR
- 10A	TB10 2400010100		.WINDSHIELD POST-MOD. 190 RPLS TB10 2400010000		1	
20	5143913084		ATTACHING PARTS .SCREW VARIANT MATCH 5143913084 WITH TB10 0907310200		6	
- 20A	TB10 09094100		.SCREW VARIANT MATCH TB10 09094100 WITH 5735172160 OR TB10 0907310300		6	
- 20B	5150745082		.SCREW VARIANT MATCH 5150745082 WITH TB10 0907310300 OR TB10 0907310500		6	
30	TB10 0907310200		.SHOULDERED WASHER VARIANT MATCH 5143913084 WITH TB10 0907310200 RPLD BY TB10 0907310300		6	NP
- 30A	5735172160		.CUP WASHER VARIANT MATCH TB10 09094100 WITH 5735172160 OR TB10 0907310300		6	
- 30B	TB10 0907310300		.SHOULDERED WASHER VARIANT MATCH TB10 09094100 WITH 5735172160 OR TB10 0907310300 RPLS TB10 0907310200		6	
- 30C	TB10 0907310500		.SHOULDERED WASHER VARIANT MATCH 5150745082 WITH TB10 0907310300 OR TB10 0907310500		6	
- 40	T700A5610000128		* * * .RUBBER BUMPER		20	

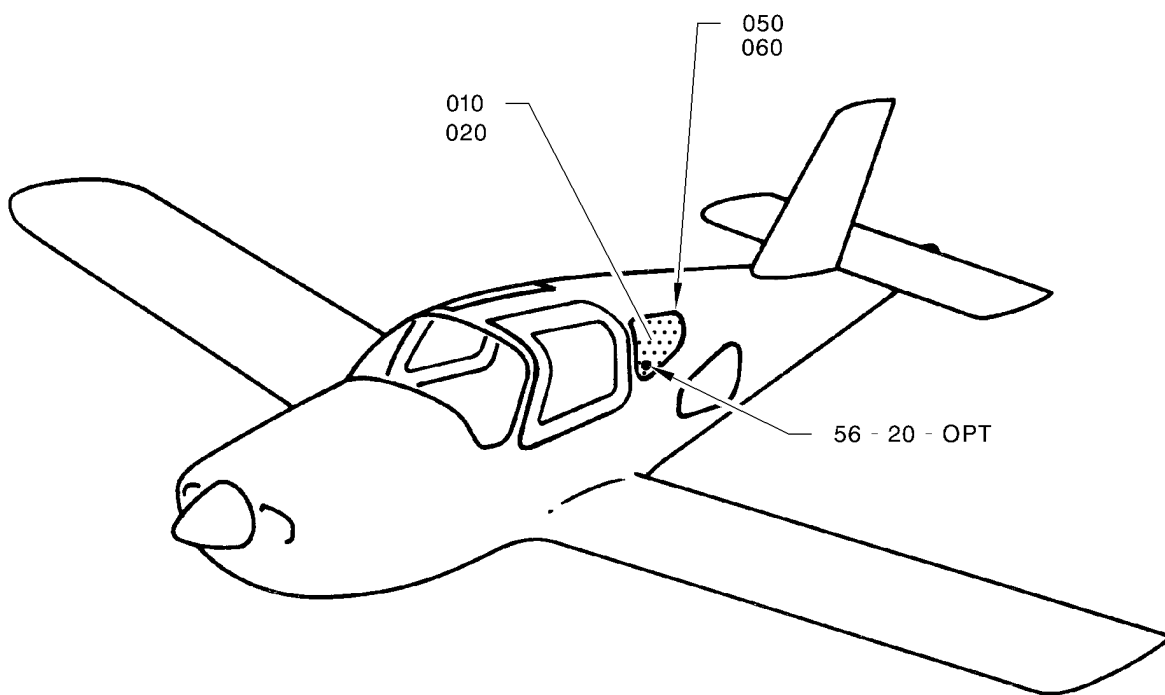
- ITEM NOT ILLUSTRATED

**56-10-00**

FIG. 1A

PAGE 1 R

NOV 30/18



I456000AAA BYZ14301

PASSENGERS  
FIGURE 1

**56-20-00**

FIG. 1

PAGE 0 R

NOV 30/18

FIG.ITEM	PART NUMBER	1234567 	NOMENCLATURE	EFFECT FROM TO	UNITS PER ASSY	OBS
1 - 1	TB56-20-00-01-001		PASSENGERS		RF	
10	TB10 22030100		.L.H. REAR TRANSPARENT PANEL		1	
20	TB10 22030102		.L.H. TINTED REAR TRANSPARENT PANEL		1	
- 30	TB10 22030101		.R.H. REAR TRANSPARENT PANEL		1	
- 40	TB10 22030103		.R.H.TINTED REAR TRANSPARENT PANEL		1	
50	4247755635		.WINDOW SEAL		2	
60	4247750682		.WINDOW SEAL		2	

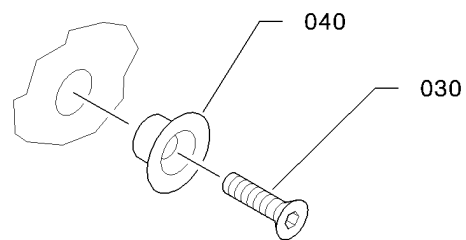
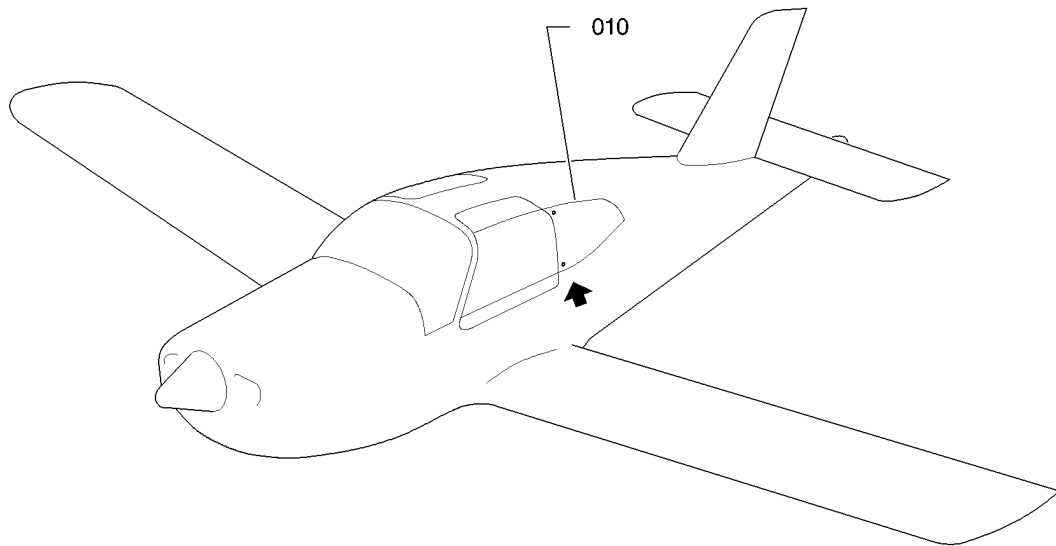
- ITEM NOT ILLUSTRATED

**56-20-00**

FIG. 1

PAGE 1 R

NOV 30/18



I4562000AAAAAWZ4401

PASSENGERS  
FIGURE 1A

**56-20-00**

FIG. 1A

PAGE 0 R

NOV 30/18

FIG. ITEM	PART NUMBER	1234567 	NOMENCLATURE	EFFECT FROM TO	UNITS PER ASSY	OBS
1A- 1	TB56-20-00-01A-001		PASSENGERS		RF	
10	TB10 2400010400		.L.H. REAR TRANSPARENT PANEL PRE-MOD. 192 RPLD BY TB10 2400011100		1	OR
- 10A	TB10 2400011100		.L.H. REAR TRANSPARENT PANEL POST-MOD. 192 RPLS TB10 2400010400 RPLD BY TB10 2400011500		1	
- 10B	TB10 2400011500		.L.H. REAR TRANSPARENT PANEL POST-MOD. 192 RPLS TB10 2400011100		1	
- 20	TB10 2400010500		.R.H. REAR TRANSPARENT PANEL PRE-MOD. 192 RPLD BY TB10 2400011200		1	OR
- 20A	TB10 2400011200		.R.H. REAR TRANSPARENT PANEL POST-MOD. 192 RPLS TB10 2400010500 RPLD BY TB10 2400011600		1	
- 20B	TB10 2400011600		.R.H. REAR TRANSPARENT PANEL POST-MOD. 192 RPLS TB10 2400011200		1	
30	5143913079		ATTACHING PARTS .SCREW VARIANT MATCH 5143913079 WITH TB10 0907310000 SUPSD BY TB10 09094100		4	NP R
- 30A	TB10 09094100		.SCREW VARIANT MATCH TB10 09094100 WITH TB10 0907310100 SUPSDS 5143913079		4	R
- 30B	5150745078		.SCREW VARIANT MATCH 5150745078 WITH TB10 0907310100 OR TB10 0907310400		4	
40	TB10 0907310000		.SHOULDERED WASHER VARIANT MATCH 5143913079 WITH TB10 0907310000 SUPSD BY TB10 0907310100		4	NP R
- 40A	TB10 0907310100		.SHOULDERED WASHER VARIANT MATCH TB10 09094100 WITH TB10 0907310100 SUPSDS TB10 0907310000		4	R

- ITEM NOT ILLUSTRATED

**56-20-00**

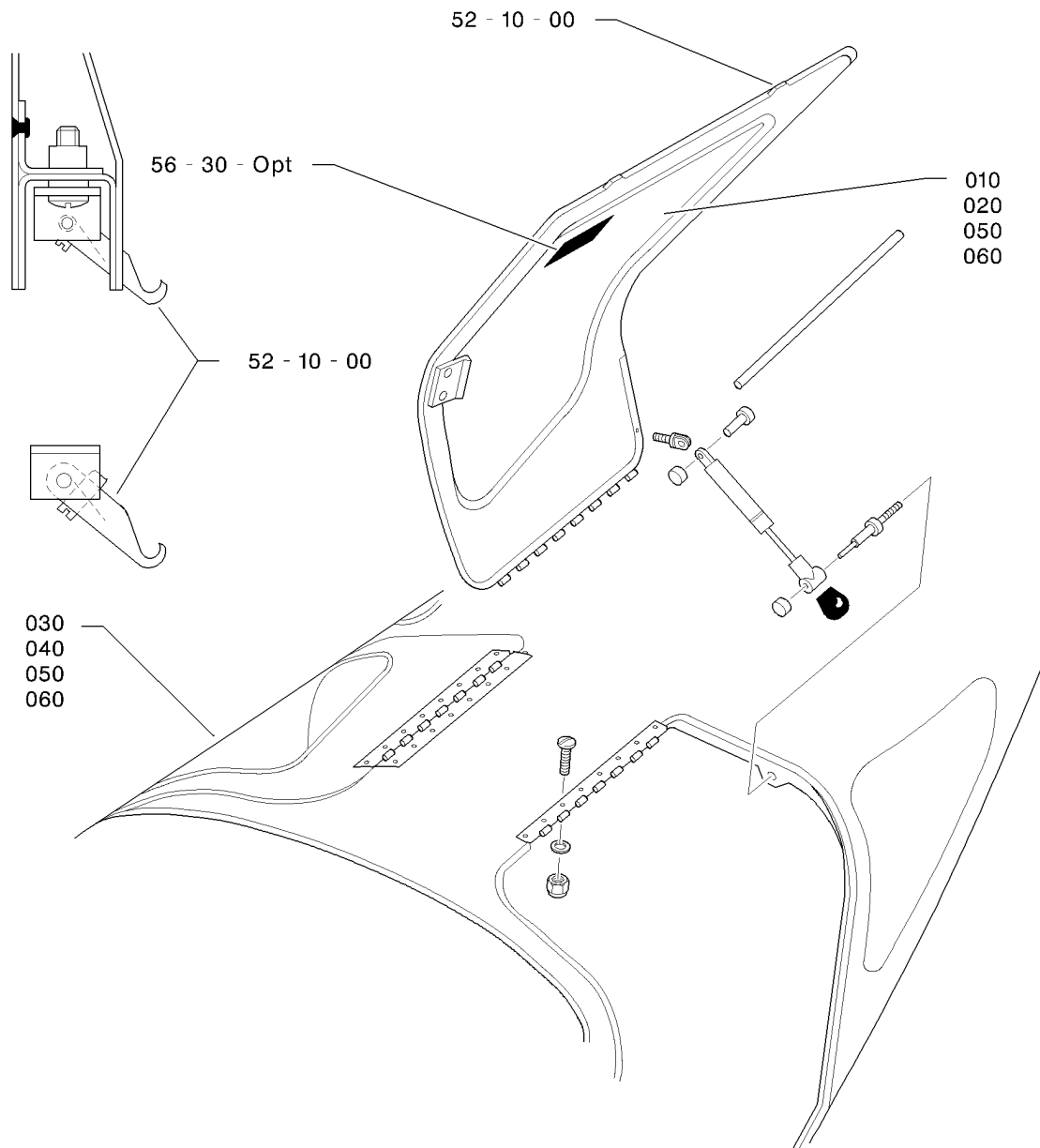
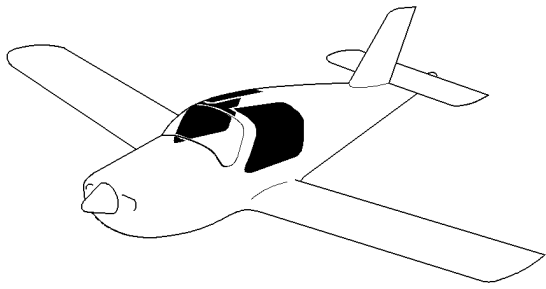
FIG. 1A

PAGE 1

NOV 30/18



PAGE INTENTIONALLY BLANK



14521000AAAFYZ4401

DOORS  
FIGURE 1

**56-30-00**

FIG. 1  
PAGE 0 R  
NOV 30/18

FIG.ITEM	PART NUMBER	NOMENCLATURE		EFFECT FROM TO	UNITS PER ASSY	OBS
		1234567 				
1 - 1	TF56-30-00-01-001		DOORS		RF	
10	TB10 25030100		.L.H. TRANSPARENT PANEL S/N 1 - 274 MENTION ON YOUR PURCHASE ORDER IF THE DOOR TRANSPARENT PANEL IS TINTED OR NOT, AND IF THIS TRANSPARENT PANEL IS CONSTITUTED OR NOT WITH THE LITTLE WINDOW (SEE OPTION) RPLD BY TB10 25030106		1	NP
- 10A	TB10 25030106		.L.H. TRANSPARENT PANEL MENTION ON YOUR PURCHASE ORDER IF THE DOOR TRANSPARENT PANEL IS TINTED OR NOT, AND IF THIS TRANSPARENT PANEL IS CONSTITUTED OR NOT WITH THE LITTLE WINDOW (SEE OPTION) RPLS TB10 25030100		1	
- 10B	TB10 2503010651		.L.H. TRANSPARENT PANEL PROVIDED WITH HOLES AND CONTOUR FOR LITTLE WINDOW INSTALLATION		1	
20	TB10 25030102		.L.H. TINTED TRANSPARENT PANEL S/N 1 - 274 MENTION ON YOUR PURCHASE ORDER IF THE DOOR TRANSPARENT PANEL IS TINTED OR NOT, AND IF THIS TRANSPARENT PANEL IS CONSTITUTED OR NOT WITH THE LITTLE WINDOW (SEE OPTION) RPLD BY TB10 25030108		1	NP
- 20A	TB10 25030108		.L.H. TINTED TRANSPARENT PANEL MENTION ON YOUR PURCHASE ORDER IF THE DOOR TRANSPARENT PANEL IS TINTED OR NOT, AND IF THIS TRANSPARENT PANEL IS CONSTITUTED OR NOT WITH THE LITTLE WINDOW (SEE OPTION) RPLS TB10 25030102		1	
- 20B	TB10 2503010851		.L.H. TINTED TRANSPARENT PANEL PROVIDED WITH HOLES AND CONTOUR FOR LITTLE WINDOW INSTALLATION		1	

- ITEM NOT ILLUSTRATED

**56-30-00**

FIG. 1

PAGE 1 R

NOV 30/18

FIG. ITEM	PART NUMBER	NOMENCLATURE	EFFECT FROM TO	UNITS PER ASSY	OBS
		1234567 			
1 30	TB10 25030101	.R.H. TRANSPARENT PANEL S/N 1 - 274 MENTION ON YOUR PURCHASE ORDER IF THE DOOR TRANSPARENT PANEL IS TINTED OR NOT, AND IF THIS TRANSPARENT PANEL IS CONSTITUTED OR NOT WITH THE LITTLE WINDOW (SEE OPTION) RPLD BY TB10 25030107		1	NP
- 30A	TB10 25030107	.R.H. TRANSPARENT PANEL MENTION ON YOUR PURCHASE ORDER IF THE DOOR TRANSPARENT PANEL IS TINTED OR NOT, AND IF THIS TRANSPARENT PANEL IS CONSTITUTED OR NOT WITH THE LITTLE WINDOW (SEE OPTION) RPLS TB10 25030101		1	
- 30B	TB10 2503010751	.R.H. TRANSPARENT PANEL PROVIDED WITH HOLES AND CONTOUR FOR LITTLE WINDOW INSTALLATION		1	
40	TB10 25030103	.R.H. TINTED TRANSPARENT PANEL S/N 1 - 274 MENTION ON YOUR PURCHASE ORDER IF THE DOOR TRANSPARENT PANEL IS TINTED OR NOT, AND IF THIS TRANSPARENT PANEL IS CONSTITUTED OR NOT WITH THE LITTLE WINDOW (SEE OPTION) RPLD BY TB10 25030109		1	NP
- 40A	TB10 25030109	.R.H. TINTED TRANSPARENT PANEL MENTION ON YOUR PURCHASE ORDER IF THE DOOR TRANSPARENT PANEL IS TINTED OR NOT, AND IF THIS TRANSPARENT PANEL IS CONSTITUTED OR NOT WITH THE LITTLE WINDOW (SEE OPTION) RPLS TB10 25030103		1	
- 40B	TB10 2503010951	.R.H. TINTED TRANSPARENT PANEL PROVIDED WITH HOLES AND CONTOUR FOR LITTLE WINDOW INSTALLATION ATTACHING PARTS		1	
50	5535342506	.RIVET S/N 1 - 764, 766 - 878		38	

- ITEM NOT ILLUSTRATED

**56-30-00**

FIG. 1

PAGE 2 R

NOV 30/18

FIG.ITEM	PART NUMBER	NOMENCLATURE	EFFECT FROM TO	UNITS PER ASSY	OBS
1 60	5706054160	1234567       .WASHER OPT TO 23116AG040LE MADE BY VF0111 S/N 1 - 764, 766 - 878 * * *		38	R

- ITEM NOT ILLUSTRATED

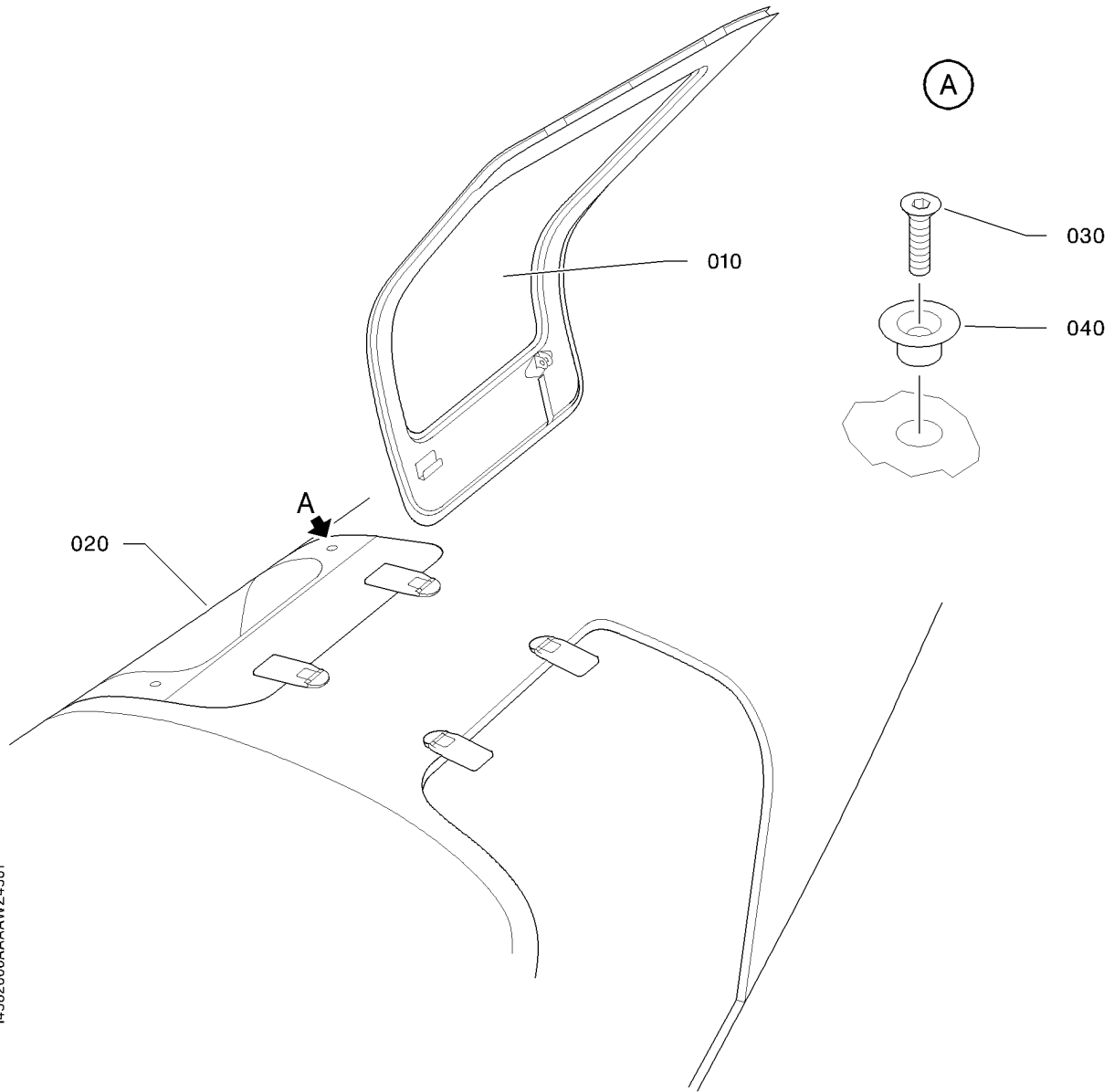
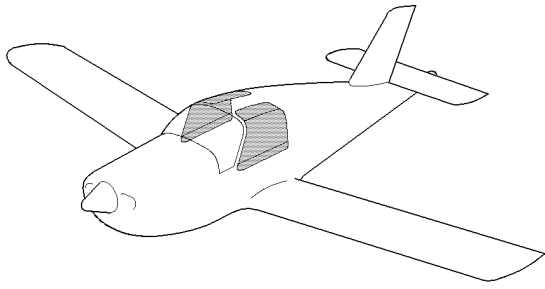
**56-30-00**

FIG. 1

PAGE 3

NOV 30/18

S/N 1 - 9999 PRE-MOD. 151



I4562000AAAAWZ4501

DOORS  
FIGURE 1A

**56-30-00**

FIG. 1A  
PAGE 0 R  
NOV 30/18

FIG. ITEM	PART NUMBER	1234567 	NOMENCLATURE	EFFECT FROM TO	UNITS PER ASSY	OBS
1A- 1	TB56-30-00-01A-001		DOORS		RF	
10	TB10 2400010200		.L.H. TRANSPARENT PANEL PRE-MOD. 192 RPLD BY TB10 2400010900		1	OR
- 10A	TB10 2400010900		.L.H. TRANSPARENT PANEL POST-MOD. 192 RPLS TB10 2400010200 RPLD BY TB10 2400011300		1	
- 10B	TB10 2400011300		.L.H. TRANSPARENT PANEL POST-MOD. 192 RPLS TB10 2400010900		1	
20	TB10 2400010300		.R.H. TRANSPARENT PANEL PRE-MOD. 192 RPLD BY TB10 2400011000		1	OR
- 20A	TB10 2400011000		.R.H. TRANSPARENT PANEL POST-MOD. 192 RPLS TB10 2400010300 RPLD BY TB10 2400011400		1	
- 20B	TB10 2400011400		.R.H. TRANSPARENT PANEL POST-MOD. 192 RPLS TB10 2400011000		1	
30	5143913079		ATTACHING PARTS .SCREW MATCH 5143913079 WITH TB10 0907310000 RPLD BY TB10 09094100		8	NP
- 30A	TB10 09094100		.SCREW VARIANT MATCH TB10 09094100 WITH TB10 0907310100 RPLS 5143913079		8	
- 30B	5150745078		.SCREW VARIANT		8	
40	TB10 0907310000		.SHOULDERED WASHER MATCH 5143913079 WITH TB10 0907310000 RPLD BY TB10 0907310100		8	NP
- 40A	TB10 0907310100		.SHOULDERED WASHER MATCH TB10 09094100 WITH TB10 0907310100 RPLS TB10 0907310000 RPLD BY TB10 0907310400		8	
- 40B	TB10 0907310400		.SHOULDERED WASHER RPLS TB10 0907310100		8	
- 50	T700A5610000128		* * * .RUBBER BUMPER		AR	

- ITEM NOT ILLUSTRATED

**56-30-00**

FIG. 1A

PAGE 1 R

NOV 30/18

PAGE INTENTIONALLY BLANK