

MODELS TB

57

WINGS

CHAPTER 57
WINGS

LIST OF EFFECTIVE PAGES

CH-SECT	UNIT-FIG	PAGE	DATE	CH-SECT	UNIT-FIG	PAGE	DATE
LEP		1 *	NOV 30/18	57-20-00	1F	0 *	NOV 30/18
LEP		2 *	NOV 30/18	57-20-00	1F	1 *	NOV 30/18
TOC		1 *	NOV 30/18	57-20-00	1G	0 *	NOV 30/18
TOC		2 *	NOV 30/18	57-20-00	1G	1 *	NOV 30/18
TOC		3 *	NOV 30/18	57-20-00	1G	2 *	NOV 30/18
TOC		4 *	NOV 30/18	57-20-00	1G	3 *	NOV 30/18
TOC		5 *	NOV 30/18	57-20-00	1H	0 *	NOV 30/18
TOC		6 *	NOV 30/18	57-20-00	1H	1 *	NOV 30/18
TOC		7 *	NOV 30/18	57-20-00	1J	0 *	NOV 30/18
TOC		8 *	NOV 30/18	57-20-00	1J	1 *	NOV 30/18
TOC		9 *	NOV 30/18	57-20-00	1N	0 *	NOV 30/18
TOC		10 *	NOV 30/18	57-20-00	1N	1 *	NOV 30/18
TOC		11 *	NOV 30/18	57-20-00	2	0 *	NOV 30/18
57-00-00	1	0 *	NOV 30/18	57-20-00	2	1 *	NOV 30/18
57-00-00	1	1 *	NOV 30/18	57-20-00	2	2 *	NOV 30/18
57-10-00	1	0 *	NOV 30/18	57-20-00	2	3 *	NOV 30/18
57-10-00	1	1 *	NOV 30/18	57-20-00	2A	0 *	NOV 30/18
57-10-00	1	2 *	NOV 30/18	57-20-00	2A	1 *	NOV 30/18
57-10-00	1	3 *	NOV 30/18	57-20-00	2A	2 *	NOV 30/18
57-10-00	1A	0 *	NOV 30/18	57-20-00	2A	3 *	NOV 30/18
57-10-00	1A	1 *	NOV 30/18	57-20-00	2B	0 *	NOV 30/18
57-10-00	1A	2 *	NOV 30/18	57-20-00	2B	1 *	NOV 30/18
57-10-00	1A	3 *	NOV 30/18	57-20-00	2C	0 *	NOV 30/18
57-20-00	1	0 *	NOV 30/18	57-20-00	2C	1 *	NOV 30/18
57-20-00	1	1 *	NOV 30/18	57-20-00	2D	0 *	NOV 30/18
57-20-00	1	2 *	NOV 30/18	57-20-00	2D	1 *	NOV 30/18
57-20-00	1	3 *	NOV 30/18	57-20-00	2E	0 *	NOV 30/18
57-20-00	1A	0 *	NOV 30/18	57-20-00	2E	1 *	NOV 30/18
57-20-00	1A	1 *	NOV 30/18	57-20-00	2E	2 *	NOV 30/18
57-20-00	1A	2 *	NOV 30/18	57-20-00	2E	3 *	NOV 30/18
57-20-00	1A	3 *	NOV 30/18	57-20-00	2F	0 *	NOV 30/18
57-20-00	1B	0 *	NOV 30/18	57-20-00	2F	1 *	NOV 30/18
57-20-00	1B	1 *	NOV 30/18	57-20-00	2G	0 *	NOV 30/18
57-20-00	1C	0 *	NOV 30/18	57-20-00	2G	1 *	NOV 30/18
57-20-00	1C	1 *	NOV 30/18	57-20-00	2G	2 *	NOV 30/18
57-20-00	1D	0 *	NOV 30/18	57-20-00	2G	3 *	NOV 30/18
57-20-00	1D	1 *	NOV 30/18	57-20-00	2H	0 *	NOV 30/18
57-20-00	1E	0 *	NOV 30/18	57-20-00	2H	1 *	NOV 30/18
57-20-00	1E	1 *	NOV 30/18	57-20-00	2J	0 *	NOV 30/18
57-20-00	1E	2 *	NOV 30/18	57-20-00	2J	1 *	NOV 30/18
57-20-00	1E	3 *	NOV 30/18	57-20-00	2N	0 *	NOV 30/18

* THE ASTERISK INDICATES PAGES CHANGED, ADDED OR DELETED

57 - LIST OF EFFECTIVE PAGES

CH-SECT				CH-SECT			
UNIT-FIG	PAGE		DATE	UNIT-FIG	PAGE		DATE
57-20-00	2N	1 *	NOV 30/18	57-20-02	1C	1 *	NOV 30/18
57-20-01	1	0 *	NOV 30/18	57-20-02	1D	0 *	NOV 30/18
57-20-01	1	1 *	NOV 30/18	57-20-02	1D	1 *	NOV 30/18
57-20-01	1	2 *	NOV 30/18	57-20-02	2	0 *	NOV 30/18
57-20-01	1	3 *	NOV 30/18	57-20-02	2	1 *	NOV 30/18
57-20-01	1A	0 *	NOV 30/18	57-20-02	2A	0 *	NOV 30/18
57-20-01	1A	1 *	NOV 30/18	57-20-02	2A	1 *	NOV 30/18
57-20-01	1B	0 *	NOV 30/18	57-20-02	2B	0 *	NOV 30/18
57-20-01	1B	1 *	NOV 30/18	57-20-02	2B	1 *	NOV 30/18
57-20-01	1C	0 *	NOV 30/18	57-20-02	2C	0 *	NOV 30/18
57-20-01	1C	1 *	NOV 30/18	57-20-02	2C	1 *	NOV 30/18
57-20-01	1D	0 *	NOV 30/18	57-20-02	2D	0 *	NOV 30/18
57-20-01	1D	1 *	NOV 30/18	57-20-02	2D	1 *	NOV 30/18
57-20-01	2	0 *	NOV 30/18	57-20-02	2E	0 *	NOV 30/18
57-20-01	2	1 *	NOV 30/18	57-20-02	2E	1 *	NOV 30/18
57-20-01	2A	0 *	NOV 30/18	57-20-02	3	0 *	NOV 30/18
57-20-01	2A	1 *	NOV 30/18	57-20-02	3	1 *	NOV 30/18
57-20-01	2B	0 *	NOV 30/18	57-20-02	3	2 *	NOV 30/18
57-20-01	2B	1 *	NOV 30/18	57-20-02	3	3 *	NOV 30/18
57-20-01	2C	0 *	NOV 30/18	57-20-02	3A	0 *	NOV 30/18
57-20-01	2C	1 *	NOV 30/18	57-20-02	3A	1 *	NOV 30/18
57-20-01	2D	0 *	NOV 30/18	57-20-02	4	0 *	NOV 30/18
57-20-01	2D	1 *	NOV 30/18	57-20-02	4	1 *	NOV 30/18
57-20-01	2E	0 *	NOV 30/18	57-20-02	4A	0 *	NOV 30/18
57-20-01	2E	1 *	NOV 30/18	57-20-02	4A	1 *	NOV 30/18
57-20-01	3	0 *	NOV 30/18	57-20-03	1	0 *	NOV 30/18
57-20-01	3	1 *	NOV 30/18	57-20-03	1	1 *	NOV 30/18
57-20-01	3	2 *	NOV 30/18	57-30-00	1	0 *	NOV 30/18
57-20-01	3	3 *	NOV 30/18	57-30-00	1	1 *	NOV 30/18
57-20-01	3A	0 *	NOV 30/18	57-30-00	1A	0 *	NOV 30/18
57-20-01	3A	1 *	NOV 30/18	57-30-00	1A	1 *	NOV 30/18
57-20-01	4	0 *	NOV 30/18	57-30-00	1B	0 *	NOV 30/18
57-20-01	4	1 *	NOV 30/18	57-30-00	1B	1 *	NOV 30/18
57-20-01	4A	0 *	NOV 30/18	57-30-00	1C	0 *	NOV 30/18
57-20-01	4A	1 *	NOV 30/18	57-30-00	1C	1 *	NOV 30/18
57-20-01	4B	0 *	NOV 30/18	57-30-00	1C	2 *	NOV 30/18
57-20-01	4B	1 *	NOV 30/18	57-30-00	1C	3 *	NOV 30/18
57-20-02	1	0 *	NOV 30/18	57-30-00	1D	0 *	NOV 30/18
57-20-02	1	1 *	NOV 30/18	57-30-00	1D	1 *	NOV 30/18
57-20-02	1	2 *	NOV 30/18	57-50-00	1	0 *	NOV 30/18
57-20-02	1	3 *	NOV 30/18	57-50-00	1	1 *	NOV 30/18
57-20-02	1A	0 *	NOV 30/18	57-60-00	1	0 *	NOV 30/18
57-20-02	1A	1 *	NOV 30/18	57-60-00	1	1 *	NOV 30/18
57-20-02	1B	0 *	NOV 30/18	57-60-00	1	2 *	NOV 30/18
57-20-02	1B	1 *	NOV 30/18				
57-20-02	1C	0 *	NOV 30/18				

* THE ASTERISK INDICATES PAGES CHANGED, ADDED OR DELETED

57 - LIST OF EFFECTIVE PAGES

PAGE 2

CHAPTER 57
WINGS
TABLE OF CONTENTS

SUBJECT	CHAPTER SECTION SUBJECT	FIG.	VALIDITY
WINGS	57-00		
WINGS	57-00-00	1	S/N 1 - 9999

SUBJECT	CHAPTER SECTION SUBJECT	FIG.	VALIDITY
SPLICING	57-10		
SPLICING	57-10-00	1	S/N 1 - 9999 PRE-MOD. 167
SPLICING	57-10-00	1A	S/N 1 - 9999 POST-MOD. 167

SUBJECT	CHAPTER SECTION FIG. SUBJECT	VALIDITY
WINGS	57-20	
L.H. WING	57-20-00 1	S/N 1 - 425 WITH FUEL TANKS 26.9 U.S. GAL (102 L) FOR TELESCOPIC LEG MLG
L.H. WING	57-20-00 1A	S/N 1 - 425 WITH FUEL TANKS 20.1 U.S. GAL (76 L) FOR TELESCOPIC LEG MLG
L.H. WING	57-20-00 1B	S/N 426 - 764, 766 - 803, 805, 806, 809 - 815, 820 - 822, 850 - 878, WITH FUEL TANKS 26.9 U.S. GAL (102 L) FOR TELESCOPIC LEG MLG
L.H. WING	57-20-00 1C	S/N 426 - 764, 766 - 822, 850 - 878, WITH FUEL TANKS 20.1 U.S. GAL (76 L) FOR TELESCOPIC LEG MLG
L.H. WING	57-20-00 1D	S/N 765, 879 - 887, 889 - 947, WITH FUEL TANKS 20.1 U.S. GAL (76 L), FOR TELESCOPIC LEG MLG
L.H. WING	57-20-00 1E	S/N 823 - 849, 888, 948 - 1842, WITH FUEL TANKS 20.1 U.S. GAL (76 L) FOR TELESCOPIC LEG MLG
L.H. WING	57-20-00 1F	S/N 1843 - 9999 WITH FUEL TANKS 20.1 U.S. GAL (76 L) FOR TELESCOPIC LEG MLG
L.H. WING	57-20-00 1G	WITH FUEL TANKS 20.1 U.S. GAL (76 L), FOR TRAILING ARM MLG, PRE-MOD. 151
L.H. WING	57-20-00 1H	WITH FUEL TANKS 20.1 U.S. GAL (76 L), FOR TRAILING ARM MLG, POST-MOD. 151, PRE-MOD. 140 AND MOD. 152

57 - TABLE OF CONTENTS

PAGE 3

SUBJECT	CHAPTER SECTION FIG. SUBJECT	VALIDITY
L.H. WING	57-20-00 1J	WITH FUEL TANKS 20.1 U.S. GAL (76 L), FOR TRAILING ARM MLG, POST-MOD. 151, MOD. 140, MOD. 152
L.H. WING	57-20-00 1N	WITH FUEL TANKS 20.1 U.S. GAL (76 L), FOR TRAILING ARM MLG, POST-MOD. 151 AND MOD. 140, PRE-MOD. 152
R.H. WING	57-20-00 2	S/N 1 - 425 WITH FUEL TANKS 26.9 U.S. GAL (102 L) FOR TELESCOPIC LEG MLG
R.H. WING	57-20-00 2A	S/N 1 - 425 WITH FUEL TANKS 20.1 U.S. GAL (76 L) FOR TELESCOPIC LEG MLG
R.H. WING	57-20-00 2B	S/N 426 - 764, 766 - 803, 805, 806, 809 - 815, 820 - 822, 850 - 878, WITH FUEL TANKS 26.9 U.S. GAL (102 L) FOR TELESCOPIC LEG MLG
R.H. WING	57-20-00 2C	S/N 426 - 764, 766 - 822, 850 - 878, WITH FUEL TANKS 20.1 U.S. GAL (76 L) FOR TELESCOPIC LEG MLG
R.H. WING	57-20-00 2D	S/N 765, 879 - 887, 889 - 947, WITH FUEL TANKS 20.1 U.S. GAL (76 L), FOR TELESCOPIC LEG MLG
R.H. WING	57-20-00 2E	S/N 823 - 849, 888, 948 - 1842, WITH FUEL TANKS 20.1 U.S. GAL (76 L) FOR TELESCOPIC LEG MLG
R.H. WING	57-20-00 2F	S/N 1843 - 9999 WITH FUEL TANKS 20.1 U.S. GAL (76 L) FOR TELESCOPIC LEG MLG

57 - TABLE OF CONTENTS

PAGE 4

NOV 30/18

SUBJECT	CHAPTER SECTION FIG. SUBJECT	VALIDITY
R.H. WING	57-20-00 2G	WITH FUEL TANKS 20.1 U.S. GAL (76 L), FOR TRAILING ARM MLG, PRE-MOD. 151
R.H. WING	57-20-00 2H	WITH FUEL TANKS 20.1 U.S. GAL (76 L), FOR TRAILING ARM MLG POST-MOD. 151, PRE-MOD. 140 AND MOD. 152
R.H. WING	57-20-00 2J	WITH FUEL TANKS 20.1 U.S. GAL (76 L), FOR TRAILING ARM MLG, POST-MOD. 151, MOD. 140 AND MOD. 152
R.H. WING	57-20-00 2N	WITH FUEL TANKS 20.1 U.S. GAL (76 L), FOR TRAILING ARM MLG, POST-MOD. 151 AND MOD. 140, PRE-MOD. 152
L.H. WING STRUCTURE - LEADING EDGE	57-20-01 1	S/N 1 - 764, 766 - 878, WITH FUEL TANKS 26.9 U.S. GAL (102 L) FOR TELESCOPIC LEG MLG
L.H. WING STRUCTURE - LEADING EDGE	57-20-01 1A	S/N 1 - 1037 WITH FUEL TANKS 20.1 U.S. GAL (76 L) FOR TELESCOPIC LEG MLG
L.H. WING STRUCTURE - LEADING EDGE	57-20-01 1B	S/N 1038 - 9999 WITH FUEL TANKS 20.1 U.S. GAL (76 L) FOR TELESCOPIC LEG MLG
L.H. WING STRUCTURE - LEADING EDGE	57-20-01 1C	FOR TRAILING ARM MLG WITH KIT OPT10 922100
L.H. WING STRUCTURE - LEADING EDGE	57-20-01 1D	FOR TRAILING ARM MLG
L.H. WING STRUCTURE - LEADING EDGE ASSY	57-20-01 2	S/N 1 - 274 POST-SB 10-048-28 (KIT OPT10 915400) WITH FUEL TANKS 26.9 U.S. GAL (102 L)
L.H. WING STRUCTURE - LEADING EDGE ASSY	57-20-01 2A	S/N 1 - 300 POST-SB 10-048-28 (KIT OPT10 915400) WITH FUEL TANKS 20.1 U.S. GAL (76 L)

57 - TABLE OF CONTENTS

PAGE 5

SUBJECT	CHAPTER SECTION FIG. SUBJECT	VALIDITY
L.H. WING STRUCTURE - LEADING EDGE ASSY	57-20-01 2B	S/N 275 - 764, 766 - 878, POST-SB 10-048-28 (KIT OPT10 915400), WITH FUEL TANKS 26.9 U.S. GAL (102 L)
L.H. WING STRUCTURE - LEADING EDGE ASSY	57-20-01 2C	S/N 301 - 1037 POST-SB 10-048-28 (KIT OPT10 915400), WITH FUEL TANKS 20.1 U.S. GAL (76 L)
L.H. WING STRUCTURE - LEADING EDGE ASSY	57-20-01 2D	S/N 1038 - 9999 WITH FUEL TANKS 20.1 U.S. GAL (76 L), PRE-MOD. 151
L.H. WING STRUCTURE - LEADING EDGE ASSY	57-20-01 2E	S/N 1 - 9999 WITH FUEL TANKS 20.1 U.S. GAL (76 L), POST-MOD. 151
L.H. WING STRUCTURE - RIBS ON TRAILING EDGE	57-20-01 3	FOR TELESCOPIC LEG MLG
L.H. WING STRUCTURE - RIBS ON TRAILING EDGE	57-20-01 3A	FOR TRAILING ARM MLG
L.H. WING STRUCTURE - TRAILING EDGE SKINS	57-20-01 4	FOR TELESCOPIC LEG MLG
L.H. WING STRUCTURE - TRAILING EDGE SKINS	57-20-01 4A	FOR TRAILING ARM MLG PRE-MOD. 151
L.H. WING STRUCTURE - TRAILING EDGE SKINS	57-20-01 4B	FOR TRAILING ARM MLG POST-MOD. 151
R.H. WING STRUCTURE - LEADING EDGE	57-20-02 1	S/N 1 - 764, 766 - 878, WITH FUEL TANKS 26.9 U.S. GAL (102 L) FOR TELESCOPIC LEG MLG
R.H. WING STRUCTURE - LEADING EDGE	57-20-02 1A	S/N 1 - 1037 WITH FUEL TANKS 20.1 U.S. GAL (76 L) FOR TELESCOPIC LEG MLG
R.H. WING STRUCTURE - LEADING EDGE	57-20-02 1B	S/N 1038 - 9999 WITH FUEL TANKS 20.1 U.S. GAL (76 L) FOR TELESCOPIC LEG MLG
R.H. WING STRUCTURE - LEADING EDGE	57-20-02 1C	FOR TRAILING ARM MLG WITH KIT OPT10 922100
R.H. WING STRUCTURE - LEADING EDGE	57-20-02 1D	S/N 1038 - 9999 WITH FUEL TANKS 20.1 U.S. GAL (76 L) FOR TRAILING ARM MLG

57 - TABLE OF CONTENTS

PAGE 6

NOV 30/18

SUBJECT	CHAPTER SECTION SUBJECT	FIG.	VALIDITY
R.H. WING STRUCTURE - LEADING EDGE ASSY	57-20-02	2	S/N 1 - 274 POST-SB 10-048-28 (KIT OPT10 915400) WITH FUEL TANKS 26.9 U.S. GAL (102 L)
R.H. WING STRUCTURE - LEADING EDGE ASSY	57-20-02	2A	S/N 1 - 300 POST-SB 10-048-28 (KIT OPT10 915400) WITH FUEL TANKS 20.1 U.S. GAL (76 L)
R.H. WING STRUCTURE - LEADING EDGE ASSY	57-20-02	2B	S/N 275 - 764, 766 - 878, POST-SB 10-048-28 (KIT OPT10 915400), WITH FUEL TANKS 26.9 U.S. GAL (102 L)
R.H. WING STRUCTURE - LEADING EDGE ASSY	57-20-02	2C	S/N 301 - 1037 POST-SB 10-048-28 (KIT OPT10 915400), WITH FUEL TANKS 20.1 U.S. GAL (76 L)
R.H. WING STRUCTURE - LEADING EDGE ASSY	57-20-02	2D	S/N 1038 - 9999 WITH FUEL TANKS 20.1 U.S. GAL (76 L), PRE-MOD. 151
R.H. WING STRUCTURE - LEADING EDGE ASSY	57-20-02	2E	S/N 1 - 9999 WITH FUEL TANKS 20.1 U.S. GAL (76 L), POST-MOD. 151
R.H. WING STRUCTURE - RIBS ON TRAILING EDGE	57-20-02	3	FOR TELESCOPIC LEG MLG
R.H. WING STRUCTURE - RIBS ON TRAILING EDGE	57-20-02	3A	FOR TRAILING ARM MLG
R.H. WING STRUCTURE - TRAILING EDGE SKINS	57-20-02	4	FOR TELESCOPIC LEG MLG
R.H. WING STRUCTURE - TRAILING EDGE SKINS	57-20-02	4A	FOR TRAILING ARM MLG
WING ATTACHMENT FITTINGS	57-20-03	1	S/N 1 - 9999

57 - TABLE OF CONTENTS

PAGE 7

NOV 30/18

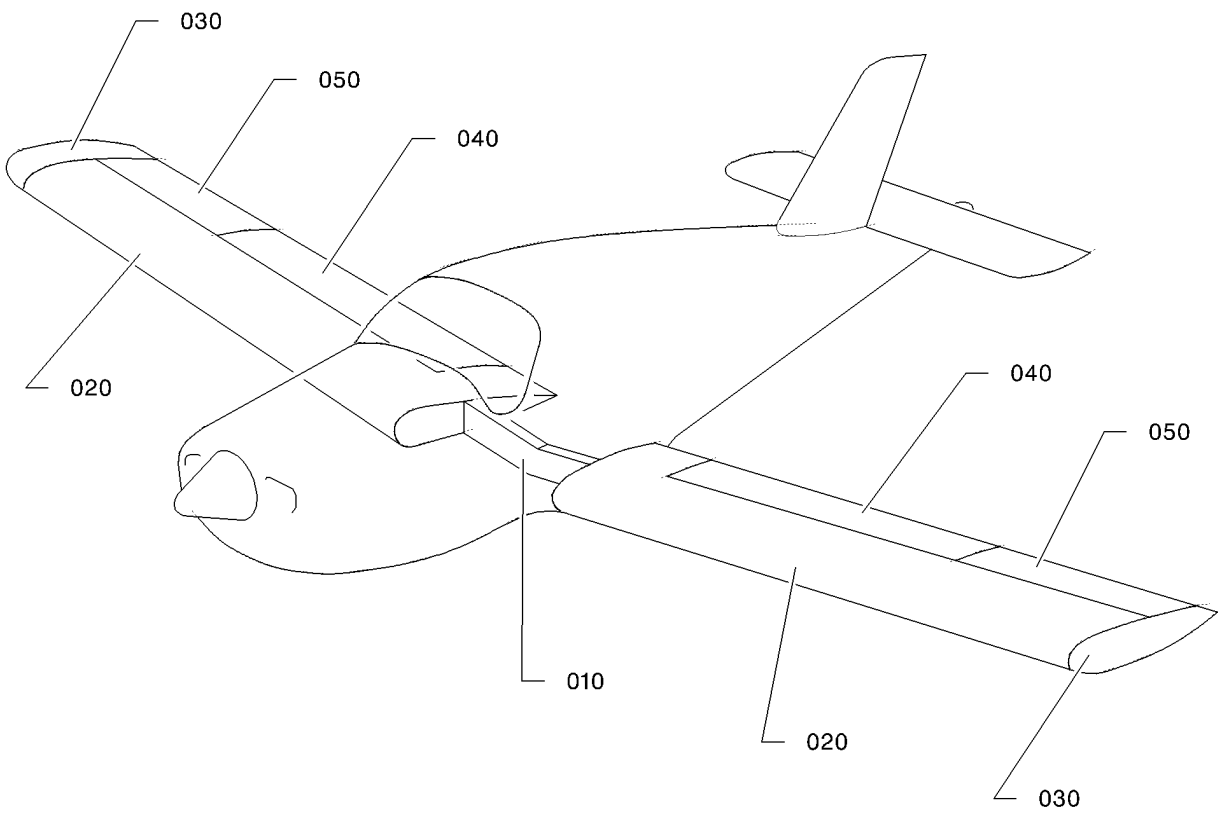
TB09

SUBJECT	CHAPTER SECTION FIG. SUBJECT	VALIDITY
WING TIPS	57-30	
WING TIPS	57-30-00 1	S/N 1 - 274
WING TIPS	57-30-00 1A	S/N 275 - 425
WING TIPS	57-30-00 1B	S/N 426 - 764, 766 - 822, 850 - 878
WING TIPS	57-30-00 1C	S/N 765, 823 - 849, 879 - 9999, PRE-MOD. 151
WING TIPS	57-30-00 1D	S/N 1 - 9999 POST-MOD. 151

SUBJECT	CHAPTER SECTION FIG. SUBJECT	VALIDITY
FLAPS	57-50	
WING FLAP - STRUCTURE	57-50-00 1	S/N 1 - 9999

SUBJECT	CHAPTER SECTION FIG. SUBJECT	VALIDITY
AILERONS	57-60	
AILERONS	57-60-00 1	S/N 1 - 9999

PAGE INTENTIONALLY BLANK



14570000AAAAYZ4300

WINGS
FIGURE 1

57-00-00

FIG. 1
PAGE 0 R
NOV 30/18

FIG.ITEM	PART NUMBER	1234567 	NOMENCLATURE	EFFECT FROM TO	UNITS PER ASSY	OBS
1 - 1	TB57-00-00-01-001		WINGS		RF	
10	TB57-10-00-01		.SPLICING		1	
20	TB57-20-00-01		.WINGS		1	
30	TB57-30-00-01		.WING TIPS		1	
40	TB57-50-00-01		.WING FLAPS		1	
50	TB57-60-00-01		.AILERONS		1	

R

- ITEM NOT ILLUSTRATED

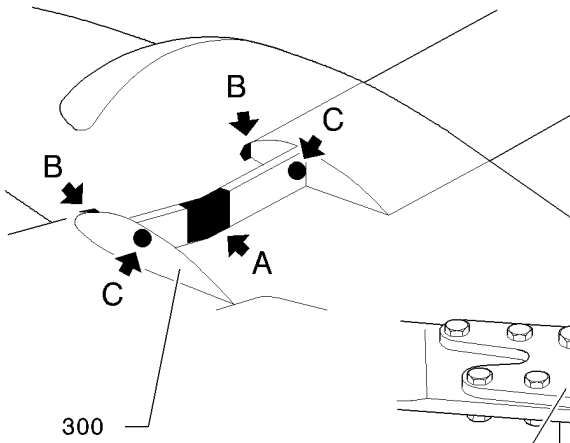
57-00-00

FIG. 1

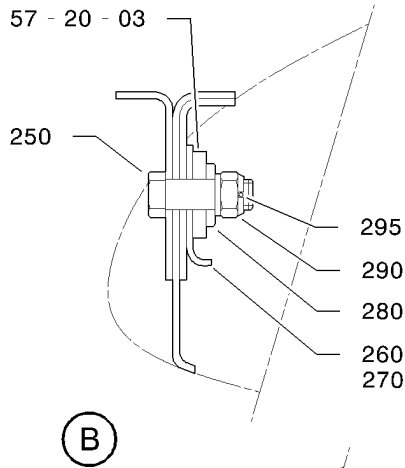
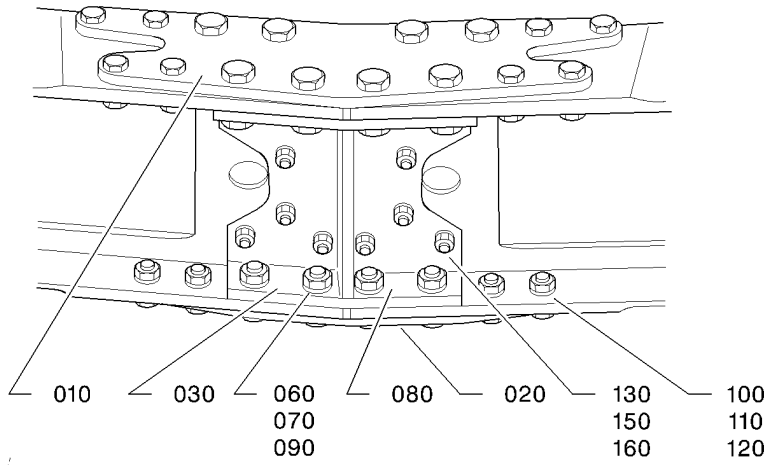
PAGE 1

NOV 30/18

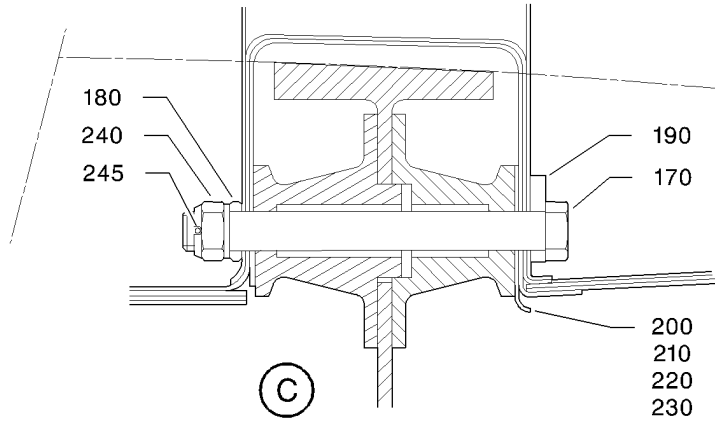
S/N 1 - 9999



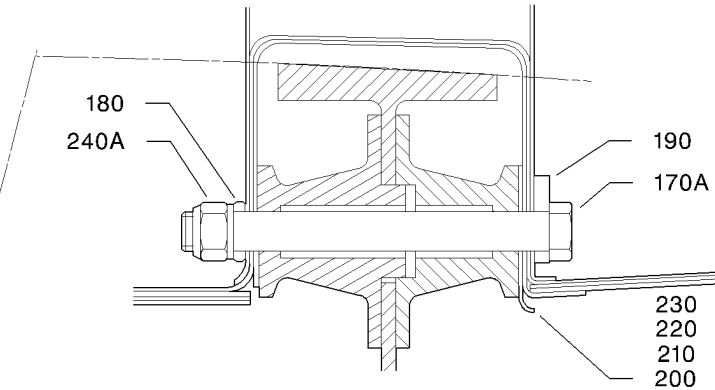
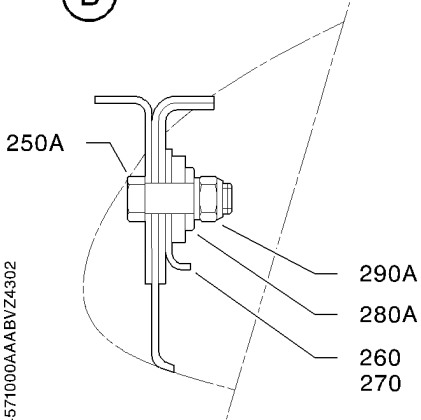
(A)



(B)



(C)



SPLICING
FIGURE 1

57-10-00

FIG. 1
PAGE 0 R
NOV 30/18

I4571000AAA BVZ4302

FIG.ITEM	PART NUMBER	NOMENCLATURE		EFFECT FROM TO	UNITS PER ASSY	OBS
		1234567 				
1 - 1	TF57-10-00-01-001		SPLICING		RF	
10	TB10 10010100		.WING SPLICE		1	
20	TB10 10010101		.WING SPLICE		1	
30	TB10 10011100		.WING SPLICE		1	
			RPLD BY TB10 1001009800			
- 30A	TB10 1001009800		.WING SPLICE		1	
			RPLS TB10 10011100			
- 40	TB10 10011101		.WING SPLICE		1	
			RPLD BY TB10 1001009900			
- 40A	TB10 1001009900		.WING SPLICE		1	
			RPLS TB10 10011101			
			ATTACHING PARTS			
60	5109337592		.BOLT		16	
70	5705015435		.WASHER		12	R
			OPT TO 23118AD100L MADE BY VF0111			
80	TB10 09168100		.SHIM		2	
90	5401458448		.NUT		16	
			OPT TO E25412B100QQVAL MADE BY VF0110			
100	5109337484		.BOLT		16	R
110	5701039365		.WASHER		16	R
			OPT TO 23111AD080L MADE BY VF0111			
120	5401458376		.NUT		16	R
			OPT TO E25412B80QQVAL MADE BY VF0110			
130	5109337289		.BOLT		12	R
			OPT TO 5109337289 MADE BY VF7411			
150	5705015290		.WASHER		12	R
			OPT TO 23118AD060L MADE BY VF0111			
160	5401458300		.NUT		12	R
			OPT TO E25412B60QQVAL MADE BY VF0110			
170	TB10 09011100		.BOLT		2	OR
			RPLD BY TB10 09011101 + 5402915522			
170A	TB10 09011101		.BOLT		2	
			RPLS TB10 09011100			
180	TB10 09012100		.RECESSED WASHER		2	
190	TB10 09013100		.THRUST WASHER		2	
200	TB10 09028100		.SHIM		AR	
210	TB10 09028101		.SHIM		AR	
220	TB10 09028102		.SHIM		AR	
230	TB10 09028103		.SHIM		AR	

- ITEM NOT ILLUSTRATED

57-10-00

FIG. 1

PAGE 1

NOV 30/18

FIG. ITEM	PART NUMBER	1234567 	NOMENCLATURE	EFFECT FROM TO	UNITS PER ASSY	OBS
1 240	5376336520		.NUT		2	
240A	5402915522		.NUT		2	R
245	5783009261		.COTTER PIN OPT TO ASN 532.01 MADE BY VF0111		2	R
250	5011212150		.SCREW RPLD BY 5109337649 + 5402915492		2	
250A	5109337649		.BOLT PRE-SB 10-123-57 RPLD BY TB10 0911110000		2	NP
-250B	TB10 0911110000		.BOLT RPLS 5109337649		2	
260	TB10 09027100		.SHIM		AR	
270	TB10 09027101		.SHIM		AR	
280	5202112000		.WASHER		2	
280A	5705015485		.WASHER OPT TO ASN 531-15 MADE BY VF6198		2	
290	5374336490		.NUT OPT TO NFL22451BC120L MADE BY VF0111		2	R
290A	5402915492		.NUT SUPSD BY 5402454490		2	R
-290B	5402454490		.NUT OPT TO 12PA108 MADE BY VF0224 SUPSDS 5402915492		2	R
295	5783009164		.COTTER PIN OPT TO 23310AA020025L MADE BY VF0111		2	R
300	4247754210		.WING ROOT SEAL PRE-MOD. 151 SUPSD BY TB10 09130102		2	NP R
-300A	4240020000		.WING ROOT SEAL PRE-MOD. 151 SUPSD BY TB10 09130102		2	NP R
-300B	TB10 09130102		.WING ROOT SEAL PRE-MOD. 151 SUPSDS 4247754210 AND 4240020000 SUPSD BY 4246670001		2	R
-300C	TB10 0913110000		.L.H. WING ROOT SEAL POST-MOD. 151 OR AFTER REPAIR NO. 20-016		1	
-300D	TB10 0913110100		.R.H. WING ROOT SEAL POST-MOD. 151 OR AFTER REPAIR NO. 20-016		1	

- ITEM NOT ILLUSTRATED

57-10-00

FIG. 1

PAGE 2

NOV 30/18

FIG.ITEM	PART NUMBER	NOMENCLATURE	EFFECT FROM TO	UNITS PER ASSY	OBS
1 -300E	4246670001	1234567 .EXTRUSION PRE-MOD. 151 LENGTH : 133.86 IN (3400 MM) SUPSDS TB10 09130102		AR	R
305	4246670001	..DELETED			R

- ITEM NOT ILLUSTRATED

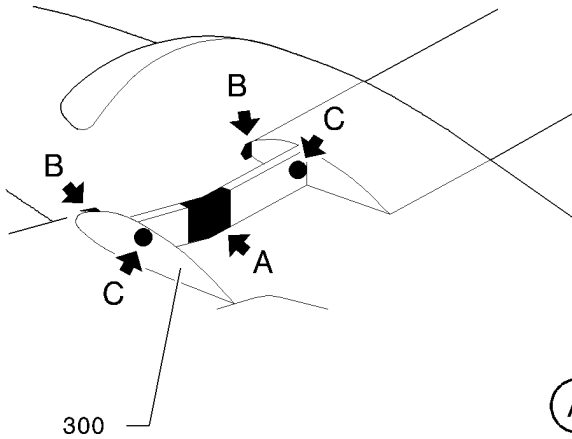
57-10-00

FIG. 1

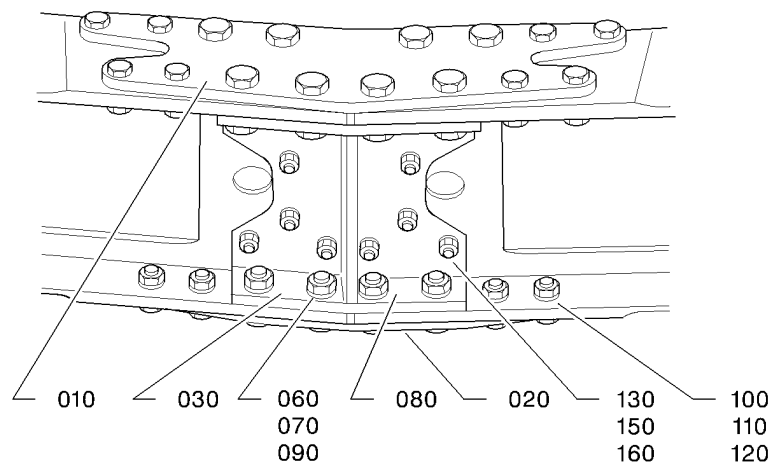
PAGE 3

NOV 30/18

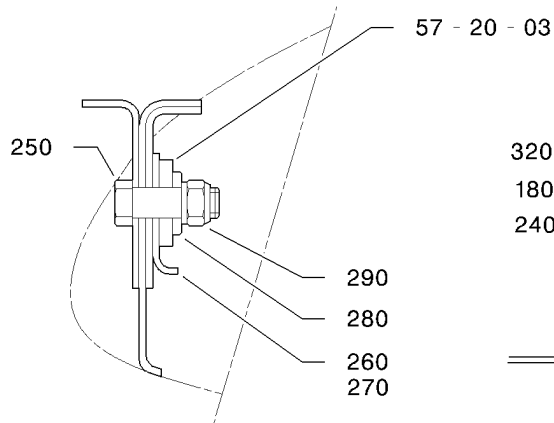
S/N 1 - 9999 PRE-MOD. 167



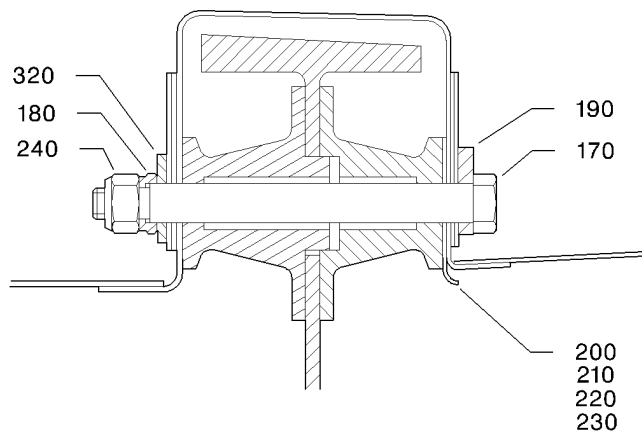
(A)



(B)



(C)



SPLICING
FIGURE 1A

57-10-00

FIG. 1A

PAGE 0 R

NOV 30/18

FIG.ITEM	PART NUMBER	NOMENCLATURE		EFFECT FROM TO	UNITS PER ASSY	OBS
		1234567 				
1A- 1	TF57-10-00-01A-001		SPLICING		RF	
10	TB10 10010100		.WING SPLICE		1	
20	TB10 10010101		.WING SPLICE		1	
30	TB10 1001009800		.WING SPLICE		1	
- 40	TB10 1001009900		.WING SPLICE		1	
			ATTACHING PARTS			
60	5109337592		.BOLT		16	
70	5705015435		.WASHER		12	R
			OPT TO 23118AD100L MADE BY VF0111			
80	TB10 09168100		.SHIM		2	
90	5401458448		.NUT		16	R
			OPT TO E25412B100QQVAL MADE BY VF0110			
100	5109337484		.BOLT		16	R
110	5701039365		.WASHER		16	R
			OPT TO 23111AD080L MADE BY VF0111			
120	5401458376		.NUT		16	R
			OPT TO E25412B80QQVAL MADE BY VF0110			
130	5109337289		.BOLT		12	R
			OPT TO 5109337289 MADE BY VF7411			
150	5705015290		.WASHER		12	R
			OPT TO 23118AD060L MADE BY VF0111			
160	5401458300		.NUT		12	R
			OPT TO E25412B60QQVAL MADE BY VF0110			
170	TB10 09011101		.BOLT		2	
180	TB10 09012100		.RECESSED WASHER		2	
190	TB10 0901310200		.THRUST WASHER		2	
200	TB10 09028100		.SHIM		AR	
210	TB10 09028101		.SHIM		AR	
220	TB10 09028102		.SHIM		AR	
230	TB10 09028103		.SHIM		AR	
240	5402915522		.NUT		2	
250	5109337649		.BOLT		2	NP
			PRE-SB 10-123-57			
-250A	TB10 0911110000		.BOLT		2	
			RPLS 5109337649			
260	TB10 09027100		.SHIM		AR	
270	TB10 09027101		.SHIM		AR	
280	5705015485		.WASHER		2	R
			OPT TO ASN 531-15 MADE BY VF6198			

- ITEM NOT ILLUSTRATED

57-10-00

FIG. 1A

PAGE 1

NOV 30/18

FIG. ITEM	PART NUMBER	1234567 	NOMENCLATURE	EFFECT FROM TO	UNITS PER ASSY	OBS
1A 290	5402915492		.NUT SUPSD BY 5402454490		2	R
-290A	5402454490		.NUT OPT TO 12PA108 MADE BY VF0224 SUPSDS 5402915492 * * *		2	R
300	TB10 0913110000		.L.H. WING ROOT SEAL		1	
-310	TB10 0913110100		.R.H. WING ROOT SEAL		1	
320	TB10 0901310200		.THRUST WASHER VARIANT DEPENDING ON THE PROTRUSION OF THE SMOOTH PORTION OF THE PIN		2	
-320A	TB10 0901310400		.THRUST WASHER VARIANT DEPENDING ON THE PROTRUSION OF THE SMOOTH PORTION OF THE PIN		2	

- ITEM NOT ILLUSTRATED

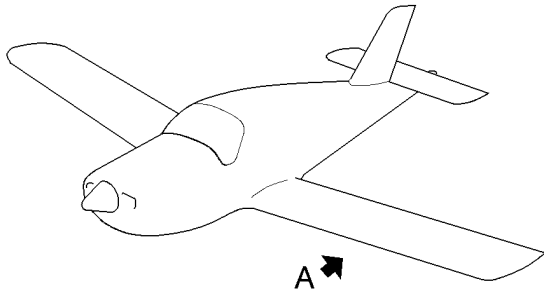
57-10-00

FIG. 1A

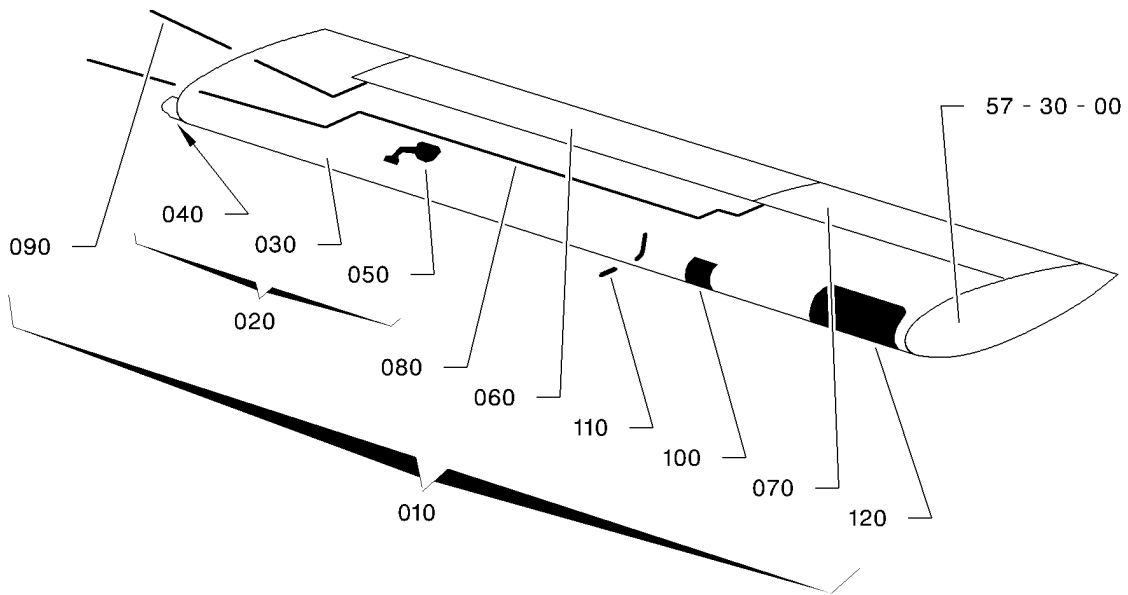
PAGE 2

NOV 30/18

PAGE INTENTIONALLY BLANK



(A)



I4572000AAAAYZ4301

L.H. WING
FIGURE 1

57-20-00

FIG. 1
PAGE 0 R

NOV 30/18

FIG. ITEM	PART NUMBER	1234567 	NOMENCLATURE	EFFECT FROM TO	UNITS PER ASSY	OBS
1 - 1	TF57-20-00-01-001		L.H. WING		RF	
10	TB10 10000911		.L.H. WING ASSY, EQUIPPED FOR MOD. 171 APPLICATION, REFER TO SB 10-134-28 (KIT OPT10 C866 03)		1	NP
20	TB10 11000000		..L.H. WING STRUCTURE, EQUIPPED S/N 1 - 274 ORDER : S/N 1 - 10 : 4 X 5701039365 ; S/N 1 - 48, 51, 68 : 1 X TB10 61017000 + 1 X TB10 61017102 + 2 X 5111943515 ORDER : S/N 1 - 274 : 1 X TB10 61106003 + 2 X TB20 52041003 + 2 X 7423516901 + 6 X 5101229106 + 6 X 5719061160 + 1 X TB10 76060109 ORDER : S/N 1 - 425 : 1 X 4911711103 + 1 X 4988967501 + 1 X 4988967675 + 1 X 4988967554 ONLY STANDARD LABELS ARE SUPPLIED IN THE KIT, ORDER OPTIONAL LABELS (GROUND, ...) ACCORDING TO THE AIRCRAFT EQUIPMENT ORDER : WITH LOW LEVEL DETECTOR OPTION : 1 X T200 61811001 + 1 X T200 61811103 RPLD BY OPT10 925300		1	NP

- ITEM NOT ILLUSTRATED

57-20-00

FIG. 1

PAGE 1 R

NOV 30/18

S/N 1 - 425 WITH FUEL TANKS 26.9 U.S. GAL (102 L) FOR TELESCOPIC LEG MLG

FIG. ITEM	PART NUMBER	1234567 	NOMENCLATURE	EFFECT FROM TO	UNITS PER ASSY	OBS
1 - 20A	TB10 11006000		..L.H. WING STRUCTURE, EQUIPPED S/N 275 - 425 ORDER : S/N 1 - 10 : 4 X 5701039365 ; S/N 1 - 48, 51, 68 : 1 X TB10 61017000 + 1 X TB10 61017102 + 2 X 5111943515 ORDER : S/N 1 - 274 : 1 X TB10 61106003 + 2 X TB20 52041003 + 2 X 7423516901 + 6 X 5101229106 + 6 X 5719061160 + 1 X TB10 76060109 ORDER : S/N 1 - 425 : 1 X 4911711103 + 1 X 4988967501 + 1 X 4988967675 + 1 X 4988967554 ORDER : WITH LOW LEVEL DETECTOR OPTION : 1 X T200 61811001 + 1 X T200 61811103 ONLY STANDARD LABELS ARE SUPPLIED IN THE KIT, ORDER OPTIONAL LABELS (GROUND, ...) ACCORDING TO THE AIRCRAFT EQUIPMENT RPLD BY OPT10 925300		1	NP
30	TB57-20-01-01		...L.H. WING STRUCTURE		1	
40	TB57-20-03-01		...WING ATTACHMENT FITTINGS		1	
50	TB28-40-01-01		...GAGES		1	
60	TB57-50-00-01		..WING FLAPS		1	R
70	TB57-60-00-01		..AILERONS		1	
80	TB27-10-02-01		..ROLL CONTROL IN WINGS		1	
90	TB27-50-04-01		..LINKAGE		1	R
100	TB27-30-04-01		..STALL WARNING INDICATOR		1	
110	TB34-10-00-01		..FLIGHT ENVIRONMENT DATA		1	R
120	33-40-00		..LIGHTS		1	
130	TB10 10000912		..R.H. WING ASSY, EQUIPPED		1	NP

- ITEM NOT ILLUSTRATED

57-20-00

FIG. 1

PAGE 2

NOV 30/18

S/N 1 - 425 WITH FUEL TANKS 26.9 U.S. GAL (102 L) FOR TELESCOPIC LEG MLG

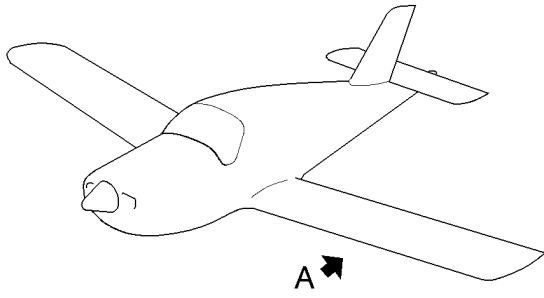
PAGE INTENTIONALLY BLANK

57-20-00

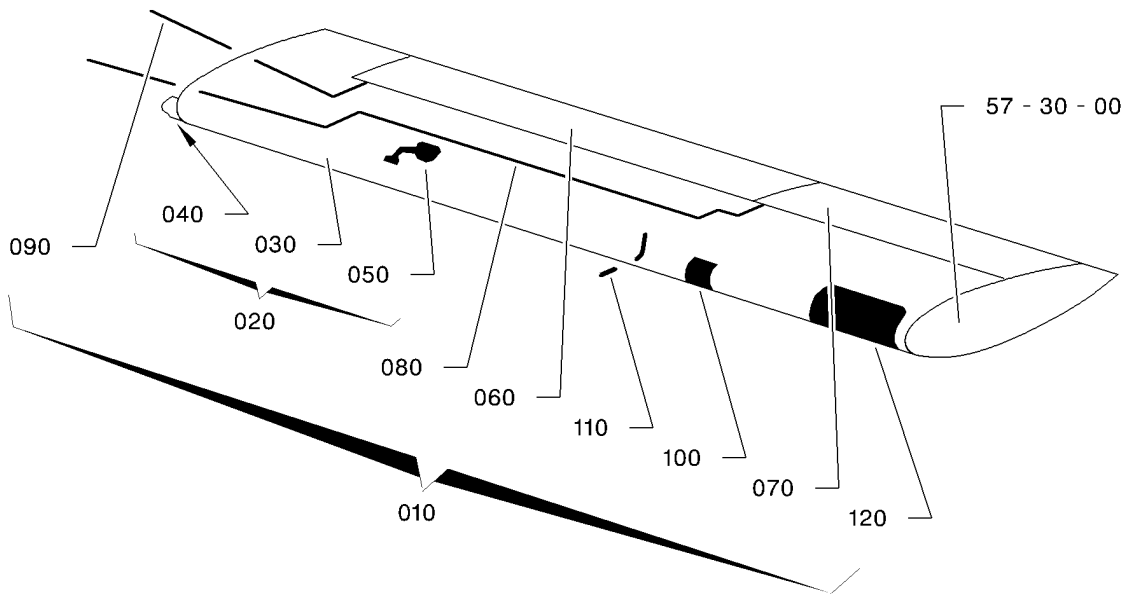
FIG. 1

PAGE 3 R

NOV 30/18



(A)



I4572000AAAAYZ4301

L.H. WING
FIGURE 1A

57-20-00

FIG. 1A

PAGE 0 R

NOV 30/18

FIG.ITEM	PART NUMBER	1234567 	NOMENCLATURE	EFFECT FROM TO	UNITS PER ASSY	OBS
1A- 1	TF57-20-00-01A-001		L.H. WING		RF	
10	TB09 10000911		.L.H. WING ASSY, EQUIPPED FOR MOD. 171 APPLICATION, REFER TO SB 10-134-28 (KIT OPT10 C866 03)		1	NP
20	TB09 11000000		..L.H. WING STRUCTURE, EQUIPPED S/N 1 - 300 ORDER : S/N 1 - 10 : 4 X 5701039365 ; S/N 1 - 48, 51, 68 : 1 X TB10 61017000 + 1 X TB10 61017102 + 2 X 5111943515 ORDER : S/N 1 - 300 : 1 X TB10 61106003 + 2 X TB20 52041003 + 2 X 7423516901 + 6 X 5101229106 + 6 X 5719061160 + 1 X TB09 76060109 ORDER : S/N 1 - 425 : 1 X 4911711103 + 1 X 4988967501 + 1 X 4988967675 + 1 X 4988967554 ORDER : WITH LOW LEVEL DETECTOR OPTION : 1 X T200 61811001 + 1 X T200 61811103 ONLY STANDARD LABELS ARE SUPPLIED IN THE KIT, ORDER OPTIONAL LABELS (GROUND, ...) ACCORDING TO THE AIRCRAFT EQUIPMENT RPLD BY OPT10 924700		1	NP

- ITEM NOT ILLUSTRATED

57-20-00

FIG. 1A

PAGE 1 R

NOV 30/18

S/N 1 - 425 WITH FUEL TANKS 20.1 U.S. GAL (76 L) FOR TELESCOPIC LEG MLG

FIG. ITEM	PART NUMBER	1234567 	NOMENCLATURE	EFFECT FROM TO	UNITS PER ASSY	OBS
1A- 20A	TB09 11000002		..L.H. WING STRUCTURE, EQUIPPED S/N 301 - 425 ORDER : S/N 1 - 10 : 4 X 5701039365 ; S/N 1 - 48, 51, 68 : 1 X TB10 61017000 + 1 X TB10 61017102 + 2 X 5111943515 ORDER : S/N 1 - 300 : 1 X TB10 61106003 + 2 X TB20 52041003 + 2 X 7423516901 + 6 X 5101229106 + 6 X 5719061160 + 1 X TB09 76060109 ORDER : S/N 1 - 425 : 1 X 4911711103 + 1 X 4988967501 + 1 X 4988967675 + 1 X 4988967554 ORDER : WITH LOW LEVEL DETECTOR OPTION : 1 X T200 61811001 + 1 X T200 61811103 ONLY STANDARD LABELS ARE SUPPLIED IN THE KIT, ORDER OPTIONAL LABELS (GROUND, ...) ACCORDING TO THE AIRCRAFT EQUIPMENT RPLD BY OPT10 924700		1	NP
30	TB57-20-01-01		...L.H. WING STRUCTURE		1	
40	TB57-20-03-01		...WING ATTACHMENT FITTINGS		1	
50	TB28-40-01-01		...GAGES		1	
60	TB57-50-00-01		..WING FLAPS		1	R
70	TB57-60-00-01		..AILERONS		1	
80	TB27-10-02-01		..ROLL CONTROL IN WINGS		1	
90	TB27-50-04-01		..LINKAGE		1	R
100	TB27-30-04-01		..STALL WARNING INDICATOR		1	
110	TB34-10-00-01		..FLIGHT ENVIRONMENT DATA		1	R
120	TB33-40-00-01		..EXTERNAL		1	R
130	TB09 10000912		..R.H. WING ASSY, EQUIPPED		1	NP

- ITEM NOT ILLUSTRATED

57-20-00

FIG. 1A

PAGE 2

NOV 30/18

S/N 1 - 425 WITH FUEL TANKS 20.1 U.S. GAL (76 L) FOR TELESCOPIC LEG MLG

PAGE INTENTIONALLY BLANK

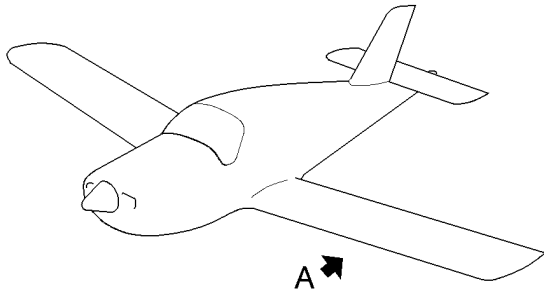
57-20-00

FIG. 1A

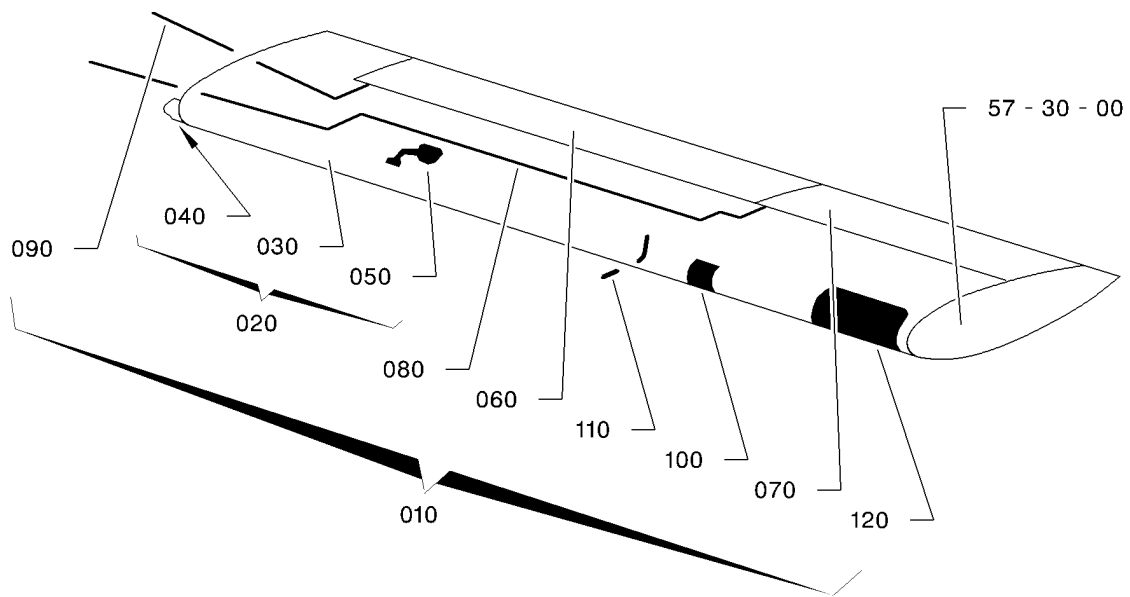
PAGE 3 R

NOV 30/18

S/N 1 - 425 WITH FUEL TANKS 20.1 U.S. GAL (76 L) FOR TELESCOPIC LEG MLG



(A)



14572000AAAAYZ4301

L.H. WING
FIGURE 1B

57-20-00

FIG. 1B

PAGE 0 R

NOV 30/18

S/N 426 - 764, 766 - 803, 805, 806, 809 - 815, 820 - 822, 850 - 878, WITH FUEL TANKS
26.9 U.S. GAL (102 L) FOR TELESCOPIC LEG MLG

FIG.ITEM	PART NUMBER	NOMENCLATURE	EFFECT FROM TO	UNITS PER ASSY	OBS
		1234567 			
1B- 1	TF57-20-00-01B-001	L.H. WING		RF	
10	TB10 10000911	.L.H. WING ASSY, EQUIPPED FOR MOD. 171 APPLICATION, REFER TO SB 10-134-28 (KIT OPT10 C866 03)		1	NP
20	TB10 11006000	..L.H. WING STRUCTURE, EQUIPPED ORDER : S/N 426 - 730 : 1 X TB10 52035008 ; S/N 731 - 764, 766 - 803, 805, 806, 809 - 815, 820 - 822, 850 - 878 : 1 X TB20 52024008 ONLY STANDARD LABELS ARE SUPPLIED IN THE KIT, ORDER OPTIONAL LABELS (GROUND, ...) ACCORDING TO THE AIRCRAFT EQUIPMENT ORDER : WITH LOW LEVEL DETECTOR OPTION : 1 X T200 61811001 + 1 X T200 61811103 ORDER : S/N 426 - 764, 766 - 803, 805, 806, 809 - 815, 820 - 822, 850 - 878 : 1 X 4911711103 + 1 X 4988967501 + 1 X 4988967675 + 1 X 4988967554 RPLD BY OPT10 925500		1	NP
30	TB57-20-01-01	...L.H. WING STRUCTURE		1	
40	TB57-20-03-01	...WING ATTACHMENT FITTINGS		1	
50	TB28-40-01-01	...GAGES		1	
60	TB57-50-00-01	..WING FLAPS		1	R
70	TB57-60-00-01	..AILERONS		1	
80	TB27-10-02-01	..ROLL CONTROL IN WINGS		1	
90	TB27-50-04-01	..LINKAGE		1	R
100	TB27-30-04-01	..STALL WARNING INDICATOR		1	
110	TB34-10-00-01	..FLIGHT ENVIRONMENT DATA		1	R
120	TB33-40-00-01	..EXTERNAL		1	R
130	TB10 10000912	.R.H. WING ASSY, EQUIPPED		1	NP

- ITEM NOT ILLUSTRATED

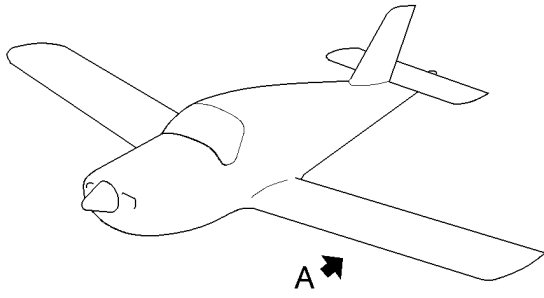
57-20-00

FIG. 1B

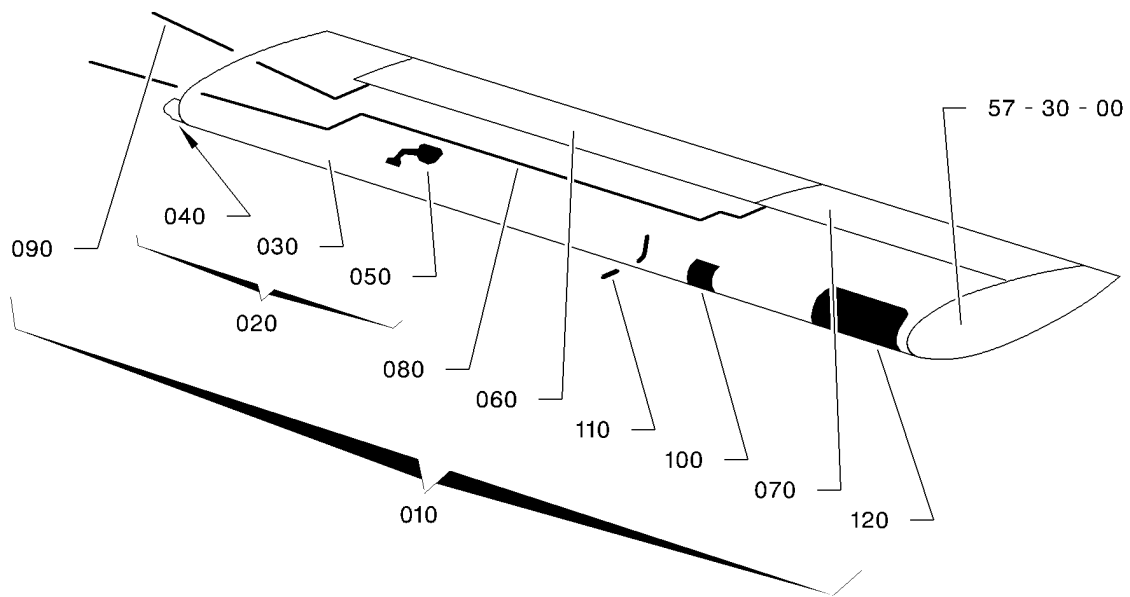
PAGE 1

NOV 30/18

S/N 426 - 764, 766 - 803, 805, 806, 809 - 815, 820 - 822, 850 - 878, WITH FUEL TANKS 26.9 U.S. GAL (102 L) FOR TELESCOPIC LEG MLG



(A)



I4572000AAAAYZ4301

L.H. WING
FIGURE 1C

57-20-00

FIG. 1C

PAGE 0 R

NOV 30/18

S/N 426 - 764, 766 - 822, 850 - 878, WITH FUEL TANKS 20.1 U.S. GAL (76 L) FOR TELESCOPIC LEG MLG

FIG.ITEM	PART NUMBER	NOMENCLATURE	EFFECT FROM TO	UNITS PER ASSY	OBS
		1234567 			
1C- 1	TF57-20-00-01C-001	L.H. WING		RF	
10	TB09 10000911	.L.H. WING ASSY, EQUIPPED FOR MOD. 171 APPLICATION, REFER TO SB 10-134-28 (KIT OPT10 C866 03)		1	NP
20	TB09 11000002	..L.H. WING STRUCTURE, EQUIPPED ORDER : S/N 426 - 730 : 1 X TB10 52035008 ; S/N 731 - 764, 766 - 822, 850 - 878 : 1 X TB20 52024008 ORDER : S/N 426 - 764, 766 - 822, 850 - 878 : 1 X 4911711103 + 1 X 4988967501 + 1 X 4988967675 + 4988967554 ORDER : WITH LOW LEVEL DETECTOR OPTION : 1 X T200 61811001 + 1 X T200 61811103 ONLY STANDARD LABELS ARE SUPPLIED IN THE KIT, ORDER OPTIONAL LABELS (GROUND, ...) ACCORDING TO THE AIRCRAFT EQUIPMENT RPLD BY OPT10 924900		1	NP
30	TB57-20-01-01	...L.H. WING STRUCTURE		1	
40	TB57-20-03-01	...WING ATTACHMENT FITTINGS		1	
50	TB28-40-01-01	...GAGES		1	
60	TB57-50-00-01	..WING FLAPS		1	R
70	TB57-60-00-01	..AILERONS		1	
80	TB27-10-02-01	..ROLL CONTROL IN WINGS		1	
90	TB27-50-04-01	..LINKAGE		1	R
100	TB27-30-04-01	..STALL WARNING INDICATOR		1	
110	TB34-10-00-01	..FLIGHT ENVIRONMENT DATA		1	R
120	TB33-40-00-01	..EXTERNAL		1	R
130	TB09 10000912	.R.H. WING ASSY, EQUIPPED		1	NP

- ITEM NOT ILLUSTRATED

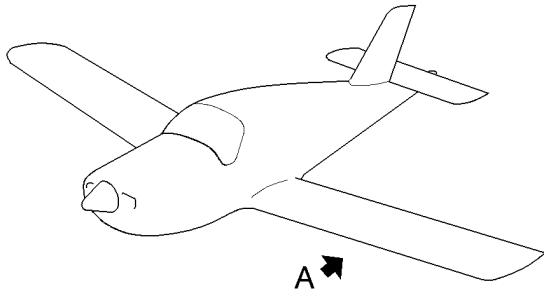
57-20-00

FIG. 1C

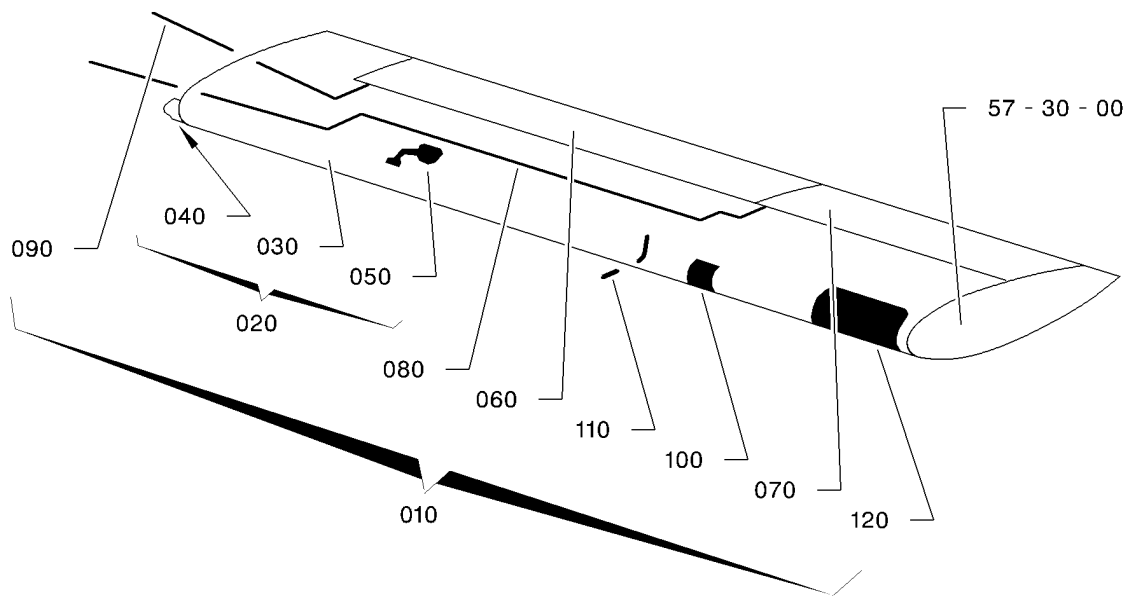
PAGE 1

NOV 30/18

S/N 426 - 764, 766 - 822, 850 - 878, WITH FUEL TANKS 20.1 U.S. GAL (76 L) FOR TELESCOPIC LEG MLG



(A)



14572000AAAAYZ4301

L.H. WING
FIGURE 1D

57-20-00

FIG. 1D

PAGE 0 R

NOV 30/18

S/N 765, 879 - 887, 889 - 947, WITH FUEL TANKS 20.1 U.S. GAL (76 L), FOR TELESCOPIC LEG MLG

FIG.ITEM	PART NUMBER	NOMENCLATURE	EFFECT FROM TO	UNITS PER ASSY	OBS
		1234567 			
1D- 1	TF57-20-00-01D-001	L.H. WING		RF	
10	TB09 10010911	.L.H. WING ASSY, EQUIPPED FOR MOD. 171 APPLICATION, REFER TO SB 10-134-28 (KIT OPT10 C866 03)		1	NP
20	TB09 11000002	..L.H. WING STRUCTURE, EQUIPPED ONLY STANDARD LABELS ARE SUPPLIED IN THE KIT, ORDER OPTIONAL LABELS (GROUND, ...) ACCORDING TO THE AIRCRAFT EQUIPMENT ORDER : S/N 765, 879 - 887, 889 - 947 : 1 X TB20 52024008 + 1 X 4911711103 + 1 X 4988967501 + 1 X 4988967675 + 1 X 4988967554 ORDER : WITH LOW LEVEL DETECTOR OPTION : 1 X T200 61811001 + 1 X T200 61811103 RPLD BY OPT10 924900		1	NP
30	TB57-20-01-01	...L.H. WING STRUCTURE		1	
40	TB57-20-03-01	...WING ATTACHMENT FITTINGS		1	
50	TB28-40-01-01	...GAGES		1	
60	TB57-50-00-01	..WING FLAPS		1	R
70	TB57-60-00-01	..AILERONS		1	
80	TB27-10-02-01	..ROLL CONTROL IN WINGS		1	
90	TB27-50-04-01	..LINKAGE		1	R
100	TB27-30-04-01	..STALL WARNING INDICATOR		1	
110	TB34-10-00-01	..FLIGHT ENVIRONMENT DATA		1	R
120	TB33-40-00-01	..EXTERNAL		1	R
130	TB09 10010912	.R.H. WING ASSY, EQUIPPED		1	NP

- ITEM NOT ILLUSTRATED

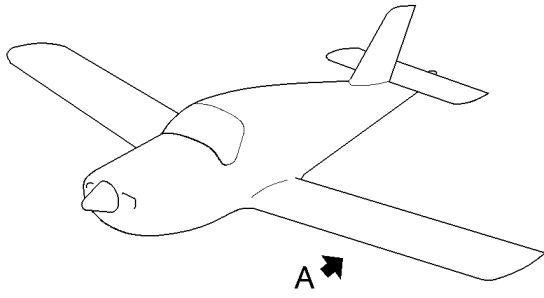
57-20-00

FIG. 1D

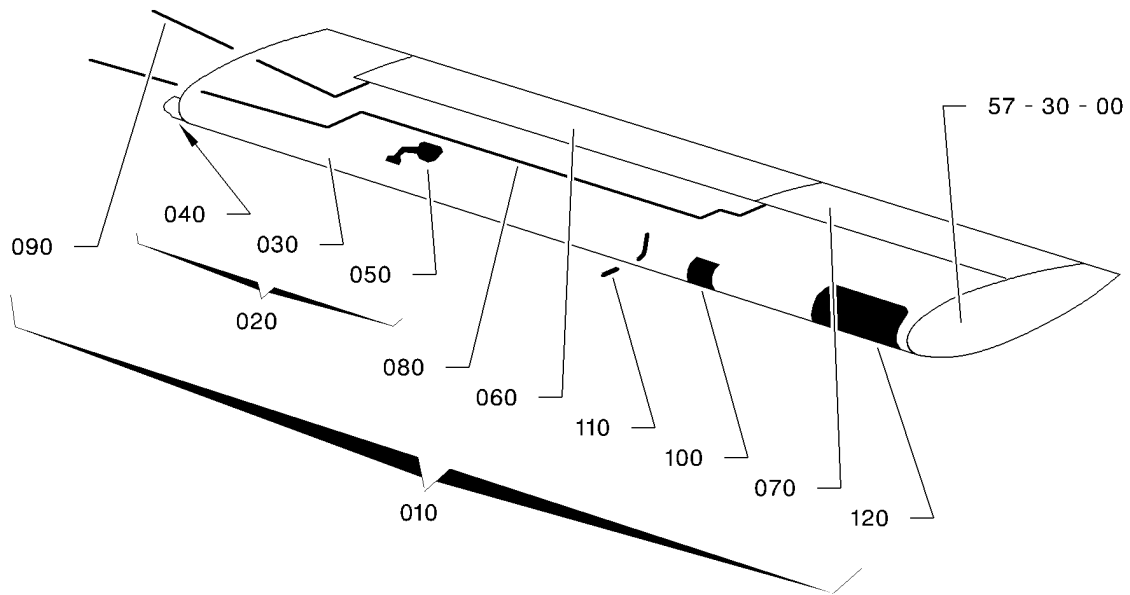
PAGE 1

NOV 30/18

S/N 765, 879 - 887, 889 - 947, WITH FUEL TANKS 20.1 U.S. GAL (76 L), FOR TELESCOPIC LEG MLG



(A)



I4572000AAAAYZ4301

L.H. WING
FIGURE 1E

57-20-00

FIG. 1E

PAGE 0 R

NOV 30/18

S/N 823 - 849, 888, 948 - 1842, WITH FUEL TANKS 20.1 U.S. GAL (76 L) FOR TELESCOPIC LEG MLG

FIG. ITEM	PART NUMBER	NOMENCLATURE	EFFECT FROM TO	UNITS PER ASSY	OBS
		1234567 			
1E- 1	TF57-20-00-01E-001	L.H. WING		RF	
10	TB09 10200911	.L.H. WING ASSY, EQUIPPED S/N 823 - 849, 888, 948 - 968, 970 - 1184, 1186 - 1213, 1215 - 1477, 1479 - 1505, 1509 - 1512 FOR MOD. 171 APPLICATION, REFER TO SB 10-134-28 (KIT OPT10 C866 03)		1	NP
- 10A	TB09 10200913	.L.H. WING ASSY, EQUIPPED S/N 969, 1185, 1214, 1478, 1506 - 1508, 1513 - 1842 FOR MOD. 171 APPLICATION, REFER TO SB 10-134-28 (KIT OPT10 C866 03)		1	NP
20	TB09 11000002	..L.H. WING STRUCTURE, EQUIPPED S/N 823 - 849, 888, 948 - 968, 970 - 1184, 1186 - 1213, 1215 - 1477, 1479 - 1505, 1509 - 1512 ONLY STANDARD LABELS ARE SUPPLIED IN THE KIT, ORDER OPTIONAL LABELS (GROUND, ...) ACCORDING TO THE AIRCRAFT EQUIPMENT ORDER : WITH LOW LEVEL DETECTOR OPTION : 1 X T200 61811001 + 1 X T200 61811103 ORDER : S/N 823 - 1037 : 1 X TB20 52024008 ; S/N 823 - 849, 888, 948 - 1842 : 1 X 4911711103 + 1 X 4988967501 + 1 X 4988967675 + 1 X 4988967554 RPLD BY OPT10 924900		1	NP

- ITEM NOT ILLUSTRATED

57-20-00

FIG. 1E

PAGE 1 R

NOV 30/18

S/N 823 - 849, 888, 948 - 1842, WITH FUEL TANKS 20.1 U.S. GAL (76 L) FOR TELESCOPIC LEG MLG

FIG.ITEM	PART NUMBER	1234567 	NOMENCLATURE	EFFECT FROM TO	UNITS PER ASSY	OBS
1E- 20A	TB09 11000904		..L.H. WING STRUCTURE, EQUIPPED S/N 969, 1185, 1214, 1478, 1506 - 1508, 1513 - 1842 ORDER : WITH LOW LEVEL DETECTOR OPTION : 1 X T200 61811001 + 1 X T200 61811103 ONLY STANDARD LABELS ARE SUPPLIED IN THE KIT, ORDER OPTIONAL LABELS (GROUND, ...) ACCORDING TO THE AIRCRAFT EQUIPMENT ORDER : S/N 823 - 1037 : 1 X TB20 52024008 ; S/N 823 - 849, 888, 948 - 1842 : 1 X 4911711103 + 1 X 4988967501 + 1 X 4988967675 + 1 X 4988967554 RPLD BY OPT10 924900		1	NP
30	TB57-20-01-01		...L.H. WING STRUCTURE		1	
40	TB57-20-03-01		...WING ATTACHMENT FITTINGS		1	
50	TB28-40-01-01		...GAGES		1	
60	TB57-50-00-01		..WING FLAPS		1	R
70	TB57-60-00-01		..AILERONS		1	
80	TB27-10-02-01		..ROLL CONTROL IN WINGS		1	
90	TB27-50-04-01		..LINKAGE		1	R
100	TB27-30-04-01		..STALL WARNING INDICATOR		1	
110	TB34-10-00-01		..FLIGHT ENVIRONMENT DATA		1	R
120	TB33-40-00-01		..EXTERNAL		1	R
130	TB09 10200912		..R.H. WING ASSY, EQUIPPED		1	NP

- ITEM NOT ILLUSTRATED

57-20-00

FIG. 1E

PAGE 2

NOV 30/18

S/N 823 - 849, 888, 948 - 1842, WITH FUEL TANKS 20.1 U.S. GAL (76 L) FOR TELESCOPIC
LEG MLG

PAGE INTENTIONALLY BLANK

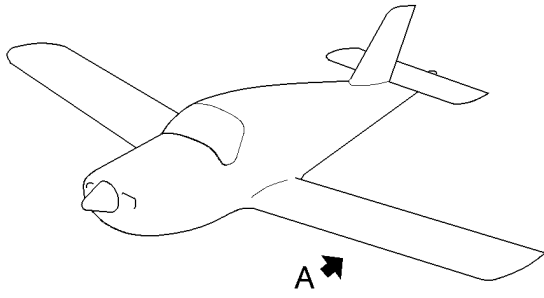
57-20-00

FIG. 1E

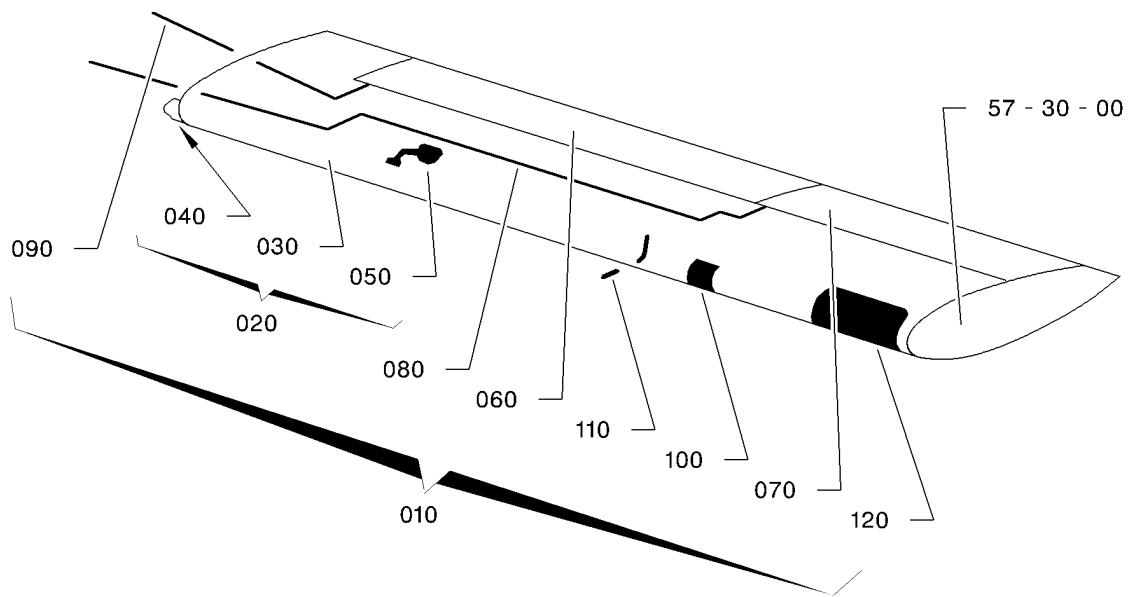
PAGE 3 R

NOV 30/18

S/N 823 - 849, 888, 948 - 1842, WITH FUEL TANKS 20.1 U.S. GAL (76 L) FOR TELESCOPIC
LEG MLG



(A)



I4572000AAAAYZ4301

L.H. WING
FIGURE 1F

57-20-00

FIG. 1F

PAGE 0 R

NOV 30/18

FIG.ITEM	PART NUMBER	1234567 	NOMENCLATURE	EFFECT FROM TO	UNITS PER ASSY	OBS
1F- 1	TF57-20-00-01F-001		L.H. WING		RF	
10	TB09 1000000901		.L.H. WING ASSY, EQUIPPED FOR MOD. 171 APPLICATION, REFER TO SB 10-134-28 (KIT OPT10 C866 03)		1	NP
20	TB09 1100000601		..L.H. WING STRUCTURE, EQUIPPED ORDER : S/N 1843 - 9999 : 1 X 4911711103 + 1 X 4988967501 + 1 X 4988967675 + 1 X 4988967554 ORDER : WITH LOW LEVEL DETECTOR OPTION : 1 X T200 61811001 + 1 X T200 61811103 ONLY STANDARD LABELS ARE SUPPLIED IN THE KIT, ORDER OPTIONAL LABELS (GROUND, ...) ACCORDING TO THE AIRCRAFT EQUIPMENT RPLD BY OPT10 924900		1	NP
30	TB57-20-01-01		...L.H. WING STRUCTURE		1	
40	TB57-20-03-01		...WING ATTACHMENT FITTINGS		1	
50	TB28-40-01-01		...GAGES		1	
60	TB57-50-00-01		..WING FLAPS		1	R
70	TB57-60-00-01		..AILERONS		1	
80	TB27-10-02-01		..ROLL CONTROL IN WINGS		1	
90	TB27-50-04-01		..LINKAGE		1	R
100	TB27-30-04-01		..STALL WARNING INDICATOR		1	
110	TB34-10-00-01		..FLIGHT ENVIRONMENT DATA		1	R
120	TB33-40-00-01		..EXTERNAL		1	R
130	TB09 1000001001		.R.H. WING ASSY, EQUIPPED		1	NP

- ITEM NOT ILLUSTRATED

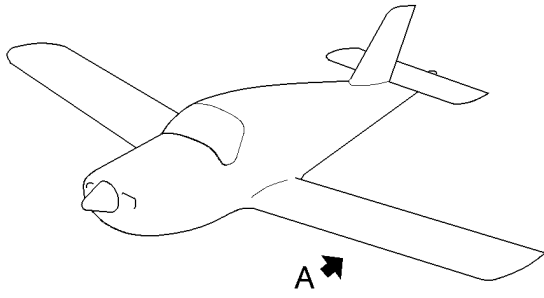
57-20-00

FIG. 1F

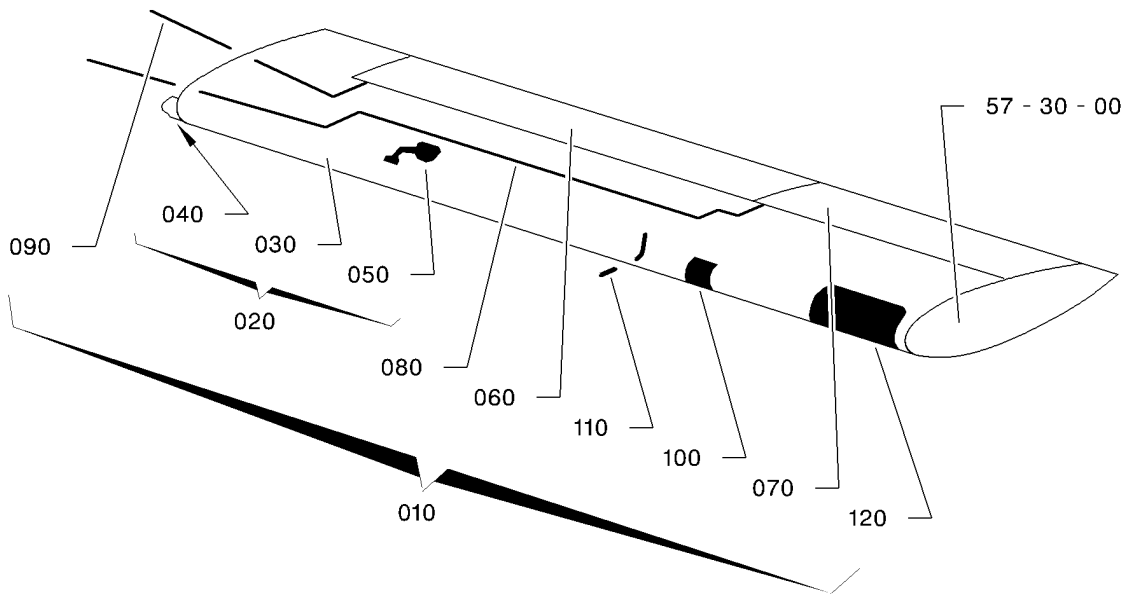
PAGE 1

NOV 30/18

S/N 1843 - 9999 WITH FUEL TANKS 20.1 U.S. GAL (76 L) FOR TELESCOPIC LEG MLG



(A)



I4572000AAAAYZ4301

L.H. WING
FIGURE 1G

57-20-00

FIG. 1G

PAGE 0 R

NOV 30/18

WITH FUEL TANKS 20.1 U.S. GAL (76 L), FOR TRAILING ARM MLG, PRE-MOD. 151

FIG.ITEM	PART NUMBER	NOMENCLATURE	EFFECT FROM TO	UNITS PER ASSY	OBS
		1234567 			
1G- 1	TF57-20-00-01G-001	L.H. WING		RF	
10	TB09 1005000101	.L.H. WING ASSY, EQUIPPED S/N 1185, 1633, 1793, 1794, 1798, 1806, 1807, 1819 FOR MOD. 171 APPLICATION, REFER TO SB 10-134-28 (KIT OPT10 C866 03)		1	NP
- 10A	TB09 1005000701	.L.H. WING ASSY, EQUIPPED S/N 1851 - 1853, 1869 - 1900 FOR MOD. 171 APPLICATION, REFER TO SB 10-134-28 (KIT OPT10 C866 03)		1	NP
- 10B	TB09 1005000410	.L.H. WING ASSY, EQUIPPED S/N 1901 - 9999 FOR MOD. 171 APPLICATION, REFER TO SB 10-134-28 (KIT OPT10 C866 03)		1	NP
20	TB09 1100800001	.L.H. WING STRUCTURE, EQUIPPED S/N 1185, 1633, 1793, 1794, 1798, 1806, 1807, 1819 ORDER : S/N 1185, 1633, 1793, 1794, 1798, 1806, 1807, 1819, 1851 - 1853, 1869 - 9999 : 1 X 4911711103 + 1 X 4988967501 + 1 X 4988967675 + 1 X 4988967554 ONLY STANDARD LABELS ARE SUPPLIED IN THE KIT, ORDER OPTIONAL LABELS (GROUND, ...) ACCORDING TO THE AIRCRAFT EQUIPMENT ORDER : WITH LOW LEVEL DETECTOR OPTION : 1 X T200 61811001 + 1 X T200 61811103 RPLD BY OPT10 925100		1	NP

- ITEM NOT ILLUSTRATED

57-20-00

FIG. 1G

PAGE 1 R

NOV 30/18

WITH FUEL TANKS 20.1 U.S. GAL (76 L), FOR TRAILING ARM MLG, PRE-MOD. 151

FIG. ITEM	PART NUMBER	NOMENCLATURE	EFFECT FROM TO	UNITS PER ASSY	OBS
		1234567 			
1G- 20A	TB09 1100800450	..L.H. WING STRUCTURE, EQUIPPED S/N 1851 - 1853, 1869 - 1900 ORDER : S/N 1185, 1633, 1793, 1794, 1798, 1806, 1807, 1819, 1851 - 1853, 1869 - 9999 : 1 X 4911711103 + 1 X 4988967501 + 1 X 4988967675 + 1 X 4988967554 ONLY STANDARD LABELS ARE SUPPLIED IN THE KIT, ORDER OPTIONAL LABELS (GROUND, ...) ACCORDING TO THE AIRCRAFT EQUIPMENT ORDER : WITH LOW LEVEL DETECTOR OPTION : 1 X T200 61811001 + 1 X T200 6181103 RPLD BY OPT10 925100		1	NP
- 20B	TB09 1100800250	..L.H. WING STRUCTURE, EQUIPPED S/N 1901 - 9999 ORDER : S/N 1185, 1633, 1793, 1794, 1798, 1806, 1807, 1819, 1851 - 1853, 1869 - 9999 : 1 X 4911711103 + 1 X 4988967501 + 1 X 4988967675 + 1 X 4988967554 ORDER : WITH LOW LEVEL DETECTOR OPTION : 1 X T200 61811001 + 1 X T200 6181103 ONLY STANDARD LABELS ARE SUPPLIED IN THE KIT, ORDER OPTIONAL LABELS (GROUND, ...) ACCORDING TO THE AIRCRAFT EQUIPMENT RPLD BY OPT10 925100		1	NP
30	TB57-20-01-01	...L.H. WING STRUCTURE		1	
40	TB57-20-03-01	...WING ATTACHMENT FITTINGS		1	
50	TB28-40-01-01	...GAGES		1	
60	TB57-50-00-01	..WING FLAPS		1	R
70	TB57-60-00-01	..AILERONS		1	
80	TB27-10-02-01	..ROLL CONTROL IN WINGS		1	
90	TB27-50-04-01	..LINKAGE		1	R
100	TB27-30-04-01	..STALL WARNING INDICATOR		1	
110	TB34-10-00-01	..FLIGHT ENVIRONMENT DATA		1	R
120	TB33-40-00-01	..EXTERNAL		1	R
130	TB09 1005000201	..R.H. WING ASSY, EQUIPPED		1	NP

- ITEM NOT ILLUSTRATED

57-20-00

FIG. 1G

PAGE 2

NOV 30/18

WITH FUEL TANKS 20.1 U.S. GAL (76 L), FOR TRAILING ARM MLG, PRE-MOD. 151

PAGE INTENTIONALLY BLANK

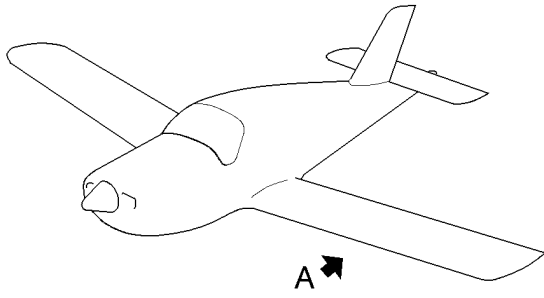
57-20-00

FIG. 1G

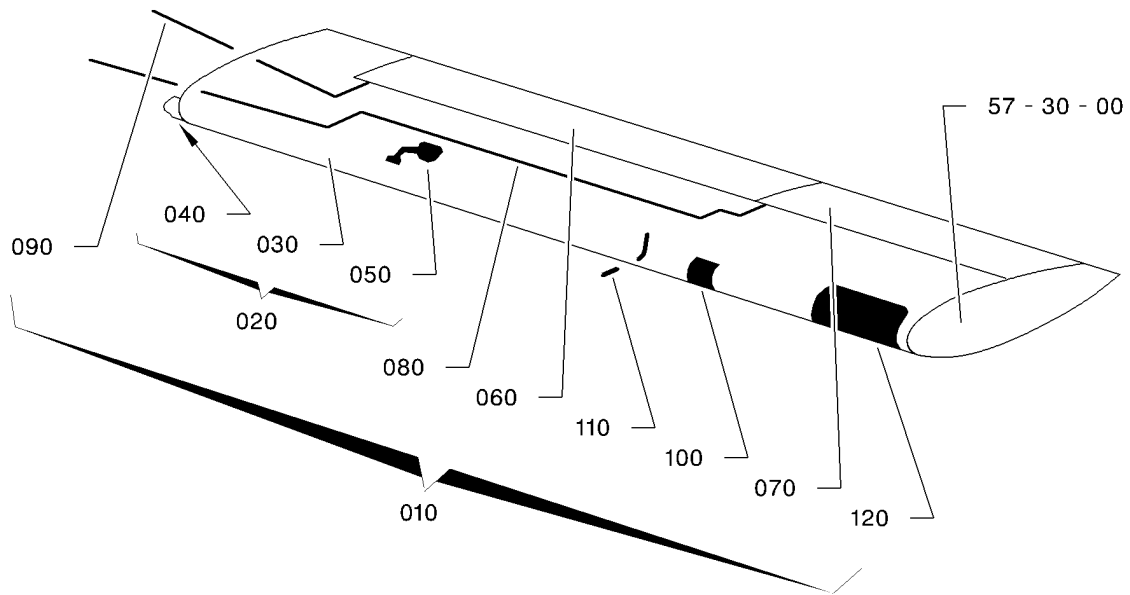
PAGE 3 R

NOV 30/18

WITH FUEL TANKS 20.1 U.S. GAL (76 L), FOR TRAILING ARM MLG, PRE-MOD. 151



(A)



I4572000AAAAYZ4301

L.H. WING
FIGURE 1H

57-20-00

FIG. 1H

PAGE 0 R

NOV 30/18

WITH FUEL TANKS 20.1 U.S. GAL (76 L), FOR TRAILING ARM MLG, POST-MOD. 151, PRE-MOD. 140 AND MOD. 152

FIG.ITEM	PART NUMBER	1234567 	NOMENCLATURE	EFFECT FROM TO	UNITS PER ASSY	OBS
1H- 1	TF57-20-00-01H-001		L.H. WING		RF	
10	TB09 1005001010		.L.H. WING ASSY, EQUIPPED		1	NP
20	TB09 1100800610		..L.H. WING STRUCTURE, EQUIPPED		1	NP
30	TB57-20-01-01		...L.H. WING STRUCTURE		1	
40	TB57-20-03-01		...WING ATTACHMENT FITTINGS		1	
50	TB28-40-01-01		...GAGES		1	
60	TB57-50-00-01		..WING FLAPS		1	R
70	TB57-60-00-01		..AILERONS		1	
80	TB27-10-02-01		..ROLL CONTROL IN WINGS		1	
90	TB27-50-04-01		..LINKAGE		1	R
100	TB27-30-04-01		..STALL WARNING INDICATOR		1	
110	TB34-10-00-01		..FLIGHT ENVIRONMENT DATA		1	R
120	TB33-40-00-01		..EXTERNAL		1	R
130	TB09 1005001110		.R.H. WING ASSY EQUIPPED		1	NP

- ITEM NOT ILLUSTRATED

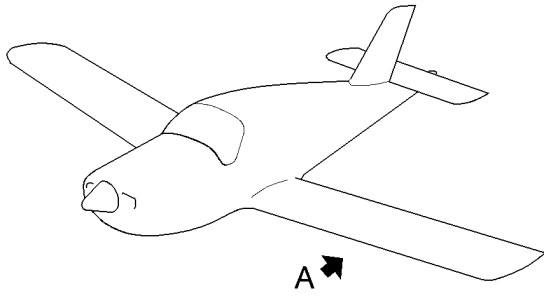
57-20-00

FIG. 1H

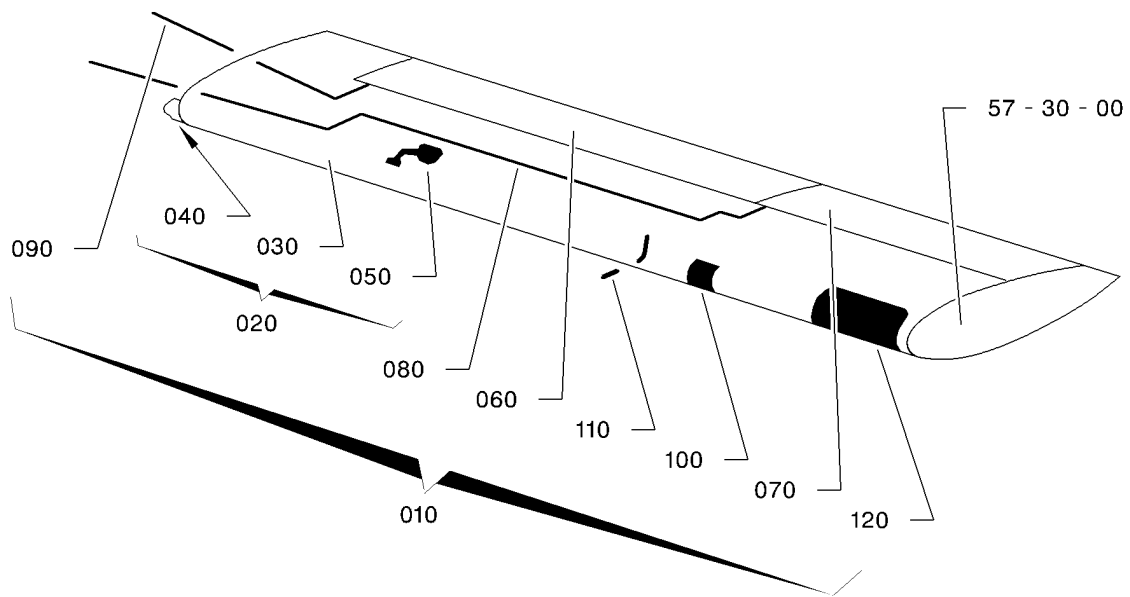
PAGE 1

NOV 30/18

WITH FUEL TANKS 20.1 U.S. GAL (76 L), FOR TRAILING ARM MLG, POST-MOD. 151, PRE-MOD. 140 AND MOD. 152



(A)



14572000AAAAYZ4301

L.H. WING
FIGURE 1J

57-20-00

FIG. 1J

PAGE 0 R

NOV 30/18

WITH FUEL TANKS 20.1 U.S. GAL (76 L), FOR TRAILING ARM MLG, POST-MOD. 151, MOD. 140, MOD. 152

FIG. ITEM	PART NUMBER	NOMENCLATURE		EFFECT FROM TO	UNITS PER ASSY	OBS
		1234567 				
1J- 1	TF57-20-00-01J-001		L.H. WING		RF	
10	TB09 1000100110		.L.H. WING ASSY, EQUIPPED		1	NP
20	TB09 1100200010		..L.H. WING STRUCTURE, EQUIPPED		1	NP
30	TB57-20-01-01		...L.H. WING STRUCTURE		1	
40	TB57-20-03-01		...WING ATTACHMENT FITTINGS		1	
50	TB28-40-01-01		...GAGES		1	
60	TB57-50-00-01		..WING FLAPS		1	R
70	TB57-60-00-01		..AILERONS		1	
80	TB27-10-02-01		..ROLL CONTROL IN WINGS		1	
90	TB27-50-04-01		..LINKAGE		1	R
100	TB27-30-04-01		..STALL WARNING INDICATOR		1	
110	TB34-10-00-01		..FLIGHT ENVIRONMENT DATA		1	R
120	TB33-40-00-01		..EXTERNAL		1	R
130	TB09 1000100210		.R.H. WING ASSY, EQUIPPED		1	NP

- ITEM NOT ILLUSTRATED

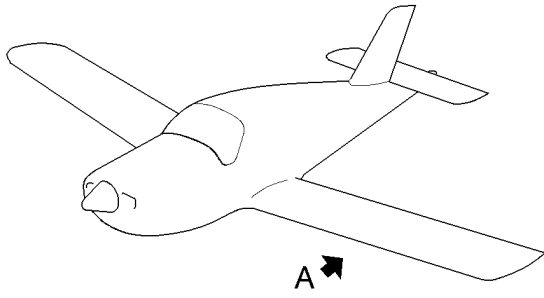
57-20-00

FIG. 1J

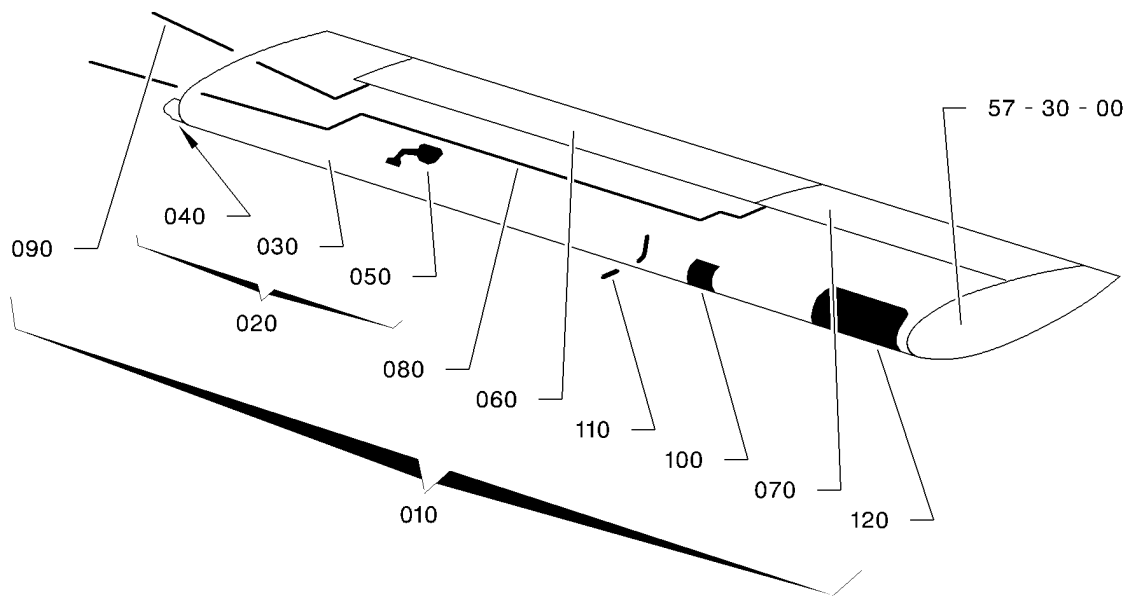
PAGE 1

NOV 30/18

WITH FUEL TANKS 20.1 U.S. GAL (76 L), FOR TRAILING ARM MLG, POST-MOD. 151, MOD. 140, MOD. 152



(A)



14572000AAAAYZ4301

L.H. WING
FIGURE 1N

57-20-00

FIG. 1N

PAGE 0 R

NOV 30/18

WITH FUEL TANKS 20.1 U.S. GAL (76 L), FOR TRAILING ARM MLG, POST-MOD. 151 AND MOD. 140, PRE-MOD. 152

FIG.ITEM	PART NUMBER	NOMENCLATURE		EFFECT FROM TO	UNITS PER ASSY	OBS
		1234567 				
1N- 1	TF57-20-00-01N-001		L.H. WING		RF	R
10	TB09 1005001310		.L.H. WING ASSY, EQUIPPED		1 NP	
20	TB09 1100800611		..L.H. WING STRUCTURE, EQUIPPED		1 NP	
30	TB57-20-01-01		...L.H. WING STRUCTURE		1	
40	TB57-20-03-01		...WING ATTACHMENT FITTINGS		1	
50	TB28-40-01-01		...GAGES		1	
60	TB57-50-00-01		..WING FLAPS		1	R
70	TB57-60-00-01		..AILERONS		1	
80	TB27-10-02-01		..ROLL CONTROL IN WINGS		1	
90	TB27-50-04-01		..LINKAGE		1	R
100	TB27-30-04-01		..STALL WARNING INDICATOR		1	
110	TB34-10-00-01		..FLIGHT ENVIRONMENT DATA		1	R
120	TB33-40-00-01		..EXTERNAL		1	R
130	TB09 1005001410		.R.H. WING ASSY, EQUIPPED		1 NP	

- ITEM NOT ILLUSTRATED

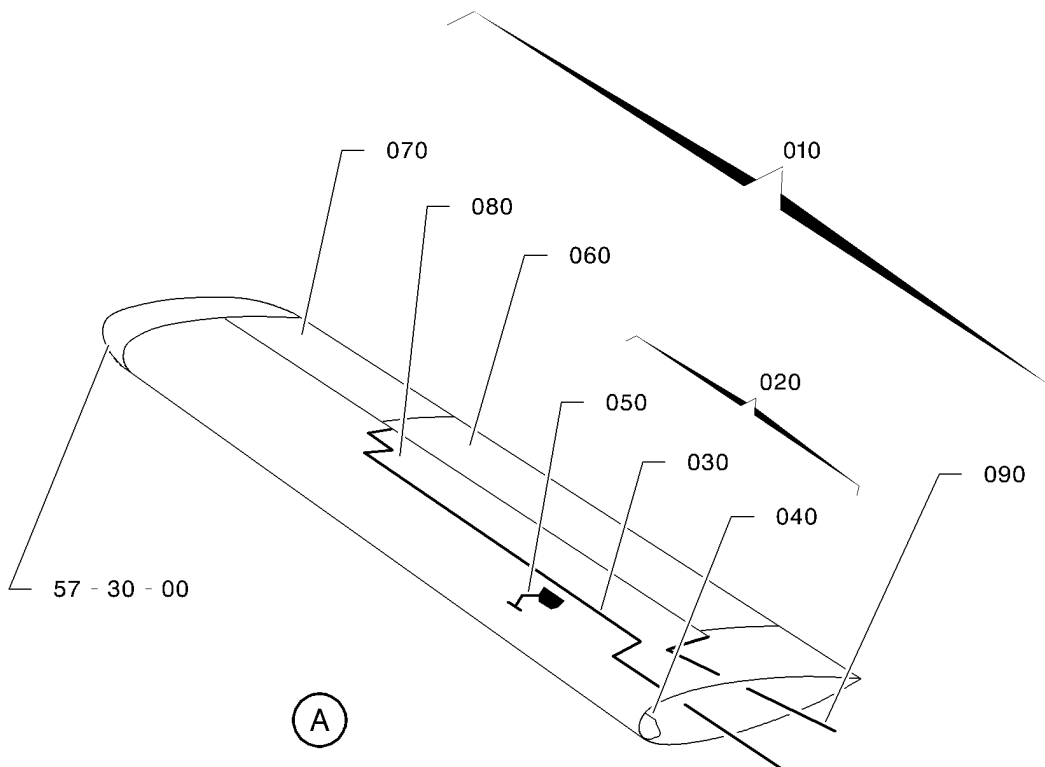
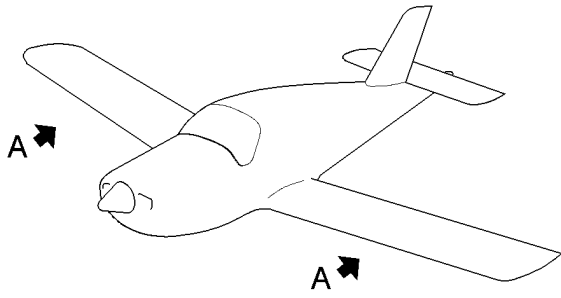
57-20-00

FIG. 1N

PAGE 1

NOV 30/18

WITH FUEL TANKS 20.1 U.S. GAL (76 L), FOR TRAILING ARM MLG, POST-MOD. 151 AND MOD. 140, PRE-MOD. 152



I4572000AAAAAYZ4400

R.H. WING
FIGURE 2

57-20-00

FIG. 2
PAGE 0 R

NOV 30/18

FIG. ITEM	PART NUMBER	1234567 	NOMENCLATURE	EFFECT FROM TO	UNITS PER ASSY	OBS
2 - 1	TF57-20-00-02-001		R.H. WING		RF	
10	TB10 10000912		.R.H. WING ASSY, EQUIPPED FOR MOD. 171 APPLICATION, REFER TO SB 10-134-28 (KIT OPT10 C866 03)		1	NP
20	TB10 11000001		..R.H. WING STRUCTURE, EQUIPPED S/N 1 - 274 ORDER : S/N 1 - 10 : 4 X 5701039365 ; S/N 1 - 274 : 1 X TB10 61105004 + 2 X TB20 52041003 + 2 X 7423516901 + 6 X 5101229106 + 6 X 5719061160 + 1 X TB10 76060109 ORDER : S/N 1 - 425 : 1 X 4911711103 + 1 X 4988967501 + 1 X 4988967675 + 1 X 4988967554 WITH 2ND HEATED PITOT ASSY OPTION UNDER R.H. WING, ORDER : 4381430576 (13.8 FT) + 4 X 5401458159 ORDER : WITH LOW LEVEL DETECTOR OPTION : 1 X T200 61811001 + 1 X T200 61811103 ONLY STANDARD LABELS ARE SUPPLIED IN THE KIT, ORDER OPTIONAL LABELS (GROUND, ...) ACCORDING TO THE AIRCRAFT EQUIPMENT RPLD BY OPT10 925400		1	NP

- ITEM NOT ILLUSTRATED

57-20-00

FIG. 2

PAGE 1 R

NOV 30/18

S/N 1 - 425 WITH FUEL TANKS 26.9 U.S. GAL (102 L) FOR TELESCOPIC LEG MLG

FIG. ITEM	PART NUMBER	1234567 	NOMENCLATURE	EFFECT FROM TO	UNITS PER ASSY	OBS
2 - 20A	TB10 11006001		..R.H. WING STRUCTURE, EQUIPPED S/N 275 - 425 ORDER : S/N 1 - 10 : 4 X 5701039365 ; S/N 1 - 274 : 1 X TB10 61105004 + 2 X TB20 52041003 + 2 X 7423516901 + 6 X 5101229106 + 6 X 5719061160 + 1 X TB10 76060109 ORDER : S/N 1 - 425 : 1 X 4911711103 + 1 X 4988967501 + 1 X 4988967675 + 1 X 4988967554 WITH 2ND HEATED PITOT ASSY OPTION UNDER R.H. WING, ORDER : 4381430576 (13.8 FT) + 4 X 5401458159 ORDER : WITH LOW LEVEL DETECTOR OPTION : 1 X T200 61811001 + 1 X T200 61811103 ONLY STANDARD LABELS ARE SUPPLIED IN THE KIT, ORDER OPTIONAL LABELS (GROUND, ...) ACCORDING TO THE AIRCRAFT EQUIPMENT RPLD BY OPT10 925400		1	NP
30	TB57-20-02-01		...R.H. WING STRUCTURE		1	
40	TB57-20-03-01		...WING ATTACHMENT FITTINGS		1	
50	TB28-40-01-01		...GAGES		1	
60	TB57-50-50-01		..WING FLAP (STRUCTURE)		1	
70	TB57-60-00-01		..AILERONS		1	
80	TB27-10-02-01		..ROLL CONTROL IN WINGS		1	
90	TB27-50-04-01		..LINKAGE		1	R

- ITEM NOT ILLUSTRATED

57-20-00

FIG. 2

PAGE 2

NOV 30/18

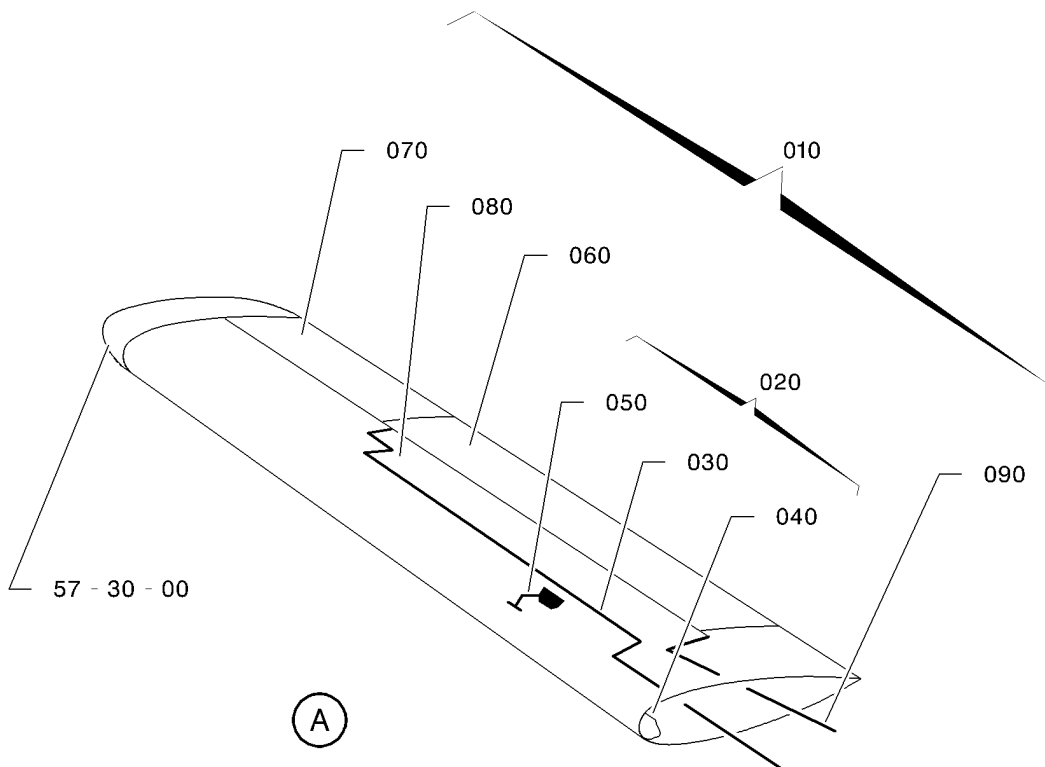
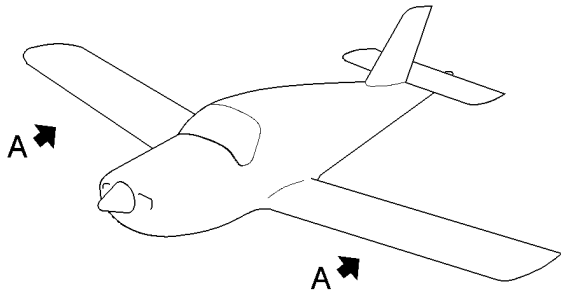
S/N 1 - 425 WITH FUEL TANKS 26.9 U.S. GAL (102 L) FOR TELESCOPIC LEG MLG

PAGE INTENTIONALLY BLANK

57-20-00

FIG. 2
PAGE 3 R

NOV 30/18



14572000AAAAZY4400

R.H. WING
FIGURE 2A

57-20-00

FIG. 2A

PAGE 0 R

NOV 30/18

FIG. ITEM	PART NUMBER	1234567 	NOMENCLATURE	EFFECT FROM TO	UNITS PER ASSY	OBS
2A- 1	TF57-20-00-02A-001		R.H. WING		RF	
10	TB09 10000912		.R.H. WING ASSY, EQUIPPED FOR MOD. 171 APPLICATION, REFER TO SB 10-134-28 (KIT OPT10 C866 03)		1	NP
20	TB09 11000001		..R.H. WING STRUCTURE, EQUIPPED S/N 1 - 300 ORDER : S/N 1 - 10 : 4 X 5701039365 ; S/N 1 - 300 : 1 X TB10 61105004 + 2 X TB20 52041003 + 2 X 7423516901 + 6 X 5101229106 + 6 X 5719061160 + 1 X TB09 76060109 ORDER : S/N 1 - 425 : 1 X 4911711103 + 1 X 4988967501 + 1 X 4988967675 + 1 X 4988967554 WITH 2ND HEATED PITOT ASSY OPTION UNDER R.H. WING, ORDER : 4381430576 (13.8 FT) + 4 X 5401458159 ORDER : WITH LOW LEVEL DETECTOR OPTION : 1 X T200 61811001 + 1 X T200 61811103 ONLY STANDARD LABELS ARE SUPPLIED IN THE KIT, ORDER OPTIONAL LABELS (GROUND, ...) ACCORDING TO THE AIRCRAFT EQUIPMENT RPLD BY OPT10 924800		1	NP

- ITEM NOT ILLUSTRATED

57-20-00

FIG. 2A

PAGE 1 R

NOV 30/18

S/N 1 - 425 WITH FUEL TANKS 20.1 U.S. GAL (76 L) FOR TELESCOPIC LEG MLG

FIG.ITEM	PART NUMBER	1234567 	NOMENCLATURE	EFFECT FROM TO	UNITS PER ASSY	OBS
2A- 20A	TB09 11000003		..R.H. WING STRUCTURE, EQUIPPED S/N 301 - 425 ORDER : S/N 1 - 10 : 4 X 5701039365 ; S/N 1 - 300 : 1 X TB10 61105004 + 2 X TB20 52041003 + 2 X 7423516901 + 6 X 5101229106 + 6 X 5719061160 + 1 X TB09 76060109 ORDER : S/N 1 - 425 : 1 X 4911711103 + 1 X 4988967501 + 1 X 4988967675 + 1 X 4988967554 WITH 2ND HEATED PITOT ASSY OPTION UNDER R.H. WING, ORDER : 4381430576 (13.8 FT) + 4 X 5401458159 ORDER : WITH LOW LEVEL DETECTOR OPTION : 1 X T200 61811001 + 1 X T200 61811103 ONLY STANDARD LABELS ARE SUPPLIED IN THE KIT, ORDER OPTIONAL LABELS (GROUND, ...) ACCORDING TO THE AIRCRAFT EQUIPMENT RPLD BY OPT10 924800		1	NP
30	TB57-20-02-01		...R.H. WING STRUCTURE		1	
40	TB57-20-03-01		...WING ATTACHMENT FITTINGS		1	
50	TB28-40-01-01		...GAGES		1	
60	TB57-50-00-01		..WING FLAPS		1	R
70	TB57-60-00-01		..AILERONS		1	
80	TB27-10-02-01		..ROLL CONTROL IN WINGS		1	
90	TB27-50-04-01		..LINKAGE		1	R

- ITEM NOT ILLUSTRATED

57-20-00

FIG. 2A

PAGE 2

NOV 30/18

S/N 1 - 425 WITH FUEL TANKS 20.1 U.S. GAL (76 L) FOR TELESCOPIC LEG MLG

PAGE INTENTIONALLY BLANK

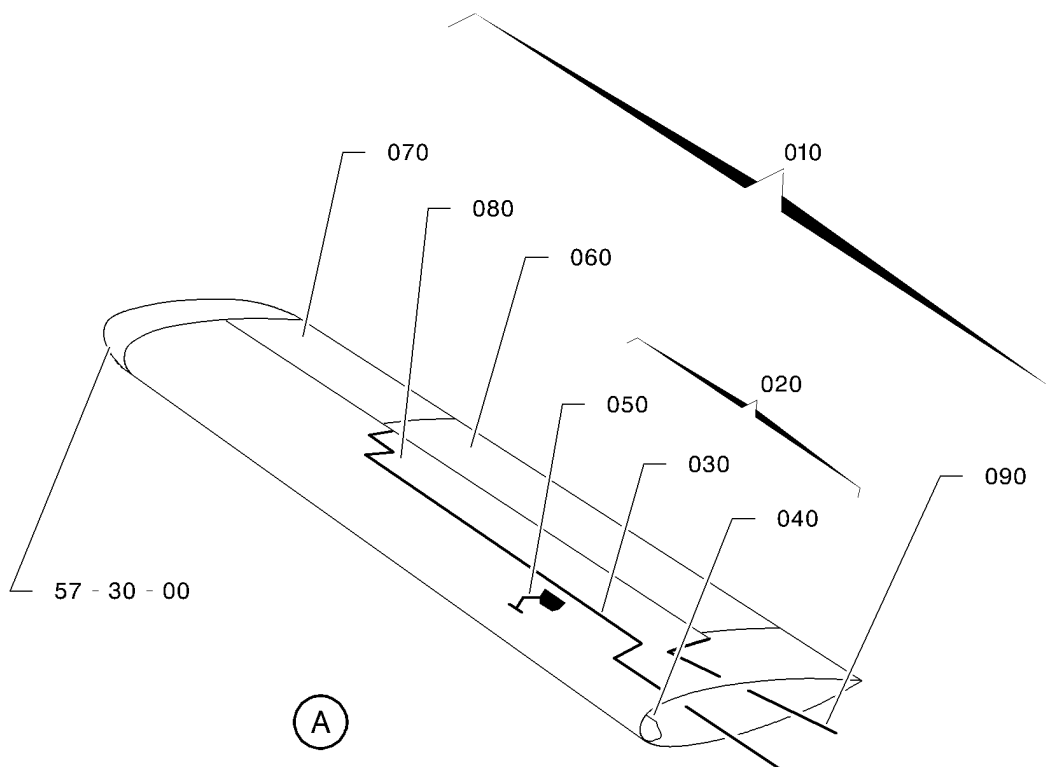
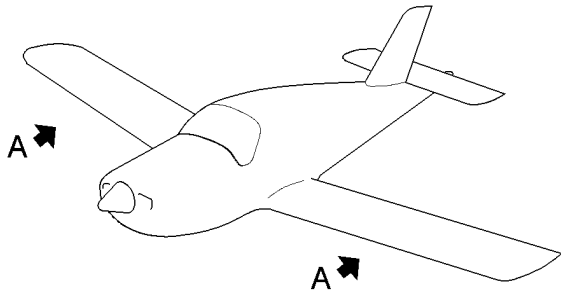
57-20-00

FIG. 2A

PAGE 3 R

NOV 30/18

S/N 1 - 425 WITH FUEL TANKS 20.1 U.S. GAL (76 L) FOR TELESCOPIC LEG MLG



14572000AAAAAYZ4400

R.H. WING
FIGURE 2B

57-20-00

FIG. 2B

PAGE 0 R

NOV 30/18

S/N 426 - 764, 766 - 803, 805, 806, 809 - 815, 820 - 822, 850 - 878, WITH FUEL TANKS
26.9 U.S. GAL (102 L) FOR TELESCOPIC LEG MLG

FIG. ITEM	PART NUMBER	NOMENCLATURE	EFFECT FROM TO	UNITS PER ASSY	OBS
		1234567 			
2B- 1	TF57-20-00-02B-001	R.H. WING		RF	
10	TB09 10000912	.R.H. WING ASSY, EQUIPPED FOR MOD. 171 APPLICATION, REFER TO SB 10-134-28 (KIT OPT10 C866 03)		1	NP
20	TB10 11006001	..R.H. WING STRUCTURE, EQUIPPED ORDER : S/N 426 - 730 : 1 X TB10 52035009 ; S/N 731 - 764, 766 - 803, 805, 806, 809 - 815, 820 - 822, 850 - 878 : 1 X TB20 52024009 ORDER : S/N 426 - 764, 766 - 803, 805, 806, 809 - 815, 820 - 822, 850 - 878 : 1 X 4911711103 + 1 X 4988967501 + 1 X 4988967675 + 1 X 4988967554 WITH 2ND HEATED PITOT ASSY OPTION UNDER R.H. WING, ORDER : 4381430576 (13.8 FT) + 4 X 5401458159 ORDER : WITH LOW LEVEL DETECTOR OPTION : 1 X T200 61811001 + 1 X T200 61811103 ONLY STANDARD LABELS ARE SUPPLIED IN THE KIT, ORDER OPTIONAL LABELS (GROUND, ...) ACCORDING TO THE AIRCRAFT EQUIPMENT RPLD BY OPT10 925600		1	NP
30	TB57-20-02-01	...R.H. WING STRUCTURE		1	
40	TB57-20-03-01	...WING ATTACHMENT FITTINGS		1	
50	TB28-40-01-01	...GAGES		1	
60	TB57-50-00-01	..WING FLAPS		1	R
70	TB57-60-00-01	..AILERONS		1	
80	TB27-10-02-01	..ROLL CONTROL IN WINGS		1	
90	TB27-50-04-01	..LINKAGE		1	R

- ITEM NOT ILLUSTRATED

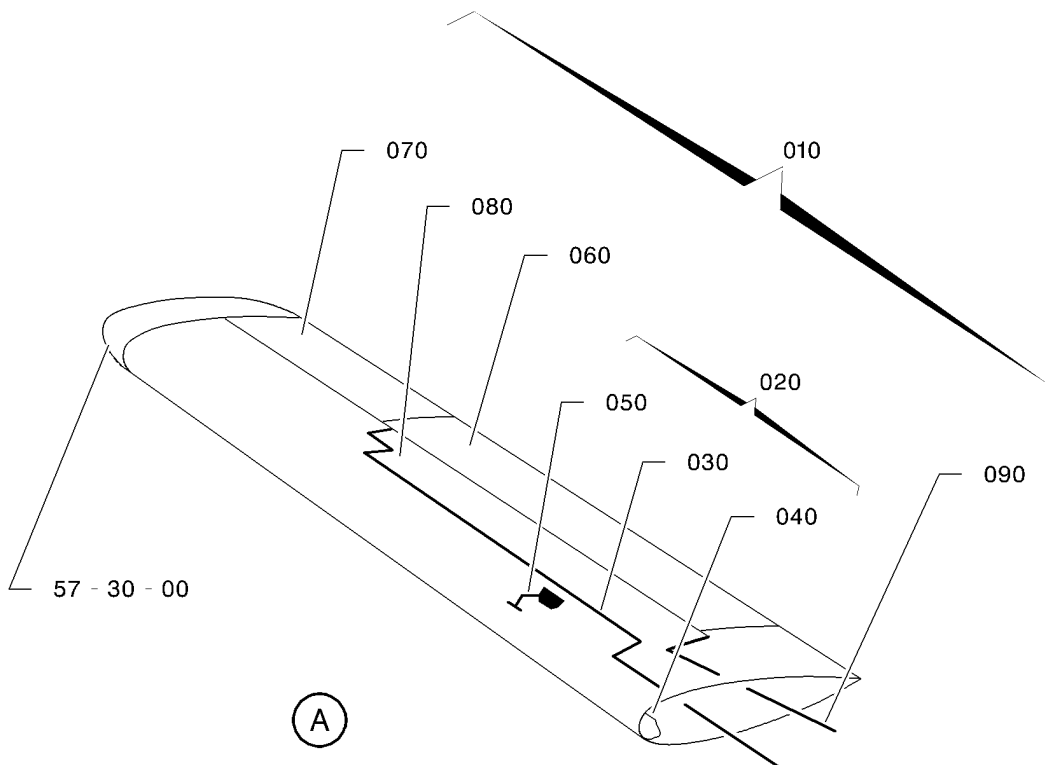
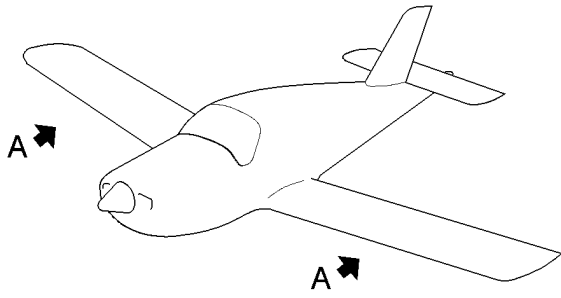
57-20-00

FIG. 2B

PAGE 1

NOV 30/18

S/N 426 - 764, 766 - 803, 805, 806, 809 - 815, 820 - 822, 850 - 878, WITH FUEL TANKS 26.9 U.S. GAL (102 L) FOR TELESCOPIC LEG MLG



14572000AAAAYZ4400

R.H. WING
FIGURE 2C

57-20-00

FIG. 2C

PAGE 0 R

NOV 30/18

S/N 426 - 764, 766 - 822, 850 - 878, WITH FUEL TANKS 20.1 U.S. GAL (76 L) FOR TELESCOPIC LEG MLG

FIG.ITEM	PART NUMBER	1234567 	NOMENCLATURE	EFFECT FROM TO	UNITS PER ASSY	OBS
2C- 1	TF57-20-00-02C-001		R.H. WING		RF	
10	TB09 10000912		.R.H. WING ASSY, EQUIPPED FOR MOD. 171 APPLICATION, REFER TO SB 10-134-28 (KIT OPT10 C866 03)		1	NP
20	TB09 11000003		..R.H. WING STRUCTURE, EQUIPPED ORDER : S/N 426 - 730 : 1 X TB10 52035009 ; S/N 731 - 764, 766 - 822, 850 - 878 : 1 X TB20 52024009 ORDER : S/N 426 - 764, 766 - 822, 850 - 878 : 1 X 4911711103 + 1 X 4988967501 + 1 X 4988967675 + 4988967554 WITH 2ND HEATED PITOT ASSY OPTION UNDER R.H. WING, ORDER : 4381430576 (13.8 FT) + 4 X 5401458159 ORDER : WITH LOW LEVEL DETECTOR OPTION : 1 X T200 61811001 + 1 X T200 61811103 ONLY STANDARD LABELS ARE SUPPLIED IN THE KIT, ORDER OPTIONAL LABELS (GROUND, ...) ACCORDING TO THE AIRCRAFT EQUIPMENT RPLD BY OPT10 925000		1	NP
30	TB57-20-02-01		...R.H. WING STRUCTURE		1	
40	TB57-20-03-01		...WING ATTACHMENT FITTINGS		1	
50	TB28-40-01-01		...GAGES		1	
60	TB57-50-00-01		..WING FLAPS		1	R
70	TB57-60-00-01		..AILERONS		1	
80	TB27-10-02-01		..ROLL CONTROL IN WINGS		1	
90	TB27-50-04-01		..LINKAGE		1	R

- ITEM NOT ILLUSTRATED

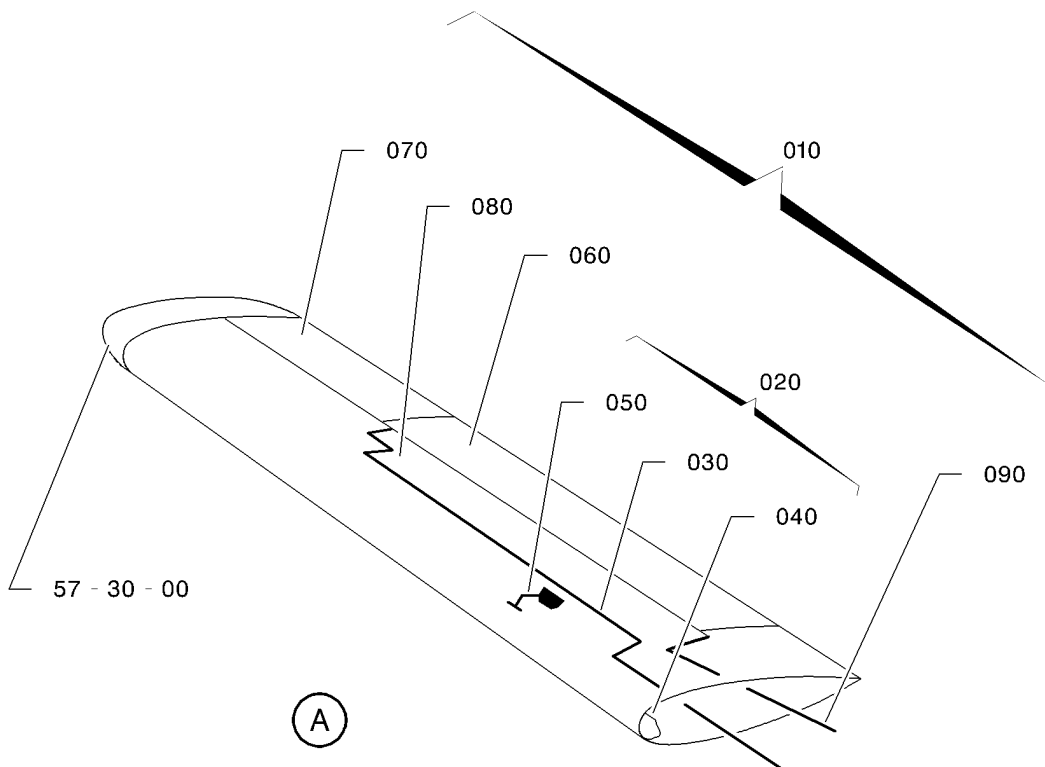
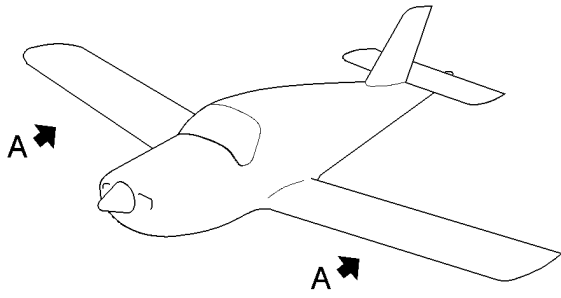
57-20-00

FIG. 2C

PAGE 1

NOV 30/18

S/N 426 - 764, 766 - 822, 850 - 878, WITH FUEL TANKS 20.1 U.S. GAL (76 L) FOR
TELESCOPIC LEG MLG



14572000AAAAAYZ4400

R.H. WING
FIGURE 2D

57-20-00

FIG. 2D

PAGE 0 R

NOV 30/18

S/N 765, 879 - 887, 889 - 947, WITH FUEL TANKS 20.1 U.S. GAL (76 L), FOR TELESCOPIC LEG MLG

FIG. ITEM	PART NUMBER	1234567 	NOMENCLATURE	EFFECT FROM TO	UNITS PER ASSY	OBS
2D- 1	TF57-20-00-02D-001		R.H. WING		RF	
10	TB09 10010912		.R.H. WING ASSY, EQUIPPED FOR MOD. 171 APPLICATION, REFER TO SB 10-134-28 (KIT OPT10 C866 03)		1	NP
20	TB09 11000003		..R.H. WING STRUCTURE, EQUIPPED ORDER : S/N 765, 879 - 887, 889 - 947 : 1 X TB20 52024009 + 1 X 4911711103 + 1 X 4988967501 + 1 X 4988967675 + 1 X 4988967554 WITH 2ND HEATED PITOT ASSY OPTION UNDER R.H. WING, ORDER : 4381430576 (13.8 FT) + 4 X 5401458159 ORDER : WITH LOW LEVEL DETECTOR OPTION : 1 X T200 61811001 + 1 X T200 61811103 ONLY STANDARD LABELS ARE SUPPLIED IN THE KIT, ORDER OPTIONAL LABELS (GROUND, ...) ACCORDING TO THE AIRCRAFT EQUIPMENT RPLD BY OPT10 925000		1	NP
30	TB57-20-02-01		...R.H. WING STRUCTURE		1	
40	TB57-20-03-01		...WING ATTACHMENT FITTINGS		1	
50	TB28-40-01-01		...GAGES		1	
60	TB57-50-00-01		..WING FLAPS		1	R
70	TB57-60-00-01		..AILERONS		1	
80	TB27-10-02-01		..ROLL CONTROL IN WINGS		1	
90	TB27-50-04-01		..LINKAGE		1	R

- ITEM NOT ILLUSTRATED

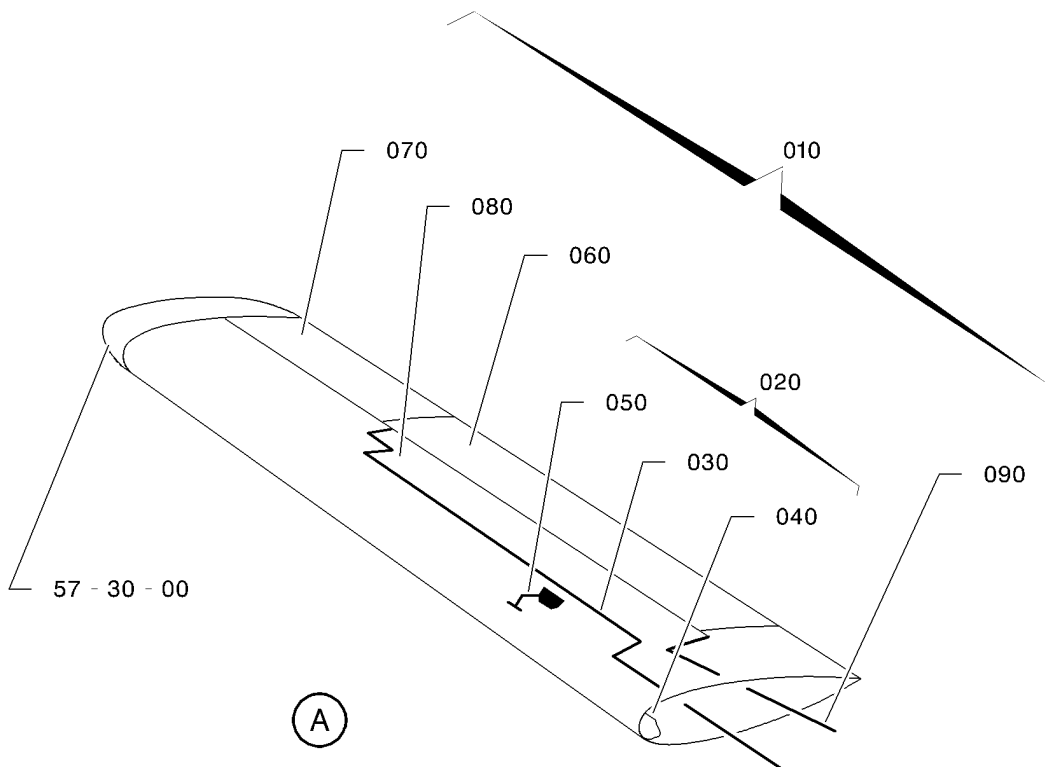
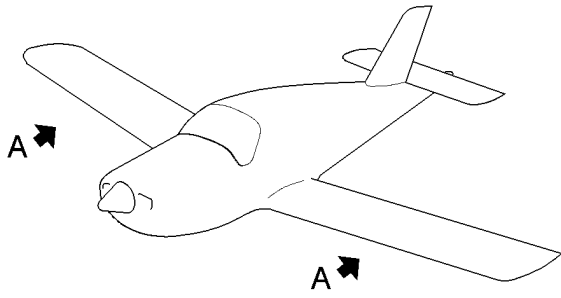
57-20-00

FIG. 2D

PAGE 1

NOV 30/18

S/N 765, 879 - 887, 889 - 947, WITH FUEL TANKS 20.1 U.S. GAL (76 L), FOR TELESCOPIC LEG MLG



I4572000AAAAA YZ4400

R.H. WING
FIGURE 2E

57-20-00

FIG. 2E

PAGE 0 R

NOV 30/18

S/N 823 - 849, 888, 948 - 1842, WITH FUEL TANKS 20.1 U.S. GAL (76 L) FOR TELESCOPIC LEG MLG

FIG. ITEM	PART NUMBER	NOMENCLATURE	EFFECT FROM TO	UNITS PER ASSY	OBS
		1234567 			
2E- 1	TF57-20-00-02E-001	R.H. WING		RF	
10	TB09 10200912	.R.H. WING ASSY, EQUIPPED S/N 823 - 849, 888, 948 - 968, 970 - 1184, 1186 - 1213, 1215 - 1477, 1479 - 1505, 1509 - 1512 FOR MOD. 171 APPLICATION, REFER TO SB 10-134-28 (KIT OPT10 C866 03)		1	NP
- 10A	TB09 10200914	.R.H. WING ASSY, EQUIPPED S/N 969, 1185, 1214, 1478, 1506 - 1508, 1513 - 1842 FOR MOD. 171 APPLICATION, REFER TO SB 10-134-28 (KIT OPT10 C866 03)		1	NP
20	TB09 11000003	.R.H. WING STRUCTURE, EQUIPPED S/N 823 - 849, 888, 948 - 968, 970 - 1184, 1186 - 1213, 1215 - 1477, 1479 - 1505, 1509 - 1512 ORDER : S/N 823 - 1037 : 1 X TB20 52024009 ; S/N 823 - 849, 888, 948 - 1842 : 1 X 4911711103 + 1 X 4988967501 + 1 X 4988967675 + 1 X 4988967554 WITH 2ND HEATED PITOT ASSY OPTION UNDER R.H. WING, ORDER : 4381430576 (13.8 FT) + 4 X 5401458159 ORDER : WITH LOW LEVEL DETECTOR OPTION : 1 X T200 61811001 + 1 X T200 61811103 ONLY STANDARD LABELS ARE SUPPLIED IN THE KIT, ORDER OPTIONAL LABELS (GROUND, ...) ACCORDING TO THE AIRCRAFT EQUIPMENT RPLD BY OPT10 925000		1	NP

- ITEM NOT ILLUSTRATED

57-20-00

FIG. 2E

PAGE 1 R

NOV 30/18

S/N 823 - 849, 888, 948 - 1842, WITH FUEL TANKS 20.1 U.S. GAL (76 L) FOR TELESCOPIC
LEG MLG

FIG. ITEM	PART NUMBER	1234567 	NOMENCLATURE	EFFECT FROM TO	UNITS PER ASSY	OBS
2E- 20A	TB09 11000905		..R.H. WING STRUCTURE, EQUIPPED S/N 969, 1185, 1214, 1478, 1506 - 1508, 1513 - 1842 ORDER : S/N 823 - 1037 : 1 X TB20 52024009 ; S/N 823 - 849, 888, 948 - 1842 : 1 X 4911711103 + 1 X 4988967501 + 1 X 4988967675 + 1 X 4988967554 WITH 2ND HEATED PITOT ASSY OPTION UNDER R.H. WING, ORDER : 4381430576 (13.8 FT) + 4 X 5401458159 ORDER : WITH LOW LEVEL DETECTOR OPTION : 1 X T200 61811001 + 1 X T200 61811103 ONLY STANDARD LABELS ARE SUPPLIED IN THE KIT, ORDER OPTIONAL LABELS (GROUND, ...)) ACCORDING TO THE AIRCRAFT EQUIPMENT RPLD BY OPT10 925000		1	NP
30	TB57-20-02-01		...R.H. WING STRUCTURE		1	
40	TB57-20-03-01		...WING ATTACHMENT FITTINGS		1	
50	TB28-40-01-01		...GAGES		1	
60	TB57-50-00-01		..WING FLAPS		1	R
70	TB57-60-00-01		..AILERONS		1	
80	TB27-10-02-01		..ROLL CONTROL IN WINGS		1	
90	TB27-50-04-01		..LINKAGE		1	R

- ITEM NOT ILLUSTRATED

57-20-00

FIG. 2E

PAGE 2

NOV 30/18

S/N 823 - 849, 888, 948 - 1842, WITH FUEL TANKS 20.1 U.S. GAL (76 L) FOR TELESCOPIC
LEG MLG

PAGE INTENTIONALLY BLANK

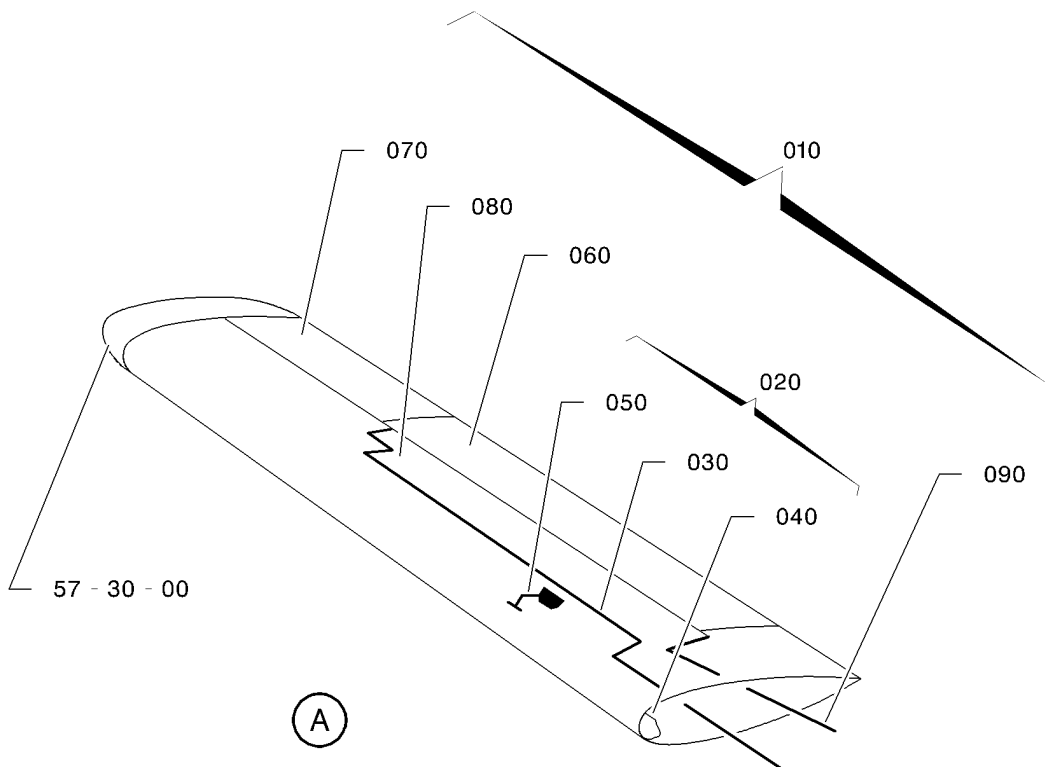
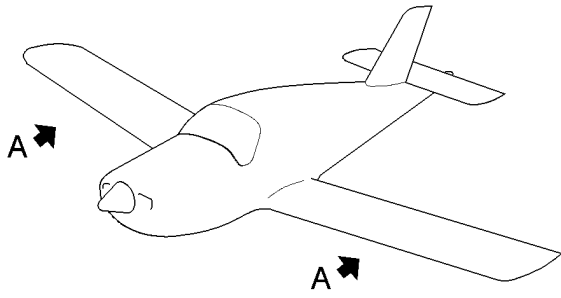
57-20-00

FIG. 2E

PAGE 3 R

NOV 30/18

S/N 823 - 849, 888, 948 - 1842, WITH FUEL TANKS 20.1 U.S. GAL (76 L) FOR TELESCOPIC
LEG MLG



14572000AAAAAYZ4400

R.H. WING
FIGURE 2F

57-20-00

FIG. 2F
PAGE 0 R

S/N 1843 - 9999 WITH FUEL TANKS 20.1 U.S. GAL (76 L) FOR TELESCOPIC LEG MLG

NOV 30/18

FIG.ITEM	PART NUMBER	1234567 	NOMENCLATURE	EFFECT FROM TO	UNITS PER ASSY	OBS
2F- 1	TF57-20-00-02F-001		R.H. WING		RF	
10	TB09 1000001001		.R.H. WING ASSY, EQUIPPED FOR MOD. 171 APPLICATION, REFER TO SB 10-134-28 (KIT OPT10 C866 03)		1	NP
20	TB09 1100000701		..R.H. WING STRUCTURE, EQUIPPED ORDER : S/N 1843 - 9999 : 1 X 4911711103 + 1 X 4988967501 + 1 X 4988967675 + 1 X 4988967554 WITH 2ND HEATED PITOT ASSY OPTION UNDER R.H. WING, ORDER : 4381430576 (13.8 FT) + 4 X 5401458159 ORDER : WITH LOW LEVEL DETECTOR OPTION : 1 X T200 61811001 + 1 X T200 61811103 ONLY STANDARD LABELS ARE SUPPLIED IN THE KIT, ORDER OPTIONAL LABELS (GROUND, ...) ACCORDING TO THE AIRCRAFT EQUIPMENT RPLD BY OPT10 925000		1	NP
30	TB57-20-02-01		...R.H. WING STRUCTURE		1	
40	TB57-20-03-01		...WING ATTACHMENT FITTINGS		1	
50	TB28-40-01-01		...GAGES		1	
60	TB57-50-00-01		..WING FLAPS		1	R
70	TB57-60-00-01		..AILERONS		1	
80	TB27-10-02-01		..ROLL CONTROL IN WINGS		1	
90	TB27-50-04-01		..LINKAGE		1	R

- ITEM NOT ILLUSTRATED

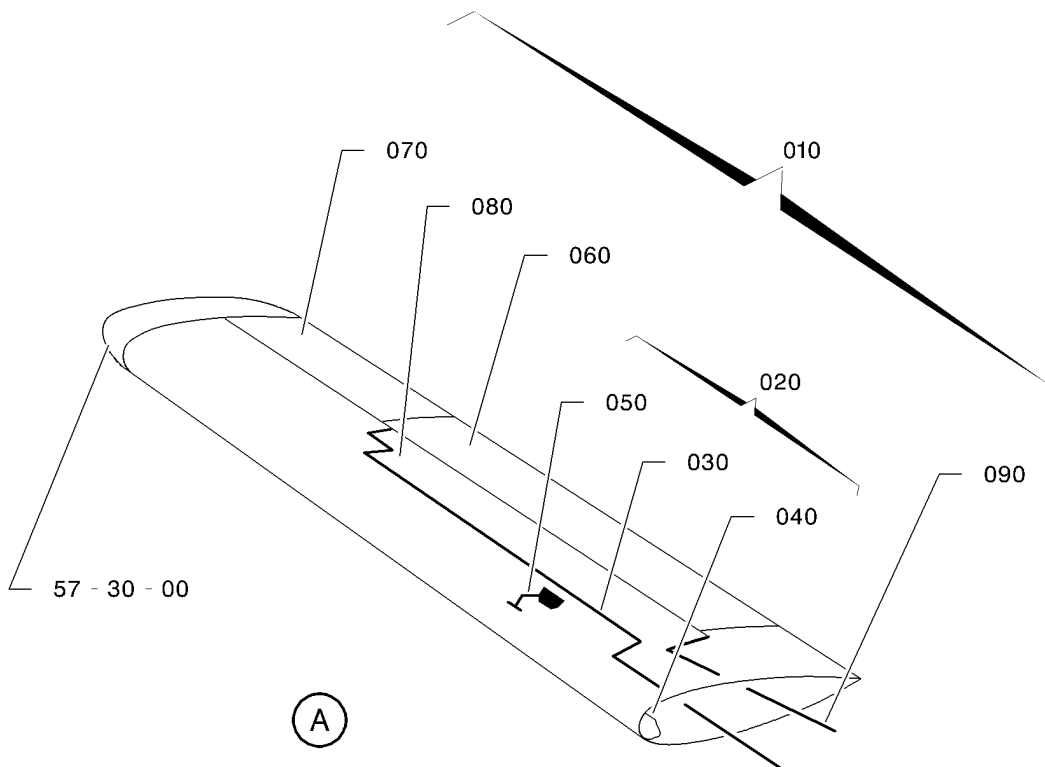
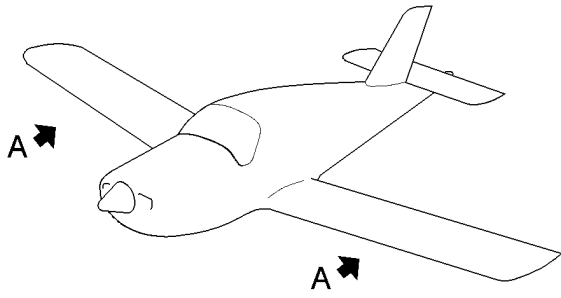
57-20-00

FIG. 2F

PAGE 1

NOV 30/18

S/N 1843 - 9999 WITH FUEL TANKS 20.1 U.S. GAL (76 L) FOR TELESCOPIC LEG MLG



14572000AAAAAYZ4400

R.H. WING
FIGURE 2G

57-20-00

FIG. 2G

PAGE 0 R

NOV 30/18

FIG. ITEM	PART NUMBER	NOMENCLATURE	EFFECT FROM TO	UNITS PER ASSY	OBS
		1234567 			
2G- 1	TF57-20-00-02G-001	R.H. WING		RF	
10	TB09 1005000201	.R.H. WING ASSY, EQUIPPED S/N 1185, 1633, 1793, 1794, 1798, 1806, 1807, 1819 FOR MOD. 171 APPLICATION, REFER TO SB 10-134-28 (KIT OPT10 C866 03)		1	NP
- 10A	TB09 1005000801	.R.H. WING ASSY, EQUIPPED S/N 1851 - 1853, 1869 - 1900 FOR MOD. 171 APPLICATION, REFER TO SB 10-134-28 (KIT OPT10 C866 03)		1	NP
- 10B	TB09 1005000510	.R.H. WING ASSY, EQUIPPED S/N 1901 - 9999 FOR MOD. 171 APPLICATION, REFER TO SB 10-134-28 (KIT OPT10 C866 03)		1	NP
20	TB09 1100800101	.R.H. WING STRUCTURE, EQUIPPED S/N 1185, 1633, 1793, 1794, 1798, 1806, 1807, 1819 ORDER : S/N 1185, 1633, 1793, 1794, 1798, 1806, 1807, 1819, 1851 - 1853, 1869 - 9999 : 1 X 4911711103 + 1 X 4988967501 + 1 X 4988967675 + 1 X 4988967554 WITH 2ND HEATED PITOT ASSY OPTION UNDER R.H. WING, ORDER : 4381430576 (13.8 FT) + 4 X 5401458159 ORDER : WITH LOW LEVEL DETECTOR OPTION : 1 X T200 61811001 + 1 X T200 61811103 ONLY STANDARD LABELS ARE SUPPLIED IN THE KIT, ORDER OPTIONAL LABELS (GROUND, ...) ACCORDING TO THE AIRCRAFT EQUIPMENT RPLD BY OPT10 925200		1	NP

- ITEM NOT ILLUSTRATED

57-20-00

FIG. 2G

PAGE 1 R

NOV 30/18

WITH FUEL TANKS 20.1 U.S. GAL (76 L), FOR TRAILING ARM MLG, PRE-MOD. 151

FIG. ITEM	PART NUMBER	1234567 	NOMENCLATURE	EFFECT FROM TO	UNITS PER ASSY	OBS
2G- 20A	TB09 1100800550		..R.H. WING STRUCTURE, EQUIPPED S/N 1851 - 1853, 1869 - 1900 ORDER : S/N 1185, 1633, 1793, 1794, 1798, 1806, 1807, 1819, 1851 - 1853, 1869 - 9999 : 1 X 4911711103 + 1 X 4988967501 + 1 X 4988967675 + 1 X 4988967554 WITH 2ND HEATED PITOT ASSY OPTION UNDER R.H. WING, ORDER : 4381430576 (13.8 FT) + 4 X 5401458159 ORDER : WITH LOW LEVEL DETECTOR OPTION : 1 X T200 61811001 + 1 X T200 61811103 ONLY STANDARD LABELS ARE SUPPLIED IN THE KIT, ORDER OPTIONAL LABELS (GROUND, ...) ACCORDING TO THE AIRCRAFT EQUIPMENT RPLD BY OPT10 925200		1	NP
- 20B	TB09 1100800350		..R.H. WING STRUCTURE, EQUIPPED S/N 1901 - 9999 ORDER : S/N 1185, 1633, 1793, 1794, 1798, 1806, 1807, 1819, 1851 - 1853, 1869 - 9999 : 1 X 4911711103 + 1 X 4988967501 + 1 X 4988967675 + 1 X 4988967554 WITH 2ND HEATED PITOT ASSY OPTION UNDER R.H. WING, ORDER : 4381430576 (13.8 FT) + 4 X 5401458159 ORDER : WITH LOW LEVEL DETECTOR OPTION : 1 X T200 61811001 + 1 X T200 61811103 ONLY STANDARD LABELS ARE SUPPLIED IN THE KIT, ORDER OPTIONAL LABELS (GROUND, ...) ACCORDING TO THE AIRCRAFT EQUIPMENT RPLD BY OPT10 925200		1	NP
30	TB57-20-02-01		...R.H. WING STRUCTURE		1	
40	TB57-20-03-01		...WING ATTACHMENT FITTINGS		1	
50	TB28-40-01-01		...GAGES		1	
60	TB57-50-00-01		..WING FLAPS		1	R
70	TB57-60-00-01		..AILERONS		1	
80	TB27-10-02-01		..ROLL CONTROL IN WINGS		1	
90	TB27-50-04-01		..LINKAGE		1	R

- ITEM NOT ILLUSTRATED

57-20-00

FIG. 2G

PAGE 2

NOV 30/18

PAGE INTENTIONALLY BLANK

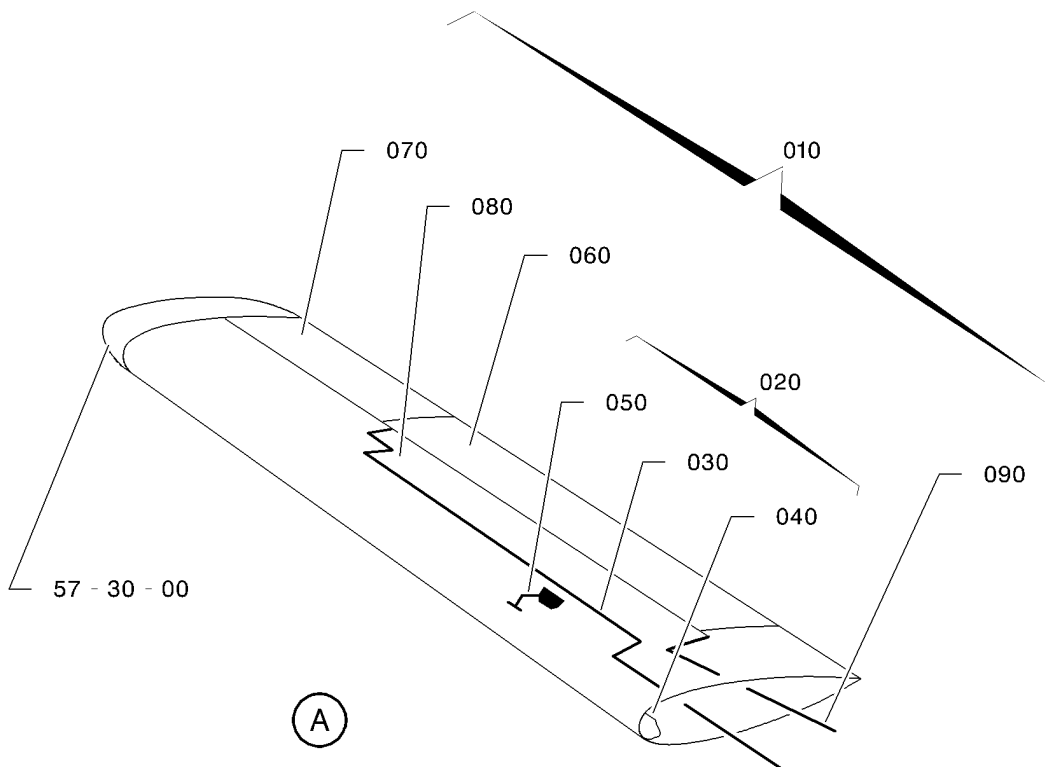
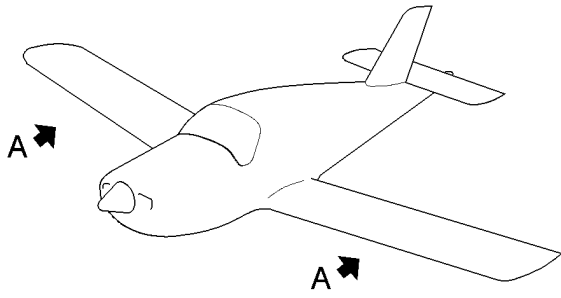
57-20-00

FIG. 2G

PAGE 3 R

NOV 30/18

WITH FUEL TANKS 20.1 U.S. GAL (76 L), FOR TRAILING ARM MLG, PRE-MOD. 151



14572000AAAAAYZ4400

R.H. WING
FIGURE 2H

57-20-00

FIG. 2H

PAGE 0 R

NOV 30/18

WITH FUEL TANKS 20.1 U.S. GAL (76 L), FOR TRAILING ARM MLG POST-MOD. 151, PRE-MOD. 140 AND MOD. 152

FIG.ITEM	PART NUMBER	1234567 	NOMENCLATURE	EFFECT FROM TO	UNITS PER ASSY	OBS
2H- 1	TF57-20-00-02H-001		R.H. WING		RF	
10	TB09 1005001110		.R.H. WING ASSY EQUIPPED		1	NP
20	TB09 1100800710		..R.H. WING STRUCTURE, EQUIPPED		1	NP
30	TB57-20-02-01		...R.H. WING STRUCTURE		1	
40	TB57-20-03-01		...WING ATTACHMENT FITTINGS		1	
50	TB28-40-01-01		...GAGES		1	
60	TB57-50-00-01		..WING FLAPS		1	R
70	TB57-60-00-01		..AILERONS		1	
80	TB27-10-02-01		..ROLL CONTROL IN WINGS		1	
90	TB27-50-04-01		..LINKAGE		1	R

- ITEM NOT ILLUSTRATED

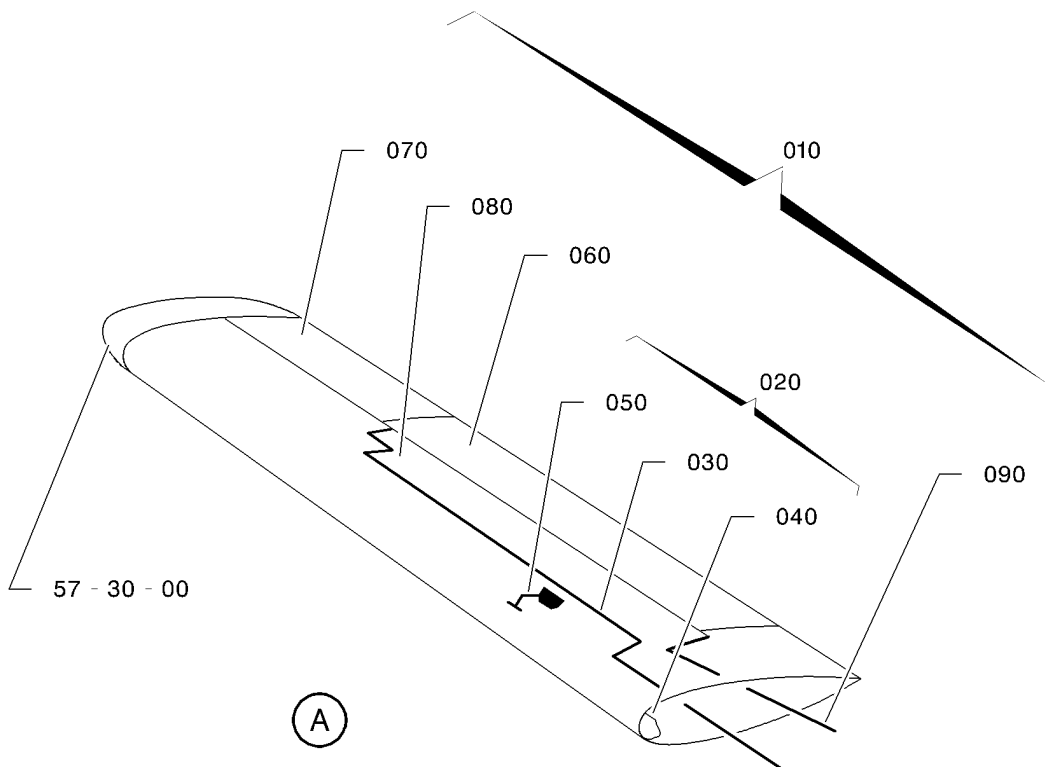
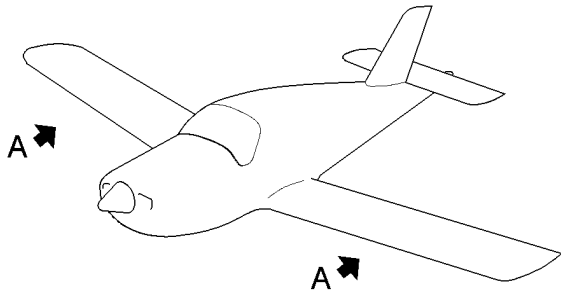
57-20-00

FIG. 2H

PAGE 1

NOV 30/18

WITH FUEL TANKS 20.1 U.S. GAL (76 L), FOR TRAILING ARM MLG POST-MOD. 151, PRE-MOD. 140 AND MOD. 152



14572000AAAAAYZ4400

R.H. WING
FIGURE 2J

57-20-00

FIG. 2J

PAGE 0 R

NOV 30/18

WITH FUEL TANKS 20.1 U.S. GAL (76 L), FOR TRAILING ARM MLG, POST-MOD. 151, MOD. 140 AND MOD. 152

FIG.ITEM	PART NUMBER	NOMENCLATURE		EFFECT FROM TO	UNITS PER ASSY	OBS
		1234567 				
2J- 1	TF57-20-00-02J-001		R.H. WING		RF	
10	TB09 1000100210		.R.H. WING ASSY, EQUIPPED		1	NP
20	TB09 1100200110		..R.H. WING STRUCTURE, EQUIPPED		1	NP
30	TB57-20-02-01		...R.H. WING STRUCTURE		1	
40	TB57-20-03-01		...WING ATTACHMENT FITTINGS		1	
50	TB28-40-01-01		...GAGES		1	
60	TB57-50-00-01		..WING FLAPS		1	R
70	TB57-60-00-01		..AILERONS		1	
80	TB27-10-02-01		..ROLL CONTROL IN WINGS		1	
90	TB27-50-04-01		..LINKAGE		1	R

- ITEM NOT ILLUSTRATED

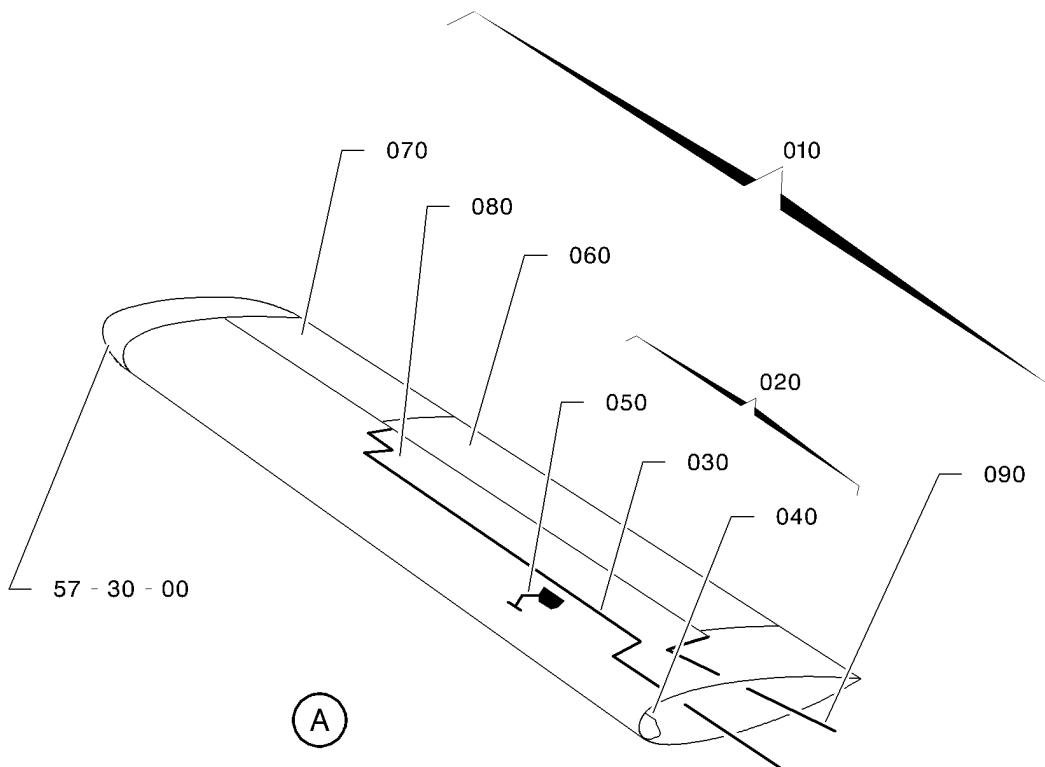
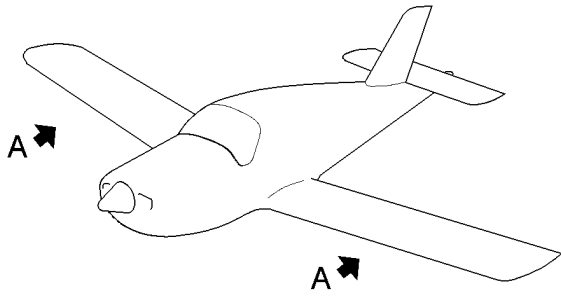
57-20-00

FIG. 2J

PAGE 1

NOV 30/18

WITH FUEL TANKS 20.1 U.S. GAL (76 L), FOR TRAILING ARM MLG, POST-MOD. 151, MOD. 140 AND MOD. 152



14572000AAAAAYZ4400

R.H. WING
FIGURE 2N

57-20-00

FIG. 2N

PAGE 0 R

NOV 30/18

WITH FUEL TANKS 20.1 U.S. GAL (76 L), FOR TRAILING ARM MLG, POST-MOD. 151 AND MOD. 140, PRE-MOD. 152

FIG.ITEM	PART NUMBER	NOMENCLATURE					EFFECT FROM TO	UNITS PER ASSY	OBS
		1	2	3	4	5			
2N- 1	TF57-20-00-02N-001	R.H. WING					RF		R
10	TB09 1005001410	.R.H. WING ASSY, EQUIPPED					1	NP	
20	TB09 1100800711	..R.H. WING STRUCTURE, EQUIPPED					1	NP	
30	TB57-20-02-01	...R.H. WING STRUCTURE					1		
40	TB57-20-03-01	...WING ATTACHMENT FITTINGS					1		
50	TB28-40-01-01	...GAGES					1		
60	TB57-50-00-01	..WING FLAPS					1		R
70	TB57-60-00-01	..AILERONS					1		
80	TB27-10-02-01	..ROLL CONTROL IN WINGS					1		
90	TB27-50-04-01	..LINKAGE					1		R

- ITEM NOT ILLUSTRATED

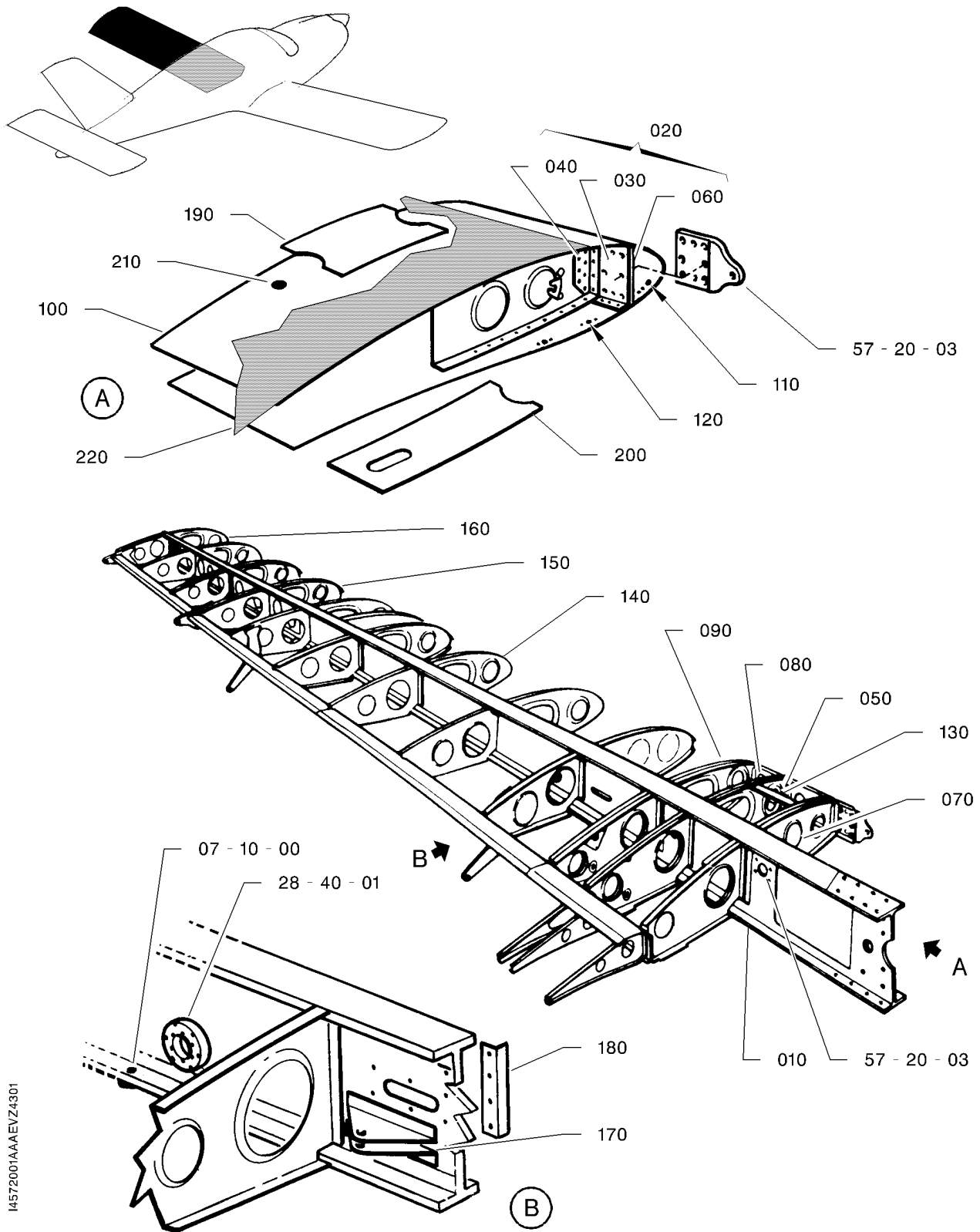
57-20-00

FIG. 2N

PAGE 1

NOV 30/18

WITH FUEL TANKS 20.1 U.S. GAL (76 L), FOR TRAILING ARM MLG, POST-MOD. 151 AND MOD. 140, PRE-MOD. 152



L.H. WING STRUCTURE - LEADING EDGE
FIGURE 1

57-20-01

FIG. 1
PAGE 0 R

NOV 30/18

S/N 1 - 764, 766 - 878, WITH FUEL TANKS 26.9 U.S. GAL (102 L) FOR TELESCOPIC LEG MLG

14572001AAAEEVZ4301

FIG.ITEM	PART NUMBER	NOMENCLATURE	EFFECT FROM TO	UNITS PER ASSY	OBS
		1234567 			
1 - 1	TF57-20-01-01-001	L.H. WING STRUCTURE - LEADING EDGE		RF	
10	TB10 11011100	.L.H. SPAR		1	NP
20	TB10 11000004	.L.H. SMALL SPAR ASSY CAUTION : FOR REPAIR, REFER TO SB 10-081-57		1	
30	TB10 11000101	..L.H. SMALL SPAR		1	OR
40	TB10 11000105	..ANGLE BRACKET		2	OR
50	TB10 11000106	..ANGLE BRACKET		2	OR
60	TB10 11000103	..REINFORCEMENT PLATE		1	OR
70	TB10 11016000	..WING ROOT RIB ASSY		1	
80	TB10 11000008	.LEADING EDGE RIB ASSY		1	
90	TB10 11000006	.LEADING EGDE RIB ASSY		1	
100	TB10 11000115	.L.H. WING ROOT SKIN S/N 1 - 764, 766 - 803, 805, 806, 809 - 815, 820 - 822		1	NP
-100A	TB10 11009143	.L.H. WING ROOT SKIN S/N 804, 807, 808, 816 - 819, 823 - 878		1	
110	5431218040	.ANCHOR NUT, ONE LUG OPT TO 4SR2009M MADE BY VF0224 RPLD BY 5435218040		1	R
-110A	5435218040	.ANCHOR NUT, ONE LUG, FLOATING RPLS 5431218040		1	
120	5421218040	.ANCHOR NUT, TWO LUG OPT TO 4SR1009M MADE BY VF0224 RPLD BY 5425218040		5	R
-120A	5425218040	.ANCHOR NUT, TWO LUG, FLOATING OPT TO 4SF5009M MADE BY VF0224 RPLS 5421218040		5	R
130	TB10 11000180	.STIFFENER		1	
140	TB10 11012104	.LEADING EDGE RIB		1	
150	TB10 11012105	.LEADING EDGE RIB		1	
160	TB10 11012104	.LEADING EDGE RIB		1	
170	TB10 17010106	.SUPPORT BRACKET		2	OR
180	TB10 17010107	.STIFFENER BRACKET		1	OR
190	TB10 11001102	.LOWER SURFACE REINFORCEMENT PLATE S/N 1 - 764, 766 - 803, 805, 806, 809 - 815, 820 - 822		1	
-190A	TB10 11026113	.LOWER SURFACE REINFORCEMENT PLATE S/N 804, 807, 808, 816 - 819, 823 - 878		1	R
200	TB10 11001101	.UPPER SURFACE REINFORCEMENT PLATE S/N 1 - 764, 766 - 803, 805, 806, 809 - 815, 820 - 822		1	
-200A	TB10 11026114	.UPPER SURFACE REINFORCEMENT PLATE S/N 804, 807, 808, 816 - 819, 823 - 878		1	OR R

- ITEM NOT ILLUSTRATED

57-20-01

FIG. 1

PAGE 1

NOV 30/18

S/N 1 - 764, 766 - 878, WITH FUEL TANKS 26.9 U.S. GAL (102 L) FOR TELESCOPIC LEG MLG

FIG.ITEM	PART NUMBER	1234567 	NOMENCLATURE	EFFECT FROM TO	UNITS PER ASSY	OBS
1 210	7640010000		.BLANKING PLUG FOR DIA. 24 S/N 1 - 764, 766 - 799		1	
-210A	7640012713		.BLACK BLANKING CAP S/N 800 - 878		1	R
220	4299501101		.ANTI-SLIP SKIN		AR	

- ITEM NOT ILLUSTRATED

57-20-01

FIG. 1

PAGE 2

NOV 30/18

S/N 1 - 764, 766 - 878, WITH FUEL TANKS 26.9 U.S. GAL (102 L) FOR TELESCOPIC LEG MLG

PAGE INTENTIONALLY BLANK

57-20-01

FIG. 1

PAGE 3 R

NOV 30/18

S/N 1 - 764, 766 - 878, WITH FUEL TANKS 26.9 U.S. GAL (102 L) FOR TELESCOPIC LEG MLG

FIG. ITEM	PART NUMBER	NOMENCLATURE	EFFECT FROM TO	UNITS PER ASSY	OBS
		1234567 			
1A- 1	TF57-20-01-01A-001	L.H. WING STRUCTURE - LEADING EDGE		RF	
10	TB09 11011100	.L.H. SPAR		1	NP
20	TB10 11000004	.L.H. SMALL SPAR ASSY CAUTION : FOR REPAIR, REFER TO SB 10-081-57		1	
30	TB10 11000101	..L.H. SMALL SPAR		1	OR
40	TB10 11000105	..ANGLE BRACKET		2	OR
50	TB10 11000106	..ANGLE BRACKET		2	OR
60	TB10 11000103	..REINFORCEMENT PLATE		1	OR
70	TB10 11016000	..WING ROOT RIB ASSY		1	
80	TB10 11000008	.LEADING EDGE RIB ASSY		1	
90	TB10 11000006	.LEADING EGDE RIB ASSY		1	
100	TB10 11000115	.L.H. WING ROOT SKIN		1	NP
110	5431218040	.ANCHOR NUT, ONE LUG OPT TO 4SR2009M MADE BY VF0224 RPLD BY 5435218040		1	R
-110A	5435218040	.ANCHOR NUT, ONE LUG, FLOATING RPLS 5431218040		1	
120	5421218040	.ANCHOR NUT, TWO LUG OPT TO 4SR1009M MADE BY VF0224 RPLD BY 5425218040		5	R
-120A	5425218040	.ANCHOR NUT, TWO LUG, VF0224 FLOATING OPT TO 4SF5009M MADE BY VF0224 RPLS 5421218040		5	
130	TB10 11000180	.STIFFENER		1	
140	TB10 11012104	.LEADING EDGE RIB		1	
150	TB10 11012105	.LEADING EDGE RIB		1	
160	TB10 11012104	.LEADING EDGE RIB		1	
170	TB10 17010106	.SUPPORT BRACKET		2	OR
180	TB10 17010107	.STIFFENER BRACKET		1	OR
190	TB10 11001101	.UPPER SURFACE REINFORCEMENT PLATE		1	
200	TB10 11001102	.LOWER SURFACE REINFORCEMENT PLATE		1	
210	7640010000	.BLANKING PLUG FOR DIA. 24 S/N 1 - 799		1	
-210A	7640012713	.BLACK BLANKING CAP S/N 800 - 1037		1	
220	4299501101	.ANTI-SLIP SKIN		AR	

- ITEM NOT ILLUSTRATED

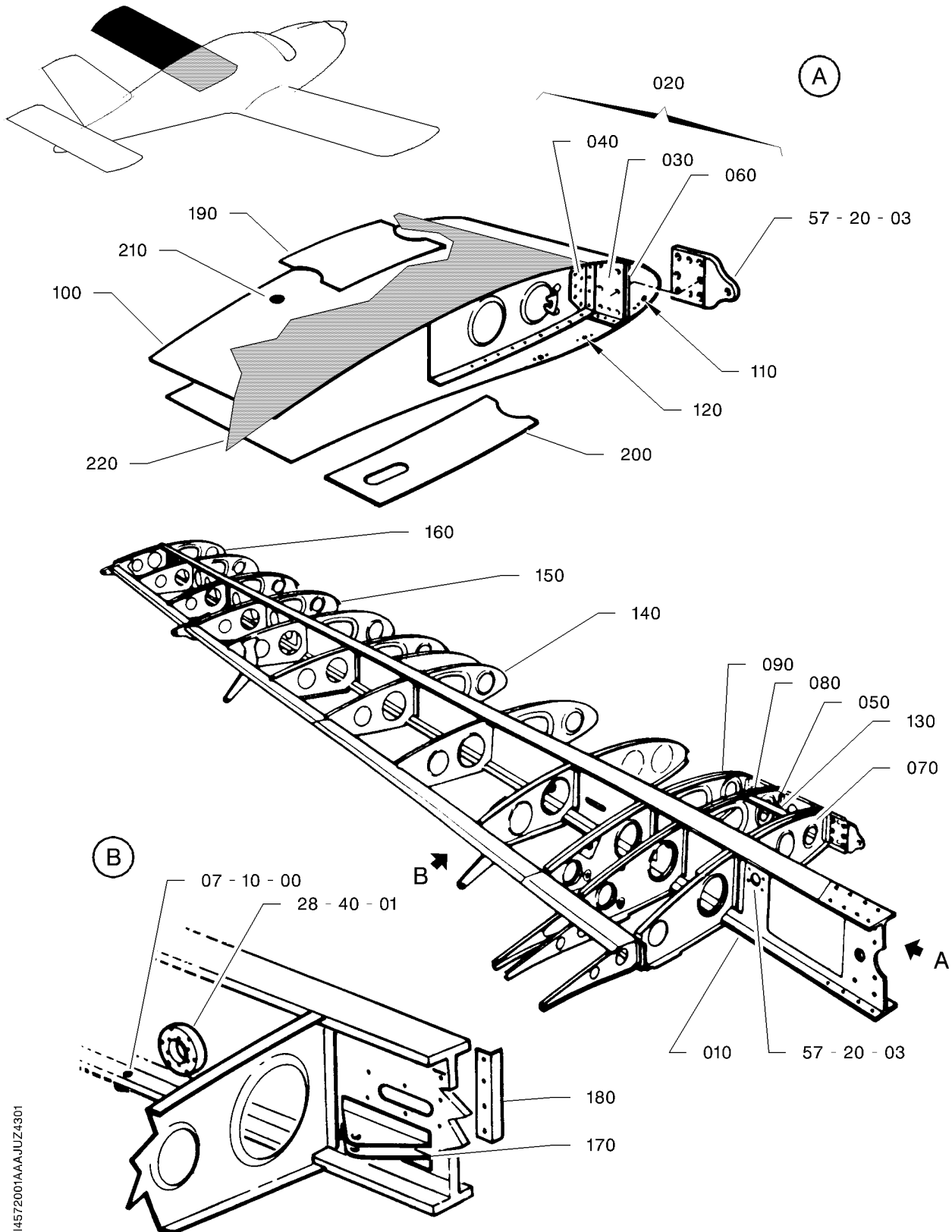
57-20-01

FIG. 1A

PAGE 1

NOV 30/18

S/N 1 - 1037 WITH FUEL TANKS 20.1 U.S. GAL (76 L) FOR TELESCOPIC LEG MLG



L.H. WING STRUCTURE - LEADING EDGE
FIGURE 1B

57-20-01

FIG. 1B

PAGE 0 R

NOV 30/18

14572001AAAUIJZ4301

FIG. ITEM	PART NUMBER	NOMENCLATURE	EFFECT FROM TO	UNITS PER ASSY	OBS
		1234567 			
1B- 1	TF57-20-01-01B-001	L.H. WING STRUCTURE - LEADING EDGE		RF	R
10	TB09 11011100	.L.H. SPAR		1	NP
20	TB10 11000004	.L.H. SMALL SPAR ASSY CAUTION : FOR REPAIR, REFER TO SB 10-081-57		1	
30	TB10 11000101	..L.H. SMALL SPAR		1	OR
40	TB10 11000105	..ANGLE BRACKET		2	OR
50	TB10 11000106	..ANGLE BRACKET		2	OR
60	TB10 11000103	..REINFORCEMENT PLATE		1	OR
70	TB10 11016000	..WING ROOT RIB ASSY		1	
80	TB10 11000008	.LEADING EDGE RIB ASSY		1	
90	TB10 11000006	.LEADING EGDE RIB ASSY		1	
100	TB10 11000115	.L.H. WING ROOT SKIN		1	NP
110	5431218040	.ANCHOR NUT, ONE LUG OPT TO 4SR2009M MADE BY VF0224 RPLD BY 5435218040		1	R
-110A	5435218040	.ANCHOR NUT, ONE LUG, FLOATING RPLS 5431218040		1	
120	5421218040	.ANCHOR NUT, TWO LUG OPT TO 4SR1009M MADE BY VF0224 RPLD BY 5425218040		5	R
-120A	5425218040	.ANCHOR NUT, TWO LUG, VF0224 FLOATING OPT TO 4SF5009M MADE BY VF0224 RPLS 5421218040		5	
130	TB10 11000180	.STIFFENER		1	
140	TB10 11012110	.LEADING EDGE RIB		1	
150	TB10 11012111	.LEADING EDGE RIB		1	
160	TB10 11012110	.LEADING EDGE RIB		1	
170	TB10 17010106	.SUPPORT BRACKET		2	OR
180	TB10 17010107	.STIFFENER BRACKET		1	OR
190	TB10 11001101	.UPPER SURFACE REINFORCEMENT PLATE		1	
200	TB10 11001102	.LOWER SURFACE REINFORCEMENT PLATE		1	
210	7640012713	.BLACK BLANKING CAP		1	
220	4299501101	.ANTI-SLIP SKIN		AR	

- ITEM NOT ILLUSTRATED

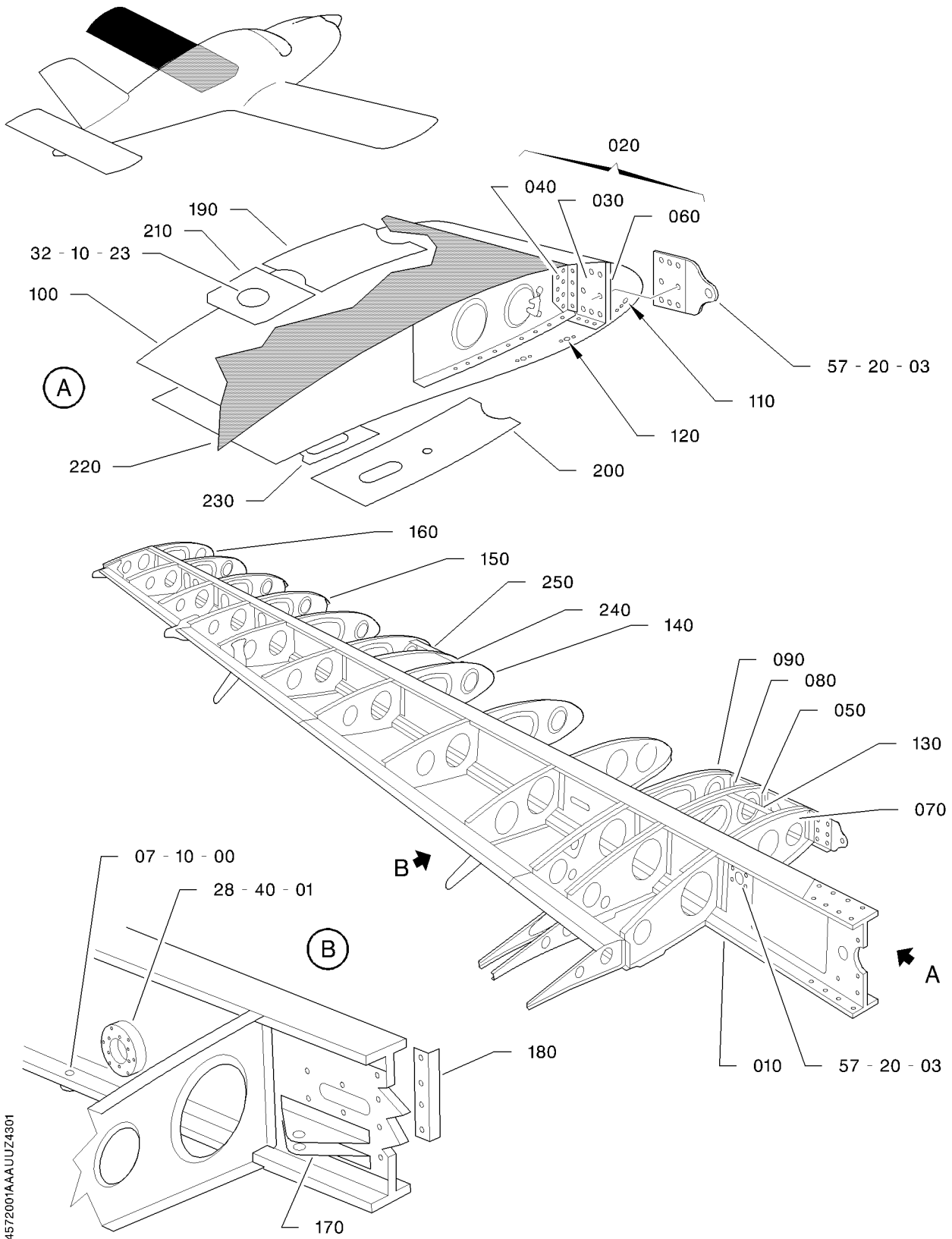
57-20-01

FIG. 1B

PAGE 1

NOV 30/18

S/N 1038 - 9999 WITH FUEL TANKS 20.1 U.S. GAL (76 L) FOR TELESCOPIC LEG MLG



L.H. WING STRUCTURE - LEADING EDGE
FIGURE 1C

57-20-01

FIG. 1C

PAGE 0 R

NOV 30/18

14572001AAUUZ4301

FIG.ITEM	PART NUMBER	NOMENCLATURE	EFFECT FROM TO	UNITS PER ASSY	OBS
		1234567 			
1C- 1	TF57-20-01-01C-001	L.H. WING STRUCTURE - LEADING EDGE		RF	
10	TB09 11011100	.L.H. SPAR		1	NP
20	TB10 11000004	.L.H. SMALL SPAR ASSY CAUTION : FOR REPAIR, REFER TO SB 10-081-57		1	
30	TB10 11000101	..L.H. SMALL SPAR		1	OR
40	TB10 11000105	..ANGLE BRACKET		2	OR
50	TB10 11000106	..ANGLE BRACKET		2	OR
60	TB10 11000103	..REINFORCEMENT PLATE		1	OR
70	TB10 11016000	..WING ROOT RIB ASSY		1	
80	TB10 11000008	.LEADING EDGE RIB ASSY		1	
90	TB10 11000006	.LEADING EGDE RIB ASSY		1	
100	TB09 11008106	.L.H. WING ROOT SKIN		1	
110	5435218040	.ANCHOR NUT, ONE LUG, FLOATING		1	
120	5425218040	.ANCHOR NUT, TWO LUG, VF0224 FLOATING OPT TO 4SF5009M MADE BY VF0224		5	
130	TB10 11000180	.STIFFENER		1	
140	TB10 11012110	.LEADING EDGE RIB		1	
150	TB10 11012111	.LEADING EDGE RIB		1	
160	TB10 11012110	.LEADING EDGE RIB		1	
170	TB10 17010106	.SUPPORT BRACKET		2	OR
180	TB10 17010107	.STIFFENER BRACKET		1	OR
190	TB10 11001101	.UPPER SURFACE REINFORCEMENT PLATE		1	
200	TB09 11009101	.LOWER SURFACE REINFORCEMENT PLATE		1	OR
210	TB10 11071100	.UPPER SURFACE REINFORCEMENT PLATE		1	
220	4299501101	.ANTI-SLIP SKIN		AR	
230	TB09 11009100	.SHIM		1	
240	TB10 0932511300	.STIFFENER		1	
250	TB10 0932511500	.STIFFENER		1	

- ITEM NOT ILLUSTRATED

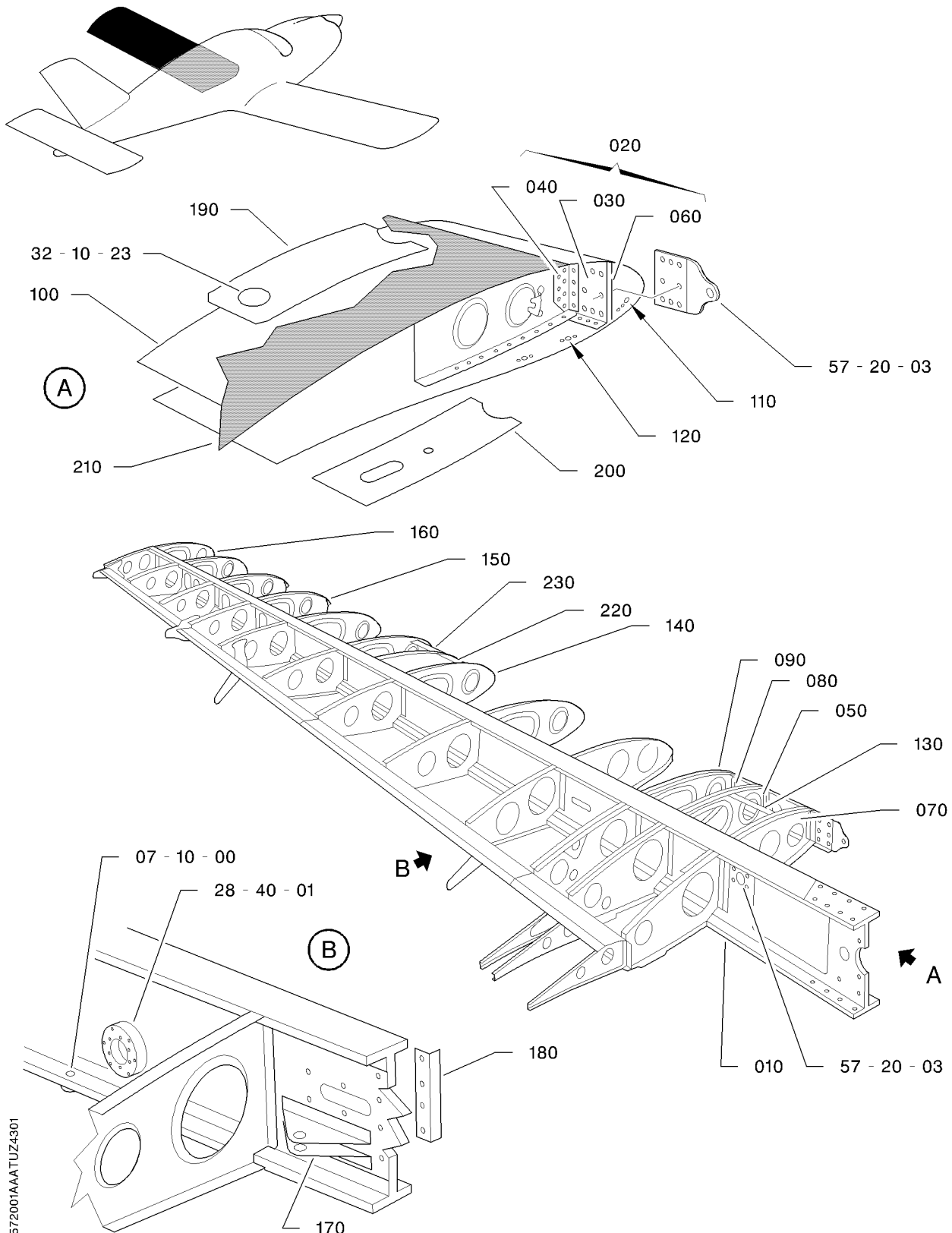
57-20-01

FIG. 1C

PAGE 1

NOV 30/18

FOR TRAILING ARM MLG WITH KIT OPT10 922100



L.H. WING STRUCTURE - LEADING EDGE
FIGURE 1D

57-20-01

FIG. 1D

PAGE 0 R

NOV 30/18

FIG.ITEM	PART NUMBER	NOMENCLATURE		EFFECT FROM TO	UNITS PER ASSY	OBS
		1234567 				
1D- 1	TF57-20-01-01D-001		L.H. WING STRUCTURE - LEADING EDGE		RF	
10	TB09 11011100		.L.H. SPAR PRE-MOD. 152		1	NP
- 10A	TB10 1104110010		.L.H. SPAR POST-MOD. 152		1	NP
20	TB10 11000004		.L.H. SMALL SPAR ASSY CAUTION : FOR REPAIR, REFER TO SB 10-081-57		1	
30	TB10 11000101		..L.H. SMALL SPAR		1	OR
40	TB10 11000105		..ANGLE BRACKET		2	OR
50	TB10 11000106		..ANGLE BRACKET		2	OR
60	TB10 11000103		..REINFORCEMENT PLATE		1	OR
70	TB10 11016000		..WING ROOT RIB ASSY		1	
80	TB10 11000008		.LEADING EDGE RIB ASSY		1	
90	TB10 11000006		.LEADING EGDE RIB ASSY		1	
100	TB10 11009240		.L.H. WING ROOT SKIN		1	
110	5435218040		.ANCHOR NUT, ONE LUG, FLOATING		1	
120	5425218040		.ANCHOR NUT, TWO LUG, VF0224 FLOATING OPT TO 4SF5009M MADE BY VF0224		5	
130	TB10 11000180		.STIFFENER		1	
140	TB10 11012110		.LEADING EDGE RIB		1	
150	TB10 11012111		.LEADING EDGE RIB		1	
160	TB10 11012110		.LEADING EDGE RIB		1	
170	TB10 17010106		.SUPPORT BRACKET		2	OR
180	TB10 17010107		.STIFFENER BRACKET		1	OR
190	TB09 11013100		.UPPER SURFACE REINFORCEMENT PLATE		1	
200	TB09 11014100		.LOWER SURFACE REINFORCEMENT PLATE		1	OR
210	4299501101		.ANTI-SLIP SKIN		AR	
220	TB10 0932511300		.STIFFENER		1	
230	TB10 0932511500		.STIFFENER		1	

- ITEM NOT ILLUSTRATED

57-20-01

FIG. 1D

PAGE 1

NOV 30/18

FOR TRAILING ARM MLG

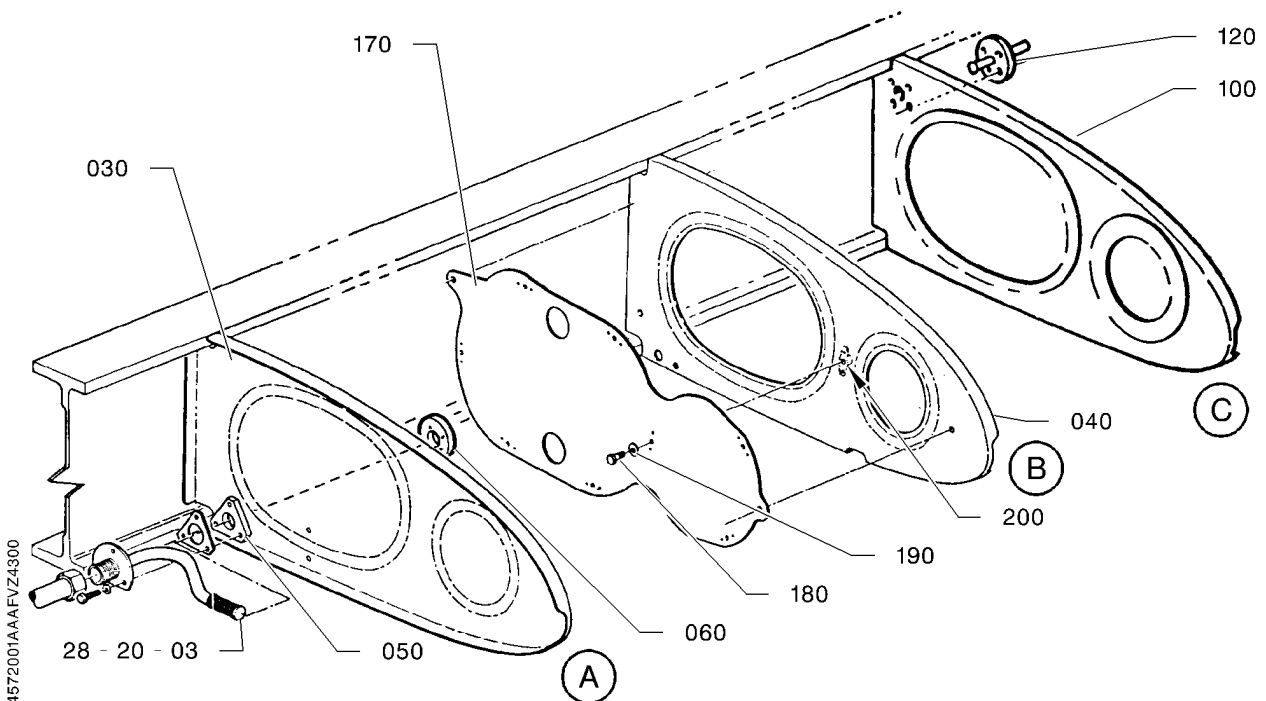
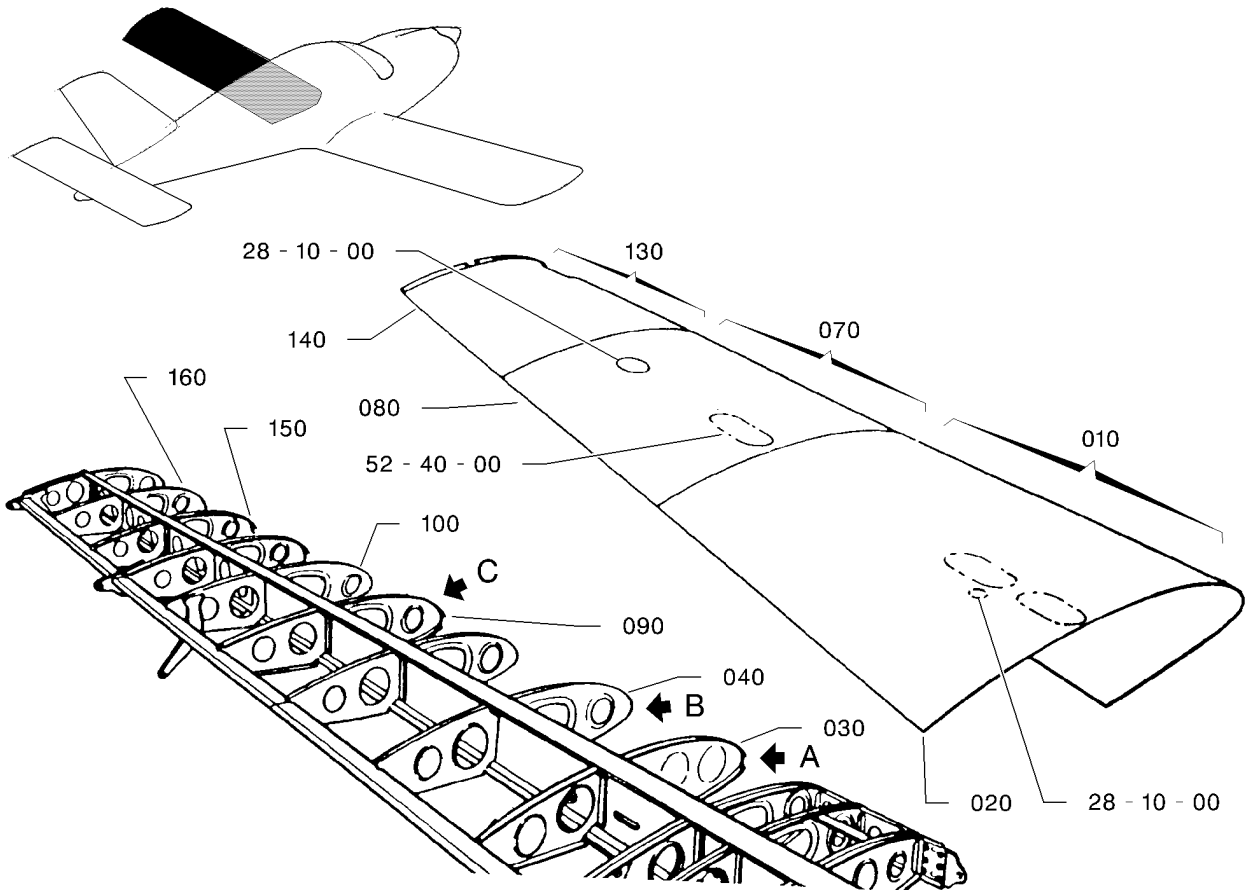
FIG. ITEM	PART NUMBER	NOMENCLATURE	EFFECT FROM TO	UNITS PER ASSY	OBS
		1234567 			
2 - 1	TF57-20-01-02-001	L.H. WING STRUCTURE - LEADING EDGE ASSY		RF	R
10	TB10 11900000	.L.H. LEADING EDGE ASSY		1	OR
- 20A	TB10 11000117	.L.H. LEADING EDGE SKIN		1	NP
30	TB10 11017101	..FUEL TANK RIB, 4.61 FT		1	OR
40	TB10 11012102	..LEADING EDGE RIB AS SPARES, ORDER 1 RIB TB10 11030002 + 1 BLANKING PLATE TB10 11030106 + WASHERS 5701039160 (QTY 6) + BOLTS 5101229075 (QTY 6)		1	NP R
50	TB10 52017100	.FLANGE		1	OR
60	TB10 52017103	.WASHER		1	OR
70	TB10 11900002	.L.H. LEADING EDGE ASSY		1	OR
80	TB10 11000119	..L.H. LEADING EDGE SKIN		1	OR
90	TB10 11012105	..LEADING EDGE RIB		1	
100	TB10 11017102	..FUEL TANK RIB 9.97 FT		1	OR
120	TB10 52006002	.AIR VENT BASE		1	NP
130	TB10 11900004	.L.H. LEADING EDGE ASSY		1	OR
140	TB10 11000121	..L.H. LEADING EDGE SKIN		1	
150	TB10 11012105	..LEADING EDGE RIB		1	
160	TB10 11012104	..LEADING EDGE RIB		1	
170	TB10 11031102	.BLANKING PLATE ATTACHING PARTS		1	
180	5101229075	.BOLT		8	R
190	5701039160	.WASHER OPT TO NFL23111AD040L MADE BY VF0111		8	R
200	5421218040	.ANCHOR NUT, TWO LUG OPT TO 4SR1009M MADE BY VF0224 * * *		8	R

- ITEM NOT ILLUSTRATED

57-20-01

FIG. 2
PAGE 1

NOV 30/18



I4572001AAAFVZ4300

L.H. WING STRUCTURE - LEADING EDGE ASSY
FIGURE 2A

57-20-01

FIG. 2A

PAGE 0 R

NOV 30/18

FIG.ITEM	PART NUMBER	NOMENCLATURE	EFFECT FROM TO	UNITS PER ASSY	OBS
		1234567 			
2A- 1	TF57-20-01-02A-001	L.H. WING STRUCTURE - LEADING EDGE ASSY		RF	
10	TB10 11900000	.L.H. LEADING EDGE ASSY		1	OR
- 20A	TB10 11000117	.L.H. LEADING EDGE SKIN		1	NP
30	TB10 11017101	..FUEL TANK RIB, 4.61 FT		1	OR
40	TB10 11012102	..LEADING EDGE RIB AS SPARES, ORDER 1 RIB TB10 11030002 + 1 BLANKING PLATE TB10 11030106 + WASHERS 5701039160 (QTY 6) + BOLTS 5101229075 (QTY 6)		1	NP R
50	TB10 52017100	.FLANGE		1	OR
60	TB10 52017103	.WASHER		1	OR
70	TB09 11900006	.L.H. LEADING EDGE ASSY		1	OR
80	TB10 11000119	..L.H. LEADING EDGE SKIN		1	OR
90	TB10 11012105	..LEADING EDGE RIB		1	
100	TB10 11017102	..FUEL TANK RIB 9.97 FT		1	OR
120	TB10 52006002	.AIR VENT BASE		1	NP
130	TB10 11900004	.L.H. LEADING EDGE ASSY		1	OR
140	TB10 11000121	..L.H. LEADING EDGE SKIN		1	
150	TB10 11012105	..LEADING EDGE RIB		1	
160	TB10 11012104	..LEADING EDGE RIB		1	
170	TB10 11031102	.BLANKING PLATE ATTACHING PARTS		1	
180	5101229075	.BOLT		8	R
190	5701039160	.WASHER OPT TO NFL23111AD040L MADE BY VF0111		8	R
200	5421218040	.ANCHOR NUT, TWO LUG OPT TO 4SR1009M MADE BY VF0224 * * *		8	R

- ITEM NOT ILLUSTRATED

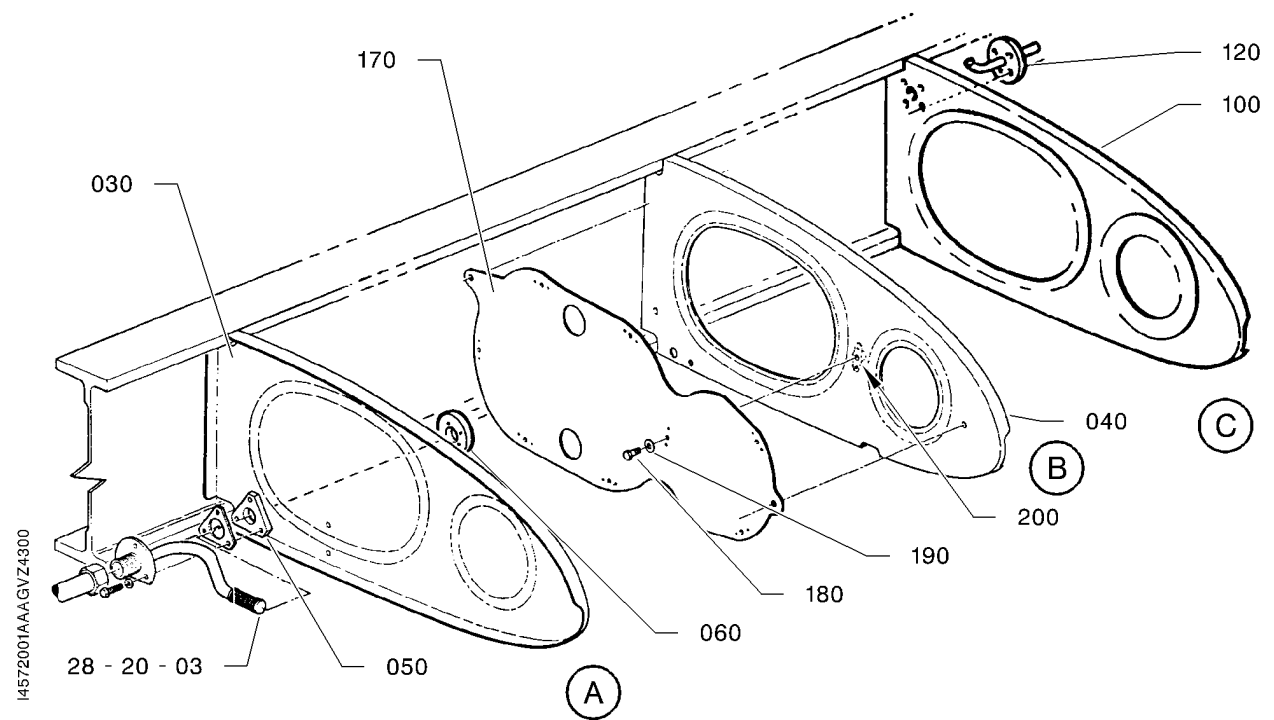
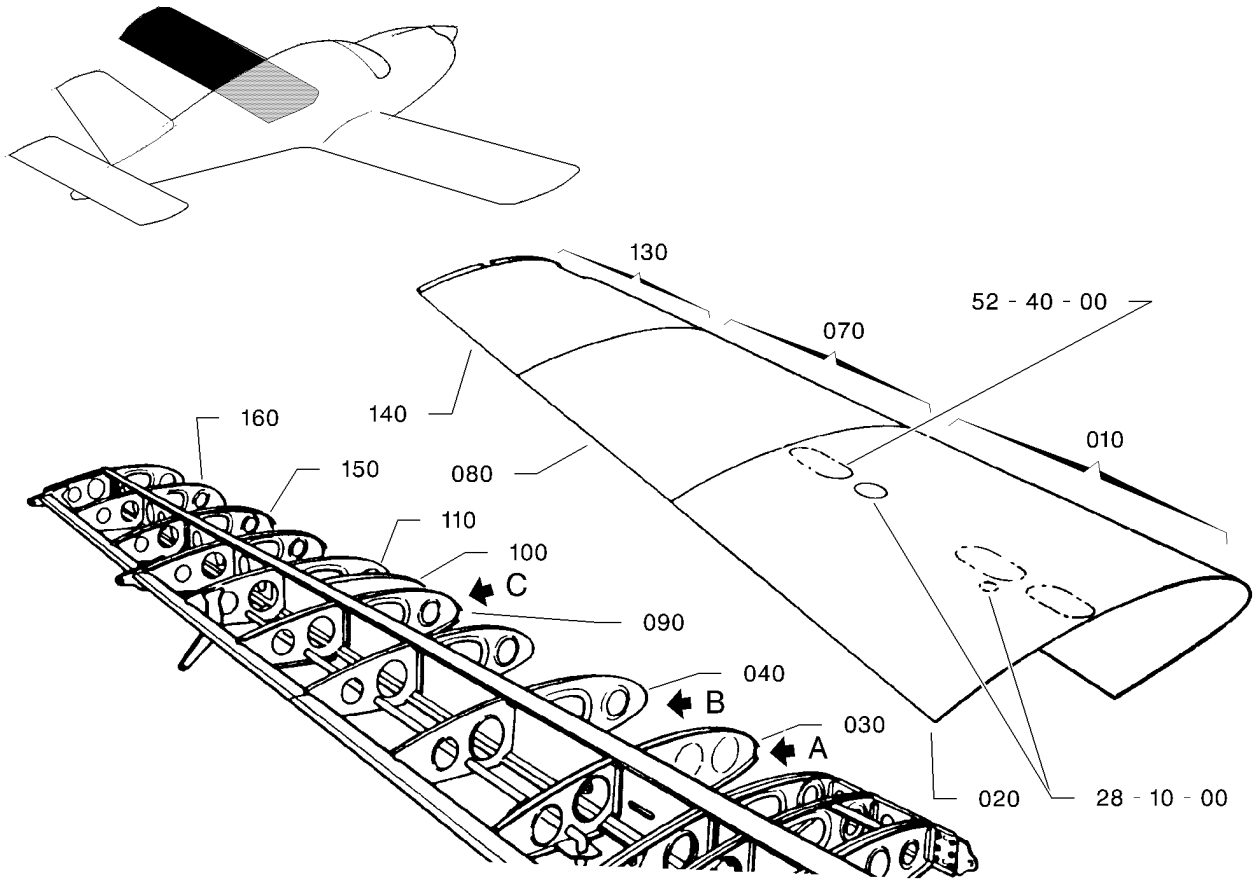
57-20-01

FIG. 2A

PAGE 1

NOV 30/18

S/N 1 - 300 POST-SB 10-048-28 (KIT OPT10 915400) WITH FUEL TANKS 20.1 U.S. GAL (76 L)



14572001AAAAGVZ4300

L.H. WING STRUCTURE - LEADING EDGE ASSY
FIGURE 2B

57-20-01

FIG. 2B

PAGE 0 R

NOV 30/18

S/N 275 - 764, 766 - 878, POST-SB 10-048-28 (KIT OPT10 915400), WITH FUEL TANKS 26.9 U.S. GAL (102 L)

FIG. ITEM	PART NUMBER	NOMENCLATURE	EFFECT FROM TO	UNITS PER ASSY	OBS
		1234567 			
2B- 1	TF57-20-01-02B-001	L.H. WING STRUCTURE - LEADING EDGE ASSY		RF	
10	TB10 11906000	.L.H. LEADING EDGE ASSY		1	OR
20	TB10 11006117	..L.H. LEADING EDGE SKIN TANK FILLER CAP OPENING, DIA. 3.54 IN (90 MM)		1	NP
- 20A	TB10 11006159	..L.H. LEADING EDGE SKIN TANK FILLER CAP OPENING, DIA 3.98 IN (100 MM) RPLD BY TB10 11009184		1	NP
30	TB10 11017101	..FUEL TANK RIB, 4.61 FT		1	OR
40	TB10 11012102	..LEADING EDGE RIB AS SPARES, ORDER 1 RIB TB10 11030002 + 1 BLANKING PLATE TB10 11030106 + WASHERS 5701039160 (QTY 6) + BOLTS 5101229075 (QTY 6)		1	NP R
50	TB10 52017100	.FLANGE		1	OR
60	TB10 52017103	.WASHER		1	OR
70	TB10 11906002	.L.H. LEADING EDGE ASSY		1	OR
80	TB10 11006119	..L.H. LEADING EDGE SKIN		1	OR
90	TB10 11012105	..LEADING EDGE RIB		1	
100	TB10 11017102	..FUEL TANK RIB 9.97 FT		1	OR
110	TB10 11012104	..LEADING EDGE RIB		1	
120	TB10 52010004	.L.H. AIR VENT FLANGE		1	OR
130	TB10 11906004	.L.H. LEADING EDGE ASSY		1	OR
140	TB10 11000121	..L.H. LEADING EDGE SKIN		1	
150	TB10 11012105	..LEADING EDGE RIB		1	
160	TB10 11012104	..LEADING EDGE RIB		1	
170	TB10 11031102	.BLANKING PLATE ATTACHING PARTS		1	
180	5101229075	.BOLT		6	R
190	5701039160	.WASHER OPT TO NFL23111AD040L MADE BY VF0111		6	R
200	5421218040	.ANCHOR NUT, TWO LUG OPT TO 4SR1009M MADE BY VF0224 * * *		6	R

- ITEM NOT ILLUSTRATED

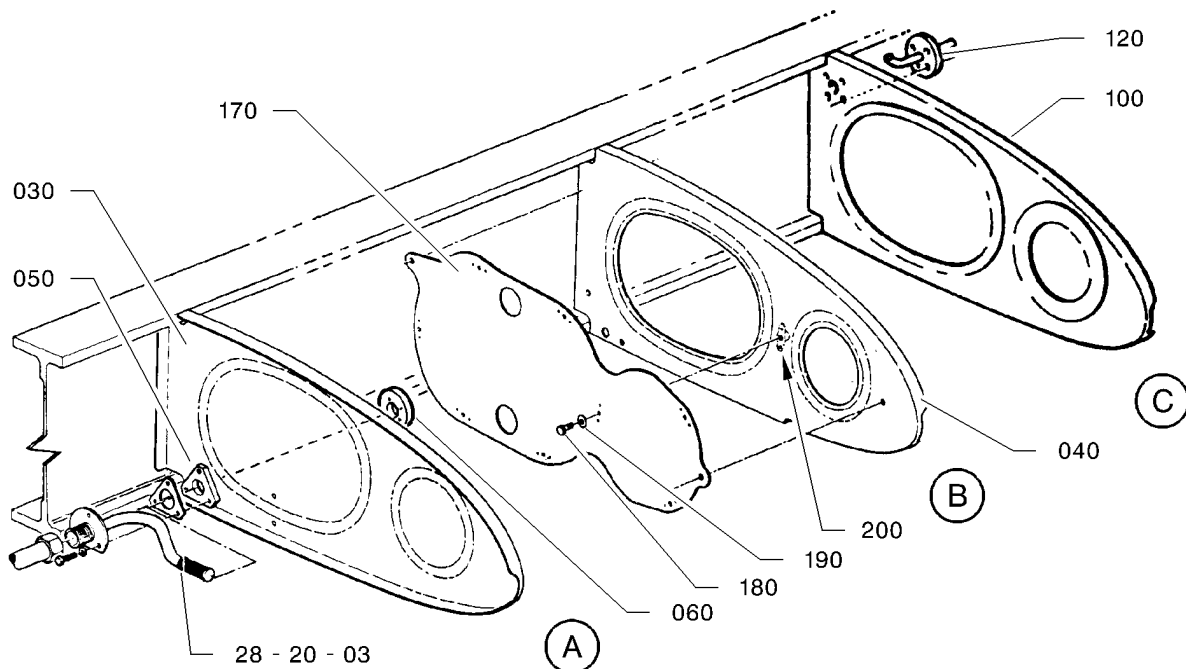
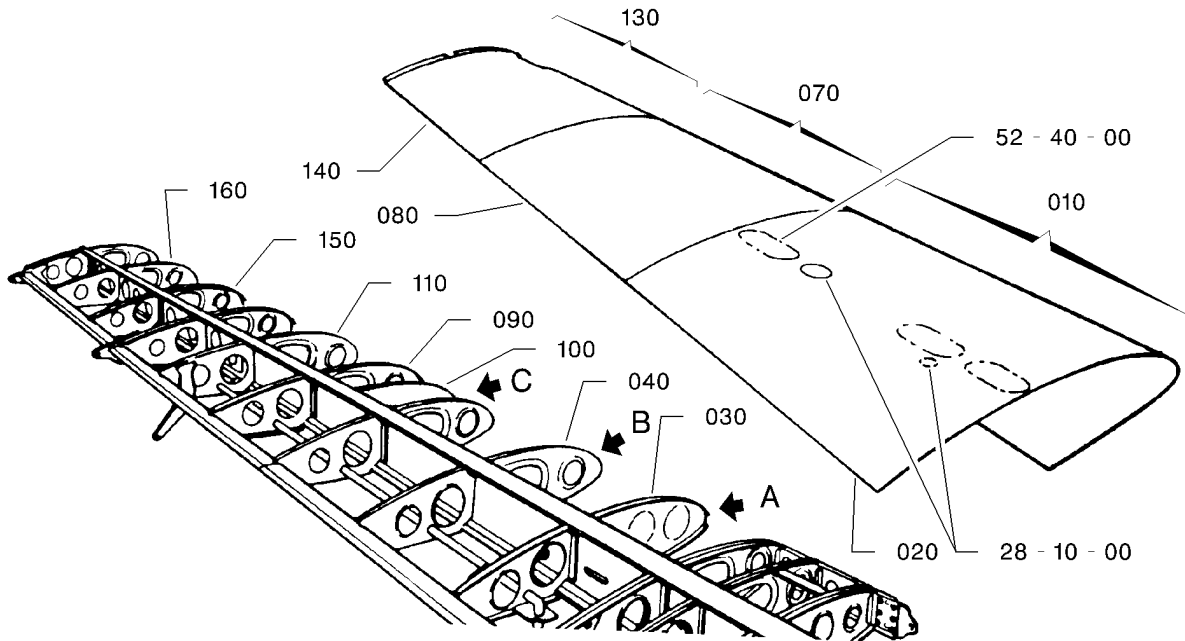
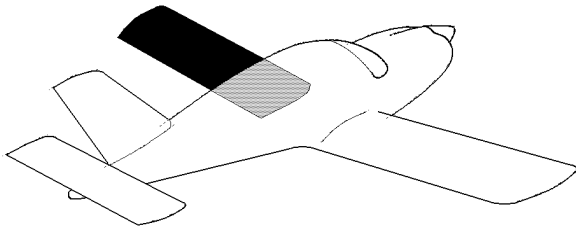
57-20-01

FIG. 2B

PAGE 1

NOV 30/18

S/N 275 - 764, 766 - 878, POST-SB 10-048-28 (KIT OPT10 915400), WITH FUEL TANKS 26.9 U.S. GAL (102 L)



I4572001AAA KUZ4300

L.H. WING STRUCTURE - LEADING EDGE ASSY
FIGURE 2C

57-20-01

FIG. 2C

PAGE 0 R

NOV 30/18

FIG.ITEM	PART NUMBER	NOMENCLATURE	EFFECT FROM TO	UNITS PER ASSY	OBS
		1234567 			
2C- 1	TF57-20-01-02C-001	L.H. WING STRUCTURE - LEADING EDGE ASSY		RF	
10	TB09 11900000	.L.H. LEADING EDGE ASSY		1	OR
20	TB09 11000100	..L.H. LEADING EDGE SKIN TANK FILLER CAP OPENING, DIA. 3.54 IN (90 MM)		1	NP
- 20A	TB09 11000104	..L.H. LEADING EDGE SKIN TANK FILLER CAP OPENING, DIA 3.98 IN (100 MM) RPLD BY TB09 11000118		1	NP
30	TB10 11017101	..FUEL TANK RIB, 4.61 FT		1	OR
40	TB10 11012102	..LEADING EDGE RIB AS SPARES, ORDER 1 RIB TB10 11030002 + 1 BLANKING PLATE TB10 11030106 + WASHERS 5701039160 (QTY 6) + BOLTS 5101229075 (QTY 6)		1	NP R
50	TB10 52017100	.FLANGE		1	OR
60	TB10 52017103	.WASHER		1	OR
70	TB09 11900002	.L.H. LEADING EDGE ASSY		1	OR
80	TB09 11000102	..L.H. LEADING EDGE SKIN		1	OR
90	TB10 11012105	..LEADING EDGE RIB		1	
100	TB10 11017102	..FUEL TANK RIB 9.97 FT		1	OR
110	TB10 11012104	..LEADING EDGE RIB		1	
120	TB09 52010002	.L.H. AIR VENT BASE		1	OR
130	TB10 11906004	.L.H. LEADING EDGE ASSY SUPSD BY TB10 1104000704		1	OR R
-130A	TB10 1104000704	.L.H. LEADING EDGE ASSY SUPSDS TB10 11906004		1	OR R
140	TB10 11000121	..L.H. LEADING EDGE SKIN SUPSD BY TB10 1104019001		1	R
-140A	TB10 1104019001	..L.H. LEADING EDGE SKIN SUPSDS TB10 11000121		1	OR R
150	TB10 11012105	..LEADING EDGE RIB		1	
160	TB10 11012104	..LEADING EDGE RIB		1	
170	TB10 11031102	.BLANKING PLATE ATTACHING PARTS		1	
180	5101229075	.BOLT		6	R
190	5701039160	.WASHER OPT TO NFL23111AD040L MADE BY VF0111		6	R
200	5421218040	.ANCHOR NUT, TWO LUG OPT TO 4SR1009M MADE BY VF0224 * * *		6	R

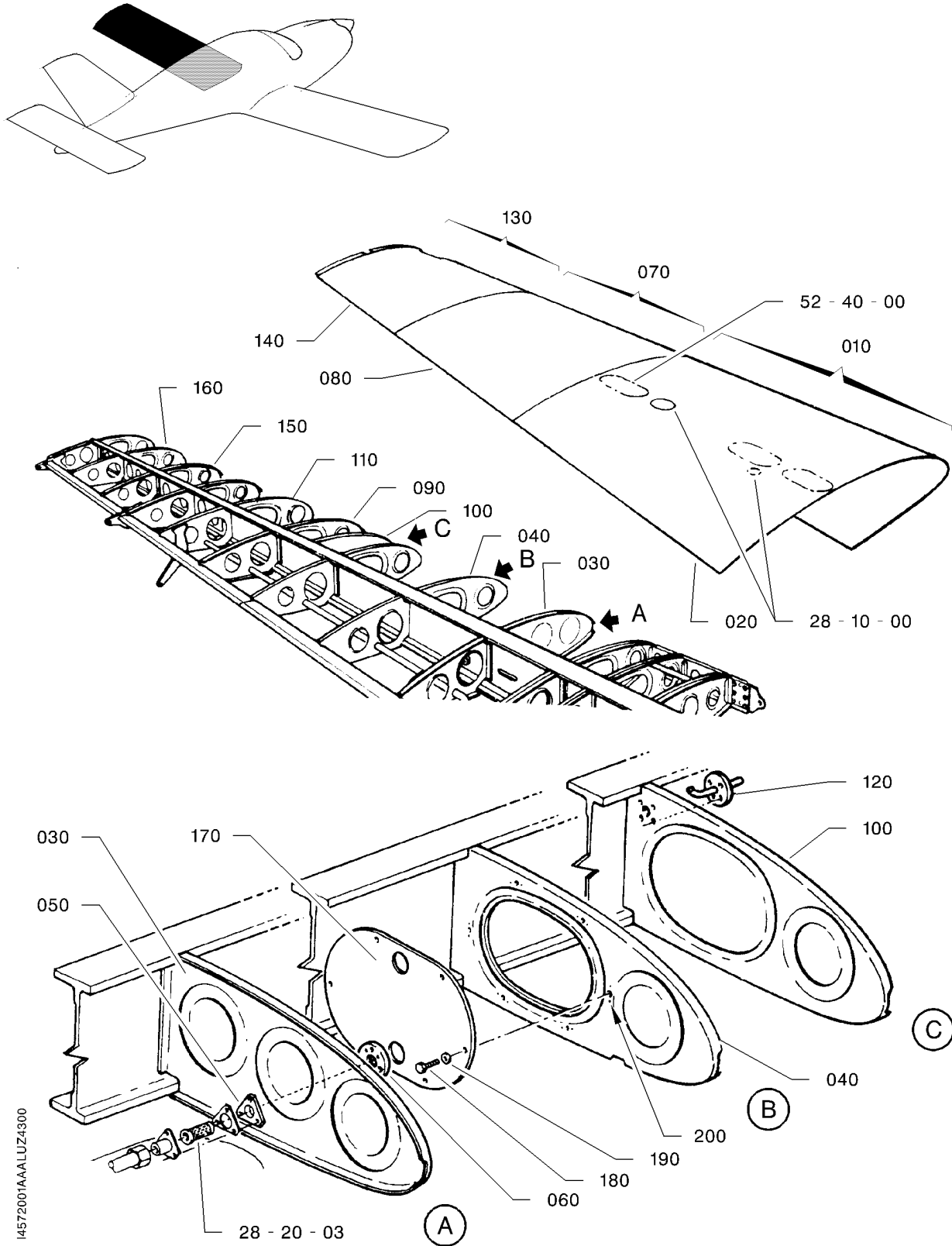
- ITEM NOT ILLUSTRATED

57-20-01

FIG. 2C

PAGE 1

NOV 30/18



L.H. WING STRUCTURE - LEADING EDGE ASSY
FIGURE 2D

57-20-01

FIG. 2D

PAGE 0 R

NOV 30/18

FIG.ITEM	PART NUMBER	1234567 	NOMENCLATURE	EFFECT FROM TO	UNITS PER ASSY	OBS
2D- 1	TF57-20-01-02D-001		L.H. WING STRUCTURE - LEADING EDGE ASSY		RF	
10	TB09 11900000		.L.H. LEADING EDGE ASSY S/N 1038 - 1900		1	OR
- 10A	TB10 1100601301		.L.H. LEADING EDGE ASSY S/N 1901 - 9999		1	OR
20	TB09 11000118		..L.H. LEADING EDGE SKIN		1	OR
30	TB10 11032101		..FUEL TANK RIB, 4.61 FT		1	OR
40	TB10 11030002		..LEADING EDGE RIB		1	
50	TB10 52017100		.FLANGE		1	OR
60	TB10 52017103		.WASHER		1	OR
70	TB09 11900002		.L.H. LEADING EDGE ASSY S/N 1038 - 1900		1	OR
- 70A	TB10 1100601302		.L.H. LEADING EDGE ASSY S/N 1901 - 9999		1	OR
80	TB09 11000102		..L.H. LEADING EDGE SKIN		1	OR
90	TB10 11012111		..LEADING EDGE RIB		1	
100	TB10 11017102		..FUEL TANK RIB 9.97 FT		1	OR
110	TB10 11012110		..LEADING EDGE RIB		1	
120	TB09 52010002		.L.H. AIR VENT BASE		1	OR
130	TB10 11906004		.L.H. LEADING EDGE ASSY		1	OR
140	TB10 11000121		..L.H. LEADING EDGE SKIN		1	
150	TB10 11012111		..LEADING EDGE RIB		1	
160	TB10 11012110		..LEADING EDGE RIB		1	
170	TB10 11030106		.BLANKING PLATE ATTACHING PARTS		1	
180	5101229075		.BOLT		6	R
190	5701039160		.WASHER OPT TO NFL23111AD040L MADE BY VF0111		6	R
200	5421218040		.ANCHOR NUT, TWO LUG OPT TO 4SR1009M MADE BY VF0224 * * *		6	R

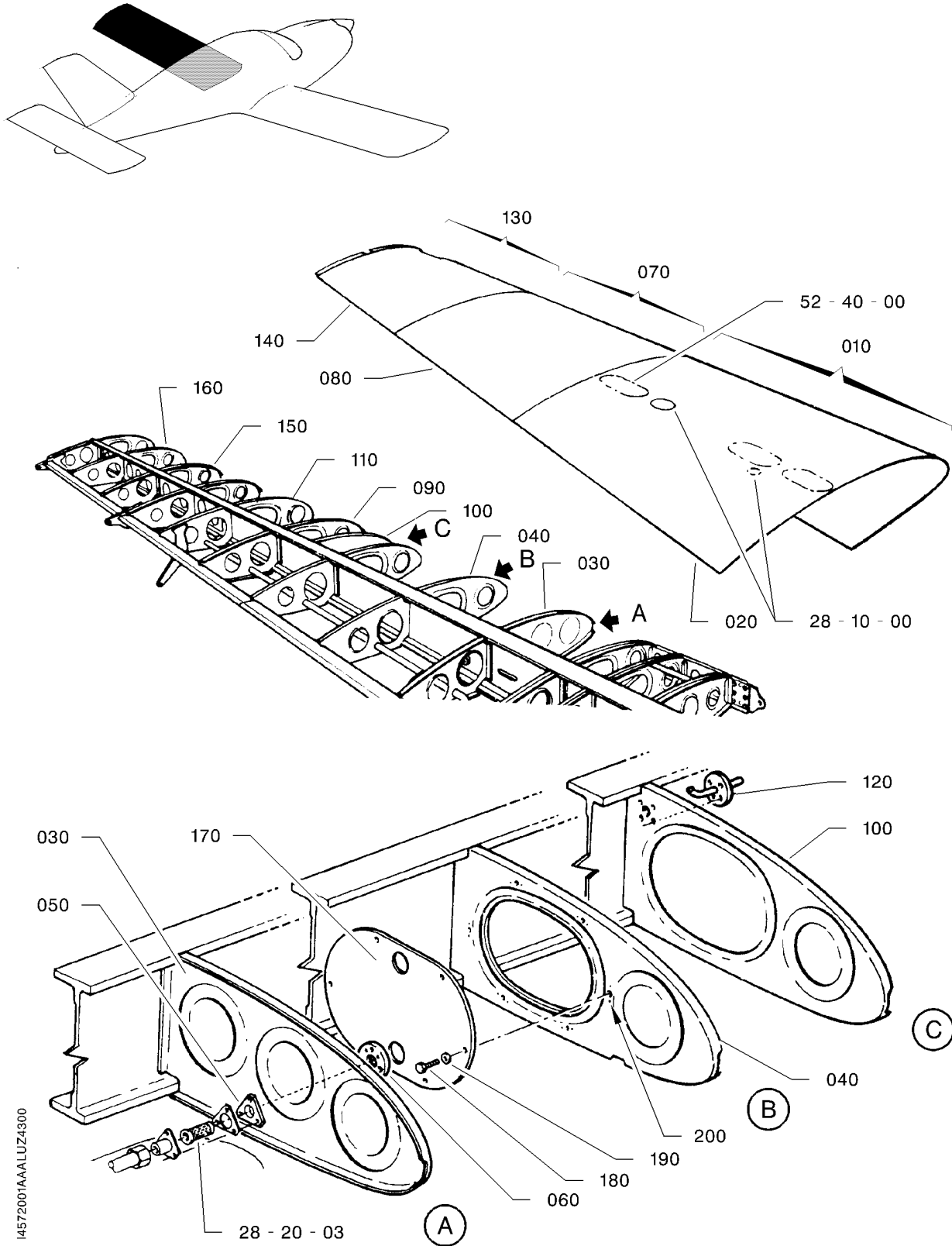
- ITEM NOT ILLUSTRATED

57-20-01

FIG. 2D

PAGE 1

NOV 30/18



L.H. WING STRUCTURE - LEADING EDGE ASSY
FIGURE 2E

57-20-01

FIG. 2E

PAGE 0 R

NOV 30/18

FIG.ITEM	PART NUMBER	1234567 	NOMENCLATURE	EFFECT FROM TO	UNITS PER ASSY	OBS
2E- 1	TF57-20-01-02E-001		L.H. WING STRUCTURE - LEADING EDGE ASSY		RF	R
10	TB09 1100200002		.L.H. LEADING EDGE ASSY		1	OR
20	TB09 11000118		..L.H. LEADING EDGE SKIN		1	OR
30	TB10 1103210601		..FUEL TANK RIB, 4.61 FT		1	OR
40	TB10 11030002		..LEADING EDGE RIB		1	
50	TB10 52017100		.FLANGE		1	OR
60	TB10 52017103		.WASHER		1	OR
70	TB09 1100200003		.L.H. LEADING EDGE ASSY		1	OR
80	TB09 11000102		..L.H. LEADING EDGE SKIN		1	OR
90	TB10 11012111		..LEADING EDGE RIB		1	
100	TB10 11017102		..FUEL TANK RIB 9.97 FT		1	OR
110	TB10 11012110		..LEADING EDGE RIB		1	
120	TB09 52010002		.L.H. AIR VENT BASE		1	OR
130	TB10 1104000004		.L.H. LEADING EDGE ASSY		1	OR
140	TB10 11000121		..L.H. LEADING EDGE SKIN		1	
150	TB10 11012111		..LEADING EDGE RIB		1	
160	TB10 11012110		..LEADING EDGE RIB		1	
170	TB10 11030106		.BLANKING PLATE ATTACHING PARTS		1	
180	5101229075		.BOLT		6	R
190	5701039160		.WASHER OPT TO NFL23111AD040L MADE BY VF0111		6	R
200	5421218040		.ANCHOR NUT, TWO LUG OPT TO 4SR1009M MADE BY VF0224 * * *		6	R

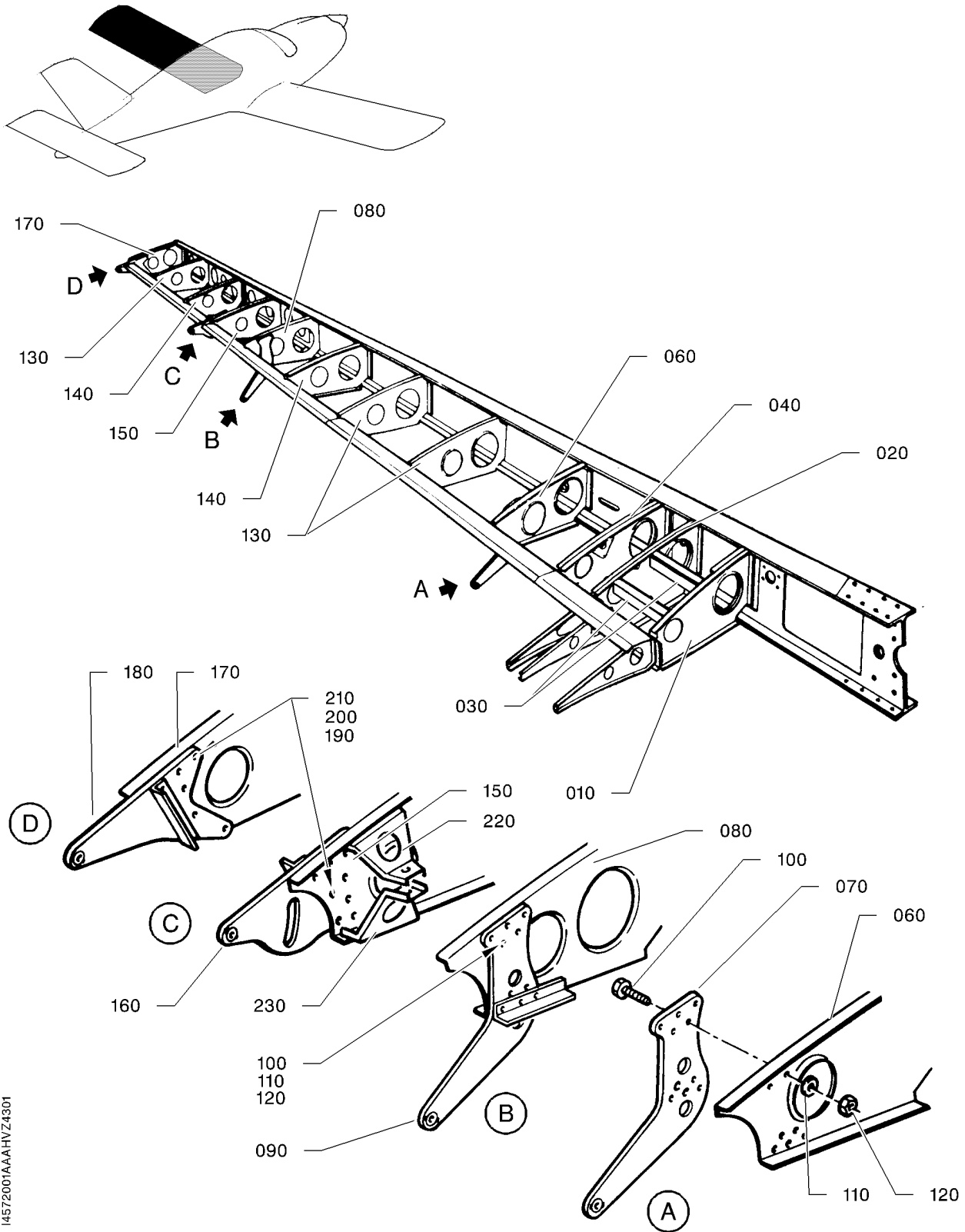
- ITEM NOT ILLUSTRATED

57-20-01

FIG. 2E

PAGE 1

NOV 30/18



L.H. WING STRUCTURE - RIBS ON TRAILING EDGE
FIGURE 3

57-20-01

FIG. 3
PAGE 0 R
NOV 30/18

FIG. ITEM	PART NUMBER	NOMENCLATURE	EFFECT FROM TO	UNITS PER ASSY	OBS
		1234567 			
3 - 1	TF57-20-01-03-001	L.H. WING STRUCTURE - RIBS ON TRAILING EDGE		RF	
10	TB10 11015004	.REAR WING ROOT RIB		1	OR
20	TB10 11015002	.RIB ASSY S/N 1 - 1442, 1444 - 1574 SB 10-085 RPLD BY OPT10 910800		1	NP
- 20A	TB10 11008001	.REINFORCED RIB S/N 1443, 1575 - 9999 RPLD BY TB10 11008003		1	OR
- 20B	TB10 11008003	.REINFORCED RIB RPLS TB10 11008001		1	
30	TB10 11004107	.STIFFENER		2	OR
40	TB10 11015003	.RIB ASSY S/N 1 - 1442, 1444 - 1574 SB 10-085 RPLD BY OPT10 910800		1	NP
- 40A	TB10 11008002	.REINFORCED RIB S/N 1443, 1575 - 9999 RPLD BY TB10 11008004		1	OR
- 40B	TB10 11008004	.REINFORCED RIB RPLS TB10 11008002		1	
60	TB10 11002000	.REAR RIB ASSY		1	
70	TB10 11002004	..ARM ASSY		1	
80	TB10 11002001	.REAR RIB ASSY		1	
90	TB10 11002004	..ARM ASSY		1	
		ATTACHING PARTS			
100	5101229087	..BOLT		20	R
110	5703389160	..WASHER		20	
120	5401458159	..NUT OPT TO E25412B40QQVAL MADE BY VF0110 SUPSD BY 5414468159		20	R
-120A	5414468159	..NUT OPT TO 4PH135M MADE BY VF0224 SUPSDS 5401458159		20	R
		* * *			
130	TB10 11014100	.REAR RIB		3	
140	TB10 11014101	.REAR RIB		2	
150	TB10 11003000	.REAR RIB ASSY		1	
160	TB10 11003005	..ARM ASSY		1	
170	TB10 11003002	.REAR RIB ASSY		1	
180	TB10 11003004	..ARM ASSY		1	
		ATTACHING PARTS			
190	5101229087	..BOLT		18	R
200	5703389160	..WASHER		18	

- ITEM NOT ILLUSTRATED

57-20-01

FIG. 3

PAGE 1

NOV 30/18

FOR TELESCOPIC LEG MLG

FIG.ITEM	PART NUMBER	1234567 	NOMENCLATURE	EFFECT FROM TO	UNITS PER ASSY	OBS
3 210	5401458159		..NUT OPT TO E25412B40QQVAL MADE BY VF0110 SUPSD BY 5414468159		18	R
-210A	5414468159		..NUT OPT TO 4PH135M MADE BY VF0224 SUPSDS 5401458159 * * *		18	R
220	TB10 17011118		.HALF-SUPPORT		1	OR
230	TB10 17011119		.HALF-SUPPORT		1	OR

- ITEM NOT ILLUSTRATED

57-20-01

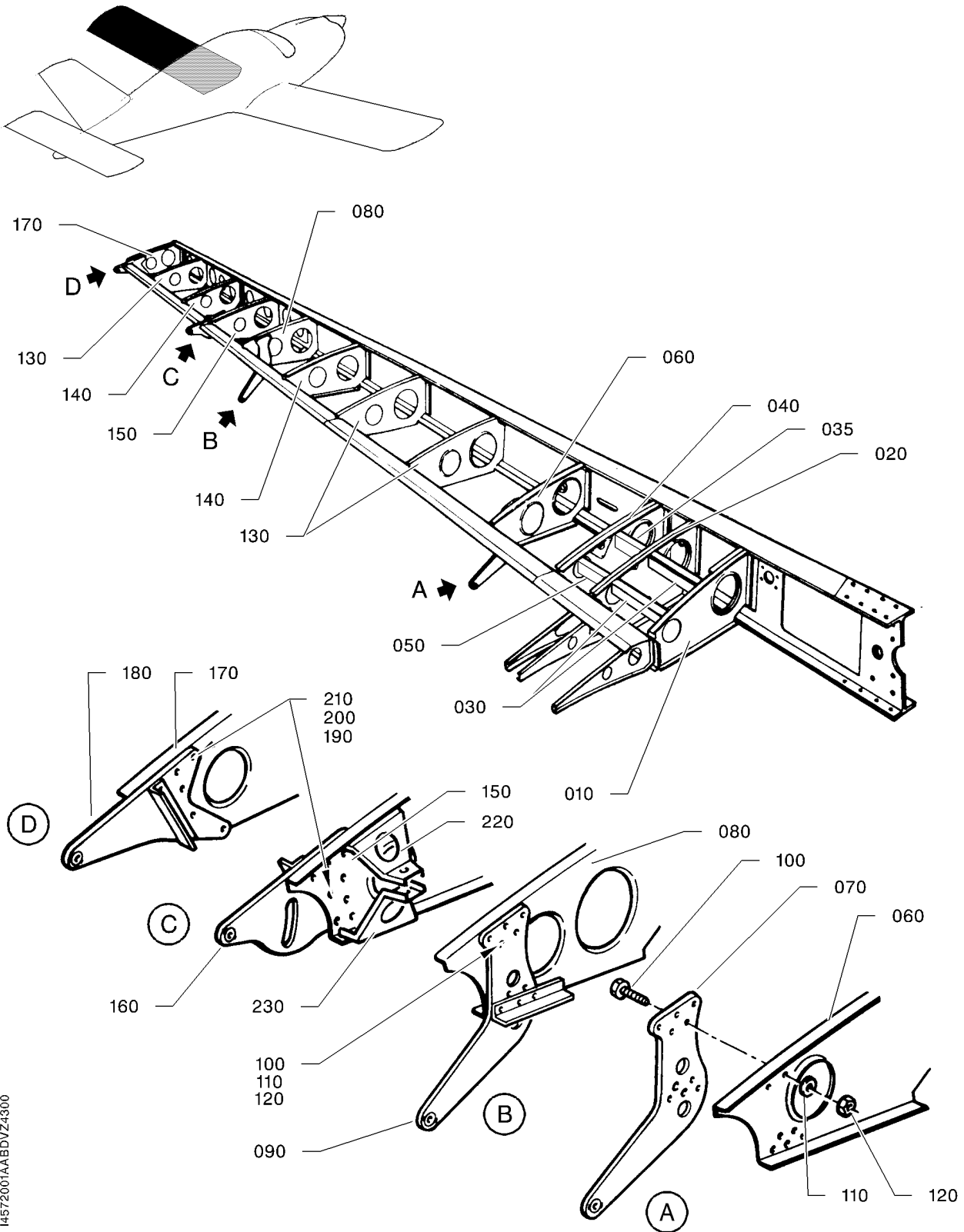
FIG. 3

PAGE 2

NOV 30/18

FOR TELESCOPIC LEG MLG

PAGE INTENTIONALLY BLANK



14572001AA BDVZ4300

L.H. WING STRUCTURE - RIBS ON TRAILING EDGE
FIGURE 3A

57-20-01

FIG. 3A

PAGE 0 R

NOV 30/18

FIG. ITEM	PART NUMBER	NOMENCLATURE	EFFECT FROM TO	UNITS PER ASSY	OBS
		1234567 			
3A- 1	TF57-20-01-03A-001	L.H. WING STRUCTURE - RIBS ON TRAILING EDGE		RF	R
10	TB10 11015004	.REAR WING ROOT RIB		1	OR
20	TB09 1101000201	.RIB ASSY		1	
30	TB10 11004107	.STIFFENER		2	OR
35	TB10 11057100	.ANGLE BRACKET		1	
40	TB09 1101000200	.RIB ASSY		1	
50	TB09 11020100	.ANGLE BRACKET		1	
60	TB10 11002000	.REAR RIB ASSY		1	
70	TB10 11002004	..ARM ASSY		1	
80	TB10 11002001	.REAR RIB ASSY		1	
90	TB10 11002004	..ARM ASSY		1	
		ATTACHING PARTS			
100	5101229087	..BOLT		20	R
110	5703389160	..WASHER		20	
120	5401458159	..NUT		20	R
		OPT TO E25412B40QQVAL MADE BY VF0110 SUPSD BY 5414468159			
-120A	5414468159	..NUT		20	R
		OPT TO 4PH135M MADE BY VF0224 SUPSDS 5401458159			
		* * *			
130	TB10 11014100	.REAR RIB		3	
140	TB10 11014101	.REAR RIB		2	
150	TB10 11003000	.REAR RIB ASSY		1	
160	TB10 11003005	..ARM ASSY		1	
170	TB10 11003002	.REAR RIB ASSY		1	
180	TB10 11003004	..ARM ASSY		1	
		ATTACHING PARTS			
190	5101229087	..BOLT		18	R
200	5703389160	..WASHER		18	
210	5401458159	..NUT		18	R
		OPT TO E25412B40QQVAL MADE BY VF0110 SUPSD BY 5414468159			
-210A	5414468159	..NUT		18	R
		OPT TO 4PH135M MADE BY VF0224 SUPSDS 5401458159			
		* * *			
220	TB10 17011118	.HALF-SUPPORT		1	OR
230	TB10 17011119	.HALF-SUPPORT		1	OR

- ITEM NOT ILLUSTRATED

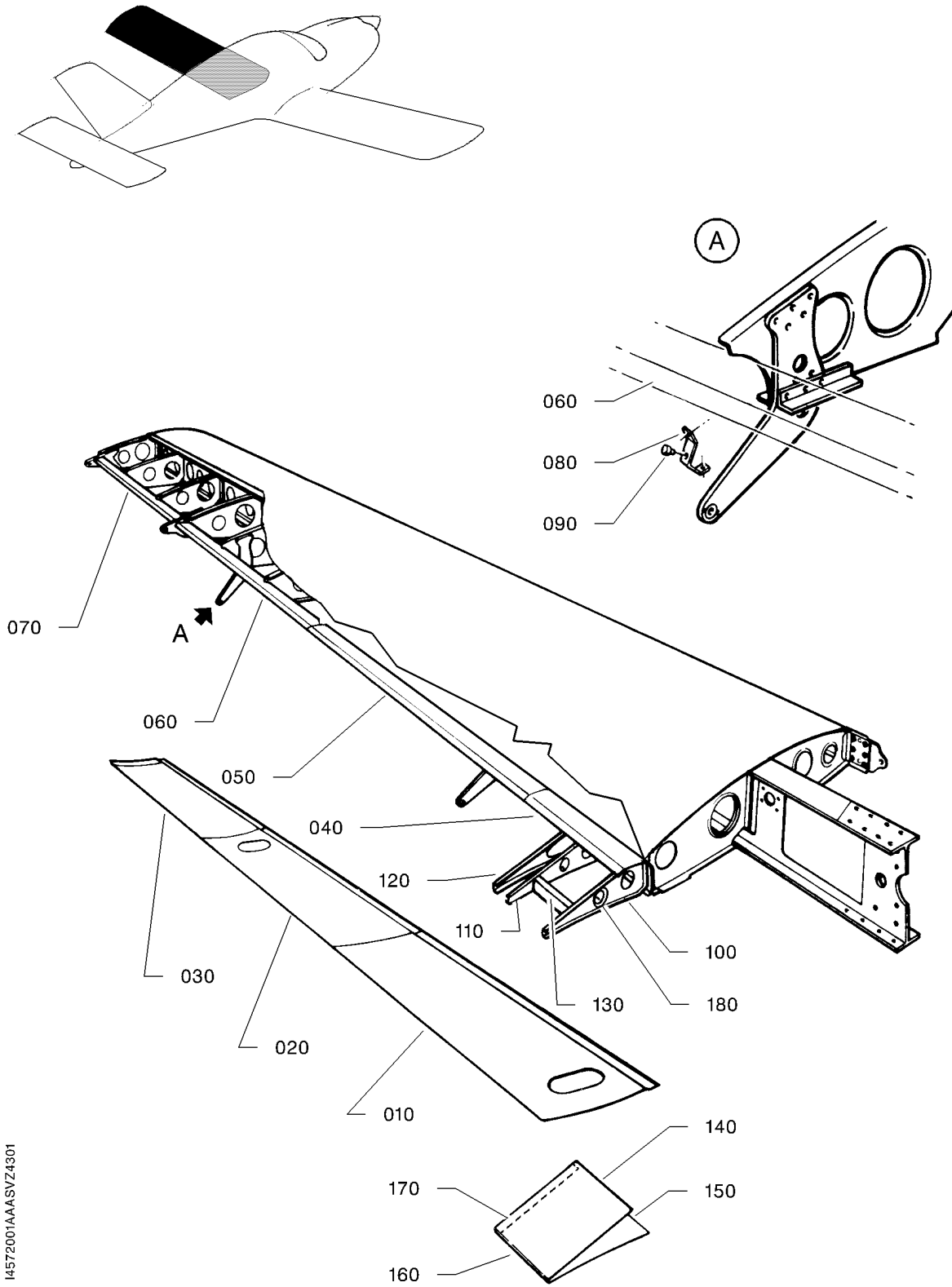
57-20-01

FIG. 3A

PAGE 1

NOV 30/18

FOR TRAILING ARM MLG



14572001AAASVZ4301

L.H. WING STRUCTURE - TRAILING EDGE SKINS
FIGURE 4

57-20-01

FIG. 4
PAGE 0 R
NOV 30/18

FIG.ITEM	PART NUMBER	NOMENCLATURE	EFFECT FROM TO	UNITS PER ASSY	OBS
		1234567 			
4 - 1	TF57-20-01-04-001	L.H. WING STRUCTURE - TRAILING EDGE SKINS		RF	
10	TB10 11000125	.L.H. REAR SKIN SUPSD BY TB10 1104018601		1	OR R
- 10A	TB10 1104018601	.L.H. REAR SKIN SUPSDS TB10 11000125		1	R
20	TB10 11000127	.L.H. REAR SKIN S/N 1 - 274, ONLY ONE INSPECTION DOOR AND S/N 275 - 9999, 2 INSPECTION DOORS		1	OR
30	TB10 11000129	.L.H. REAR SKIN		1	OR
40	TB10 11000107	.L.H. REAR SMALL SPAR		1	
50	TB10 11000109	.L.H. REAR SMALL SPAR		1	OR
60	TB10 11000111	.L.H. REAR SMALL SPAR		1	OR
70	TB10 11000113	.L.H. REAR SMALL SPAR		1	OR
70A	TB10 1100623600	.DELETED			R
80	TB10 11002111	.STOP SUPPORT		2	
90	7103680723	.STOP OPT TO 723 MADE BY VFA870		2	R
100	TB20 11004100	.FOOTSTEP RIB RPLD BY TB20 11004118		1	OR
-100A	TB20 11004118	.FOOTSTEP RIB RPLS TB20 11004100		1	OR
110	TB20 11004101	.FOOTSTEP RIB RPLD BY TB20 11004119		1	OR
-110A	TB20 11004119	.FOOTSTEP RIB RPLS TB20 11004101		1	OR
120	TB20 11023102	.BLANKING RIB RPLD BY TB20 11004120		1	OR
-120A	TB20 11004120	.BLANKING RIB RPLS TB20 11023102		1	OR
130	TB10 11004106	.STIFFENER		1	
140	TB10 11023104	.UPPER SURFACE SKIN S/N 1 - 1844, 1850, 1856 - 1860 RPLD BY TB10 1102312101		1	OR R
-140A	TB10 1102312101	.UPPER SURFACE SKIN RPLS TB10 11023104		1	
150	TB10 11023105	.LOWER SURFACE SKIN		1	
160	TB10 11023110	.SHIM		1	
170	4813068260	.ADHESIVE TAPE SB10-095-57		AR	R
180	4343935210	.PROTECTION EDGING OPT TO NSA939510 MADE BY VF3341		AR	R

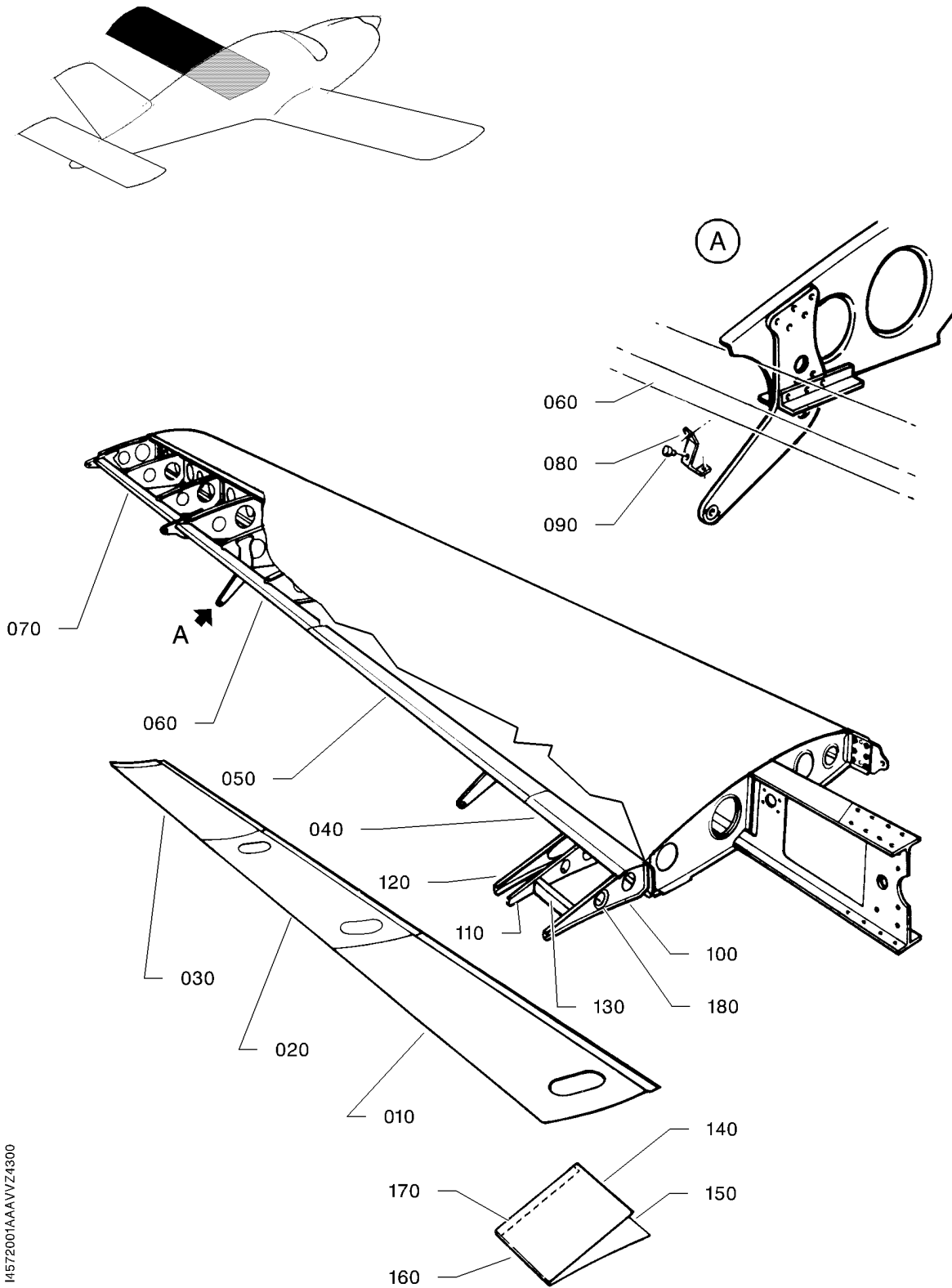
- ITEM NOT ILLUSTRATED

57-20-01

FIG. 4
PAGE 1

NOV 30/18

FOR TELESCOPIC LEG MLG



14572001AAAVZ4300

L.H. WING STRUCTURE - TRAILING EDGE SKINS
FIGURE 4A

57-20-01

FIG. 4A
PAGE 0 R
NOV 30/18

FIG.ITEM	PART NUMBER	NOMENCLATURE	EFFECT FROM TO	UNITS PER ASSY	OBS
		1234567 			
4A- 1	TF57-20-01-04A-001	L.H. WING STRUCTURE - TRAILING EDGE SKINS		RF	R
10	TB10 1104017201	.L.H. REAR SKIN SUPSD BY TB10 1104018801		1	OR R
- 10A	TB10 1104018801	.L.H. REAR SKIN SUPSDS TB10 1104017201		1	R
20	TB10 11000127	.L.H. REAR SKIN		1	OR
30	TB10 11000129	.L.H. REAR SKIN		1	OR
40	TB10 11000107	.L.H. REAR SMALL SPAR		1	
50	TB10 11000109	.L.H. REAR SMALL SPAR		1	OR
60	TB10 11000111	.L.H. REAR SMALL SPAR		1	OR
70	TB10 11000113	.L.H. REAR SMALL SPAR VARIANT		1	OR
- 70A	TB10 1100623600	.L.H. REAR SMALL SPAR VARIANT		1	OR
80	TB10 11002111	.STOP SUPPORT		2	
90	7103680723	.STOP OPT TO 723 MADE BY VFA870		2	R
100	TB20 11004118	.FOOTSTEP RIB		1	OR
110	TB20 11004119	.FOOTSTEP RIB		1	OR
120	TB20 11004120	.BLANKING RIB		1	OR
130	TB10 11004106	.STIFFENER		1	
140	TB10 11023104	.UPPER SURFACE SKIN S/N 1 - 1844, 1850, 1856 - 1860 RPLD BY TB10 1102312101		1	OR R
-140A	TB10 1102312101	.UPPER SURFACE SKIN RPLS TB10 11023104		1	
150	TB10 11023105	.LOWER SURFACE SKIN		1	
160	TB10 11023110	.SHIM		1	
170	4813068260	.ADHESIVE TAPE SB10-095-57		AR	R
180	4343935210	.PROTECTION EDGING OPT TO NSA939510 MADE BY VF3341		AR	R

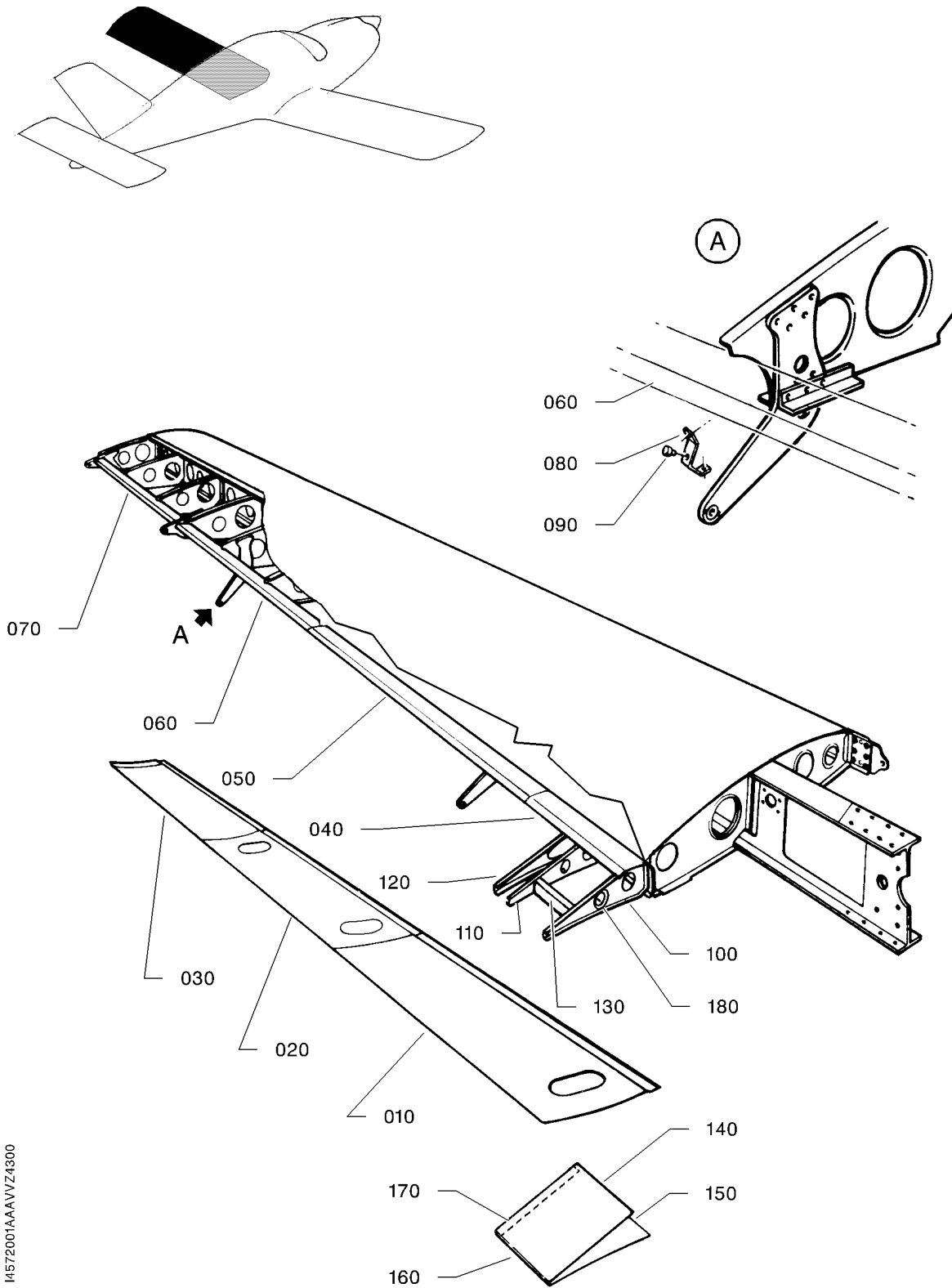
- ITEM NOT ILLUSTRATED

57-20-01

FIG. 4A

PAGE 1

NOV 30/18



14572001AAAVZ4300

L.H. WING STRUCTURE - TRAILING EDGE SKINS
FIGURE 4B

57-20-01

FIG. 4B

PAGE 0 R

NOV 30/18

FIG.ITEM	PART NUMBER	NOMENCLATURE	EFFECT FROM TO	UNITS PER ASSY	OBS
		1234567 			
4B- 1	TF57-20-01-04B-001	L.H. WING STRUCTURE - TRAILING EDGE SKINS		RF	
10	TB10 1104017201	.L.H. REAR SKIN SUPSD BY TB10 1104018801		1	OR R
- 10A	TB10 1104018801	.L.H. REAR SKIN SUPSDS TB10 1104017201		1	R
20	TB10 1104012301	.L.H. REAR SKIN		1	OR
30	TB10 11000129	.L.H. REAR SKIN		1	OR
40	TB10 11000107	.L.H. REAR SMALL SPAR		1	
50	TB10 11000109	.L.H. REAR SMALL SPAR		1	OR
60	TB10 11000111	.L.H. REAR SMALL SPAR		1	OR
70	TB10 11000113	.L.H. REAR SMALL SPAR		1	OR
70A	TB10 1100623600	.DELETED			R
80	TB10 11002111	.STOP SUPPORT		2	
90	7103680723	.STOP OPT TO 723 MADE BY VFA870		2	R
100	TB20 11004118	.FOOTSTEP RIB		1	OR
110	TB20 11004119	.FOOTSTEP RIB		1	OR
120	TB20 11004120	.BLANKING RIB		1	OR
130	TB10 11004106	.STIFFENER		1	
140	TB10 1102312101	.UPPER SURFACE SKIN		1	
150	TB10 11023105	.LOWER SURFACE SKIN		1	
160	TB10 11023110	.SHIM		1	
170	4813068260	.ADHESIVE TAPE SB10-095-57		AR	R
180	4343935210	.PROTECTION EDGING OPT TO NSA939510 MADE BY VF3341		AR	R

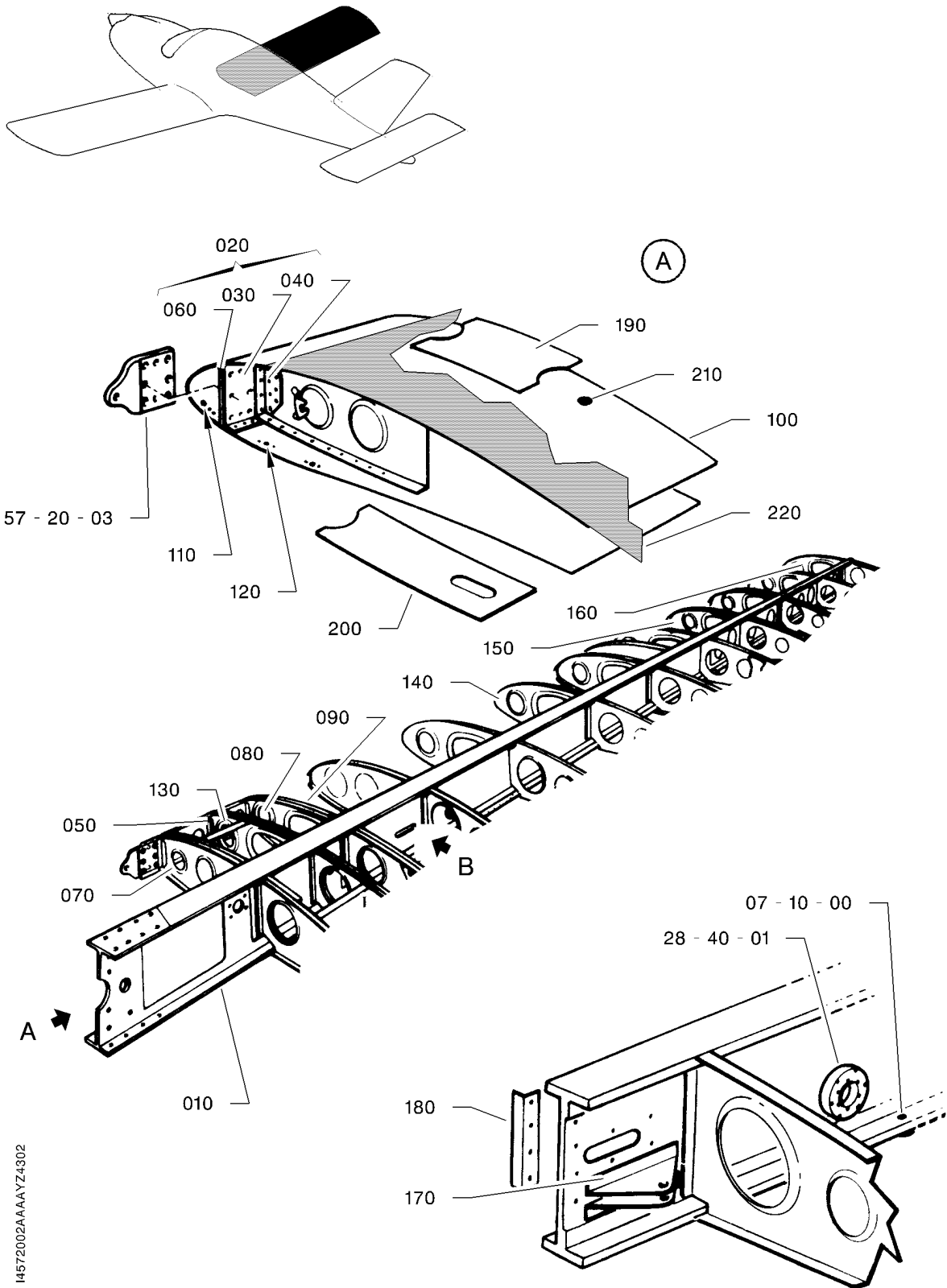
- ITEM NOT ILLUSTRATED

57-20-01

FIG. 4B

PAGE 1

NOV 30/18



R.H. WING STRUCTURE - LEADING EDGE
FIGURE 1

57-20-02

FIG. 1
PAGE 0 R

NOV 30/18

S/N 1 - 764, 766 - 878, WITH FUEL TANKS 26.9 U.S. GAL (102 L) FOR TELESCOPIC LEG MLG

FIG. ITEM	PART NUMBER	1234567 	NOMENCLATURE	EFFECT FROM TO	UNITS PER ASSY	OBS
1 - 1	TF57-20-02-01-001		R.H. WING STRUCTURE - LEADING EDGE		RF	
10	TB10 11011101		.R.H. SPAR		1	NP
20	TB10 11000005		.R.H. SMALL SPAR ASSY CAUTION : S/N 1 - 764, 766 - 803, 805, 806, 809 - 815, 820 - 822 : FOR REPAIR, REFER TO SB 10-081-57		1	
30	TB10 11000102		..R.H. SMALL SPAR		1	OR
40	TB10 11000105		..ANGLE BRACKET		2	OR
50	TB10 11000106		..ANGLE BRACKET		2	OR
60	TB10 11000103		..REINFORCEMENT PLATE		1	OR
70	TB10 11016000		..WING ROOT RIB ASSY		1	
80	TB10 11000008		.LEADING EDGE RIB ASSY		1	
90	TB10 11000007		.LEADING EDGE RIB ASSY		1	
100	TB10 11000116		.R.H. WING ROOT SKIN S/N 1 - 764, 766 - 803, 805, 806, 809 - 815, 820 - 822		1	NP
-100A	TB10 11009144		.R.H. WING ROOT SKIN S/N 804, 807, 808, 816 - 819, 823 - 1037		1	
110	5431218040		.ANCHOR NUT, ONE LUG OPT TO 4SR2009M MADE BY VF0224 SUPSD BY 5435218040		1	R
-110A	5435218040		.ANCHOR NUT, ONE LUG, FLOATING SUPSDS 5431218040		1	R
120	5421218040		.ANCHOR NUT, TWO LUG OPT TO 4SR1009M MADE BY VF0224 SUPSD BY 5425218040		5	R
-120A	5425218040		.ANCHOR NUT, TWO LUG, FLOATING OPT TO 4SF5009M MADE BY VF0224 SUPSDS 5421218040		5	R
130	TB10 11000180		.STIFFENER		1	
140	TB10 11012105		.LEADING EDGE RIB		2	
150	TB10 11012104		.LEADING EDGE RIB		1	
160	TB10 11012105		.LEADING EDGE RIB		1	
170	TB10 17010106		.SUPPORT BRACKET		2	OR
180	TB10 17010108		.STIFFENER BRACKET		1	OR
190	TB10 11001101		.UPPER SURFACE REINFORCEMENT PLATE S/N 1 - 764, 766 - 803, 805, 806, 809 - 815, 820 - 822		1	R
-190A	TB10 11026114		.UPPER SURFACE REINFORCEMENT PLATE S/N 804, 807, 808, 816 - 819, 823 - 1037		1	OR R
200	TB10 11001102		.LOWER SURFACE REINFORCEMENT PLATE S/N 1 - 764, 766 - 803, 805, 806, 809 - 815, 820 - 822		1	R

- ITEM NOT ILLUSTRATED

57-20-02

FIG. 1

PAGE 1

NOV 30/18

S/N 1 - 764, 766 - 878, WITH FUEL TANKS 26.9 U.S. GAL (102 L) FOR TELESCOPIC LEG MLG

FIG.ITEM	PART NUMBER	NOMENCLATURE	EFFECT FROM TO	UNITS PER ASSY	OBS
		1234567 			
1 -200A	TB10 11026113	.LOWER SURFACE REINFORCEMENT PLATE S/N 804, 807, 808, 816 - 819, 823 - 1037		1	R
210	7640010000	.BLANKING PLUG FOR DIA. 24 S/N 1 - 764, 766 - 799		1	
-210A	7640012713	.BLACK BLANKING CAP S/N 800 - 878		1	
220	4299501101	.ANTI-SLIP SKIN		AR	

- ITEM NOT ILLUSTRATED

57-20-02

FIG. 1
PAGE 2

NOV 30/18

S/N 1 - 764, 766 - 878, WITH FUEL TANKS 26.9 U.S. GAL (102 L) FOR TELESCOPIC LEG MLG

PAGE INTENTIONALLY BLANK

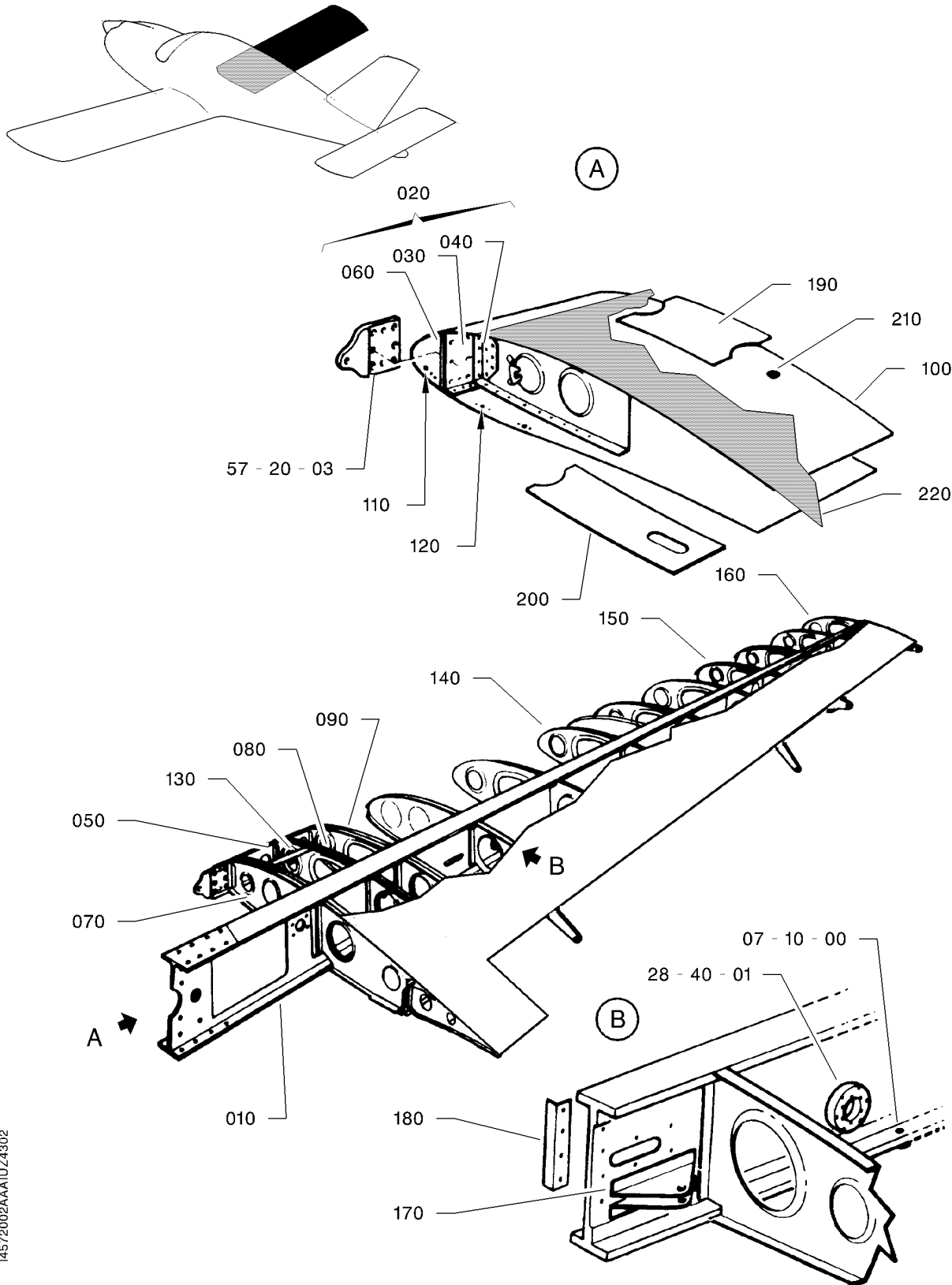
57-20-02

FIG. 1

PAGE 3 R

NOV 30/18

S/N 1 - 764, 766 - 878, WITH FUEL TANKS 26.9 U.S. GAL (102 L) FOR TELESCOPIC LEG MLG



R.H. WING STRUCTURE - LEADING EDGE
FIGURE 1A

57-20-02

FIG. 1A

PAGE 0 R

NOV 30/18

14572002AAAIIUZ4302

FIG. ITEM	PART NUMBER	NOMENCLATURE	EFFECT FROM TO	UNITS PER ASSY	OBS
		1234567 			
1A- 1	TF57-20-02-01A-001	R.H. WING STRUCTURE - LEADING EDGE		RF	
10	TB09 11011101	.R.H. SPAR		1	NP
20	TB10 11000005	.R.H. SMALL SPAR ASSY CAUTION : S/N 1 - 764, 766 - 803, 805, 806, 809 - 815, 820 - 822 : FOR REPAIR, REFER TO SB 10-081-57		1	
30	TB10 11000102	..R.H. SMALL SPAR		1	OR
40	TB10 11000105	..ANGLE BRACKET		2	OR
50	TB10 11000106	..ANGLE BRACKET		2	OR
60	TB10 11000103	..REINFORCEMENT PLATE		1	OR
70	TB10 11016000	..WING ROOT RIB ASSY		1	
80	TB10 11000008	.LEADING EDGE RIB ASSY		1	
90	TB10 11000007	.LEADING EDGE RIB ASSY		1	
100	TB10 11000116	.R.H. WING ROOT SKIN		1	NP
110	5431218040	.ANCHOR NUT, ONE LUG OPT TO 4SR2009M MADE BY VF0224 RPLD BY 5435218040		1	R
-110A	5435218040	.ANCHOR NUT, ONE LUG, FLOATING RPLS 5431218040		1	
120	5421218040	.ANCHOR NUT, TWO LUG OPT TO 4SR1009M MADE BY VF0224 RPLD BY 5425218040		5	R
-120A	5425218040	.ANCHOR NUT, TWO LUG, VF0224 FLOATING OPT TO 4SF5009M MADE BY VF0224 RPLS 5421218040		5	
130	TB10 11000180	.STIFFENER		1	
140	TB10 11012105	.LEADING EDGE RIB		2	
150	TB10 11012104	.LEADING EDGE RIB		1	
160	TB10 11012105	.LEADING EDGE RIB		1	
170	TB10 17010106	.SUPPORT BRACKET		2	OR
180	TB10 17010108	.STIFFENER BRACKET		1	OR
190	TB10 11001101	.UPPER SURFACE REINFORCEMENT PLATE		1	
200	TB10 11001102	.LOWER SURFACE REINFORCEMENT PLATE		1	
210	7640010000	.BLANKING PLUG FOR DIA. 24 S/N 1 - 799		1	
-210A	7640012713	.BLACK BLANKING CAP S/N 800 - 1037		1	
220	4299501101	.ANTI-SLIP SKIN		AR	

- ITEM NOT ILLUSTRATED

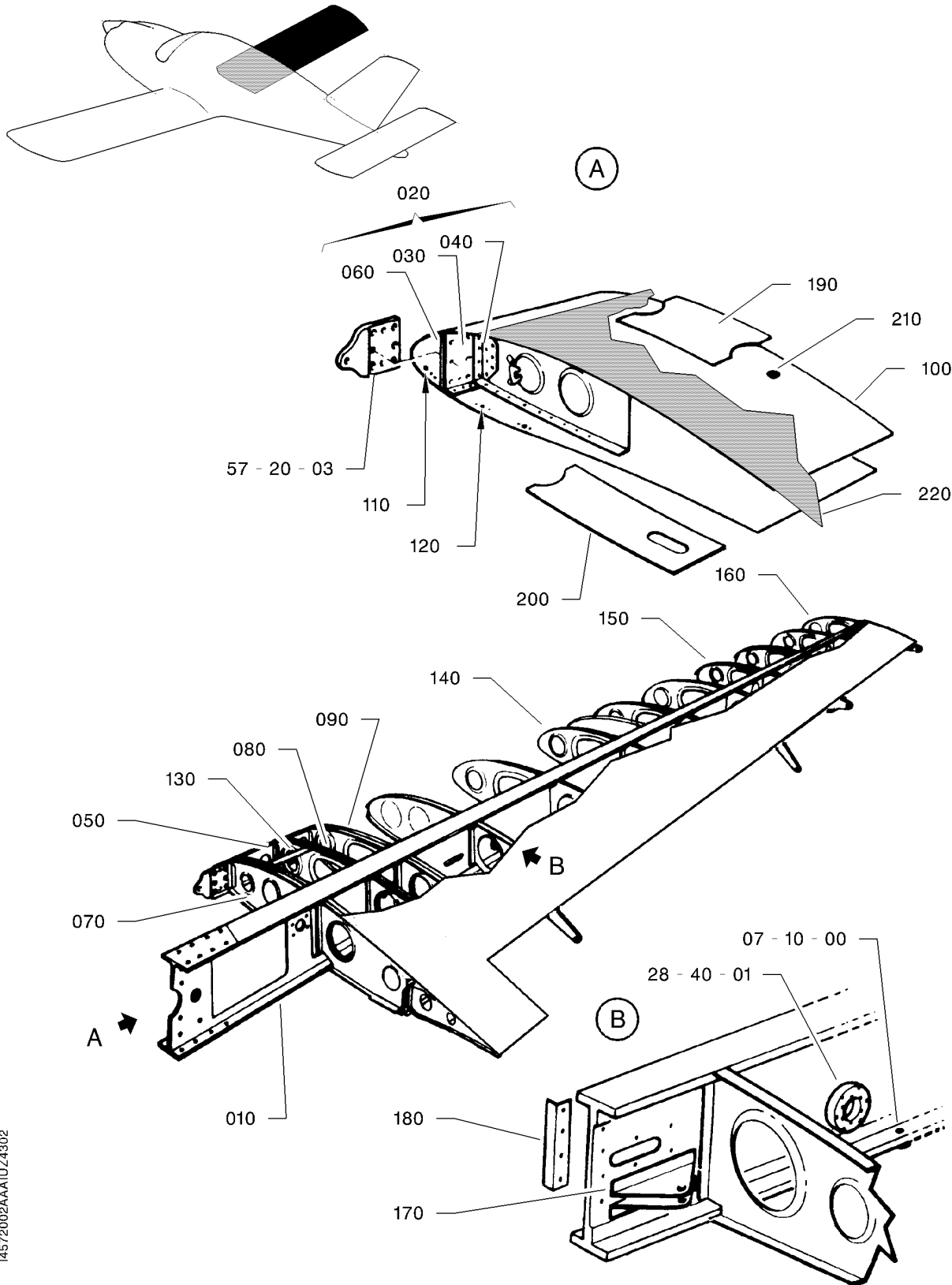
57-20-02

FIG. 1A

PAGE 1

NOV 30/18

S/N 1 - 1037 WITH FUEL TANKS 20.1 U.S. GAL (76 L) FOR TELESCOPIC LEG MLG



14572002AAAIUZ4302

R.H. WING STRUCTURE - LEADING EDGE
FIGURE 1B

57-20-02

FIG. 1B

PAGE 0 R

NOV 30/18

FIG. ITEM	PART NUMBER	NOMENCLATURE	EFFECT FROM TO	UNITS PER ASSY	OBS
		1234567 			
1B- 1	TF57-20-02-01B-001	R.H. WING STRUCTURE - LEADING EDGE		RF	R
10	TB09 11011101	.R.H. SPAR		1	NP
20	TB10 11000005	.R.H. SMALL SPAR ASSY CAUTION : FOR REPAIR, REFER TO SB 10-081-57		1	
30	TB10 11000102	..R.H. SMALL SPAR		1	OR
40	TB10 11000105	..ANGLE BRACKET		2	OR
50	TB10 11000106	..ANGLE BRACKET		2	OR
60	TB10 11000103	..REINFORCEMENT PLATE		1	OR
70	TB10 11016000	..WING ROOT RIB ASSY		1	
80	TB10 11000008	.LEADING EDGE RIB ASSY		1	
90	TB10 11000007	.LEADING EDGE RIB ASSY		1	
100	TB10 11000116	.R.H. WING ROOT SKIN		1	NP
110	5431218040	.ANCHOR NUT, ONE LUG OPT TO 4SR2009M MADE BY VF0224 RPLD BY 5435218040		1	R
-110A	5435218040	.ANCHOR NUT, ONE LUG, FLOATING RPLS 5431218040		1	
120	5421218040	.ANCHOR NUT, TWO LUG OPT TO 4SR1009M MADE BY VF0224 RPLD BY 5425218040		5	R
-120A	5425218040	.ANCHOR NUT, TWO LUG, VF0224 FLOATING OPT TO 4SF5009M MADE BY VF0224 RPLS 5421218040		5	
130	TB10 11000180	.STIFFENER		1	
140	TB10 11012111	.LEADING EDGE RIB		2	
150	TB10 11012110	.LEADING EDGE RIB		1	
160	TB10 11012111	.LEADING EDGE RIB		1	
170	TB10 17010106	.SUPPORT BRACKET		2	OR
180	TB10 17010108	.STIFFENER BRACKET		1	OR
190	TB10 11001101	.UPPER SURFACE REINFORCEMENT PLATE		1	
200	TB10 11001102	.LOWER SURFACE REINFORCEMENT PLATE		1	
210	7640012713	.BLACK BLANKING CAP		1	
220	4299501101	.ANTI-SLIP SKIN		AR	

- ITEM NOT ILLUSTRATED

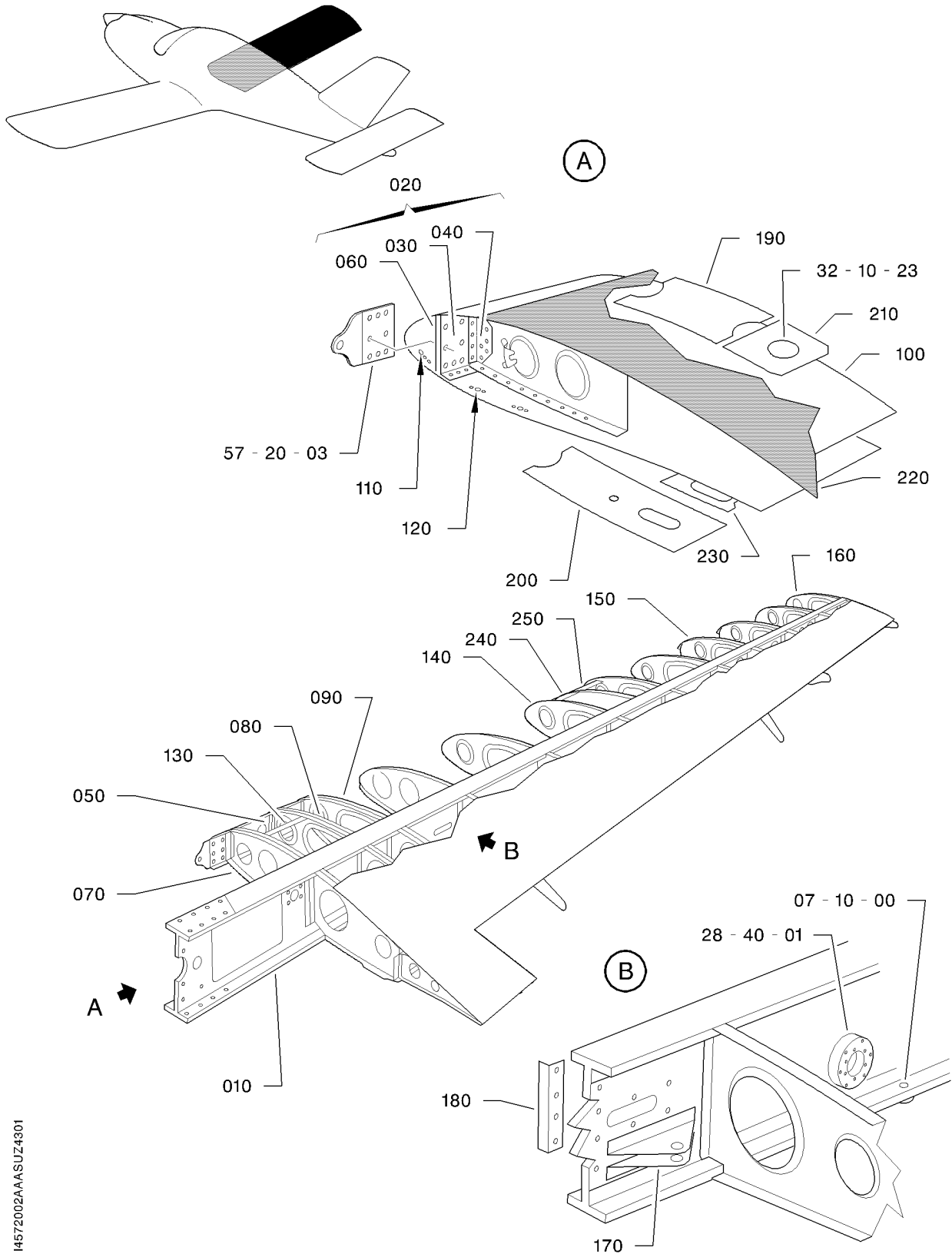
57-20-02

FIG. 1B

PAGE 1

NOV 30/18

S/N 1038 - 9999 WITH FUEL TANKS 20.1 U.S. GAL (76 L) FOR TELESCOPIC LEG MLG



R.H. WING STRUCTURE - LEADING EDGE
FIGURE 1C

57-20-02

FIG. 1C

PAGE 0 R

NOV 30/18

FIG.ITEM	PART NUMBER	NOMENCLATURE		EFFECT FROM TO	UNITS PER ASSY	OBS
		1	234567			
1C- 1	TF57-20-02-01C-001	R.H. WING STRUCTURE - LEADING EDGE			RF	
10	TB09 11011101	.R.H. SPAR			1	NP
20	TB10 11000005	.R.H. SMALL SPAR ASSY			1	
30	TB10 11000102	..R.H. SMALL SPAR			1	OR
40	TB10 11000105	..ANGLE BRACKET			2	OR
50	TB10 11000106	..ANGLE BRACKET			2	OR
60	TB10 11000103	..REINFORCEMENT PLATE			1	OR
70	TB10 11016000	..WING ROOT RIB ASSY			1	
80	TB10 11000008	.LEADING EDGE RIB ASSY			1	
90	TB10 11000007	.LEADING EDGE RIB ASSY			1	
100	TB09 11008107	.R.H. WING ROOT SKIN			1	
110	5435218040	.ANCHOR NUT, ONE LUG, FLOATING			1	
120	5425218040	.ANCHOR NUT, TWO LUG, VF0224 FLOATING OPT TO 4SF5009M MADE BY VF0224			5	
130	TB10 11000180	.STIFFENER			1	
140	TB10 11012111	.LEADING EDGE RIB			2	
150	TB10 11012110	.LEADING EDGE RIB			1	
160	TB10 11012111	.LEADING EDGE RIB			1	
170	TB10 17010106	.SUPPORT BRACKET			2	OR
180	TB10 17010108	.STIFFENER BRACKET			1	OR
190	TB10 11001101	.UPPER SURFACE REINFORCEMENT PLATE			1	
200	TB09 11009101	.LOWER SURFACE REINFORCEMENT PLATE			1	OR
210	TB10 11071100	.UPPER SURFACE REINFORCEMENT PLATE			1	
220	4299501101	.ANTI-SLIP SKIN			AR	
230	TB09 11009100	.SHIM			1	
240	TB10 0932511400	.STIFFENER			1	
250	TB10 0932511500	.STIFFENER			1	

- ITEM NOT ILLUSTRATED

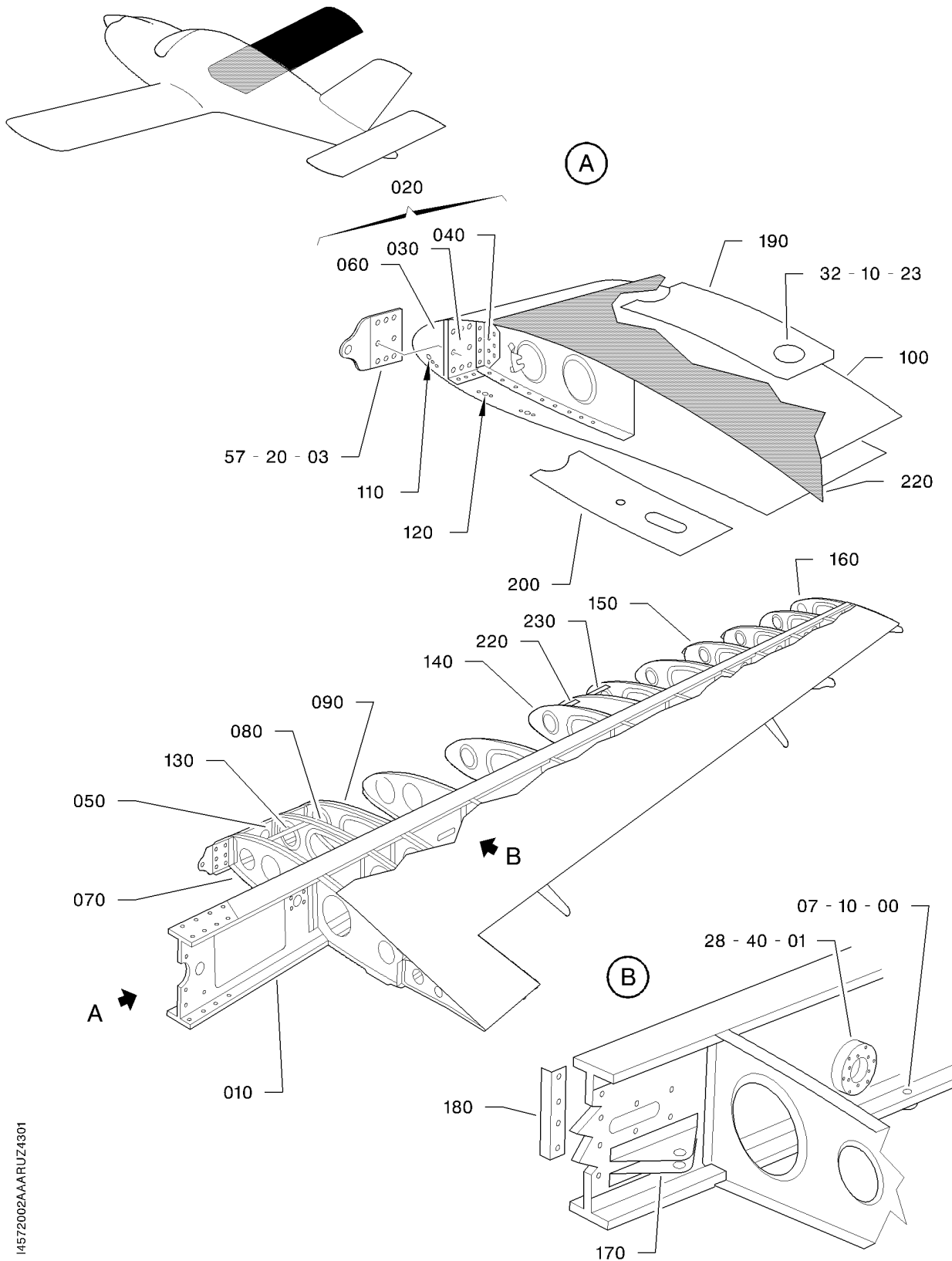
57-20-02

FIG. 1C

PAGE 1

NOV 30/18

FOR TRAILING ARM MLG WITH KIT OPT10 922100



14572002AAAFUZ4301

R.H. WING STRUCTURE - LEADING EDGE
FIGURE 1D

57-20-02

FIG. 1D

PAGE 0 R

NOV 30/18

FIG.ITEM	PART NUMBER	NOMENCLATURE	EFFECT FROM TO	UNITS PER ASSY	OBS
		1234567 			
1D- 1	TF57-20-02-01D-001	R.H. WING STRUCTURE - LEADING EDGE		RF	
10	TB09 11011101	.R.H. SPAR PRE-MOD. 152		1	NP
- 10A	TB09 1104110110	.R.H. SPAR POST-MOD. 152		1	NP
20	TB10 11000005	.R.H. SMALL SPAR ASSY		1	
30	TB10 11000102	..R.H. SMALL SPAR		1	OR
40	TB10 11000105	..ANGLE BRACKET		2	OR
50	TB10 11000106	..ANGLE BRACKET		2	OR
60	TB10 11000103	..REINFORCEMENT PLATE		1	OR
70	TB10 11016000	..WING ROOT RIB ASSY		1	
80	TB10 11000008	.LEADING EDGE RIB ASSY		1	
90	TB10 11000007	.LEADING EDGE RIB ASSY		1	
100	TB09 11009241	.R.H. WING ROOT SKIN		1	
110	5435218040	.ANCHOR NUT, ONE LUG, FLOATING		1	
120	5425218040	.ANCHOR NUT, TWO LUG, VF0224 FLOATING OPT TO 4SF5009M MADE BY VF0224		5	
130	TB10 11000180	.STIFFENER		1	
140	TB10 11012111	.LEADING EDGE RIB		2	
150	TB10 11012110	.LEADING EDGE RIB		1	
160	TB10 11012111	.LEADING EDGE RIB		1	
170	TB10 17010106	.SUPPORT BRACKET		2	OR
180	TB10 17010108	.STIFFENER BRACKET		1	OR
190	TB09 11013100	.UPPER SURFACE REINFORCEMENT PLATE		1	
200	TB09 11014100	.LOWER SURFACE REINFORCEMENT PLATE		1	OR
210	4299501101	.ANTI-SLIP SKIN		AR	
220	TB10 0932511400	.STIFFENER		1	
230	TB10 0932511500	.STIFFENER		1	

R

- ITEM NOT ILLUSTRATED

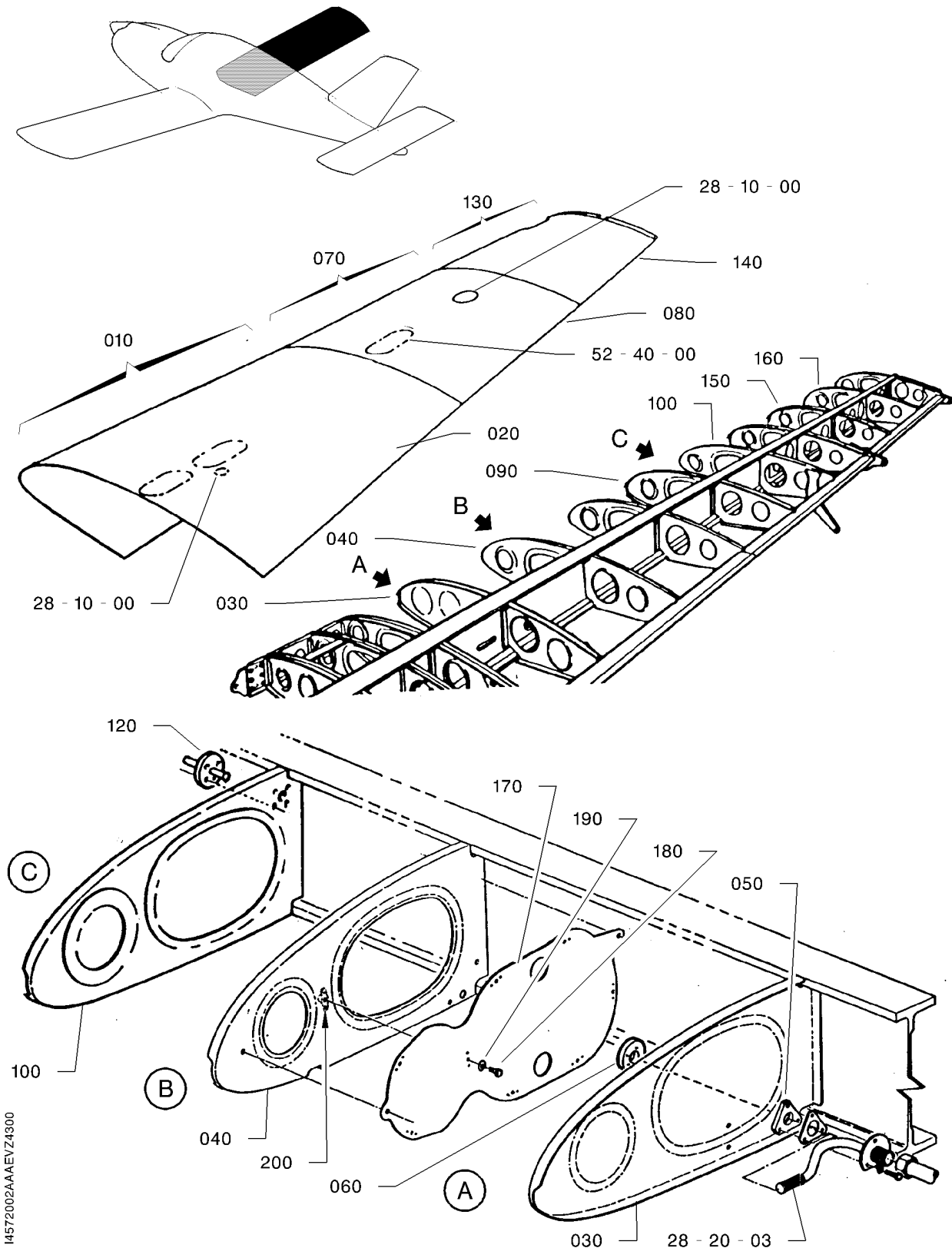
57-20-02

FIG. 1D

PAGE 1

NOV 30/18

S/N 1038 - 9999 WITH FUEL TANKS 20.1 U.S. GAL (76 L) FOR TRAILING ARM MLG



14572002AAA EVZ4300

R.H. WING STRUCTURE - LEADING EDGE ASSY
FIGURE 2

57-20-02

FIG. 2
PAGE 0 R

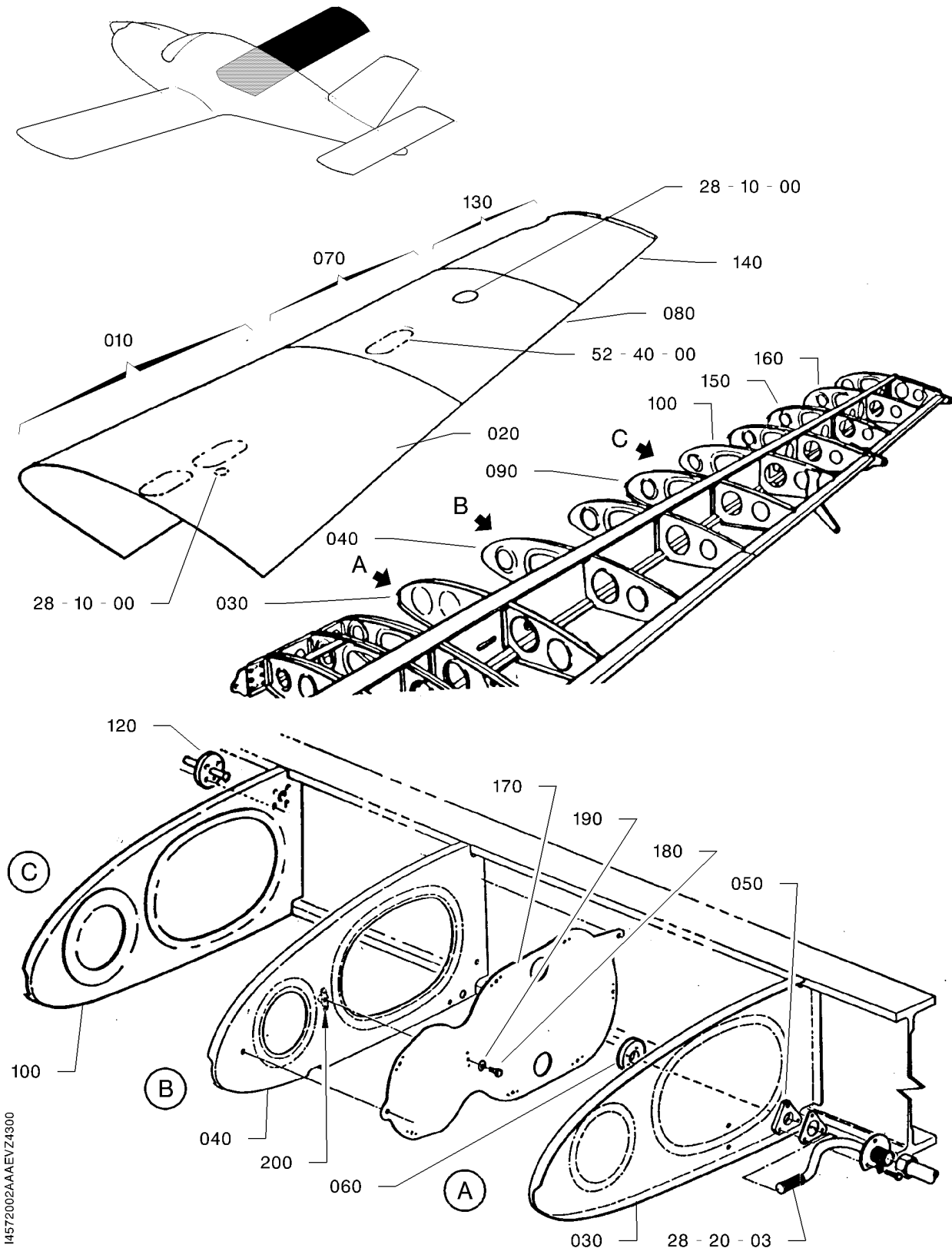
FIG. ITEM	PART NUMBER	NOMENCLATURE	EFFECT FROM TO	UNITS PER ASSY	OBS
		1234567 			
2 - 1	TF57-20-02-02-001	R.H. WING STRUCTURE - LEADING EDGE ASSY		RF	R
10	TB10 11900001	.R.H. LEADING EDGE ASSY		1	OR
20	TB10 11000118	..R.H. LEADING EDGE SKIN		1	NP
30	TB10 11017100	..FUEL TANK RIB, 4.61 FT		1	OR
40	TB10 11012103	..LEADING EDGE RIB AS SPARES, ORDER 1 RIB TB10 11030003 + 1 BLANKING PLATE TB10 11030106 + WASHERS 5701039160 (QTY 6) + BOLTS 5101229075 (QTY 6)		1	NP R
50	TB10 52017100	.FLANGE		1	OR
60	TB10 52017103	.WASHER		1	OR
70	TB10 11900003	.R.H. LEADING EDGE ASSY		1	OR
80	TB10 11000120	..R.H. LEADING EDGE SKIN		1	OR
90	TB10 11012104	..LEADING EDGE RIB		1	
100	TB10 11017103	..FUEL TANK RIB 9.97 FT		1	OR
120	TB10 52006002	.AIR VENT BASE		1	NP
130	TB10 11900005	.R.H. LEADING EDGE ASSY		1	OR
140	TB10 11000122	..R.H. LEADING EDGE SKIN SUPSD BY TB10 1104019101		1	NP R
-140A	TB10 1104019101	..R.H. LEADING EDGE SKIN SUPSDS TB10 11000122		1	R
150	TB10 11012104	..LEADING EDGE RIB		1	
160	TB10 11012105	..LEADING EDGE RIB		1	
170	TB10 11031102	.BLANKING PLATE ATTACHING PARTS		1	
180	5101229075	.BOLT		8	R
190	5701039160	.WASHER OPT TO NFL23111AD040L MADE BY VF0111		8	R
200	5421218040	.ANCHOR NUT, TWO LUG OPT TO 4SR1009M MADE BY VF0224 * * *		8	R

- ITEM NOT ILLUSTRATED

57-20-02

FIG. 2
PAGE 1

NOV 30/18



14572002AAA EVZ4300

R.H. WING STRUCTURE - LEADING EDGE ASSY
FIGURE 2A

57-20-02

FIG. 2A

PAGE 0 R

NOV 30/18

S/N 1 - 300 POST-SB 10-048-28 (KIT OPT10 915400) WITH FUEL TANKS 20.1 U.S. GAL (76 L)

FIG.ITEM	PART NUMBER	NOMENCLATURE	EFFECT FROM TO	UNITS PER ASSY	OBS
		1234567 			
2A- 1	TF57-20-02-02A-001	R.H. WING STRUCTURE - LEADING EDGE ASSY		RF	
10	TB10 11900001	.R.H. LEADING EDGE ASSY		1	OR
20	TB10 11000118	..R.H. LEADING EDGE SKIN		1	NP
30	TB10 11017100	..FUEL TANK RIB, 4.61 FT		1	OR
40	TB10 11012103	..LEADING EDGE RIB AS SPARES, ORDER 1 RIB TB10 11030003 + 1 BLANKING PLATE TB10 11030106 + WASHERS 5701039160 (QTY 6) + BOLTS 5101229075 (QTY 6)		1	NP R
50	TB10 52017100	.FLANGE		1	OR
60	TB10 52017103	.WASHER		1	OR
70	TB09 11900007	.R.H. LEADING EDGE ASSY		1	OR
80	TB10 11000120	..R.H. LEADING EDGE SKIN		1	OR
90	TB10 11012104	..LEADING EDGE RIB		1	
100	TB10 11017103	..FUEL TANK RIB 9.97 FT		1	OR
120	TB10 52006002	.AIR VENT BASE		1	NP
130	TB10 11900005	.R.H. LEADING EDGE ASSY		1	OR
140	TB10 11000122	..R.H. LEADING EDGE SKIN SUPSD BY TB10 1104019101		1	NP R
-140A	TB10 1104019101	..R.H. LEADING EDGE SKIN SUPSDS TB10 11000122		1	R
150	TB10 11012104	..LEADING EDGE RIB		1	
160	TB10 11012105	..LEADING EDGE RIB		1	
170	TB10 11031102	.BLANKING PLATE ATTACHING PARTS		1	
180	5101229075	.BOLT		8	R
190	5701039160	.WASHER OPT TO NFL23111AD040L MADE BY VF0111		8	R
200	5421218040	.ANCHOR NUT, TWO LUG OPT TO 4SR1009M MADE BY VF0224 * * *		8	R

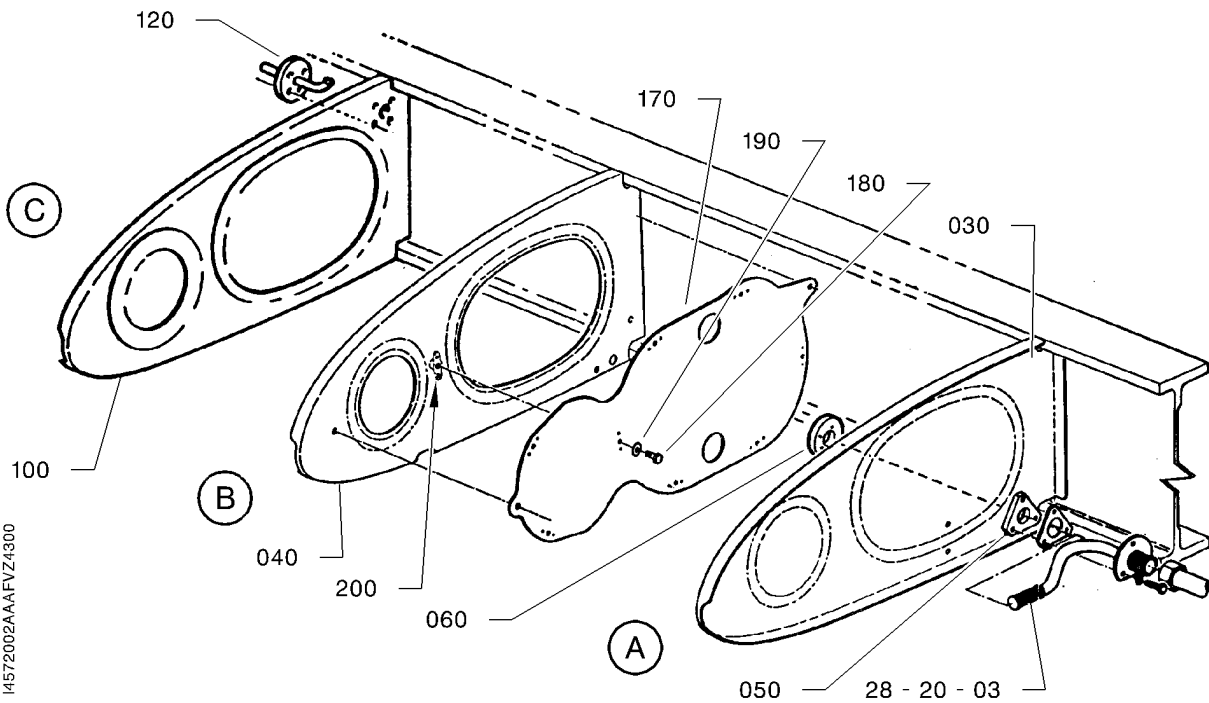
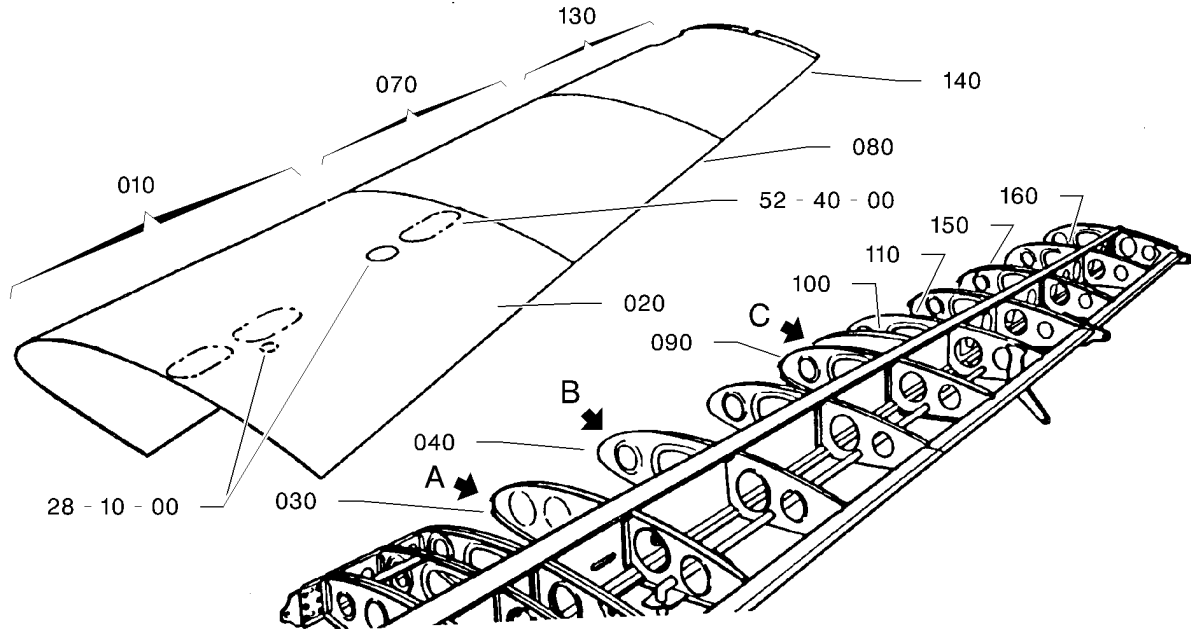
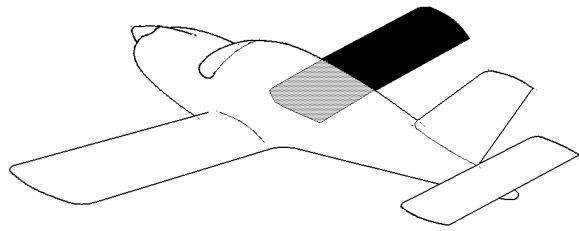
- ITEM NOT ILLUSTRATED

57-20-02

FIG. 2A

PAGE 1

NOV 30/18



14572002AAA FVZ4300

R.H. WING STRUCTURE - LEADING EDGE ASSY
FIGURE 2B

57-20-02

FIG. 2B

PAGE 0 R

NOV 30/18

S/N 275 - 764, 766 - 878, POST-SB 10-048-28 (KIT OPT10 915400), WITH FUEL TANKS 26.9 U.S. GAL (102 L)

FIG. ITEM	PART NUMBER	NOMENCLATURE	EFFECT FROM TO	UNITS PER ASSY	OBS
		1234567 			
2B- 1	TF57-20-02-02B-001	R.H. WING STRUCTURE - LEADING EDGE ASSY		RF	
10	TB10 11906001	.R.H. LEADING EDGE ASSY		1	OR
20	TB10 11006118	..R.H. LEADING EDGE SKIN TANK FILLER CAP OPENING, DIA. 3.54 IN (90 MM)		1	NP
- 20A	TB10 11006160	..R.H. LEADING EDGE SKIN TANK FILLER CAP OPENING, DIA 3.98 IN (100 MM) RPLD BY TB10 11009185		1	NP
30	TB10 11017100	..FUEL TANK RIB, 4.61 FT		1	OR
40	TB10 11012103	..LEADING EDGE RIB AS SPARES, ORDER 1 RIB TB10 11030003 + 1 BLANKING PLATE TB10 11030106 + WASHERS 5701039160 (QTY 6) + BOLTS 5101229075 (QTY 6)		1	NP R
50	TB10 52017100	.FLANGE		1	OR
60	TB10 52017103	.WASHER		1	OR
70	TB10 11906003	.R.H. LEADING EDGE ASSY		1	OR
80	TB10 11006120	..R.H. LEADING EDGE SKIN		1	OR
90	TB10 11012104	..LEADING EDGE RIB		1	
100	TB10 11017103	..FUEL TANK RIB 9.97 FT		1	OR
110	TB10 11012105	..LEADING EDGE RIB		1	
120	TB10 52010005	.R.H. AIR VENT FLANGE		1	OR
130	TB10 11906005	.R.H. LEADING EDGE ASSY		1	OR
140	TB10 11000122	..R.H. LEADING EDGE SKIN SUPSD BY TB10 1104019101		1	NP R
-140A	TB10 1104019101	..R.H. LEADING EDGE SKIN SUPSDS TB10 11000122		1	R
150	TB10 11012104	..LEADING EDGE RIB		1	
160	TB10 11012105	..LEADING EDGE RIB		1	
170	TB10 11031102	.BLANKING PLATE ATTACHING PARTS		1	
180	5101229075	.BOLT		8	R
190	5701039160	.WASHER OPT TO NFL23111AD040L MADE BY VF0111		8	R
200	5421218040	.ANCHOR NUT, TWO LUG OPT TO 4SR1009M MADE BY VF0224 * * *		8	R

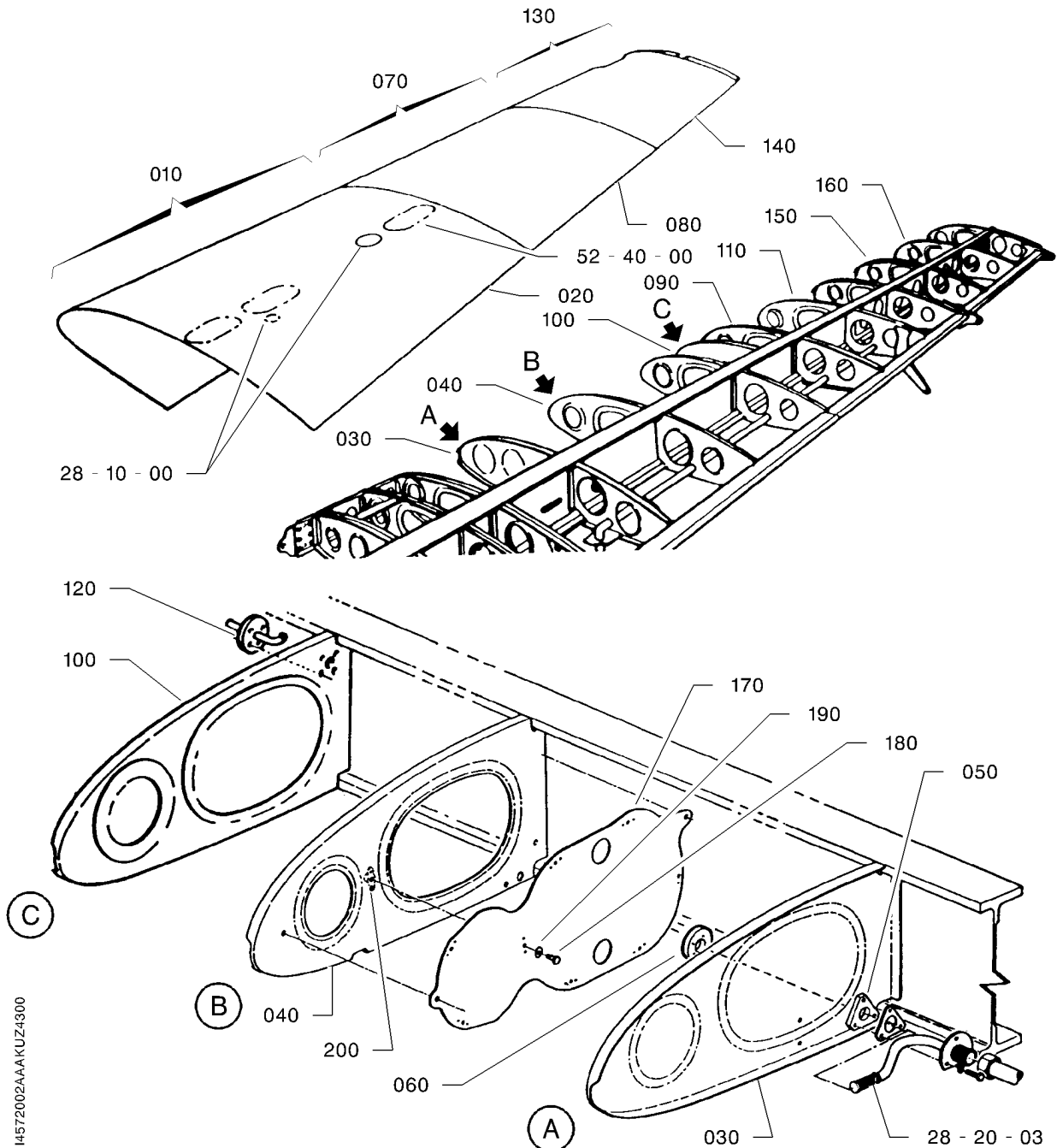
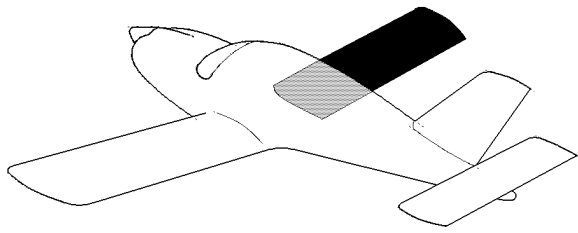
- ITEM NOT ILLUSTRATED

57-20-02

FIG. 2B

PAGE 1

NOV 30/18



R.H. WING STRUCTURE - LEADING EDGE ASSY
FIGURE 2C

57-20-02

FIG. 2C

PAGE 0 R

NOV 30/18

FIG. ITEM	PART NUMBER	1234567 	NOMENCLATURE	EFFECT FROM TO	UNITS PER ASSY	OBS
2C- 1	TF57-20-02-02C-001		R.H. WING STRUCTURE - LEADING EDGE ASSY		RF	
10	TB09 11900001		.R.H. LEADING EDGE ASSY		1	OR
20	TB09 11000101		..R.H. LEADING EDGE SKIN TANK FILLER CAP OPENING, DIA. 3.54 IN (90 MM)		1	NP
- 20A	TB09 11000105		..R.H. LEADING EDGE SKIN TANK FILLER CAP OPENING, DIA 3.98 IN (100 MM) RPLD BY TB09 11000119		1	NP
30	TB10 11017100		..FUEL TANK RIB, 4.61 FT		1	OR
40	TB10 11012103		..LEADING EDGE RIB AS SPARES, ORDER 1 RIB TB10 11030003 + 1 BLANKING PLATE TB10 11030106 + WASHERS 5701039160 (QTY 6) + BOLTS 5101229075 (QTY 6)		1	NP R
50	TB10 52017100		.FLANGE		1	OR
60	TB10 52017103		.WASHER		1	OR
70	TB09 11900003		.R.H. LEADING EDGE ASSY		1	OR
80	TB09 11000103		..R.H. LEADING EDGE SKIN		1	OR
90	TB10 11012104		..LEADING EDGE RIB		1	
100	TB10 11017103		..FUEL TANK RIB 9.97 FT		1	OR
110	TB10 11012105		..LEADING EDGE RIB		1	
120	TB09 52010003		.R.H. AIR VENT BASE		1	OR
130	TB10 11906005		.R.H. LEADING EDGE ASSY		1	OR
140	TB10 11000122		..R.H. LEADING EDGE SKIN SUPSD BY TB10 1104019101		1	NP R
-140A	TB10 1104019101		..R.H. LEADING EDGE SKIN SUPSDS TB10 11000122		1	R
150	TB10 11012104		..LEADING EDGE RIB		1	
160	TB10 11012105		..LEADING EDGE RIB		1	
170	TB10 11031102		.BLANKING PLATE ATTACHING PARTS		1	
180	5101229075		.BOLT		8	R
190	5701039160		.WASHER OPT TO NFL23111AD040L MADE BY VF0111		8	R
200	5421218040		.ANCHOR NUT, TWO LUG OPT TO 4SR1009M MADE BY VF0224 * * *		8	R

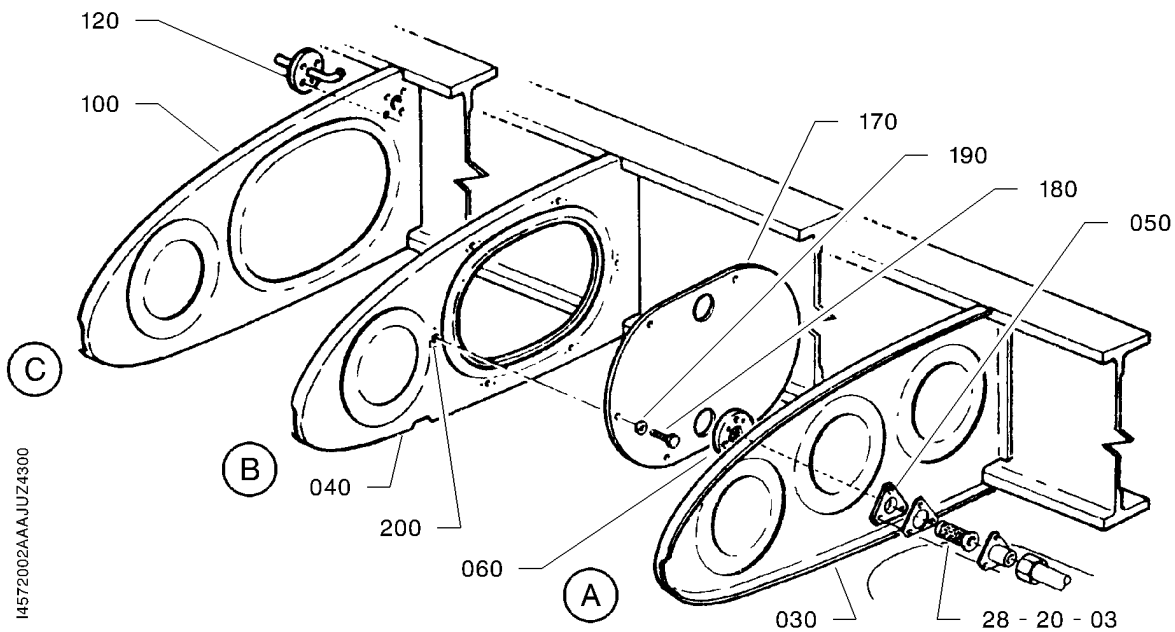
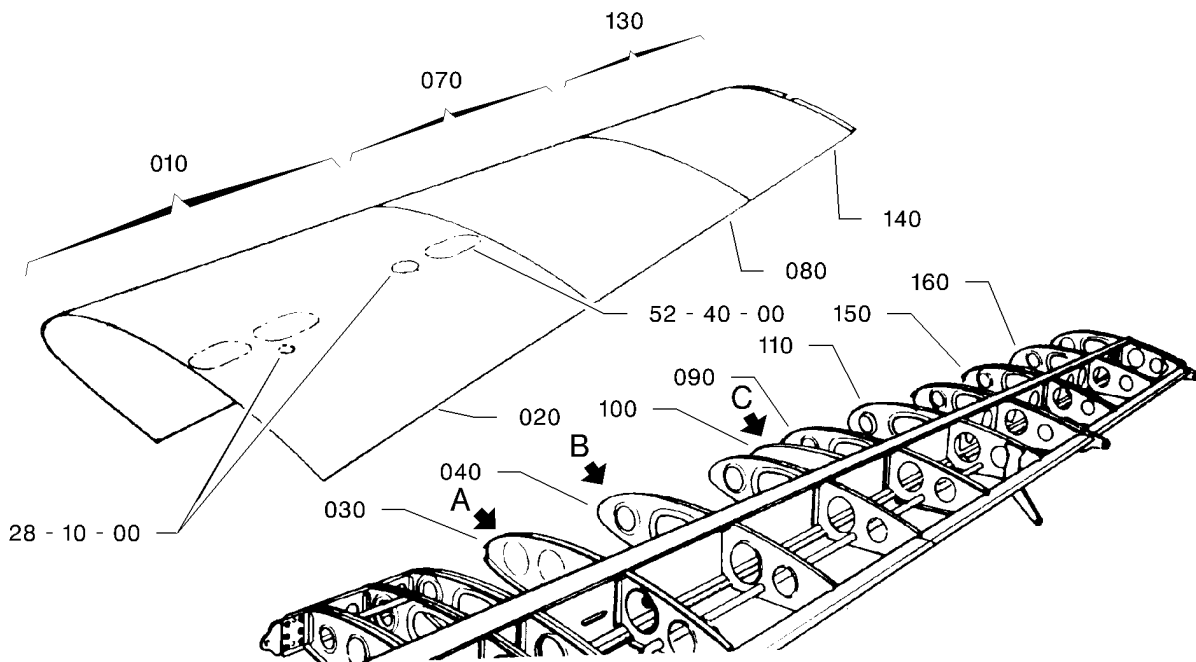
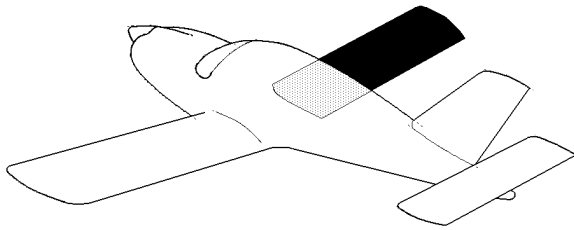
- ITEM NOT ILLUSTRATED

57-20-02

FIG. 2C

PAGE 1

NOV 30/18



R.H. WING STRUCTURE - LEADING EDGE ASSY
FIGURE 2D

57-20-02

FIG. 2D

PAGE 0 R

NOV 30/18

14572002AAA J U Z 4300

FIG.ITEM	PART NUMBER	1234567 	NOMENCLATURE	EFFECT FROM TO	UNITS PER ASSY	OBS
2D- 1	TF57-20-02-02D-001		R.H. WING STRUCTURE - LEADING EDGE ASSY		RF	
10	TB09 11900001		.R.H. LEADING EDGE ASSY S/N 1038 - 1900		1	OR
- 10A	TB10 1100601401		.R.H. LEADING EDGE ASSY S/N 1901 - 9999		1	OR
20	TB09 11000119		..R.H. LEADING EDGE SKIN RPLD BY TB10 11008004		1	OR
30	TB10 11032100		..FUEL TANK RIB, 4.61 FT		1	OR
40	TB10 11030003		..LEADING EDGE RIB		1	OR
50	TB10 52017100		.FLANGE		1	OR
60	TB10 52017103		.WASHER		1	OR
70	TB09 11900003		.R.H. LEADING EDGE ASSY S/N 1038 - 1900		1	OR
- 70A	TB10 1100601402		.R.H. LEADING EDGE ASSY S/N 1901 - 9999		1	OR
80	TB09 11000103		..R.H. LEADING EDGE SKIN		1	OR
90	TB10 11012110		..LEADING EDGE RIB		1	
100	TB10 11017103		..FUEL TANK RIB 9.97 FT		1	OR
110	TB10 11012111		..LEADING EDGE RIB		1	
120	TB09 52010003		.R.H. AIR VENT BASE		1	OR
130	TB10 11906005		.R.H. LEADING EDGE ASSY		1	OR
140	TB10 11000122		..R.H. LEADING EDGE SKIN SUPSD BY TB10 1104019101		1	NP R
-140A	TB10 1104019101		..R.H. LEADING EDGE SKIN SUPSDS TB10 11000122		1	R
150	TB10 11012110		..LEADING EDGE RIB		1	
160	TB10 11012111		..LEADING EDGE RIB		1	
170	TB10 11030106		.BLANKING PLATE ATTACHING PARTS		1	
180	5101229075		.BOLT		6	R
190	5701039160		.WASHER OPT TO NFL23111AD040L MADE BY VF0111		6	R
200	5421218040		.ANCHOR NUT, TWO LUG OPT TO 4SR1009M MADE BY VF0224 * * *		6	R

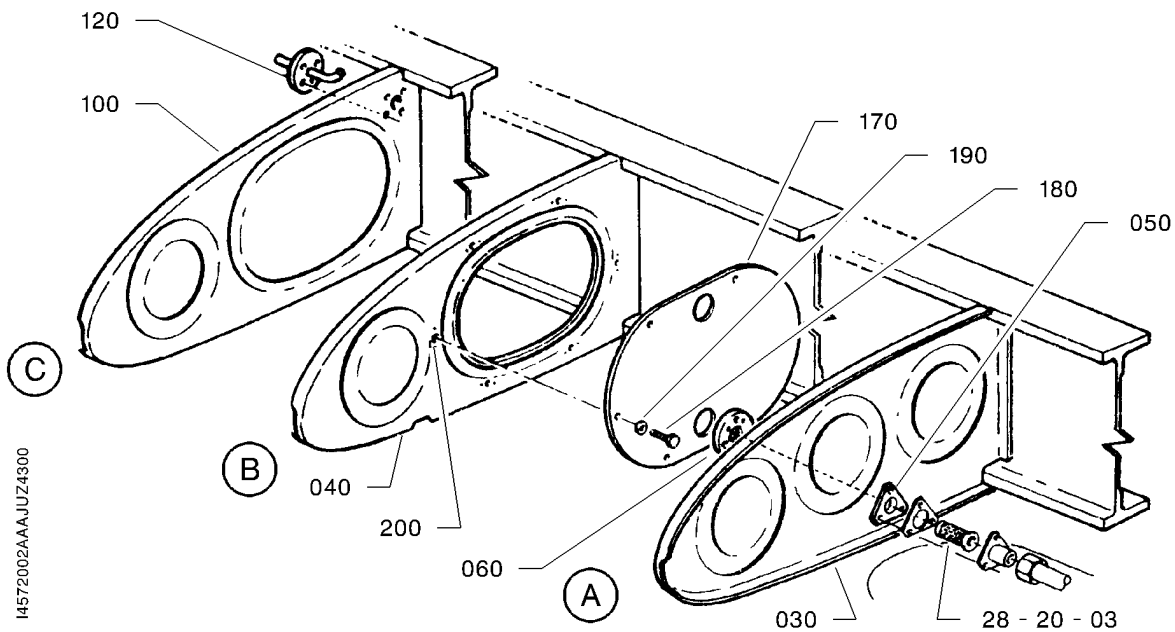
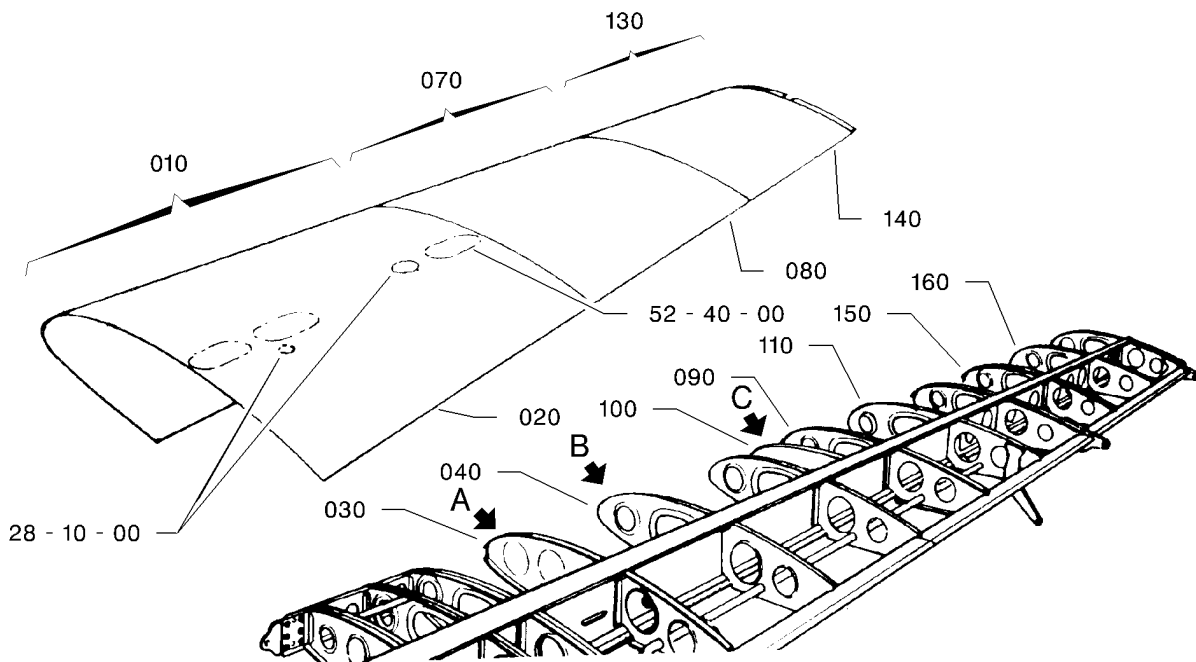
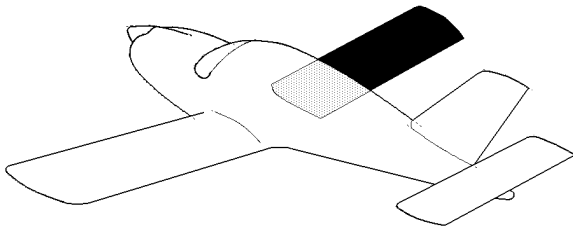
- ITEM NOT ILLUSTRATED

57-20-02

FIG. 2D

PAGE 1

NOV 30/18



14572002AAA JUZ4300

R.H. WING STRUCTURE - LEADING EDGE ASSY
FIGURE 2E

57-20-02

FIG. 2E

PAGE 0 R

NOV 30/18

FIG.ITEM	PART NUMBER	1234567 	NOMENCLATURE	EFFECT FROM TO	UNITS PER ASSY	OBS
2E- 1	TF57-20-02-02E-001		R.H. WING STRUCTURE - LEADING EDGE ASSY		RF	R
10	TB09 1100200102		.R.H. LEADING EDGE ASSY		1	OR
20	TB09 11000119		..R.H. LEADING EDGE SKIN		1	OR
30	TB10 1103210701		..FUEL TANK RIB, 4.61 FT		1	OR
40	TB10 11030003		..LEADING EDGE RIB		1	OR
50	TB10 52017100		.FLANGE		1	OR
60	TB10 52017103		.WASHER		1	OR
70	TB09 1100200103		.R.H. LEADING EDGE ASSY		1	OR
80	TB09 11000103		..R.H. LEADING EDGE SKIN		1	OR
90	TB10 11012110		..LEADING EDGE RIB		1	
100	TB10 11017103		..FUEL TANK RIB 9.97 FT		1	OR
110	TB10 11012111		..LEADING EDGE RIB		1	
120	TB09 52010003		.R.H. AIR VENT BASE		1	OR
130	TB10 1104000104		.R.H. LEADING EDGE ASSY		1	OR
140	TB10 11000122		..R.H. LEADING EDGE SKIN SUPSD BY TB10 1104019101		1	NP R
-140A	TB10 1104019101		..R.H. LEADING EDGE SKIN SUPSDS TB10 11000122		1	R
150	TB10 11012110		..LEADING EDGE RIB		1	
160	TB10 11012111		..LEADING EDGE RIB		1	
170	TB10 11030106		.BLANKING PLATE ATTACHING PARTS		1	
180	5101229075		.BOLT		6	R
190	5701039160		.WASHER OPT TO NFL23111AD040L MADE BY VF0111		6	R
200	5421218040		.ANCHOR NUT, TWO LUG OPT TO 4SR1009M MADE BY VF0224 * * *		6	R

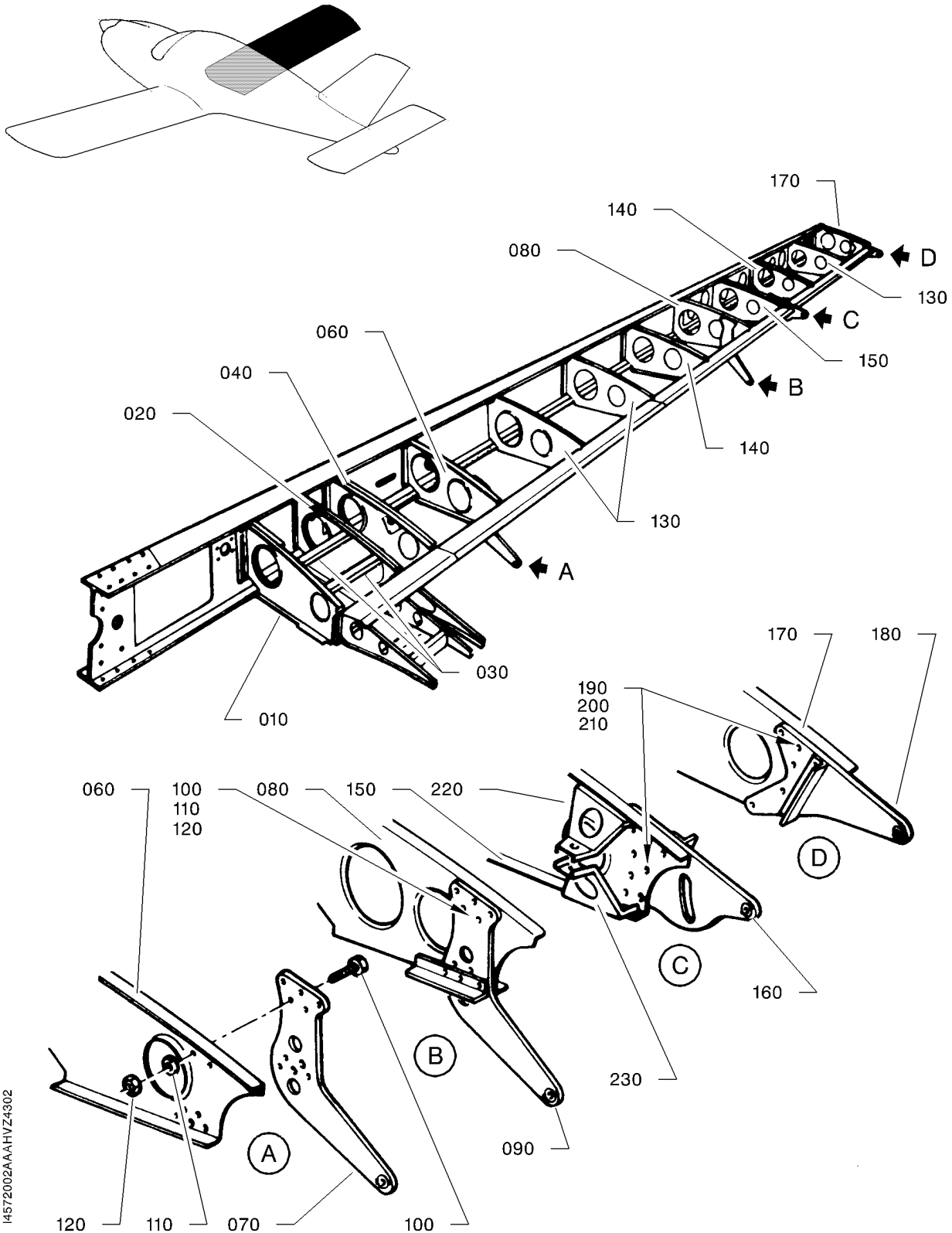
- ITEM NOT ILLUSTRATED

57-20-02

FIG. 2E

PAGE 1

NOV 30/18



14572002AAAHVZ4302

R.H. WING STRUCTURE - RIBS ON TRAILING EDGE
FIGURE 3

57-20-02

FIG. 3
PAGE 0 R
NOV 30/18

FIG.ITEM	PART NUMBER	1234567 	NOMENCLATURE	EFFECT FROM TO	UNITS PER ASSY	OBS
3 - 1	TF57-20-02-03-001		R.H. WING STRUCTURE - RIBS ON TRAILING EDGE		RF	
10	TB10 11015005		.REAR WING ROOT RIB		1	
20	TB10 11015003		.RIB ASSY S/N 1 - 1442, 1444 - 1574 SB 10-085 RPLD BY OPT10 910800		1	NP
- 20A	TB10 11008002		.REINFORCED RIB S/N 1443, 1575 - 9999 RPLD BY TB10 11008004		1	OR
- 20B	TB10 11008004		.REINFORCED RIB RPLS TB10 11008002		1	
30	TB10 11004107		.STIFFENER		2	OR
40	TB10 11015002		.RIB ASSY S/N 1 - 1442, 1444 - 1574 SB 10-085 RPLD BY OPT10 910800		1	NP
- 40A	TB10 11008001		.REINFORCED RIB S/N 1443, 1575 - 9999 RPLD BY TB10 11008003		1	OR
- 40B	TB10 11008003		.REINFORCED RIB RPLS TB10 11008001		1	
60	TB10 11002001		.REAR RIB ASSY		1	
70	TB10 11002004		..ARM ASSY		1	
80	TB10 11002000		.REAR RIB ASSY		1	
90	TB10 11002004		..ARM ASSY		1	
			ATTACHING PARTS			
100	5101229087		..BOLT		20	R
110	5703389160		..WASHER		20	
120	5401458159		..NUT OPT TO E25412B40QQVAL MADE BY VF0110 SUPSD BY 5414468159		20	R
-120A	5414468159		..NUT OPT TO 4PH135M MADE BY VF0224 SUPSDS 5401458159		20	R
			* * *			
130	TB10 11014101		.REAR RIB		3	
140	TB10 11014100		.REAR RIB		2	
150	TB10 11003001		.REAR RIB ASSY		1	
160	TB10 11003005		..ARM ASSY		1	
170	TB10 11003003		.REAR RIB ASSY		1	
180	TB10 11003004		..ARM ASSY		1	
			ATTACHING PARTS			
190	5101229087		..BOLT		18	R
200	5703389160		..WASHER		18	

- ITEM NOT ILLUSTRATED

57-20-02

FIG. 3

PAGE 1

NOV 30/18

FIG.ITEM	PART NUMBER	1234567 	NOMENCLATURE	EFFECT FROM TO	UNITS PER ASSY	OBS
3 210	5401458159		..NUT OPT TO E25412B40QQVAL MADE BY VF0110 SUPSD BY 5414468159		18	R
-210A	5414468159		..NUT OPT TO 4PH135M MADE BY VF0224 SUPSDS 5401458159 * * *		18	R
220	TB10 17011119		.HALF-SUPPORT		1	OR
230	TB10 17011118		.HALF-SUPPORT		1	OR

- ITEM NOT ILLUSTRATED

57-20-02

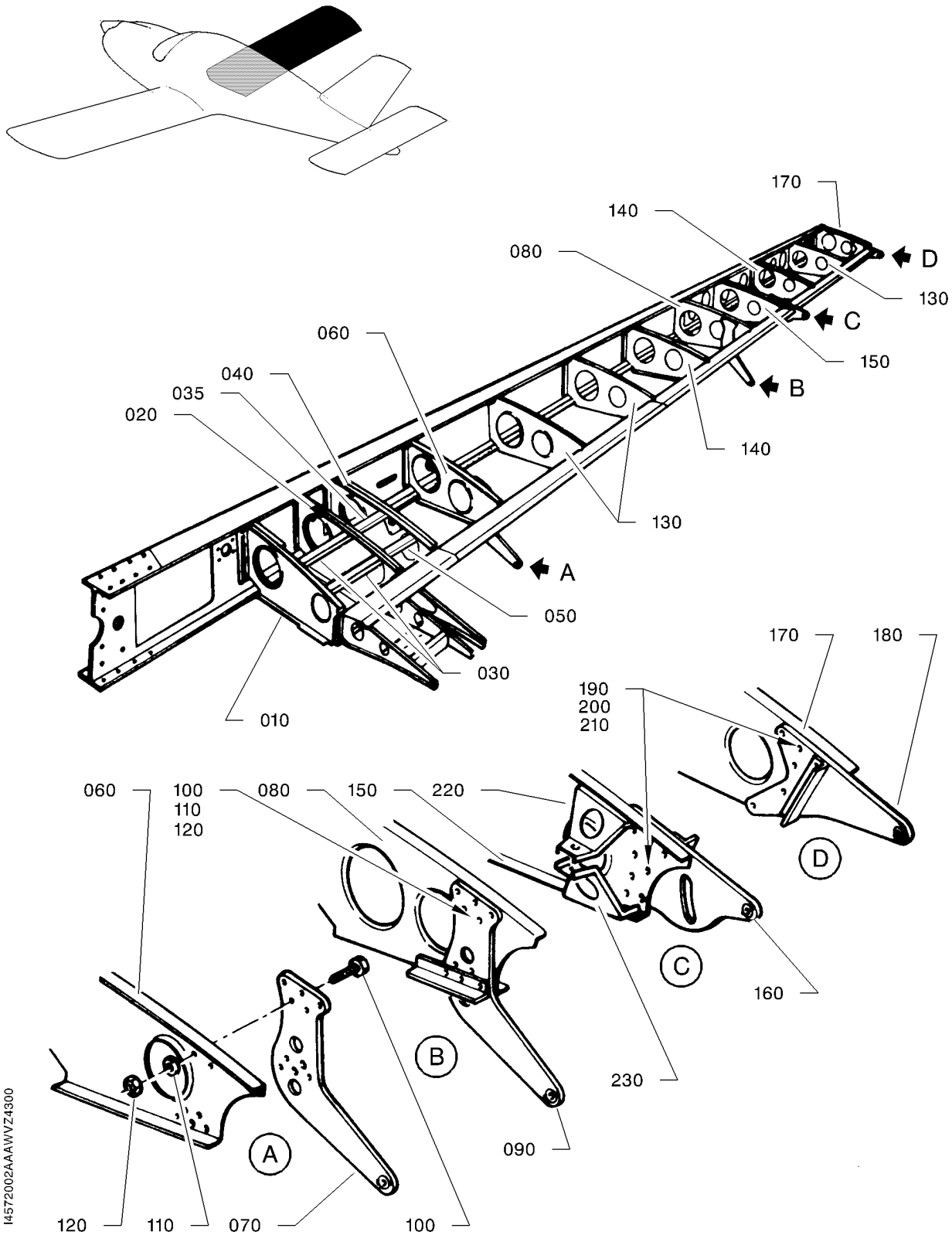
FIG. 3

PAGE 2

NOV 30/18

FOR TELESCOPIC LEG MLG

PAGE INTENTIONALLY BLANK



R.H. WING STRUCTURE - RIBS ON TRAILING EDGE
FIGURE 3A

57-20-02

FIG. 3A

PAGE 0 R

NOV 30/18

FIG.ITEM	PART NUMBER	NOMENCLATURE	EFFECT FROM TO	UNITS PER ASSY	OBS
		1234567 			
3A- 1	TF57-20-02-03A-001	R.H. WING STRUCTURE - RIBS ON TRAILING EDGE		RF	R
10	TB10 11015005	.REAR WING ROOT RIB		1	
20	TB09 1101000301	.RIB ASSY		1	
30	TB10 11004107	.STIFFENER		2	OR
35	TB10 11057100	.ANGLE BRACKET		1	
40	TB09 1101000300	.RIB ASSY		1	
50	TB09 11020100	.ANGLE BRACKET		1	
60	TB10 11002001	.REAR RIB ASSY		1	
70	TB10 11002004	..ARM ASSY		1	
80	TB10 11002000	.REAR RIB ASSY		1	
90	TB10 11002004	..ARM ASSY		1	
		ATTACHING PARTS			
100	5101229087	..BOLT		20	R
110	5703389160	..WASHER		20	
120	5401458159	..NUT		20	R
		OPT TO E25412B40QQVAL MADE BY VF0110 SUPSD BY 5414468159			
-120A	5414468159	..NUT		20	R
		OPT TO 4PH135M MADE BY VF0224 SUPSDS 5401458159			
		* * *			
130	TB10 11014101	.REAR RIB		3	
140	TB10 11014100	.REAR RIB		2	
150	TB10 11003001	.REAR RIB ASSY		1	
160	TB10 11003005	..ARM ASSY		1	
170	TB10 11003003	.REAR RIB ASSY		1	
180	TB10 11003004	..ARM ASSY		1	
		ATTACHING PARTS			
190	5101229087	..BOLT		18	R
200	5703389160	..WASHER		18	
210	5401458159	..NUT		18	R
		OPT TO E25412B40QQVAL MADE BY VF0110 SUPSD BY 5414468159			
-210A	5414468159	..NUT		18	R
		OPT TO 4PH135M MADE BY VF0224 SUPSDS 5401458159			
		* * *			
220	TB10 17011119	.HALF-SUPPORT		1	OR
230	TB10 17011118	.HALF-SUPPORT		1	OR

- ITEM NOT ILLUSTRATED

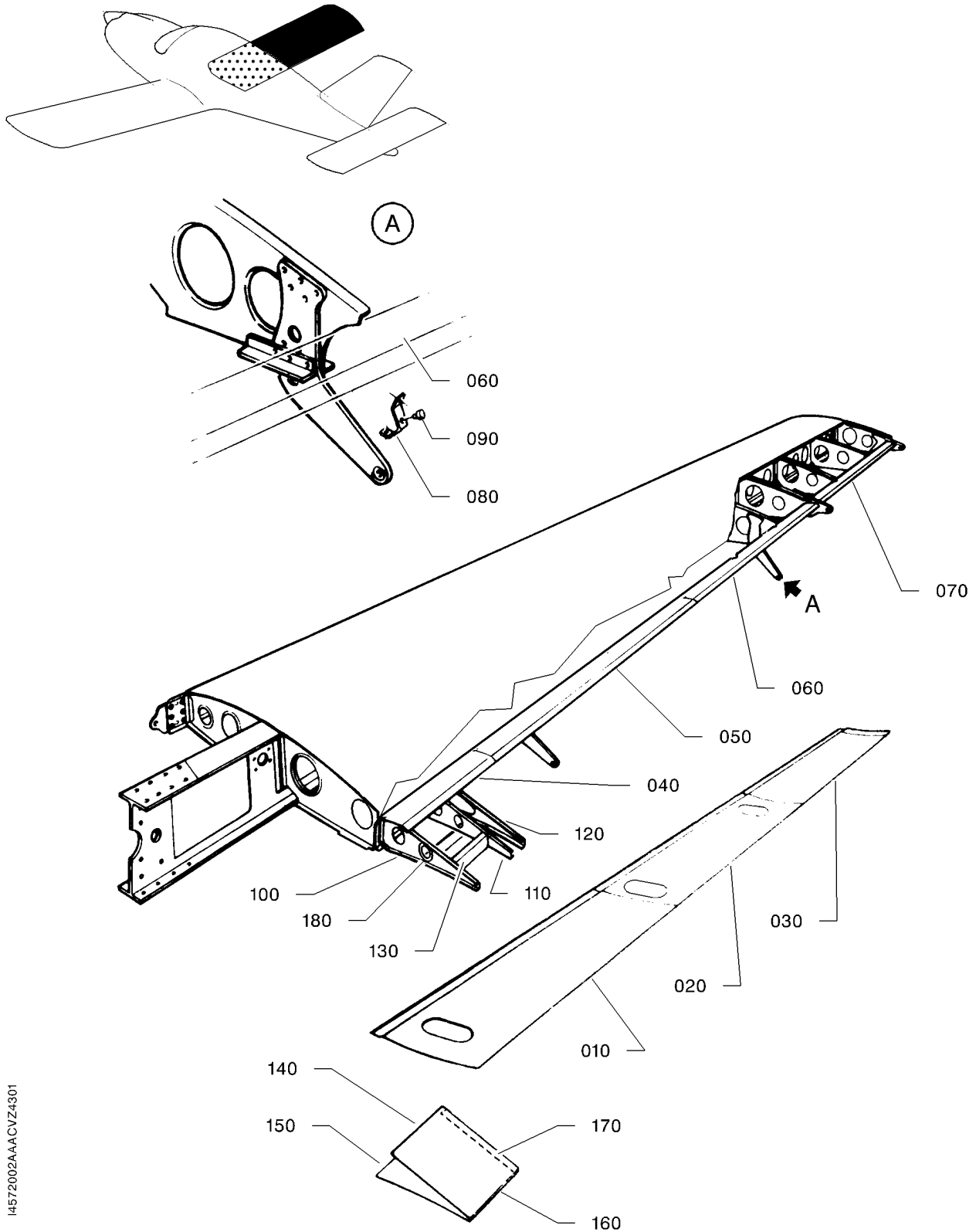
57-20-02

FIG. 3A

PAGE 1

NOV 30/18

FOR TRAILING ARM MLG



14572002AAAACVZ4301

R.H. WING STRUCTURE - TRAILING EDGE SKINS
FIGURE 4

57-20-02

FIG. 4
PAGE 0 R
NOV 30/18

FIG. ITEM	PART NUMBER	NOMENCLATURE	EFFECT FROM TO	UNITS PER ASSY	OBS
		1234567 			
4 - 1	TF57-20-02-04-001	R.H. WING STRUCTURE - TRAILING EDGE SKINS		RF	
10	TB10 11000126	.R.H. REAR SKIN		1	OR
20	TB10 11000128	.R.H. REAR SKIN S/N 1 - 274, ONLY ONE INSPECTION DOOR AND S/N 275 - 9999, 2 INSPECTION DOORS		1	OR
30	TB10 11000130	.R.H. REAR SKIN		1	OR
40	TB10 11000108	.R.H. REAR SMALL SPAR		1	
50	TB10 11000110	.R.H. REAR SMALL SPAR		1	OR
60	TB10 11000112	.R.H. REAR SMALL SPAR		1	OR
70	TB10 11000114	.R.H. REAR SMALL SPAR		1	OR
- 70A	TB10 1100623700	.R.H. REAR SMALL SPAR		1	OR
80	TB10 11002111	.STOP SUPPORT		2	
90	7103680723	.STOP VFA870 OPT TO 723 MADE BY VFA870		2	
100	TB20 11004101	.FOOTSTEP RIB S/N 1 - XXXX RPLD BY TB20 11004119		1	OR
-100A	TB20 11004119	.FOOTSTEP RIB RPLS TB20 11004101		1	OR
110	TB20 11004100	.FOOTSTEP RIB S/N 1 - XXXX RPLD BY TB20 11004118		1	OR
-110A	TB20 11004118	.FOOTSTEP RIB RPLS TB20 11004100		1	OR
120	TB20 11023103	.BLANKING RIB S/N 1 - XXXX RPLD BY TB20 11004121		1	OR
-120A	TB20 11004121	.BLANKING RIB RPLS TB20 11023103		1	OR
130	TB10 11004106	.STIFFENER		1	
140	TB10 11023104	.UPPER SURFACE SKIN S/N 1 - 1844, 1850, 1856 - 1860 RPLD BY TB10 1102312101		1	OR
-140A	TB10 1102312101	.UPPER SURFACE SKIN RPLS TB10 11023104		1	
150	TB10 11023108	.LOWER SURFACE SKIN		1	
160	TB10 11023110	.SHIM		1	
170	4813068260	.ADHESIVE TAPE		AR	
180	4343935210	.PROTECTION EDGING VF3341 OPT TO NSA939510 MADE BY VF3341		AR	

- ITEM NOT ILLUSTRATED

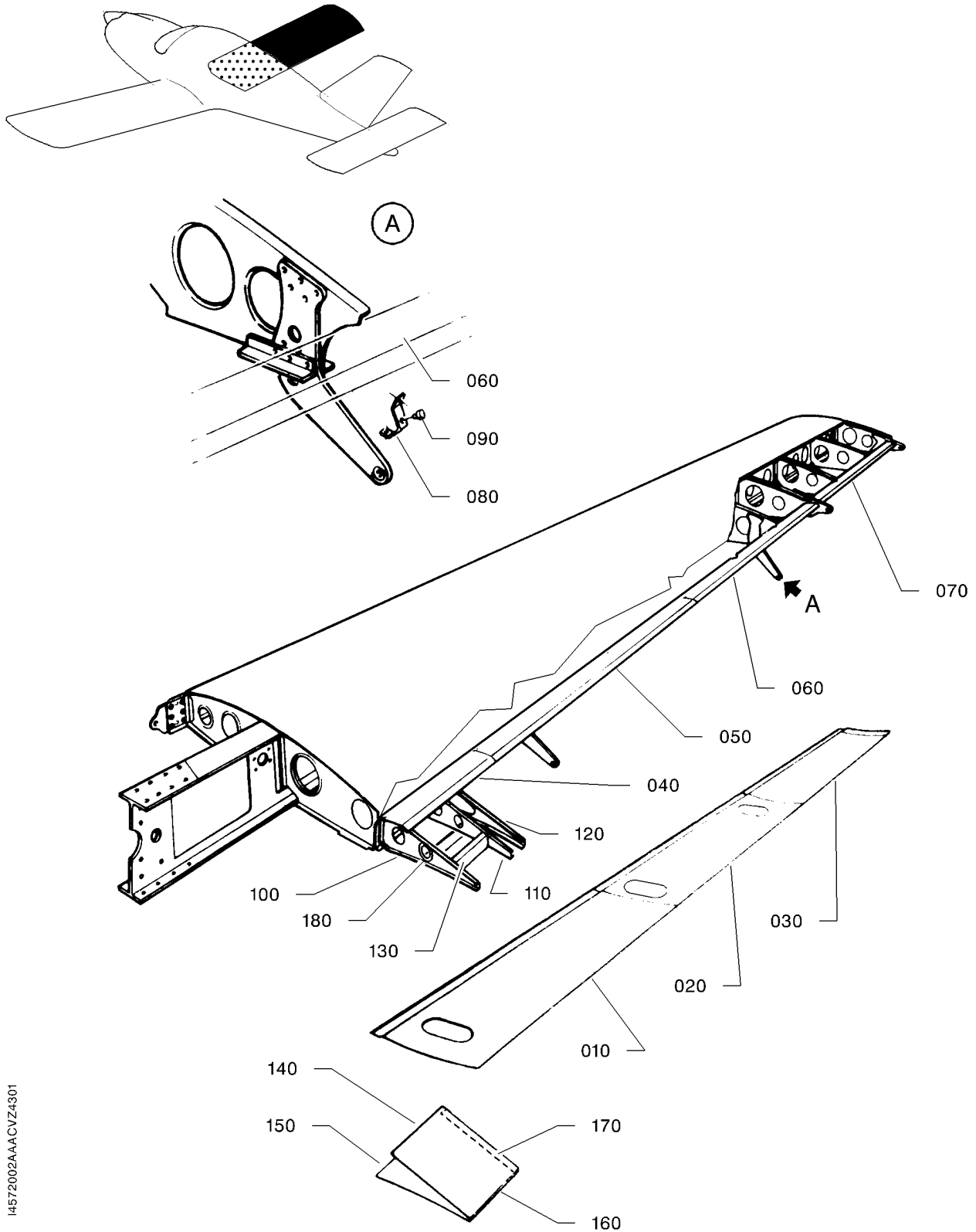
57-20-02

FIG. 4

PAGE 1

NOV 30/18

FOR TELESCOPIC LEG MLG



14572002AAA CVZ4301

R.H. WING STRUCTURE - TRAILING EDGE SKINS
FIGURE 4A

57-20-02

FIG. 4A

PAGE 0 R

NOV 30/18

FIG.ITEM	PART NUMBER	NOMENCLATURE	EFFECT FROM TO	UNITS PER ASSY	OBS
		1234567 			
4A- 1	TF57-20-02-04A-001	R.H. WING STRUCTURE - TRAILING EDGE SKINS		RF	R
10	TB10 11009234	.LOWER SURFACE SKIN		1	OR
20	TB10 11000128	.R.H. REAR SKIN		1	OR
30	TB10 11000130	.R.H. REAR SKIN		1	OR
40	TB10 11000108	.R.H. REAR SMALL SPAR		1	
50	TB10 11000110	.R.H. REAR SMALL SPAR		1	OR
60	TB10 11000112	.R.H. REAR SMALL SPAR		1	OR
70	TB10 11000114	.R.H. REAR SMALL SPAR VARIANT		1	OR
- 70A	TB10 1100623700	.R.H. REAR SMALL SPAR VARIANT		1	OR
80	TB10 11002111	.STOP SUPPORT		2	
90	7103680723	.STOP VFA870 OPT TO 723 MADE BY VFA870		2	
100	TB20 11004119	.FOOTSTEP RIB		1	OR
110	TB20 11004118	.FOOTSTEP RIB		1	OR
120	TB20 11004121	.BLANKING RIB		1	OR
130	TB10 11004106	.STIFFENER		1	
140	TB10 11023104	.UPPER SURFACE SKIN S/N 1 - 1844, 1850, 1856 - 1860 RPLD BY TB10 1102312101		1	OR R
-140A	TB10 1102312101	.UPPER SURFACE SKIN RPLS TB10 11023104		1	
150	TB10 11023108	.LOWER SURFACE SKIN		1	
160	TB10 11023110	.SHIM		1	
170	4813068260	.ADHESIVE TAPE		AR	
180	4343935210	.PROTECTION EDGING VF3341 OPT TO NSA939510 MADE BY VF3341		AR	

- ITEM NOT ILLUSTRATED

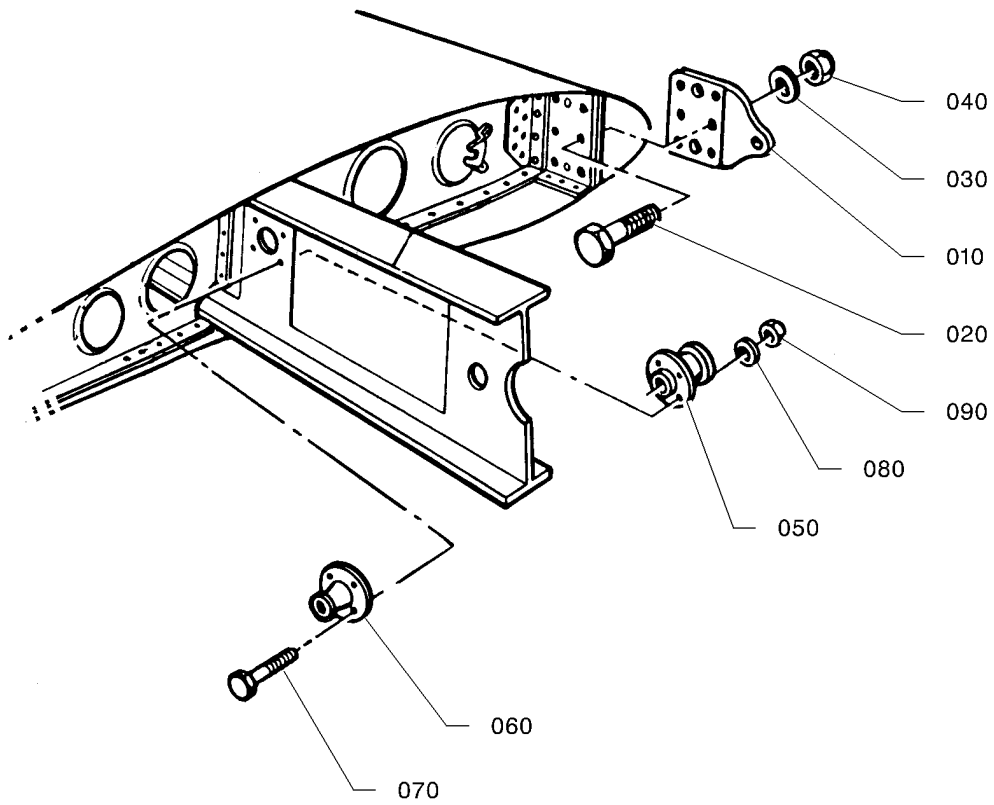
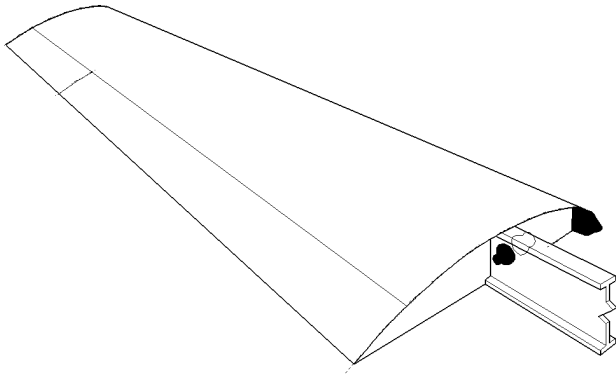
57-20-02

FIG. 4A

PAGE 1

NOV 30/18

FOR TRAILING ARM MLG



14572003AAABUZ4300

WING ATTACHMENT FITTINGS
FIGURE 1

57-20-03

FIG. 1

PAGE 0 R

NOV 30/18

FIG. ITEM	PART NUMBER	1234567 	NOMENCLATURE	EFFECT FROM TO	UNITS PER ASSY	OBS
1 - 1	TF57-20-03-01-001		WING ATTACHMENT FITTINGS		RF	
10	TB10 11022100		.FRONT ATTACHMENT FITTING ATTACHING PARTS		2	
20	5109337289		.BOLT VF7411		12	
30	5705015290		.WASHER VF0111 OPT TO NFL23118AD060L MADE BY VF0111 RPLD BY 5701039290		12	
- 30A	5701039290		.WASHER OPT TO 23111AD060L MADE BY VF0111		12	R
40	5401458300		.NUT OPT TO E25412B60QQVAL MADE BY VF0110		12	R
50	TB10 11021100		.FRONT SPACER S/N 1 - 1380 RPLD BY TB10 11021103		2	NP
- 50A	TB10 11021103		.FRONT SPACER RPLS TB10 11021100		2	
60	TB10 11021101		.REAR SPACER S/N 1 - 1380 RPLD BY TB10 11021104		2	NP
- 60A	TB10 11021104		.REAR SPACER RPLS TB10 11021101 ATTACHING PARTS		2	
70	5109337478		.BOLT		8	
80	5704019365		.WASHER OPT TO NFL23134AD080L MADE BY VF0111		8	
90	5402453376		.NUT * * *		8	

- ITEM NOT ILLUSTRATED

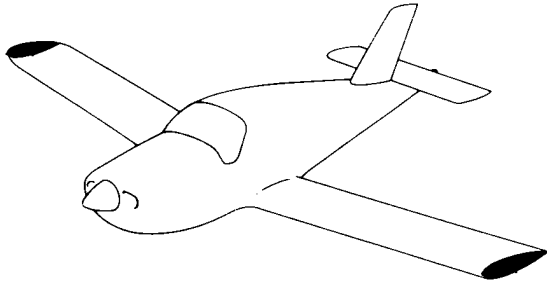
57-20-03

FIG. 1

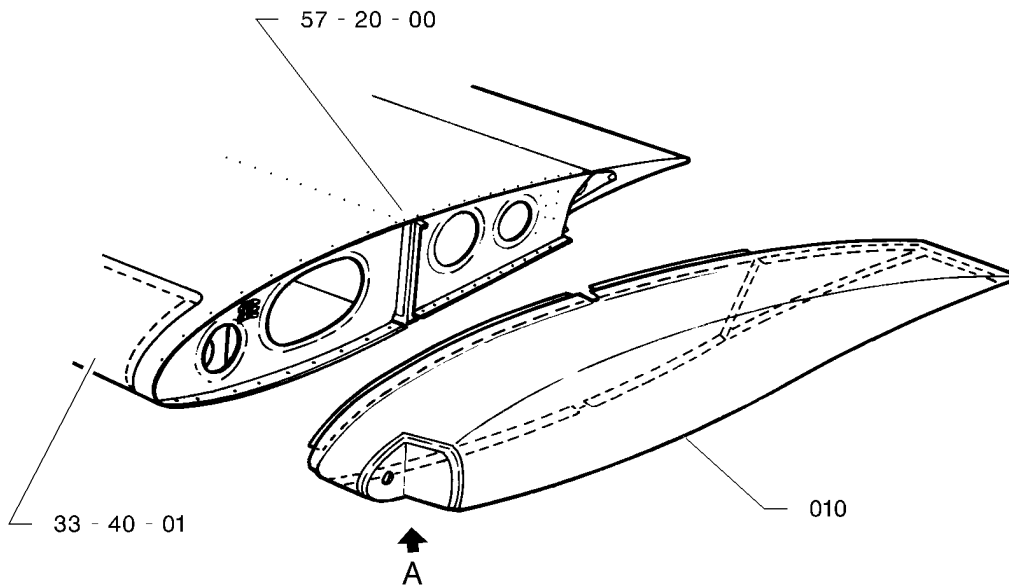
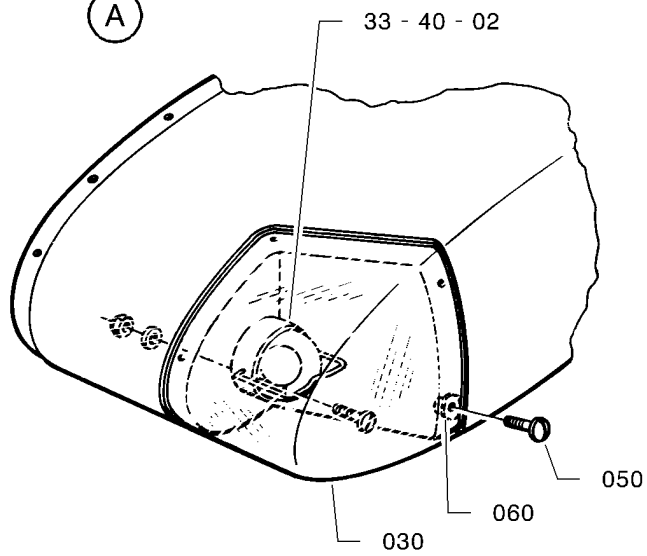
PAGE 1

NOV 30/18

S/N 1 - 9999



(A)



14573000AAACVZ4300

WING TIPS
FIGURE 1

57-30-00

FIG. 1
PAGE 0 R

NOV 30/18

FIG.ITEM	PART NUMBER	1234567 	NOMENCLATURE	EFFECT FROM TO	UNITS PER ASSY	OBS
1 - 1	TF57-30-00-01-001		WING TIPS		RF	
10	TB10 18004000		.L.H. WING TIP ASSY IMPAX 7000 AS SPARES OF A SQUARE SECTION TIP, ORDER L.H. AND R.H. PAGODA TIPS (KITS OPT10 909400 + OPT10 909500) : THE BLEND IS FORBIDDEN RPLD BY OPT10 909400		1	NP
- 20	TB10 18004001		.R.H. WING TIP ASSY IMPAX 7000 AS SPARES OF A SQUARE SECTION TIP, ORDER L.H. AND R.H. PAGODA TIPS (KITS OPT10 909400 + OPT10 909500) : THE BLEND IS FORBIDDEN RPLD BY OPT10 909500		1	NP
30	TB10 18004102		.L.H. LIGHT TRANSPARENT COVER		1	OR
- 40	TB10 18004103		.R.H. LIGHT TRANSPARENT COVER ATTACHING PARTS		1	OR
50	5169902078		.SCREW OPT TO E27128-40Q12CCU MADE BY VF0110		12	R
60	5385835514		.NUT * * *		12	R

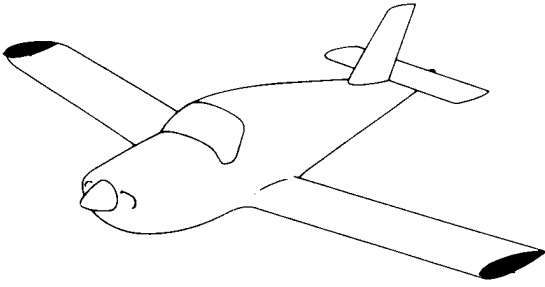
- ITEM NOT ILLUSTRATED

57-30-00

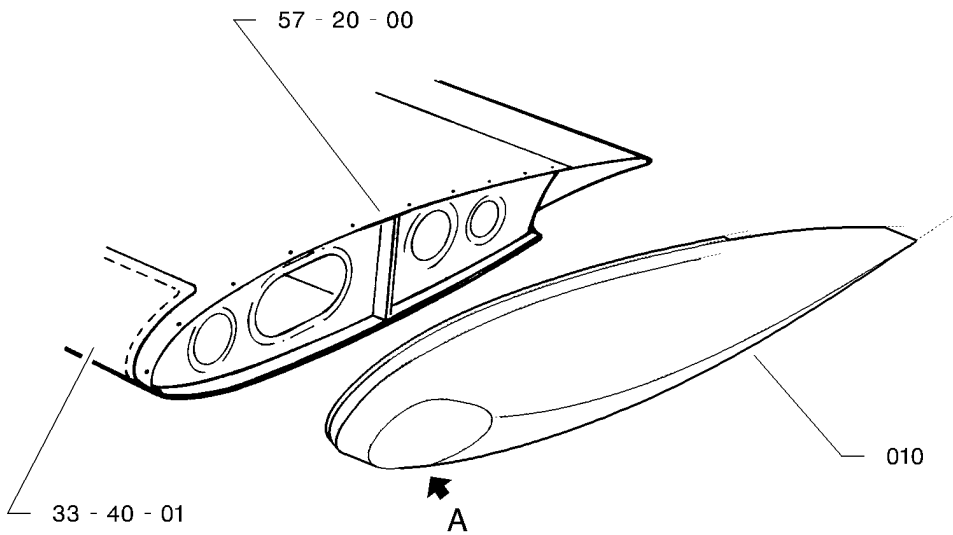
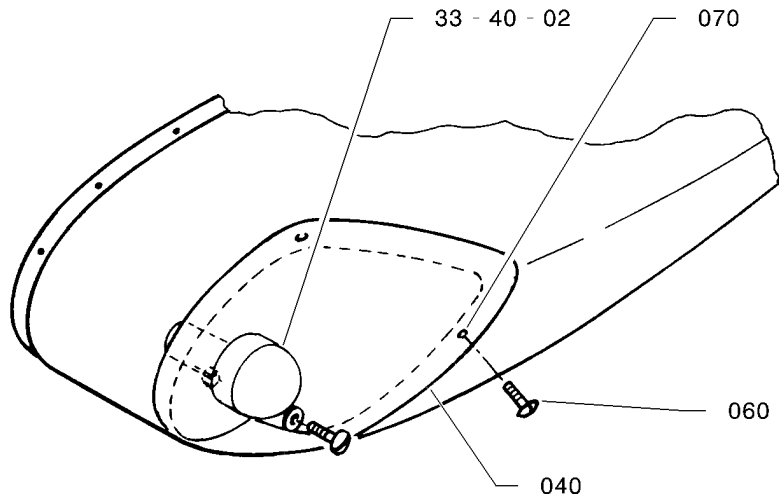
FIG. 1

PAGE 1

NOV 30/18



(A)



14573000AAA DVZ4300

WING TIPS
FIGURE 1A

57-30-00

FIG. 1A

PAGE 0 R

NOV 30/18

FIG.ITEM	PART NUMBER	1234567 	NOMENCLATURE	EFFECT FROM TO	UNITS PER ASSY	OBS
1A- 1	TF57-30-00-01A-001		WING TIPS		RF	
10	TB10 18001000		.L.H. WING TIP ASSY IMPAX 7000 RPLD BY OPT10 909000		1	NP
- 20	TB10 18001001		.R.H. WING TIP ASSY IMPAX 7000 RPLD BY OPT10 909100		1	NP
40	TB20 18001102		.L.H. LIGHT TRANSPARENT COVER		1	
- 50	TB20 18001103		.R.H. LIGHT TRANSPARENT COVER		1	
60	5169902078		ATTACHING PARTS .SCREW OPT TO E27128-40Q12CCU MADE BY VF0110 RPLD BY 5169911086		12	R
- 60A	5169911086		.SCREW RPLS 5169902078		12	
70	5385835514		.NUT * * *		12	R

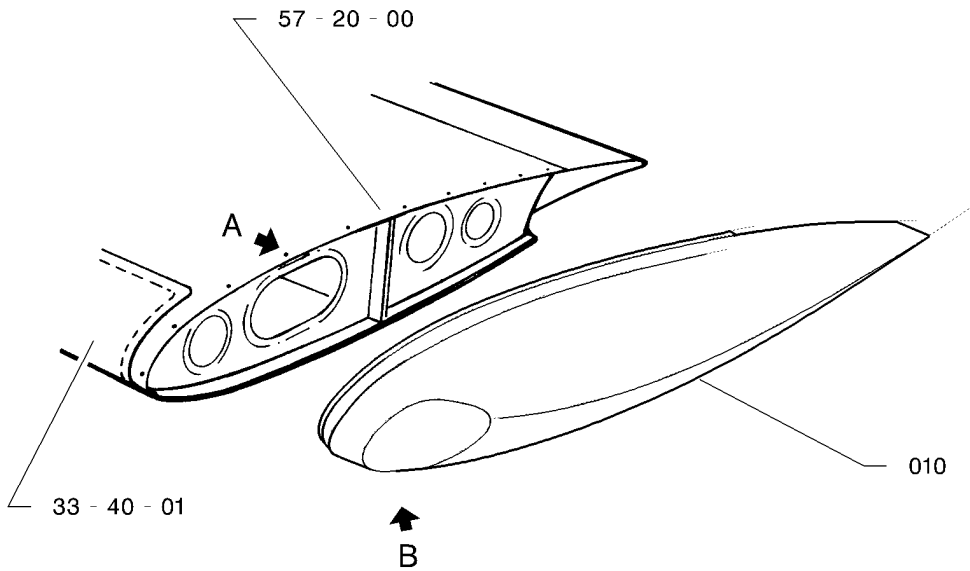
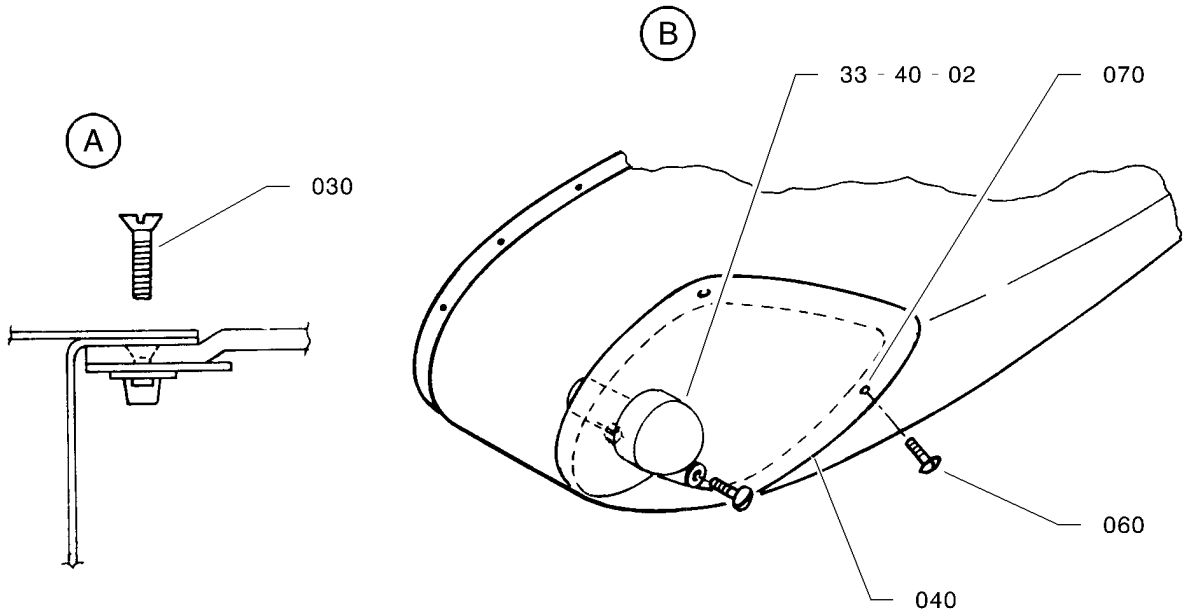
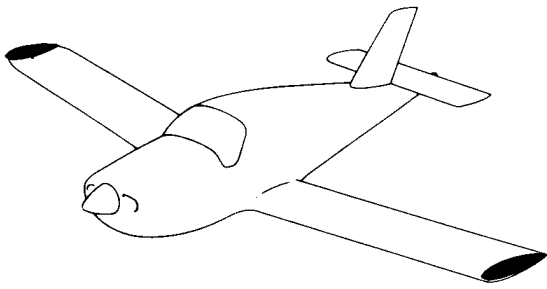
- ITEM NOT ILLUSTRATED

57-30-00

FIG. 1A

PAGE 1

NOV 30/18



14573000AAAEVZ4300

WING TIPS
FIGURE 1B

57-30-00

FIG. 1B

PAGE 0 R

NOV 30/18

FIG.ITEM	PART NUMBER	1234567 	NOMENCLATURE	EFFECT FROM TO	UNITS PER ASSY	OBS
1B- 1	TF57-30-00-01B-001		WING TIPS		RF	
10	TB20 18001002		.L.H. WING TIP ASSY S/N 426 - 545 IMPAX 7000		1	
- 10A	TB20 18001004		.L.H. WING TIP ASSY S/N 546 - 764, 766 - 822, 850 - 878, IMPAX 7000 SUPSD BY TB20 18001914		1	R
- 10B	TB20 18001914		.L.H. WING TIP ASSY SUPSDS TB20 18001004		1	OR R
- 20	TB20 18001003		.R.H. WING TIP ASSY S/N 426 - 545 IMPAX 7000		1	
- 20A	TB20 18001005		.R.H. WING TIP ASSY S/N 546 - 764, 766 - 822, 850 - 878, IMPAX 7000 SUPSD BY TB20 18001915		1	R
- 20B	TB20 18001915		.R.H. WING TIP ASSY SUPSDS TB20 18001005 ATTACHING PARTS		1	OR R
30	TB10 09094100		.SCREW * * *		42	
40	TB20 18001102		.L.H. LIGHT TRANSPARENT COVER		1	
- 50	TB20 18001103		.R.H. LIGHT TRANSPARENT COVER ATTACHING PARTS		1	
60	5169902078		.SCREW OPT TO E27128-40Q12CCU MADE BY VF0110 SUPSD BY 5169911086		12	R
- 60A	5169911086		.SCREW SUPSDS 5169902078		12	R
70	5385835514		.NUT * * *		12	R

- ITEM NOT ILLUSTRATED

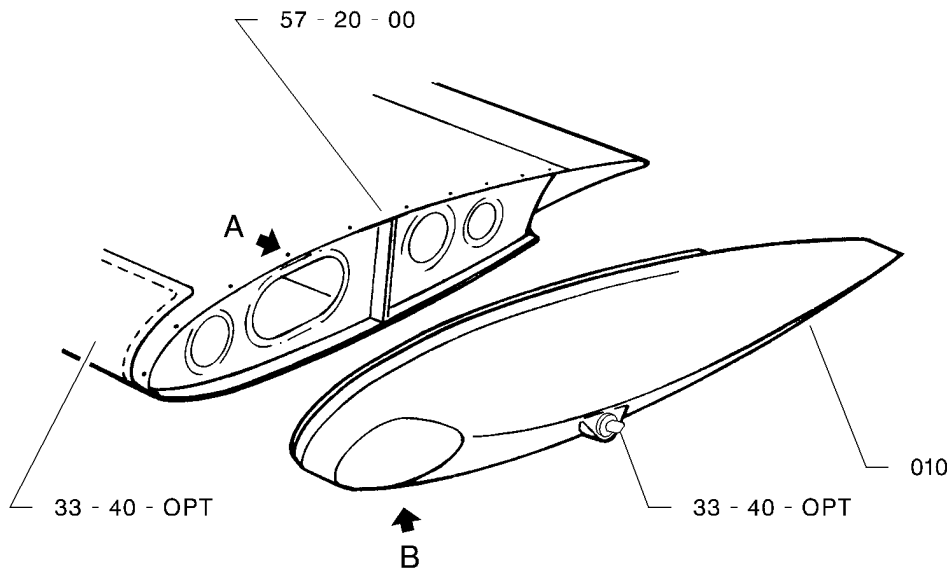
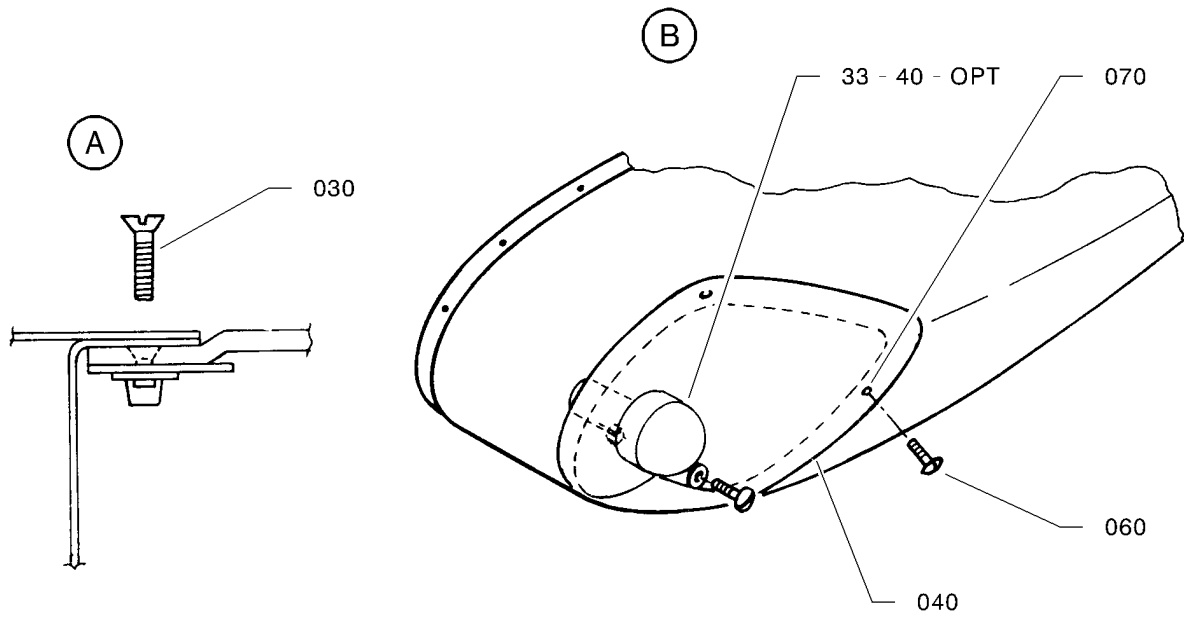
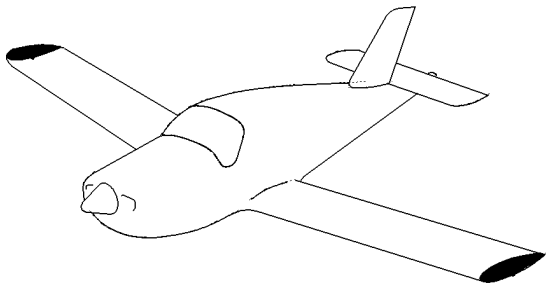
57-30-00

FIG. 1B

PAGE 1

NOV 30/18

S/N 426 - 764, 766 - 822, 850 - 878



14573000AAABYZ4400

WING TIPS
FIGURE 1C

57-30-00

FIG. 1C

PAGE 0 R

NOV 30/18

FIG. ITEM	PART NUMBER	1234567 	NOMENCLATURE	EFFECT FROM TO	UNITS PER ASSY	OBS
1C- 1	TF57-30-00-01C-001		WING TIPS		RF	
10	TB20 18001914		.L.H. WING TIP ASSY S/N 765, 879 - 887, 889 - 947, IMPAX 7000, WITH LABINAL NAVIGATION LIGHTS RPLD BY TB20 18001928		1	OR
- 10A	TB20 18001928		.L.H. WING TIP ASSY S/N 823 - 849, 888, 948 - 1551, IMPAX 7000, WITH LABINAL NAVIGATION LIGHTS RPLS TB20 18001914 RPLD BY TB20 18001930		1	NP
- 10B	TB20 18001930		.L.H. WING TIP ASSY ALLAX RPLS TB20 18001928		1	
- 10C	TB20 18001932		.L.H. WING TIP ASSY ALLAX, WITH WHELEN NAVIGATION LIGHTS RPLD BY TB20 1800101601		1	OR
- 10D	TB20 1800101601		.L.H. WING TIP ASSY RPLS TB20 18001932		1	
20	TB20 18001915		.R.H. WING TIP ASSY S/N 765, 879 - 887, 889 - 947, IMPAX 7000, WITH LABINAL NAVIGATION LIGHTS RPLD BY TB20 18001929		1	OR
- 20A	TB20 18001929		.R.H. WING TIP ASSY S/N 823 - 849, 888, 948 - 1551, IMPAX 7000, WITH LABINAL NAVIGATION LIGHTS RPLS TB20 18001915 RPLD BY TB20 18001931		1	NP
- 20B	TB20 18001931		.R.H. WING TIP ASSY ALLAX RPLS TB20 18001929		1	
- 20C	TB20 18001933		.R.H. WING TIP ASSY ALLAX, WITH WHELEN NAVIGATION LIGHTS RPLD BY TB20 1800101701		1	OR
- 20D	TB20 1800101701		.R.H. WING TIP ASSY RPLS TB20 18001933		1	
30	TB10 09094100		ATTACHING PARTS .SCREW * * *		42	
40	TB20 18001102		.L.H. LIGHT TRANSPARENT COVER		1	
- 50	TB20 18001103		.R.H. LIGHT TRANSPARENT COVER		1	

- ITEM NOT ILLUSTRATED

57-30-00

FIG. 1C

PAGE 1 R

NOV 30/18

FIG.ITEM	PART NUMBER	1234567 	NOMENCLATURE	EFFECT FROM TO	UNITS PER ASSY	OBS
1C			ATTACHING PARTS			
60	5169902078		.SCREW OPT TO E27128-40Q12CCU MADE BY VF0110 RPLD BY 5169911086		12	R
- 60A	5169911086		.SCREW RPLS 5169902078		12	
70	5385835514		.NUT * * *		12	R

- ITEM NOT ILLUSTRATED

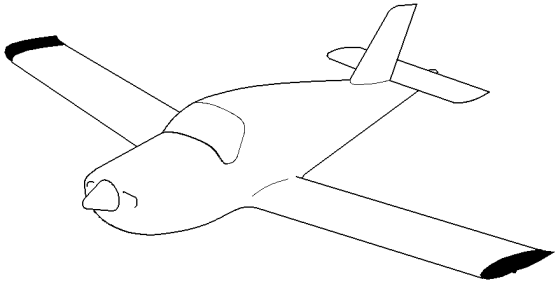
57-30-00

FIG. 1C

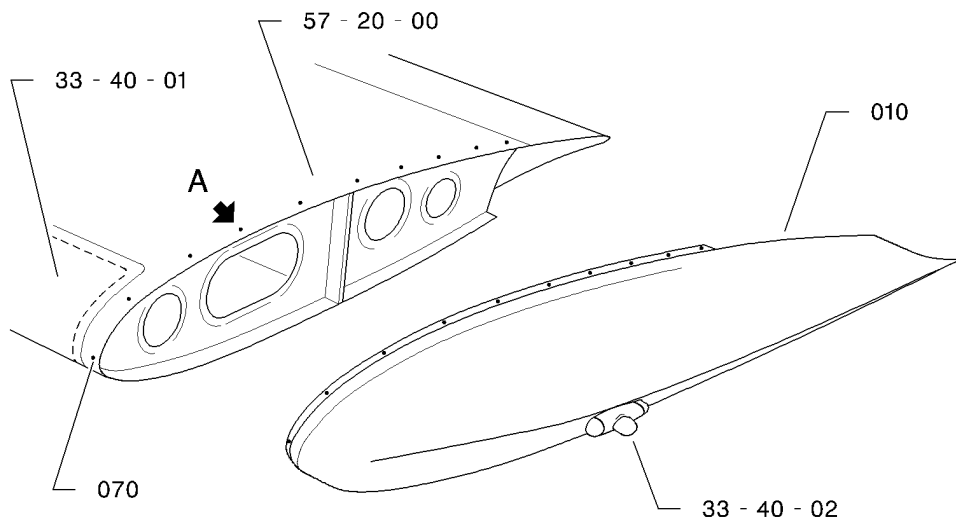
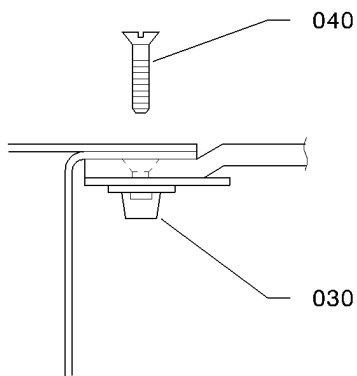
PAGE 2

NOV 30/18

PAGE INTENTIONALLY BLANK



(A)



14573000AAABYZI4301

WING TIPS
FIGURE 1D

57-30-00

FIG. 1D

PAGE 0 R

NOV 30/18

FIG. ITEM	PART NUMBER	NOMENCLATURE	EFFECT FROM TO	UNITS PER ASSY	OBS
		1234567 			
1D- 1	TB57-30-00-01D-001	WING TIPS		RF	
10	TB10 1802000000	.L.H. WING TIP ASSY VARIANT, PRE-MOD. 185 RPLD BY TB10 18023002D01		1	OR
- 10A	TB10 1802300000	.L.H. WING TIP ASSY VARIANT, PRE-MOD. 185 RPLD BY TB10 1802300051		1	OR
- 10B	TB10 18023002D01	.L.H. WING TIP ASSY POST-MOD. 185 RPLS TB10 1802000000		1	
- 10C	TB10 1802300051	.L.H. WING TIP ASSY RPLS TB10 1802300000		1	
- 20	TB10 1802000100	.R.H. WING TIP ASSY VARIANT, PRE-MOD. 185 RPLD BY TB10 18023003D01		1	OR
- 20A	TB10 1802300100	.R.H. WING TIP ASSY VARIANT, PRE-MOD. 185 RPLD BY TB10 1802300151		1	OR
- 20B	TB10 18023003D01	.R.H. WING TIP ASSY POST-MOD. 185 RPLS TB10 1802000100		1	
- 20C	TB10 1802300151	.R.H. WING TIP ASSY RPLS TB10 1802300100		1	
- 30	TB10 18020100	..L.H. WING TIP		1	
- 30A	TB10 18023002	..L.H. WING TIP POST-MOD. 185		1	
- 40	TB10 18020101	..R.H. WING TIP		1	
- 40A	TB10 18023003	..R.H. WING TIP POST-MOD. 185 ATTACHING PARTS		1	
50	TB10 09094100	..SCREW		21	
60	5425218040	..ANCHOR NUT, TWO LUG, VF0224 FLOATING OPT TO 4SF5009M MADE BY VF0224 * * *		17	
70	5455465040	.ANCHOR NUT POST-MOD. 185		2	
80	5435218040	.ANCHOR NUT, ONE LUG, FLOATING POST-MOD. 185		2	

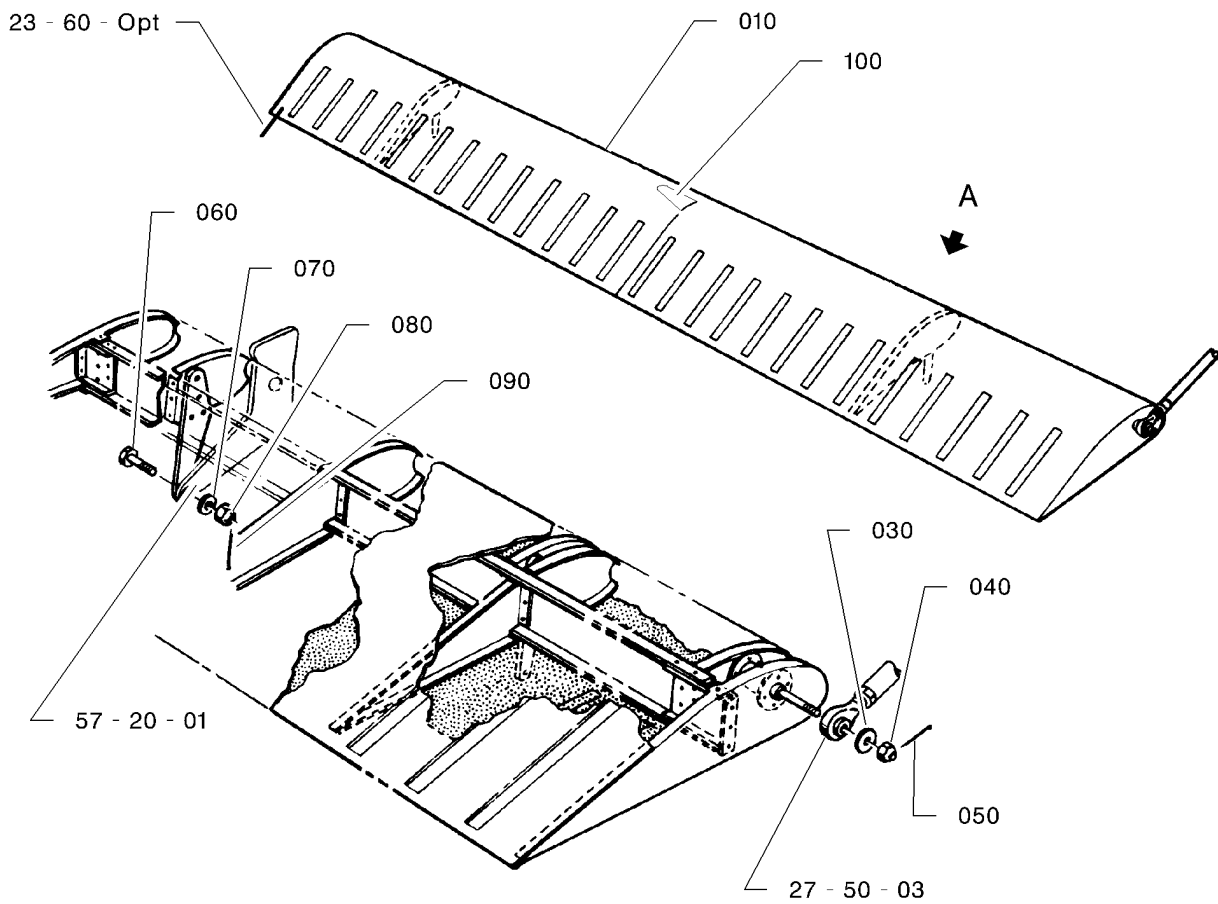
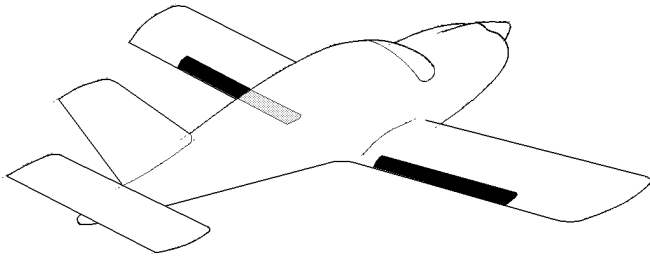
- ITEM NOT ILLUSTRATED

57-30-00

FIG. 1D

PAGE 1 R

NOV 30/18



14575000AAAAAYZ4301

WING FLAP - STRUCTURE
FIGURE 1

57-50-00

FIG. 1
PAGE 0 R
NOV 30/18

FIG.ITEM	PART NUMBER	1234567 	NOMENCLATURE	EFFECT FROM TO	UNITS PER ASSY	OBS
1 - 1	TB57-50-00-01-001		WING FLAP - STRUCTURE		RF	
10	TB10 16001000		.L.H. WING FLAP ASSY		1	
- 20	TB10 16001001		.R.H. WING FLAP ASSY		1	
			ATTACHING PARTS			
30	5706039345		.WASHER OPT TO NFL23116AD070L MADE BY VF0111		1	
40	5374336300		.NUT OPT TO NFL22451BC060L MADE BY VF0111		1	R
50	5783009078		.COTTER PIN OPT TO 23310AA015015L MADE BY VF0111		1	R
60	5109336478		.BOLT		2	
70	5706039365		.WASHER VF0111 OPT TO NFL23116AD080L MADE BY VF0111		2	
80	5376336376		.NUT OPT TO 22453BC080L MADE BY VF0111		2	R
90	5783009164		.COTTER PIN VF0111 OPT TO NFL23310AA020025L MADE BY VF0111		2	
100	TB10 16001119		.FRICTION PLATE S/N 1 - 748, ORDER KIT OPT10 910000 * * *		1	

- ITEM NOT ILLUSTRATED

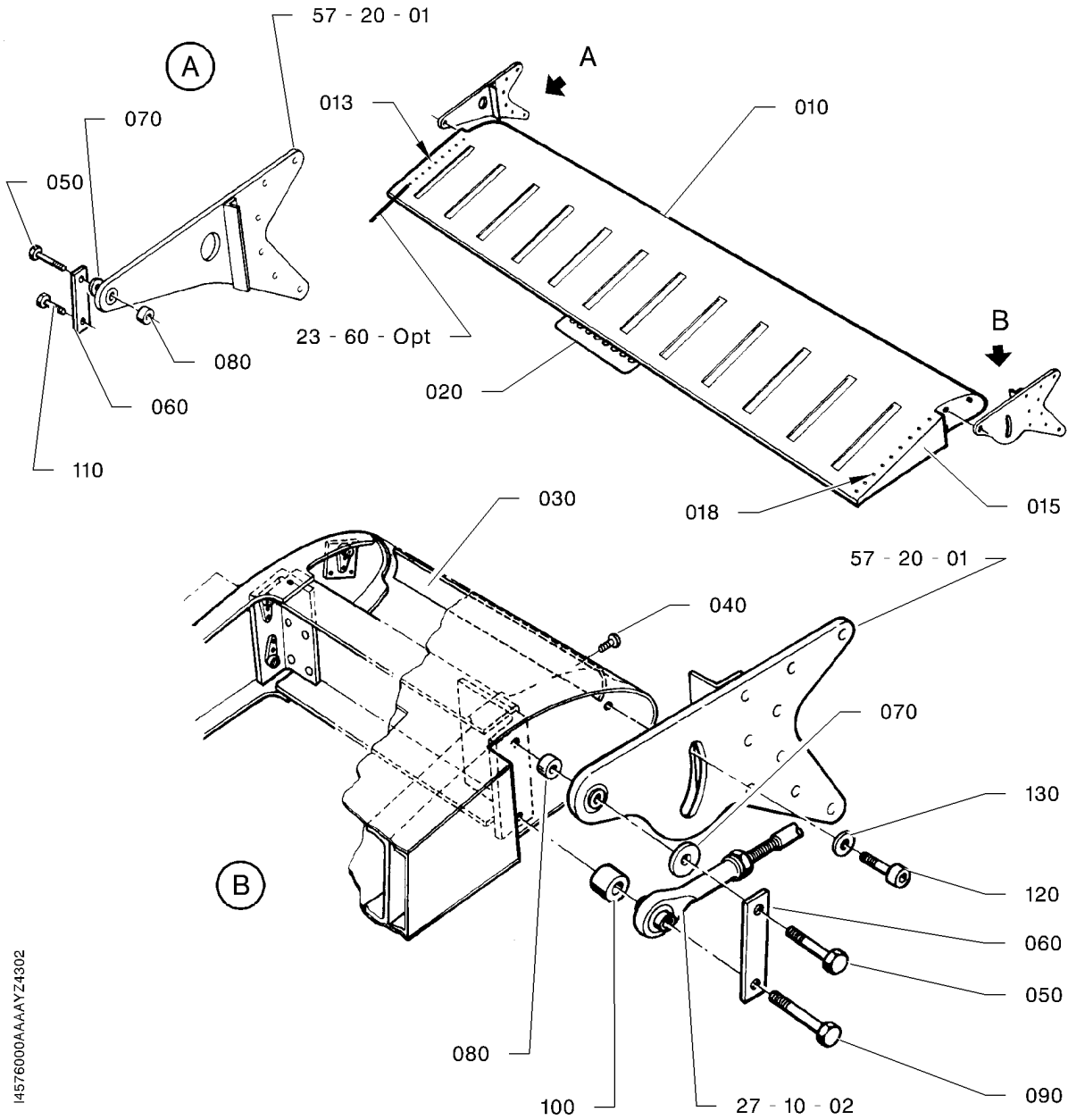
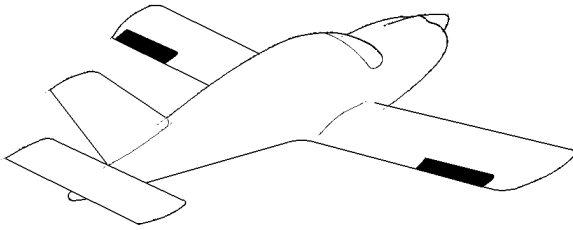
57-50-00

FIG. 1

PAGE 1

NOV 30/18

S/N 1 - 9999



14576000AAAAAYZ4302

AILERONS
FIGURE 1

57-60-00

FIG. 1

PAGE 0 R

NOV 30/18

FIG.ITEM	PART NUMBER	1234567 	NOMENCLATURE	EFFECT FROM TO	UNITS PER ASSY	OBS
1 - 1	TF57-60-00-01-001		AILERONS		RF	
10	TB10 15001000		.AILERON ASSY S/N 1 - 38 RPLD BY TB10 15001001		2	OR
- 10A	TB10 15001001		.AILERON ASSY S/N 1 - 707 RPLS TB10 15001000 RPLD BY TB10 15001004		2	OR
- 10B	TB10 15001004		.AILERON ASSY RPLS TB10 15001001		2	
13	TB10 15001113		..L.H. BLANKING RIB		1	
15	TB10 15001114		..R.H. BLANKING RIB		1	
18	5536342402		..RIVET OPT TO NSA5420-42 MADE BY VF3341		AR	
20	TB10 15010100		..TRIM EDGE		1	
30	TB10 15001112		..BALANCE WEIGHT S/N 1 - 38 RPLD BY OPT10 912400		1	NP
- 30A	TB10 15001135		..BALANCE WEIGHT S/N 39 - 398 RPLD BY OPT10 912400		1	NP
- 30B	TB10 15001136		..BALANCE WEIGHT S/N 399 - 707 RPLD BY OPT10 912400		1	NP
- 30C	TB10 15001138		..BALANCE WEIGHT S/N 708 - 9999 AND POST-KIT OPT10 912400 ATTACHING PARTS		1	
40	5169911168		..SCREW		6	
50	5101229320		..BOLT		2	
60	TB10 15000116		..BRAKE PLATE		2	
70	5701039290		..WASHER OPT TO 23111AD060L MADE BY VF0111		2	R
80	TB10 09001131		..SPACER		2	
90	TB10 09083106		..BOLT		1	
100	TB10 09001100		..SPACER		1	
110	5101229298		..BOLT		1	R
120	5117937291		..SCREW		1	
130	5706039290		..WASHER OPT TO 23116AD060L MADE BY VF0111 * * *		1	R

- ITEM NOT ILLUSTRATED

57-60-00

FIG. 1

PAGE 1

NOV 30/18

S/N 1 - 9999

PAGE INTENTIONALLY BLANK