

07

LIFTING AND SHORING

CHAPTER 07
LIFTING AND SHORING
LIST OF EFFECTIVE PAGES

CH-SECT				CH-SECT			
	UNIT-FIG	PAGE	DATE		UNIT-FIG	PAGE	DATE
LEP		1 *	NOV 30/18				
LEP		2 *	NOV 30/18				
TOC		1 *	NOV 30/18				
07-10-00	1	0 *	NOV 30/18				
07-10-00	1	1 *	NOV 30/18				
07-10-00	1	2 *	NOV 30/18				

* THE ASTERISK INDICATES PAGES CHANGED, ADDED OR DELETED

07 - LIST OF EFFECTIVE PAGES

PAGE INTENTIONALLY BLANK

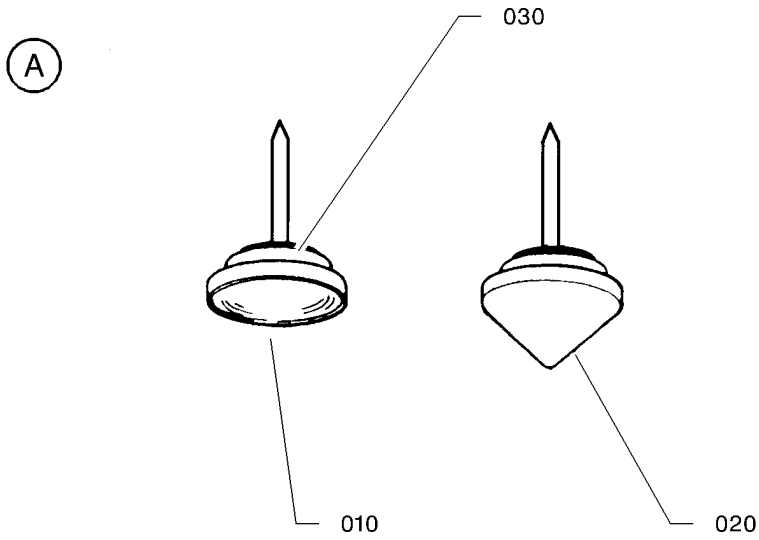
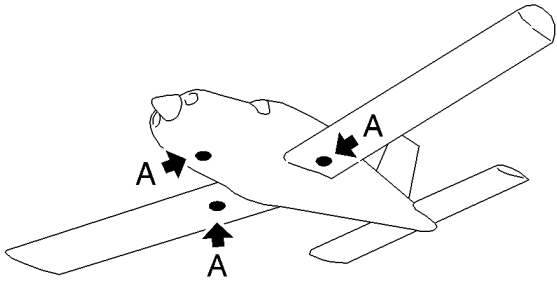
07 - LIST OF EFFECTIVE PAGES

PAGE 2

NOV 30/18

CHAPTER 07
LIFTING AND SHORING
TABLE OF CONTENTS

SUBJECT	CHAPTER SECTION FIG. SUBJECT	VALIDITY
JACKING	07-10	
JACKING	07-10-00 1	S/N 1 - 9999



14071000AAAAYZ4300

JACKING
FIGURE 1

07-10-00

FIG. 1
PAGE 0 R

NOV 30/18

FIG.ITEM	PART NUMBER	NOMENCLATURE		EFFECT FROM TO	UNITS PER ASSY	OBS
		1234567 				
1 - 1	TF07-10-00-01-001		JACKING		RF	
10	TB10 94000100		.JACK-POINT FITTING CONCAVE		3	
20	TB10 94901100		.JACK-POINT FITTING CONVEX		3	
30	TB10 94000103		.MAGNET		3	

- ITEM NOT ILLUSTRATED

07-10-00

FIG. 1

PAGE 1 R

NOV 30/18

S/N 1 - 9999

PAGE INTENTIONALLY BLANK