

74

IGNITION

CHAPTER 74
IGNITION
LIST OF EFFECTIVE PAGES

CH-SECT				CH-SECT			
	UNIT-FIG	PAGE	DATE		UNIT-FIG	PAGE	DATE
LEP		1 *	NOV 30/18				
LEP		2 *	NOV 30/18				
TOC		1 *	NOV 30/18				
TOC		2 *	NOV 30/18				
TOC		3 *	NOV 30/18				
74-00-00	1	0 *	NOV 30/18				
74-00-00	1	1 *	NOV 30/18				
74-10-00	1	0 *	NOV 30/18				
74-10-00	1	1 *	NOV 30/18				
74-20-00	1	0 *	NOV 30/18				
74-20-00	1	1 *	NOV 30/18				
74-20-00	1	2 *	NOV 30/18				

* THE ASTERISK INDICATES PAGES CHANGED, ADDED OR DELETED

74 - LIST OF EFFECTIVE PAGES

PAGE INTENTIONALLY BLANK

74 - LIST OF EFFECTIVE PAGES

PAGE 2

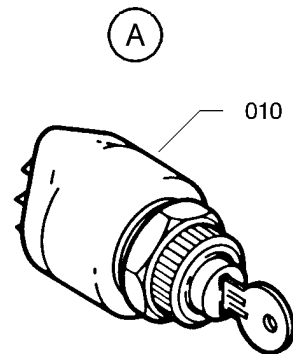
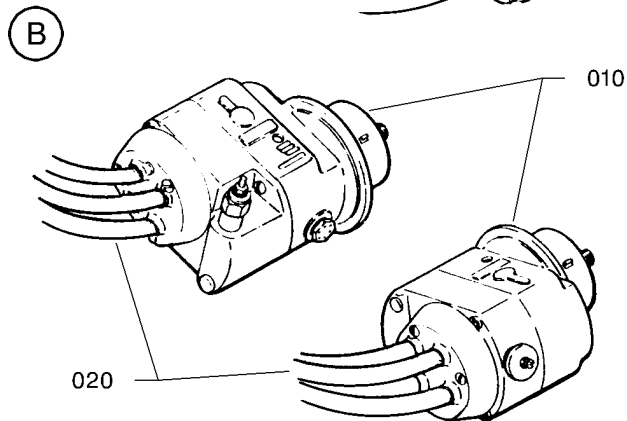
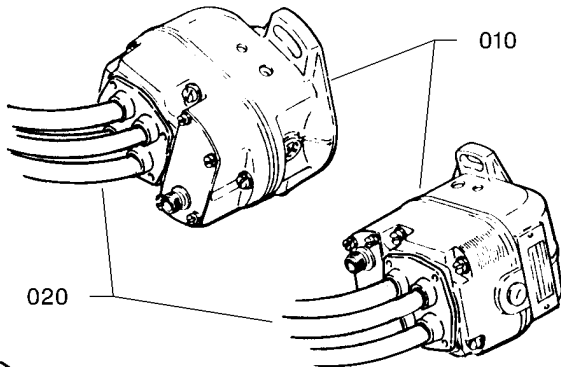
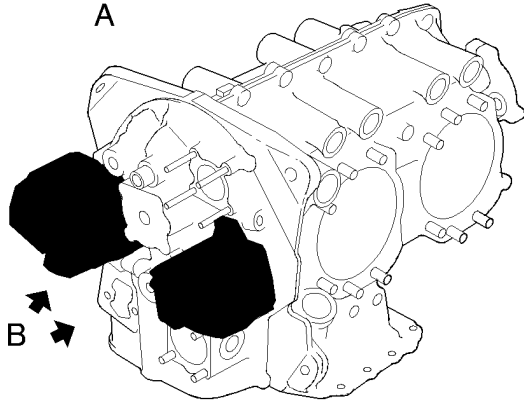
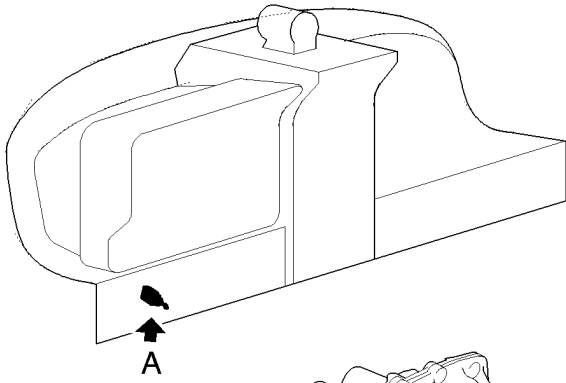
NOV 30/18

CHAPTER 74
IGNITION
TABLE OF CONTENTS

SUBJECT	CHAPTER SECTION FIG. SUBJECT	VALIDITY
IGNITION	74-00	
IGNITION	74-00-00 1	S/N 1 - 9999

SUBJECT	CHAPTER SECTION FIG. SUBJECT	VALIDITY
ELECTRIC GENERATION SYSTEM	74-10	
ELECTRIC GENERATION SYSTEM	74-10-00 1	S/N 1 - 9999

SUBJECT	CHAPTER SECTION FIG. SUBJECT	VALIDITY
DISTRIBUTION	74-20	
DISTRIBUTION	74-20-00 1	S/N 1 - 9999



14740000AABUZ4300

IGNITION
FIGURE 1

74-00-00

FIG. 1
PAGE 0 R

NOV 30/18

FIG.ITEM	PART NUMBER	NOMENCLATURE	EFFECT FROM TO	UNITS PER ASSY	OBS
1 - 1 10 20	TF74-00-00-01-001 TB74-10-00-01 TB74-20-00-01	1234567 IGNITION .ELECTRIC GENERATION SYSTEM .DISTRIBUTION		RF 1 1	

- ITEM NOT ILLUSTRATED

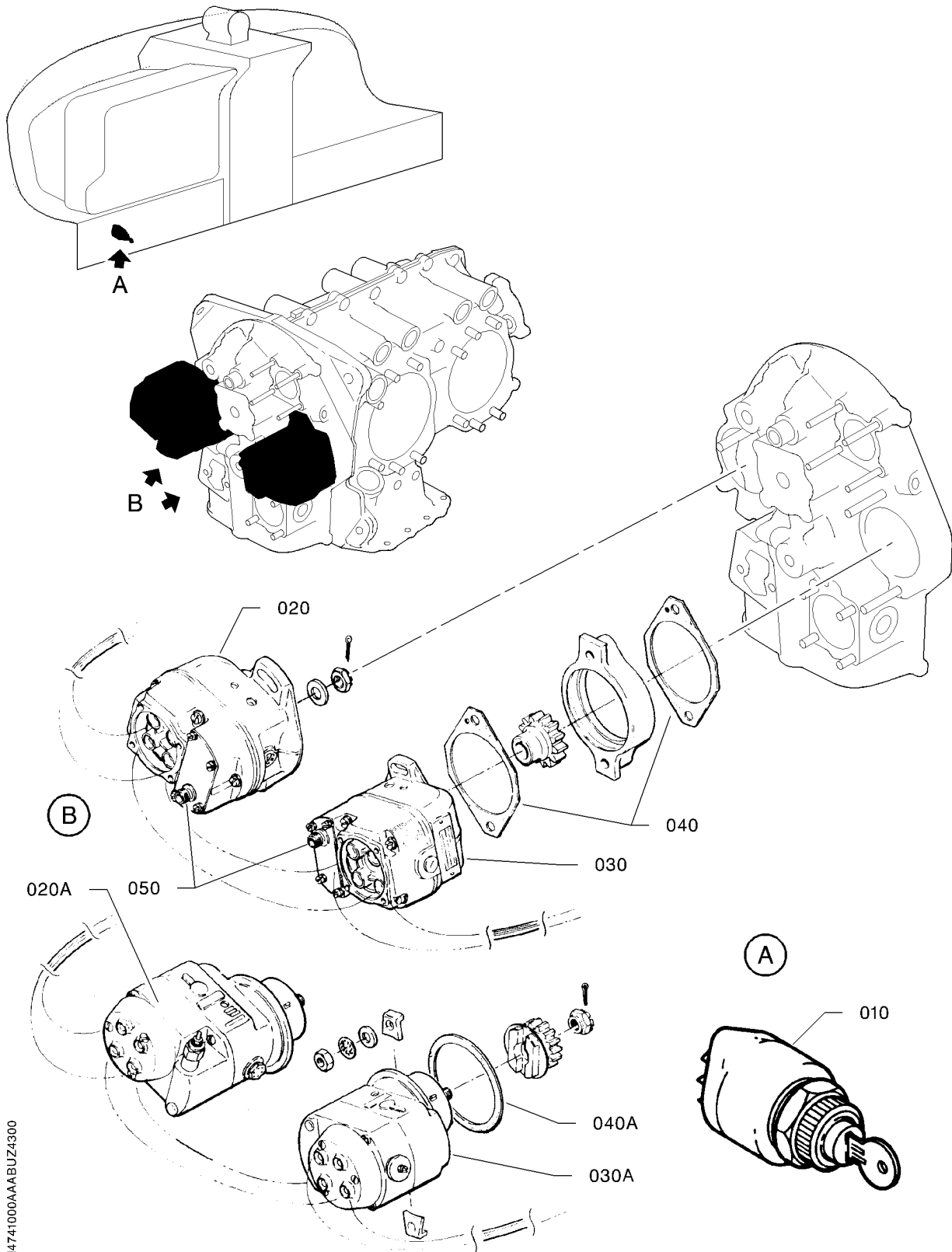
74-00-00

FIG. 1

PAGE 1 R

NOV 30/18

S/N 1 - 9999



14741000AAABUZ4300

ELECTRIC GENERATION SYSTEM
FIGURE 1

74-10-00

FIG. 1
PAGE 0 R
NOV 30/18

FIG.ITEM	PART NUMBER	NOMENCLATURE		EFFECT FROM TO	UNITS PER ASSY	OBS
		1234567 				
1 - 1	TF74-10-00-01-001		ELECTRIC GENERATION SYSTEM		RF	R
10	TB10 61018000		.MAGNETO SELECTOR		1	
20	6007107223		.L.H. MAGNETO BENDIX CAUTION : DO NOT INSTALL MAGNETOS OF DIFFERENT TYPES		1	
20A	6092557291		.L.H. MAGNETO OPT TO 66HC25SFNNK MADE BY V80254 LYCOMING CAUTION : DO NOT INSTALL MAGNETOS OF DIFFERENT TYPES		1	R
- 20B	6080257221		.L.H. MAGNETO SLICK		1	
30	6007107224		.R.H. MAGNETO BENDIX VARIANT CAUTION : DO NOT INSTALL MAGNETOS OF DIFFERENT TYPES		1	R
30A	6092557290		.R.H. MAGNETO OPT TO 66PHOSANN5 MADE BY V80254 LYCOMING VARIANT CAUTION : DO NOT INSTALL MAGNETOS OF DIFFERENT TYPES		1	R
- 30B	6092567224		.R.H. MAGNETO OPT TO 4370 MADE BY V80254 SLICK		1	R
40	7423254019		.SEAL OPT TO 62224 MADE BY V80254 LYCOMING		3	R
40A	7423254017		.SEAL OPT TO LW12681 MADE BY V80254 LYCOMING		2	R
50	7514081601		.CAPACITOR BENDIX		2	
- 50A			.CAPACITOR		2	R

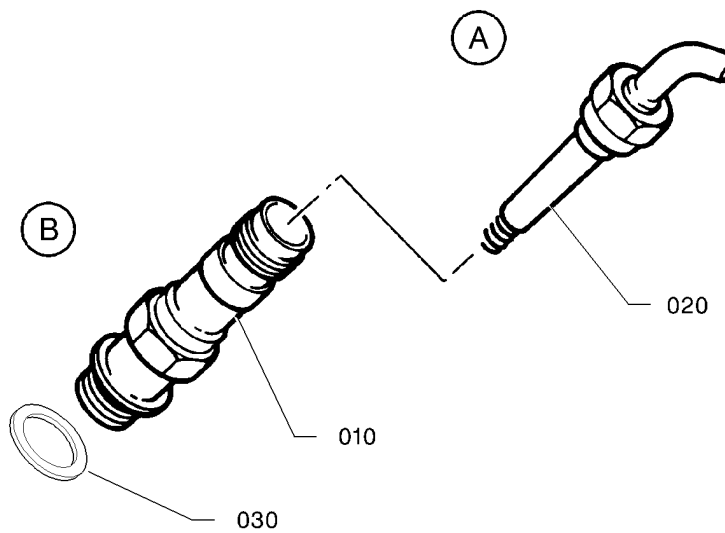
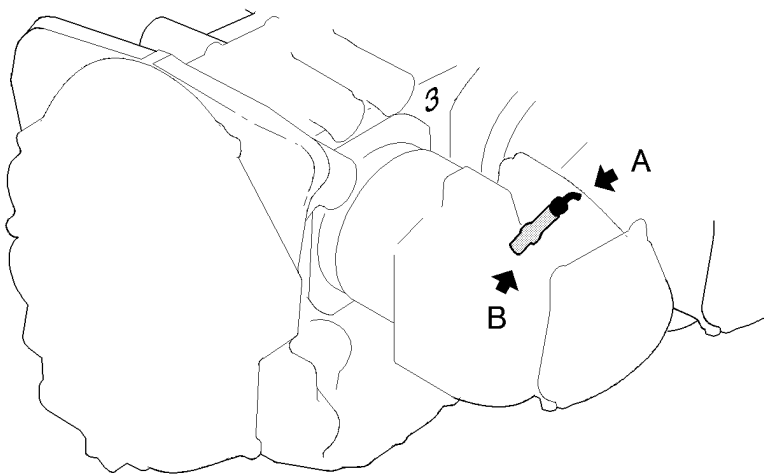
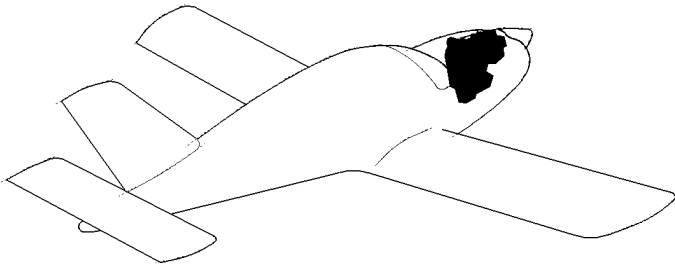
- ITEM NOT ILLUSTRATED

74-10-00

FIG. 1

PAGE 1

NOV 30/18



I4742000AAAAYZ4302

DISTRIBUTION
FIGURE 1

74-20-00

FIG. 1
PAGE 0 R

NOV 30/18

FIG. ITEM	PART NUMBER	1234567 	NOMENCLATURE	EFFECT FROM TO	UNITS PER ASSY	OBS
1 - 1	TF74-20-00-01-001		DISTRIBUTION		RF	
10	7092140140		.SPARK PLUG VOAFL4 OPT TO REM40E MADE BY VOAFL4 CHAMPION FOR FURTHER INFORMATION, REFER TO LYCOMING SERVICE INSTRUCTION NO. SI 1042 AT THE LATEST REVISION		8	
20	6007107229		.L.H. IGNITION SYSTEM BENDIX		1	
- 20A	6080257222		.L.H. IGNITION SYSTEM SLICK		1	
30	6092557222		.SEAL V80254 OPT TO 295 MADE BY V80254		8	
- 30A	7423161901		.SEAL CHAMPION		8	
- 40	6007107230		.R.H. IGNITION SYSTEM BENDIX		1	
- 40A	6080257223		.R.H. IGNITION SYSTEM SLICK		1	

- ITEM NOT ILLUSTRATED

74-20-00

FIG. 1

PAGE 1 R

NOV 30/18

S/N 1 - 9999

PAGE INTENTIONALLY BLANK