

77

**ENGINE
INDICATING**

CHAPTER 77
ENGINE INDICATING
LIST OF EFFECTIVE PAGES

CH-SECT	UNIT-FIG	PAGE	DATE	CH-SECT	UNIT-FIG	PAGE	DATE
LEP		1 *	NOV 30/18				
LEP		2 *	NOV 30/18				
TOC		1 *	NOV 30/18				
TOC		2 *	NOV 30/18				
TOC		3 *	NOV 30/18				
77-10-00	1	0 *	NOV 30/18				
77-10-00	1	1 *	NOV 30/18				
77-10-01	1	0 *	NOV 30/18				
77-10-01	1	1 *	NOV 30/18				
77-10-01	1	2 *	NOV 30/18				
77-10-01	1	3 *	NOV 30/18				
77-10-01	1A	0 *	NOV 30/18				
77-10-01	1A	1 *	NOV 30/18				
77-10-01	1A	2 *	NOV 30/18				
77-10-01	1A	3 *	NOV 30/18				
77-10-01	1B	0 *	NOV 30/18				
77-10-01	1B	1 *	NOV 30/18				
77-10-01	1B	2 *	NOV 30/18				
77-10-01	1B	3 *	NOV 30/18				
77-10-01	1C	0 *	NOV 30/18				
77-10-01	1C	1 *	NOV 30/18				
77-10-01	1C	2 *	NOV 30/18				
77-10-01	1C	3 *	NOV 30/18				
77-10-02	1	0 *	NOV 30/18				
77-10-02	1	1 *	NOV 30/18				
77-10-02	1A	0 *	NOV 30/18				
77-10-02	1A	1 *	NOV 30/18				
77-20-00	2	0 *	NOV 30/18				
77-20-00	2	1 *	NOV 30/18				
77-20-00	2	2 *	NOV 30/18				

* THE ASTERISK INDICATES PAGES CHANGED, ADDED OR DELETED

77 - LIST OF EFFECTIVE PAGES

PAGE INTENTIONALLY BLANK

77 - LIST OF EFFECTIVE PAGES

PAGE 2

NOV 30/18

CHAPTER 77
ENGINE INDICATING
TABLE OF CONTENTS

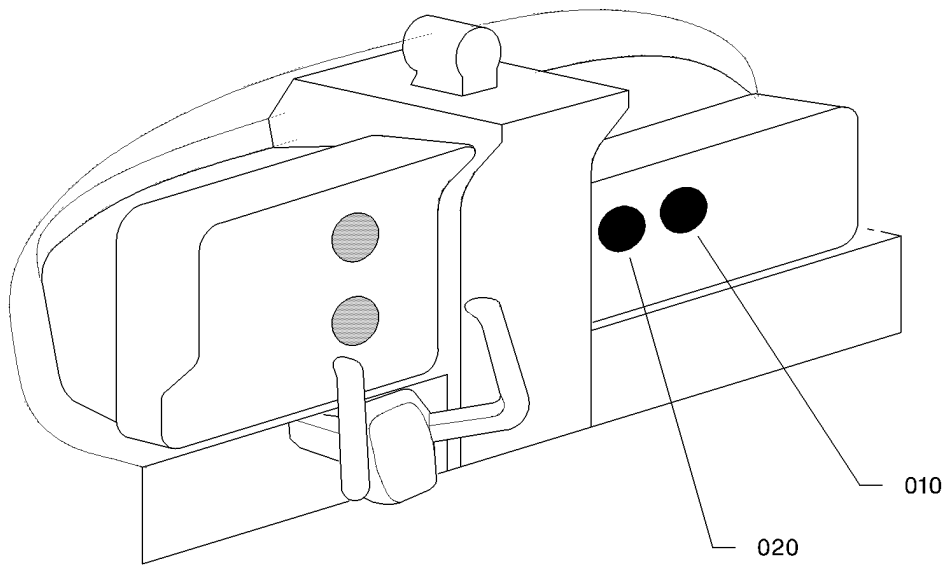
SUBJECT	CHAPTER SECTION FIG. SUBJECT	VALIDITY
POWER	77-10	
POWER	77-10-00 1	S/N 1 - 9999
TACHOMETER	77-10-01 1	S/N 1 - 822, 850 - 887, 889 - 947
TACHOMETER	77-10-01 1A	S/N 823 - 849, 888, 948 - 1809
TACHOMETER	77-10-01 1B	S/N 1810 - 1900
TACHOMETER	77-10-01 1C	S/N 1901 - 9999
MANIFOLD PRESSURE	77-10-02 1	S/N 1 - 730 WITH CONSTANT SPEED PROPELLER
MANIFOLD PRESSURE	77-10-02 1A	S/N 731 - 764, 766 - 878, WITH CONSTANT SPEED PROPELLER


77 - TABLE OF CONTENTS

PAGE 1

SUBJECT	CHAPTER SECTION FIG. SUBJECT	VALIDITY
ENGINE INDICATING	77-20	
EGT/CHT TEMPERATURE INDICATING	77-20-00 2	S/N 1 - 9999 POST-MOD. 151

PAGE INTENTIONALLY BLANK



 Variante de localisation
Alternate location

14310000AAAAYZ14302

POWER
FIGURE 1

77-10-00

FIG. 1
PAGE 0 R

NOV 30/18

S/N 1 - 9999

FIG.ITEM	PART NUMBER	NOMENCLATURE	EFFECT FROM TO	UNITS PER ASSY	OBS
1 - 1 10 20	TF77-10-00-01-001 TB77-10-01-01 TB77-10-02-01	1234567 POWER .TACHOMETER .MANIFOLD PRESSURE S/N 1 - 764, 766 - 878, WITH CONSTANT SPEED PROPELLER		RF 1 1	

- ITEM NOT ILLUSTRATED

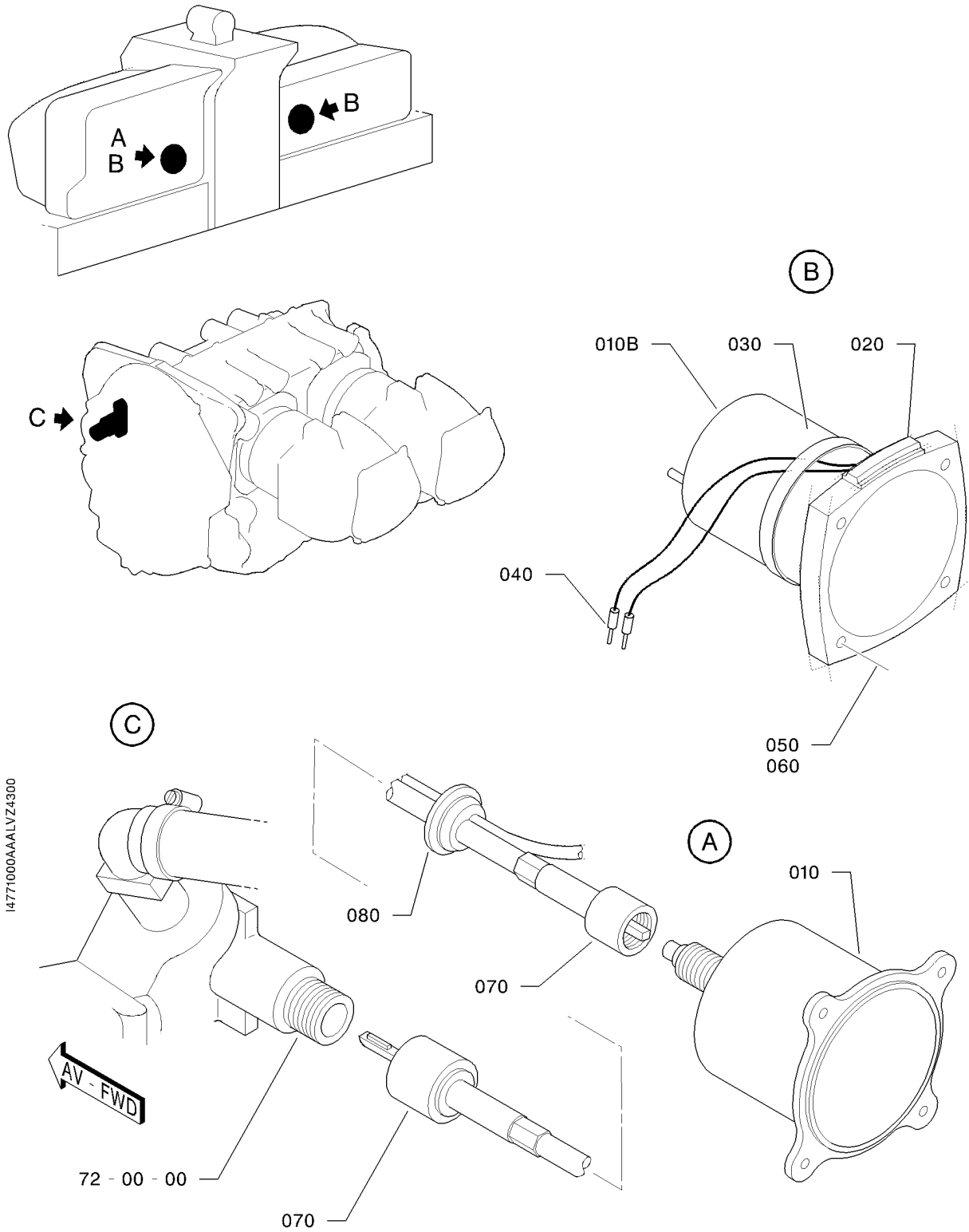
77-10-00

FIG. 1

PAGE 1 R

NOV 30/18

S/N 1 - 9999



TACHOMETER
FIGURE 1

77-10-01

FIG. 1
PAGE 0 R

NOV 30/18

FIG. ITEM	PART NUMBER	1234567 	NOMENCLATURE	EFFECT FROM TO	UNITS PER ASSY	OBS
1 - 1	TF77-10-01-01-001		TACHOMETER		RF	
10	TB09 72015001		.TACHOMETER S/N 1 - 632 FOR MOD. 179 APPLICATION, ORDER 1 KIT OPT10 927500 RPLD BY TB09 72015000		1	OR
- 10A	TB09 72015000		.TACHOMETER S/N 1 - 730 FOR MOD. 179 APPLICATION, ORDER 1 KIT OPT10 927500 RPLS TB09 72015001 RPLD BY 6006557223		1	OR
10B	6006557223		.TACHOMETER S/N 731 - 822, 850 - 887, 889 - 947 FOR MOD. 179 APPLICATION, ORDER 1 KIT OPT10 927500 AND 1 POST LIGHT TB10 7607100200 RPLS TB09 72015000		1	
20	7790010007		.LAMP TRAY V02939 OPT TO 7159016-07 MADE BY V02939 S/N 731 - 764, 766 - 822, 850 - 878 ; S/N 765, 823 - 849, 879 - 9999 : SEE OPTION		1	
30	7141940034		.TIE-WRAP VF6728 OPT TO TY244 MADE BY VF6728 S/N 731 - 764, 766 - 822, 850 - 878 ; S/N 765, 823 - 849, 879 - 9999 : SEE OPTION		1	
40	7275940000		.MALE CONNECTOR V59730 OPT TO RZBM-N MADE BY V59730 S/N 731 - 764, 766 - 822, 850 - 878 ; S/N 765, 823 - 849, 879 - 9999 : SEE OPTION		2	
50	5111929055		ATTACHING PARTS .SCREW VARIANT		4	NP
- 50A	5165691139		.SCREW V88044 OPT TO AN515C6-20 MADE BY V88044 VARIANT		4	
60	5385833099		.NUT VF0580 OPT TO A8943-350 MADE BY VF0580 WITH 5111929055		4	NP

- ITEM NOT ILLUSTRATED

77-10-01

FIG. 1

PAGE 1 R

NOV 30/18

S/N 1 - 822, 850 - 887, 889 - 947

FIG.ITEM	PART NUMBER	1234567 	NOMENCLATURE	EFFECT FROM TO	UNITS PER ASSY	OBS
1 - 60A	5385832137		.NUT V80205 OPT TO NAS487.20 MADE BY V80205 WITH 5165691139 * * *		4	NP
70	TB10 57017100		.TACHOMETER CONTROL		1	
80	7681800602		.GROMMET		1	

- ITEM NOT ILLUSTRATED

77-10-01

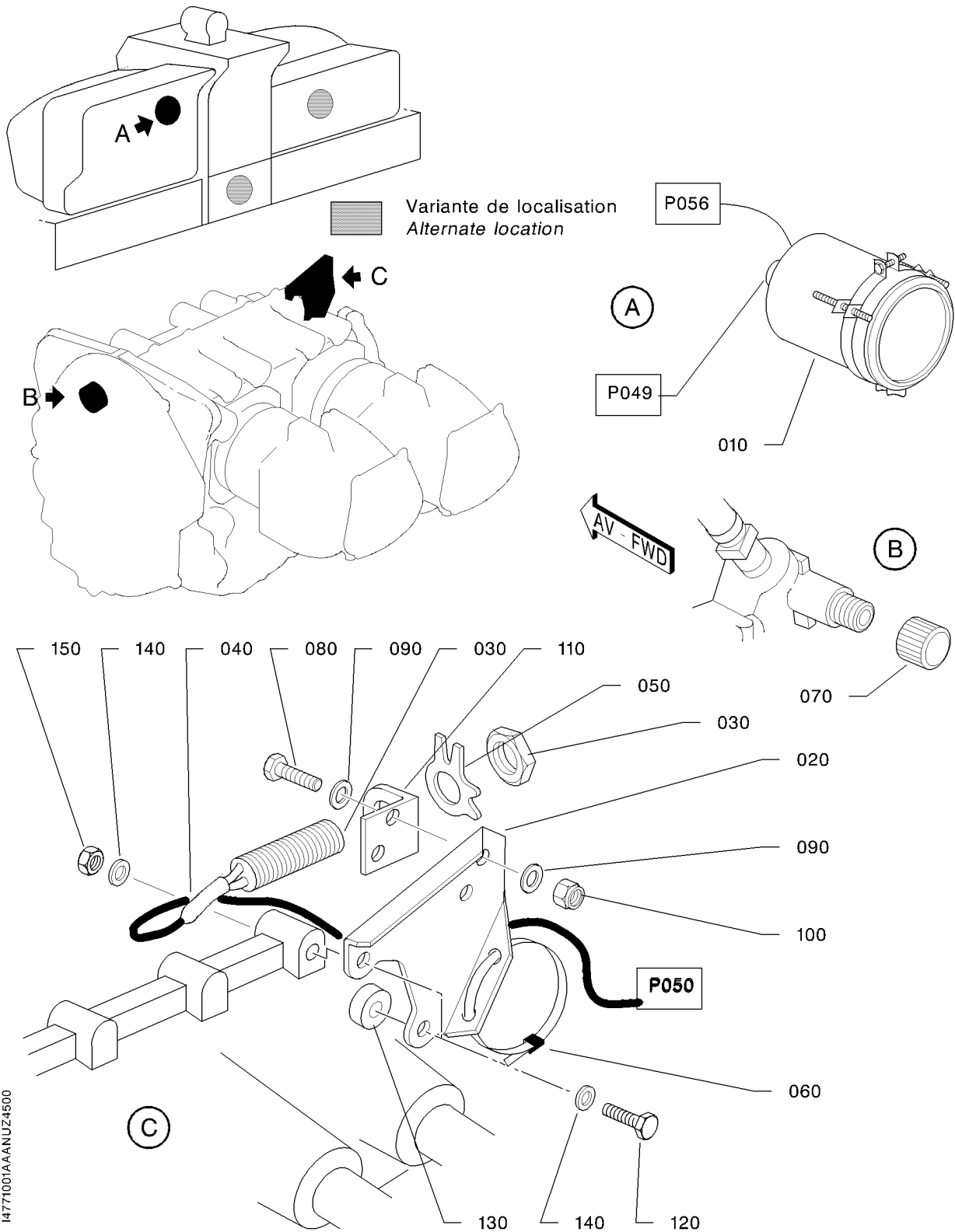
FIG. 1

PAGE 2 R

NOV 30/18

S/N 1 - 822, 850 - 887, 889 - 947

PAGE INTENTIONALLY BLANK



TACHOMETER
FIGURE 1A

77-10-01

FIG. 1A

PAGE 0 R

NOV 30/18

FIG.ITEM	PART NUMBER	NOMENCLATURE		EFFECT FROM TO	UNITS PER ASSY	OBS
		1234567 				
1A- 1	TF77-10-01-01A-001		TACHOMETER		RF	
10	6046727220		.TACHOMETER INDICATOR WITHOUT NOISE REDUCTION OPTION, WITHOUT BUILT-IN HOURMETER RPLD BY 6029357223		1	
- 10A	6029357223		.TACHOMETER INDICATOR WITHOUT NOISE REDUCTION OPTION RPLS 6046727220		1	
20	TB10 61812001		.SUPPORT S/N 823 - 849, 888, 948 - 1009, 1012 - 1017, 1021 - 1023, 1026 - 1041 RPLD BY OPT10 916400		1	
- 20A	TB10 61214100		.SUPPORT S/N 1010, 1011, 1018 - 1020, 1024, 1025, 1042 - 1701, 1707 - 1763 RPLD BY TB10 61214101		1	OR
- 20B	TB10 61214101		.SUPPORT RPLS TB10 61214100 RPLD BY OPT10 921800		1	
30	TB20 61822000		.TACHOMETER SENSOR ASSY S/N 823 - 849, 888, 948 - 1009, 1012 - 1017, 1021 - 1023, 1026 - 1041 RPLD BY OPT10 916400		1	
- 30A	TB10 61228000		.TACHOMETER SENSOR ASSY S/N 1010, 1011, 1018 - 1020, 1024, 1025, 1042 - 1809 RPLD BY TB10 6121412400 + TB20 61822000		1	
40	4340730006		..SHEATH		AR	
50	5759078100		.LOCKWASHER		1	
60	7141940020		.TIE-WRAP VF6728		2	
70	7125230000		.COVER V80254 OPT TO 62732 MADE BY V80254		1	
80	5101229174		.BOLT		2	R
90	5705015240		.WASHER VF0111 OPT TO 23118AD050L MADE BY VF0111		4	
100	5401458239		.NUT OPT TO E25412B50QQVAL MADE BY VF0110		2	R
110	TB10 61214102		.ANGLE BRACKET S/N 1010, 1011, 1018 - 1020, 1024, 1025, 1042 - 1809		1	

- ITEM NOT ILLUSTRATED

77-10-01

FIG. 1A

PAGE 1

NOV 30/18

S/N 823 - 849, 888, 948 - 1809

FIG. ITEM	PART NUMBER	1234567 	NOMENCLATURE	EFFECT FROM TO	UNITS PER ASSY	OBS
1A 120	7907250175		.SCREW V80254 S/N 823 - 849, 888, 948 - 1184, 1186 - 1191, 1194 - 1213, 1215 - 1305, 1307 - 1324, 1326, 1328 - 1333, 1338, 1340 - 1347, 1349, 1356 - 1372, 1377 - 1381, 1383 - 1387, 1398 - 1400, 1404, 1408 - 1409, 1412, 1415, POST-SB 10-076-77		2	
130	TB10 09001152		.SPACER S/N 823 - 849, 888, 948 - 1184, 1186 - 1191, 1194 - 1213, 1215 - 1305, 1307 - 1324, 1326, 1328 - 1333, 1338, 1340 - 1347, 1349, 1356 - 1372, 1377 - 1381, 1383 - 1387, 1398 - 1400, 1404, 1408 - 1409, 1412, 1415, POST-SB 10-076-77		2	
140			.WASHER SUPPLIED WITH POWER PLANT		4	
150			.NUT SUPPLIED WITH POWER PLANT		2	
-160	TB09 7620011201		.SUPPORT WITH TACHOMETER INDICATOR ON CENTRAL CONSOLE		1	

- ITEM NOT ILLUSTRATED

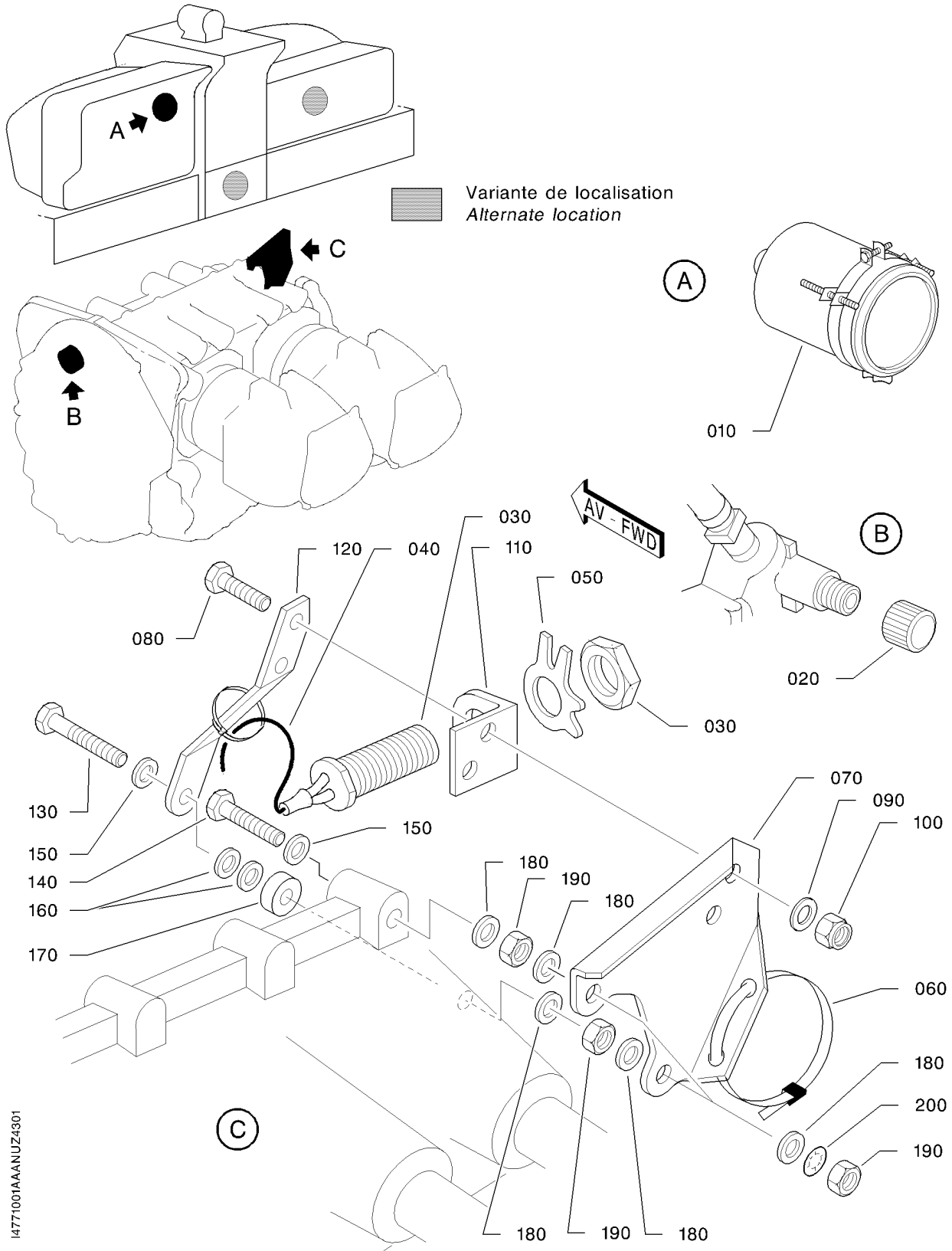
77-10-01

FIG. 1A

PAGE 2 R

NOV 30/18

PAGE INTENTIONALLY BLANK



14771001AAANUZ4301

TACHOMETER
FIGURE 1B

77-10-01

FIG. 1B

PAGE 0 R

NOV 30/18

FIG. ITEM	PART NUMBER	1234567 	NOMENCLATURE	EFFECT FROM TO	UNITS PER ASSY	OBS
1B- 1	TF77-10-01-01B-001		TACHOMETER		RF	
10	6046727220		.TACHOMETER INDICATOR WITHOUT NOISE REDUCTION OPTION, WITHOUT BUILT-IN HOURMETER RPLD BY 6029357223		1	
- 10A	6029357223		.TACHOMETER INDICATOR WITHOUT NOISE REDUCTION OPTION, POST-MOD. 181 RPLS 6046727220		1	
20	7125230000		.COVER OPT TO 62732 MADE BY V80254		1	R
30	TB10 61228000		.TACHOMETER SENSOR ASSY RPLD BY TB10 6121412400 + TB20 61822000		1	
40	4340730006		..SHEATH		AR	
50	5759078100		.LOCKWASHER		1	
60	7141940020		.TIE-WRAP OPT TO TY24M MADE BY VF6728		2	R
70	TB10 61214101		.SUPPORT ATTACHING PARTS		1	
80	5101229179		.BOLT		2	R
90	5701039240		.WASHER OPT TO ASN 53101 MADE BY VF0111		2	R
100	5401458239		.NUT OPT TO E25412B50QQVAL MADE BY VF0110		2	R
110	TB10 61214102		* * * .ANGLE BRACKET		1	
120	TB10 6121410300		.STRUT ATTACHING PARTS		1	
130	7907230008		.BOLT OPT TO LW25-2-00 MADE BY V80254		1	R
140			.BOLT SUPPLIED WITH POWER PLANT		1	
150			.WASHER SUPPLIED WITH POWER PLANT		2	
160	5745505325		.WASHER OPT TO AN960-416L MADE BY V88044 MAX. QUANTITY : 6 RPLD BY 5741151432		AR	R
-160A	5741151432		.WASHER OPT TO NAS1149F0432P MADE BY VF0111 MAX. QUANTITY : 6 RPLS 5745505325		AR	R
170	TB10 09001152		.SPACER		1	

- ITEM NOT ILLUSTRATED

77-10-01

FIG. 1B

PAGE 1

NOV 30/18

S/N 1810 - 1900

FIG. ITEM	PART NUMBER	1234567 	NOMENCLATURE	EFFECT FROM TO	UNITS PER ASSY	OBS
1B 180	7743230036		.WASHER OPT TO STD8 MADE BY V80254		6	R
190	7228251411		.NUT OPT TO STD1411 MADE BY V80254		4	R
200			.WASHER SUPPLIED WITH POWER PLANT * * *		2	
-210	TB09 7620011201		.SUPPORT		1	

- ITEM NOT ILLUSTRATED

77-10-01

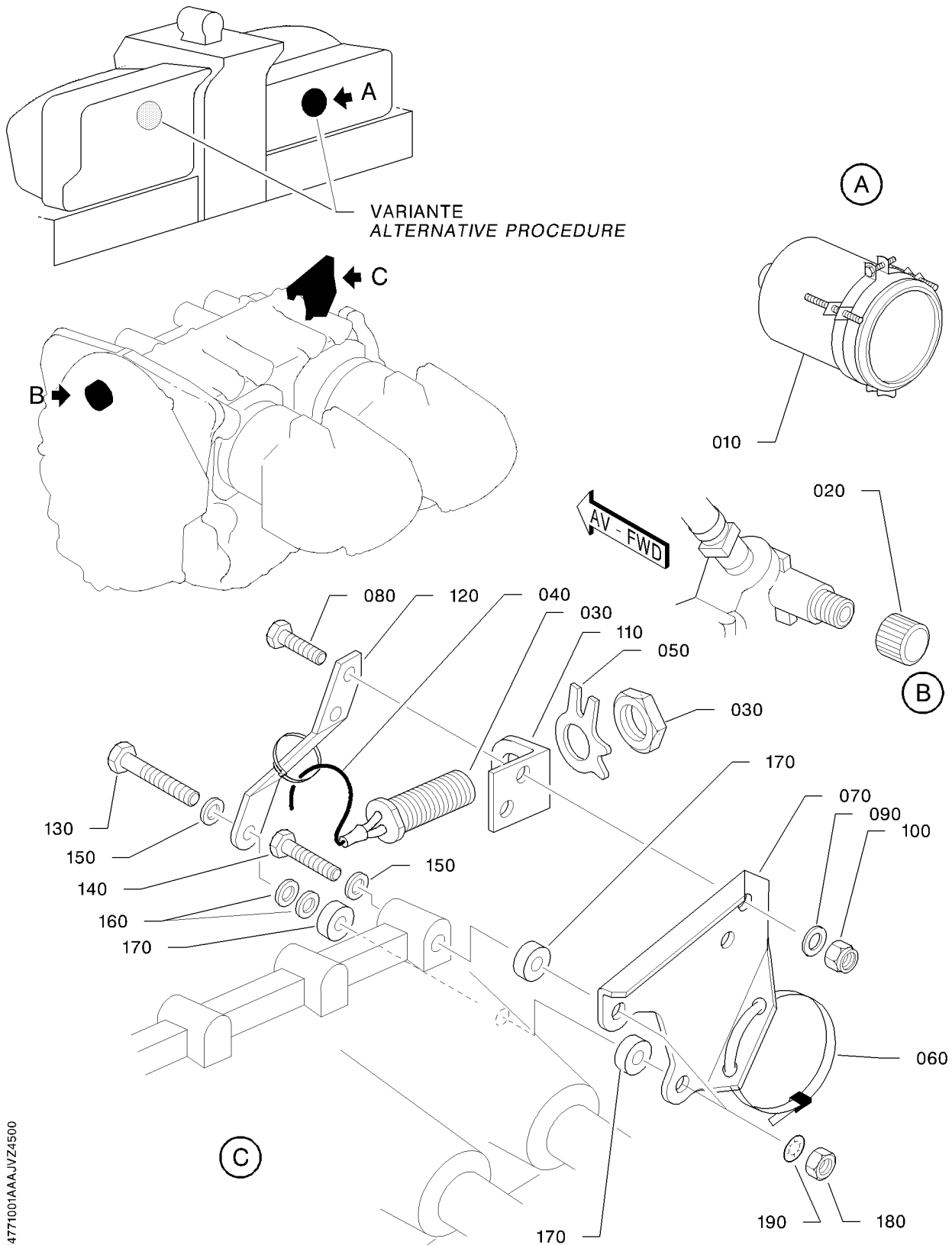
FIG. 1B

PAGE 2

NOV 30/18

S/N 1810 - 1900

PAGE INTENTIONALLY BLANK



I4771001AAAJVZ4500

TACHOMETER
FIGURE 1C

77-10-01

FIG. 1C

PAGE 0 R

NOV 30/18

FIG. ITEM	PART NUMBER	1234567 	NOMENCLATURE	EFFECT FROM TO	UNITS PER ASSY	OBS
1C- 1	TF77-10-01-01C-001		TACHOMETER		RF	
10	6046727220		.TACHOMETER INDICATOR WITHOUT NOISE REDUCTION OPTION, WITHOUT BUILT-IN HOURMETER, PRE-MOD. 151 RPLD BY 6046727229		1	
- 10A	6046727229		.TACHOMETER INDICATOR WITHOUT NOISE REDUCTION OPTION, WITH BUILT-IN HOURMETER, POST-MOD. 151, PRE-MOD. 176 RPLS 6046727220 RPLD BY 6046727237		1	
- 10B	6046727237		.TACHOMETER INDICATOR WITHOUT NOISE REDUCTION OPTION, POST-MOD. 176 RPLS 6046727229 RPLD BY 6029357223		1	
- 10C	6029357223		.TACHOMETER INDICATOR WITHOUT NOISE REDUCTION OPTION, POST-MOD. 181 RPLS 6046727237		1	
20	7125230000		.COVER OPT TO 62732 MADE BY V80254		1	R
30	TB20 61822000		.TACHOMETER SENSOR ASSY		1	
40	4340730006		..SHEATH		AR	
50	5759078120		.LOCKWASHER		1	
60	7141940020		.TIE-WRAP OPT TO TY24M MADE BY VF6728		2	R
70	TB10 61214101		.SUPPORT ATTACHING PARTS		1	
80	5101229179		.BOLT		2	R
90	5701039240		.WASHER OPT TO ASN 53101 MADE BY VF0111		2	R
100	5401458239		.NUT OPT TO E25412B50QQVAL MADE BY VF0110 * * *		2	R
110	TB10 6121412400		.ANGLE BRACKET		1	
120	TB10 6121410300		.STRUT ATTACHING PARTS		1	
130	7907230008		.BOLT OPT TO LW25-2-00 MADE BY V80254		1	R
140			.BOLT SUPPLIED WITH POWER PLANT		1	
150			.WASHER SUPPLIED WITH POWER PLANT		2	

- ITEM NOT ILLUSTRATED

77-10-01

FIG. 1C

PAGE 1

NOV 30/18

FIG. ITEM	PART NUMBER	1234567 	NOMENCLATURE	EFFECT FROM TO	UNITS PER ASSY	OBS
1C 160	5745505325		.WASHER OPT TO AN960-416L MADE BY V88044 MAX. QUANTITY : 6 RPLD BY 5741151432		AR	R
-160A	5741151432		.WASHER OPT TO NAS1149F0432P MADE BY VF0111 MAX. QUANTITY : 6 RPLS 5745505325		AR	R
170	TB10 09001152		.SPACER		3	
180	7228251411		.NUT OPT TO STD1411 MADE BY V80254		2	R
190			.WASHER SUPPLIED WITH POWER PLANT * * *		2	

- ITEM NOT ILLUSTRATED

77-10-01

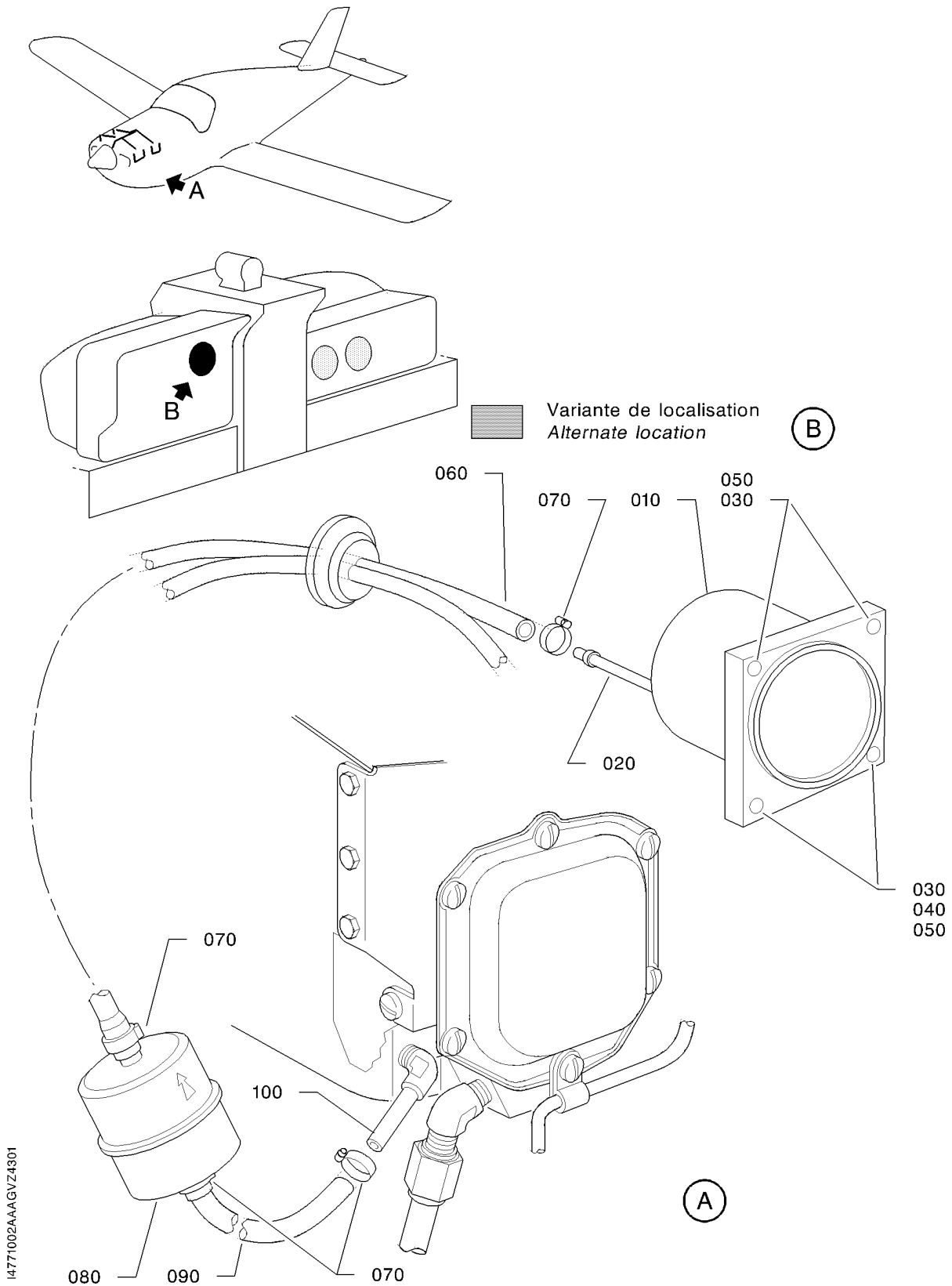
FIG. 1C

PAGE 2

NOV 30/18

S/N 1901 - 9999

PAGE INTENTIONALLY BLANK



I4771002AAAAGVZ4301

MANIFOLD PRESSURE
FIGURE 1

77-10-02

FIG. 1
PAGE 0 R
NOV 30/18

FIG. ITEM	PART NUMBER	NOMENCLATURE		EFFECT FROM TO	UNITS PER ASSY	OBS
		1234567 				
1 - 1	TF77-10-02-01-001		MANIFOLD PRESSURE		RF	
10	6093557221		.MANIFOLD PRESSURE INDICATOR		1	
20	7730062372		.ADAPTER V88044 OPT TO AN 840 - 4D MADE BY V88044		2	
30	5111929046		.SCREW VF0110 OPT TO E27116C30Q20CCU MADE BY VF0110 VARIANT		4	
- 30A	5165691135		.SCREW OPT TO AN515C6-16 MADE BY V88044 VARIANT		4	
40	5706039160		.WASHER OPT TO NFL23116AD040L MADE BY VF0111		2	R
50	5389833095		.NUT WITH 5111929046		4	NP
- 50A	5385832134		.NUT V80205 OPT TO NAS487.16 MADE BY V80205 WITH 5165691135		4	
60	4281621006		.HOSE		1	
70	7141230011		.CLAMP OPT TO 66-100 MADE BY VF0335		4	R
80	7284010020		.FILTER VF0419 OPT TO GF20 MADE BY VF0419 RPLD BY 7284480001		1	OR
- 80A	7284480001		.FILTER VF3896 OPT TO EP57 MADE BY VF3896 RPLS 7284010020 RPLD BY 7284480058		1	
- 80B	7284480058		.FILTER VF3896 OPT TO EP58 MADE BY VF3896 RPLS 7284480001		1	
90	4281621006		.HOSE		1	
100	7730061341		.90 ADAPTER OPT TO AN844-4 MADE BY V88044		1	

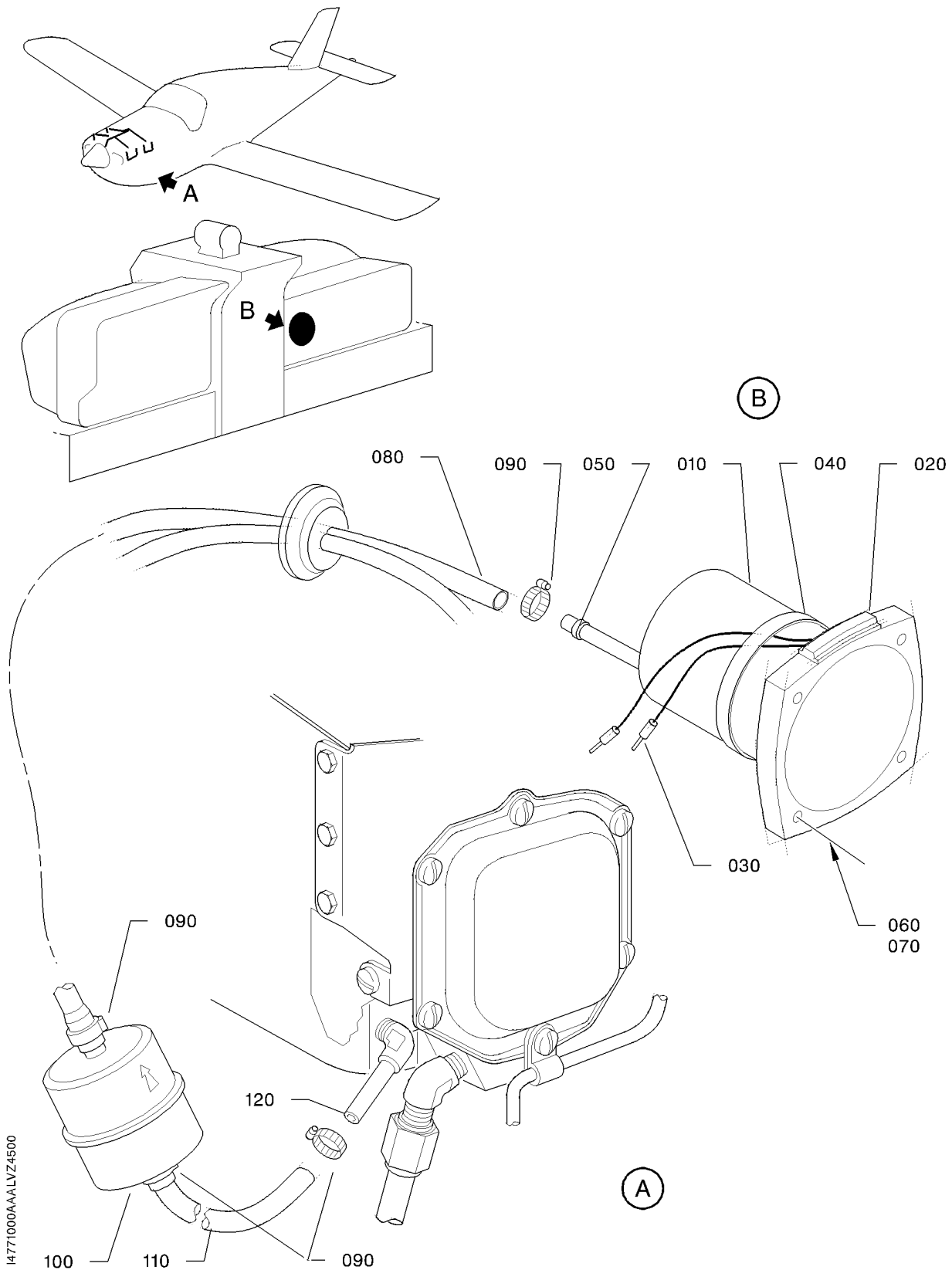
- ITEM NOT ILLUSTRATED

77-10-02

FIG. 1

PAGE 1

NOV 30/18



I4771000AAALVZ4500

MANIFOLD PRESSURE
FIGURE 1A

77-10-02

FIG. 1A

PAGE 0 R

NOV 30/18

FIG. ITEM	PART NUMBER	1234567 	NOMENCLATURE	EFFECT FROM TO	UNITS PER ASSY	OBS
1A- 1	TF77-10-02-01A-001		MANIFOLD PRESSURE		RF	
10	6074687238		.MANIFOLD PRESSURE V16455 INDICATOR OPT TO PN6111CODE-D50 MADE BY V16455		1	
20	7790011602		..LAMP SUPPORT V02939 OPT TO 715-9016-02 MADE BY V02939		1	
30	7275940000		.MALE CONNECTOR V59730 OPT TO RZBM-N MADE BY V59730		2	
40	7141940034		.TIE-WRAP VF6728 OPT TO TY244 MADE BY VF6728		1	
50	7730062372		.ADAPTER V88044 OPT TO AN 840 - 4D MADE BY V88044		2	
60	5111929055		.SCREW VARIANT		4	NP
- 60A	5165691139		.SCREW OPT TO AN515C6-20 MADE BY V88044 VARIANT		4	
70	5385833099		.NUT VF0580 OPT TO A8943-350 MADE BY VF0580 WITH 5111929055		4	NP
- 70A	5385832137		.NUT V80205 OPT TO NAS487.20 MADE BY V80205 WITH 5165691139		4	NP
80	4281621006		.HOSE		1	
90	7141230011		.CLAMP OPT TO 66-100 MADE BY VF0335		4	R
100	7284010020		.FILTER VF0419 OPT TO GF20 MADE BY VF0419 RPLD BY 7284480001		1	OR
-100A	7284480001		.FILTER VF3896 OPT TO EP57 MADE BY VF3896 RPLS 7284010020 RPLD BY 7284480058		1	
-100B	7284480058		.FILTER VF3896 OPT TO EP58 MADE BY VF3896 RPLS 7284480001		1	
110	4281621006		.HOSE		1	
120	7730061341		.90 ADAPTER OPT TO AN844-4 MADE BY V88044		1	

- ITEM NOT ILLUSTRATED

77-10-02

FIG. 1A

PAGE 1

NOV 30/18

S/N 731 - 764, 766 - 878, WITH CONSTANT SPEED PROPELLER

FIG.ITEM	PART NUMBER	NOMENCLATURE	EFFECT FROM TO	UNITS PER ASSY	OBS
		1234567 			
2 - 1	TF77-20-00-02-001	EGT/CHT TEMPERATURE INDICATING		RF	
10	6001557221	.EGT/CHT INDICATOR		1	
20		..LAMP TRAY		1	
30	6001557230	.EGT PROBE		1	
50	7008010000	.PROBE ADAPTER		1	
60	6001557226	.CHT PROBE		1	
70	7141940020	.TIE-WRAP VF6728		10	
80	7141940034	.TIE-WRAP VF6728 OPT TO TY244 MADE BY VF6728		1	

- ITEM NOT ILLUSTRATED

77-20-00

FIG. 2

PAGE 1 R

NOV 30/18

PAGE INTENTIONALLY BLANK