

78

EXHAUST

CHAPTER 78
EXHAUST
LIST OF EFFECTIVE PAGES

CH-SECT	UNIT-FIG	PAGE		DATE	CH-SECT	UNIT-FIG	PAGE	DATE
LEP		1	*	NOV 30/18				
LEP		2	*	NOV 30/18				
TOC		1	*	NOV 30/18				
78-00-00	1	0	*	NOV 30/18				
78-00-00	1	1	*	NOV 30/18				
78-00-00	1A	0	*	NOV 30/18				
78-00-00	1A	1	*	NOV 30/18				
78-00-00	1A	2	*	NOV 30/18				
78-00-00	1A	3	*	NOV 30/18				
78-00-00	1B	0	*	NOV 30/18				
78-00-00	1B	1	*	NOV 30/18				
78-00-00	1B	2	*	NOV 30/18				
78-00-00	1B	3	*	NOV 30/18				
78-00-00	1C	0	*	NOV 30/18				
78-00-00	1C	1	*	NOV 30/18				
78-00-00	1C	2	*	NOV 30/18				
78-00-00	1C	3	*	NOV 30/18				
78-00-00	1C	4	*	NOV 30/18				
78-00-00	1C	5	*	NOV 30/18				
78-00-00	1D	0	*	NOV 30/18				
78-00-00	1D	1	*	NOV 30/18				
78-00-00	1D	2	*	NOV 30/18				

* THE ASTERISK INDICATES PAGES CHANGED, ADDED OR DELETED

78 - LIST OF EFFECTIVE PAGES

PAGE 1

PAGE INTENTIONALLY BLANK

78 - LIST OF EFFECTIVE PAGES

PAGE 2

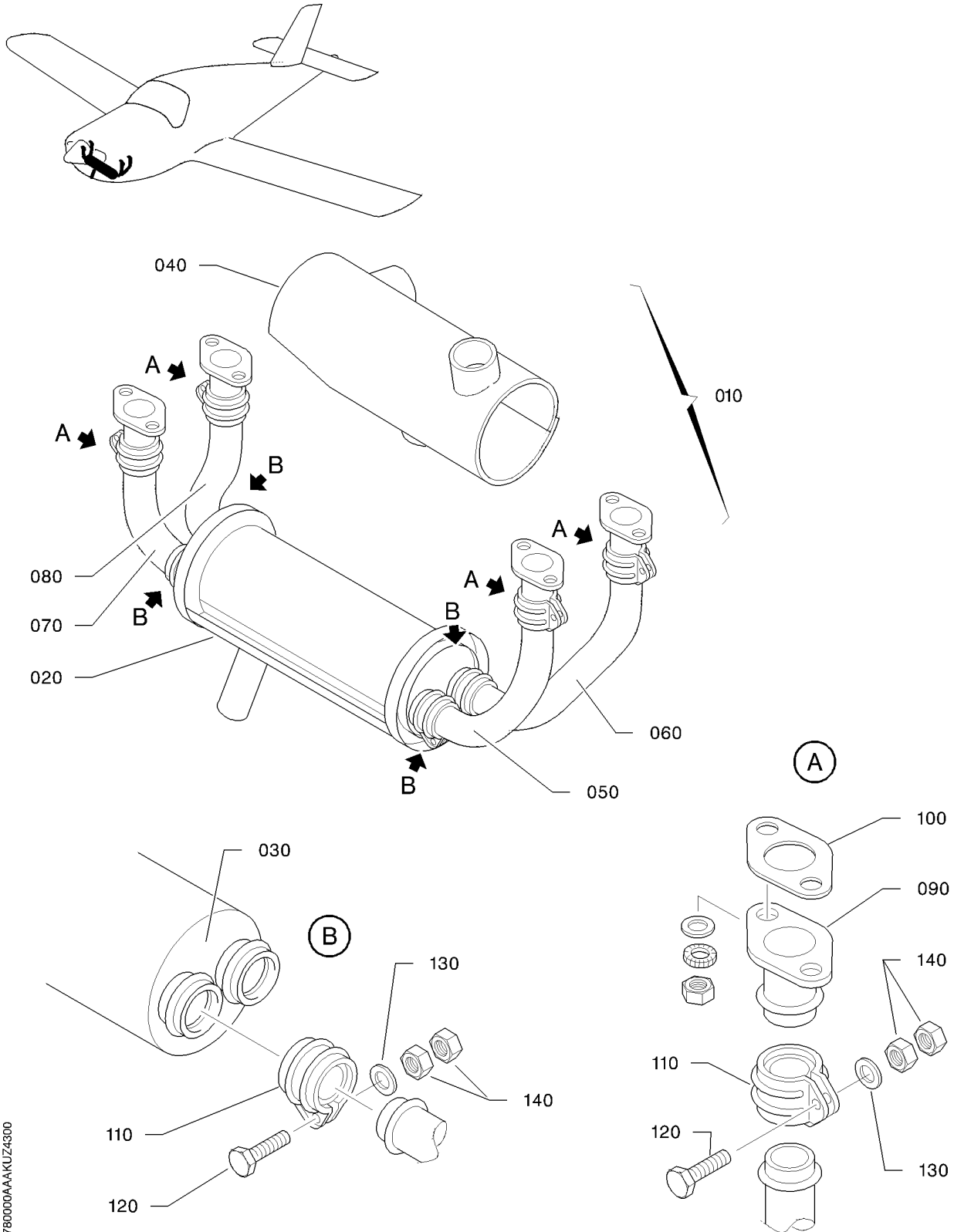
NOV 30/18

CHAPTER 78
EXHAUST
TABLE OF CONTENTS

SUBJECT	CHAPTER SECTION FIG. SUBJECT	VALIDITY
EXHAUST	78-00	
EXHAUST	78-00-00 1	S/N 1 - 374 PRE-SB 10-019-78, 10-062-78, 10-072-78, NOT VALID WITH OPTION OPT10 A890
EXHAUST	78-00-00 1A	S/N 375 - 1052, 1054 - 1306, 1309 - 1324, 1326 - 1354, 1356 - 1375, 1377 - 1424, 1426 - 1444, 1476, PRE-SB 10-062-78, 10-072-78 ; S/N 1 - 374 POST-SB 10-019-78, PRE-SB 10-062-78, 10-072-78
EXHAUST	78-00-00 1B	S/N 1053, 1307, 1308, 1325, 1355, 1376, 1425, 1445 - 1475, 1477 - 1619, PRE-SB 10-72-78 ; S/N 1 - 1052, 1054 - 1306, 1309 - 1324, 1326 - 1354, 1356 - 1375, 1377 - 1424, 1426 - 1444, 1476, POST-SB 10-019-78, SB 10-062-78 AND PRE-SB 10-072-78
EXHAUST	78-00-00 1C	S/N 1620 - 1863 ; S/N 1 - 1619 POST-SB 10-019-78, SB 10-072-78
EXHAUST	78-00-00 1D	S/N 1864 - 9999

78 - TABLE OF CONTENTS

PAGE 1



14780000AAAKUZ4300

EXHAUST
FIGURE 1

78-00-00

FIG. 1
PAGE 0 R

NOV 30/18

S/N 1 - 374 PRE-SB 10-019-78, 10-062-78, 10-072-78, NOT VALID WITH OPTION OPT10 A890

FIG.ITEM	PART NUMBER	1234567 	NOMENCLATURE	EFFECT FROM TO	UNITS PER ASSY	OBS
1 - 1	TF78-00-00-01-001		EXHAUST		RF	
10	TB09 56010003		.EXCHANGER / EXHAUST PIPE ASSY POST-SB 10-111-78 (OPTION OPT10 A890), SHORTEN EXHAUST OUTLET TUBE TO REQUIRED LENGTH RPLD BY TB09 5602400100		1	NP
20	TB10 56010001		..EXHAUST PIPE POST-SB 10-111-78 (OPTION OPT10 A890), SHORTEN EXHAUST OUTLET TUBE TO REQUIRED LENGTH RPLD BY TB09 5602400100		1	NP
- 20A	TB10 56011000		..EXHAUST PIPE POST-SB 10-111-78 (OPTION OPT10 A890), SHORTEN EXHAUST OUTLET TUBE TO REQUIRED LENGTH RPLS TB10 56010001 RPLD BY TB09 5602400100		1	NP
30	OPT10 914700		...BASE ASSEMBLY VALID FOR REPAIR RPLD BY OPT10 919500		1	NP
- 30A	OPT10 919500		...BASE ASSEMBLY VALID FOR REPAIR RPLS OPT10 914700		1	
40	TB21-40-01-01		..HEAT EXCHANGER		1	
50	TB10 56006102		.L.H. FRONT PIPE RPLD BY TB10 56006003		1	NP
60	TB10 56006103		.L.H. PIPE RPLD BY TB10 56006004		1	OR
70	TB10 56006104		.R.H. FRONT PIPE RPLD BY TB10 56006005		1	OR
80	TB10 56006105		.R.H. REAR PIPE RPLD BY TB10 56006006		1	OR
90	TB10 56006001		.FLANGE ASSY		4	
100	7423254021		.GASKET V80254 OPT TO 65321 MADE BY V80254 ATTACHING PARTS		4	NP
110	TB10 56008000		.CLAMP ASSY RPLD BY TB10 56008001		8	NP
-110A	TB10 56008001		.CLAMP ASSY RPLS TB10 56008000		8	
120	5101230295		.BOLT		8	NP
130	5701039290		.WASHER OPT TO 23111AD060L MADE BY VFO111		8	
140	5303974300		.NUT * * *		16	NP

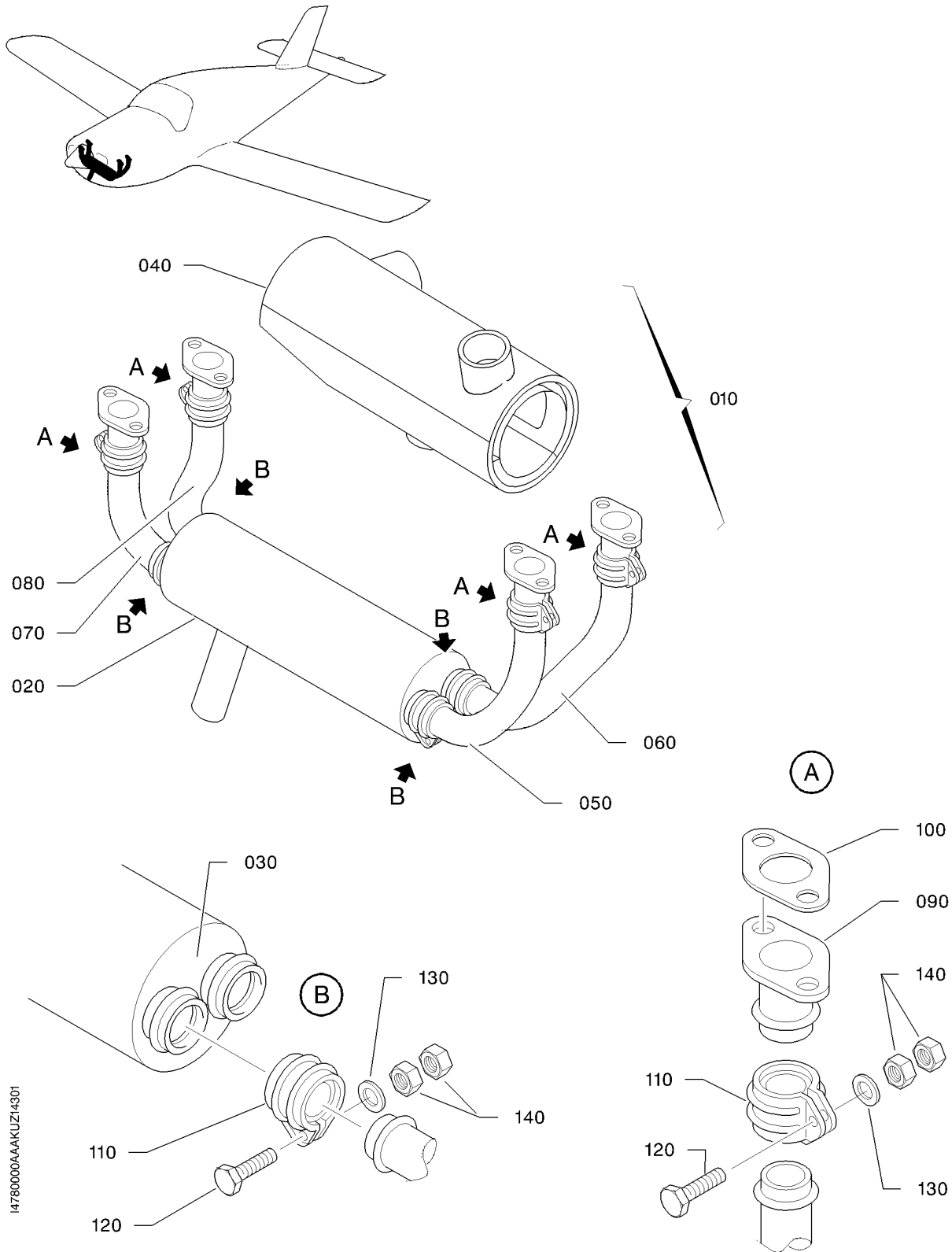
- ITEM NOT ILLUSTRATED

78-00-00

FIG. 1
PAGE 1

NOV 30/18

S/N 1 - 374 PRE-SB 10-019-78, 10-062-78, 10-072-78, NOT VALID WITH OPTION OPT10 A890



EXHAUST
FIGURE 1A

78-00-00

FIG. 1A
PAGE 0 R

NOV 30/18
S/N 375 - 1052, 1054 - 1306, 1309 - 1324, 1326 - 1354, 1356 - 1375, 1377 - 1424,
1426 - 1444, 1476, PRE-SB 10-062-78, 10-072-78 ; S/N 1 - 374 POST-SB 10-019-78,
PRE-SB 10-062-78, 10-072-78

FIG.ITEM	PART NUMBER	1234567 	NOMENCLATURE	EFFECT FROM TO	UNITS PER ASSY	OBS
1A- 1 10	TF78-00-00-01A-001 TB09 56002002		EXHAUST .EXCHANGER / EXHAUST PIPE ASSY WITHOUT OPTION OPT10 D851, OPT10 D856 POST-SB 10-111-78 (OPTION OPT10 A890), SHORTEN EXHAUST OUTLET TUBE TO REQUIRED LENGTH RPLD BY TB09 5602400100		RF 1	OR
- 10A	TB09 56002004		.EXCHANGER / EXHAUST PIPE ASSY WITHOUT OPTION OPT10 D851, OPT10 D856 POST-SB 10-111-78 (OPTION OPT10 A890), SHORTEN EXHAUST OUTLET TUBE TO REQUIRED LENGTH RPLS TB09 56002002 RPLD BY TB09 5602400100		1	OR
20	TB10 56012001		..EXHAUST PIPE WITHOUT OPTION OPT10 D851, OPT10 D856 FOR EXCHANGER ASSEMBLY INSTRUCTION WHEN REPLACING BY A TB10 5602500000 PIPE, ORDER DRAWING TB10 96035 AT THE LATEST INDEX POST-SB 10-111-78 (OPTION OPT10 A890), SHORTEN EXHAUST OUTLET TUBE TO REQUIRED LENGTH RPLD BY TB10 5602500000		1	OR
- 20A	TB10 56012008R		..EXHAUST PIPE WITHOUT OPTION OPT10 D851, OPT10 D856 FOR EXCHANGER ASSEMBLY INSTRUCTION WHEN REPLACING BY A TB10 5602500000 PIPE, ORDER DRAWING TB10 96035 AT THE LATEST INDEX POST-SB 10-111-78 (OPTION OPT10 A890), SHORTEN EXHAUST OUTLET TUBE TO REQUIRED LENGTH RPLS TB10 56012001 RPLD BY TB10 5602500000		1	OR
30	OPT10 914700		...BASE ASSEMBLY WITHOUT OPTION OPT10 D851, OPT10 D856 VALID FOR REPAIR RPLD BY OPT10 919500		1	NP

- ITEM NOT ILLUSTRATED

78-00-00

FIG. 1A

PAGE 1 R

NOV 30/18

S/N 375 - 1052, 1054 - 1306, 1309 - 1324, 1326 - 1354, 1356 - 1375, 1377 - 1424,
1426 - 1444, 1476, PRE-SB 10-062-78, 10-072-78 ; S/N 1 - 374 POST-SB 10-019-78,
PRE-SB 10-062-78, 10-072-78

FIG. ITEM	PART NUMBER	1234567 	NOMENCLATURE	EFFECT FROM TO	UNITS PER ASSY	OBS
1A- 30A	OPT10 919500		...BASE ASSEMBLY WITHOUT OPTION OPT10 D851, OPT10 D856 VALID FOR REPAIR RPLS OPT10 914700		1	
40	TB21-40-01-01		..HEAT EXCHANGER WITHOUT OPTION OPT10 D851, OPT10 D856		1	
50	TB10 56006102		.L.H. FRONT PIPE RPLD BY TB10 56006003		1	NP
60	TB10 56006103		.L.H. PIPE RPLD BY TB10 56006004		1	OR
70	TB10 56006104		.R.H. FRONT PIPE RPLD BY TB10 56006005		1	OR
80	TB10 56006105		.R.H. REAR PIPE RPLD BY TB10 56006006		1	OR
90	TB10 56006001		.FLANGE ASSY		4	
100	7423254021		.GASKET V80254 OPT TO 65321 MADE BY V80254 ATTACHING PARTS		4	NP
110	TB10 56008000		.CLAMP ASSY RPLD BY TB10 56008001		8	NP
-110A	TB10 56008001		.CLAMP ASSY RPLS TB10 56008000		8	
120	5101230295		.BOLT		8	NP
130	5701039290		.WASHER OPT TO 23111AD060L MADE BY VFO111		8	R
140	5303974300		.NUT * * *		16	NP

- ITEM NOT ILLUSTRATED

78-00-00

FIG. 1A

PAGE 2

NOV 30/18

S/N 375 - 1052, 1054 - 1306, 1309 - 1324, 1326 - 1354, 1356 - 1375, 1377 - 1424,
1426 - 1444, 1476, PRE-SB 10-062-78, 10-072-78 ; S/N 1 - 374 POST-SB 10-019-78,
PRE-SB 10-062-78, 10-072-78

PAGE INTENTIONALLY BLANK

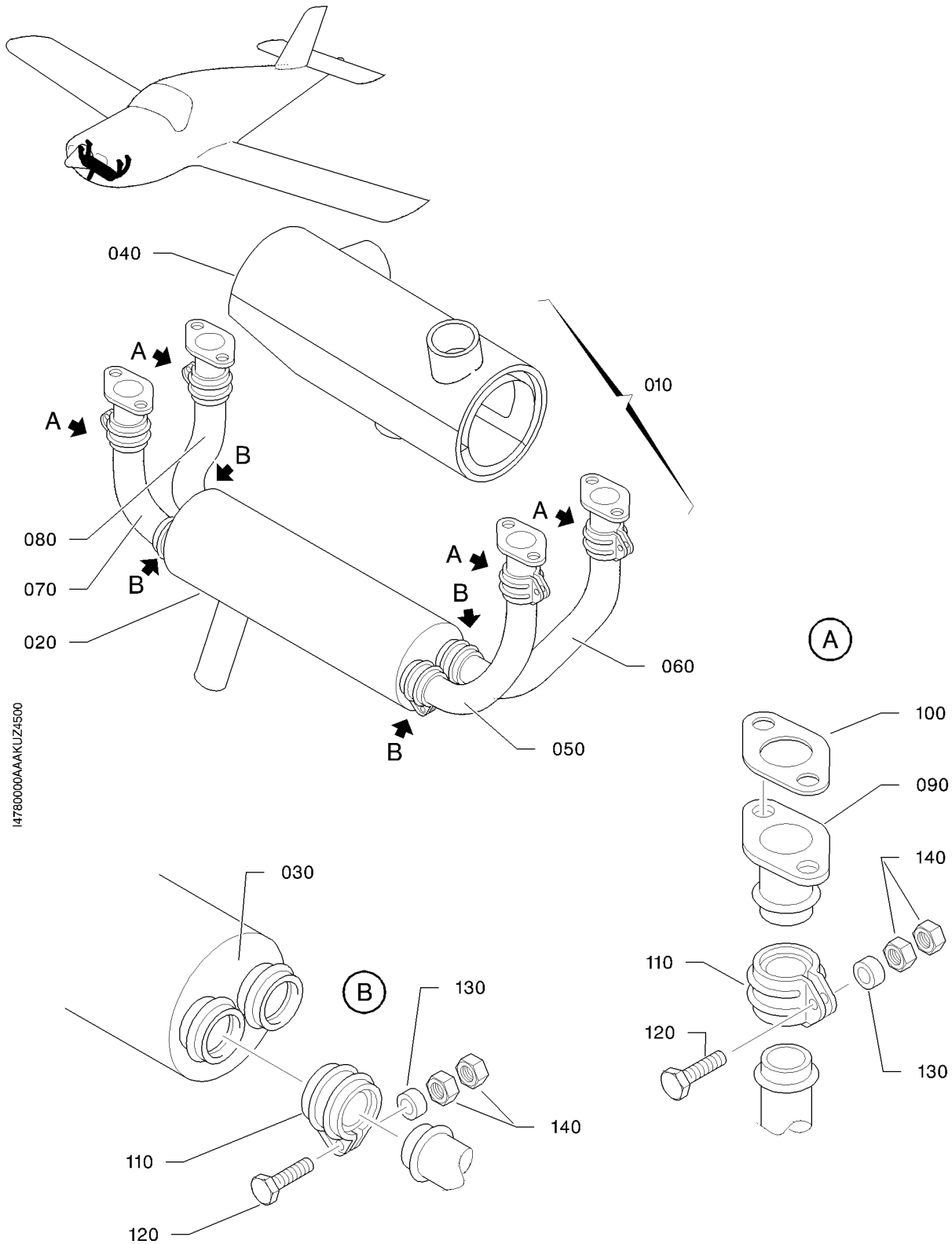
78-00-00

FIG. 1A

PAGE 3 R

NOV 30/18

S/N 375 - 1052, 1054 - 1306, 1309 - 1324, 1326 - 1354, 1356 - 1375, 1377 - 1424,
1426 - 1444, 1476, PRE-SB 10-062-78, 10-072-78 ; S/N 1 - 374 POST-SB 10-019-78,
PRE-SB 10-062-78, 10-072-78



EXHAUST
FIGURE 1B

78-00-00

FIG. 1B
PAGE 0 R

NOV 30/18

S/N 1053, 1307, 1308, 1325, 1355, 1376, 1425, 1445 - 1475, 1477 - 1619, PRE-SB 10-72-78 ; S/N 1 - 1052, 1054 - 1306, 1309 - 1324, 1326 - 1354, 1356 - 1375, 1377 - 1424, 1426 - 1444, 1476, POST-SB 10-019-78, SB 10-062-78 AND PRE-SB 10-072-78

FIG.ITEM	PART NUMBER	1234567 	NOMENCLATURE	EFFECT FROM TO	UNITS PER ASSY	OBS
1B- 1	TF78-00-00-01B-001		EXHAUST		RF	
10	TB09 56002002		.EXCHANGER / EXHAUST PIPE ASSY WITHOUT OPTION OPT10 D851, OPT10 D856 POST-SB 10-111-78 (OPTION OPT10 A890), SHORTEN EXHAUST OUTLET TUBE TO REQUIRED LENGTH RPLD BY TB09 5602400100		1	OR
- 10A	TB09 56002004		.EXCHANGER / EXHAUST PIPE ASSY WITHOUT OPTION OPT10 D851, OPT10 D856 POST-SB 10-111-78 (OPTION OPT10 A890), SHORTEN EXHAUST OUTLET TUBE TO REQUIRED LENGTH RPLS TB09 56002002 RPLD BY TB09 5602400100		1	OR
20	TB10 56012001		..EXHAUST PIPE WITHOUT OPTION OPT10 D851, OPT10 D856 FOR EXCHANGER ASSEMBLY INSTRUCTION WHEN REPLACING BY A TB10 5602500000 PIPE, ORDER DRAWING TB10 96035 AT THE LATEST INDEX POST-SB 10-111-78 (OPTION OPT10 A890), SHORTEN EXHAUST OUTLET TUBE TO REQUIRED LENGTH RPLD BY TB10 5602500000		1	OR
- 20A	TB10 56012008R		..EXHAUST PIPE WITHOUT OPTION OPT10 D851, OPT10 D856 FOR EXCHANGER ASSEMBLY INSTRUCTION WHEN REPLACING BY A TB10 5602500000 PIPE, ORDER DRAWING TB10 96035 AT THE LATEST INDEX POST-SB 10-111-78 (OPTION OPT10 A890), SHORTEN EXHAUST OUTLET TUBE TO REQUIRED LENGTH RPLS TB10 56012001 RPLD BY TB10 5602500000		1	OR
30	OPT10 914700		...BASE ASSEMBLY WITHOUT OPTION OPT10 D851, OPT10 D856 VALID FOR REPAIR RPLD BY OPT10 919500		1	NP

- ITEM NOT ILLUSTRATED

78-00-00

FIG. 1B

PAGE 1 R

NOV 30/18

S/N 1053, 1307, 1308, 1325, 1355, 1376, 1425, 1445 - 1475, 1477 - 1619, PRE-SB 10-72-78 ; S/N 1 - 1052, 1054 - 1306, 1309 - 1324, 1326 - 1354, 1356 - 1375, 1377 - 1424, 1426 - 1444, 1476, POST-SB 10-019-78, SB 10-062-78 AND PRE-SB 10-072-78

FIG. ITEM	PART NUMBER	1234567 	NOMENCLATURE	EFFECT FROM TO	UNITS PER ASSY	OBS
1B- 30A	OPT10 919500		...BASE ASSEMBLY WITHOUT OPTION OPT10 D851, OPT10 D856 VALID FOR REPAIR RPLS OPT10 914700		1	
40	TB21-40-01-01		..HEAT EXCHANGER WITHOUT OPTION OPT10 D851, OPT10 D856		1	
50	TB10 56006102		.L.H. FRONT PIPE RPLD BY TB10 56006003		1	NP
60	TB10 56006103		.L.H. PIPE RPLD BY TB10 56006004		1	OR
70	TB10 56006104		.R.H. FRONT PIPE RPLD BY TB10 56006005		1	OR
80	TB10 56006105		.R.H. REAR PIPE RPLD BY TB10 56006006		1	OR
90	TB10 56006001		.FLANGE ASSY		4	
100	7423254021		.GASKET V80254 OPT TO 65321 MADE BY V80254 ATTACHING PARTS		4	NP
110	TB10 56008000		.CLAMP ASSY RPLD BY TB10 56008001		8	NP
-110A	TB10 56008001		.CLAMP ASSY RPLS TB10 56008000		8	
120	TB10 56015100		.BOLT		8	
130	TB10 09001151		.SPACER		8	
140	5303974300		.NUT * * *		16	NP

- ITEM NOT ILLUSTRATED

78-00-00

FIG. 1B

PAGE 2 R

NOV 30/18

S/N 1053, 1307, 1308, 1325, 1355, 1376, 1425, 1445 - 1475, 1477 - 1619, PRE-SB 10-72-78 ; S/N 1 - 1052, 1054 - 1306, 1309 - 1324, 1326 - 1354, 1356 - 1375, 1377 - 1424, 1426 - 1444, 1476, POST-SB 10-019-78, SB 10-062-78 AND PRE-SB 10-072-78

PAGE INTENTIONALLY BLANK

78-00-00

FIG. 1B
PAGE 3 R

NOV 30/18
S/N 1053, 1307, 1308, 1325, 1355, 1376, 1425, 1445 - 1475, 1477 - 1619, PRE-SB 10-72-78 ; S/N 1 - 1052, 1054 - 1306, 1309 - 1324, 1326 - 1354, 1356 - 1375, 1377 - 1424, 1426 - 1444, 1476, POST-SB 10-019-78, SB 10-062-78 AND PRE-SB 10-072-78

FIG.ITEM	PART NUMBER	1234567 	NOMENCLATURE	EFFECT FROM TO	UNITS PER ASSY	OBS
1C- 1 10	TF78-00-00-01C-001 TB09 56002002		EXHAUST .EXCHANGER / EXHAUST PIPE ASSY WITHOUT OPTION OPT10 D851, OPT10 D856 WITH OPTION OPT10 A890, SHORTEN EXHAUST OUTLET TUBE TO REQUIRED LENGTH RPLD BY TB09 5602400100		RF 1	OR
- 10A	TB09 56002004		.EXCHANGER / EXHAUST PIPE ASSY WITHOUT OPTION OPT10 D851, OPT10 D856 WITH OPTION OPT10 A890, SHORTEN EXHAUST OUTLET TUBE TO REQUIRED LENGTH RPLS TB09 56002002 RPLD BY TB09 5602400100		1	OR
- 10B	TB09 56014001		.EXCHANGER / EXHAUST PIPE ASSY S/N 1 - 1599 WITH OPTION OPT10 A890, SHORTEN EXHAUST OUTLET TUBE TO REQUIRED LENGTH RPLS TB09 56002004 RPLD BY TB09 5602400100		1	OR
- 10C	TB09 56014003		.EXCHANGER / EXHAUST PIPE ASSY WITHOUT OPTION OPT10 D851, OPT10 D856 WITH OPTION OPT10 A890, SHORTEN EXHAUST OUTLET TUBE TO REQUIRED LENGTH RPLS TB09 56014001 RPLD BY TB09 5602400100		1	OR
20	TB10 56012001		..EXHAUST PIPE WITHOUT OPTION OPT10 D851, OPT10 D856 WITH OPTION OPT10 A890, SHORTEN EXHAUST OUTLET TUBE TO REQUIRED LENGTH FOR EXCHANGER ASSEMBLY INSTRUCTION WHEN REPLACING BY A TB10 5602500000 PIPE, ORDER DRAWING TB10 96035 AT THE LATEST INDEX RPLD BY TB10 5602500000		1	OR

- ITEM NOT ILLUSTRATED

78-00-00

FIG. 1C

PAGE 1 R

NOV 30/18

FIG. ITEM	PART NUMBER	1234567 	NOMENCLATURE	EFFECT FROM TO	UNITS PER ASSY	OBS
1C- 20A	TB10 56012008R		..EXHAUST PIPE WITHOUT OPTION OPT10 D851, OPT10 D856 WITH OPTION OPT10 A890, SHORTEN EXHAUST OUTLET TUBE TO REQUIRED LENGTH FOR EXCHANGER ASSEMBLY INSTRUCTION WHEN REPLACING BY A TB10 5602500000 PIPE, ORDER DRAWING TB10 96035 AT THE LATEST INDEX RPLS TB10 56012001 RPLD BY TB10 5602500000		1	OR
- 20B	TB10 56014001		..EXHAUST PIPE S/N 1 - 1599 WITHOUT OPT10 D851, OPT10 D856 NOISE REDUCTION OPTION WITH OPTION OPT10 A890, SHORTEN EXHAUST OUTLET TUBE TO REQUIRED LENGTH FOR EXCHANGER ASSEMBLY INSTRUCTION WHEN REPLACING BY A TB10 5602500000 PIPE, ORDER DRAWING TB10 96035 AT THE LATEST INDEX RPLS TB10 56012008R RPLD BY TB10 5602500000		1	OR
- 20C	TB10 56014008		..EXHAUST PIPE NOT VALID WITH OPT10 A890 OPTION WITH OPTION OPT10 A890, SHORTEN EXHAUST OUTLET TUBE TO REQUIRED LENGTH FOR EXCHANGER ASSEMBLY INSTRUCTION WHEN REPLACING BY A TB10 5602500000 PIPE, ORDER DRAWING TB10 96035 AT THE LATEST INDEX RPLS TB10 56014001 RPLD BY TB10 5602500000		1	OR

- ITEM NOT ILLUSTRATED

78-00-00

FIG. 1C

PAGE 2 R

NOV 30/18

FIG.ITEM	PART NUMBER	1234567 	NOMENCLATURE	EFFECT FROM TO	UNITS PER ASSY	OBS
1C- 20D	TB10 56810000		..EXHAUST PIPE WITH OPT10 A890 OPTION AND WITHOUT OPT10 D851, D856 NOISE REDUCTION OPTION WITH OPTION OPT10 A890, SHORTEN EXHAUST OUTLET TUBE TO REQUIRED LENGTH FOR EXCHANGER ASSEMBLY INSTRUCTION WHEN REPLACING BY A TB10 5602500000 PIPE, ORDER DRAWING TB10 96035 AT THE LATEST INDEX RPLD BY TB10 5602500000		1	
30	OPT10 914700		...BASE ASSEMBLY WITHOUT OPTION OPT10 D851, OPT10 D856 VALID FOR REPAIR RPLD BY OPT10 919500		1	NP
- 30A	OPT10 919500		...BASE ASSEMBLY WITHOUT OPTION OPT10 D851, OPT10 D856 VALID FOR REPAIR RPLS OPT10 914700		1	
40	TB21-40-01-01		..HEAT EXCHANGER		1	
50	TB10 56006102		.L.H. FRONT PIPE S/N 1620 - 1700 RPLD BY TB10 56006003		1	NP
- 50A	TB10 56006003		.L.H. FRONT PIPE RPLS TB10 56006102		1	
60	TB10 56006103		.L.H. PIPE S/N 1620 - 1700 RPLD BY TB10 56006004		1	OR
- 60A	TB10 56006004		.L.H. PIPE RPLS TB10 56006103		1	
70	TB10 56006104		.R.H. FRONT PIPE S/N 1620 - 1700 RPLD BY TB10 56006005		1	OR
- 70A	TB10 56006005		.FRONT PIPE RPLS TB10 56006104		1	
80	TB10 56006105		.R.H. REAR PIPE S/N 1620 - 1700 RPLD BY TB10 56006006		1	OR
- 80A	TB10 56006006		.R.H. REAR PIPE RPLS TB10 56006105		1	OR
90	TB10 56006001		.FLANGE ASSY		4	

- ITEM NOT ILLUSTRATED

78-00-00

FIG. 1C

PAGE 3 R

NOV 30/18

FIG.ITEM	PART NUMBER	1234567 	NOMENCLATURE	EFFECT FROM TO	UNITS PER ASSY	OBS
1C-100	7423254046		.GASKET V80254 OPT TO 75118 PIPE ECHAPPEMENT MADE BY V80254 S/N 1 - 1787 RPLD BY 7423257611		8	NP
100A	7423257611		.GASKET V80254 OPT TO 77611 MADE BY V80254 RPLS 7423254046 ATTACHING PARTS		4	
110	TB10 56008000		.CLAMP ASSY S/N 1 - 1779 RPLD BY TB10 56008001		8	NP
-110A	TB10 56008001		.CLAMP ASSY RPLS TB10 56008000		8	
120	TB10 56015100		.BOLT		8	
130	TB10 09001151		.SPACER		8	
140	5412512060		.NUT		8	
150	6092507251		.NUT V80254 OPT TO STD2043 MADE BY V80254 * * *		8	

- ITEM NOT ILLUSTRATED

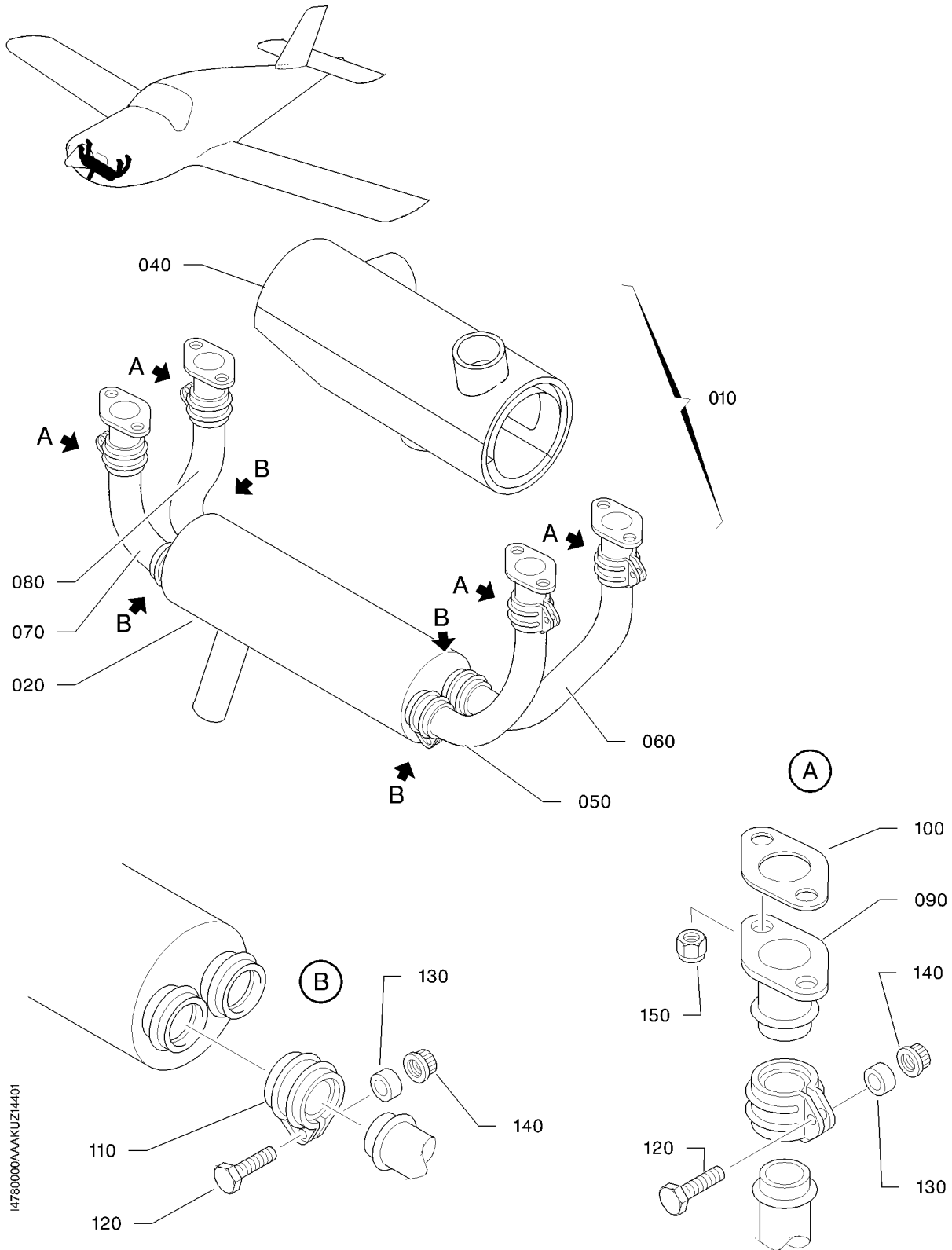
78-00-00

FIG. 1C

PAGE 4 R

NOV 30/18

PAGE INTENTIONALLY BLANK



14780000AAA KUZ14401

EXHAUST
FIGURE 1D

78-00-00

FIG. 1D

PAGE 0 R

NOV 30/18

FIG.ITEM	PART NUMBER	NOMENCLATURE	EFFECT FROM TO	UNITS PER ASSY	OBS
		1234567 			
1D- 1	TF78-00-00-01D-001	EXHAUST		RF	
10	TB09 5602400100	.EXCHANGER / EXHAUST PIPE ASSY WITHOUT OPTION OPT10 A890, OPT10 D851, OPT10 D856 POST-SB 10-111-78 (OPTION OPT10 A890), SHORTEN EXHAUST OUTLET TUBE TO REQUIRED LENGTH		1	
20	TB10 5602500000	..EXHAUST PIPE WITHOUT OPTION OPT10 A890, OPT10 D851, OPT10 D856 POST-SB 10-111-78 (OPTION OPT10 A890), SHORTEN EXHAUST OUTLET TUBE TO REQUIRED LENGTH		1	
40	TB21-40-01-01	..HEAT EXCHANGER		1	
50	TB10 56006003	.L.H. FRONT PIPE		1	
60	TB10 56006004	.L.H. PIPE		1	
70	TB10 56006005	.FRONT PIPE		1	
80	TB10 56006006	.R.H. REAR PIPE		1	OR
90	TB10 56006001	.FLANGE ASSY		4	
100	7423257611	.GASKET V80254 OPT TO 77611 MADE BY V80254 ATTACHING PARTS		4	
110	TB10 56008001	.CLAMP ASSY		8	
120	TB10 56015100	.BOLT		8	
130	TB10 09001151	.SPACER		8	
140	5412512060	.NUT		8	
150	6092507251	.NUT V80254 OPT TO STD2043 MADE BY V80254 * * *		8	

- ITEM NOT ILLUSTRATED

78-00-00

FIG. 1D

PAGE 1 R

NOV 30/18

S/N 1864 - 9999

PAGE INTENTIONALLY BLANK