

79

LUBRICATION

CHAPTER 79
LUBRICATION
LIST OF EFFECTIVE PAGES

CH-SECT	UNIT-FIG	PAGE	DATE	CH-SECT	UNIT-FIG	PAGE	DATE
LEP		1 *	NOV 30/18				
LEP		2 *	NOV 30/18				
TOC		1 *	NOV 30/18				
TOC		2 *	NOV 30/18				
TOC		3 *	NOV 30/18				
TOC		4 *	NOV 30/18				
TOC		5 *	NOV 30/18				
79-00-00	1	0 *	NOV 30/18				
79-00-00	1	1 *	NOV 30/18				
79-10-00	1	0 *	NOV 30/18				
79-10-00	1	1 *	NOV 30/18				
79-20-00	1	0 *	NOV 30/18				
79-20-00	1	1 *	NOV 30/18				
79-20-00	1A	0 *	NOV 30/18				
79-20-00	1A	1 *	NOV 30/18				
79-20-00	1B	0 *	NOV 30/18				
79-20-00	1B	1 *	NOV 30/18				
79-20-00	2	0 *	NOV 30/18				
79-20-00	2	1 *	NOV 30/18				
79-20-00	2A	0 *	NOV 30/18				
79-20-00	2A	1 *	NOV 30/18				
79-30-00	1	0 *	NOV 30/18				
79-30-00	1	1 *	NOV 30/18				
79-30-00	1A	0 *	NOV 30/18				
79-30-00	1A	1 *	NOV 30/18				
79-30-00	1A	2 *	NOV 30/18				
79-30-00	1A	3 *	NOV 30/18				
79-30-00	1B	0 *	NOV 30/18				
79-30-00	1B	1 *	NOV 30/18				
79-30-00	1C	0 *	NOV 30/18				
79-30-00	1C	1 *	NOV 30/18				
79-30-00	1C	2 *	NOV 30/18				

* THE ASTERISK INDICATES PAGES CHANGED, ADDED OR DELETED

79 - LIST OF EFFECTIVE PAGES

PAGE 1

PAGE INTENTIONALLY BLANK

79 - LIST OF EFFECTIVE PAGES

PAGE 2

NOV 30/18

CHAPTER 79
LUBRICATION
TABLE OF CONTENTS

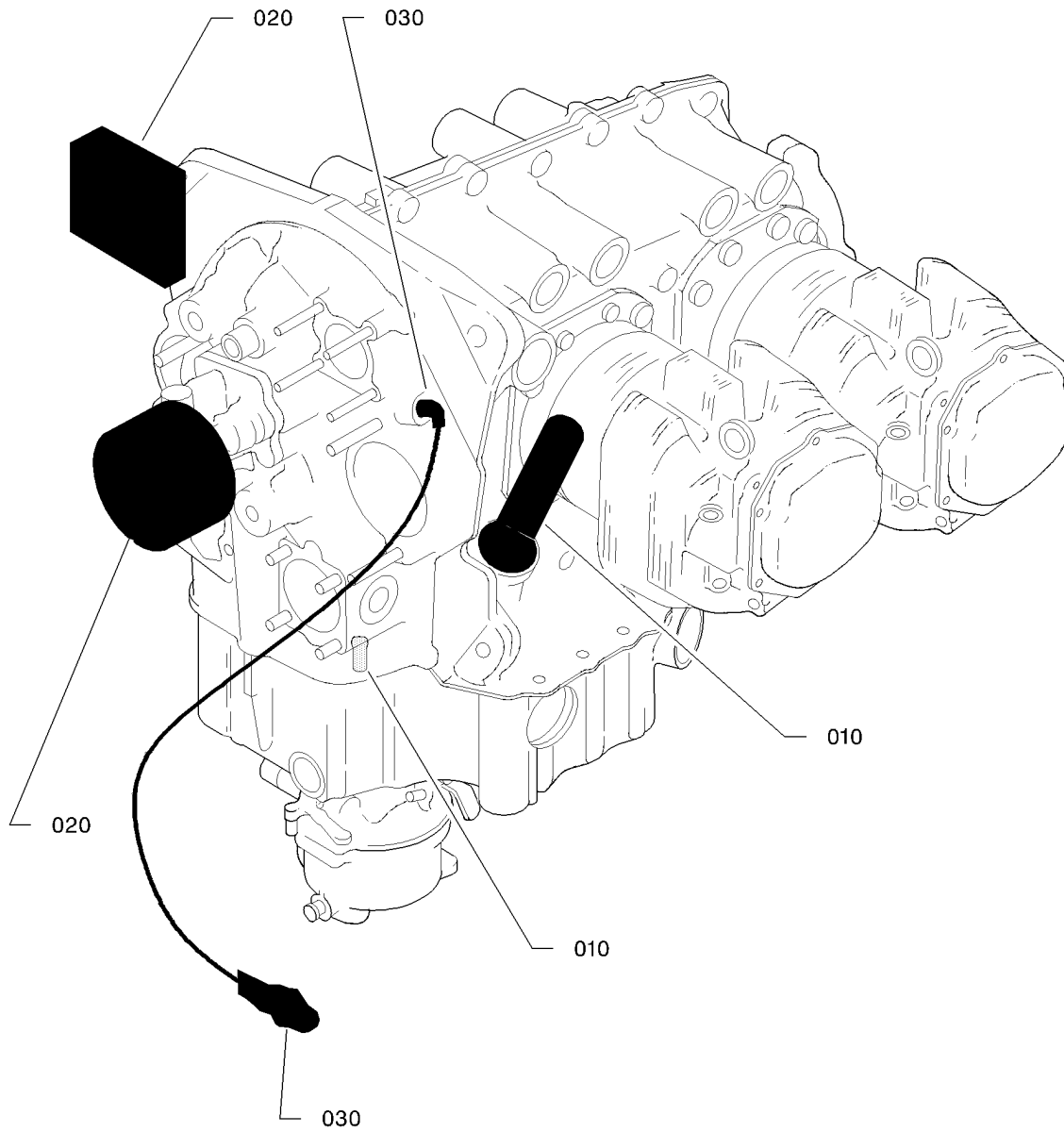
SUBJECT	CHAPTER SECTION SUBJECT	FIG.	VALIDITY
LUBRICATION	79-00		
LUBRICATION	79-00-00	1	S/N 1 - 9999

SUBJECT	CHAPTER SECTION FIG. SUBJECT	VALIDITY
STORAGE	79-10	
STORAGE	79-10-00 1	S/N 1 - 9999

SUBJECT	CHAPTER SECTION FIG. SUBJECT	VALIDITY
DISTRIBUTION	79-20	
DISTRIBUTION - OIL COOLER	79-20-00 1	S/N 1 - 1569 PRE-SL 10-031 (KIT OPT10 918400) AND PRE-KIT OPT10 923500
DISTRIBUTION - OIL COOLER	79-20-00 1A	S/N 1570 - 1822, 1824, 1825, 1827 - 1842, PRE-KIT OPT10 923500
DISTRIBUTION - OIL COOLER	79-20-00 1B	S/N 1823, 1826, 1843 - 9999 ; S/N 1 - 1822, 1824, 1825, 1827 - 1842, POST-KIT OPT10 923500
DISTRIBUTION - SYSTEM	79-20-00 2	S/N 1 - 1569 PRE-SL 10-031 (KIT OPT10 918400)
DISTRIBUTION - SYSTEM	79-20-00 2A	S/N 1570 - 9999 ; S/N 1 - 1569 POST-SL 10-031-79 (KIT OPT10 918400)

SUBJECT	CHAPTER SECTION FIG. SUBJECT	VALIDITY
INDICATION SYSTEM	79-30	
INDICATING SYSTEM	79-30-00 1	S/N 1 - 300 PRE-SL 10-031-79 (KIT OPT10 918400)
INDICATING SYSTEM	79-30-00 1A	S/N 301 - 968, 970 - 1184, 1186 - 1213, 1215 - 1477, 1479 - 1505, 1509 - 1512, PRE-SL 10-031-79 (KIT OPT10 918400)
INDICATING SYSTEM	79-30-00 1B	S/N 969, 1185, 1214, 1478, 1506 - 1508, 1513 - 1569, PRE-SL 10-031-79 (KIT OPT10 918400)
INDICATING SYSTEM	79-30-00 1C	S/N 1570 - 9999 ; S/N 1 - 1569 POST-SL 10-031-79 (KIT OPT10 918400)

PAGE INTENTIONALLY BLANK



I479000AAAAYZ14401

LUBRICATION
FIGURE 1

79-00-00

FIG. 1
PAGE 0 R

NOV 30/18

FIG.ITEM	PART NUMBER	NOMENCLATURE	EFFECT FROM TO	UNITS PER ASSY	OBS
1 - 1 10 20 30	TF79-00-00-01-001 TB79-10-00-01 TB79-20-00-01 TB79-30-00-01	<div style="text-align: center;"> 1234567 </div> LUBRICATION .STORAGE .DISTRIBUTION .INDICATING SYSTEM		RF 1 1 1	

- ITEM NOT ILLUSTRATED

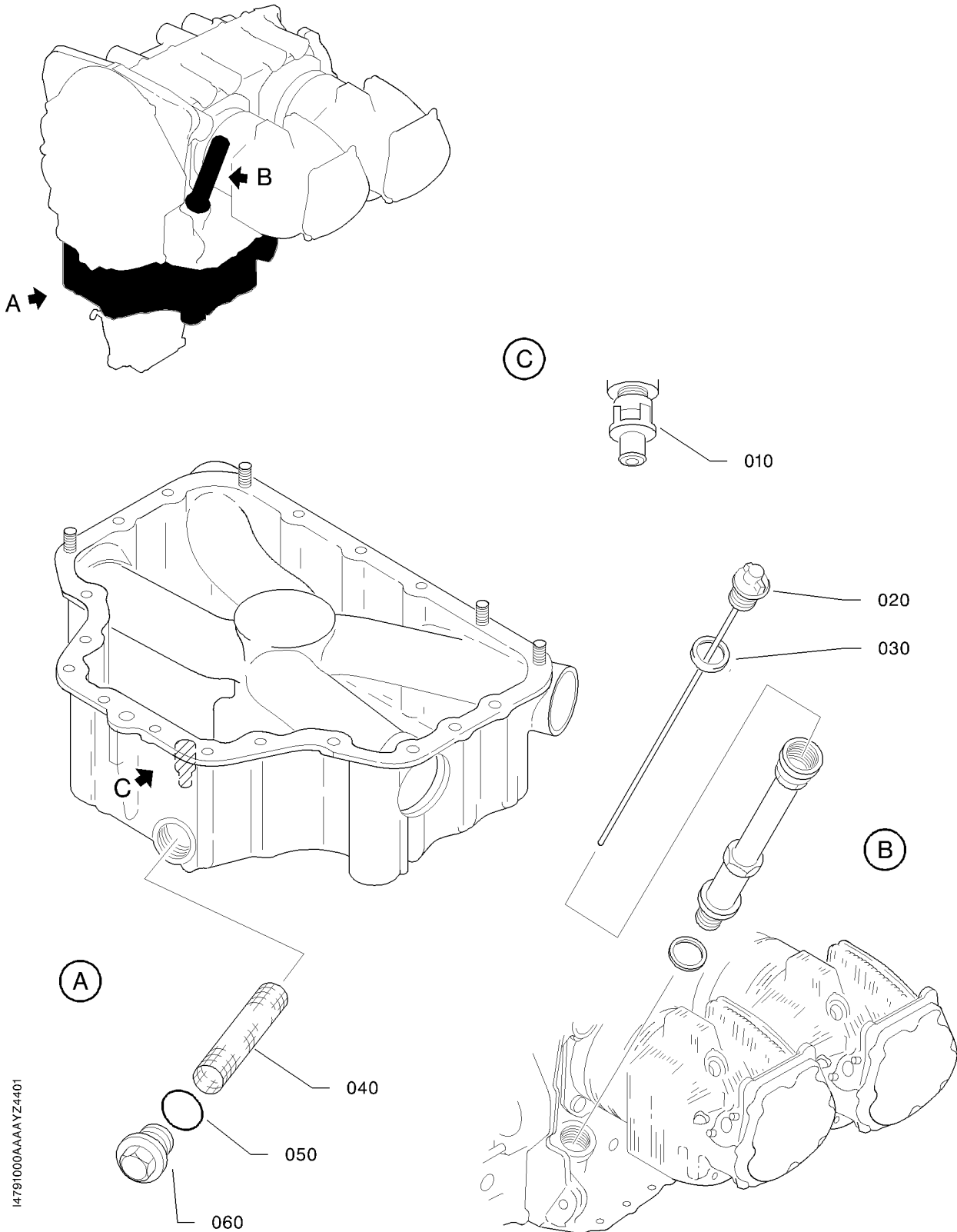
79-00-00

FIG. 1

PAGE 1 R

NOV 30/18

S/N 1 - 9999



14791000AAAYZ4401

STORAGE
FIGURE 1

79-10-00

FIG. 1
PAGE 0 R

NOV 30/18

FIG.ITEM	PART NUMBER	NOMENCLATURE		EFFECT FROM TO	UNITS PER ASSY	OBS
		1234567 				
1 - 1	TF79-10-00-01-001		STORAGE		RF	
10	7745011000		.QUICK DRAIN VALVE		1	
20			.GAGE V80254		1	
30	7423254011		.SEAL V80254		1	
			OPT TO 74068 MADE BY V80254			
40			.FILTER V80254		1	
50	7423254014		.SEAL V80254		1	
			OPT TO 111 MADE BY V80254			
60			.PLUG V80254		1	

- ITEM NOT ILLUSTRATED

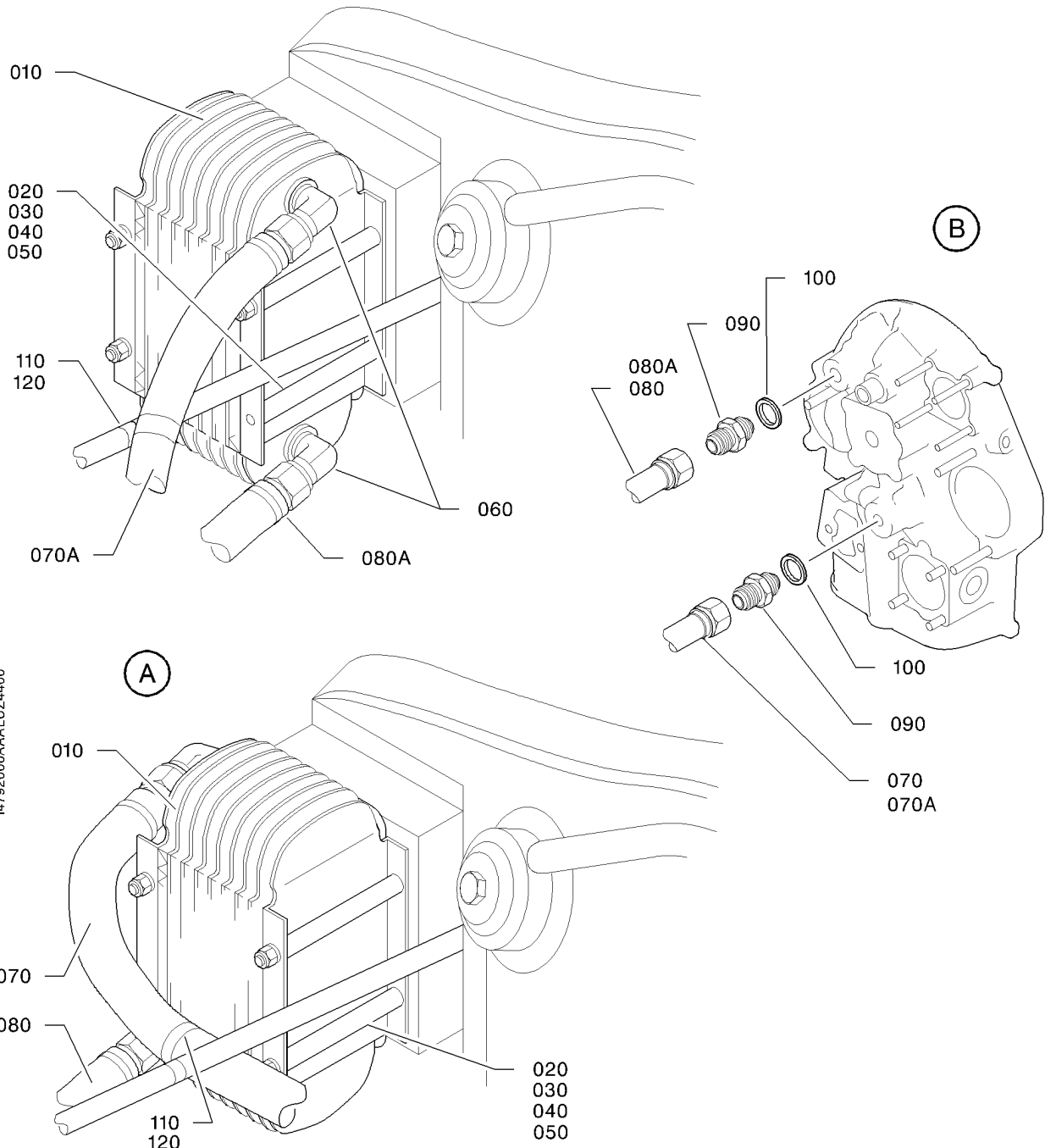
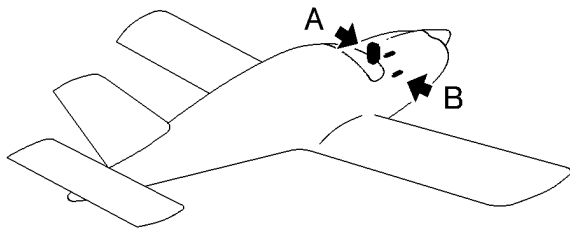
79-10-00

FIG. 1

PAGE 1 R

NOV 30/18

S/N 1 - 9999



14792000AAALUZ4400

DISTRIBUTION - OIL COOLER
FIGURE 1

79-20-00

FIG. 1
PAGE 0 R

NOV 30/18

FIG. ITEM	PART NUMBER	NOMENCLATURE	EFFECT FROM TO	UNITS PER ASSY	OBS
		1234567 			
1 - 1	TF79-20-00-01-001	DISTRIBUTION - OIL COOLER		RF	
10	6036357222	.OIL COOLER RPLD BY 6055357220		1	OR
- 10A	6055357220	.OIL COOLER RPLS 6036357222 ATTACHING PARTS		1	
20	TB30 09066100	.THREADED ROD		4	
30	TB10 53015104	.SPACER		4	
40	5706039240	.WASHER OPT TO 23116AD050L MADE BY VF0111		8	R
50	5401458239	.NUT OPT TO E25412B50QQVAL MADE BY VF0110		8	R
60	7730061599	.90 ELBOW OPT TO AN822-8 MADE BY V88044		2	
70	TB10 53016100	.HOSE S/N 1 - 297		1	
70A	TB09 53016100	.HOSE S/N 298 - 1569		1	
80	TB10 53016100	.HOSE S/N 1 - 297		1	
80A	TB10 53016106	.HOSE S/N 298 - 1569		1	
90	7730060016	.UNION OPT TO MS24399-16 MADE BY V96906		2	
100	7423060510	.O-RING V96906 OPT TO MS29512-10 MADE BY V96906		2	
110	4812412406	.STRAP		AR	
120	7016790000	.ATTACHMENT RING VF0331 OPT TO ALPHA NOIR L=6 111-003 MADE BY VF0331		AR	

- ITEM NOT ILLUSTRATED

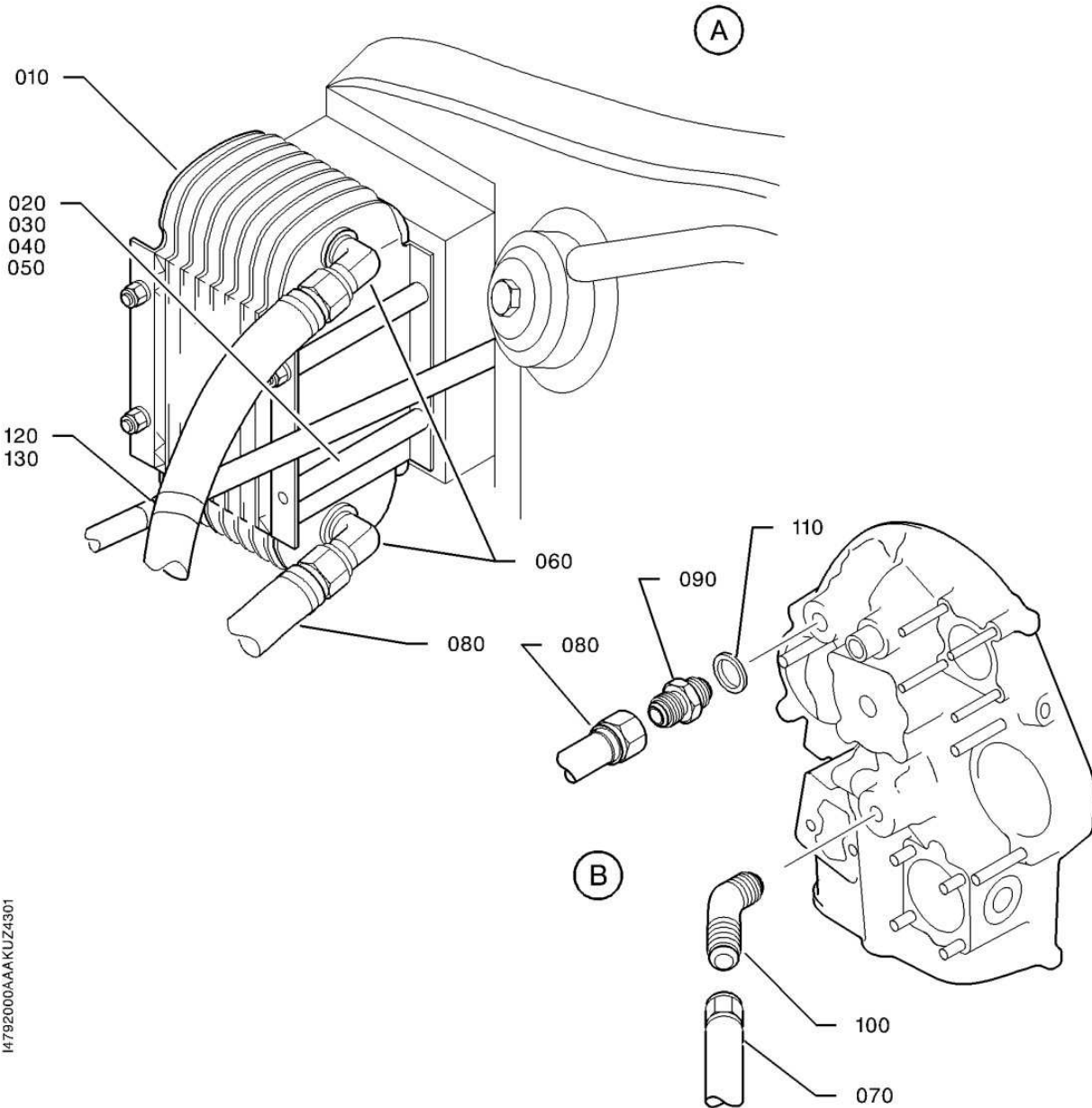
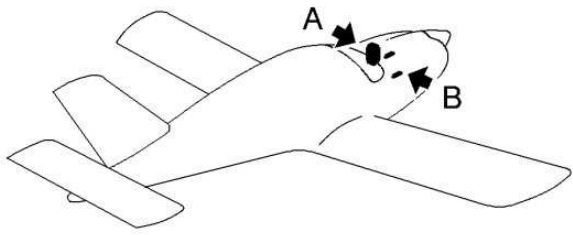
79-20-00

FIG. 1

PAGE 1

NOV 30/18

S/N 1 - 1569 PRE-SL 10-031 (KIT OPT10 918400) AND PRE-KIT OPT10 923500



M792000AAA KUZ4301

DISTRIBUTION - OIL COOLER
FIGURE 1A

79-20-00

FIG. 1A

PAGE 0 R

NOV 30/18

FIG.ITEM	PART NUMBER	1234567 	NOMENCLATURE	EFFECT FROM TO	UNITS PER ASSY	OBS
1A- 1	TF79-20-00-01A-001		DISTRIBUTION - OIL COOLER		RF	
10	6036357222		.OIL COOLER RPLD BY 6055357220		1	OR
- 10A	6055357220		.OIL COOLER RPLS 6036357222 ATTACHING PARTS		1	
20	TB30 09066100		.THREADED ROD		4	
30	TB10 53015104		.SPACER		4	
40	5706039240		.WASHER OPT TO 23116AD050L MADE BY VF0111		8	R
50	5401458239		.NUT OPT TO E25412B50QQVAL MADE BY VF0110		8	R
60	7730061599		.90 ELBOW OPT TO AN822-8 MADE BY V88044		2	
70	TB10 53016106		.HOSE		1	
80	TB09 53016100		.HOSE		1	
90	7730060016		.UNION OPT TO MS24399-16 MADE BY V96906		1	
90A	7730061326		.DELETED			R
100	7730061326		.45 ELBOW OPT TO AN823-8 MADE BY V88044 SUPSD BY 7730030067		1	R
-100A	7730030067		.45 ELBOW SUPSDS 7730061326		1	R
110	7423060510		.O-RING OPT TO MS29512-10 MADE BY V96906		1	R
120	4812412406		.STRAP		AR	R
130	7016790000		.ATTACHMENT RING OPT TO ALPHA NOIR L=6 111-003 MADE BY VF0331		AR	R

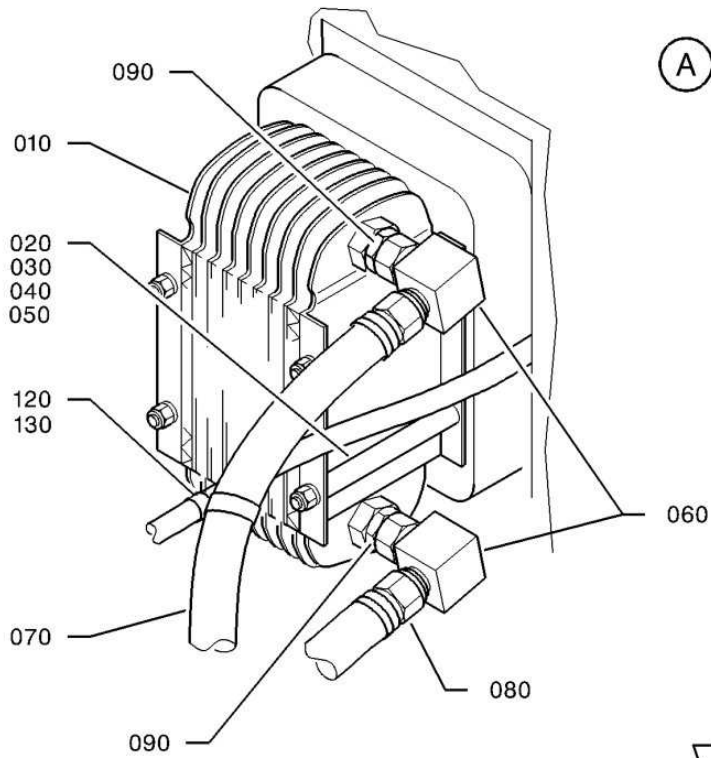
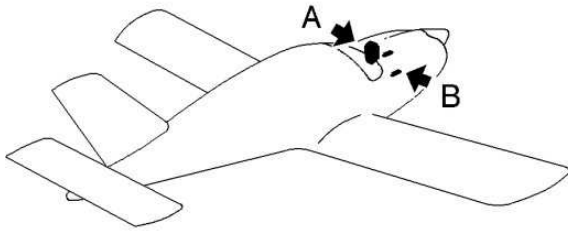
- ITEM NOT ILLUSTRATED

79-20-00

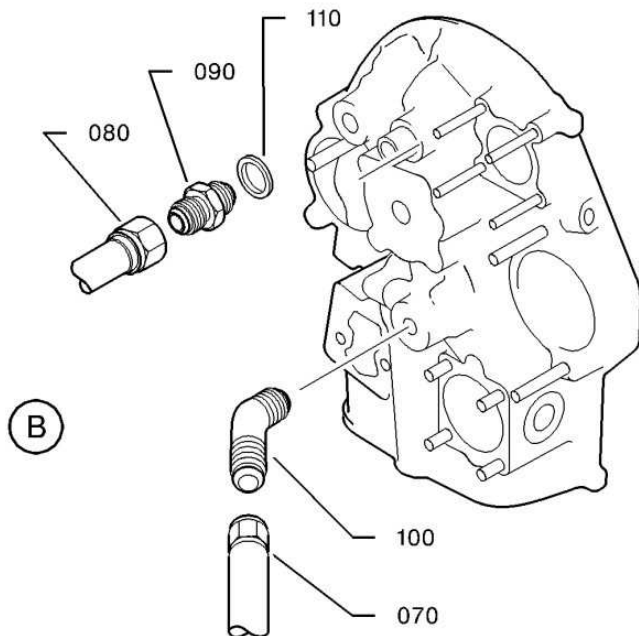
FIG. 1A

PAGE 1

NOV 30/18



(A)



(B)

DISTRIBUTION - OIL COOLER
FIGURE 1B

79-20-00

FIG. 1B

PAGE 0 R

NOV 30/18

S/N 1823, 1826, 1843 - 9999 ; S/N 1 - 1822, 1824, 1825, 1827 - 1842, POST-KIT OPT10
923500

14792000AAKUZ4401

FIG.ITEM	PART NUMBER	1234567 	NOMENCLATURE	EFFECT FROM TO	UNITS PER ASSY	OBS
1B- 1	TF79-20-00-01B-001		DISTRIBUTION - OIL COOLER		RF	
10	6055357220		.OIL COOLER		1	
			ATTACHING PARTS			
20	TB30 09066100		.THREADED ROD		4	
30	TB10 53015104		.SPACER		4	
40	5706039240		.WASHER		8	R
			OPT TO 23116AD050L MADE BY VF0111			
50	5414468239		.NUT		8	R
			OPT TO 5PH135M MADE BY VF0224			
			* * *			
60	7730070305		.90 ELBOW		2	R
			OPT TO 2071-8-8S MADE BY VF6275			
70	TB10 53016000		.HOSE		1	
			VARIANT			
- 70A	TB10 53030102		.HOSE		1	
			VARIANT			
80	TB09 53016000		.HOSE		1	
			VARIANT			
- 80A	TB10 53030100		.HOSE		1	
			VARIANT			
90	7730061325		.UNION		3	
			OPT TO AN816-8 MADE BY V88044			
90A	7730061326		.DELETED			R
100	7730061326		.45 ELBOW		1	R
			OPT TO AN823-8 MADE BY V88044			
			SUPSD BY 7730030067			
-100A	7730030067		.45 ELBOW		1	R
			SUPSDS 7730061326			
110	7423060510		.O-RING		1	R
			OPT TO MS29512-10 MADE BY V96906			
120	4812412406		.STRAP		AR	R
130	7016790000		.ATTACHMENT RING		AR	R
			OPT TO ALPHA NOIR L=6 111-003 MADE BY VF0331			

- ITEM NOT ILLUSTRATED

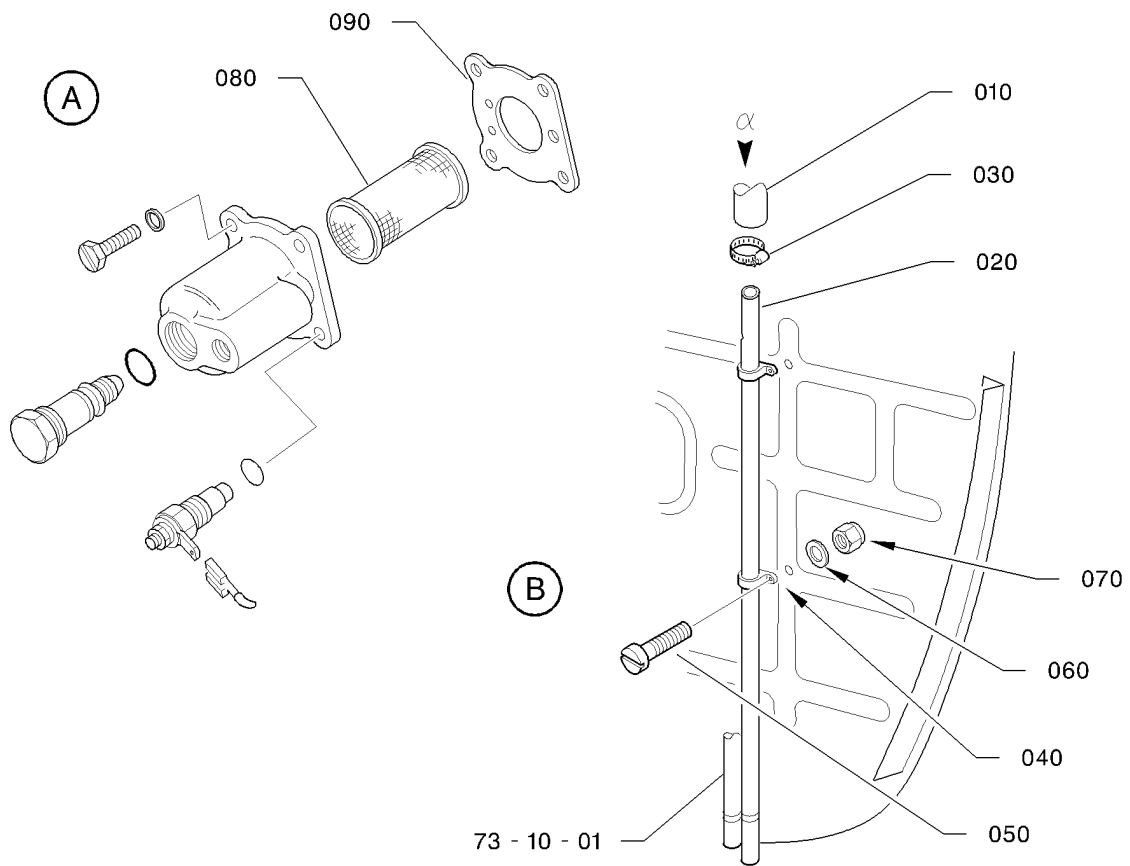
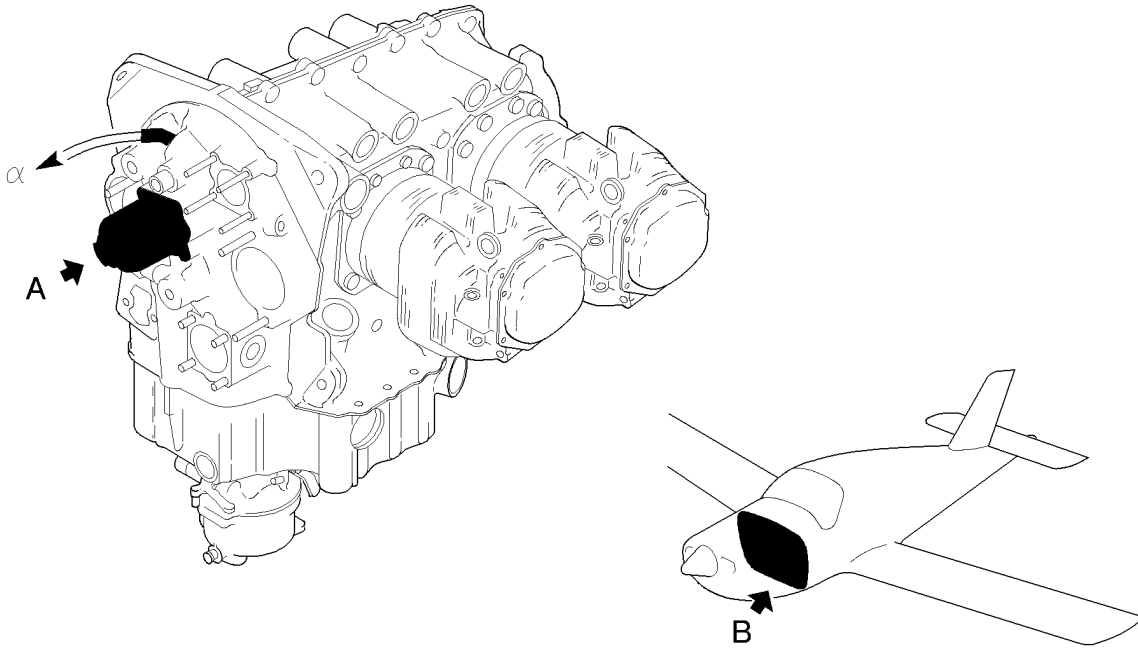
79-20-00

FIG. 1B

PAGE 1

NOV 30/18

S/N 1823, 1826, 1843 - 9999 ; S/N 1 - 1822, 1824, 1825, 1827 - 1842, POST-KIT OPT10
923500



I4792000AAALUZ4500

DISTRIBUTION - SYSTEM
FIGURE 2

79-20-00

FIG. 2
PAGE 0 R
NOV 30/18

FIG. ITEM	PART NUMBER	1234567 	NOMENCLATURE	EFFECT FROM TO	UNITS PER ASSY	OBS
2 - 1	TF79-20-00-02-001		DISTRIBUTION - SYSTEM		RF	
10	TB10 53013100		.HOSE		1	
20	TB10 53013101		.PIPE		1	
			ATTACHING PARTS			
30	7141323020		.CLAMP OPT TO SX 8 PLUS 18-28 MADE BY VF2560		2	R
40	7141060220		.CLAMP OPT TO AN742D11 MADE BY V88044		2	
50	5111943078		.SCREW OPT TO E27116C40Q12AGUL MADE BY VF0110		2	R
60	5701039160		.WASHER OPT TO NFL23111AD040L MADE BY VF0111		2	R
70	5401458159		.NUT OPT TO E25412B40QQVAL MADE BY VF0110 PRE-MOD. 107 SUPSD BY 5414468159		2	R
- 70A	5414468159		.NUT OPT TO 4PH135M MADE BY VF0224 PRE-MOD. 107 SUPSDS 5401458159		2	R
- 70B	5431465159		.ANCHOR NUT, ONE LUG OPT TO 4AJ109M MADE BY VF0224 POST-MOD. 107		2	R
			* * *			
80	7117256217		.STRAINER OPT TO 62817 MADE BY V80254		1	R
90	7423254007		.GASKET OPT TO 61173 MADE BY V80254		1	R

- ITEM NOT ILLUSTRATED

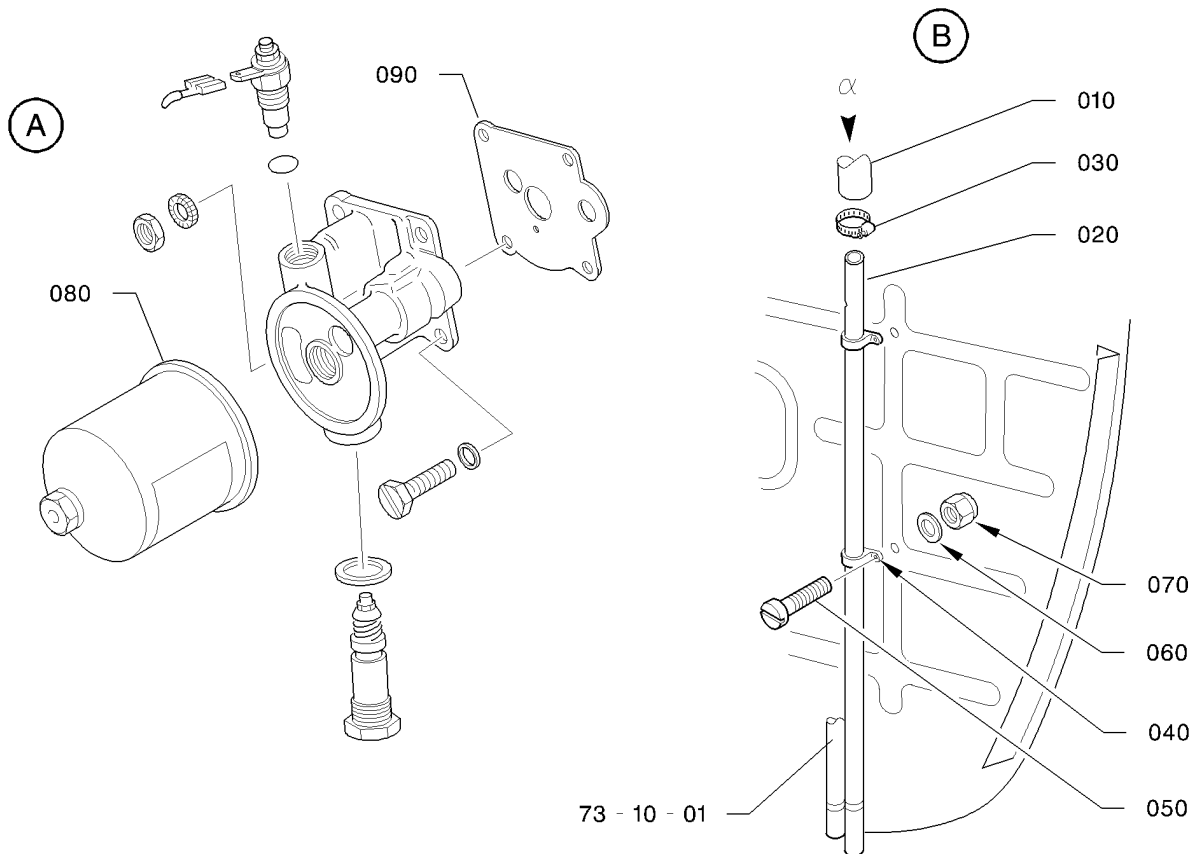
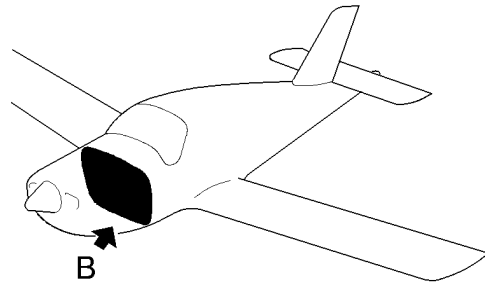
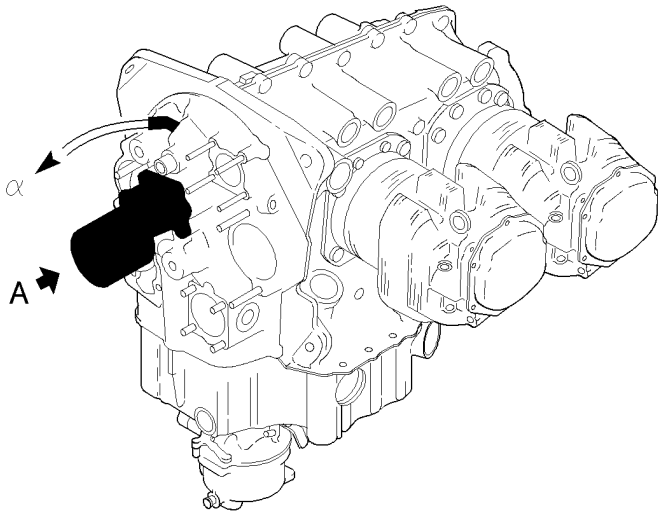
79-20-00

FIG. 2

PAGE 1

NOV 30/18

S/N 1 - 1569 PRE-SL 10-031 (KIT OPT10 918400)



14792000AALUZ4300

DISTRIBUTION - SYSTEM
FIGURE 2A

79-20-00

FIG. 2A

PAGE 0 R

NOV 30/18

FIG. ITEM	PART NUMBER	1234567 	NOMENCLATURE	EFFECT FROM TO	UNITS PER ASSY	OBS
2A- 1	TF79-20-00-02A-001		DISTRIBUTION - SYSTEM		RF	
10	TB10 53013100		.HOSE		1	
20	TB10 53013101		.PIPE		1	
			ATTACHING PARTS			
30	7141323020		.CLAMP OPT TO SX 8 PLUS 18-28 MADE BY VF2560		2	R
40	7141060220		.CLAMP OPT TO AN742D11 MADE BY V88044		2	
50	5111943078		.SCREW OPT TO E27116C40Q12AGUL MADE BY VF0110		2	R
60	5701039160		.WASHER OPT TO NFL23111AD040L MADE BY VF0111		2	R
70	5401458159		.NUT OPT TO E25412B40QQVAL MADE BY VF0110 PRE-MOD. 107 SUPSD BY 5414468159		2	R
- 70A	5414468159		.NUT OPT TO 4PH135M MADE BY VF0224 PRE-MOD. 107 SUPSDS 5401458159		2	R
- 70B	5431465159		.ANCHOR NUT, ONE LUG VF0224 OPT TO 4AJ109M MADE BY VF0224 POST-MOD. 107 * * *		2	R
80	7284253000		.FILTERING CARTRIDGE V80254 OPT TO CH48110 MADE BY V80254		1	
90	7423254095		.GASKET V80254 OPT TO LW 12795 MADE BY V80254		1	

- ITEM NOT ILLUSTRATED

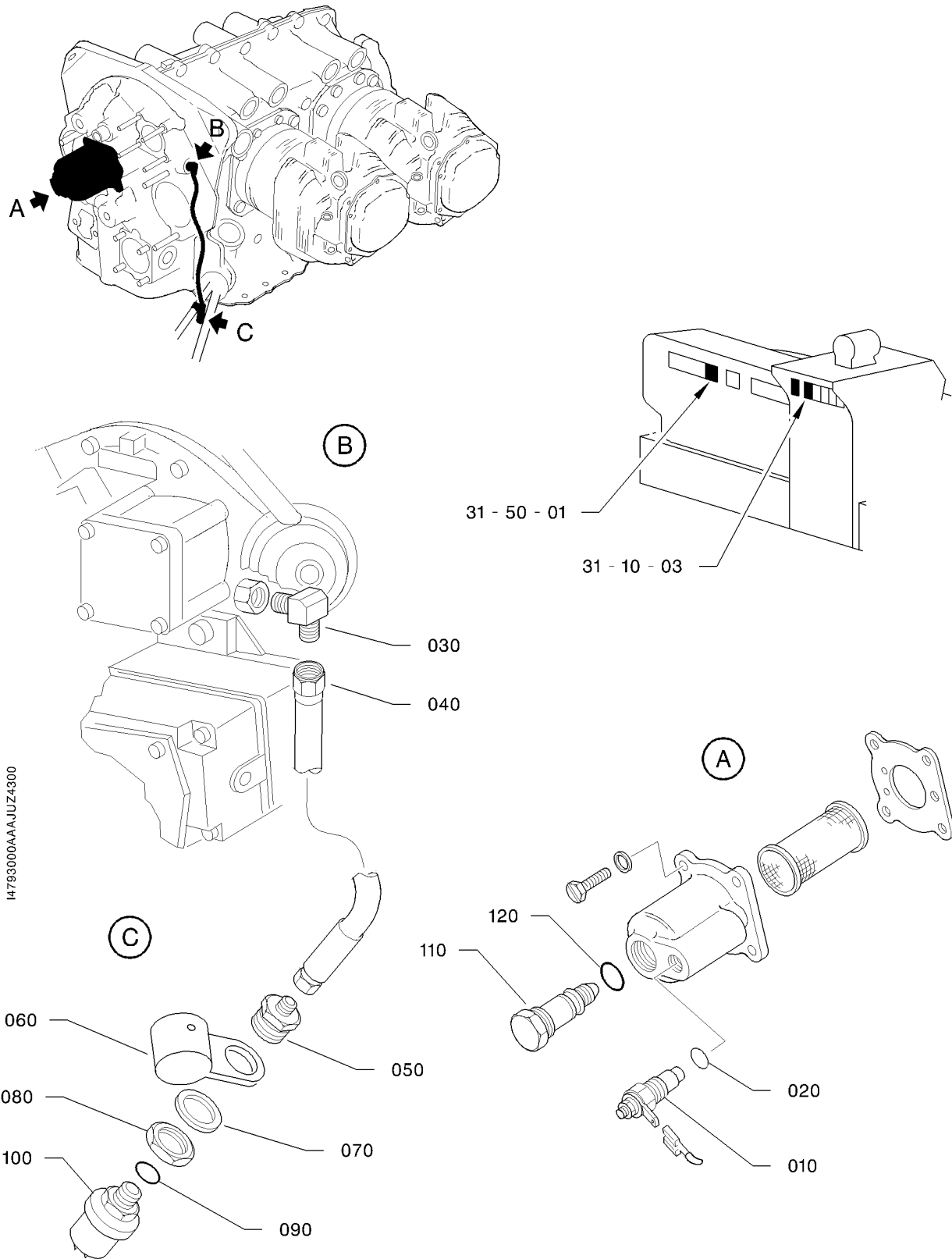
79-20-00

FIG. 2A

PAGE 1

NOV 30/18

S/N 1570 - 9999 ; S/N 1 - 1569 POST-SL 10-031-79 (KIT OPT10 918400)



INDICATING SYSTEM
FIGURE 1

79-30-00

FIG. 1
PAGE 0 R
NOV 30/18

FIG. ITEM	PART NUMBER	NOMENCLATURE		EFFECT FROM TO	UNITS PER ASSY	OBS
		1234567 				
1 - 1	TF79-30-00-01-001		INDICATING SYSTEM		RF	
10	7809510002		.TRANSMITTER RPLD BY 7778512750		1	OR
- 10A	7778512750		.TEMPERATURE PROBE RPLS 7809510002 RPLD BY 7778281901		1	OR
- 10B	7778281901		.TEMPERATURE PROBE RPLS 7778512750		1	OR
20	7423161012		.GASKET VF1190 OPT TO 16X21X1 ALU.NORME 46015 MADE BY VF1190		1	
30	TB09 53022100		.90 ELBOW		1	
40	TB10 52029000		.HOSE		1	
50	TB09 53021100		.UNION		1	
60	TB09 53024100		.CLAMP		1	
70	5718061550		.WASHER OPT TO NFE E27618G160 AJTL MADE BY VF0110		1	
80	5301904360		.NUT		1	
90	7423516902		.O-RING RPLD BY 7062561053		1	OR
- 90A	7062561053		.O-RING VF0229 RPLS 7423516902		1	
100	7809510005		.PRESSURE TRANSMITTER FOR TRANSMITTER INSTALLATION ON FIREWALL - SEE FIG. 1A, ORDER KIT OPT10 907100 RPLD BY 7809511250		1	OR R
-100A	7809511250		.PRESSURE TRANSMITTER RPLS 7809510005 RPLD BY 7809281901		1	OR
-100B	7809281901		.PRESSURE TRANSMITTER AFTER STOCK DEPLETION AS SPARES, ORDER 1 GROUNDING CABLE TB10 61071001 + 1 GASKET 7062561053 + 1 PRESSURE TRANSMITTER 6025647221 + II OPT10 9238-79 RPLS 7809511250		1	OR R
110	6092557284		.VALVE V80254 OPT TO 75944 MADE BY V80254		1	
120	7423254294		.GASKET V80254 OPT TO STD 294 MADE BY V80254		1	

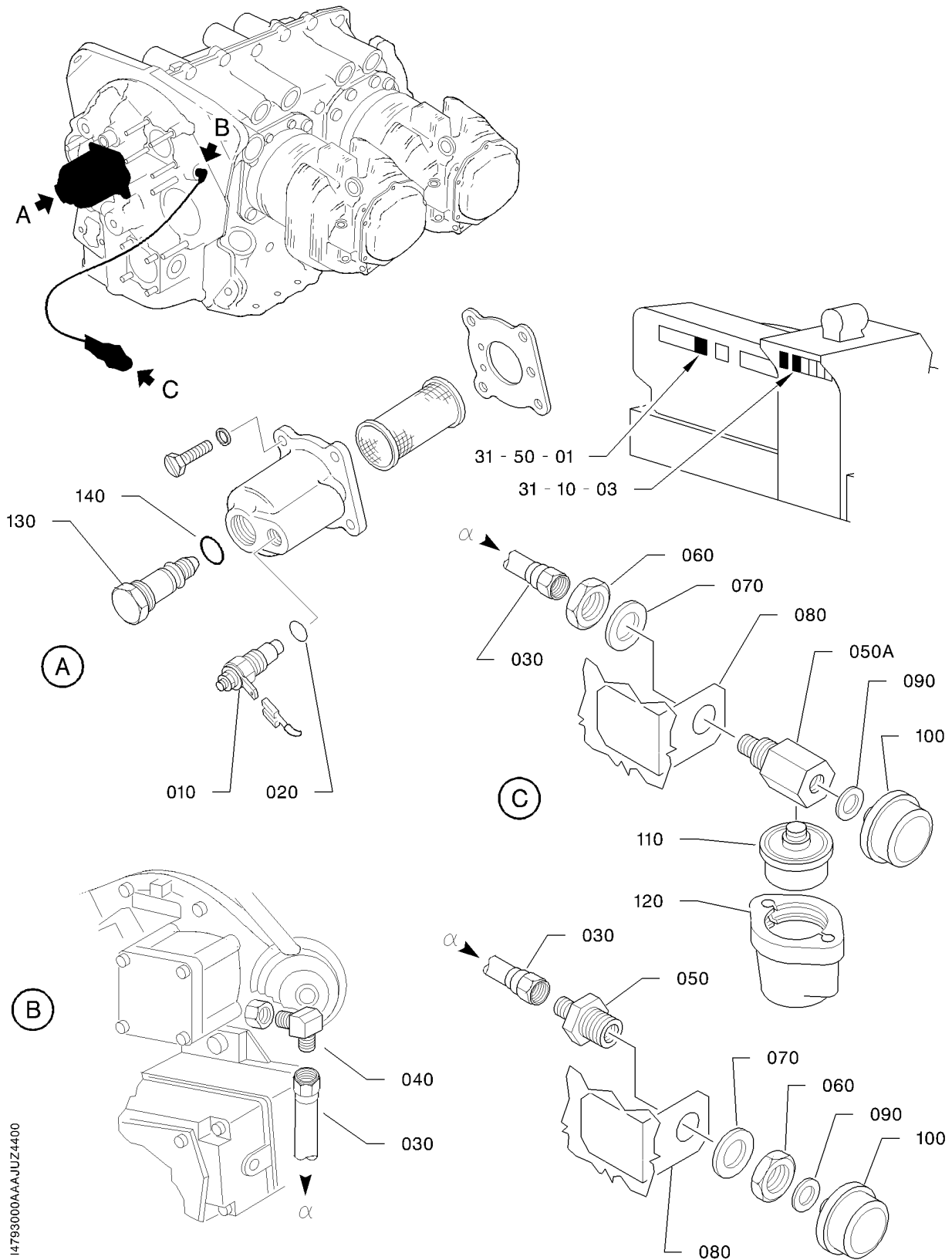
- ITEM NOT ILLUSTRATED

79-30-00

FIG. 1

PAGE 1

NOV 30/18



INDICATING SYSTEM
FIGURE 1A

79-30-00

FIG. 1A

PAGE 0 R

NOV 30/18

S/N 301 - 968, 970 - 1184, 1186 - 1213, 1215 - 1477, 1479 - 1505, 1509 - 1512, PRE-SL 10-031-79 (KIT OPT10 918400)

FIG.ITEM	PART NUMBER	NOMENCLATURE	EFFECT FROM TO	UNITS PER ASSY	OBS
		1234567 			
1A- 1	TF79-30-00-01A-001	INDICATING SYSTEM		RF	
10	7809510002	.TRANSMITTER RPLD BY 7778512750		1	OR
- 10A	7778512750	.TEMPERATURE PROBE RPLS 7809510002 RPLD BY 7778281901		1	OR
- 10B	7778281901	.TEMPERATURE PROBE RPLS 7778512750		1	OR
20	7423161012	.GASKET OPT TO 16X21X1 ALU.NORME 46015 MADE BY VF1190		1	R
30	TB10 53016103	.HOSE		1	
40	TB09 53022100	.90 ELBOW		1	
50	TB09 53021100	.UNION S/N 301 - 822, 850 - 887, 889 - 947		1	
50A	TB20 76815100	.UNION S/N 823 - 849, 888, 948 - 968, 970 - 1184, 1186 - 1213, 1215 - 1477, 1479 - 1505, 1509 - 1512		1	
60	5301904360	.NUT		1	
70	5718061550	.WASHER OPT TO NFE E27618G160 AJTL MADE BY VF0110		1	
80	TB10 23020160	.SUPPORT		1	
90	7423516902	.O-RING RPLD BY 7062561053		1	OR
- 90A	7062561053	.O-RING RPLS 7423516902		1	R
100	7809510005	.PRESSURE TRANSMITTER S/N 301 - 822 RPLD BY 7809511250		1	OR
-100A	7809511250	.PRESSURE TRANSMITTER RPLS 7809510005 RPLD BY 7809281901		1	OR
-100B	7809281901	.PRESSURE TRANSMITTER AFTER STOCK DEPLETION, AS SPARES, ORDER 1 GROUNDING CABLE TB10 61071001 + 1 GASKET 7062561053 + 1 PRESSURE TRANSMITTER 6025647221 + 2 CLIPS 7136801608 + II OPT10 9238-79 RPLS 7809511250		1	OR R

- ITEM NOT ILLUSTRATED

79-30-00

FIG. 1A
PAGE 1

NOV 30/18

S/N 301 - 968, 970 - 1184, 1186 - 1213, 1215 - 1477, 1479 - 1505, 1509 - 1512, PRE-SL 10-031-79 (KIT OPT10 918400)

FIG. ITEM	PART NUMBER	1234567 	NOMENCLATURE	EFFECT FROM TO	UNITS PER ASSY	OBS
1A 110	7126204013		.OIL PRESSURE SWITCH OPT TO M4013 MADE BY V74400 S/N 823 - 849, 888, 948 - 968, 970 - 1184, 1186 - 1213, 1215 - 1477, 1479 - 1505, 1509 - 1512 RPLD BY 6038057223		1	OR R
-110A	6038057223		.OIL PRESSURE SWITCH OPT TO 5000 MADE BY V74400 RPLS 7126204013		1	R
120	7510203321		.COVER OPT TO M3321 MADE BY V74400 S/N 823 - 849, 888, 948 - 968, 970 - 1184, 1186 - 1213, 1215 - 1477, 1479 - 1505, 1509 - 1512 SUPSD BY TB10 61210100		1	R
-120A	TB10 61210100		.COVER OPT TO M3321 MADE BY V74400 S/N 823 - 849, 888, 948 - 968, 970 - 1184, 1186 - 1213, 1215 - 1477, 1479 - 1505, 1509 - 1512 SUPSDS 7510203321		1	R
130	6092557284		.VALVE OPT TO 75944 MADE BY V80254		1	R
140	7423254294		.GASKET OPT TO STD 294 MADE BY V80254		1	R

- ITEM NOT ILLUSTRATED

79-30-00

FIG. 1A

PAGE 2

NOV 30/18

S/N 301 - 968, 970 - 1184, 1186 - 1213, 1215 - 1477, 1479 - 1505, 1509 - 1512, PRE-SL 10-031-79 (KIT OPT10 918400)

PAGE INTENTIONALLY BLANK

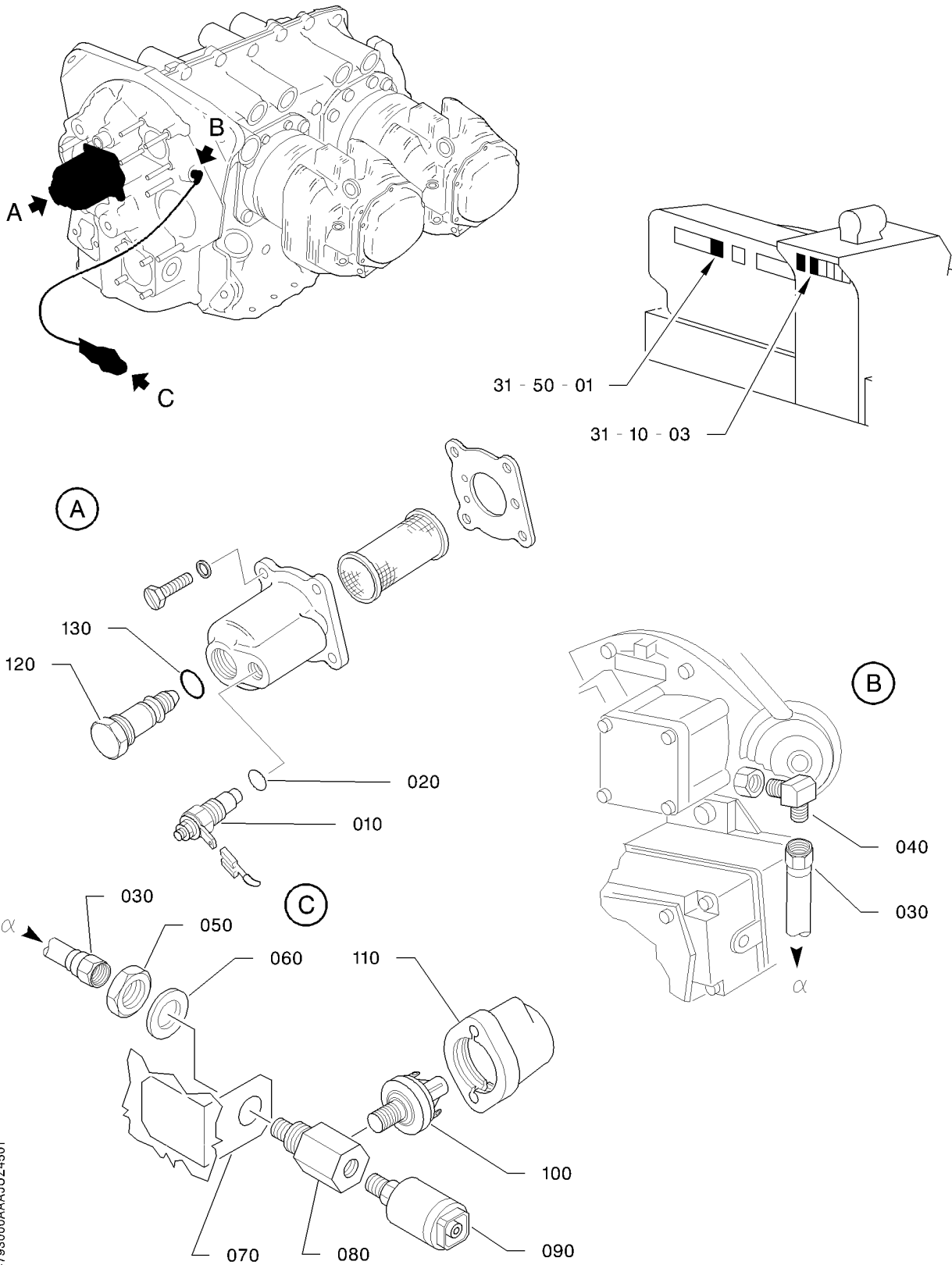
79-30-00

FIG. 1A

PAGE 3 R

NOV 30/18

S/N 301 - 968, 970 - 1184, 1186 - 1213, 1215 - 1477, 1479 - 1505, 1509 - 1512, PRE-SL 10-031-79 (KIT OPT10 918400)



INDICATING SYSTEM
FIGURE 1B

79-30-00

FIG. 1B

PAGE 0 R

NOV 30/18

S/N 969, 1185, 1214, 1478, 1506 - 1508, 1513 - 1569, PRE-SL 10-031-79 (KIT OPT10 918400)

FIG.ITEM	PART NUMBER	1234567 	NOMENCLATURE	EFFECT FROM TO	UNITS PER ASSY	OBS
1B- 1	TF79-30-00-01B-001		INDICATING SYSTEM		RF	
10	TB10 61230000		.TEMPERATURE PROBE		1	
20	7423062710		.GASKET OPT TO AN 900-10 MADE BY V88044 RPLD BY 7422065711		1	R
- 20A	7422065711		.GASKET OPT TO MS37769-11 MADE BY V96906 RPLS 7423062710		1	R
30	TB10 53016103		.HOSE		1	
40	TB09 53022100		.90 ELBOW		1	
50	5301904360		.NUT		1	
60	5718061550		.WASHER OPT TO NFE E27618G160 AJTL MADE BY VF0110		1	R
70	TB10 23020160		.SUPPORT		1	
80	TB10 53020100		.UNION		1	
90	7809170200		.PRESSURE TRANSMITTER FOR SB 10-129-79 APPLICATION, ORDER 1 KIT OPT10 927900		1	
100	6038057223		.OIL PRESSURE SWITCH OPT TO 5000 MADE BY V74400		1	R
110	7510203321		.COVER OPT TO M3321 MADE BY V74400 SUPSD BY TB10 61210100		1	R
-110A	TB10 61210100		.COVER OPT TO M3321 MADE BY V74400 SUPSDS 7510203321		1	R
120	6092557284		.VALVE OPT TO 75944 MADE BY V80254		1	R
130	7423254294		.GASKET OPT TO STD 294 MADE BY V80254		1	R

- ITEM NOT ILLUSTRATED

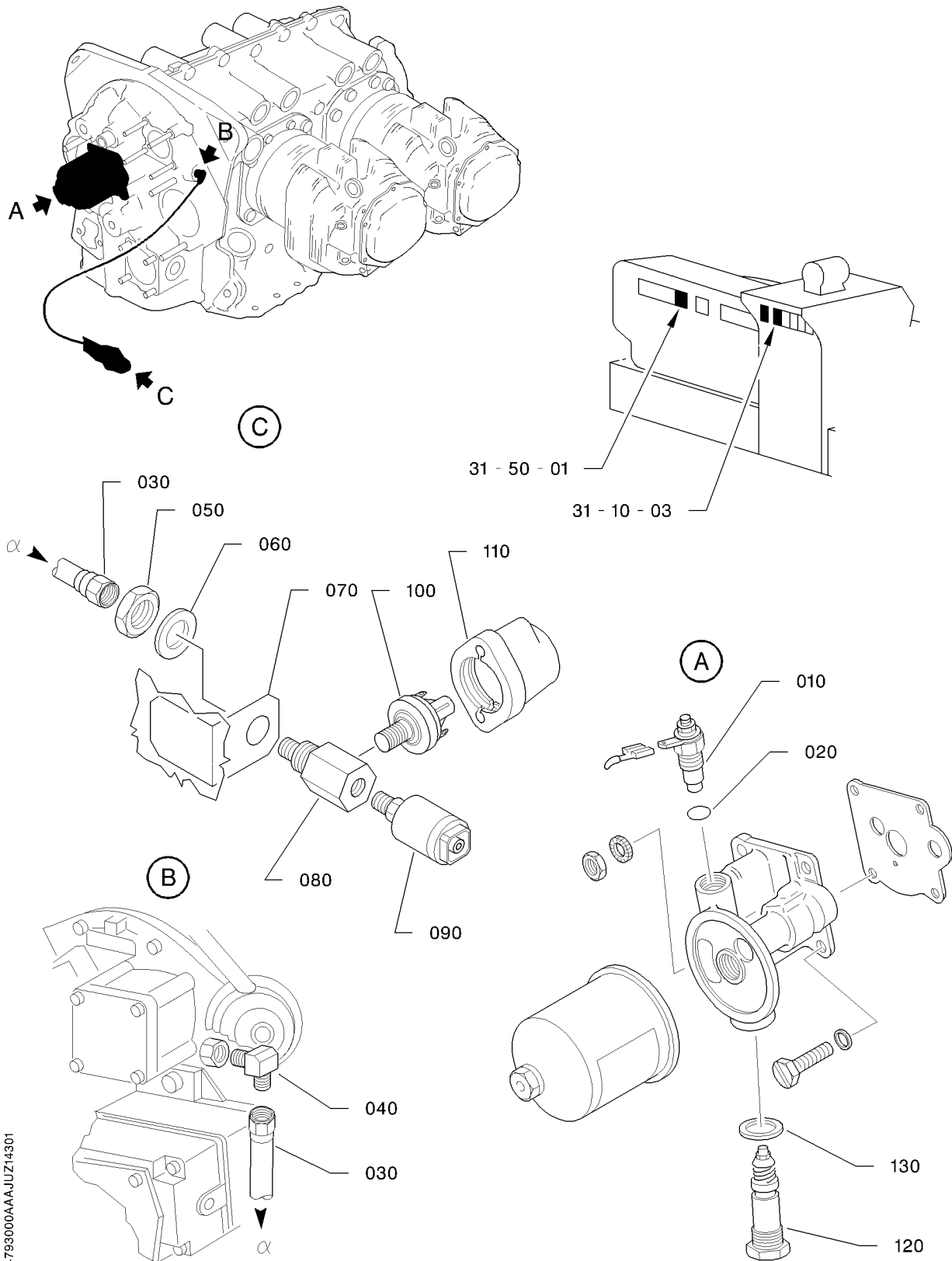
79-30-00

FIG. 1B

PAGE 1

NOV 30/18

S/N 969, 1185, 1214, 1478, 1506 - 1508, 1513 - 1569, PRE-SL 10-031-79 (KIT OPT10 918400)



I4793000AAAUAJUZ14301

INDICATING SYSTEM
FIGURE 1C

79-30-00

FIG. 1C
PAGE 0 R
NOV 30/18

FIG.ITEM	PART NUMBER	NOMENCLATURE		EFFECT FROM TO	UNITS PER ASSY	OBS
		1234567 				
1C- 1	TF79-30-00-01C-001		INDICATING SYSTEM		RF	
10	TB10 61230000		.TEMPERATURE PROBE		1	
20	7423062710		.SEAL V88044		1	
			RPLD BY 7422065711			
- 20A	7422065711		.SEAL V96906		1	
			RPLS 7423062710			
30	TB10 53016103		.HOSE		1	
40	TB09 53022100		.90 ELBOW		1	
50	5301904360		.NUT		1	
60	5718061550		.WASHER VF0110		1	
			OPT TO NFE E27618G160 AJTL MADE BY VF0110			
70	TB10 23020160		.SUPPORT		1	
80	TB10 53020100		.UNION		1	
90	7809170200		.PRESSURE TRANSMITTER		1	
			FOR SB 10-129-79 APPLICATION, ORDER 1 KIT OPT10 927900			
100	6038057223		.OIL PRESSURE SWITCH V74400		1	
			OPT TO 5000 MADE BY V74400			
110	7510203321		.COVER V74400		1	
			OPT TO M3321 MADE BY V74400			
120	6092557284		.VALVE V80254		1	
			OPT TO 75944 MADE BY V80254			
130	7423257710		.GASKET V80254		1	

- ITEM NOT ILLUSTRATED

79-30-00

FIG. 1C

PAGE 1 R

NOV 30/18

S/N 1570 - 9999 ; S/N 1 - 1569 POST-SL 10-031-79 (KIT OPT10 918400)

PAGE INTENTIONALLY BLANK

79-30-00

FIG. 1C

PAGE 2 R

NOV 30/18