

80

STARTING

CHAPTER 80
STARTING
LIST OF EFFECTIVE PAGES

CH-SECT	UNIT-FIG	PAGE		DATE	CH-SECT	UNIT-FIG	PAGE	DATE
LEP		1	*	NOV 30/18				
LEP		2	*	NOV 30/18				
TOC		1	*	NOV 30/18				
80-00-00	1	0	*	NOV 30/18				
80-00-00	1	1	*	NOV 30/18				
80-00-01	1	0	*	NOV 30/18				
80-00-01	1	1	*	NOV 30/18				
80-00-01	1A	0	*	NOV 30/18				
80-00-01	1A	1	*	NOV 30/18				
80-00-01	1B	0	*	NOV 30/18				
80-00-01	1B	1	*	NOV 30/18				
80-00-01	1C	0	*	NOV 30/18				
80-00-01	1C	1	*	NOV 30/18				
80-00-02	1	0	*	NOV 30/18				
80-00-02	1	1	*	NOV 30/18				
80-00-02	1A	0	*	NOV 30/18				
80-00-02	1A	1	*	NOV 30/18				
80-00-02	1A	2	*	NOV 30/18				

* THE ASTERISK INDICATES PAGES CHANGED, ADDED OR DELETED

80 - LIST OF EFFECTIVE PAGES

PAGE INTENTIONALLY BLANK

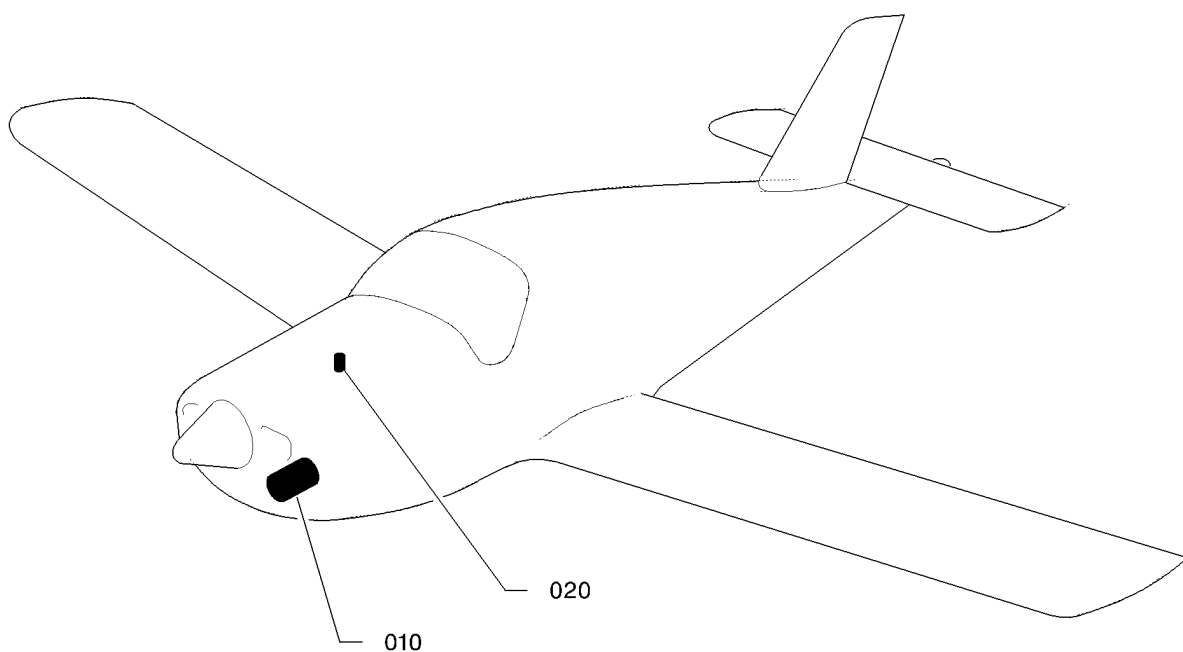
80 - LIST OF EFFECTIVE PAGES

PAGE 2

NOV 30/18

CHAPTER 80
STARTING
TABLE OF CONTENTS

SUBJECT	CHAPTER SECTION FIG. SUBJECT	VALIDITY
STARTING	80-00	
STARTING	80-00-00 1	S/N 1 - 9999
STARTER	80-00-01 1	PRESTOLITE 14V
STARTER	80-00-01 1A	LYCOMING 28V
STARTER	80-00-01 1B	PRESTOLITE 28V, AFTER STOCK DEPLETION SEE FIG. 1C
STARTER	80-00-01 1C	ELECTROSYSTEMS 28V
STARTER RELAY	80-00-02 1	S/N 1 - 822, 850 - 887, 889 - 947
STARTER RELAY	80-00-02 1A	S/N 823 - 849, 888, 948 - 9999



I424000AAADYZ14400

STARTING
FIGURE 1

80-00-00

FIG. 1
PAGE 0 R

NOV 30/18

FIG.ITEM	PART NUMBER	1234567 NOMENCLATURE	EFFECT FROM TO	UNITS PER ASSY	OBS
1 - 1 10 20	TF80-00-00-01-001 TB80-00-01-01 TB80-00-02-01	STARTING .STARTER .STARTER RELAY		RF 1 1	

- ITEM NOT ILLUSTRATED

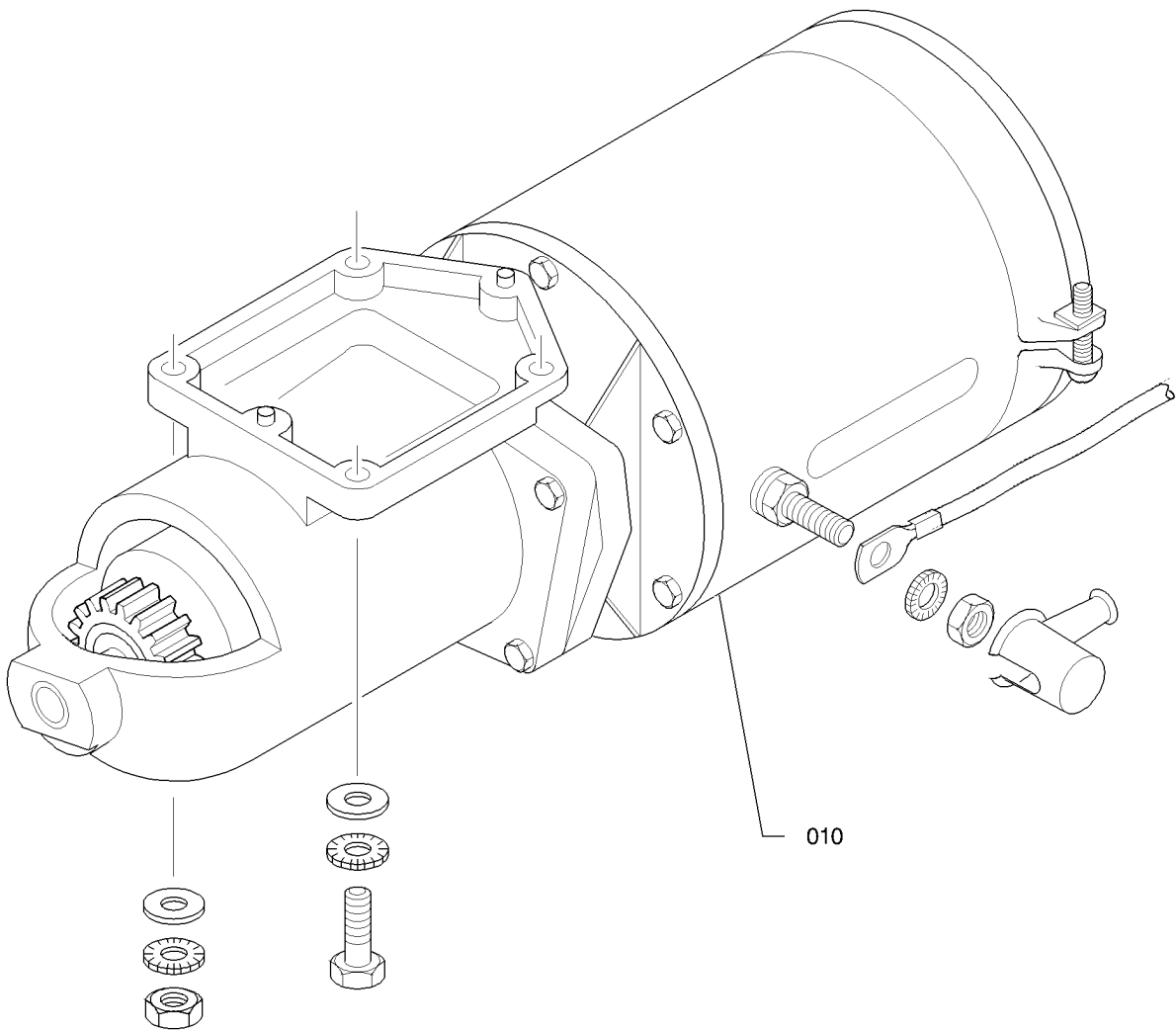
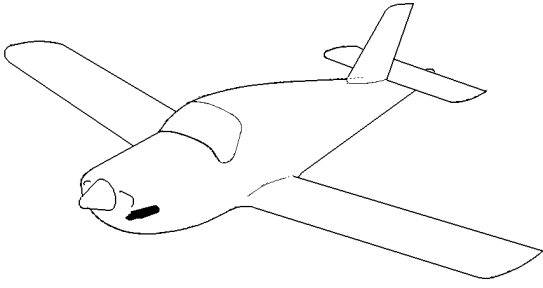
80-00-00

FIG. 1

PAGE 1 R

NOV 30/18

S/N 1 - 9999



1480001AAAAYZ4301

STARTER
FIGURE 1

80-00-01

FIG. 1
PAGE 0 R

NOV 30/18

FIG.ITEM	PART NUMBER	1234567 NOMENCLATURE	EFFECT FROM TO	UNITS PER ASSY	OBS
1 - 1 10	TB80-00-01-01-001 6069557224	STARTER .STARTER		RF 1	

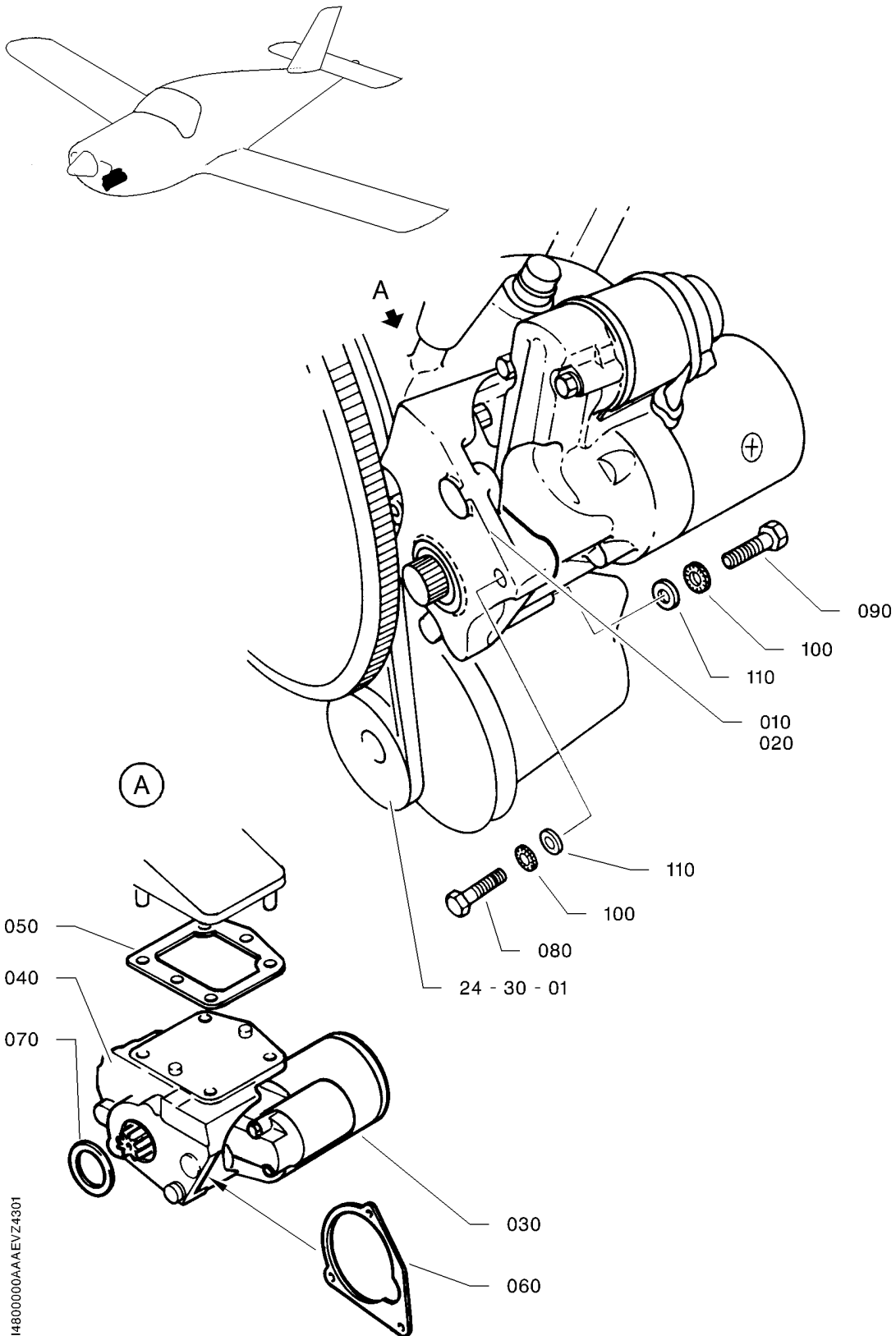
- ITEM NOT ILLUSTRATED

80-00-01

FIG. 1

PAGE 1 R

NOV 30/18



14800000AAAEEVZ4301

STARTER
FIGURE 1A

80-00-01

FIG. 1A
PAGE 0 R
NOV 30/18

FIG.ITEM	PART NUMBER	1234567 	NOMENCLATURE	EFFECT FROM TO	UNITS PER ASSY	OBS
1A- 1	TF80-00-01-01A-001		STARTER		RF	
10	6092557296		.STARTER KIT V80254 OPT TO 05K21302-2(24V) MADE BY V80254 AS SPARES, ORDER 1 STARTER 6069557226 + 1 L.H. FRONT BULKHEAD TB09 54015001 - REFER TO 71-10-02 AND 80-00-01 (FIG. 01C) RPLD BY 6069557226		1	NP
20	6092557294		..STARTER V80254 OPT TO 31B21064 MADE BY V80254 AS SPARES, ORDER 1 STARTER 6069557226 + 1 L.H. FRONT BULKHEAD TB09 54015001 - REFER TO 71-10-02 AND 80-00-01 (FIG. 01C) RPLD BY 6069557226		1	NP
30			...MOTOR AND SOLENOID		1	
40			...SUPPORT		1	
50			..SPACER V80254		1	
60			..SHIM		1	
70			..SHIM		1	
80	7907250175		.SCREW V80254		1	
90			.SCREW V80254		2	
100	7743230038		.WASHER V80254 OPT TO STD160 MADE BY V80254		3	
110	7743230036		.WASHER V80254 OPT TO STD8 MADE BY V80254		3	

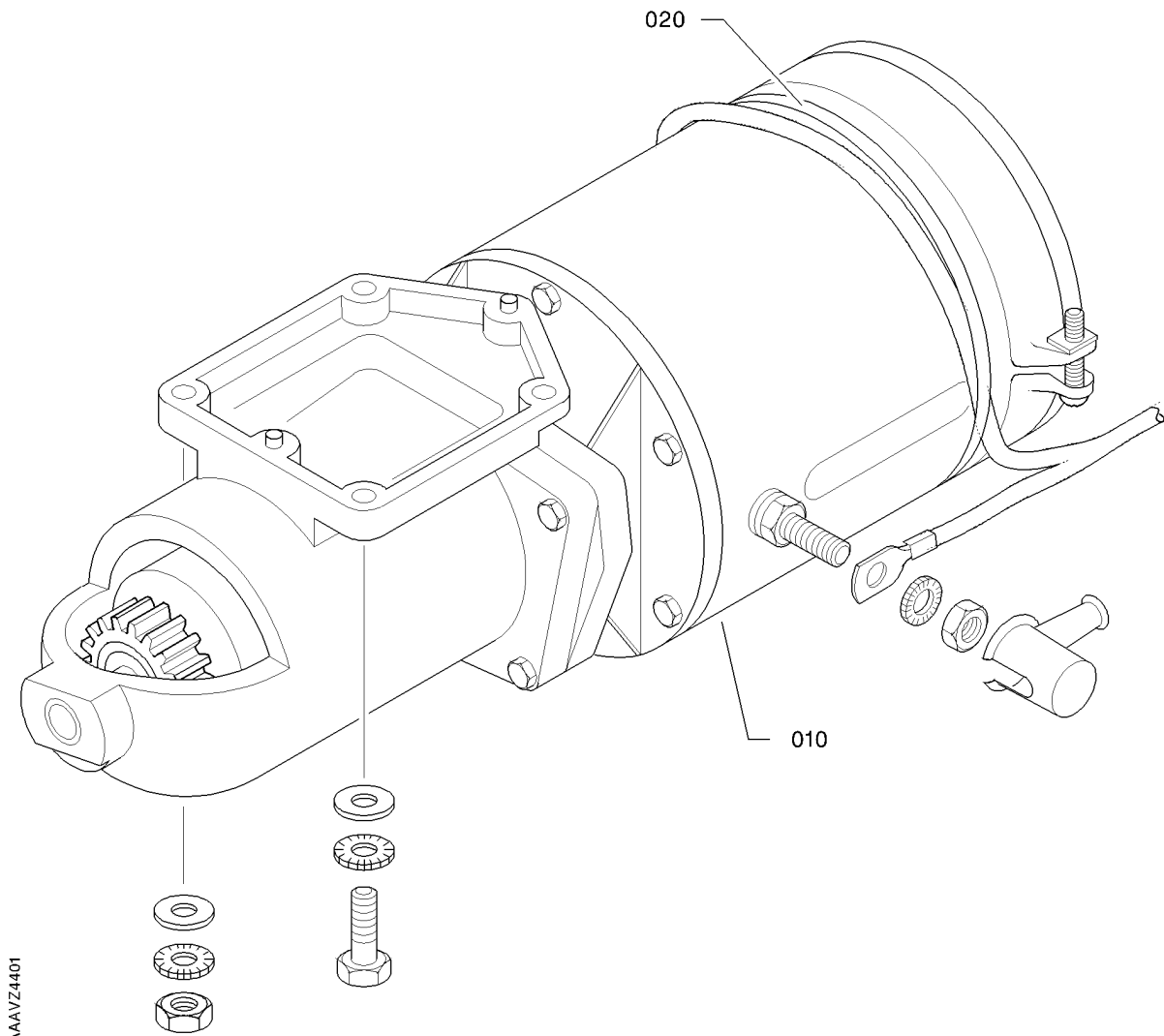
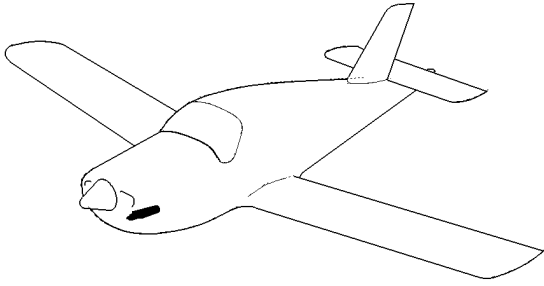
- ITEM NOT ILLUSTRATED

80-00-01

FIG. 1A

PAGE 1 R

NOV 30/18



STARTER
FIGURE 1B

80-00-01

FIG. 1B
PAGE 0 R

NOV 30/18

FIG. ITEM	PART NUMBER	NOMENCLATURE	EFFECT FROM TO	UNITS PER ASSY	OBS
1B- 1 10 - 10A 20	TB80-00-01-01B-001 6069557225 6069557226 7141940071	1234567 STARTER .STARTER PRESTOLITE .STARTER ELECTROSYSTEM .TIE-WRAP VF6728 OPT TO TY29M MADE BY VF6728		RF 1 1 1	

- ITEM NOT ILLUSTRATED

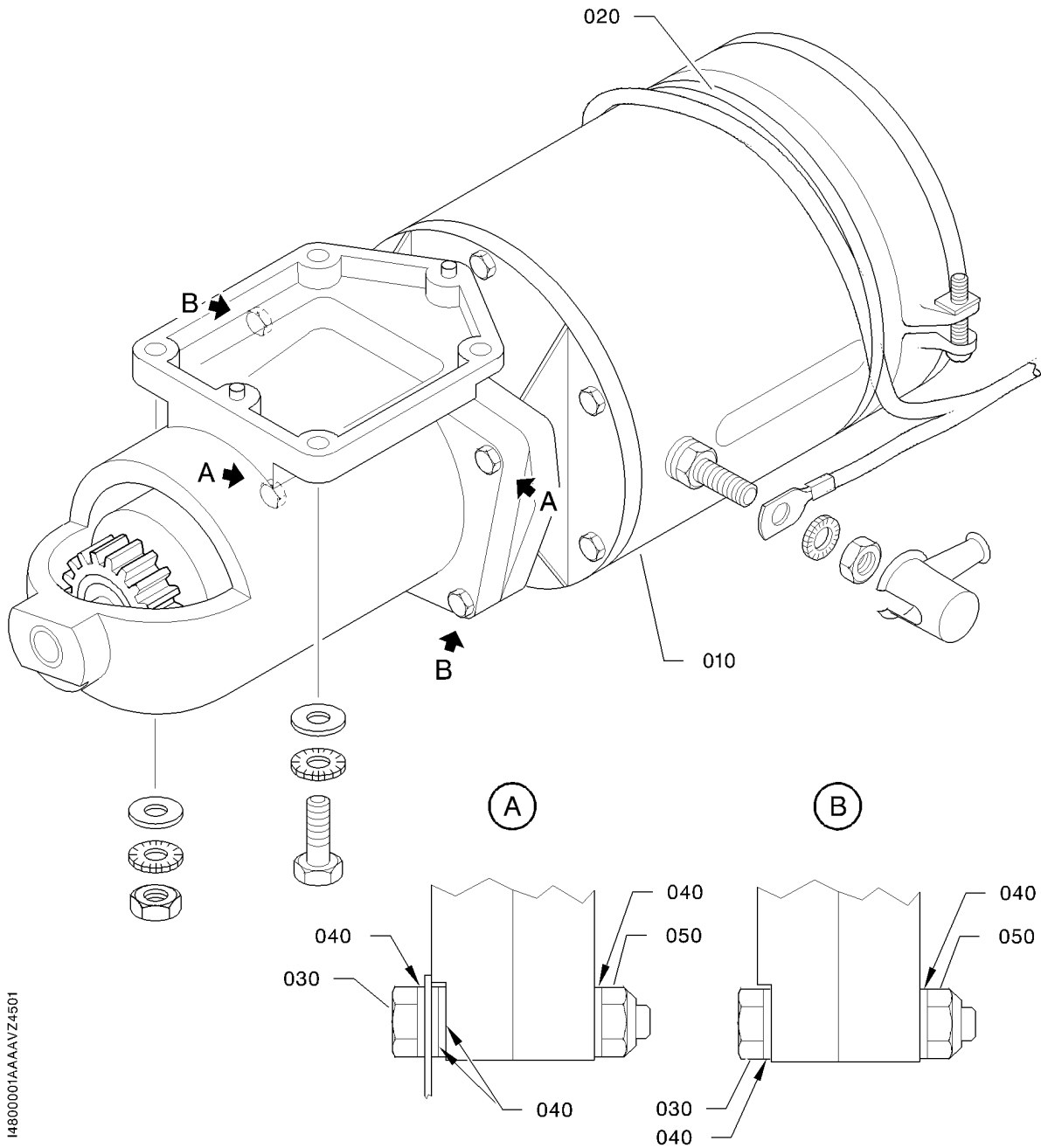
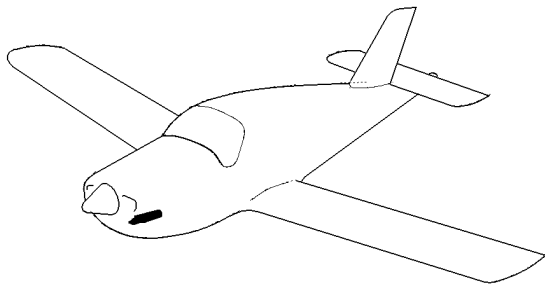
80-00-01

FIG. 1B

PAGE 1 R

NOV 30/18

PRESTOLITE 28V, AFTER STOCK DEPLETION SEE FIG. 1C



14800001AAAAVZ4501

STARTER
FIGURE 1C

80-00-01

FIG. 1C
PAGE 0 R
NOV 30/18

FIG. ITEM	PART NUMBER	NOMENCLATURE		EFFECT FROM TO	UNITS PER ASSY	OBS
		1234567 				
1C- 1	TF80-00-01-01C-001		STARTER		RF	
10	6069557226		.STARTER ELECTROSYSTEM RPLD BY MHB6016		1	
- 10A	MHB6016		.STARTER ELECTROSYSTEM RPLS 6069557226		1	
20	7141940071		.TIE-WRAP OPT TO TY29M MADE BY VF6728 ATTACHING PARTS		1	R
30	TB10 09083107		.SPECIAL SCREW		4	
- 30A	5101301111		.BOLT OPT TO AN-4-11A MADE BY V80205 FOR L.H. FRONT ENGINE BULKHEAD ATTACHMENT TO MHB6016 STARTER		2	R
40	5741503325		.WASHER OPT TO AN960-416 MADE BY V88044 RPLD BY 5741151463		AR	R
- 40A	5741151463		.WASHER OPT TO NAS1149F0463P MADE BY V80205 RPLS 5741503325		AR	R
- 40B	5701039345		.WASHER FOR L.H. FRONT ENGINE BULKHEAD ATTACHMENT TO MHB6016 STARTER		AR	R
50	5415371302		.NUT OPT TO MS21042L4 MADE BY V96906 * * *		4	R

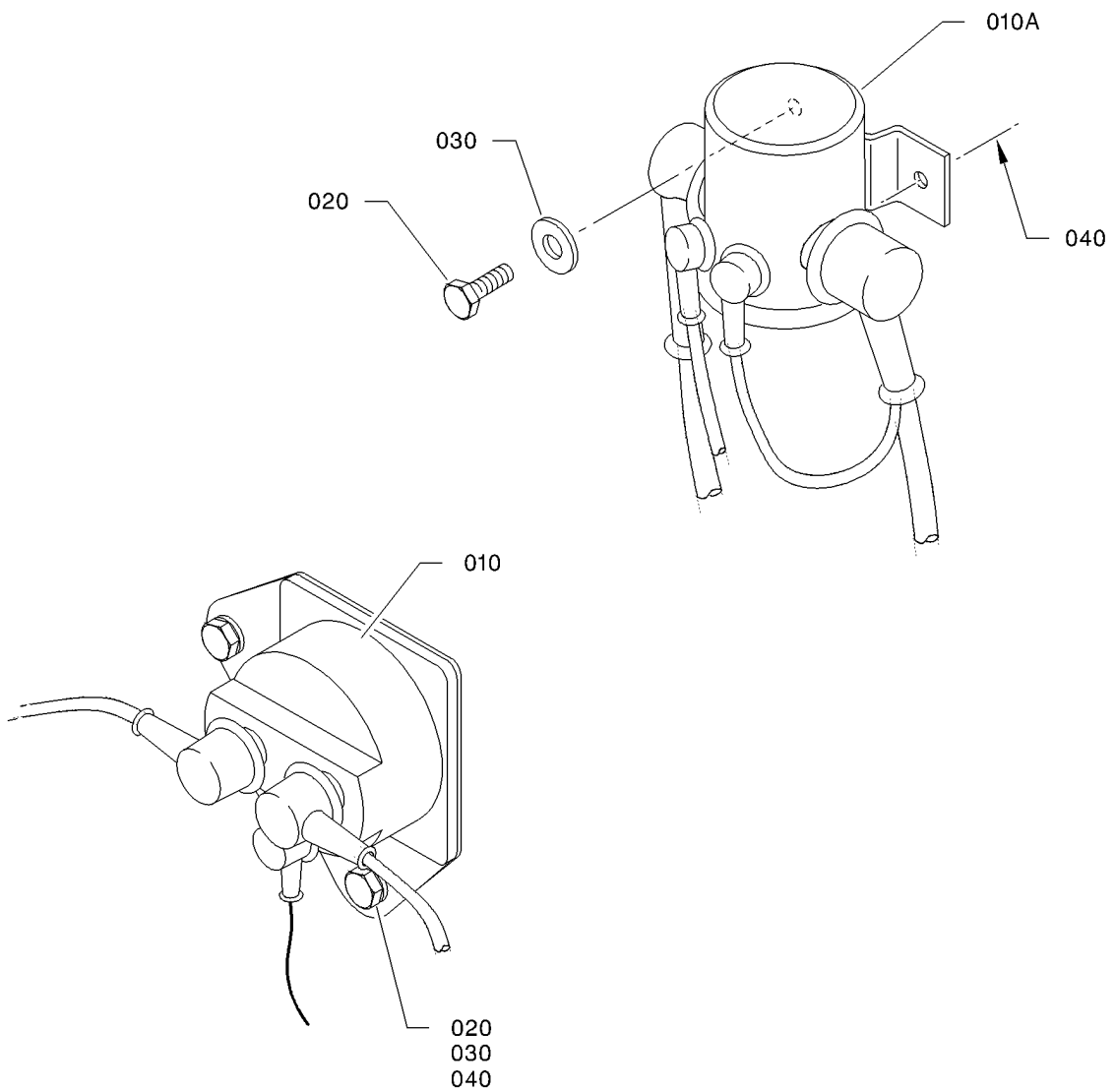
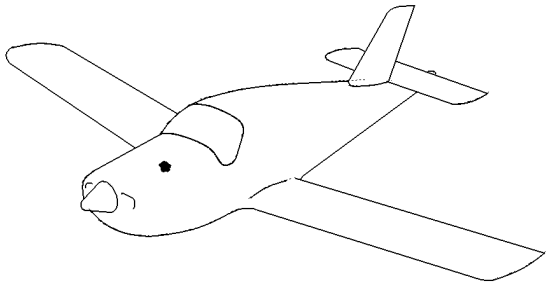
- ITEM NOT ILLUSTRATED

80-00-01

FIG. 1C

PAGE 1

NOV 30/18



STARTER RELAY
FIGURE 1

80-00-02

FIG. 1
PAGE 0 R

NOV 30/18

1480002AAA B V Z 4300

FIG.ITEM	PART NUMBER	1234567 	NOMENCLATURE	EFFECT FROM TO	UNITS PER ASSY	OBS
1 - 1	TF80-00-02-01-001		STARTER RELAY		RF	
10	7733014900		.STARTER RELAY S/N 1 - 369 RPLD BY OPT10 907500		1	NP
10A	7733212255		.STARTER RELAY VF7183 OPT TO 70-112-225-5 MADE BY VF7183 S/N 370 - 822, 850 - 887, 889 - 947		1	
20	5102953168		ATTACHING PARTS .BOLT VF0110 OPT TO NFE27311H50Q12AGUL MADE BY VF0110		2	
30	5706039240		.WASHER OPT TO 23116AD050L MADE BY VF0111		4	R
40	5401458239		.NUT OPT TO E25412B50QQVAL MADE BY VF0110 S/N 1 - 48		2	R
- 40A	5421218050		.ANCHOR NUT, TWO LUG OPT TO 5SR1009M NFL22567 MADE BY VF0224 S/N 49 - 822, 850 - 887, 889 - 947 * * *		2	R

- ITEM NOT ILLUSTRATED

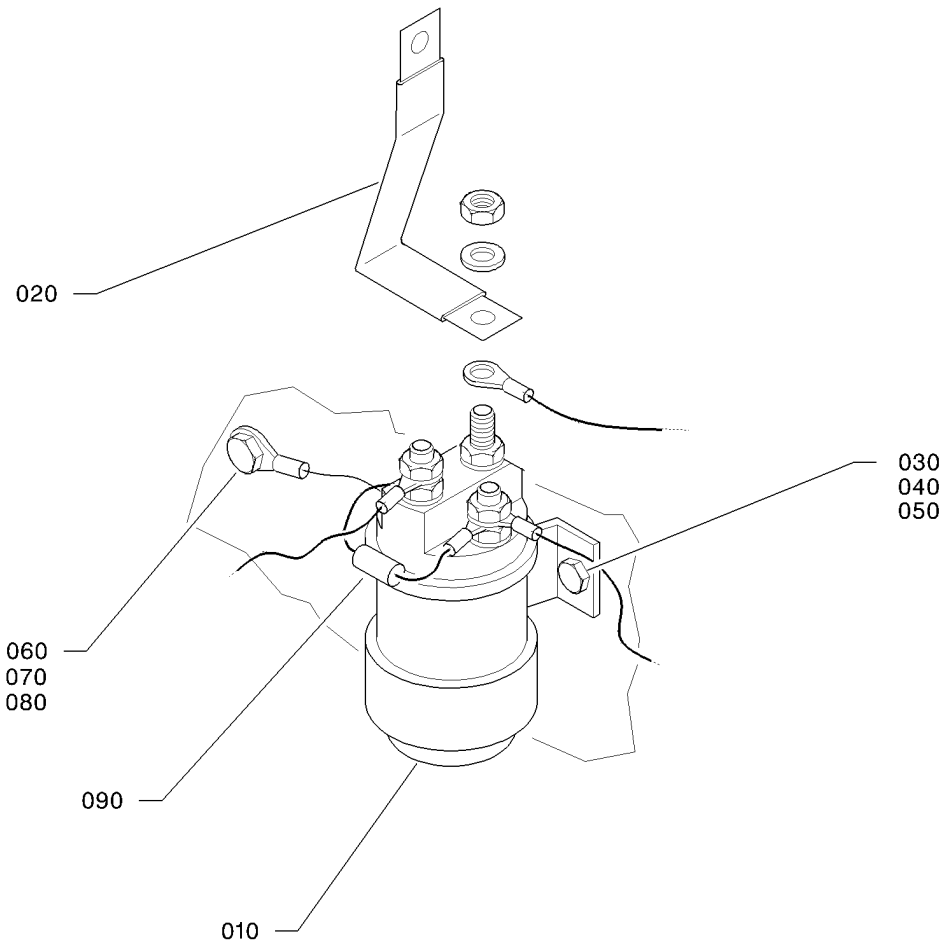
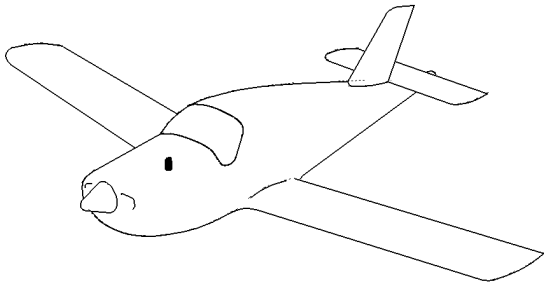
80-00-02

FIG. 1

PAGE 1

NOV 30/18

S/N 1 - 822, 850 - 887, 889 - 947



I4800002AAAAVZ4301

STARTER RELAY
FIGURE 1A

80-00-02

FIG. 1A

PAGE 0 R

NOV 30/18

FIG.ITEM	PART NUMBER	NOMENCLATURE	EFFECT FROM TO	UNITS PER ASSY	OBS
		1234567 			
1A- 1	TF80-00-02-01A-001	STARTER RELAY		RF	
10	7733011960	.STARTER RELAY		1	
20	TB10 61221005	.SHUNT		1	
		ATTACHING PARTS			
30	5101229175	.BOLT		2	R
40	5701039240	.WASHER		2	R
		OPT TO ASN 53101 MADE BY VF0111			
50	5431466239	.ANCHOR NUT, ONE LUG		2	
60	5101229295	.BOLT VF7411		1	
70	5701039290	.WASHER		1	R
		OPT TO 23111AD060L MADE BY VF0111			
80	5401458300	.NUT		1	R
		OPT TO E25412B60QQVAL MADE BY VF0110			
		* * *			
90	TB10 61229000	.DIODE ASSY		1	
		S/N 1795 - 9999 ; S/N 823 - 849, 888, 948 - 1794, POST-SB 10-097-74 (KIT OPT10 921600)			

- ITEM NOT ILLUSTRATED

80-00-02

FIG. 1A

PAGE 1

NOV 30/18

S/N 823 - 849, 888, 948 - 9999

PAGE INTENTIONALLY BLANK