

09

**TOWING AND
TAXIING**

CHAPTER 09
TOWING AND TAXIING
LIST OF EFFECTIVE PAGES

CH-SECT	UNIT-FIG	PAGE		DATE	CH-SECT	UNIT-FIG	PAGE	DATE
LEP		1	*	NOV 30/18				
LEP		2	*	NOV 30/18				
TOC		1	*	NOV 30/18				
09-00-00	1	0	*	NOV 30/18				
09-00-00	1	1	*	NOV 30/18				
09-00-00	1A	0	*	NOV 30/18				
09-00-00	1A	1	*	NOV 30/18				
09-00-00	1A	2	*	NOV 30/18				

* THE ASTERISK INDICATES PAGES CHANGED, ADDED OR DELETED

09 - LIST OF EFFECTIVE PAGES

PAGE INTENTIONALLY BLANK

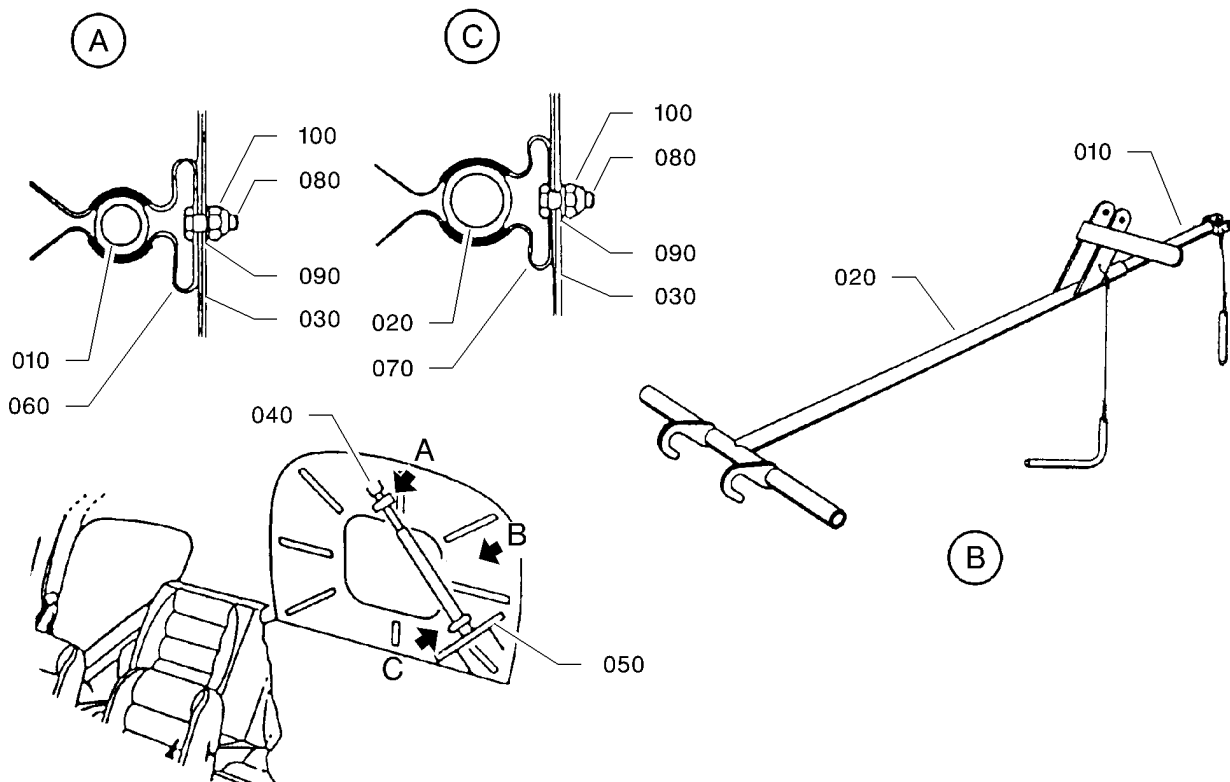
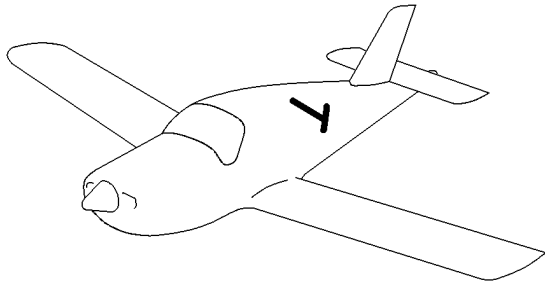
09 - LIST OF EFFECTIVE PAGES

PAGE 2

NOV 30/18

CHAPTER 09
TOWING AND TAXIING
TABLE OF CONTENTS

SUBJECT	CHAPTER SECTION FIG. SUBJECT	VALIDITY
TOWING AND TAXIING	09-00	
TOWING AND TAXIING	09-00-00 1	S/N 1 - 587
TOWING AND TAXIING	09-00-00 1A	S/N 588 - 9999



14050000AAABVZ4300

TOWING AND TAXIING
FIGURE 1

09-00-00

FIG. 1
PAGE 0 R
NOV 30/18

FIG.ITEM	PART NUMBER	1234567 	NOMENCLATURE	EFFECT FROM TO	UNITS PER ASSY	OBS
1 - 1	TB09-00-00-01-001		TOWING AND TAXIING		RF	
10	TB10 97001002		.TOW BAR		1	
20	TB10 97001001		.CONTROL SURFACE LOCKING DEVICE		1	
30	TB10 79911100		.REINFORCEMENT PLATE		2	OR
40	TB10 79911106		.UPPER PROTECTION		1	
50	TB10 79911105		.LOWER PROTECTION		1	
60	TB10 79911002		.CLIP		1	
70	TB10 79911001		.CLIP		1	
			ATTACHING PARTS			
80	5101229164		.BOLT		2	R
90	5701039240		.WASHER		2	R
			OPT TO ASN 53101 MADE BY VF0111			
100	5401458239		.NUT		2	R
			OPT TO E25412B50QQVAL MADE BY VF0110			
			* * *			

- ITEM NOT ILLUSTRATED

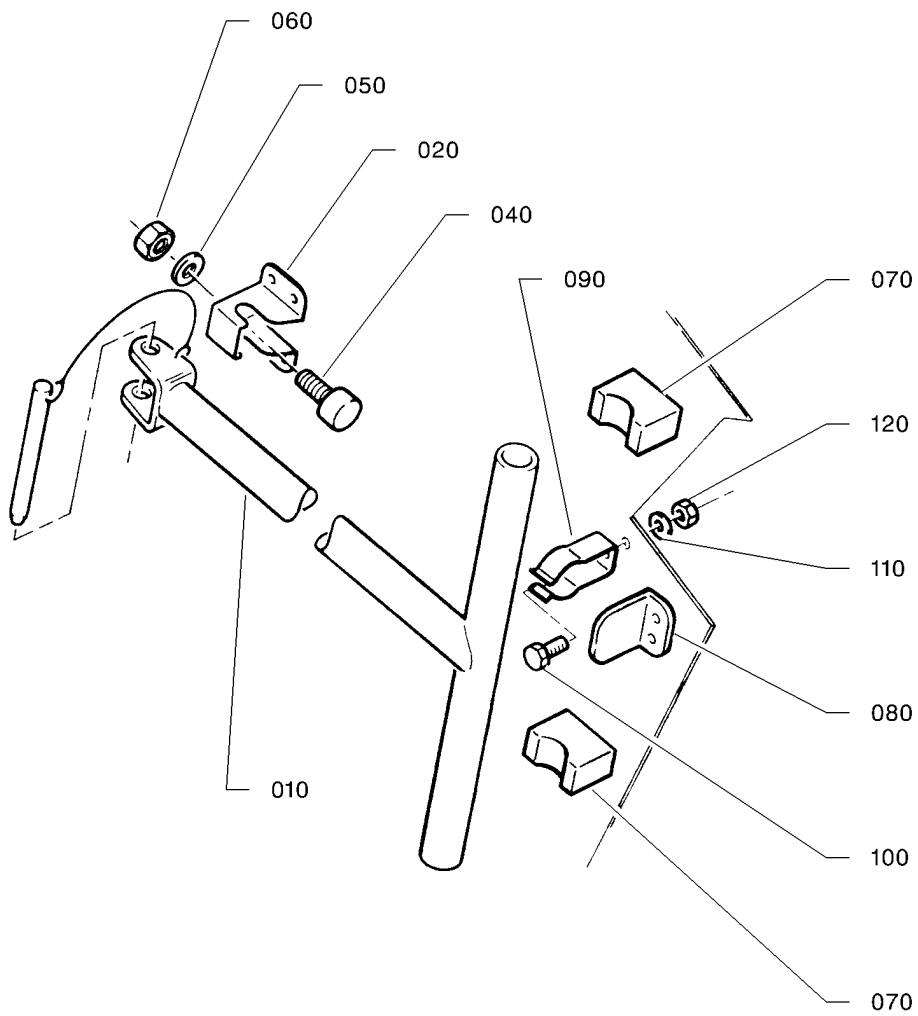
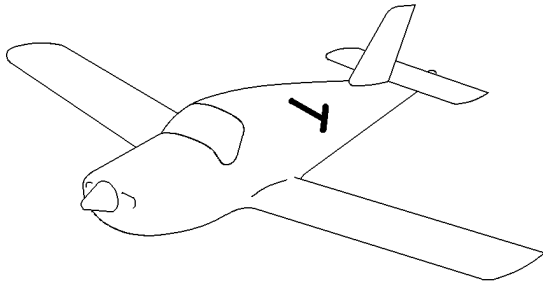
09-00-00

FIG. 1

PAGE 1

NOV 30/18

S/N 1 - 587



14090000AAAACVZ4300

TOWING AND TAXIING
FIGURE 1A

09-00-00

FIG. 1A

PAGE 0 R

NOV 30/18

FIG. ITEM	PART NUMBER	NOMENCLATURE	EFFECT FROM TO	UNITS PER ASSY	OBS
		1234567 			
1A- 1	TB09-00-00-01A-001	TOWING AND TAXIING		RF	
10	TB10 97010001	.TOW BAR		1	
20	TB10 97010109	.SUPPORT S/N 588 - 809 RPLD BY TB10 97010003		1	OR
- 20A	TB10 97010003	.SUPPORT RPLS TB10 97010109		1	
40	7103701115	..STOP VF0220 OPT TO 511115 MADE BY VF0220		1	
50	5701039240	..WASHER OPT TO ASN 53101 MADE BY VF0111		1	R
60	5401458239	..NUT OPT TO E25412B50QQVAL MADE BY VF0110		1	R
70	TB10 97010110	.SHIM		2	
80	TB10 97010108	.STOP		1	
90	TB10 97010002	.CLIP ATTACHING PARTS		1	
100	5101229289	.BOLT		1	
110	5701039290	.WASHER OPT TO 23111AD060L MADE BY VF0111		1	R
120	5401458300	.NUT OPT TO E25412B60QQVAL MADE BY VF0110 * * *		1	R

- ITEM NOT ILLUSTRATED

09-00-00

FIG. 1A

PAGE 1

NOV 30/18

S/N 588 - 9999

PAGE INTENTIONALLY BLANK