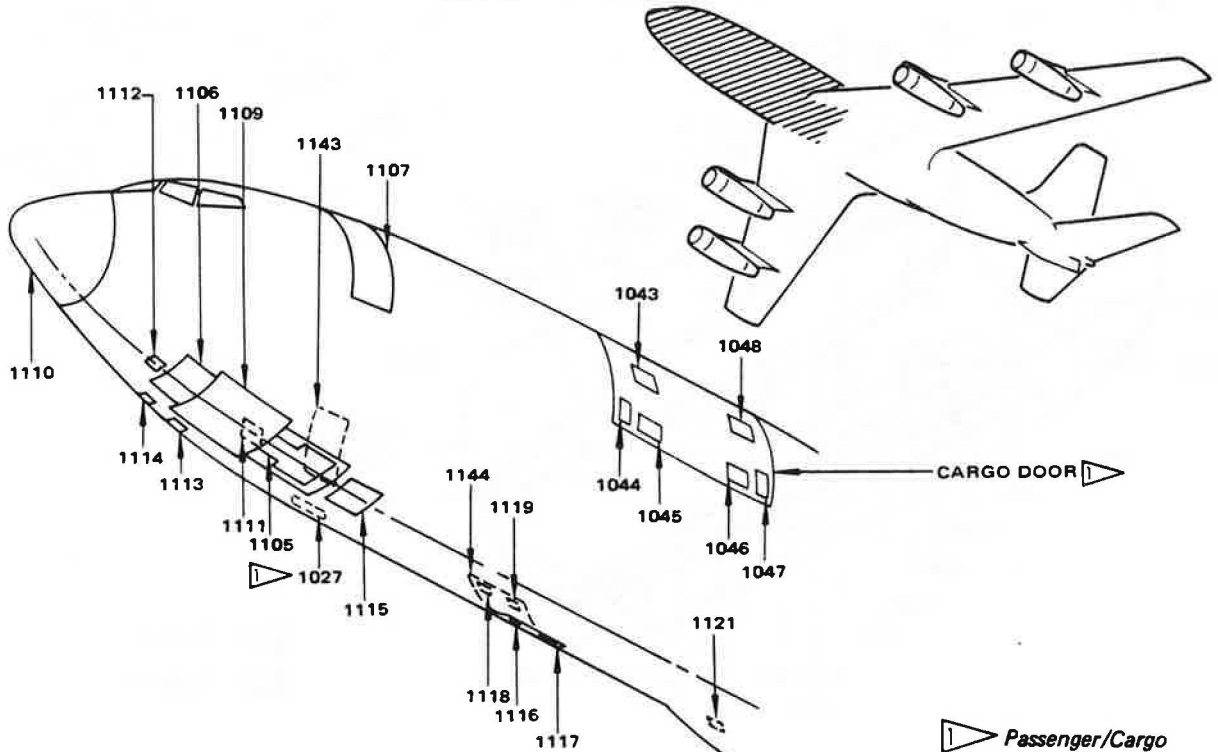


MAINTENANCE MANUAL

ACCESS DOORS AND PANELS



NOTE: WHERE BACN10LE SPACER NUTPLATES ARE USED, TIGHTEN THE FASTENERS, THEN BACK OFF APPROX 1/4 TURN AND RETIGHTEN TO ENSURE PROPER SEATING OF THE FASTENER.

 Passenger/Cargo Convertible Airplanes

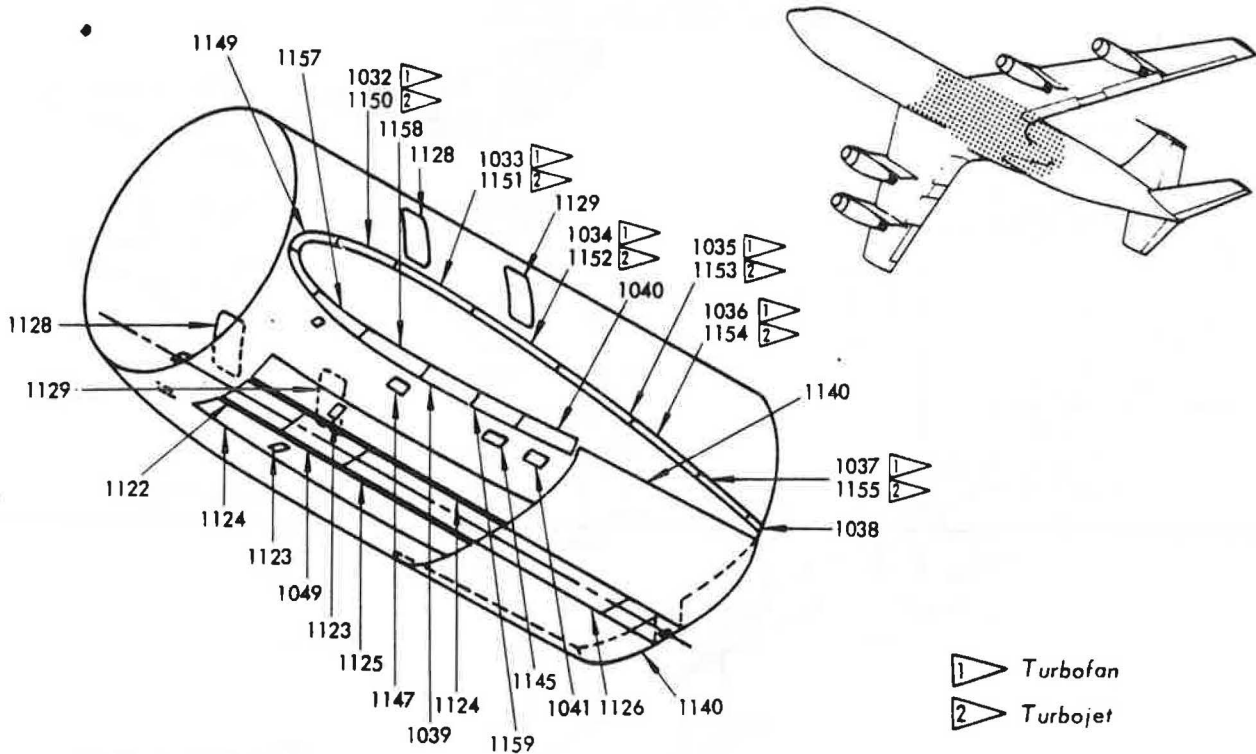
PANEL NO.	TITLE	FASTENERS	
		QTY.	TYPE
1027	WATER DRAIN DOOR	(*)	
1043	DRIFT PIN ACTUATOR ACCESS PANEL	24	DETAILED
1044	LATCH ACTUATOR ACCESS PANEL		DETAILED
1045	LATCH ACTUATOR ACCESS PANEL		DETAILED
1046	LATCH ACTUATOR ACCESS PANEL		DETAILED
1047	LATCH ACTUATOR ACCESS PANEL		DETAILED
1048	DRIFT PIN ACTUATOR ACCESS PANEL		DETAILED
1105	NOSE LANDING GEAR FAIRING		AN4-5A OR NAS333-5, *
1106	DOPPLER RADOME	(*)	
1107	FORWARD MAIN ENTRY DOOR		HANDLE LATCHED
1109	NOSE WHEEL WELL DOORS		MECHANICAL
1110	RADOME	16	NAS517-6-6
1111	FORWARD TOILET SERVICING DOOR	2	LATCHES
1112	ANTENNA COVER PANEL	12	NAS517-2-7
1113	FORWARD WATER SERVICING DOOR	3	LATCHES
1114	EXTERNAL POWER RECEPTACLE DOOR	2	LATCHES
1115	ELECTRONICS COMPARTMENT DOOR		HANDLE LATCHED
1116	FORWARD CARGO DOOR MECHANISM ACCESS	8	NAS517-3-4
1117	FORWARD CARGO DOOR MECHANISM ACCESS	8	NAS517-3-4
1118	FORWARD CARGO DOOR MECHANISM ACCESS	8	NAS517-3-4
1119	FORWARD CARGO DOOR MECHANISM ACCESS	8	NAS517-3-4
1121	PNEUMATIC GROUND SERVICE DOOR	1	LATCH
1143	FORWARD GALLEY DOOR		HANDLE LATCHED
1144	FORWARD CARGO DOOR		HANDLE LATCHED

(*) QUICK-RELEASE FASTENERS

BOEING
Intercontinental
707



MAINTENANCE MANUAL



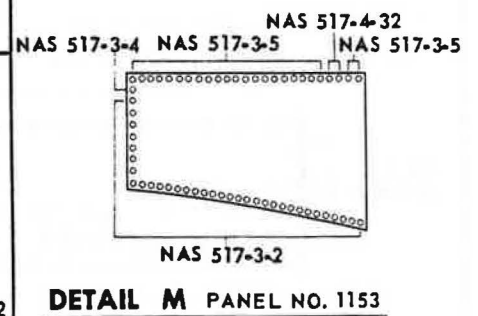
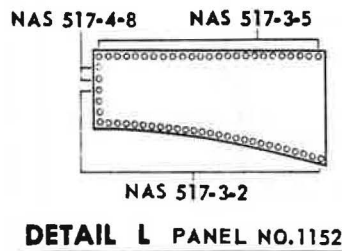
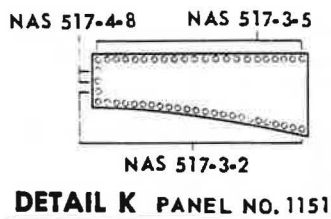
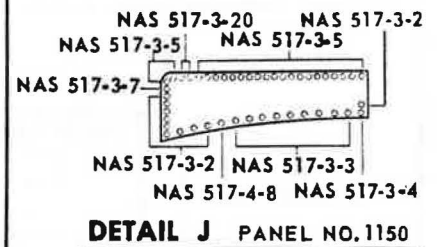
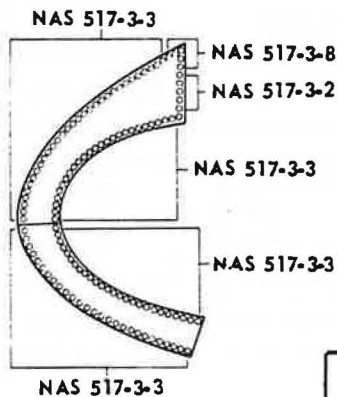
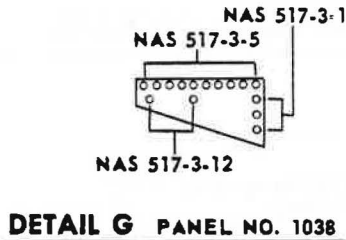
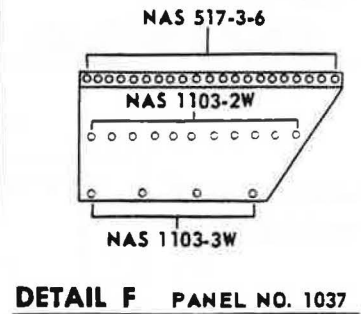
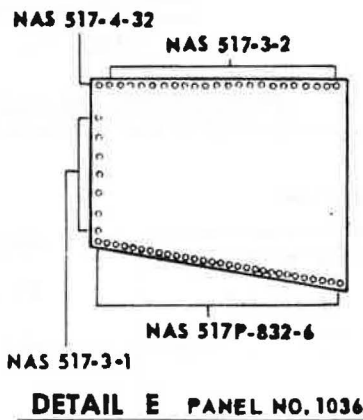
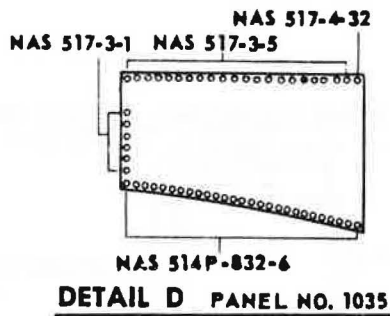
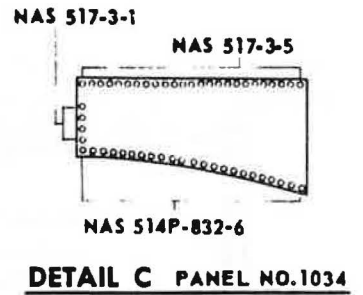
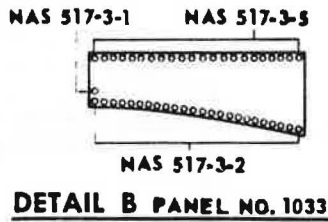
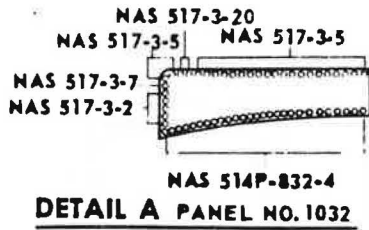
PANEL NO.	TITLE	FASTENERS
1032	WING TO FUSELAGE UPPER FAIRING ACCESS PANEL	(DETAILED)
1033	WING TO FUSELAGE UPPER FAIRING ACCESS PANEL	(DETAILED)
1034	WING TO FUSELAGE UPPER FAIRING ACCESS PANEL	(DETAILED)
1035	WING TO FUSELAGE UPPER FAIRING ACCESS PANEL	(DETAILED)
1036	WING TO FUSELAGE UPPER FAIRING ACCESS PANEL	(DETAILED)
1037	WING TO FUSELAGE UPPER FAIRING ACCESS PANEL	(DETAILED)
1038	WING TO FUSELAGE UPPER FAIRING ACCESS PANEL	(DETAILED)
1039	WING TO FUSELAGE UPPER FAIRING ACCESS PANEL	(DETAILED)
1040	WING TO FUSELAGE UPPER FAIRING ACCESS PANEL	(49 NASS17-3-2)
1041	TURBOFAN OUTLET ACCESS DOOR	(24 NASS17-3-2)
1049	ANTENNA ACCESS DOOR	(*)
1122	ANTENNA ACCESS DOOR	(*)
1123	AIR CYCLE UNIT ACCESS PANEL	(*)
1124	AIR CONDITIONING EQUIPMENT COMPARTMENT DOOR	LATCHES
1125	ANTENNA ACCESS DOOR	(*)
1126	ANTENNA ACCESS DOOR	(*)
1128	EMERGENCY ESCAPE HATCH	HANDLE LATCHED
1129	EMERGENCY ESCAPE HATCH	HANDLE LATCHED
1140	MAIN GEAR WHEEL WELL DOOR	MECHANICAL
1145	AUXILIARY COOLANT AIR INLET ACCESS PANEL	(10 AN509-C10-6)
1147	WING TO FUSELAGE LOWER FAIRING FORWARD ACCESS PANEL	(22 NASS17-3-2)
1149		(DETAILED)
1150		(DETAILED)
1151		(DETAILED)
1152		(DETAILED)
1153		(DETAILED)
1154		(DETAILED)
1155		(DETAILED)
1157		(DETAILED)
1158		(DETAILED)
1159		(DETAILED)

(*) QUICK RELEASE FASTENERS

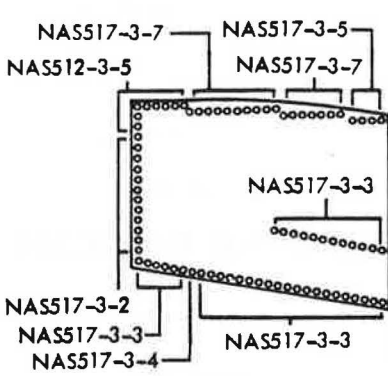
Fuselage Exterior Doors and Panels

Figure 1 (Sheet 2)

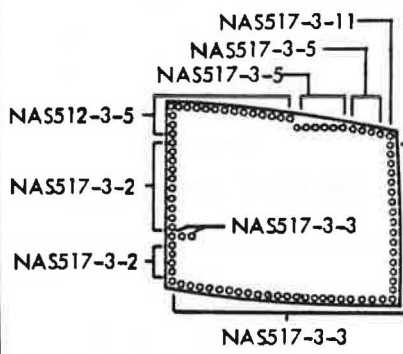
MAINTENANCE MANUAL



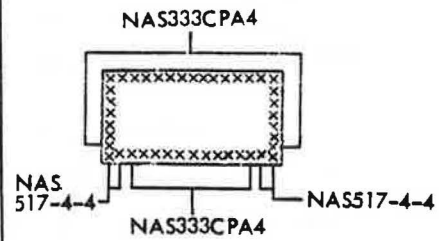
MAINTENANCE MANUAL



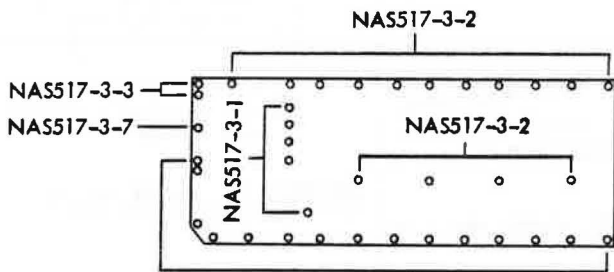
DETAIL N PANEL NO. 1154



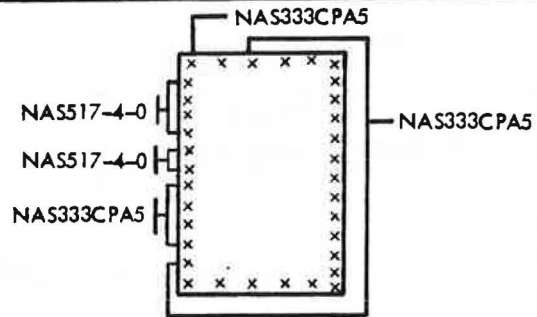
DETAIL O PANEL NO. 1155



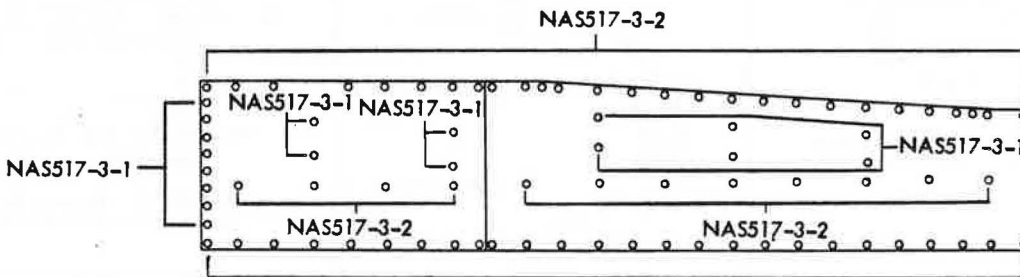
DETAIL S PANELS NO. 1043 AND 1048



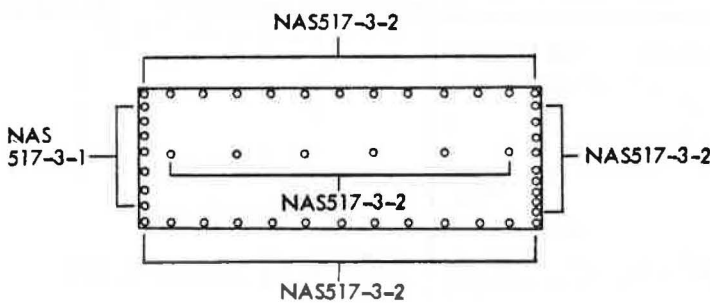
DETAIL P PANEL NO. 1157



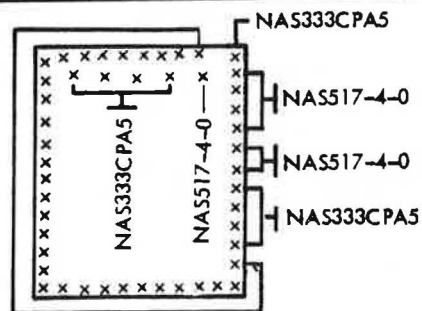
DETAIL T PANELS NO. 1044 AND 1047



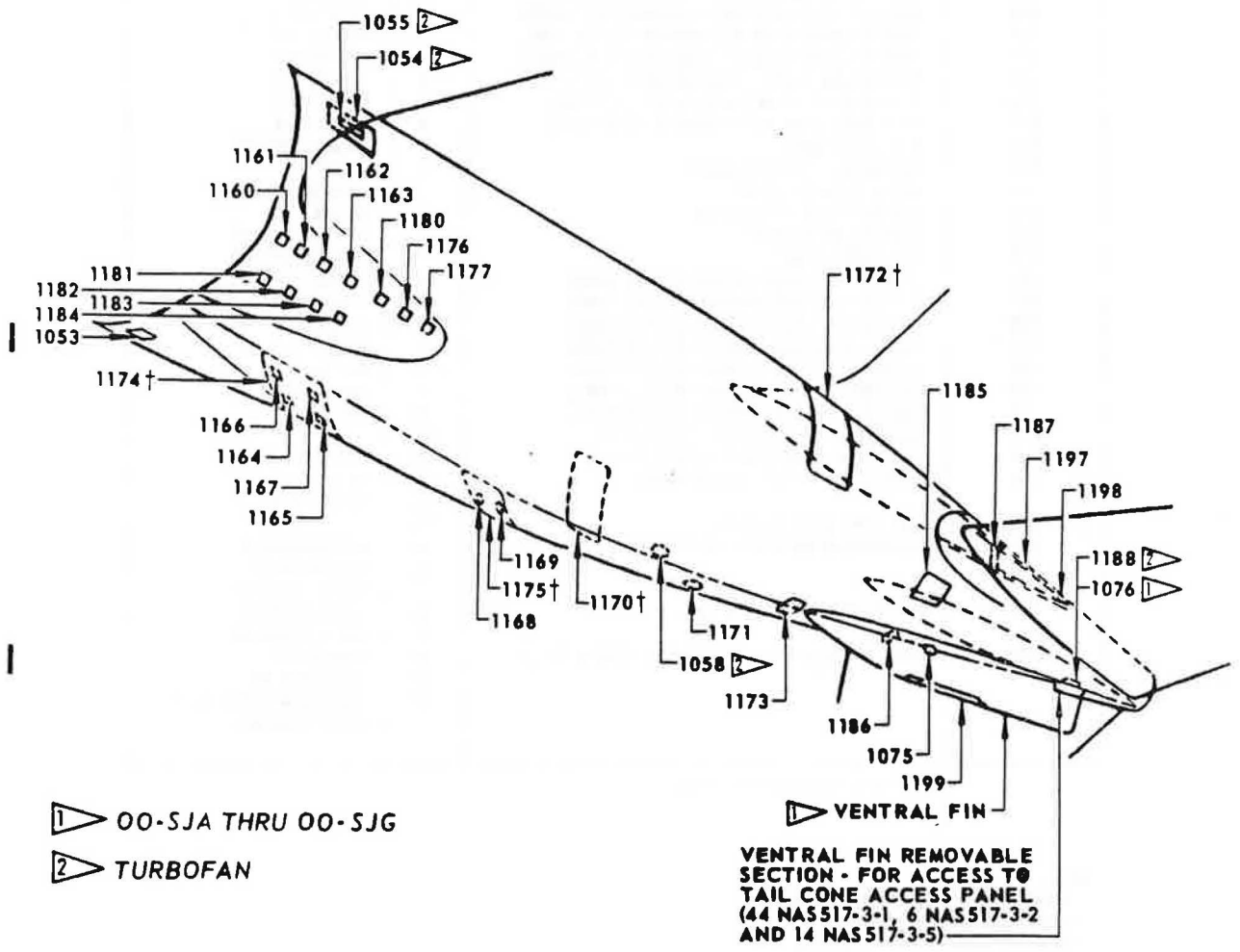
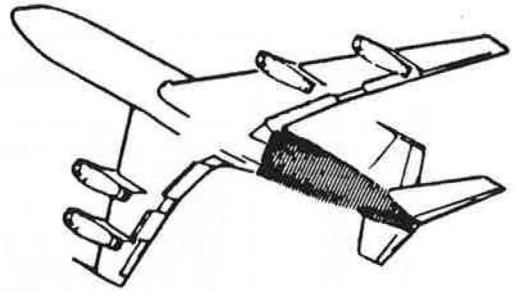
DETAIL Q PANELS NO. 1158 AND 1039



DETAIL R PANEL NO. 1159



DETAIL U PANELS NO. 1045 AND 1046





MAINTENANCE MANUAL

PANEL NO.	TITLE	FASTENERS	
		QTY.	TYPE
	GROUND CHARGE FITTING ACCESS DOOR	(*)	
2 1053	ACCESS FAIRING		
2 1054	ACCESS DOOR	8	NAS517-3-0
2 1055	ACCESS DOOR	(*)	
2 1058	ACCESS DOOR	16	NAS517-3-1
1 1075	STABILIZER SAFETY ROD ACCESS PANEL	(*)	
1 1076	TAIL CONE ACCESS PANEL	8	NAS517-3-0
1160	FUSELAGE TO FILLET FAIRING ACCESS PANEL	8	NAS517-3-0
1161	FUSELAGE TO FILLET FAIRING ACCESS PANEL	8	NAS517-3-0
1162	FUSELAGE TO FILLET FAIRING ACCESS PANEL	8	NAS517-3-0
1163	FUSELAGE TO FILLET FAIRING ACCESS PANEL	8	NAS517-3-0
1164	CENTER CARGO DOOR MECHANISM ACCESS PANEL	8	NAS517-3-4
1165	CENTER CARGO DOOR MECHANISM ACCESS PANEL	8	NAS517-3-4
1166	CENTER CARGO DOOR MECHANISM ACCESS PANEL	8	NAS517-3-4
1167	CENTER CARGO DOOR MECHANISM ACCESS PANEL	8	NAS517-3-4
1168	AFT CARGO DOOR MECHANISM ACCESS PANEL	4	NAS517-3-4
1169	AFT CARGO DOOR MECHANISM ACCESS PANEL	4	NAS517-3-4
1170	AFT GALLEY DOOR		HANDLE LATCHED
1171	AFT WATER SERVICING DOOR	1	LATCH
1172	AFT MAIN ENTRY DOOR		HANDLE LATCHED
1173	AFT TOILET SERVICING DOOR	2	LATCHES
1174	CENTER CARGO DOOR		HANDLE LATCHED
1175	AFT CARGO DOOR		HANDLE LATCHED
1176	FUSELAGE TO FILLET FAIRING ACCESS PANEL	8	NAS517-3-0
1177	FUSELAGE TO FILLET FAIRING ACCESS PANEL	8	NAS517-3-0
1180	FUSELAGE TO FILLET FAIRING ACCESS PANEL	8	NAS517-3-0
1181	FUSELAGE TO FILLET FAIRING ACCESS PANEL	8	NAS517-3-0
1182	FUSELAGE TO FILLET FAIRING ACCESS PANEL	8	NAS517-3-0
1183	FUSELAGE TO FILLET FAIRING ACCESS PANEL	8	NAS517-3-0
1184	FUSELAGE TO FILLET FAIRING ACCESS PANEL	8	NAS517-3-0
1185	STABILIZER JACK SCREW ACCESS PANEL	(*)	
1186	STABILIZER SAFETY ROD ACCESS PANEL	8	NAS517-3-5
1187	STABILIZER FITTING ACCESS PANEL	14	NAS517-3-2
		2	NAS517-3-3
2 1188	TAIL CONE ACCESS PANEL	(*)	
1197	FORWARD RUDDER TO BODY FAIRING	34	NAS514P1032-8
		1	NAS33CPA-12
		1	NAS514P1032-14
1198	AFT RUDDER TO BODY FAIRING	35	NAS514P1032-8
		1	NAS514P1032-14
1199	STABILIZER SAFETY ROD REMOVAL ACCESS PANEL	20	NAS517-3-1
		2	NAS1104-4-17
		2	NAS1104-4-18 THROUGH SKID SEGMENTS

(*) QUICK RELEASE FASTENERS

NOTE:

PANELS WHICH ARE LEFT HAND AND RIGHT HAND OPPOSITES ARE MARKED WITH THE SAME NUMBER AND WITH AN "L" OR "R" PRECEDING THE NUMBER.

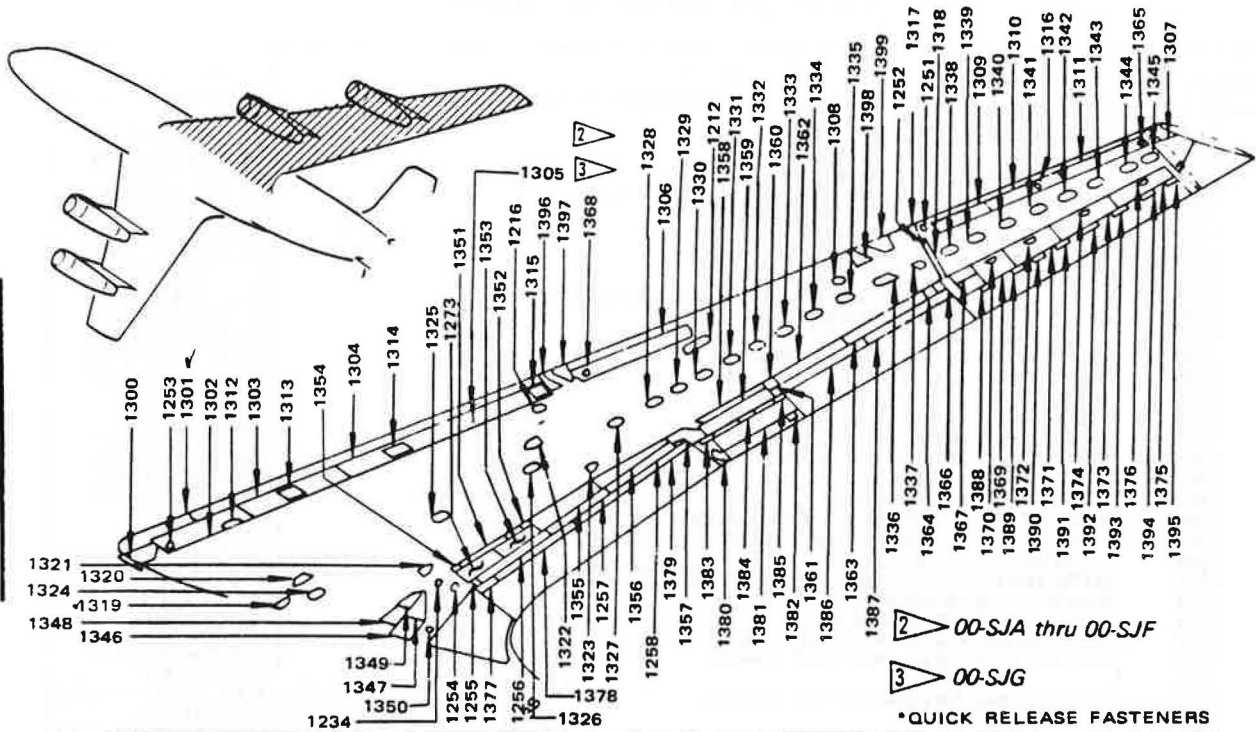
† THIS NUMBER IS NOT MARKED ON AIRPLANE AND IS GIVEN FOR SERVICE INFORMATION ONLY.

EFFECTIVITY

TURBOJET



MAINTENANCE MANUAL



2 00-SJA thru 00-SJF

3 00-SJG

*QUICK RELEASE FASTENERS

PANEL NO.	TITLE	FASTENERS	
		QTY.	TYPE
1212	PRESSURE FUELING DRY BAY ACCESS DOOR		LATCHES
1216	INBOARD DRY BAY ACCESS PANEL	(*)	
1234	LANDING GEAR TORQUE BOX ACCESS DOOR	4	NAS514P1032-14
1251	OUTBOARD WING ACCESS PANEL	8	NAS517-3-4
1252	JACKING POINT ACCESS PANEL	3	NAS512-3-2
1253	LEADING EDGE ANTI-ICE EXHAUST FAIRING	(*)	
1254	LANDING GEAR TRUNNION ACCESS PANEL	8	AN507C1032R14
1255	INBOARD COVE LIP DOOR		LATCHES
1256	INBOARD COVE LIP DOOR		LATCHES
1257	INBOARD COVE LIP DOOR		LATCHES
1258	INBOARD COVE LIP DOOR		LATCHES
1273	LOWER WING TRAILING EDGE PANEL	52	NAS517-3-4
1300	WING TO FUSELAGE FAIRING ACCESS PANEL	(*)	
1301	LANDING LIGHT ACCESS WINDOW	22	NAS517-3-3
1302	WING LEADING EDGE ACCESS PANEL	116	NAS517-4-5
1303	WING LEADING EDGE ACCESS PANEL	1	NAS517-4-13
1304	WING LEADING EDGE ACCESS PANEL	84	NAS517-4-5
1305	WING LEADING EDGE ACCESS PANEL	85	NAS517-4-5
		91	NAS517-4-5
		5	NAS517-5-13
		96	NAS517-4-5
		5	NAS517-5-13
1306	WING LEADING EDGE ACCESS PANEL	136	NAS517-4-5
1307	FUEL TANK VENT SCOOP ACCESS PANEL	67	BACB30BF3K4
		14	NAS517-4-3
1308	DRY BAY ACCESS PANEL	6	NAS517-3-8
1309	WING LEADING EDGE ACCESS PANEL	75	NAS517-4-5
1310	WING LEADING EDGE ACCESS PANEL	68	NAS517-4-5
1311	WING LEADING EDGE ACCESS PANEL	58	NAS517-4-5
		1	NAS517-3-7
1312	ENGINE CARRY ACCESS PANEL	11	NAS517-3-5
		7	NAS517-4-5
1313	WING LEADING EDGE PANEL ACCESS PANEL	(*)	
1314	WING LEADING EDGE PANEL ACCESS PANEL	(*)	
1315	WING LEADING EDGE PANEL ACCESS PANEL	(*)	
1316	WING LEADING EDGE PANEL ACCESS PANEL	(*)	
1317	WING LEADING EDGE GAP COVER	21	NAS517-3-3
		4	NAS517-4-5
		3	NAS517-4-8
		24	NAS517-3-17
1318	PRODUCTION BREAK GAP COVER	(*)	
1319	BOOST PUMP ACCESS PANEL	(*)	
1320	BOOST PUMP ACCESS PANEL	(*)	
1321	BOOST PUMP ACCESS PANEL	(*)	
1322	BOOST PUMP ACCESS PANEL	(*)	
1323	BOOST PUMP ACCESS PANEL	(*)	
1324	FUEL TANK ACCESS PANEL NO. 1	23	NAS517-4-11
1325	FUEL TANK ACCESS PANEL NO. 2 (DRIPSTICK)	23	NAS517-4-11
1326	FUEL TANK ACCESS PANEL NO. 3	23	NAS517-4-11

10
Oct 15/69

Wing Lower Surface Access Panels
Figure 2 (Sheet 1)

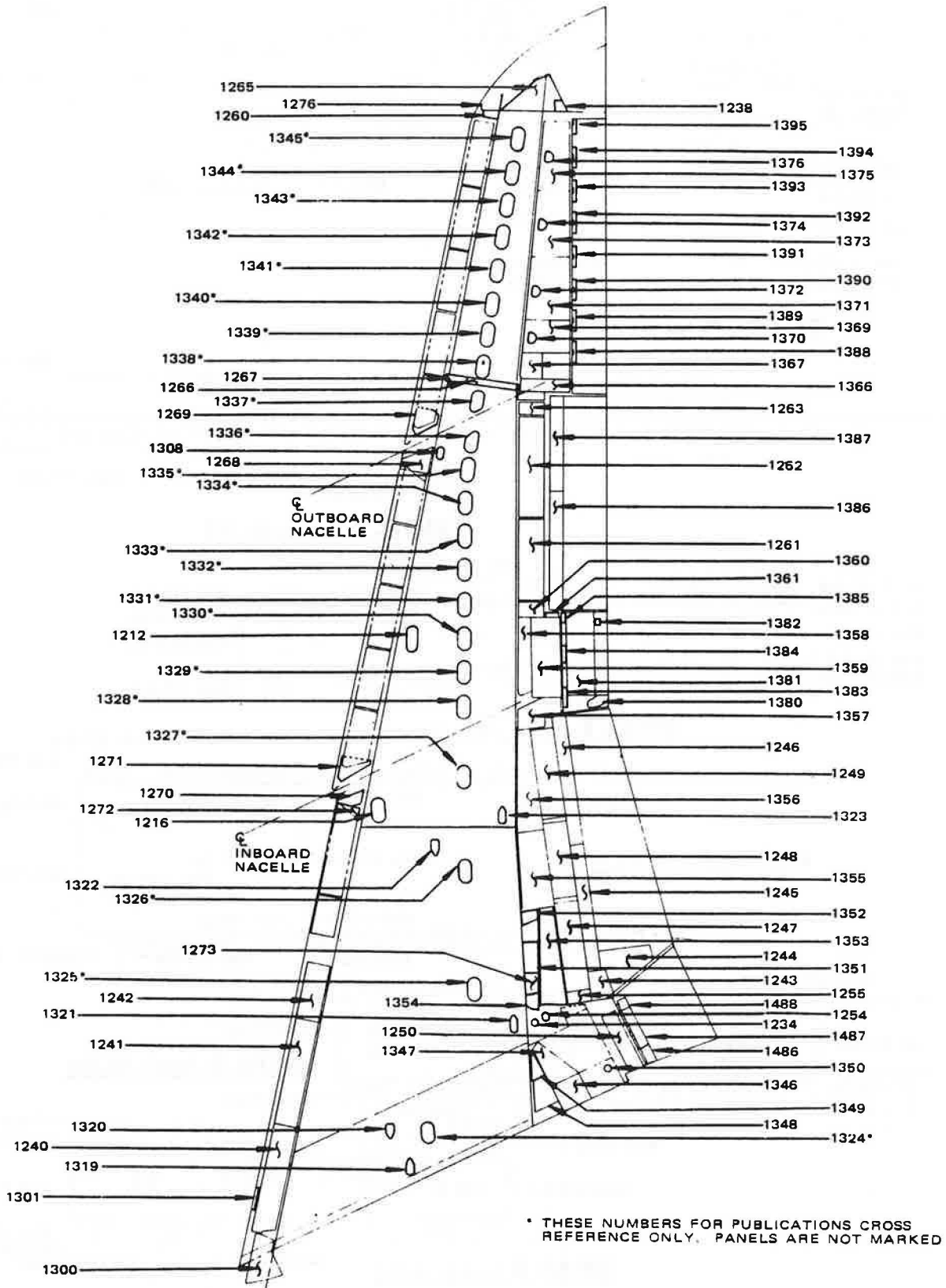
SAB. REV. 17 NOV. 1969

SB. 707/859

12-2-0
Page 7

PANEL NO.	TITLE	FASTENERS
1327	FUEL TANK ACCESS PANEL NO. 4	(23 NAS 517-4-11)
1328	FUEL TANK ACCESS PANEL NO. 5	(23 NAS 517-4-11)
1329	FUEL TANK ACCESS PANEL NO. 6	(23 NAS 517-4-11)
1330	FUEL TANK ACCESS PANEL NO. 7 (DRIP STICK)	(23 NAS 517-4-11)
1331	FUEL TANK ACCESS PANEL NO. 8	(23 NAS 517-4-11)
1332	FUEL TANK ACCESS PANEL NO. 9	(23 NAS 517-4-11)
1333	FUEL TANK ACCESS PANEL NO. 10	(23 NAS 517-4-11)
1334	FUEL TANK ACCESS PANEL NO. 11	(23 NAS 517-4-11)
1335	FUEL TANK ACCESS PANEL NO. 12 (DRIP STICK)	(23 NAS 517-4-11)
1336	FUEL TANK ACCESS PANEL NO. 13	(23 NAS 517-4-11)
1337	FUEL TANK ACCESS PANEL NO. 14	(23 NAS 517-4-11)
1338	FUEL TANK ACCESS PANEL NO. 15	(23 NAS 517-4-11)
1339	FUEL TANK ACCESS PANEL NO. 16	(23 NAS 517-4-11)
1340	FUEL TANK ACCESS PANEL NO. 17	(23 NAS 517-4-11)
1341	FUEL TANK ACCESS PANEL NO. 18	(23 NAS 517-4-11)
1342	FUEL TANK ACCESS PANEL NO. 19	(23 NAS 517-4-11)
1343	FUEL TANK ACCESS PANEL NO. 20 (DRIP STICK)	(23 NAS 517-4-11)
1344	FUEL TANK ACCESS PANEL NO. 21	(23 NAS 517-4-11)
1345	FUEL TANK ACCESS PANEL NO. 22	(23 NAS 517-4-11)
1346	MAIN GEAR ACTUATOR ACCESS PANEL	(*)
1347	MAIN GEAR WALKING BEAM ACCESS PANEL	(*)
1348	HYDRAULIC ACCESS DOOR	(23 NAS 517-3-2, 5 NAS 517-3-2)
1349	HYDRAULIC SUPPLY SHUTOFF VALVE ACCESS PANEL	(15 NAS 517-3-6, 15 NAS 517-3-2)
1350	LANDING GEAR DOOR ACCESS DOOR	(6 NAS 221-8)
1351	FUEL JETTISON CHUTE DOOR	(LATCHED)
1352	FUEL DUMP VALVE ACCESS PANEL	(39 NAS 517-3-4)
1353	LOWER WING TRAILING EDGE PANEL	(192 NAS 517-3-4)
1354		(DETAILED)
1355	LOWER WING TRAILING EDGE PANEL	(154 NAS 517-3-4, 2 NAS 517-3-8)
1356		(DETAILED)
1357	LOWER WING TRAILING EDGE PANEL	(70 NAS 517-3-6, 3 NAS 517-3-9)
1358	TRAILING EDGE PANEL	(35 NAS 517-3-7, 2 NAS 517-4-8)
1359	INBOARD AILERON BALANCE COVER ACCESS PANEL	(51 NAS 517-3-5, 6 NAS 517-4-9, 3 NAS 517-5-20)
1360	INBOARD AILERON CONTROL ACCESS DOOR	(14 NAS 517-3-6, 2 NAS 517-4-8)
1361	AILERON SNUBBER ACCESS PANEL	(7 NAS 517-3-6)
1362	OUTBOARD COVE LIP DOOR	(LATCHES)
1363	OUTBOARD COVE LIP DOOR	(LATCHES)
1364	OUTBOARD COVE LIP DOOR	(LATCHES)
1365	LEADING EDGE ANTI-ICE EXHAUST FAIRING	(*)
1366	OUTBOARD AILERON CONTROL ACCESS PANEL	(23 NAS 517-4-4, 3 NAS 517-4-6, 1 NAS 517-4-8)
1367	OUTBOARD AILERON CONTROL ACCESS PANEL	(25 NAS 517-4-4, 1 NAS 517-4-7)
1368	LEADING EDGE ANTI-ICE EXHAUST FAIRING	(*)
1369	OUTBOARD AILERON BALANCE PANEL COVER	(37 NAS 517-4-6, 1 NAS 517-4-8)
1370	OUTBOARD AILERON BALANCE PANEL ACCESS PANEL	(*)
1371	OUTBOARD AILERON BALANCE PANEL COVER	(52 NAS 517-4-6)
1372	OUTBOARD AILERON BALANCE PANEL ACCESS PANEL	(*)
1373	OUTBOARD AILERON BALANCE PANEL COVER	(47 NAS 517-4-6)
1374	OUTBOARD AILERON BALANCE PANEL ACCESS PANEL	(*)
1375	OUTBOARD AILERON BALANCE PANEL COVER	(44 NAS 517-4-6)
1376	OUTBOARD AILERON BALANCE PANEL ACCESS PANEL	(*)
1377	INBOARD FLAP ACCESS PANEL	(DETAILED)
1378	INBOARD FLAP ACCESS PANEL	(DETAILED)
1379	INBOARD FLAP ACCESS PANEL	(DETAILED)
1380	INBOARD AILERON FAIRING ACCESS PANEL	(7 NAS 517-3-3, 1 NAS 517-3-6)
1381	LOWER INBOARD AILERON ACCESS PANEL	(DETAILED)
1382	LOWER INBOARD AILERON ACCESS PANEL	(7 NAS 517-3-3, 1 NAS 517-3-6)
1383	INBOARD AILERON HINGE ACCESS PANEL	(44 NAS 517-3-3, 1 NAS 1103-4W)
1384	INBOARD AILERON HINGE ACCESS PANEL	(24 NAS 517-3-3, 2 NAS 1103-4W)
1385	INBOARD AILERON HINGE ACCESS PANEL	(21 NAS 517-3-3, 1 NAS 1103-4W)
1386	OUTBOARD FLAP ACCESS PANEL	(DETAILED)
1387	OUTBOARD FLAP ACCESS PANEL	(DETAILED)
1388	OUTBOARD AILERON HINGE ACCESS PANEL	(16 NAS 517-3-2)
1389	OUTBOARD AILERON HINGE ACCESS PANEL	(16 NAS 517-3-2)
1390	OUTBOARD AILERON HINGE ACCESS PANEL	(16 NAS 517-3-2)
1391	OUTBOARD AILERON HINGE ACCESS PANEL	(16 NAS 517-3-2)
1392	OUTBOARD AILERON HINGE ACCESS PANEL	(16 NAS 517-3-2)
1393	OUTBOARD AILERON HINGE ACCESS PANEL	(16 NAS 517-3-2)
1394	OUTBOARD AILERON HINGE ACCESS PANEL	(16 NAS 517-3-2)
1395	OUTBOARD AILERON HINGE ACCESS PANEL	(10 NAS 517-3-2)
1396	INBOARD STRUT LEADING EDGE GAP COVER	(*)
1397	INBOARD STRUT LEADING EDGE GAP COVER	(*)
1398	OUTBOARD STRUT LEADING EDGE GAP COVER	(*)
1399	OUTBOARD STRUT LEADING EDGE GAP COVER	(*)

* QUICK RELEASE FASTENERS



Wing Lower Surface Access Panels
Figure 2 (Sheet 4)

EFFECTIVITY
TURBOFAN



MAINTENANCE MANUAL

PANEL NO.	TITLE	FASTENERS	
		QTY.	TYPE
1212	PRESSURE FUELING DRY BAY ACCESS DOOR		(LATCHES)
1216	INBOARD DRY BAY ACCESS PANEL	(*)	
1234	LANDING GEAR TORQUE BOX ACCESS DOOR	4	NAS514P1032-14
1238	WING TIP ACCESS PANEL	11	BACB30BF3K5
1240	WING LEADING EDGE ACCESS PANEL	93	NAS517-4-5
1241	WING LEADING EDGE ACCESS PANEL	94	NAS517-4-5
1242	WING LEADING EDGE ACCESS PANEL	57	NAS517-4-5
1243	ACCESS PANEL		(DETAILED)
1244	ACCESS PANEL		(DETAILED)
1245	ACCESS PANEL		(DETAILED)
1246	ACCESS PANEL		(DETAILED)
1247	COVE LIP DOOR		(DETAILED)
1248	COVE LIP DOOR		(DETAILED)
1249	COVE LIP DOOR		(DETAILED)
1250	COVE LIP DOOR		(DETAILED)
1254	LANDING GEAR TRUNNION ACCESS PANEL	8	AN507C1032R14
1255	INBOARD COVE LIP DOOR		(LATCHES)
1260	WING LEADING EDGE ACCESS DOOR	11	NAS1503-2 OR NAS333CPA4
		4	NAS1504-7 OR NAS334CPA7
1261	COVE LIP DOOR		(DETAILED)
1262	COVE LIP DOOR		(DETAILED)
1263	COVE LIP DOOR		(DETAILED)
1265	FUEL VENT SCOOP PANEL		(DETAILED)
1266	GAP COVER		(DETAILED)
1267	JACKPOINT COVER		(DETAILED)
1268	OUTBOARD STRUT LEADING EDGE GAP COVER	(*)	
1269	OUTBOARD STRUT LEADING EDGE GAP COVER	(*)	
1270	INBOARD STRUT LEADING EDGE GAP COVER	(*)	
1271	INBOARD STRUT LEADING EDGE GAP COVER	(*)	
1272	ACCESS PANEL	(*)	
1273	LOWER WING TRAILING EDGE PANEL	52	NAS517-3-4
1276	ACCESS DOOR		
1300	WING TO FUSELAGE FAIRING ACCESS PANEL	(*)	
1301	LANDING LIGHT ACCESS WINDOW	22	NAS517-3-3
1308	DRY BAY ACCESS PANEL	6	NAS517-3-8
1319	BOOST PUMP ACCESS PANEL	(*)	
1320	BOOST PUMP ACCESS PANEL	(*)	
1321	BOOST PUMP ACCESS PANEL	(*)	
1322	BOOST PUMP ACCESS PANEL	(*)	
1323	BOOST PUMP ACCESS PANEL	(*)	
1324	FUEL TANK ACCESS PANEL NO. 1	23	NAS517-4-11
1325	FUEL TANK ACCESS PANEL NO. 2 (DRIP STICK)	23	NAS517-4-11
1326	FUEL TANK ACCESS PANEL NO. 3	23	NAS517-4-11
	(*) QUICK-RELEASE FASTENERS		



EFFECTIVITY
TURBOFAN

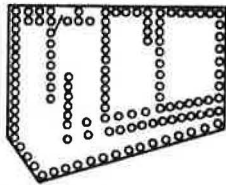
MAINTENANCE MANUAL

PANEL NO.	TITLE	FASTENERS
1327	FUEL TANK ACCESS PANEL NO. 4	(23 NAS 517-4-11)
1328	FUEL TANK ACCESS PANEL NO. 5	(23 NAS 517-4-11)
1329	FUEL TANK ACCESS PANEL NO. 6	(23 NAS 517-4-11)
1330	FUEL TANK ACCESS PANEL NO. 7 (DRIP STICK)	(23 NAS 517-4-11)
1331	FUEL TANK ACCESS PANEL NO. 8	(23 NAS 517-4-11)
1332	FUEL TANK ACCESS PANEL NO. 9	(23 NAS 517-4-11)
1333	FUEL TANK ACCESS PANEL NO. 10	(23 NAS 517-4-11)
1334	FUEL TANK ACCESS PANEL NO. 11	(23 NAS 517-4-11)
1335	FUEL TANK ACCESS PANEL NO. 12 (DRIP STICK)	(23 NAS 517-4-11)
1336	FUEL TANK ACCESS PANEL NO. 13	(23 NAS 517-4-11)
1337	FUEL TANK ACCESS PANEL NO. 14	(23 NAS 517-4-11)
1338	FUEL TANK ACCESS PANEL NO. 15	(23 NAS 517-4-11)
1339	FUEL TANK ACCESS PANEL NO. 16	(23 NAS 517-4-11)
1340	FUEL TANK ACCESS PANEL NO. 17	(23 NAS 517-4-11)
1341	FUEL TANK ACCESS PANEL NO. 18	(23 NAS 517-4-11)
1342	FUEL TANK ACCESS PANEL NO. 19	(23 NAS 517-4-11)
1343	FUEL TANK ACCESS PANEL NO. 20 (DRIP STICK)	(23 NAS 517-4-11)
1344	FUEL TANK ACCESS PANEL NO. 21	(23 NAS 517-4-11)
1345	FUEL TANK ACCESS PANEL NO. 22	(23 NAS 517-4-11)
1346	MAIN GEAR ACTUATOR ACCESS PANEL	(*)
1347	MAIN GEAR WALKING BEAM ACCESS PANEL	(*)
1348	HYDRAULIC ACCESS DOOR	(23 NAS 517-3-2, 5 NAS 517-3-2)
1349	HYDRAULIC SUPPLY SHUTOFF VALVE ACCESS PANEL	(15 NAS 517-3-6, 15 NAS 517-3-2)
1350	LANDING GEAR DOOR ACCESS DOOR	(6 NAS 221-8)
1351	FUEL JETTISON CHUTE DOOR	(LATCHED)
1352	FUEL DUMP VALVE ACCESS PANEL	(39 NAS 517-3-4)
1353	LOWER WING TRAILING EDGE PANEL	(192 NAS 517-3-4)
1354		(DETAILED)
1355	LOWER WING TRAILING EDGE PANEL	(154 NAS 517-4-3, 2 NAS 517-3-8)
1356		(DETAILED)
1357	LOWER WING TRAILING EDGE PANEL	(70 NAS 517-3-6, 3 NAS 517-3-9)
1358	TRAILING EDGE PANEL	(35 NAS 517-3-7, 3 NAS 517-4-8)
1359	INBOARD AILERON BALANCE COVER ACCESS PANEL	(51 NAS 517-3-5, 6 NAS 517-4-9, 3 NAS 517-5-20)
1360	INBOARD AILERON CONTROL ACCESS DOOR	(14 NAS 517-3-6, 2 NAS 517-4-8)
1361	AILERON SNUBBER ACCESS PANEL	(7 NAS 517-3-6)
1366	OUTBOARD AILERON CONTROL ACCESS PANEL	(23 NAS 517-4-4, 3 NAS 517-4-6, 1 NAS 517-4-8)
1367	OUTBOARD AILERON CONTROL ACCESS PANEL	(25 NAS 517-4-4, 1 NAS 517-4-7)
1369	OUTBOARD AILERON BALANCE PANEL COVER	(37 NAS 517-4-6, 1 NAS 517-4-8)
1370	OUTBOARD AILERON BALANCE PANEL ACCESS PANEL	(*)
1371	OUTBOARD AILERON BALANCE PANEL COVER	(52 NAS 517-4-6)
1372	OUTBOARD AILERON BALANCE PANEL ACCESS PANEL	(*)
1373	OUTBOARD AILERON BALANCE PANEL COVER	(47 NAS 517-4-6)
1374	OUTBOARD AILERON BALANCE PANEL ACCESS PANEL	(*)
1375	OUTBOARD AILERON BALANCE PANEL COVER	(44 NAS 517-4-6)
1376	OUTBOARD AILERON BALANCE PANEL ACCESS PANEL	(*)
1380	INBOARD AILERON FAIRING ACCESS PANEL	(7 NAS 517-3-3, 1 NAS 517-3-6)
1381	LOWER INBOARD AILERON ACCESS PANEL	(DETAILED)
1382	LOWER INBOARD AILERON ACCESS PANEL	(7 NAS 517-3-3, 1 NAS 517-3-6)
1383	INBOARD AILERON HINGE ACCESS PANEL	(44 NAS 517-3-3, 1 NAS 1103-4W)
1384	INBOARD AILERON HINGE ACCESS PANEL	(24 NAS 517-3-3, 2 NAS 1103-4W)
1384.5	INBOARD AILERON HINGE ACCESS PANEL	(21 NAS 517-3-3, 1 NAS 1103-4W)
1386	OUTBOARD FLAP ACCESS PANEL	(DETAILED)
1387	OUTBOARD FLAP ACCESS PANEL	(DETAILED)
1388	OUTBOARD AILERON HINGE ACCESS PANEL	(16 NAS 517-3-2)
1389	OUTBOARD AILERON HINGE ACCESS PANEL	(16 NAS 517-3-2)
1390	OUTBOARD AILERON HINGE ACCESS PANEL	(16 NAS 517-3-2)
1391	OUTBOARD AILERON HINGE ACCESS PANEL	(16 NAS 517-3-2)
1392	OUTBOARD AILERON HINGE ACCESS PANEL	(16 NAS 517-3-2)
1393	OUTBOARD AILERON HINGE ACCESS PANEL	(16 NAS 517-3-2)
1394	OUTBOARD AILERON HINGE ACCESS PANEL	(16 NAS 517-3-2)
1395	OUTBOARD AILERON HINGE ACCESS PANEL	(10 NAS 517-3-2)
1396	INBOARD STRUT LEADING EDGE GAP COVER	(*)
1397	INBOARD STRUT LEADING EDGE GAP COVER	(*)
1398	OUTBOARD STRUT LEADING EDGE GAP COVER	(*)
1399	OUTBOARD STRUT LEADING EDGE GAP COVER	(*)
1486	FILLET FLAP ACCESS PANEL	(48 NAS 333CPA7-5)
1487	FILLET FLAP ACCESS PANEL	(90 NAS 517-3-5)
1488	FILLET FLAP ACCESS PANEL	(27 NAS 333CPA6-5)

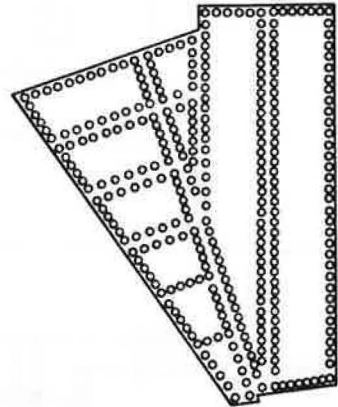
* QUICK RELEASE FASTENERS

EFFECTIVITY

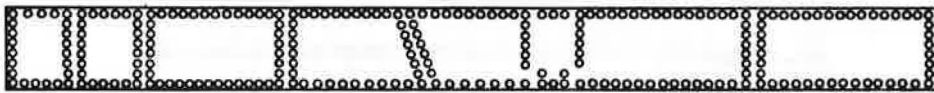
TURBOFAN



DETAIL A PANEL NO. 1243
(ALL FASTENERS ARE NAS 517-3-5)



DETAIL B PANEL NO. 1244
(ALL FASTENERS ARE NAS 517-3-7)

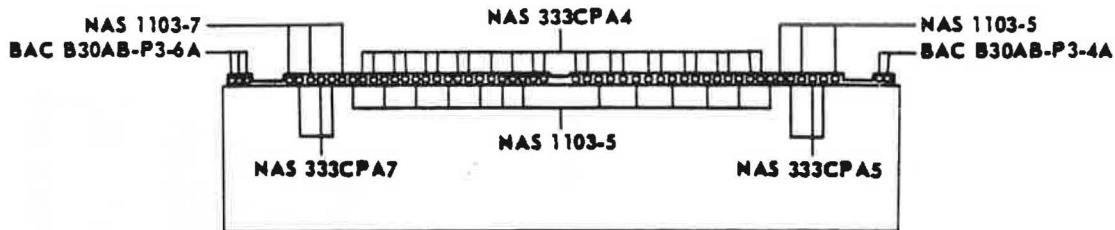


DETAIL C PANEL NO. 1245
(ALL FASTENERS ARE NAS 517-3-7)

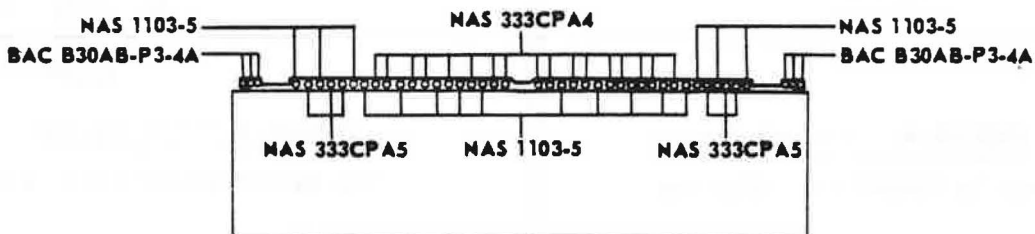


DETAIL D PANEL NO. 1246
(ALL FASTENERS ARE NAS 517-3-5 EXCEPT AS NOTED)

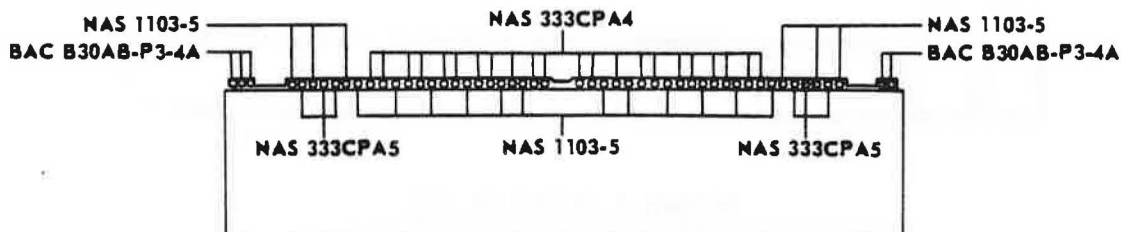
● NAS 517-4-10



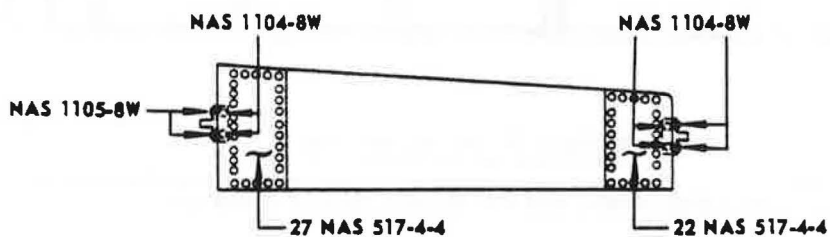
DETAIL N PANEL NO. 1247



DETAIL O PANEL NO. 1248



DETAIL P PANEL NO. 1249



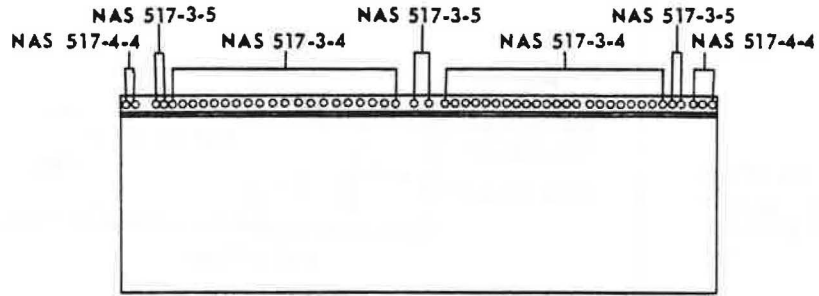
DETAIL Q PANEL 1250

EFFECTIVITY

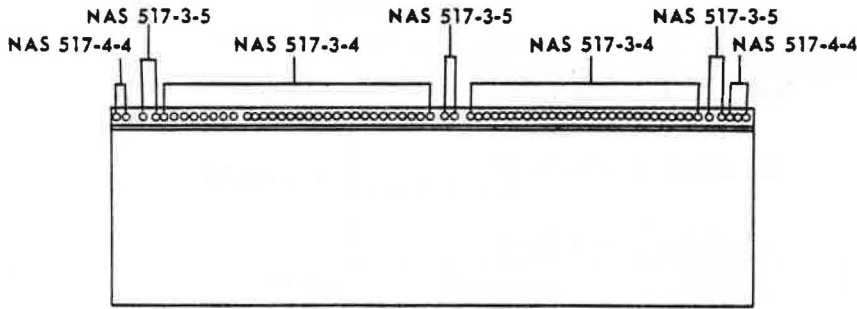
TURBOFAN



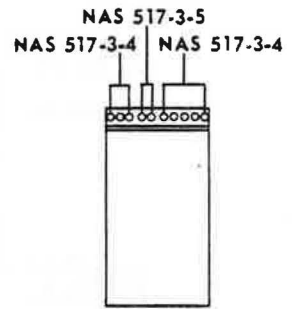
MAINTENANCE MANUAL



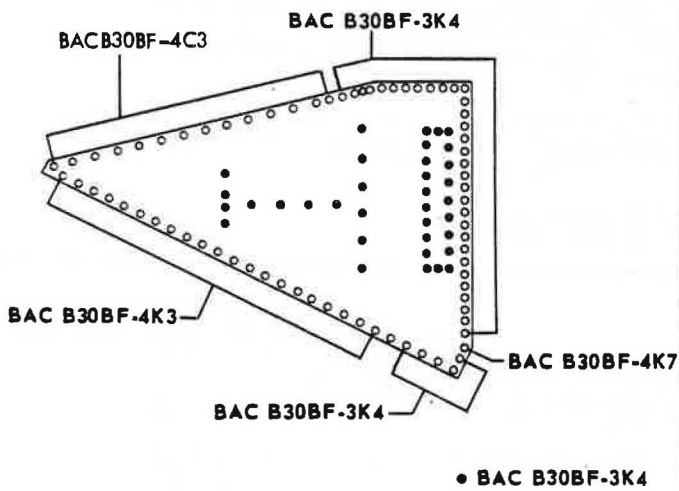
DETAIL R PANEL NO. 1261



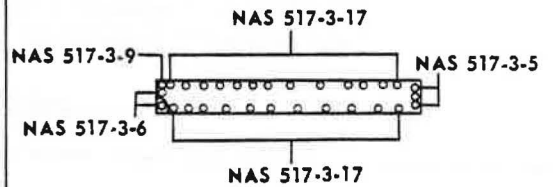
DETAIL S PANEL NO. 1262



DETAIL T PANEL NO. 1263



DETAIL U PANEL NO. 1265

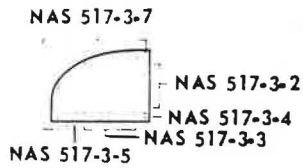


DETAIL V PANELS NO. 1266 AND 1267

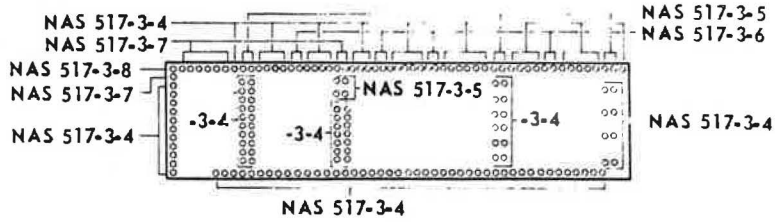
0
Aug 15/66

Wing Lower Surface Access Panels
Figure 2 (Sheet 9)

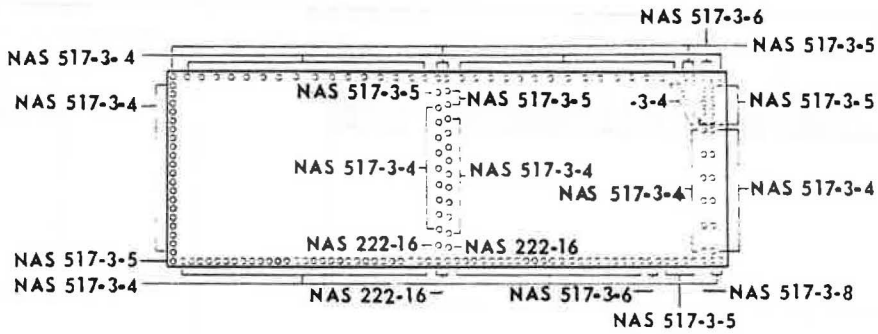
12-2-0
Page 15



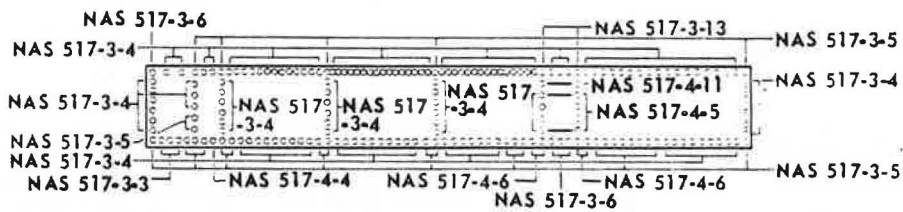
DETAIL W PANEL NO. 1354



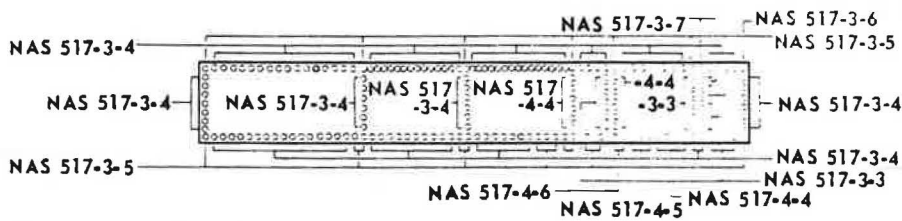
DETAIL X PANEL NO. 1356



DETAIL Y PANEL NO. 1381

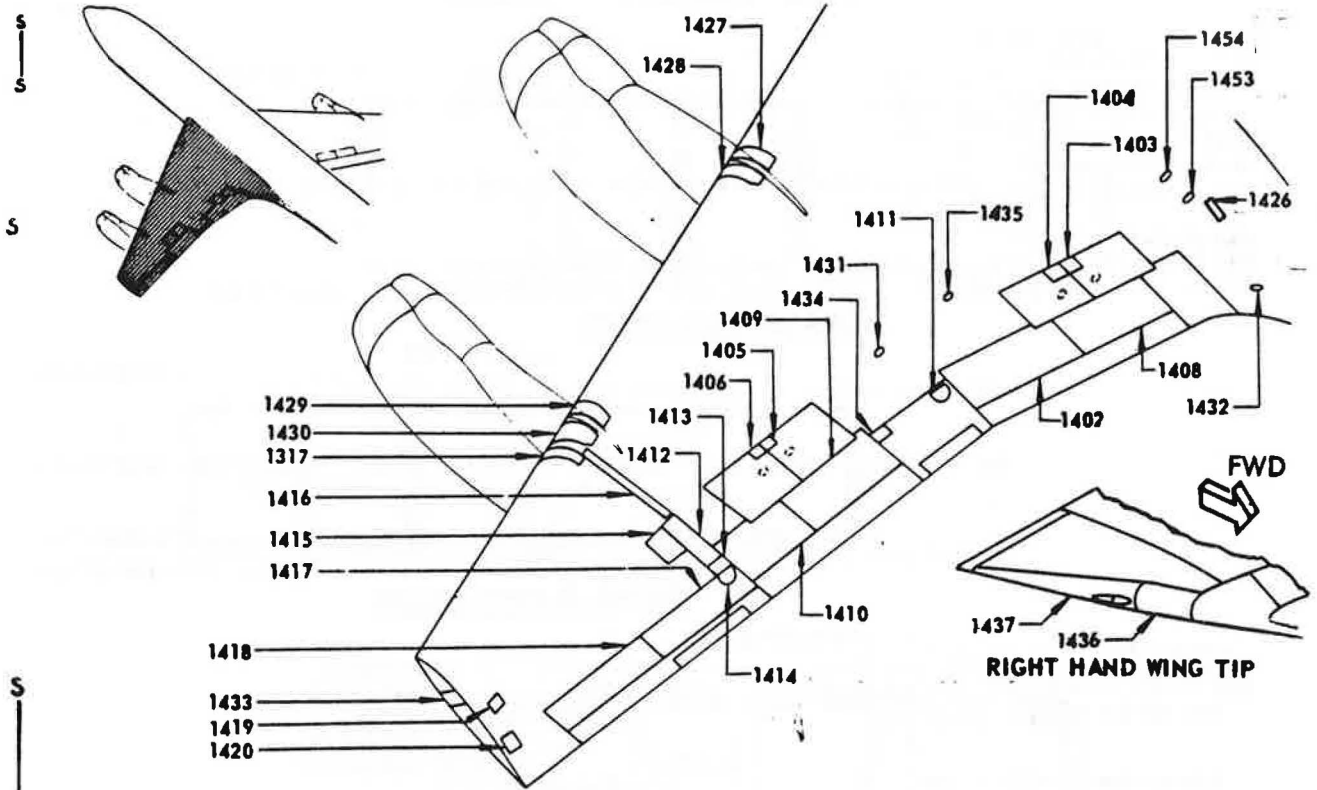


DETAIL Z PANEL NO. 1386



DETAIL AA PANEL NO. 1387

MAINTENANCE MANUAL



PANEL NO.	TITLE	FASTENERS
1402	INBOARD FLAP ACCESS PANEL	(DETAILED)
1403	INBOARD SPOILER ACCESS PANEL	(35 NAS 1103-5W, 4 NAS 1104-5W)
1404	INBOARD SPOILER ACCESS PANEL	(35 NAS 1103-5W, 4 NAS 1104-5W)
1405	OUTBOARD SPOILER ACCESS PANEL	(35 NAS 464P3A5, 4 NAS 464P4A5)
1406	OUTBOARD SPOILER ACCESS PANEL	(35 NAS 464P3A5, 4 NAS 464P4A5)
1408	INBOARD FLAP ACCESS PANEL	(DETAILED)
1409	OUTBOARD FLAP ACCESS PANEL	(DETAILED)
1410	OUTBOARD FLAP ACCESS PANEL	(DETAILED)
1411	INBOARD AILERON MAST FAIRING	(8 NAS 517-3-3)
1412	OUTBOARD AILERON CONTROL ACCESS PANEL	(28 NAS 514P428-16)
1413	OUTBOARD AILERON MAST FAIRING	(13 NAS 514P428-10)
1414	OUTBOARD AILERON CONTROL MAST FAIRING	(5 NAS 514P1032-12)
1415	OUTBOARD AILERON CONTROL ACCESS PANEL	(28 NAS 517-4-2)
1416	PRODUCTION BREAK GAP COVER	(24 NAS 517-3-14)
1417	OUTBOARD AILERON ACCESS PANEL	(DETAILED)
1418	OUTBOARD AILERON ACCESS PANEL	(DETAILED)
1419	RAM AIR DUCT ACCESS PANEL	(10 BAC B30BF-3K2)
1420	WING TIP ACCESS PANEL	(17 BAC B30BF-3K2)
1426	UPPER WING PANEL ACCESS DOOR	(4 NAS 333-PA4)
1427	INBOARD STRUT LEADING EDGE GAP COVER	(*)
1428	INBOARD STRUT LEADING EDGE GAP COVER	(*)
1429	OUTBOARD STRUT LEADING EDGE GAP COVER	(*)
1430	OUTBOARD STRUT LEADING EDGE GAP COVER	(*)
1431	(FORWARD OF INBOARD AILERON) INSPECTION PANEL	(16 NAS 517-3-5)
1432	FILLET FLAP ACCESS PANEL	(4 NAS 514P1032-7)
1433	WING TIP COMPASS ACCESS PANEL	(14 BAC B30BF-3K2)
1434	INBOARD AILERON SNUBBER ATTACH BOLT ACCESS PANEL	(7 NAS 517-3-4)
1435	AILERON QUADRANT PIN ACCESS PANEL	(3 NAS 517-3-1)
1436	WING TIP ANTENNA ACCESS PANEL	(16 NAS 517-3-1, 2 NAS 517-3-6)
1437	WING TIP CAP	(89 AN 507-DD832-10)
1453	LANDING GEAR TORQUE BOX ACCESS DOOR	(4 NAS 514P1032-16)
1454	LANDING GEAR TORQUE BOX ACCESS DOOR	(4 NAS 514P1032-16)

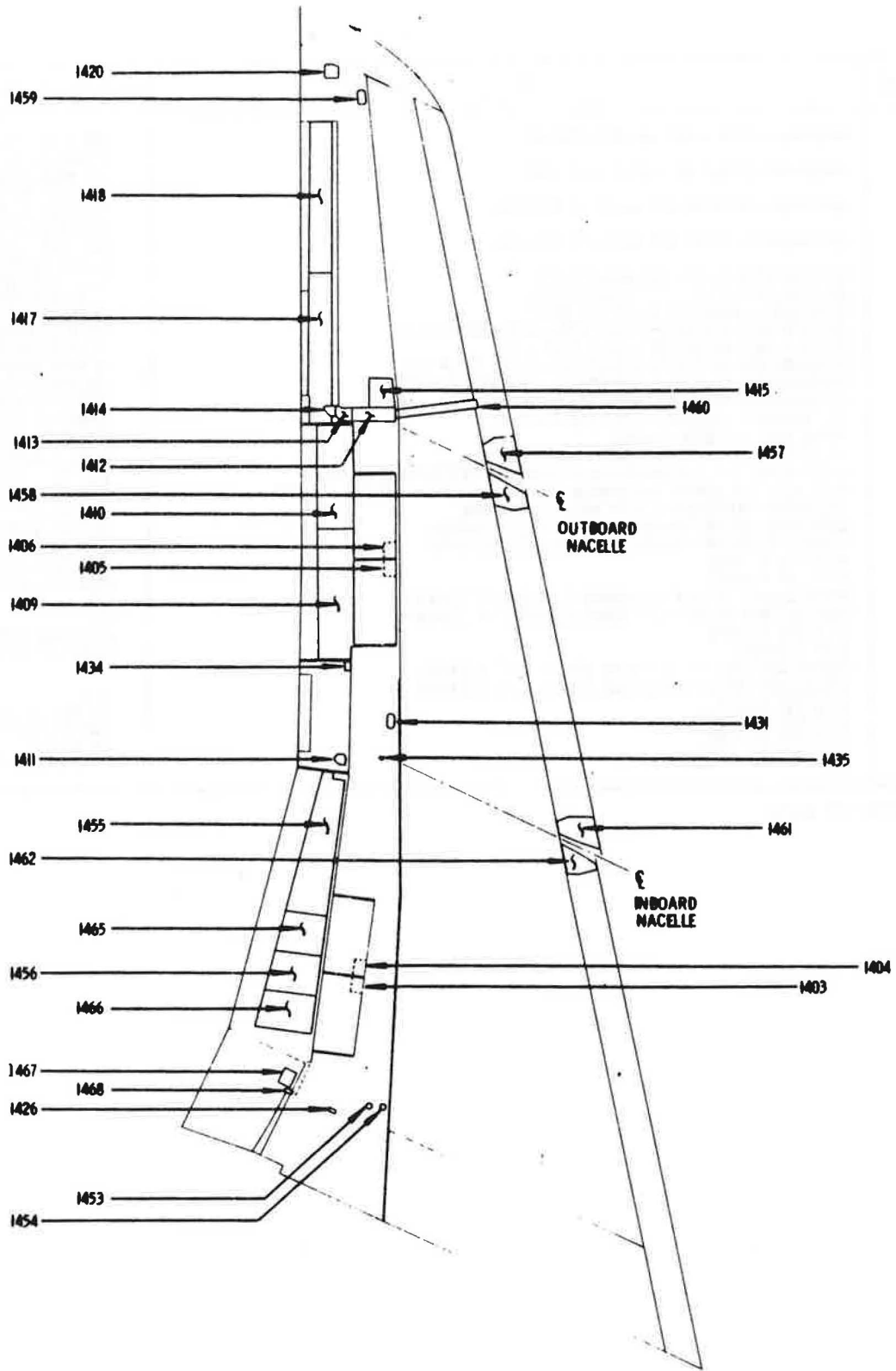
* QUICK RELEASE FASTENERS

13
Aug 15/65

Wing Upper Surface Access Panels
Figure 3 (Sheet 1 of 6)

12-2-0
Page 17

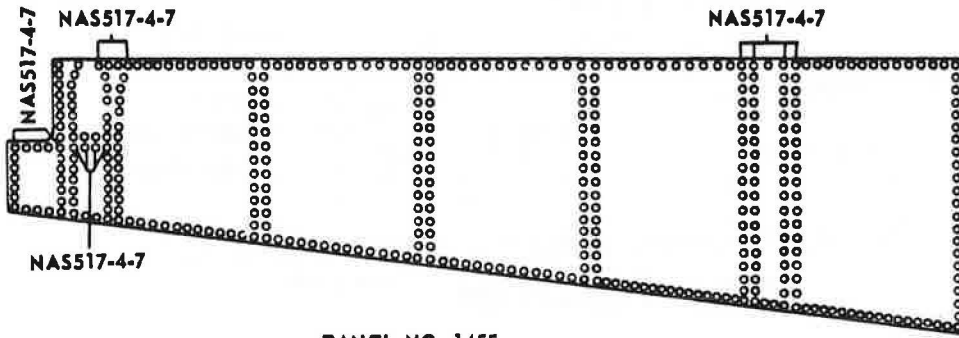
SAB. REV. 7 JUL 1966



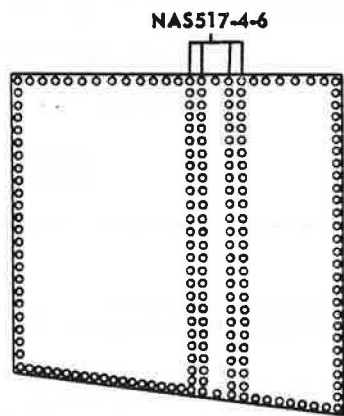
PANEL NO.	TITLE	FASTENERS
1403	INBOARD SPOILER ACCESS PANEL	(35 NAS 1103-5W, 4 NAS 1104-5W)
1404	INBOARD SPOILER ACCESS PANEL	(35 NAS 1103-5W, 4 NAS 1104-5W)
1405	OUTBOARD SPOILER ACCESS PANEL	(35 NAS 464P3A5, 4 NAS 464P4A5)
1406	OUTBOARD SPOILER ACCESS PANEL	(35 NAS 464P3A5, 4 NAS 464P4A5)
1409	OUTBOARD FLAP ACCESS PANEL	(DETAILED)
1410	OUTBOARD FLAP ACCESS PANEL	(DETAILED)
1411	INBOARD AILERON MAST FAIRING	(8 NAS 517-3-3)
1412	OUTBOARD AILERON CONTROL ACCESS PANEL	(28 NAS 514P428-16)
1413	OUTBOARD AILERON MAST FAIRING	(13 NAS 514P428-10)
1414	OUTBOARD AILERON CONTROL MAST FAIRING	(5 NAS 514P1032-12)
1415	OUTBOARD AILERON CONTROL ACCESS PANEL	(28 NAS 517-4-2)
1417	OUTBOARD AILERON ACCESS PANEL	(DETAILED)
1418	OUTBOARD AILERON ACCESS PANEL	(DETAILED)
1420	WING TIP ACCESS PANEL	(17 BAC B30BF-3K2)
1426	UPPER WING PANEL ACCESS DOOR	(4 NAS 333-PA4)
1431	(FORWARD OF INBOARD AILERON) INSPECTION PANEL	(16 NAS 517-3-5)
1434	INBOARD AILERON SHUBBER ATTACH BOLT ACCESS PANEL	(7 NAS 517-3-4)
1435	AILERON QUADRANT PIN ACCESS PANEL	(3 NAS 517-3-1)
1453	LANDING GEAR TORQUE BOX ACCESS DOOR	(4 NAS 514P1032-16)
1454	LANDING GEAR TORQUE BOX ACCESS DOOR	(4 NAS 514P1032-12)
1455	ACCESS PANEL	(DETAILED)
1456	ACCESS PANEL	(DETAILED)
1457	OUTBOARD STRUT LEADING EDGE GAP COVER	(*)
1458	OUTBOARD STRUT LEADING EDGE GAP COVER	(*)
1459	ACCESS PANEL	(12 BAC B30BF-3K2)
1460	GAP COVER	(DETAILED)
1461	INBOARD STRUT LEADING EDGE GAP COVER	(*)
1462	INBOARD STRUT LEADING EDGE GAP COVER	(*)
1465	ACCESS PANEL	76 NAS517-3-5
1466	ACCESS PANEL	162 NAS517-3-5
1467	ACCESS PANEL	17 NAS517-3-3
1468	ACCESS PANEL	17 NAS517-3-4

(*) QUICK RELEASE

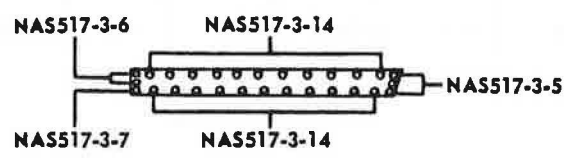
MAINTENANCE MANUAL



PANEL NO. 1455
(ALL FASTENERS ARE NAS517-3-5 EXCEPT AS NOTED)
DETAIL E



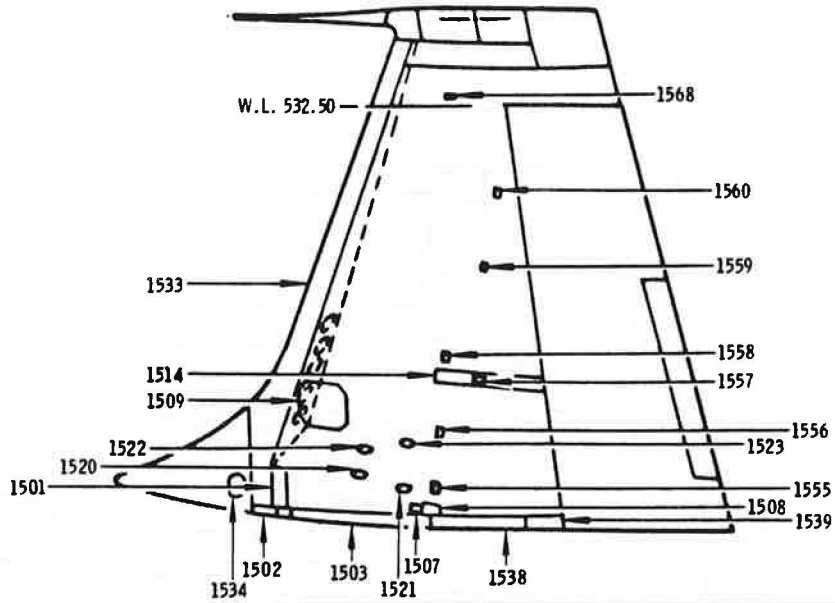
PANEL NO. 1456
(ALL FASTENERS ARE NAS517-3-5 EXCEPT AS NOTED)
DETAIL F



PANEL NO. 1460
DETAIL G

Wing Upper Surface Access Panels
Figure 3 (Sheet 6)

MAINTENANCE MANUAL

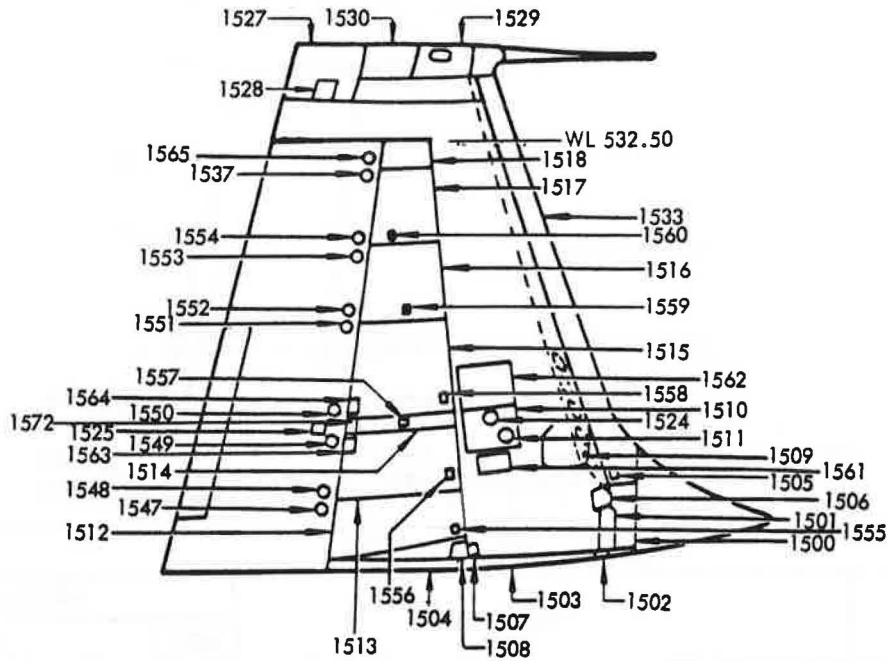


PANEL NO.	TITLE	FASTENERS	
		QTY	TYPE
1500	SKIN PANEL	74	NASS17-3-4
1501	LOWER FAIRING SKIN PANEL	37	NASS17-3-4
1502	FIN TO FUSELAGE FORWARD FAIRING	9	NASS17-3-2
1503	FIN TO FUSELAGE MIDFAIRING	29	NASS17-3-4
1504	FIN TO FUSELAGE AFT FAIRING	25	NASS17-3-4
		3	NASS17-4-7
1505	FIN LEADING EDGE ACCESS PANEL	20	NASS17-3-1
1506	FRONT SPAR ACCESS PANEL	44	NASS17-3-4
1507	REAR SPAR ACCESS PANEL	39	NASS17-3-6
1508	REAR SPAR ACCESS PANEL	30	NASS17-3-6
1509	ANTENNA PANEL	37	NASS17-3-9
		47	NASS16-4-6
		2	NASS17-4-7
1510	RUDDER TAB CONTROL QUADRANT ACCESS PANEL	87	NASS17-4-8
1511	ON 1510 RUDDER CONTROL QUADRANT ACCESS PANEL	3	NASS17-3-1
1512	RUDDER BALANCE BAY ACCESS PANEL	25	NASS17-3-3
		96	NASS17-4-6
		3	NASS17-5-9
1513	RUDDER BALANCE BAY ACCESS PANEL	85	NASS17-4-4
		31	NASS17-3-3
		1	NASS17-5-8
1514	LEFT RUDDER TAB CONTROL ACCESS PANEL	5	NASS17-3-2
		47	NASS17-4-4
1514	RIGHT RUDDER TAB CONTROL ACCESS PANEL		DETAILED
1515	RUDDER BALANCE BAY ACCESS PANEL	30	NASS17-3-3
		54	NASS17-4-4
		1	NASS17-5-7
1516	RUDDER BALANCE BAY ACCESS PANEL	51	NASS17-3-4
		30	NASS17-4-7
1517	RUDDER BALANCE BAY ACCESS PANEL	49	NASS17-3-4
		24	NASS17-4-7
1518	RUDDER HINGE SKIN PANEL	31	NASS17-3-5
1520	FIN INTERSPAR ACCESS PANEL	46	NASS17-3-2
1521	FIN INTERSPAR ACCESS PANEL	46	NASS17-3-2
1522	FIN INTERSPAR ACCESS PANEL	46	NASS17-3-2
1523	FIN INTERSPAR ACCESS PANEL	46	NASS17-3-2
1524	RUDDER CONTROL QUADRANT ACCESS PANEL		(*)
1525	RUDDER CONTROL TAB ROD AND BELLCRANK ACCESS PANEL	8	NASS17-3-2
1527	LORAN ANTENNA ACCESS PANEL	108	NASS17-3-4
1528	LORAN DISCONNECT ACCESS PANEL	16	NASS17-3-4
1529	FIN TIP LIGHTNING ARRESTER ACCESS PANEL	41	NASS17-3-4

10
Dec 15/64

Fin and Rudder Access Panels
Figure 4 (Sheet 1)

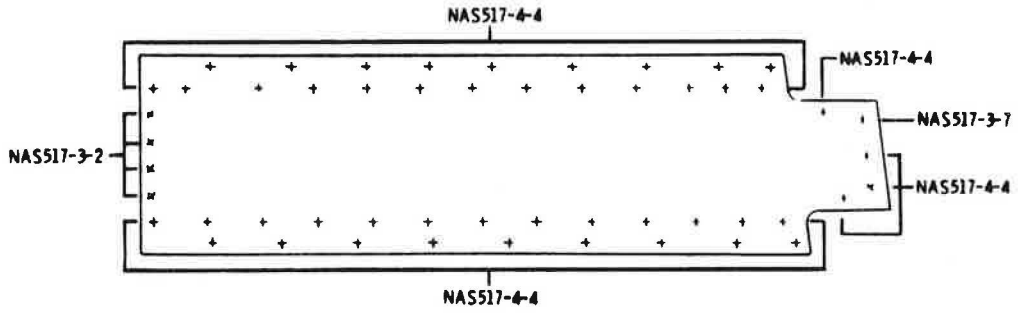
MAINTENANCE MANUAL



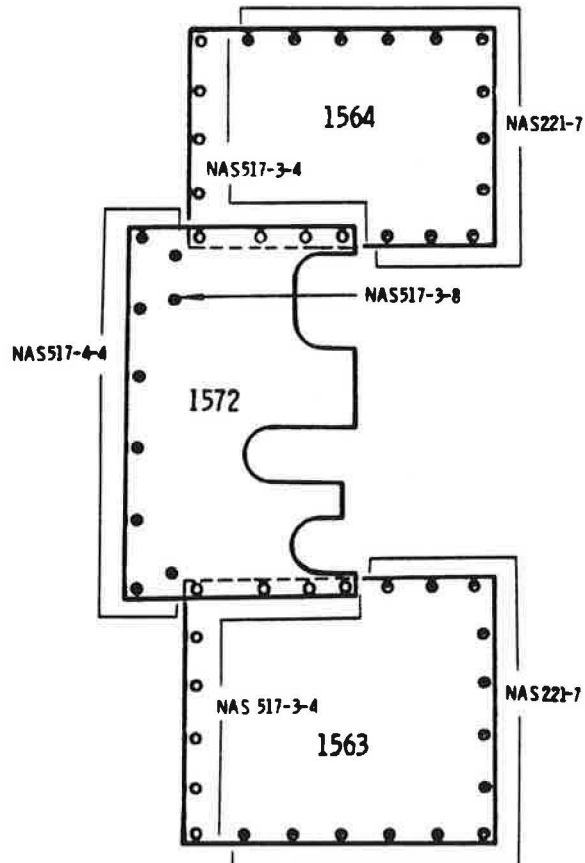
PANEL NO.	TITLE	FASTENERS	
		QTY	TYPE
1530	HIGH FREQUENCY ANTENNA COUPLER ACCESS DOOR	22	NAS517-3-4
1531	HIGH FREQUENCY ANTENNA COUPLER PANEL	32	NAS517-3-4
1532	LORAN COUPLER ACCESS PANEL	17	NAS517-3-4
1533	FIN LEADING EDGE	208	NAS517-6-7
		4	NAS517-4-10
1534	DORSAL FIN ACCESS PANEL	23	NAS517-3-0
1537	INSPECTION PANEL	6	NAS514P1032-8
1538	FIN TO FUSELAGE AFT FAIRING	20	NAS517-3-4
		4	NAS517-3-2
1539	FIN TO FUSELAGE AFT FAIRING	6	NAS517-3-2
		3	NAS517-3-4
		3	NAS517-4-7
1547	INSPECTION PANEL	6	NAS514P1032-8
1548	INSPECTION PANEL	6	NAS514P1032-8
1549	INSPECTION PANEL	6	NAS514P1032-8
1550	INSPECTION PANEL	6	NAS514P1032-8
1551	INSPECTION PANEL	6	NAS514P1032-8
1552	INSPECTION PANEL	6	NAS514P1032-8
1553	INSPECTION PANEL	6	NAS514P1032-8
1554	INSPECTION PANEL	6	NAS514P1032-8
1555	INSPECTION PANEL	6	NAS517-3-0
1556	INSPECTION PANEL	6	NAS517-3-0
1557	INSPECTION PANEL	4	NAS517-3-0
1558	INSPECTION PANEL	6	NAS517-3-0
1559	INSPECTION PANEL	6	NAS517-3-0
1560	INSPECTION PANEL	6	NAS517-3-0
1561	RUDDER TRIM SCREW INSPECTION PANEL	36	NAS517-4-8
1562	RUDDER Q-SPRING ACCESS PANEL	83	NAS517-4-8
1563	RUDDER HINGE ACCESS PANEL		DETAILED
1564	RUDDER HINGE ACCESS DOOR		DETAILED
1565	INSPECTION PANEL	6	NAS514P1032-8
1568	ACCESS PANEL	17	NAS517-3-2
1572	RUDDER NOSE FAIRING		DETAILED

Fin and Rudder Access Panels
Figure 4 (Sheet 2)

10
Oct 15/67



DETAIL A PANEL NO. 1514 (RIGHT)



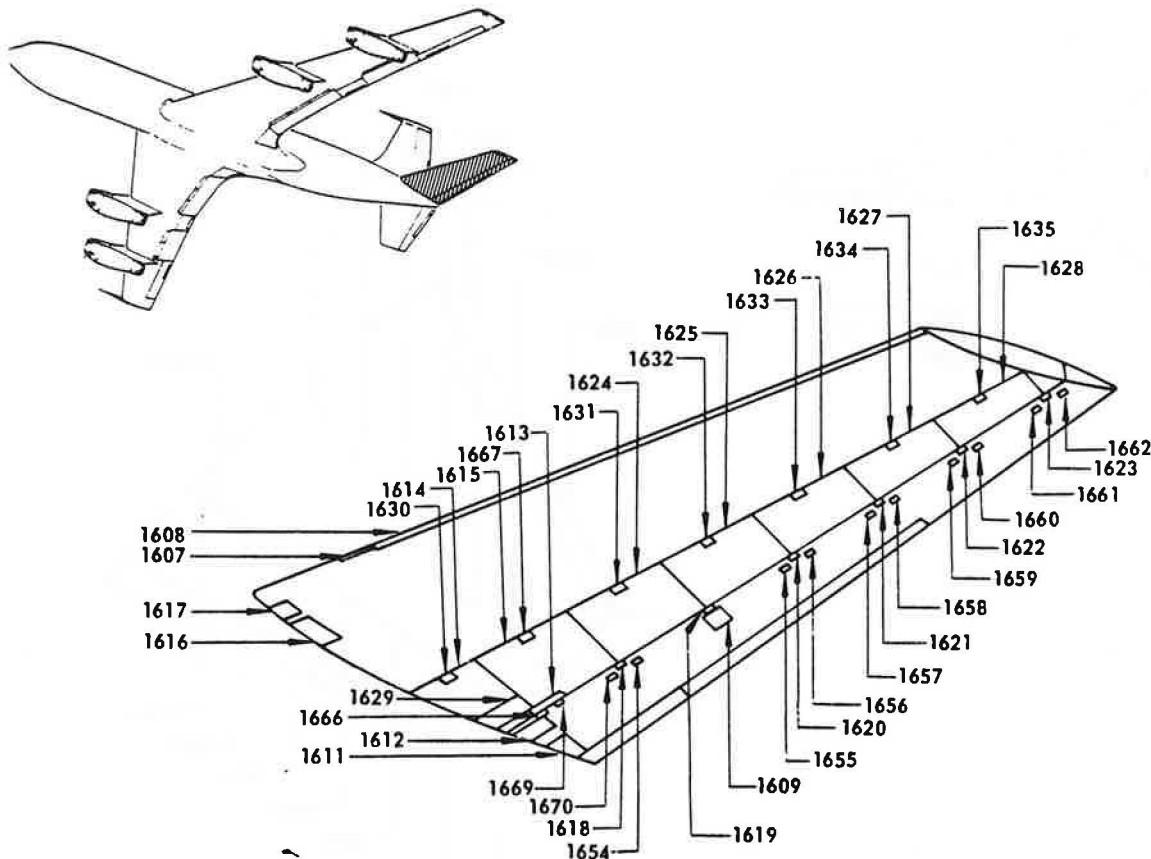
DETAIL B

6
Aug 15/65

Fin and Rudder Access Panels
Figure 4 (Sheet 3)

12-2-0
Page 24A


MAINTENANCE MANUAL



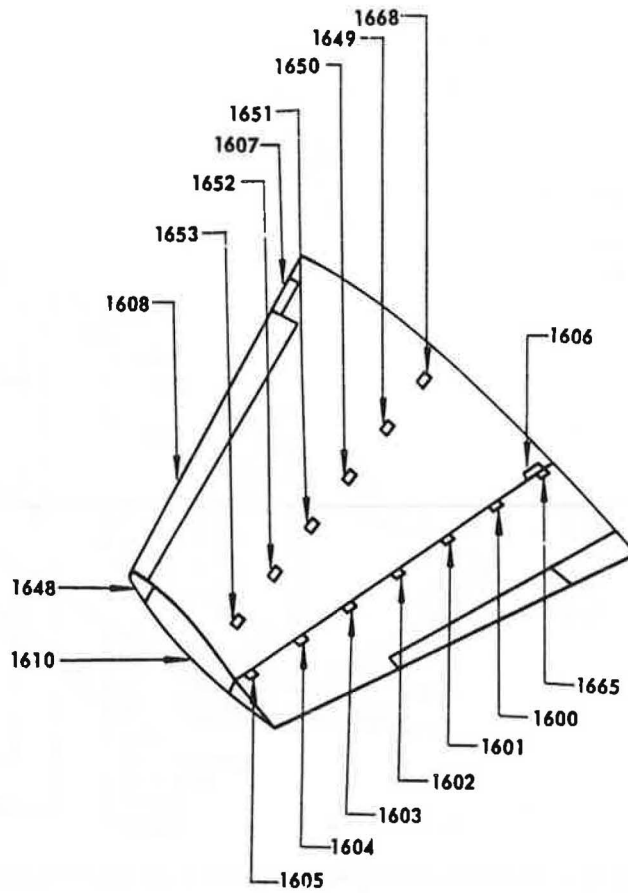
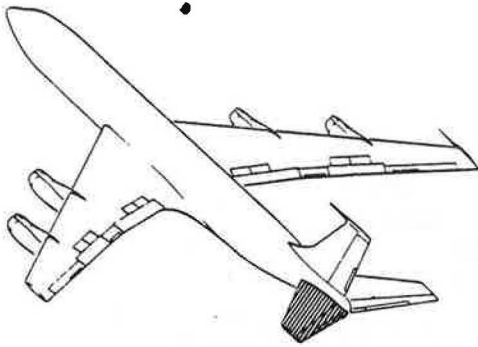
PANEL NO.	TITLE	FASTENERS
1600	ELEVATOR HINGE ACCESS PANEL	(4 NAS 514P1032-8)
1601	ELEVATOR HINGE ACCESS PANEL	(2 NAS 514P1032-8, 2 NAS 514P428-8)
1602	ELEVATOR HINGE ACCESS PANEL	(4 NAS 514P1032-8)
1603	ELEVATOR HINGE ACCESS PANEL	(2 NAS 514P1032-8, 2 NAS 514P428-8)
1604	ELEVATOR HINGE ACCESS PANEL	(2 NAS 514P1032-8)
1605	ELEVATOR HINGE ACCESS PANEL	(2 NAS 514P1032-8)
1606	ELEVATOR THRUST HINGE ACCESS PANEL	(9 NAS 517-3-4, 2 NAS 517-4-11)
1607	LEADING EDGE INBOARD ACCESS PANEL	(34 NAS 517-3-4)
1608	LEADING EDGE OUTBOARD ACCESS PANEL	(266 NAS 584-9, 8 NAS 585-12)
1609	ELEVATOR ACCESS PANEL	(35 NAS 517-3-4)
1610	STABILIZER TIP CAP	(42 NAS 517-3-7, 3 NAS 517-3-3)
1611	ELEVATOR CONTROL ROD FAIRING	(33 NAS 517-3-5)
1612	ELEVATOR TRIM TAB CONTROL ACCESS PANEL	(L-38 NAS 517-3-6, 1 NAS 517-4-5) (R-40 NAS 517-3-5, 7 NAS 517-4-6) (9 NAS 517-3-4, 2 NAS 517-4-11)
1613	ELEVATOR THRUST HINGE ACCESS PANEL	(137 NAS 517-3-7)
1614	ELEVATOR TAB CONTROL ACCESS PANEL	(187 NAS 517-3-7)
1615	ELEVATOR BALANCE PANEL	(35 NAS 517-3-5)
1616	STABILIZER FRONT SPAR INBOARD ACCESS PANEL	(30 NAS 517-3-5)
1617	STABILIZER FRONT SPAR INBOARD ACCESS PANEL	(4 NAS 514P1032-8)
1618	ELEVATOR HINGE ACCESS PANEL	(4 NAS 514P1032-8)
1619	ELEVATOR HINGE ACCESS PANEL	(4 NAS 514P1032-8)
1620	ELEVATOR HINGE ACCESS PANEL	(4 NAS 514P1032-8)
1621	ELEVATOR HINGE ACCESS PANEL	(4 NAS 514P1032-8)
1622	ELEVATOR HINGE ACCESS PANEL	(4 NAS 514P1032-8)
1623	ELEVATOR HINGE ACCESS PANEL	(4 NAS 514P1032-8)
1624	ELEVATOR BALANCE PANEL	(128 NAS 517-3-6)
1625	ELEVATOR BALANCE PANEL	(103 NAS 517-3-5)
1626	ELEVATOR BALANCE PANEL	(84 NAS 517-3-5)
1627	ELEVATOR BALANCE PANEL	(69 NAS 517-3-5)

6
Feb 15/63

Stabilizer and Elevator Access Panels
Figure 5 (Sheet 1 of 2)

12-2-0
Page 25

BOEING *Intercontinental* 
MAINTENANCE MANUAL



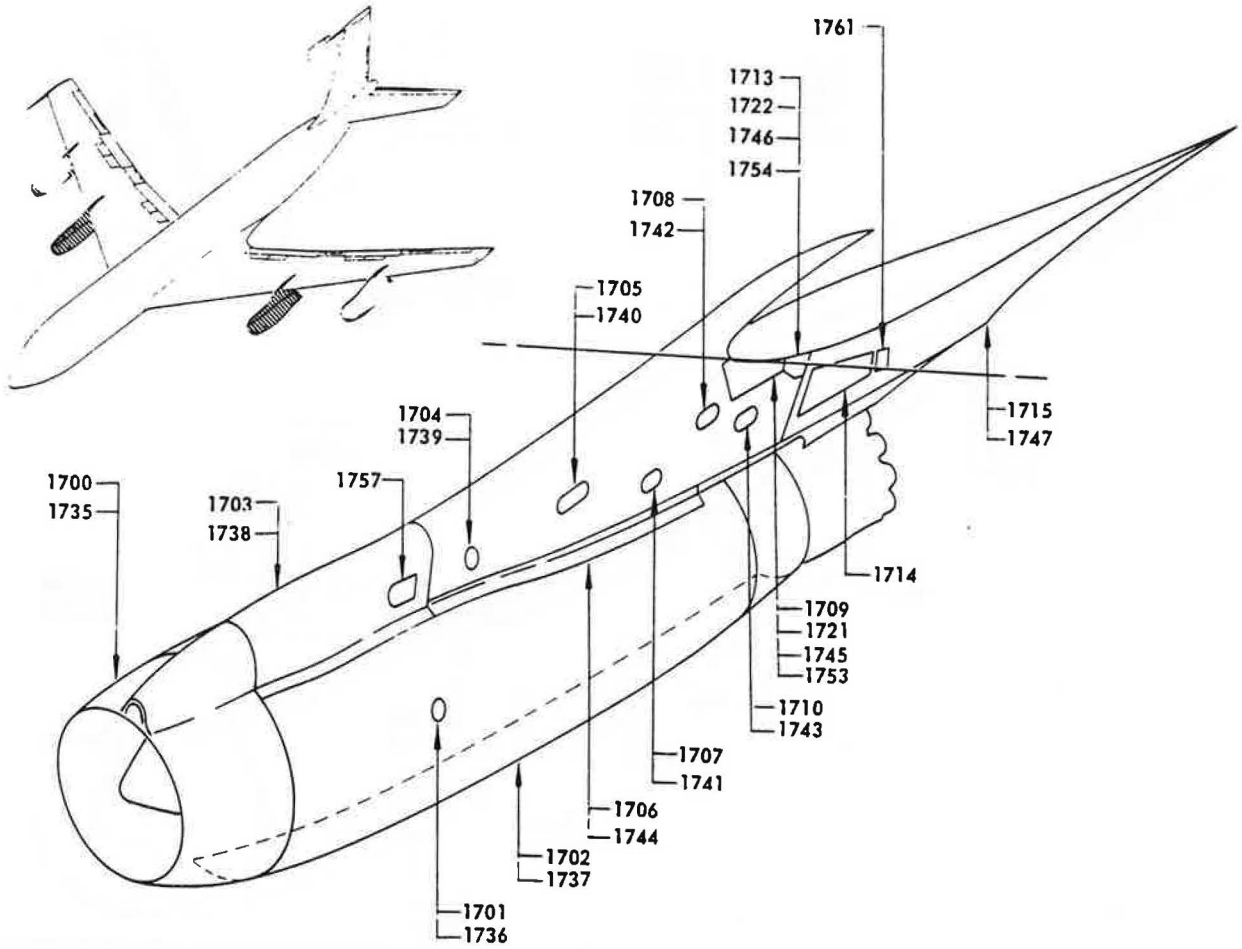
PANEL NO.	TITLE	FASTENERS
1628	ELEVATOR BALANCE PANEL	(62 NAS 517-3-5, 8 NAS 517-3-7)
1629	ELEVATOR TAB CONTROL ACCESS PANEL	(32 NAS 517-3-7)
1630	INSPECTION PANEL	(6 NAS 517-3-0)
1631	INSPECTION PANEL	(6 NAS 517-3-0)
1632	INSPECTION PANEL	(6 NAS 517-3-0)
1633	INSPECTION PANEL	(6 NAS 517-3-0)
1634	INSPECTION PANEL	(6 NAS 517-3-0)
1635	INSPECTION PANEL	(6 NAS 517-3-0)
1648	STABILIZER TIP LEADING EDGE	(11 NAS 517-3-3, 2 NAS 517-3-12)
1649	INSPECTION PANEL	(6 NAS 517-3-0)
1650	INSPECTION PANEL	(6 NAS 517-3-0)
1651	INSPECTION PANEL	(6 NAS 517-3-0)
1652	INSPECTION PANEL	(6 NAS 517-3-0)
1653	INSPECTION PANEL	(6 NAS 517-3-0)
1654	INSPECTION PANEL	(6 NAS 517-3-0)
1655	INSPECTION PANEL	(6 NAS 517-3-0)
1656	INSPECTION PANEL	(6 NAS 517-3-0)
1657	INSPECTION PANEL	(6 NAS 517-3-0)
1658	INSPECTION PANEL	(6 NAS 517-3-0)
1659	INSPECTION PANEL	(6 NAS 517-3-0)
1660	INSPECTION PANEL	(6 NAS 517-3-0)
1661	INSPECTION PANEL	(6 NAS 517-3-0)
1662	INSPECTION PANEL	(6 NAS 517-3-0)
1665	ELEVATOR HINGE ACCESS PANEL	(4 NAS 514P1032-8)
1666	ELEVATOR HINGE ACCESS PANEL	(3 NAS 514P1032-8)
1667	INSPECTION PANEL	(6 NAS 517-3-0)
1668	INSPECTION PANEL	(6 NAS 517-3-0)
1669	ELEVATOR INSPECTION PANEL	(6 NAS 514P1032-8)
1670	ELEVATOR INSPECTION PANEL	(6 NAS 514P1032-8)

EFFECTIVITY

TURBOJET



MAINTENANCE MANUAL



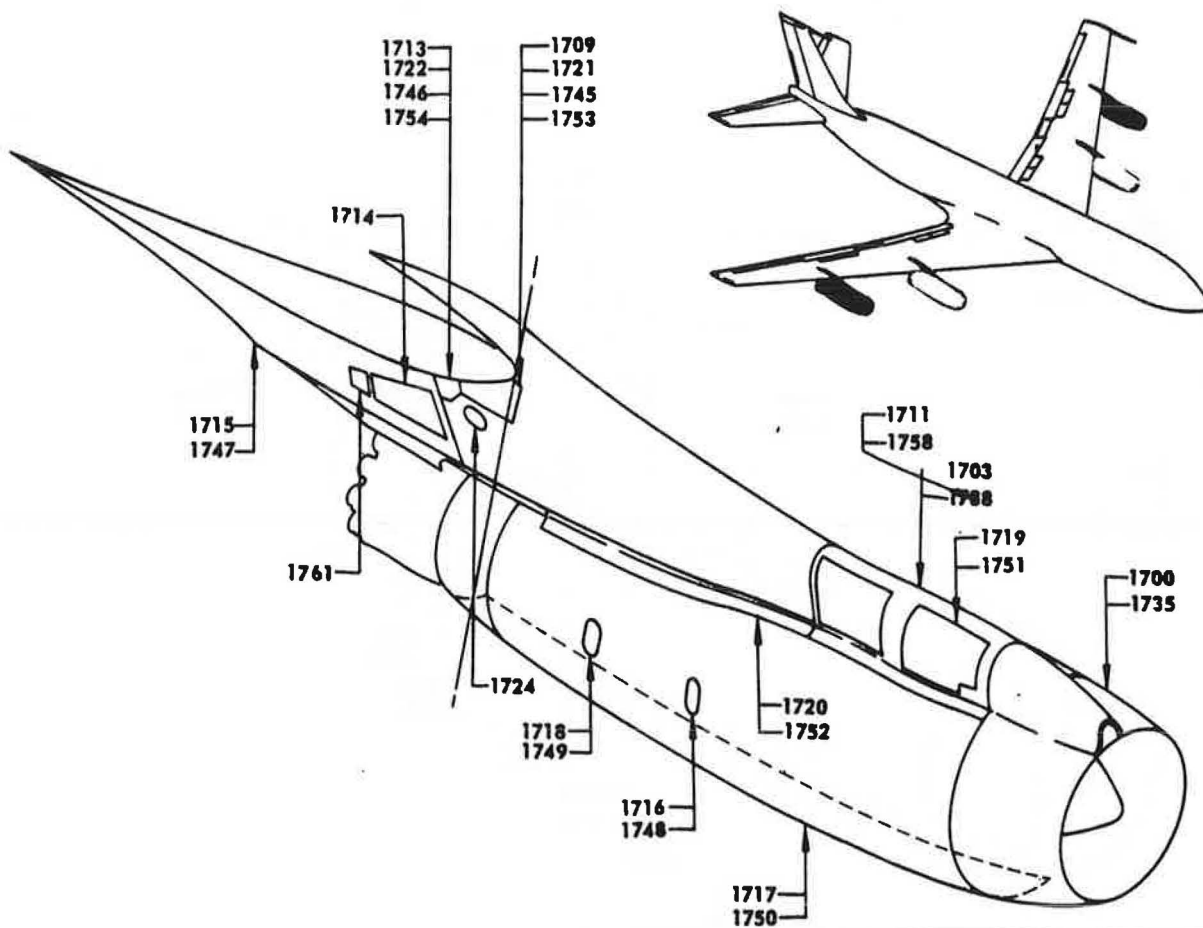
PANEL NO.	TITLE	FASTENERS
1700	NAC 2 AND 3 ENGINE NOSE COWL	(14 66-1782 BOLTS)
1701	NAC 2 AND 3 ENGINE OIL TANK ACCESS PANEL	(*)
1702	NAC 2 AND 3 LEFT COWL PANEL	(7 LATCHES)
1703	NAC 2 AND 3 FORWARD FAIRING	(*)
1704	NAC 2 AND 3 STRUT ACCESS PANEL	(*)
1705	NAC 2 AND 3 STRUT ACCESS PANEL	(*)
1706	NAC 2 AND 3 MID FAIRING	(10 NAS 517-3-2, 9 AN4-5A)
1707	NAC 2 AND 3 STRUT ACCESS PANEL	(*)
1708	NAC 2 AND 3 STRUT ACCESS PANEL	(*)
1709	NAC 2 AND 3 STRUT TO WING ACCESS PANEL	(*)
1710	NAC 2 AND 3 STRUT ACCESS PANEL	(*)
1711	NAC 2 AND 3 TURBOCOMPRESSOR ACCESS PANEL	(*)
1713	NAC 3 STRUT FITTING ACCESS PANEL	(4 NAS 514P1032-8, *)
1713	NAC 2 STRUT FITTING ACCESS PANEL	(5 NAS 514P1032-8)
1714	NAC 3-FIRE EXTINGUISHER ACCESS PANEL	(*)
1715	NAC 2 AND 3 STRUT TRAILING EDGE FAIRING	(57 NAS 517-3-3)
1716	NAC 2 AND 3 FORWARD GROUND FIRE EXTINGUISHING ACCESS PANEL	(CLIPPED)
1717	NAC 2 AND 3 RIGHT COWL PANEL	(7 LATCHES)
1718	NAC 2 AND 3 AFT-GROUND FIRE EXTINGUISHING ACCESS PANEL	(CLIPPED)
1719	NAC 2 AND 3 TURBOCOMPRESSOR OIL SERVICING ACCESS PANEL	(*)
1720	NAC 2 AND 3 MID FAIRING	(10 NAS 517-3-2, 9 AN4-5A)
1721	NAC 2 STRUT TO WING ACCESS PANEL	(*)
1721	NAC 3 STRUT TO WING ACCESS PANEL	(*)
1722	NAC 2 STRUT FITTING ACCESS PANEL	(4 NAS 514P1032-8, *)
1722	NAC 3 STRUT FITTING ACCESS PANEL	(5 NAS 514P1032-8)
1724	NAC 2 AND 3 STRUT ACCESS PANEL	(*)

* QUICK RELEASE FASTENERS

6
Feb.15/63

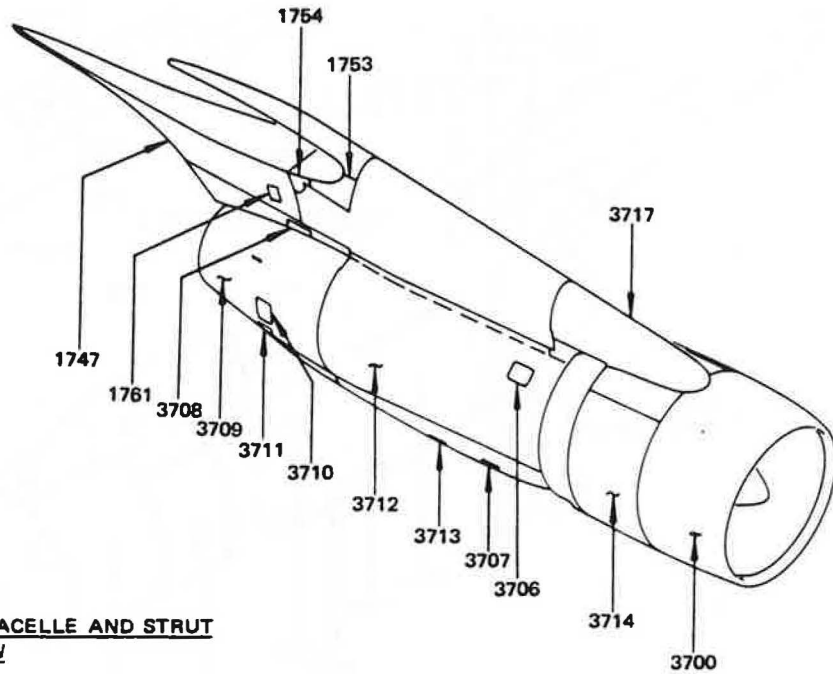
Nacelle Access Panels
Figure 6 (Sheet 1 of 5)

12-2-0
Page 27

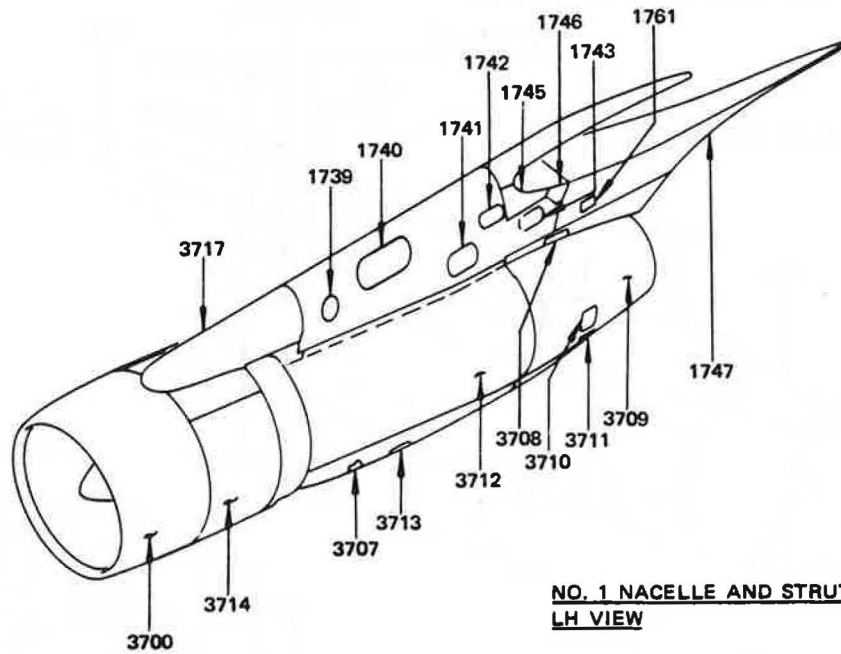


PANEL NO.	TITLE	FASTENERS
1735	NAC 1 AND 4 ENGINE NOSE COWL	(14 66-1782 BOLTS)
1736	NAC 1 AND 4 ENGINE OIL TANK ACCESS PANEL	(*)
1737	NAC 1 AND 4 LEFT COWL PANEL	(7 LATCHES)
1738	NAC 1 AND 4 FORWARD FAIRING	(*)
1739	NAC 1 AND 4 STRUT ACCESS PANEL	(*)
1740	NAC 1 AND 4 STRUT ACCESS PANEL	(*)
1741	NAC 1 AND 4 STRUT ACCESS PANEL	(*)
1742	NAC 1 AND 4 STRUT ACCESS PANEL	(*)
1743	NAC 1 AND 4 STRUT ACCESS PANEL	(*)
1744	NAC 1 AND 4 MID FAIRING	(10 NAS 517-3-2, 9 AN4-5A)
1745	NAC 1 STRUT TO WING ACCESS PANEL	(*)
1745	NAC 4 STRUT TO WING ACCESS PANEL	(*)
1746	NAC 1 STRUT FITTING ACCESS PANEL	(5 NAS 514P1032-8)
1746	NAC 4 STRUT FITTING ACCESS PANEL	(4 NAS 514P1032-8, *)
1747	NAC 1 AND 4 STRUT TRAILING EDGE FAIRING	(42 NAS 517-3-3)
1748	NAC 1 AND 4 FORWARD GROUND FIRE EXTINGUISHING ACCESS PANEL	(CLIPPED)
1749	NAC 1 AND 4 AFT GROUND FIRE EXTINGUISHING ACCESS PANEL	(CLIPPED)
1750	NAC 1 AND 4 RIGHT COWL PANEL	(7 LATCHES)
1751	NAC 1 AND 4 TURBOCOMPRESSOR OIL SERVICING ACCESS PANEL	(*)
1752	NAC 1 AND 4 MID FAIRING	(10 NAS 517-3-2, 9 AN4-5A)
1753	NAC 1 STRUT TO WING ACCESS PANEL	(*)
1753	NAC 4 STRUT TO WING ACCESS PANEL	(*)
1754	NAC 1 STRUT FITTING ACCESS PANEL	(4 NAS 514P1032-8, *)
1754	NAC 4 STRUT FITTING ACCESS PANEL	(5 NAS 514P1032-8)
1757	NAC 1 ONLY EXHAUST DUCT FILLER PANEL	(*)
1758	NAC 1 AND 4 TURBOCOMPRESSOR ACCESS PANEL	(*)
1761	NAC 4 STRUT TRAILING EDGE ACCESS PANEL	(4 AN 507C524R-8)

* QUICK RELEASE FASTENERS



NO. 1 NACELLE AND STRUT
RH VIEW



NO. 1 NACELLE AND STRUT
LH VIEW

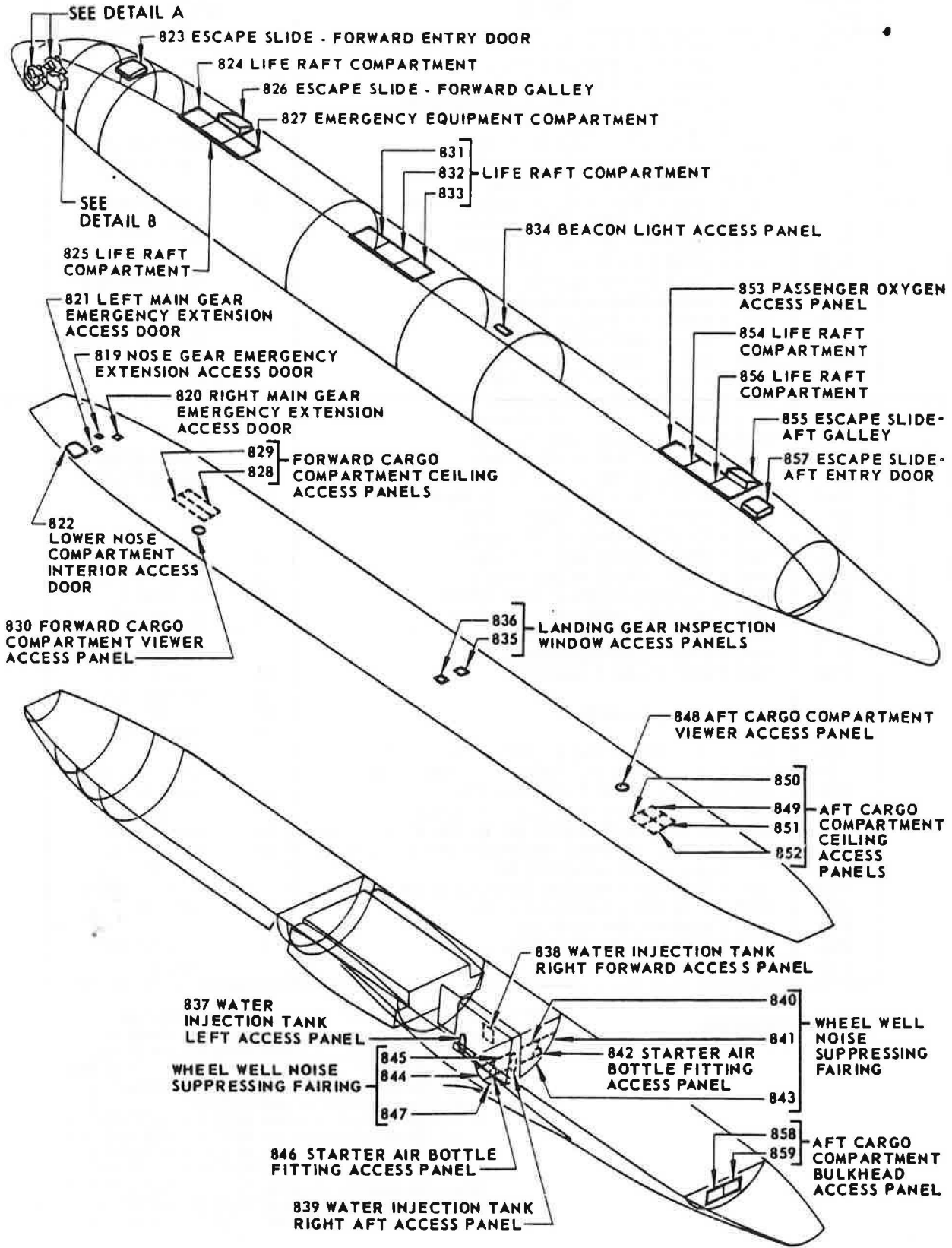
MAINTENANCE MANUAL

PANEL NO.	TITLE	FASTENERS
1705	NAC 2 AND 3 STRUT ACCESS PANEL	(*)
1707	NAC 2 AND 3 STRUT ACCESS PANEL	(*)
1708	NAC 2 AND 3 STRUT ACCESS PANEL	(*)
1709	NAC 2 AND 3 STRUT TO WING ACCESS PANEL	(*)
1710	NAC 2 AND 3 STRUT ACCESS PANEL	(*)
2 1713	NAC 3 STRUT FITTING ACCESS PANEL	4 NAS514P1032-8*
2 1713	NAC 2 STRUT FITTING ACCESS PANEL	5 NAS514P1032-8
2 1714	FIRE EXTINGUISHER ACCESS PANEL	(*)
2 1715	NAC 2 AND 3 STRUT TRAILING EDGE FAIRING	57 NAS517-3-3
1721	NAC 2 STRUT TO WING ACCESS PANEL	(*)
2 1721	NAC 3 STRUT TO WING ACCESS PANEL	(*)
2 1722	NAC 2 STRUT FITTING ACCESS PANEL	4 NAS514P1032-8*
2 1722	NAC 3 STRUT FITTING ACCESS PANEL	5 NAS514P1032-8
1724	NAC 2 AND 3 STRUT ACCESS PANEL	(*)
1739	NAC 1 AND 4 STRUT ACCESS PANEL	(*)
1740	NAC 1 AND 4 STRUT ACCESS PANEL	(*)
1741	NAC 1 AND 4 STRUT ACCESS PANEL	(*)
1742	NAC 1 AND 4 STRUT ACCESS PANEL	(*)
1743	NAC 1 AND 4 STRUT ACCESS PANEL	(*)
1745	NAC 1 STRUT TO WING ACCESS PANEL	(*)
1745	NAC 4 STRUT TO WING ACCESS PANEL	(*)
2 1746	NAC 1 STRUT FITTING ACCESS PANEL	5 NAS514P1032-8
2 1746	NAC 4 STRUT FITTING ACCESS PANEL	4 NAS514P1032-8*
2 1747	NAC 1 AND 4 STRUT TRAILING EDGE FAIRING	42 NAS517-3-3
2 1753	NAC 1 STRUT TO WING ACCESS PANEL	(*)
1753	NAC 4 STRUT TO WING ACCESS PANEL	(*)
1754	NAC 1 STRUT FITTING ACCESS PANEL	4 NAS514P1032-8*
2 1754	NAC 4 STRUT FITTING ACCESS PANEL	5 NAS514P1032-8
1 3700	NAC 1, 2, 3 AND 4 ENGINE NOSE COWL	20 66-12864-1
3701	NAC 2 AND 3 FORWARD INLET FAIRING	6 MS200004H9
3702	NAC 2 AND 3 OIL ACCESS DOOR	(*)
3703	NAC 2 AND 3 FORWARD FAIRING	LATCHES
3704	NAC 2 AND 3 SADDLE FAIRING	17 NAS517-3-2
		3 NAS517-3-3
3705	NAC 4 SADDLE FAIRING	15 NAS517-3-2
		4 NAS517-3-3
3706	NAC 1, 2, 3, AND 4, ENGINE OIL ACCESS DOOR	(*)
3707	NAC 1, 2, 3, AND 4, ENGINE SURGE BLEED DOOR	SPRING LOADED
3708	NAC 1, 2, 3, AND 4 AFT ACCESS DOOR	16 NAS517-3-2
3709	NAC 1, 2, 3, AND 4 THRUST REVERSER SLEEVE	MECHANICAL
3710	NAC 1, 2, 3, AND 4 THRUST REVERSER SIDE ACCESS DOOR	16 NAS517-3-3
3711	NAC 1, 2, 3, AND 4 THRUST REVERSER LWR ACCESS DOOR	16 NAS517-3-2
3712	NAC 1, 2, 3, AND 4 AFT COWL PANEL	LATCHES
3713	NAC 1, 2, 3, AND 4 PRESSURE VENTING DOOR	SPRING LOADED
3714	NAC 1, 2, 3, AND 4 FWD COWL PANEL	LATCHES
3715	NAC 1 AND 4 INTERPHONE JACK	
3716	NAC 2 AND 3 STRUT ACCESS PANEL	5 NAS514P428-8
3717	NAC 1 FORWARD FAIRING	LATCHES

1 BACK DRAWING
* QUICK RELEASE

2 ON AIRPLANES WITH STRAP NOTE THE FOLLOWING:
 PANEL 1746 (NACELLE 1) - STRAP FASTENER: NAS517-3-5
 PANEL 1747 (NACELLE 1) - STRAP FASTENER: NAS517-3-5
 PANEL 1753 (NACELLE 1) - STRAP FASTENER: QUICK RELEASE
 PANEL 1713 (NACELLE 2) - STRAP FASTENER: NAS517-3-5
 PANEL 1715 (NACELLE 2) - STRAP FASTENER: NAS517-3-5
 PANEL 1722 (NACELLE 2) - STRAP FASTENER: QUICK RELEASE
 PANEL 1722 (NACELLE 3) - STRAP FASTENER: QUICK RELEASE
 PANEL 1715 (NACELLE 3) - STRAP FASTENER: NAS517-3-5
 PANEL 1713 (NACELLE 3) - STRAP FASTENER: NAS517-3-5
 PANEL 1754 (NACELLE 4) - STRAP FASTENER: QUICK RELEASE
 PANEL 1747 (NACELLE 4) - STRAP FASTENER: NAS517-3-5
 PANEL 1746 (NACELLE 4) - STRAP FASTENER: NAS517-3-5

MAINTENANCE MANUAL



Interior Access Panels and Doors
Figure 7 (Sheet 1)

